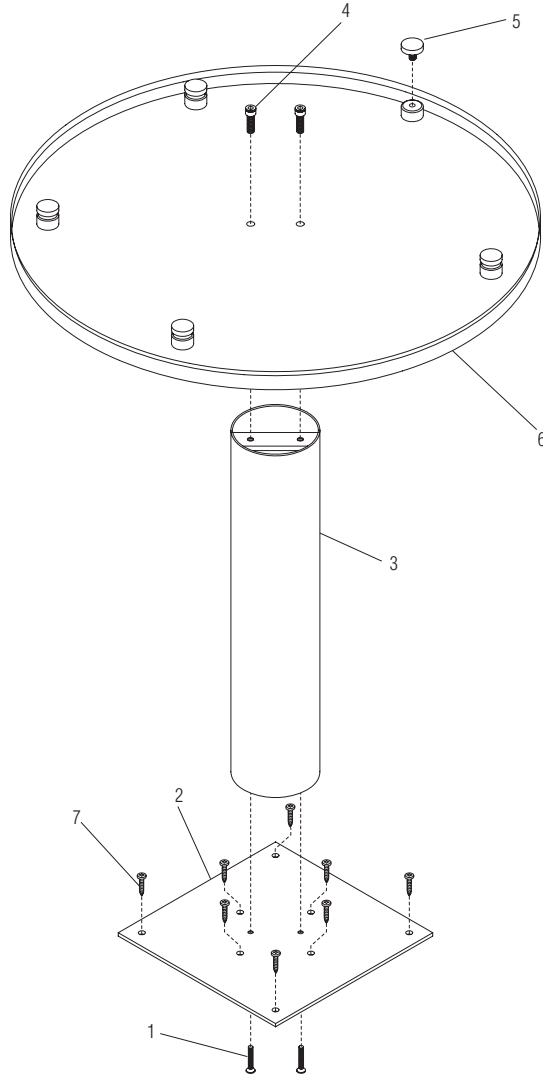


Parts Diagram ■

Athens Table

Models ATH4 & ATH5

October 2018



.XX = Select Color

***Note:** Item 6 (part #52.0420.BXX, 52.0424.BXX and 52.0432.BXX) includes all items except Item 3, the column.

Item	Part Number	Quantity	Item Description	Item	Part Number	Quantity	Item Description
1	52.1020	2	Screw, $\frac{5}{16}$ " - 18 x 1 $\frac{1}{2}$ ", Flat Head Socket	4	52.1021	2	Screw, $\frac{5}{16}$ " - 18 x 1 $\frac{1}{4}$ ", Flange Head Socket
2	52.0251.BL	1	Plate, 4" Column 12" x 12" Mounting	5	52.0263	5	Glide, $\frac{5}{16}$ " - 16 x 1 $\frac{1}{2}$ ", Leveler
3	52.0429.CXX	1	4" Column, 26 $\frac{1}{4}$ " Long	6	52.0420.BXX	1	Kit, 20" Disk Base, 4" Column
	52.0442.CXX	1	4" Column, 39 $\frac{1}{4}$ " Long		52.0424.BXX	1	Kit, 24" Disk Base, 4" Column
	52.0529.CXX	1	5" Column, 26 $\frac{1}{4}$ " Long		52.0432.BXX	1	Kit, 32" Disk Base, 4" Column
	52.0542.CXX	1	5" Column, 39 $\frac{1}{4}$ " Long	7	52.1017	1	Kit, 8-Pack, #12 x 1" Screws