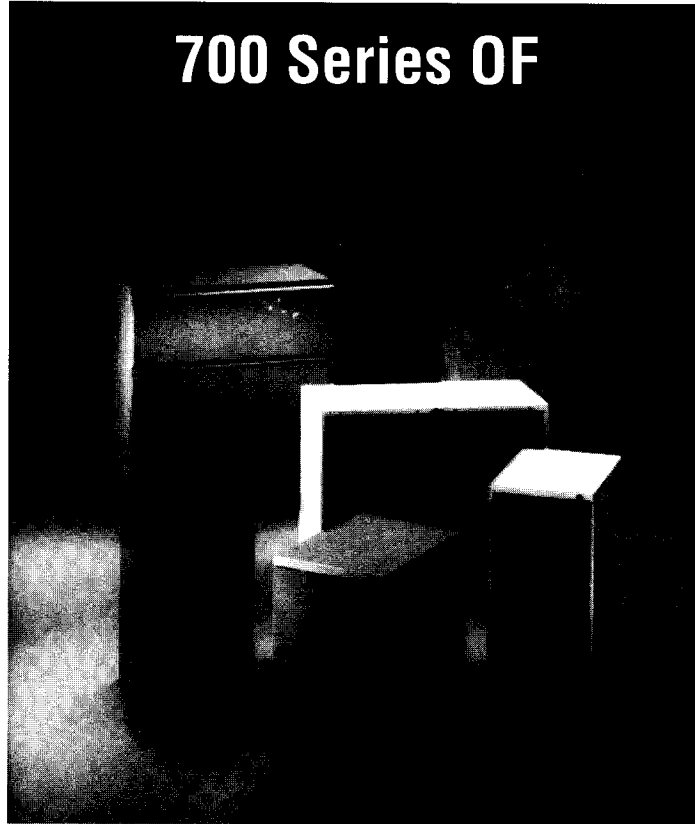


# Parts Diagrams

## 700 Series OF

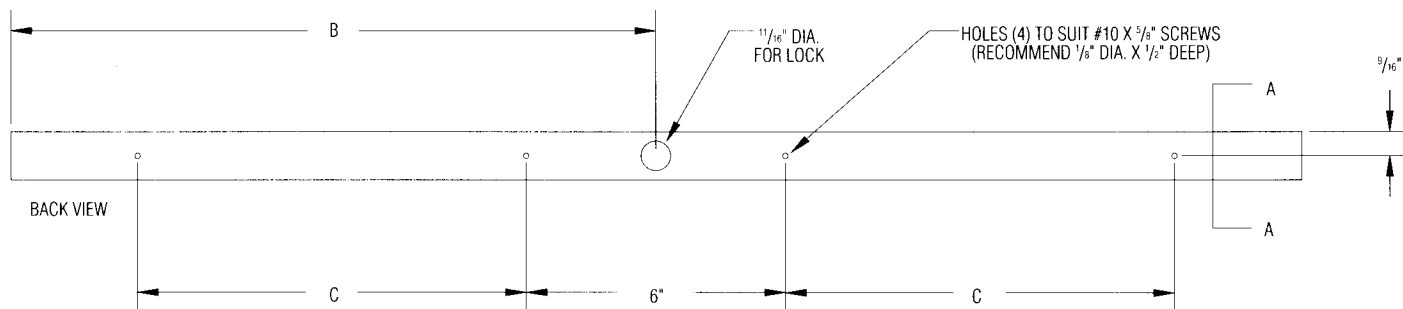
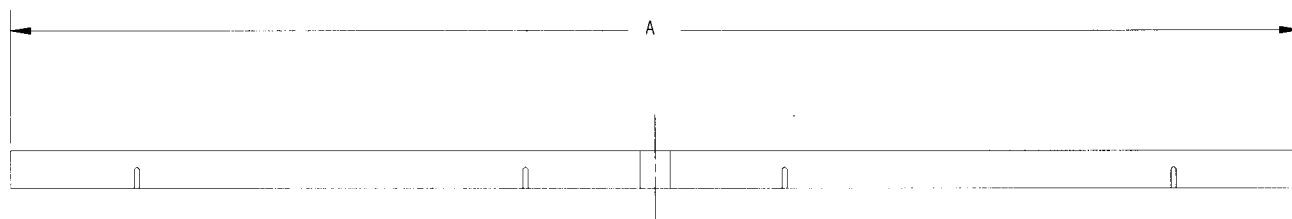


# Contents

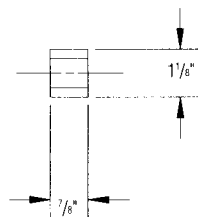
---

<b>Lateral Files</b>	Lateral File Filler Rail	2
	Lateral File Drawer Fronts	3
<hr/>		
<b>Cabinets</b>	Cabinet Doors	12
<hr/>		
<b>Pedestals</b>	Pedestal Filler Rail	21
	Pedestal Drawer Fronts	22
<hr/>		

# Lateral Filler Rail



## Section AA



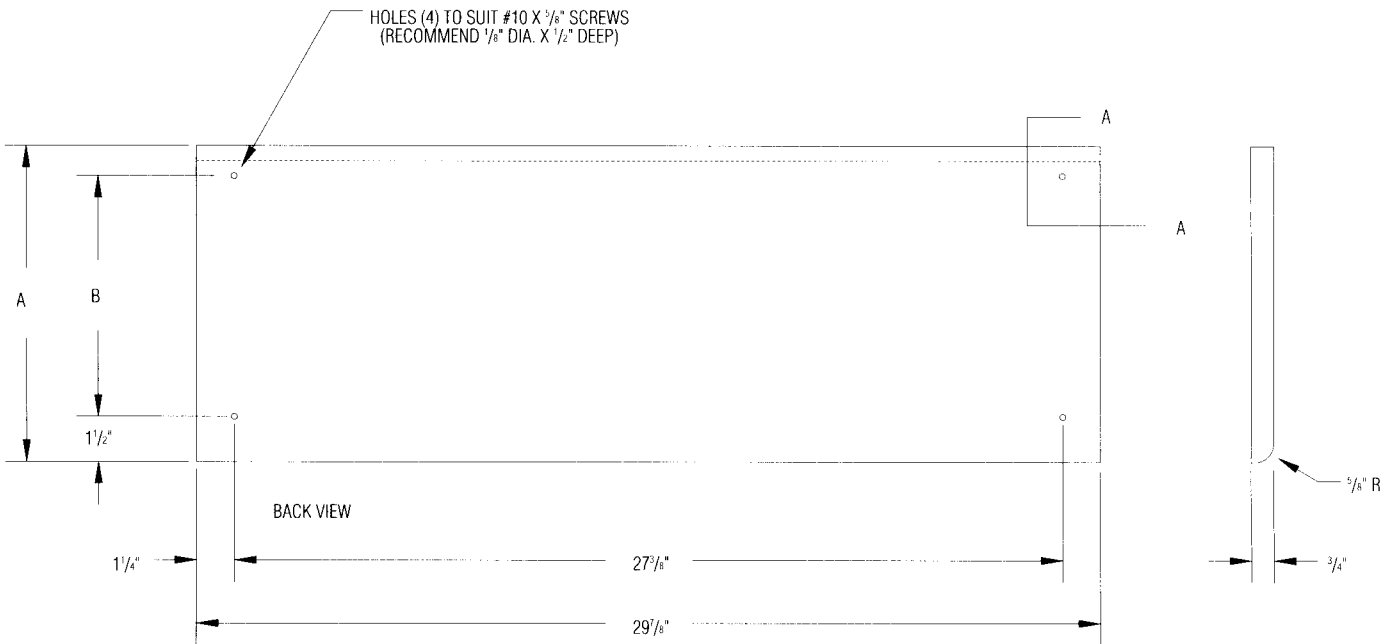
Cabinet Width	Dim. A	Dim. B	Dim. C
42"	41 7/8"	20 15/16"	15"
36"	35 7/8"	17 15/16"	12"
30"	29 7/8"	14 15/16"	9"

### Recommended Laminating Sequence

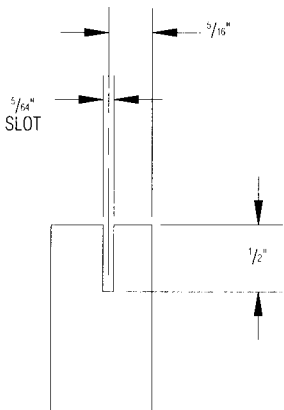
- Apply Backer
- Apply Sides
- Apply Top and Bottom
- Apply Front

**Note:** Dimensions shown are for laminated parts.

# Lateral Drawer Front



## Section AA



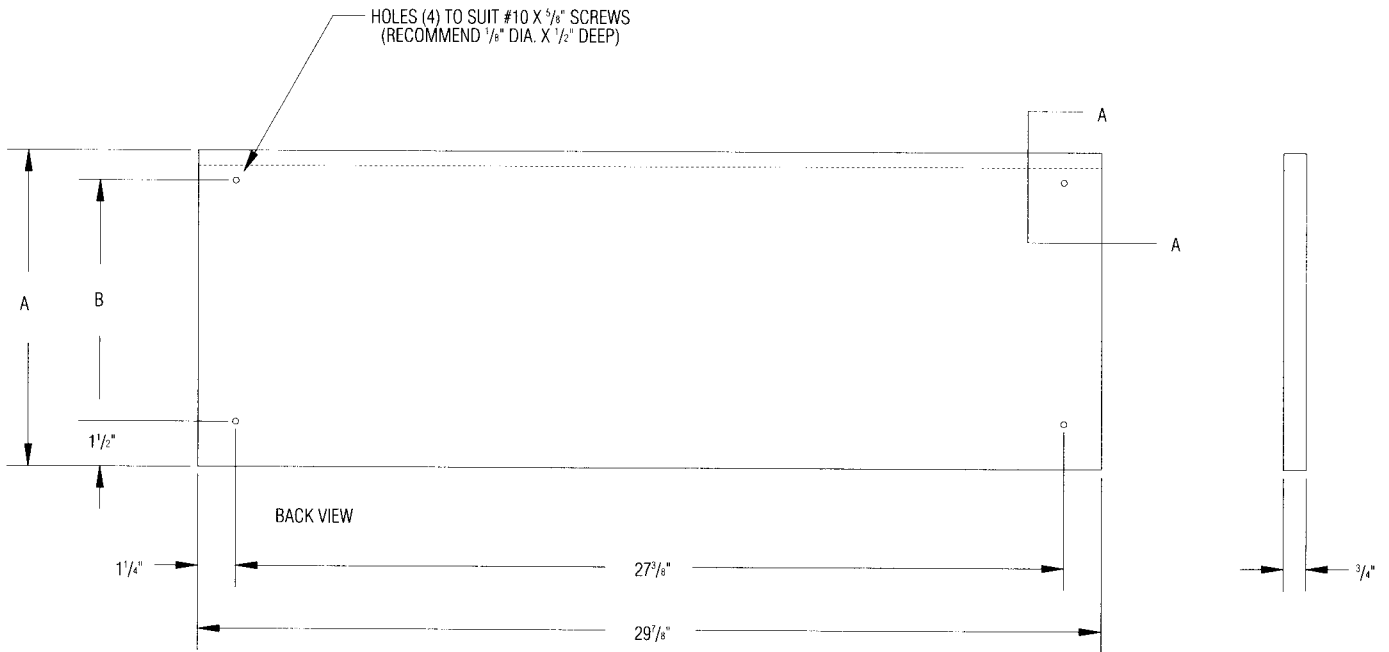
Nominal Drawer Front Height	Dim. A	Dim. B
15"	13 <sup>9</sup> / <sub>16</sub> "	8"
13 1/2"	12 <sup>1</sup> / <sub>32</sub> "	8"
12"	10 1/2"	8"
10 1/2"	8 <sup>31</sup> / <sub>32</sub> "	6 <sup>15</sup> / <sub>32</sub> "
9"	7 <sup>7</sup> / <sub>16</sub> "	4 <sup>15</sup> / <sub>16</sub> "
6"	4 <sup>3</sup> / <sub>8</sub> "	1 <sup>7</sup> / <sub>8</sub> "

### Recommended Laminating Sequence

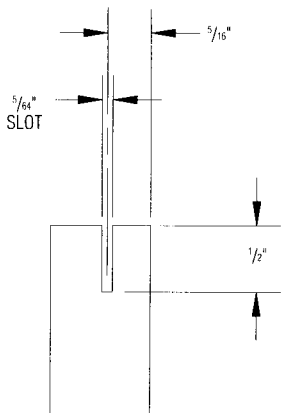
- Apply Backer
- Apply Sides
- Apply Front and Bottom

**Note:** Dimensions shown are for laminated parts. Slots fit KI's full width pull.

# Lateral Drawer Front



## Section AA



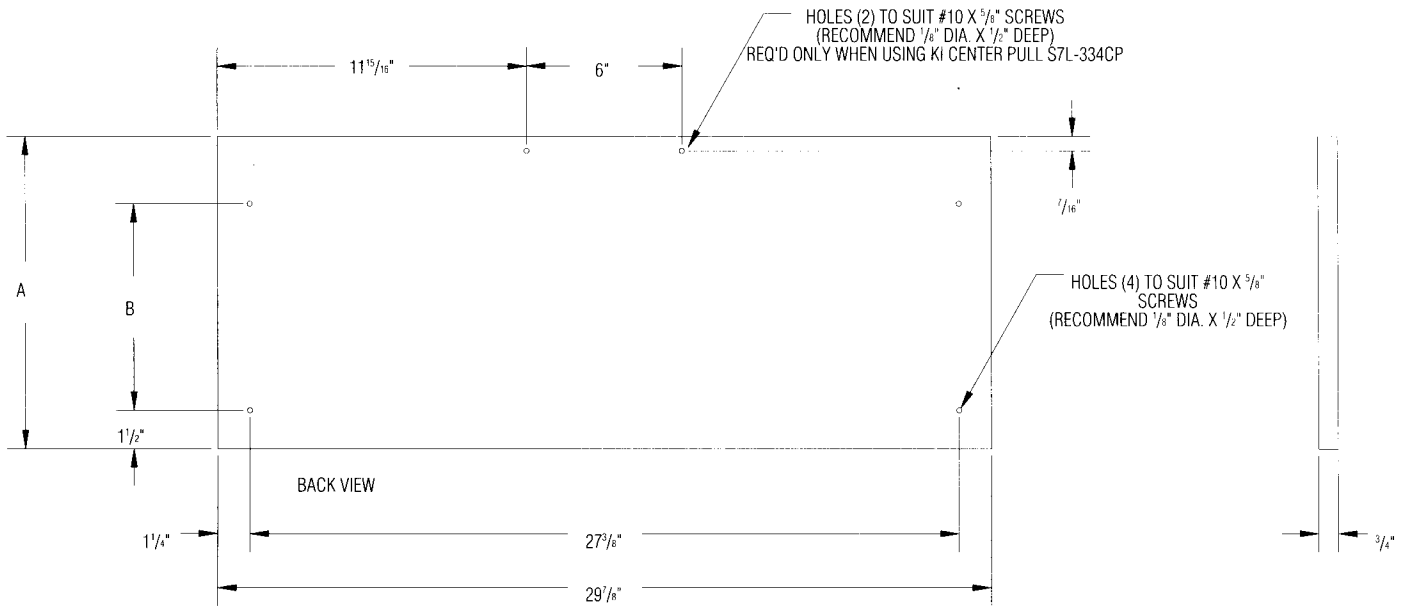
Nominal Drawer Front Height	Dim. A	Dim. B
15"	13 <sup>9</sup> / <sub>16</sub> "	8"
13 1/2"	12 <sup>1</sup> / <sub>32</sub> "	8"
12"	10 1/2"	8"
10 1/2"	8 <sup>31</sup> / <sub>32</sub> "	6 <sup>15</sup> / <sub>32</sub> "
9"	7 <sup>7</sup> / <sub>16</sub> "	4 <sup>15</sup> / <sub>16</sub> "
6"	4 <sup>3</sup> / <sub>8</sub> "	1 <sup>7</sup> / <sub>8</sub> "

### Recommended Laminating Sequence

- Apply Backer
- Apply Sides
- Apply Top and Bottom
- Apply Front

**Note:** Dimensions shown are for laminated parts. Slots fit KI's full width pull.

# Lateral Drawer Front



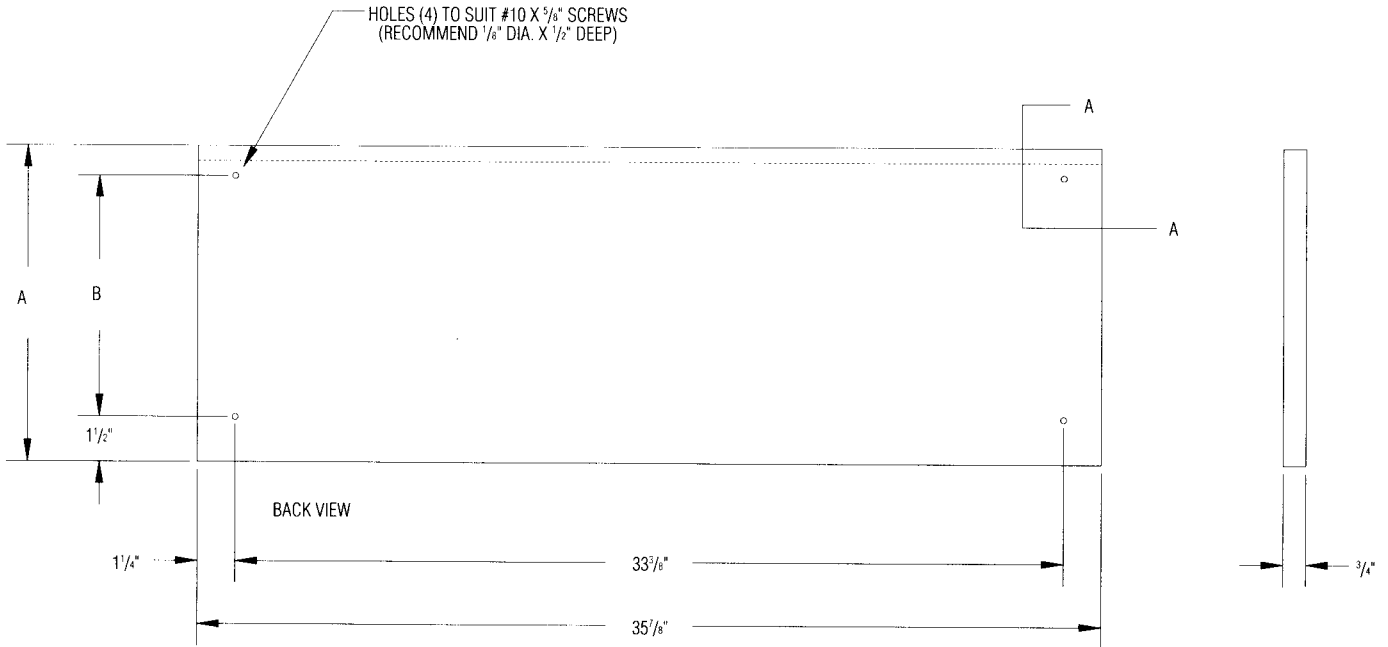
Nominal Drawer Front Height	Dim. A	Dim. B
15"	$15\frac{3}{16}"$	8"
$13\frac{1}{2}"$	$13\frac{21}{32}"$	8"
12"	$12\frac{1}{8}"$	8"
$10\frac{1}{2}"$	$10\frac{19}{32}"$	$6\frac{15}{32}"$
9"	$9\frac{1}{16}"$	$4\frac{15}{16}"$
6"	6"	$1\frac{7}{8}"$

### Recommended Laminating Sequence

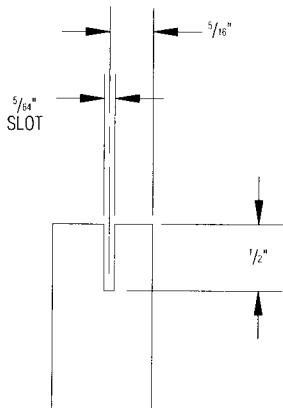
- Apply Backer
- Apply Sides
- Apply Top and Bottom
- Apply Front

**Note:** Dimensions shown are for laminated parts. Slots fit KI's full width pull.

# Lateral Drawer Front



## Section AA



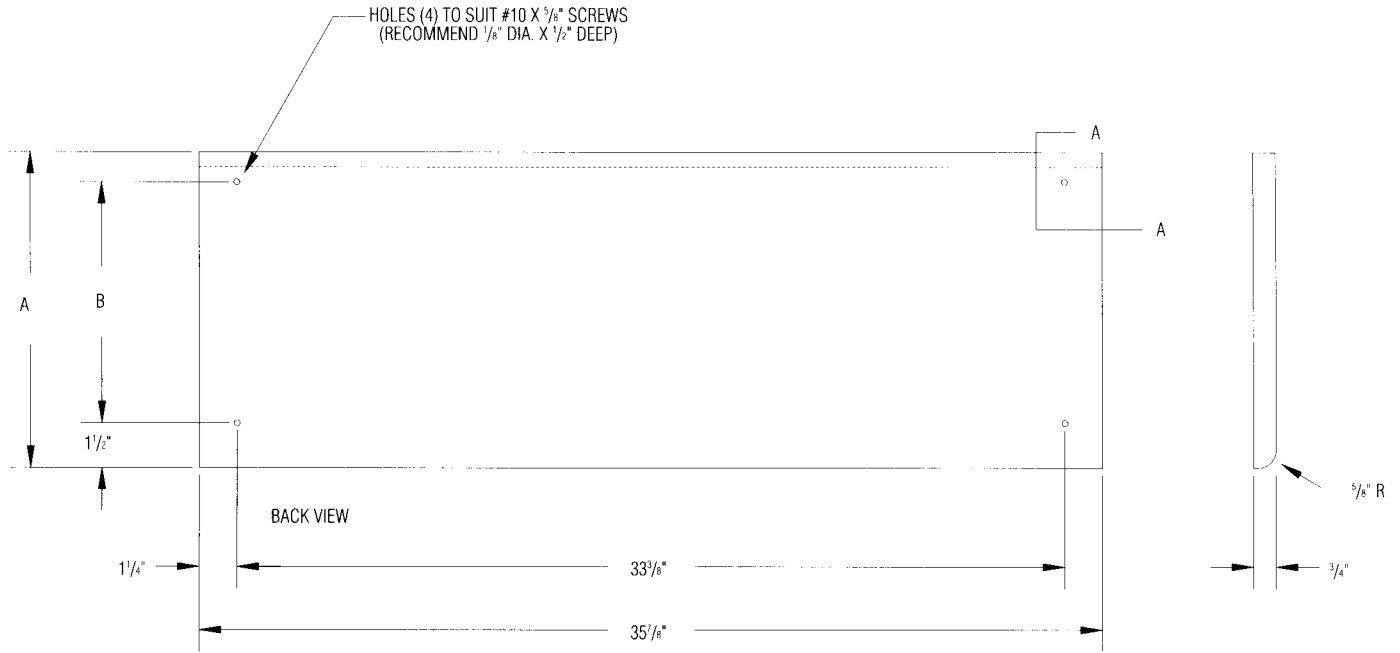
Nominal Drawer Front Height	Dim. A	Dim. B
15"	13 <sup>9</sup> / <sub>16</sub> "	8"
13 <sup>1</sup> / <sub>2</sub> "	12 <sup>1</sup> / <sub>32</sub> "	8"
12"	10 <sup>1</sup> / <sub>2</sub> "	8"
10 <sup>1</sup> / <sub>2</sub> "	8 <sup>31</sup> / <sub>32</sub> "	6 <sup>15</sup> / <sub>32</sub> "
9"	7 <sup>7</sup> / <sub>16</sub> "	4 <sup>15</sup> / <sub>16</sub> "
6"	4 <sup>3</sup> / <sub>8</sub> "	1 <sup>7</sup> / <sub>8</sub> "

### Recommended Laminating Sequence

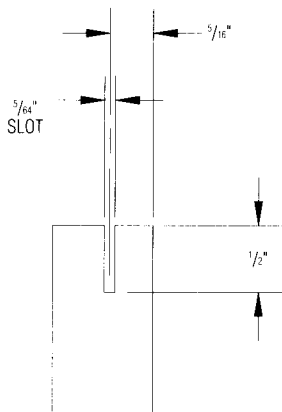
- Apply Backer
- Apply Sides
- Apply Top and Bottom
- Apply Front

**Note:** Dimensions shown are for laminated parts. Slots fit KI's full width pull.

# Lateral Drawer Front



## Section AA



Nominal Drawer Front Height	Dim. A	Dim. B
15"	13 <sup>9</sup> / <sub>16</sub> "	8"
13 1/2"	12 <sup>1</sup> / <sub>32</sub> "	8"
12"	10 <sup>1</sup> / <sub>2</sub> "	8"
10 1/2"	8 <sup>31</sup> / <sub>32</sub> "	6 <sup>15</sup> / <sub>32</sub> "
9"	7 <sup>7</sup> / <sub>16</sub> "	4 <sup>15</sup> / <sub>16</sub> "
6"	4 <sup>3</sup> / <sub>8</sub> "	1 <sup>7</sup> / <sub>8</sub> "

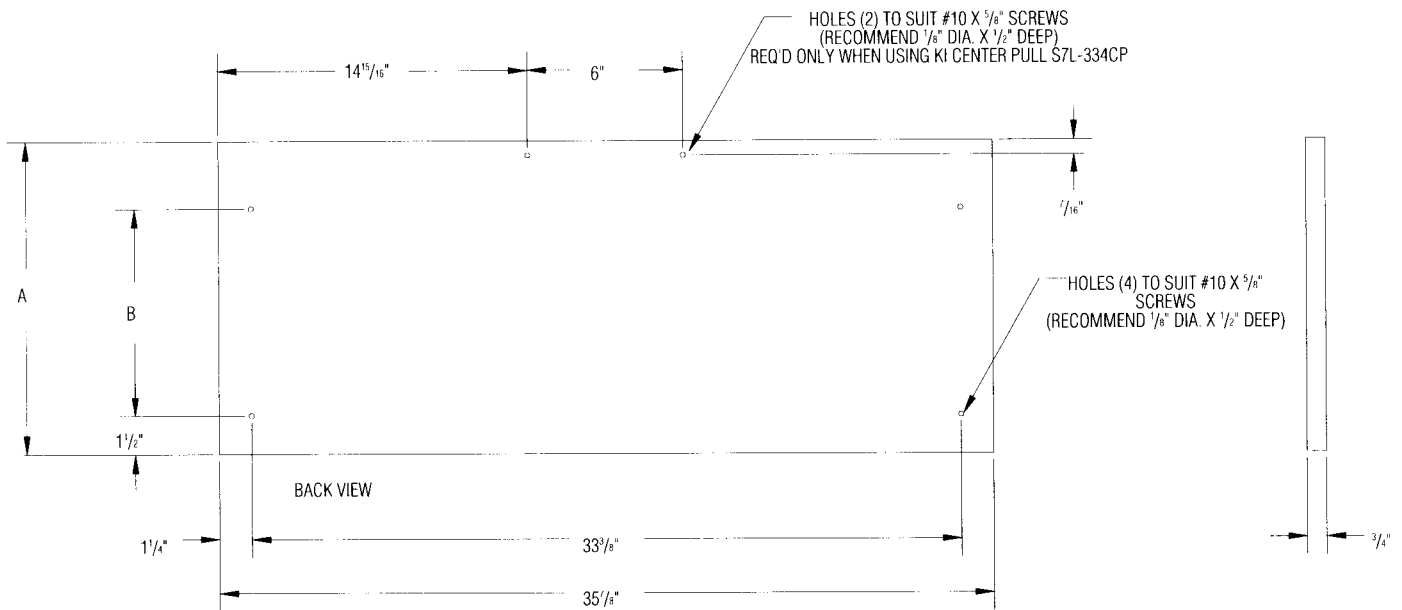
### Recommended Laminating Sequence

- Apply Backer
- Apply Sides
- Apply Front and Bottom

**Note:** Dimensions shown are for laminated parts. Slots fit KI's full width pull.



## Lateral Drawer Front



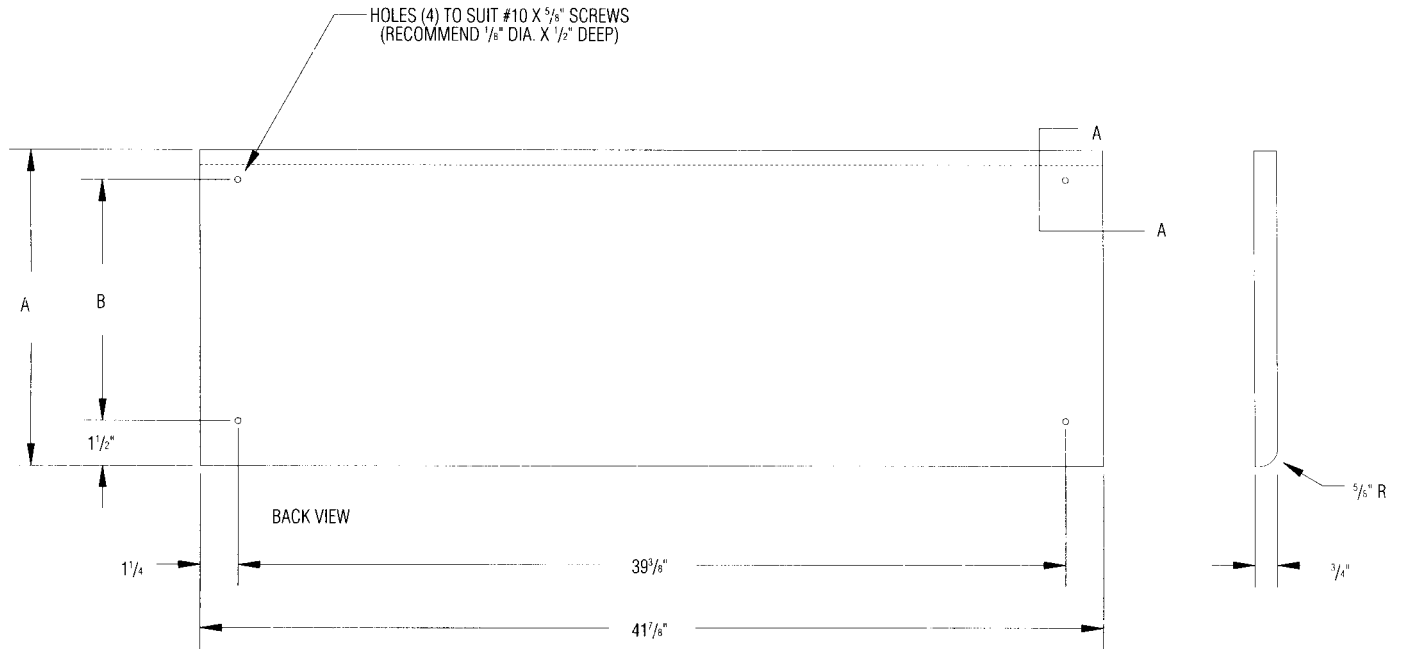
Nominal Drawer Front Height	Dim. A	Dim. B
15"	$15\frac{3}{16}"$	8"
$13\frac{1}{2}"$	$13\frac{21}{32}"$	8"
12"	$12\frac{1}{8}"$	8"
$10\frac{1}{2}"$	$10\frac{19}{32}"$	$6\frac{15}{32}"$
9"	$9\frac{1}{16}"$	$4\frac{15}{16}"$
6"	6"	$1\frac{7}{8}"$

## Recommended Laminating Sequence

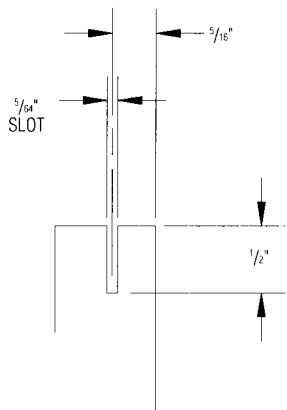
- Apply Backer
- Apply Sides
- Apply Top and Bottom
- Apply Front

**Note:** Dimensions shown are for laminated parts. Slots fit KI's full width pull.

# Lateral Drawer Front



## Section AA



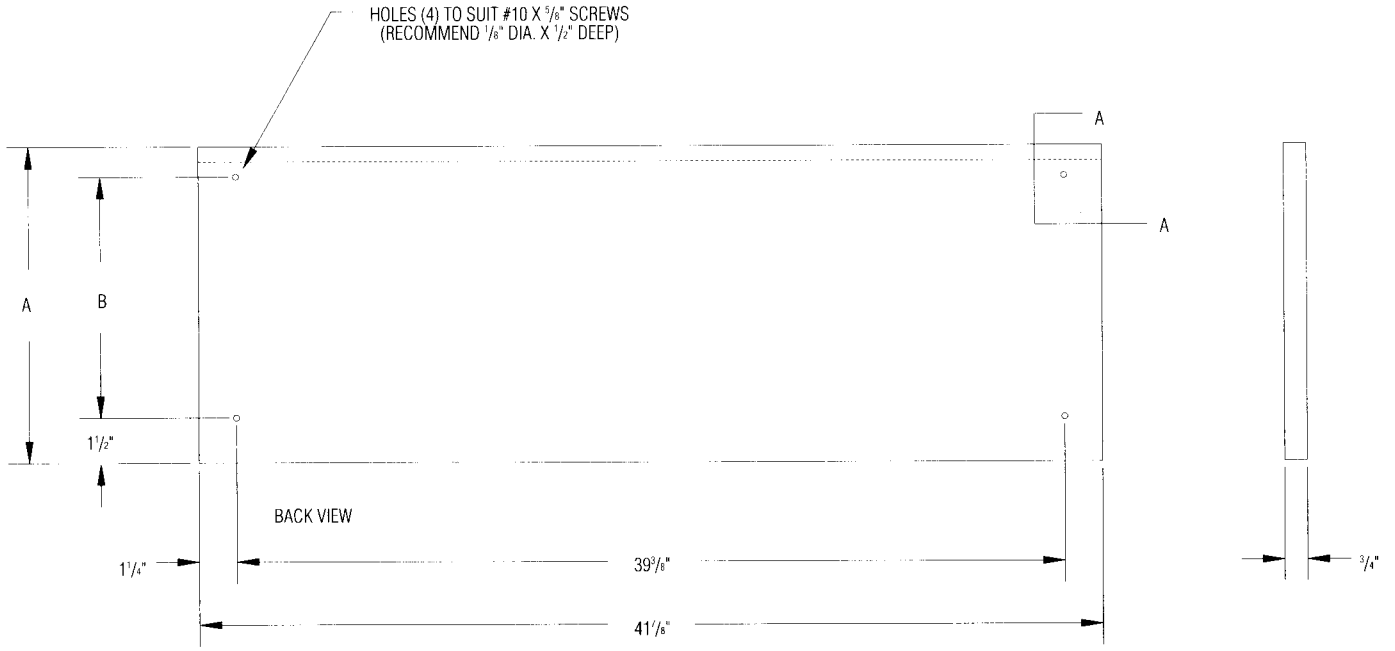
Nominal Drawer Front Height	Dim. A	Dim. B
15"	13 <sup>9</sup> / <sub>16</sub> "	8"
13 1/2"	12 <sup>1</sup> / <sub>32</sub> "	8"
12"	10 <sup>1</sup> / <sub>2</sub> "	8"
10 1/2"	8 <sup>31</sup> / <sub>32</sub> "	6 <sup>15</sup> / <sub>32</sub> "
9"	7 <sup>1</sup> / <sub>16</sub> "	4 <sup>15</sup> / <sub>16</sub> "
6"	4 <sup>3</sup> / <sub>8</sub> "	1 <sup>7</sup> / <sub>8</sub> "

### Recommended Laminating Sequence

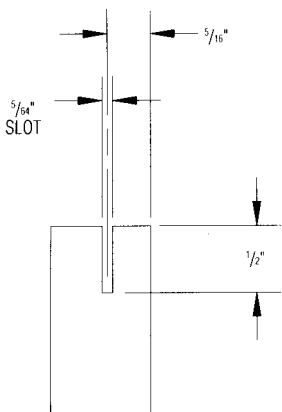
- Apply Backer
- Apply Sides
- Apply Front and Bottom

**Note:** Dimensions shown are for laminated parts. Slots fit KI's full width pull.

# Lateral Drawer Front



## Section AA



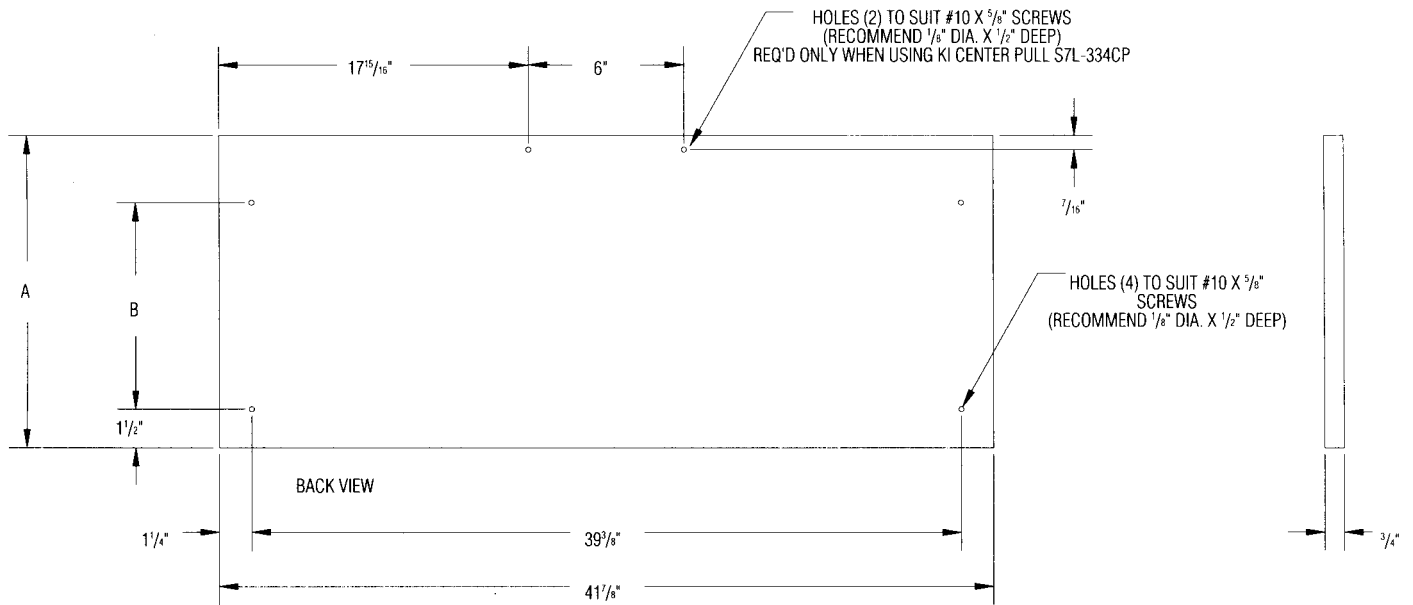
Nominal Drawer Front Height	Dim. A	Dim. B
15"	13 <sup>9</sup> / <sub>16</sub> "	8"
13 1/2"	12 <sup>1</sup> / <sub>32</sub> "	8"
12"	10 <sup>1</sup> / <sub>2</sub> "	8"
10 1/2"	8 <sup>31</sup> / <sub>32</sub> "	6 <sup>15</sup> / <sub>32</sub> "
9"	7 <sup>7</sup> / <sub>16</sub> "	4 <sup>15</sup> / <sub>16</sub> "
6"	4 <sup>3</sup> / <sub>8</sub> "	1 <sup>7</sup> / <sub>8</sub> "

### Recommended Laminating Sequence

- Apply Backer
- Apply Sides
- Apply Top and Bottom
- Apply Front

**Note:** Dimensions shown are for laminated parts. Slots fit KI's full width pull.

# Lateral Drawer Front

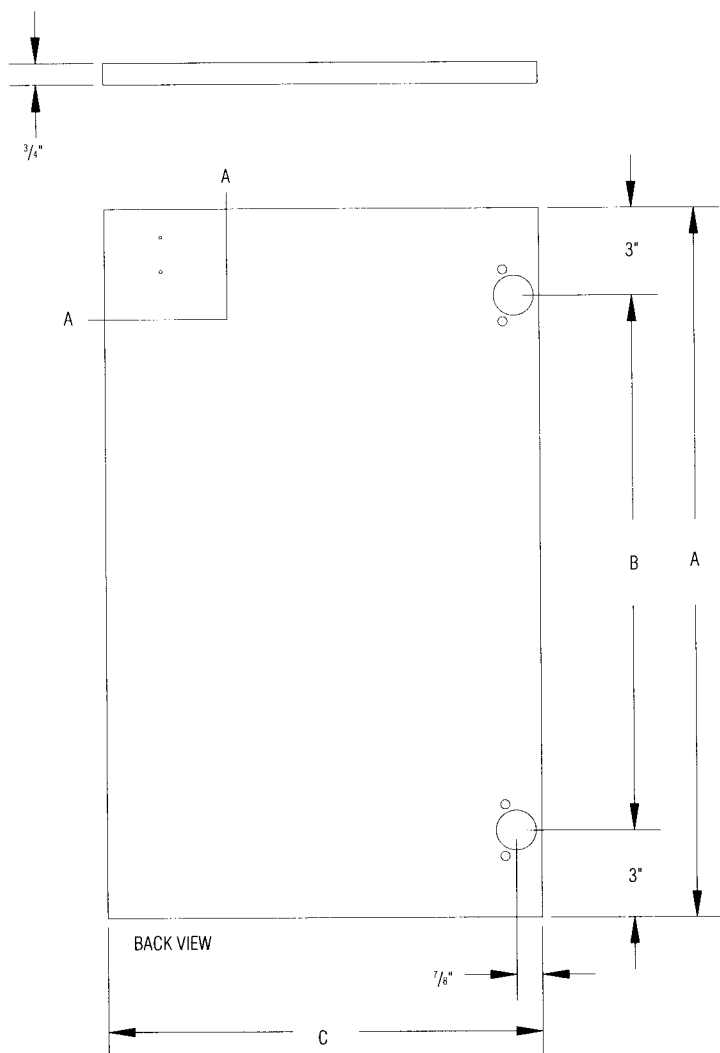


Nominal Drawer Front Height	Dim. A	Dim. B
15"	15 <sup>3</sup> / <sub>16</sub> "	8"
13 <sup>1</sup> / <sub>2</sub> "	13 <sup>21</sup> / <sub>32</sub> "	8"
12"	12 <sup>1</sup> / <sub>8</sub> "	8"
10 <sup>1</sup> / <sub>2</sub> "	10 <sup>19</sup> / <sub>32</sub> "	6 <sup>15</sup> / <sub>32</sub> "
9"	9 <sup>1</sup> / <sub>16</sub> "	4 <sup>15</sup> / <sub>16</sub> "
6"	6"	1 <sup>7</sup> / <sub>8</sub> "

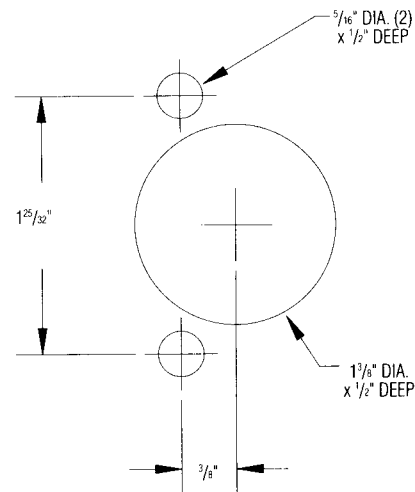
Recommended Laminating Sequence

- Apply Backer
- Apply Sides
- Apply Top and Bottom
- Apply Front

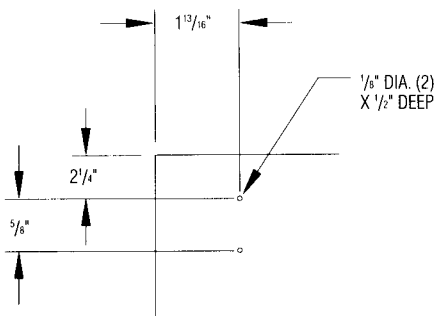
**Note:** Dimensions shown are for laminated parts. Slots fit KI's full width pull.



HINGE HOLE DETAIL  
2 PLACES



**Section AA**

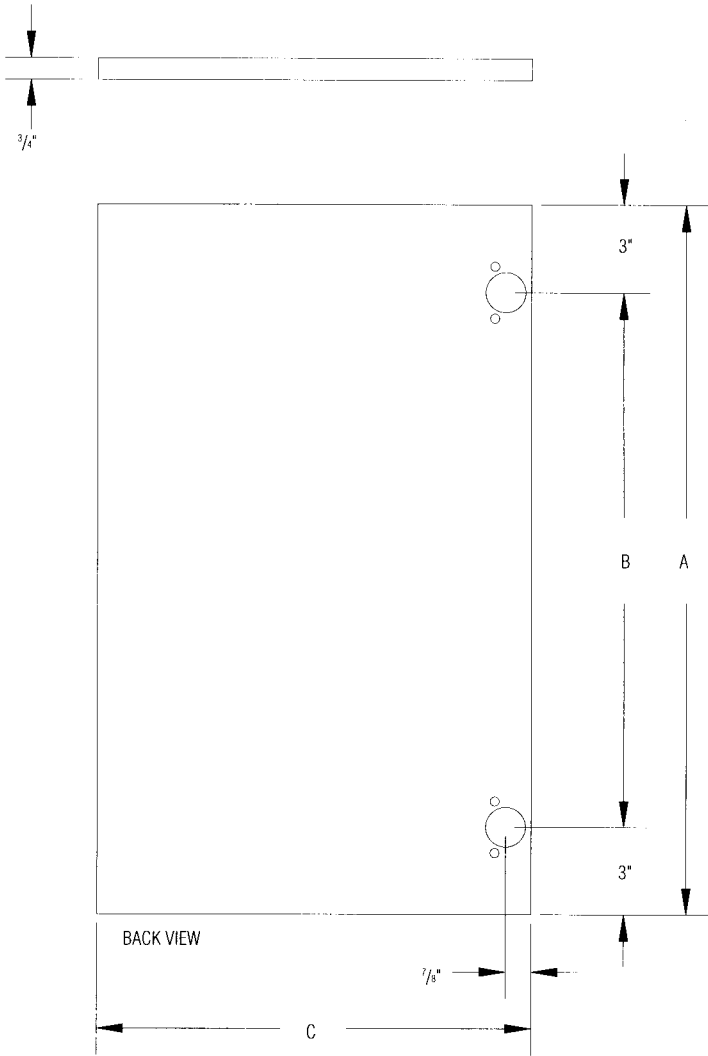


Nominal Cabinet Height	Dim. A	Dim. B	Dim. C
39 1/4"	36 5/8"	30 5/8"	14 7/8"
33 1/8"	30 1/2"	24 1/2"	14 7/8"
27"	24 3/8"	18 3/8"	14 7/8"

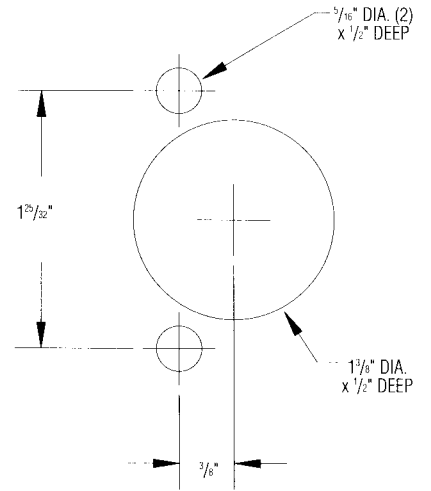
**Note:** Dimensions shown are for laminated parts. Slots fit KI's full width pull. Unit is 30" wide.

Section AA holes are drilled only when the lock bracket is ordered. Drawing shows holes for the left door lock bracket attachment (lock bracket is also available for right door). Hole configurations and dimensions will remain the same for all cabinet doors.

# Cabinet Door



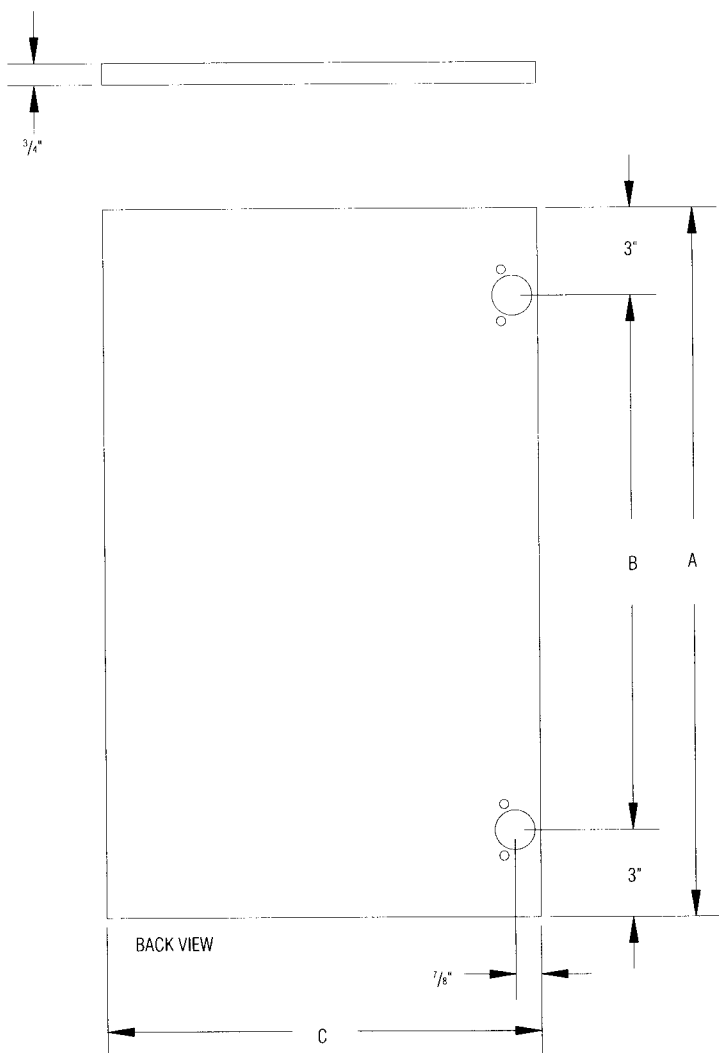
## HINGE HOLE DETAIL 2 PLACES



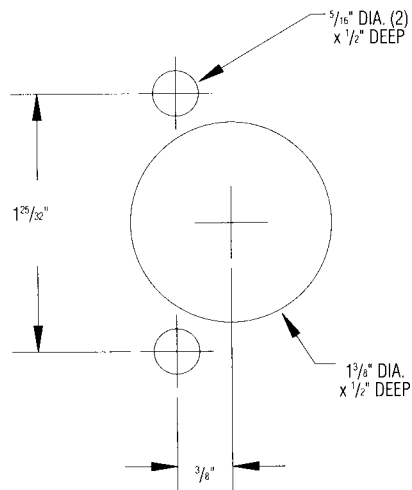
Nominal Cabinet Height	Dim. A	Dim. B	Dim. C
39 1/4"	36 5/8"	30 5/8"	17 7/8"
33 1/8"	30 1/2"	24 1/2"	17 7/8"
27"	24 3/8"	18 3/8"	17 7/8"

**Note:** Dimensions shown are for laminated parts. Slots fit KI's full width pull. Unit is 36" wide.

# Cabinet Door



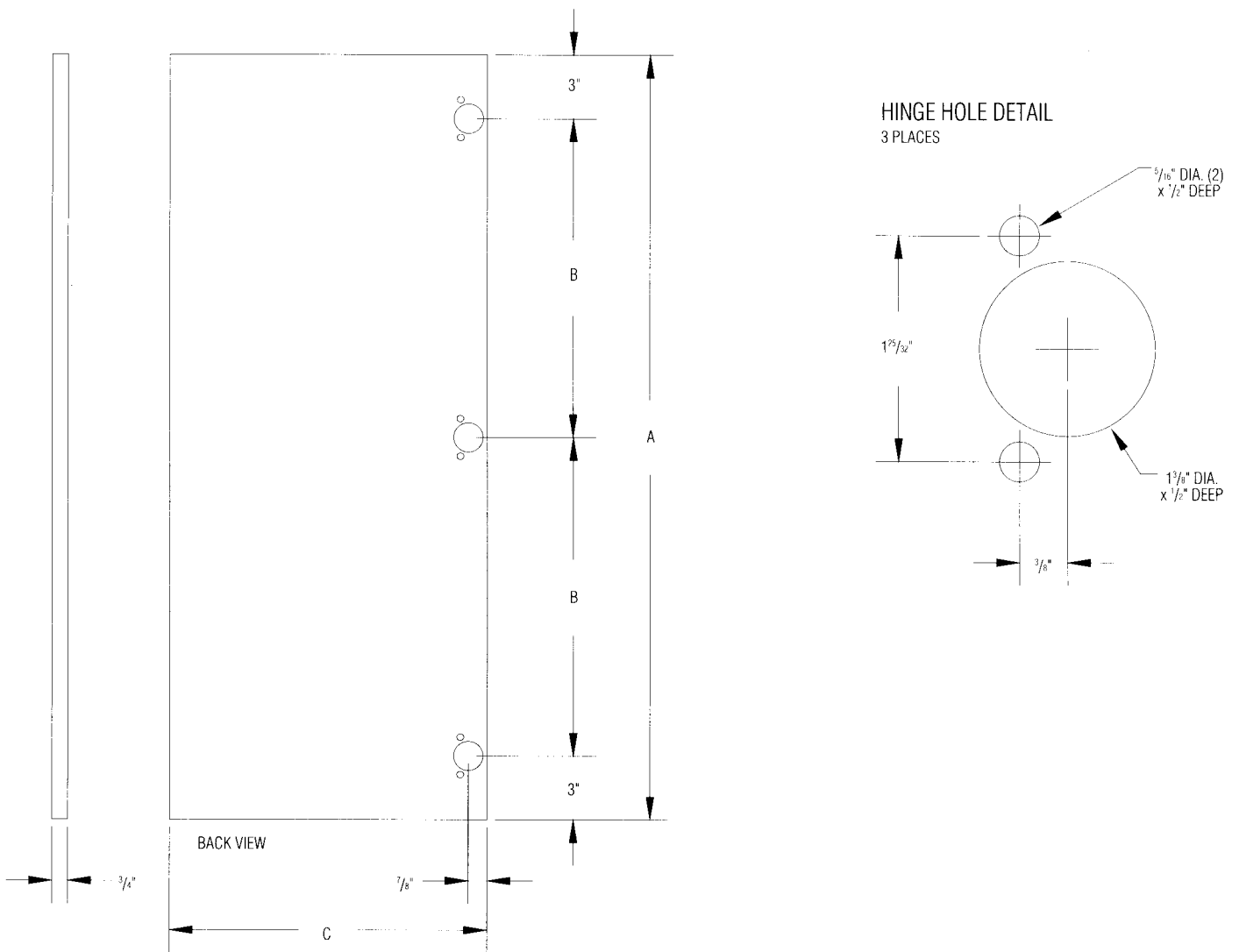
HINGE HOLE DETAIL  
2 PLACES



Nominal Cabinet Height	Dim. A	Dim. B	Dim. C
39 $\frac{1}{4}$ "	36 $\frac{5}{8}$ "	30 $\frac{5}{8}$ "	20 $\frac{7}{8}$ "
33 $\frac{7}{8}$ "	30 $\frac{1}{2}$ "	24 $\frac{1}{2}$ "	20 $\frac{7}{8}$ "
27"	24 $\frac{3}{8}$ "	18 $\frac{3}{8}$ "	20 $\frac{7}{8}$ "

**Note:** Dimensions shown are for laminated parts. Slots fit KI's full width pull. Unit is 42" wide.

# Cabinet Door

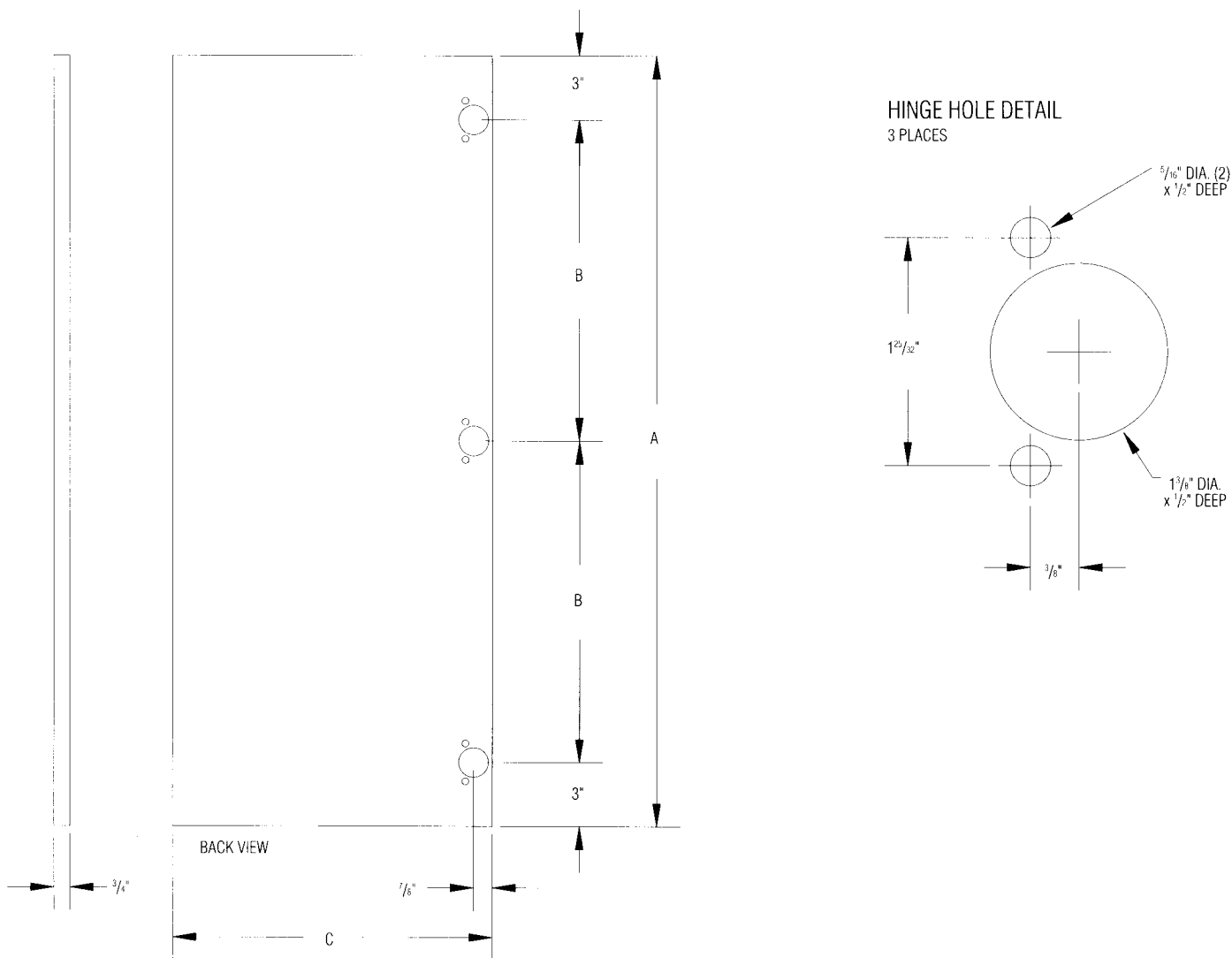


Nominal Cabinet Height	Dim. A	Dim. B	Dim. C
51 1/2"	48 7/8"	21 7/16"	14 7/8"

**Note:** Dimensions shown are for laminated parts. Slots fit KI's full width pull. Unit is 30" wide.

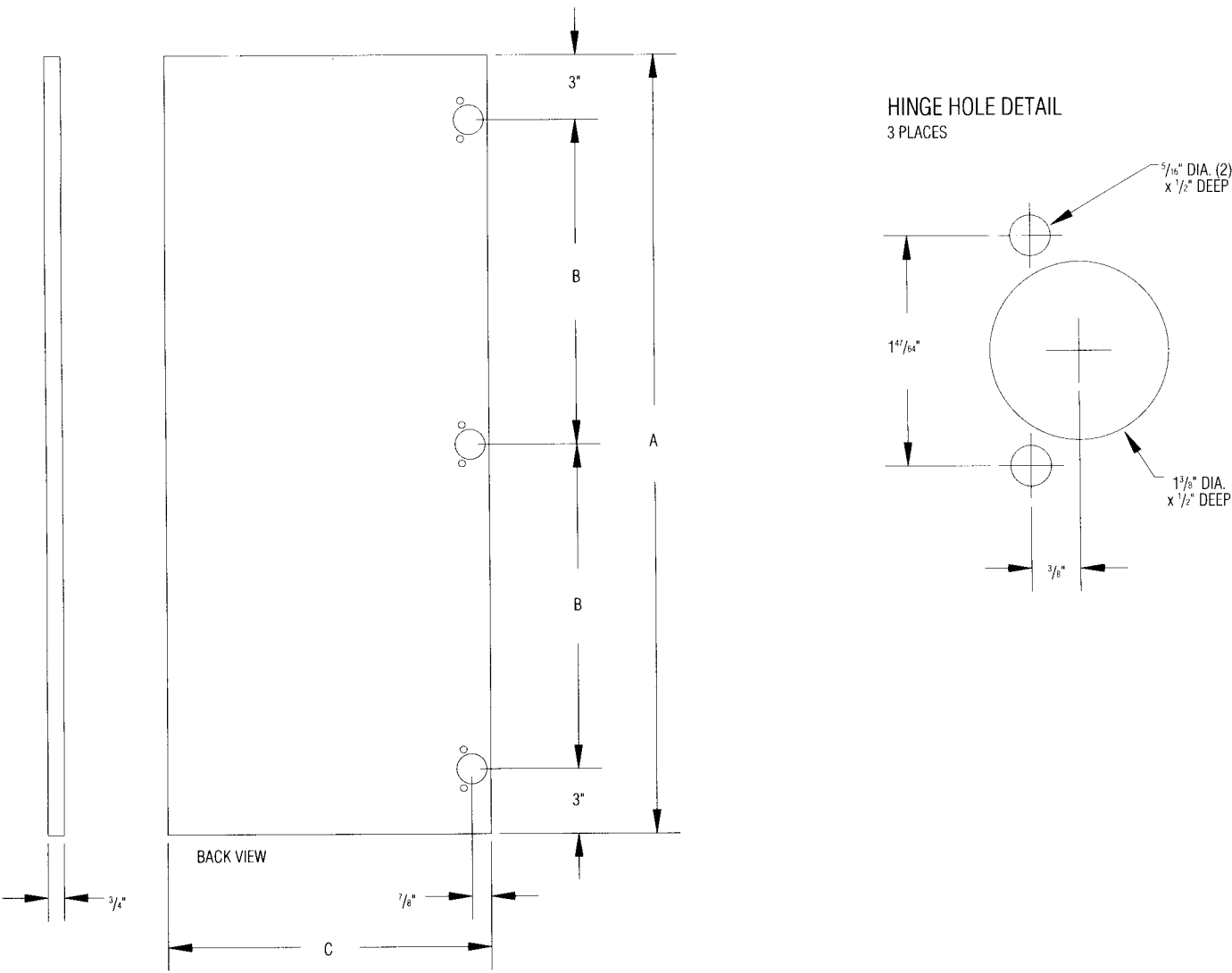


# Cabinet Door



Nominal Cabinet Height	Dim. A	Dim. B	Dim. C
51 1/2"	48 7/8"	21 7/16"	17 7/8"

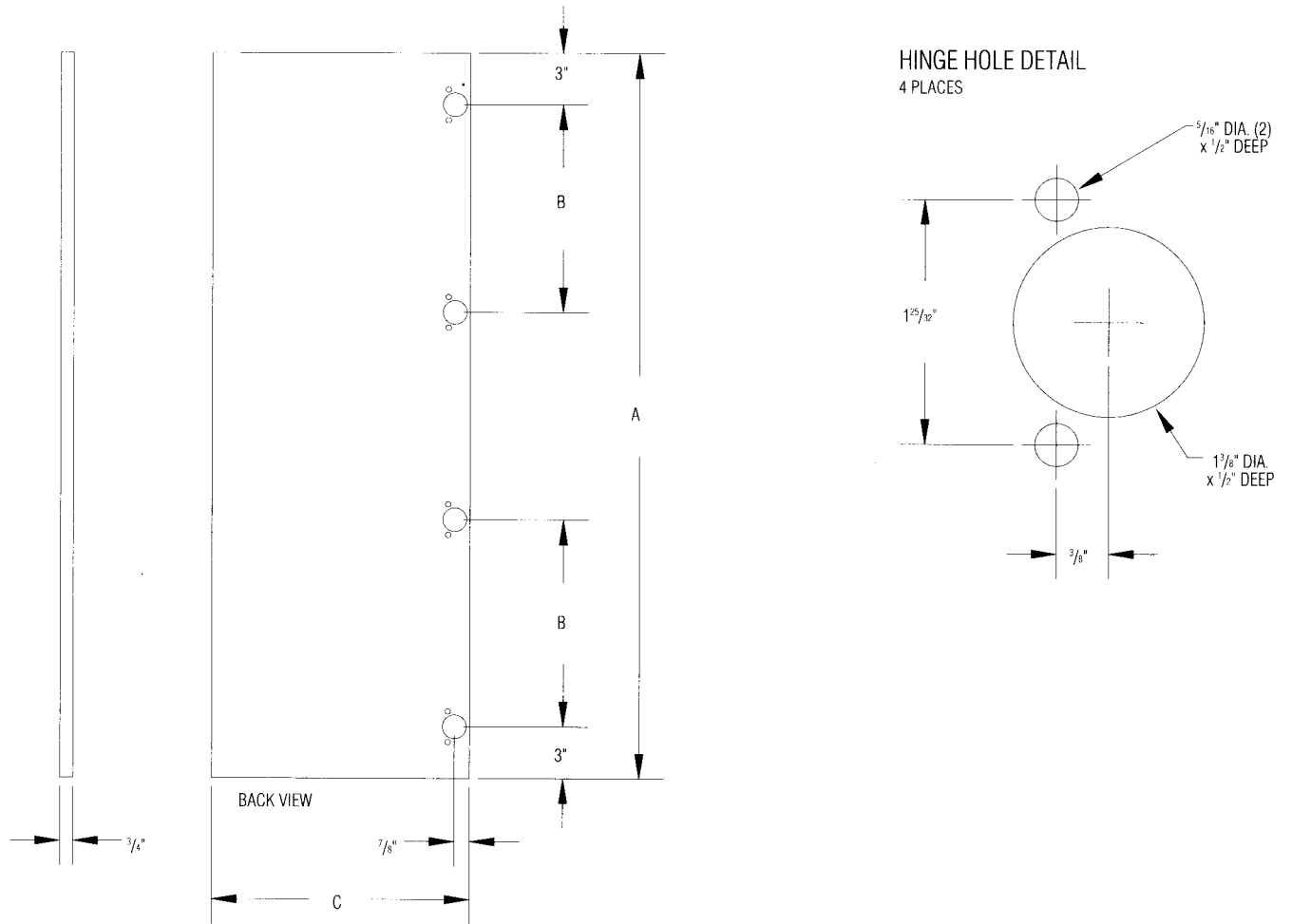
**Note:** Dimensions shown are for laminated parts. Slots fit KI's full width pull. Unit is 36" wide.



Nominal Cabinet Height	Dim. A	Dim. B	Dim. C
51 1/2"	48 7/8"	21 7/16"	20 7/8"

**Note:** Dimensions shown are for laminated parts. Slots fit KI's full width pull. Unit is 42" wide.

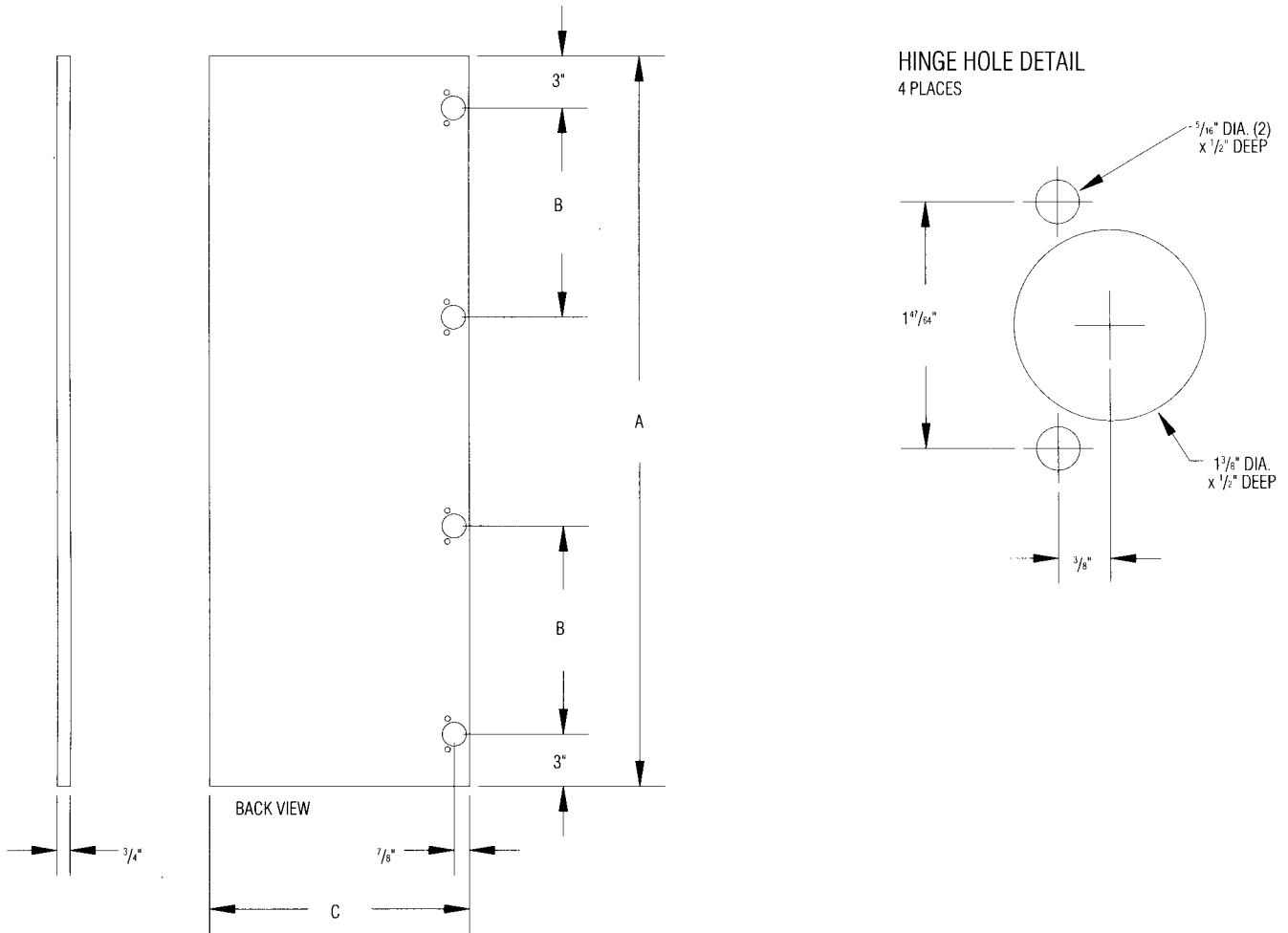
# Cabinet Door



Nominal Cabinet Height	Dim. A	Dim. B	Dim. C
$77\frac{11}{32}$ "	$74\frac{29}{32}$ "	$22\frac{31}{32}$ "	$17\frac{7}{8}$ "
$65\frac{9}{32}$ "	$62\frac{21}{32}$ "	$18\frac{3}{8}$ "	$17\frac{7}{8}$ "
$63\frac{3}{4}$ "	$61\frac{1}{8}$ "	$18\frac{3}{8}$ "	$17\frac{7}{8}$ "

**Note:** Dimensions shown are for laminated parts. Slots fit KI's full width pull. Unit is 36" wide.

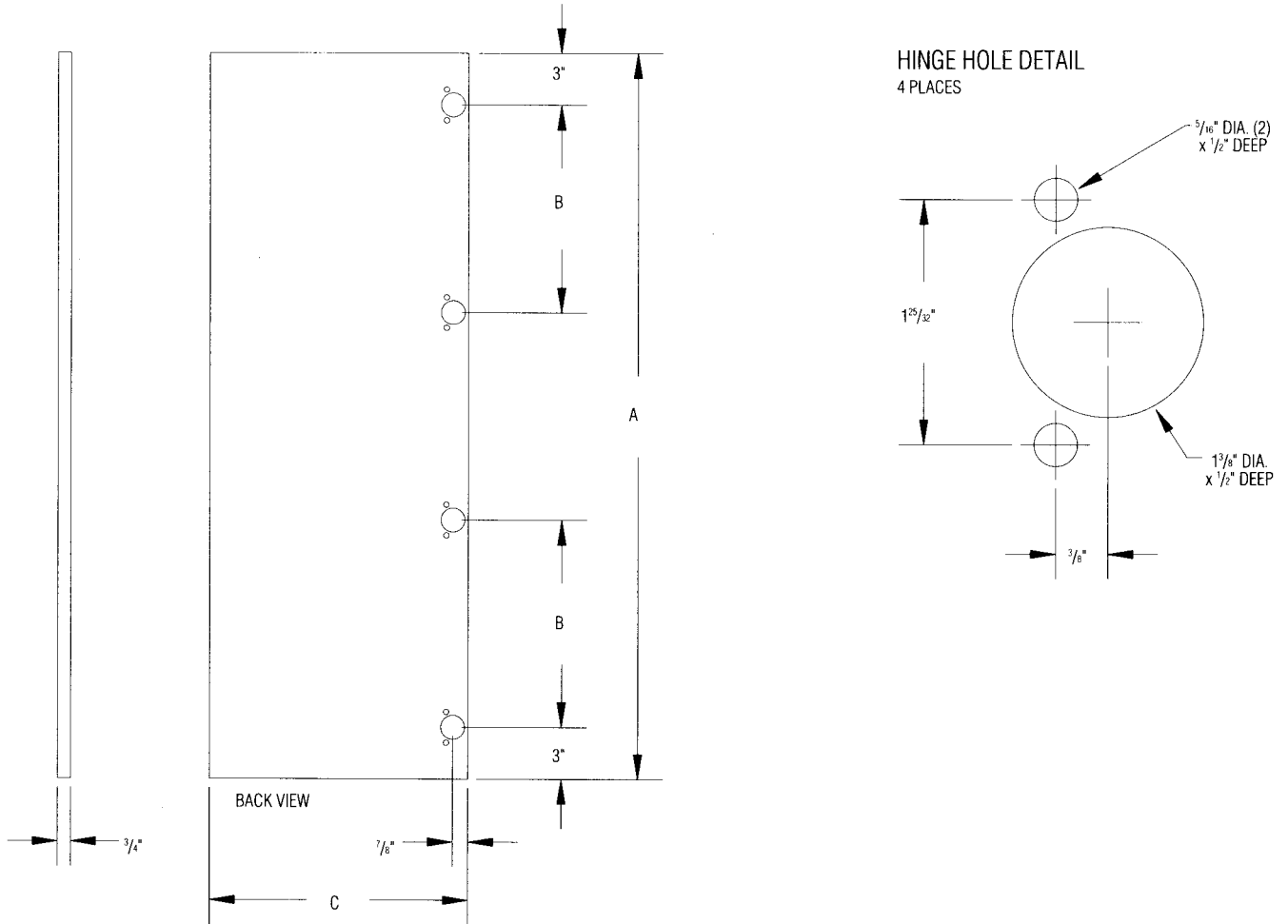
# Cabinet Door



Nominal Cabinet Height	Dim. A	Dim. B	Dim. C
$77\frac{11}{32}$ "	$74\frac{29}{32}$ "	$22\frac{31}{32}$ "	$14\frac{7}{8}$ "
$65\frac{9}{32}$ "	$62\frac{21}{32}$ "	$18\frac{3}{8}$ "	$14\frac{7}{8}$ "
$63\frac{3}{4}$ "	$61\frac{1}{8}$ "	$18\frac{3}{8}$ "	$14\frac{7}{8}$ "

**Note:** Dimensions shown are for laminated parts. Slots fit KI's full width pull. Unit is 30" wide.

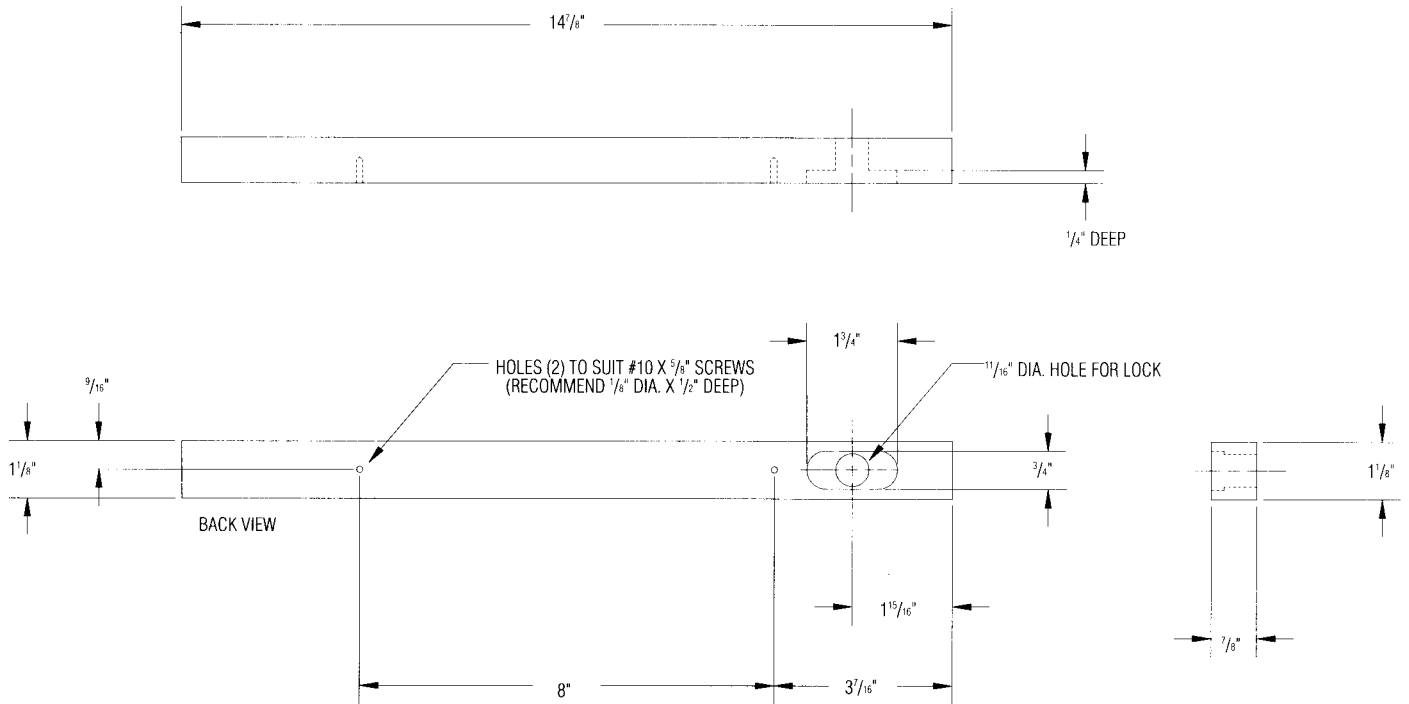
# Cabinet Door



Nominal Cabinet Height	Dim. A	Dim. B	Dim. C
77 <sup>11</sup> / <sub>32</sub> "	74 <sup>29</sup> / <sub>32</sub> "	22 <sup>31</sup> / <sub>32</sub> "	20 <sup>7</sup> / <sub>8</sub> "
65 <sup>3</sup> / <sub>32</sub> "	62 <sup>21</sup> / <sub>32</sub> "	18 <sup>3</sup> / <sub>8</sub> "	20 <sup>7</sup> / <sub>8</sub> "
63 <sup>3</sup> / <sub>4</sub> "	61 <sup>1</sup> / <sub>8</sub> "	18 <sup>3</sup> / <sub>8</sub> "	20 <sup>7</sup> / <sub>8</sub> "

**Note:** Dimensions shown are for laminated parts. Slots fit KI's full width pull. Unit is 42" wide.

# Pedestal Filler Rail

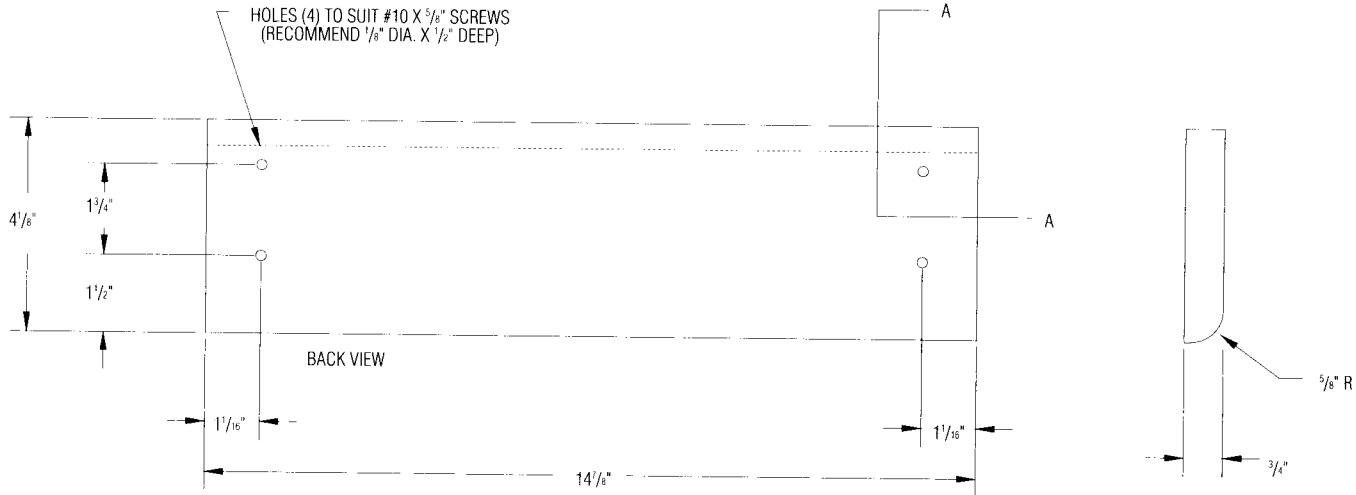


## Recommended Laminating Sequence

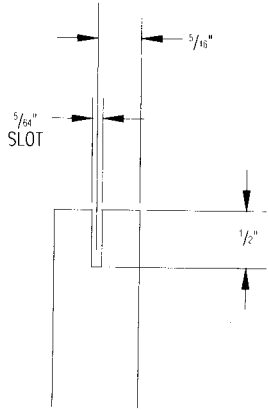
- Apply Backer
- Apply Sides
- Apply Top and Bottom
- Apply Front

**Note:** Dimensions shown are for laminated parts. Slots fit KI's full width pull.

# Pedestal Drawer Front



**Section AA**

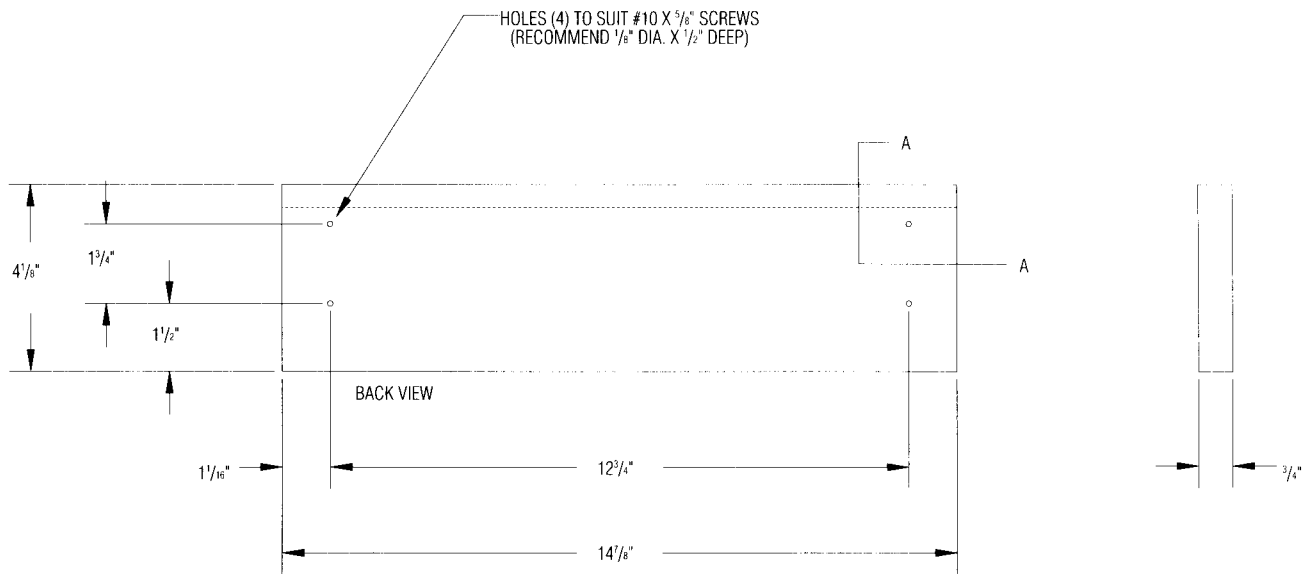


**Recommended Laminating Sequence**

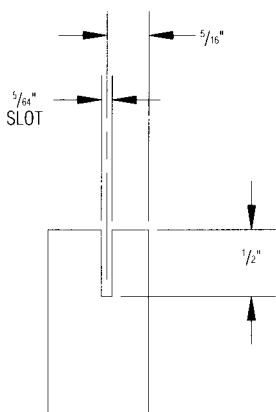
- Apply Backer
- Apply Sides
- Apply Front and Bottom

**Note:** Dimensions shown are for laminated parts. Slots fit KI's full width pull.

# Pedestal Drawer Front



## Section AA



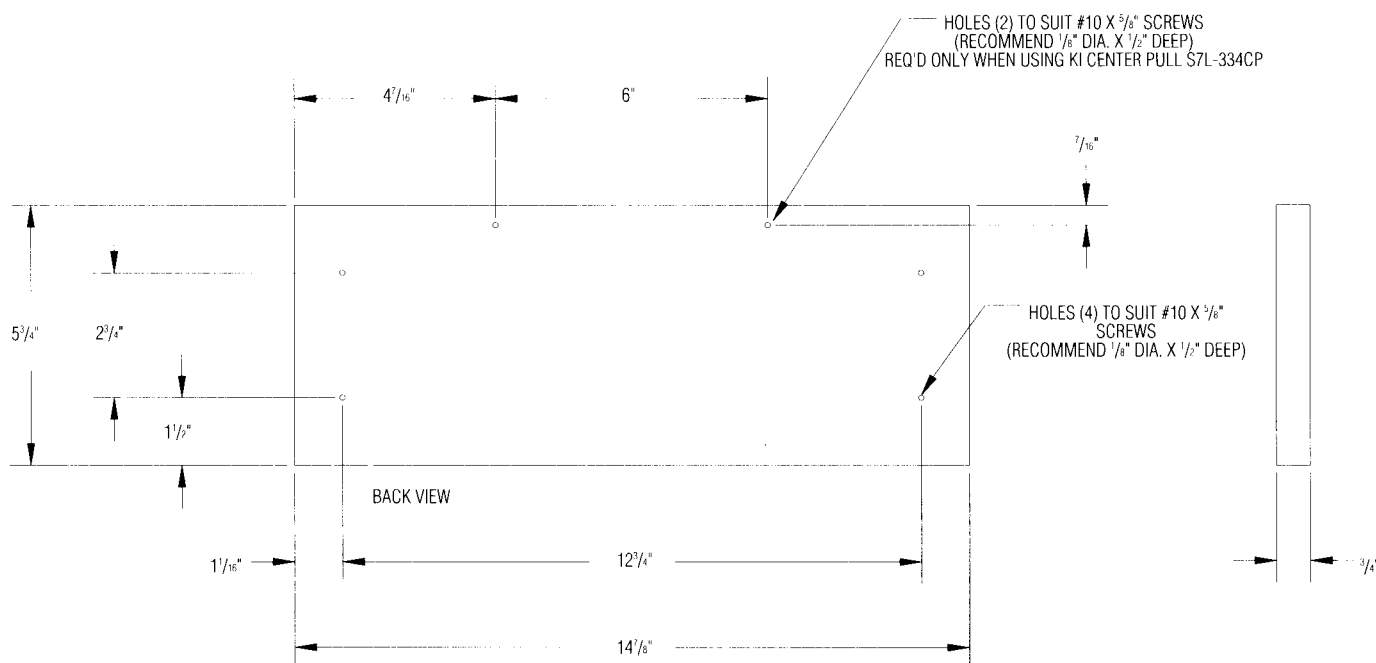
## Recommended Laminating Sequence

- Apply Backer
- Apply Sides
- Apply Top and Bottom
- Apply Front

**Note:** Dimensions shown are for laminated parts. Slots fit KI's full width pull.



## Pedestal Drawer Front

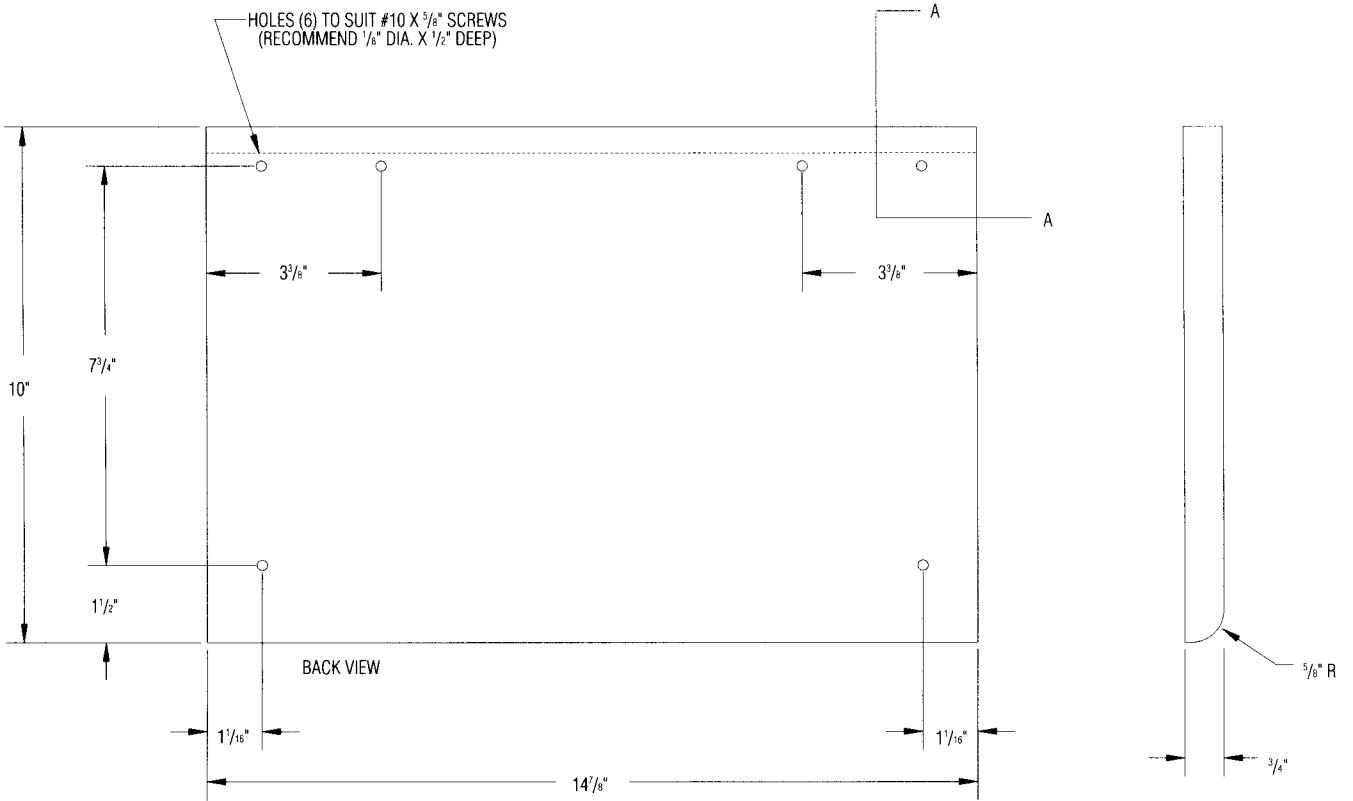


## Recommended Laminating Sequence

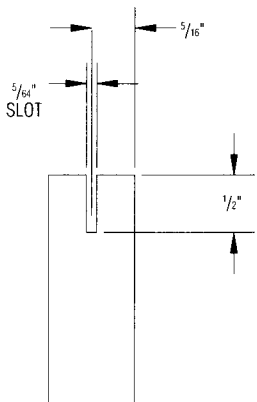
- Apply Backer
- Apply Sides
- Apply Top and Bottom
- Apply Front

**Note:** Dimensions shown are for laminated parts.

# Pedestal Drawer Front



## Section AA

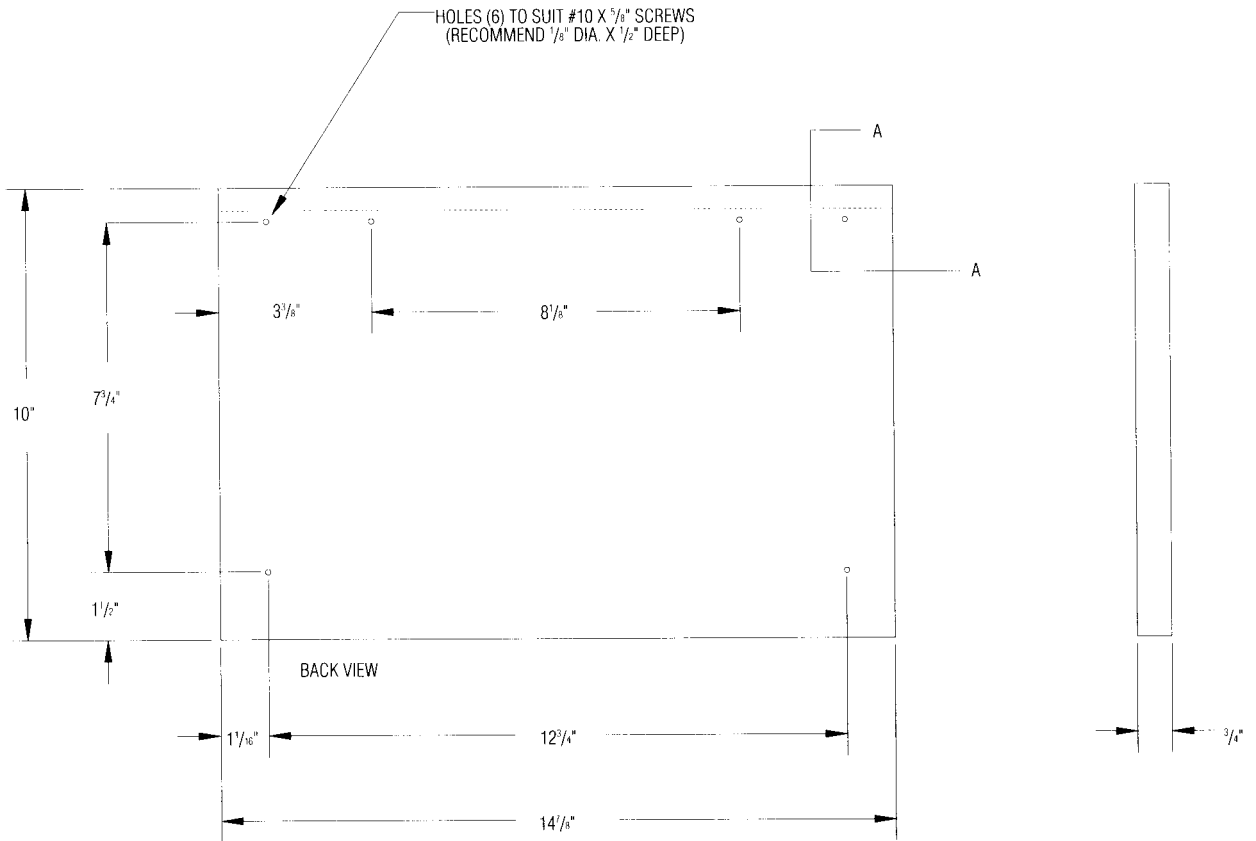


## Recommended Laminating Sequence

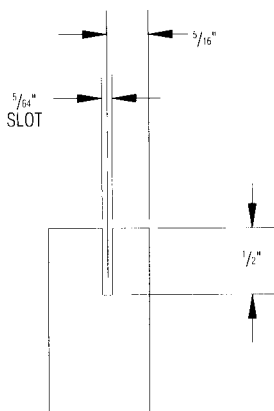
- Apply Backer
- Apply Sides
- Apply Front and Bottom

**Note:** Dimensions shown are for laminated parts. Slots fit KI's full width pull.

# Pedestal Drawer Front



## Section AA

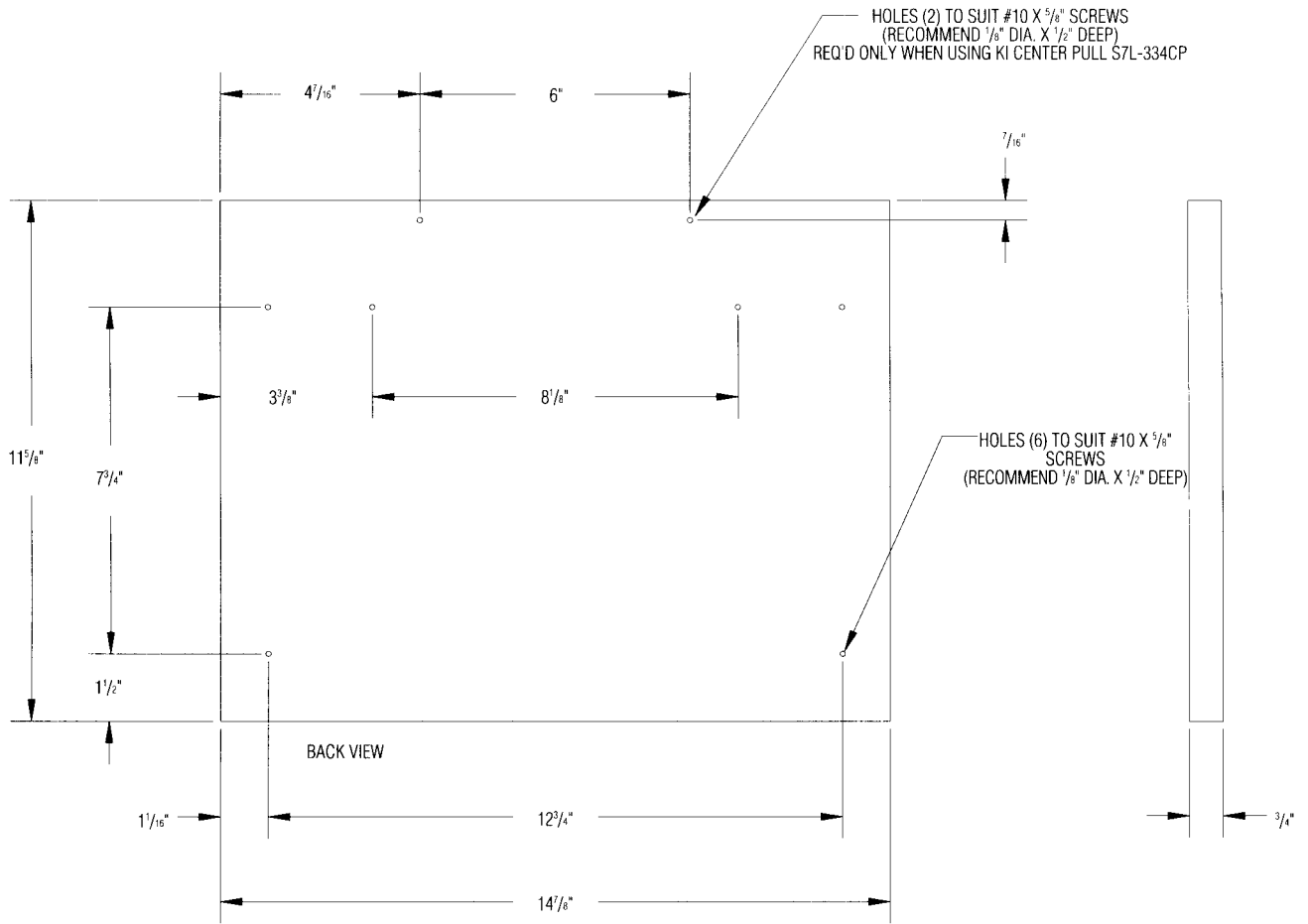


## Recommended Laminating Sequence

- Apply Backer
- Apply Sides
- Apply Top and Bottom
- Apply Front

**Note:** Dimensions shown are for laminated parts. Slots fit KI's full width pull.

# Pedestal Drawer Front

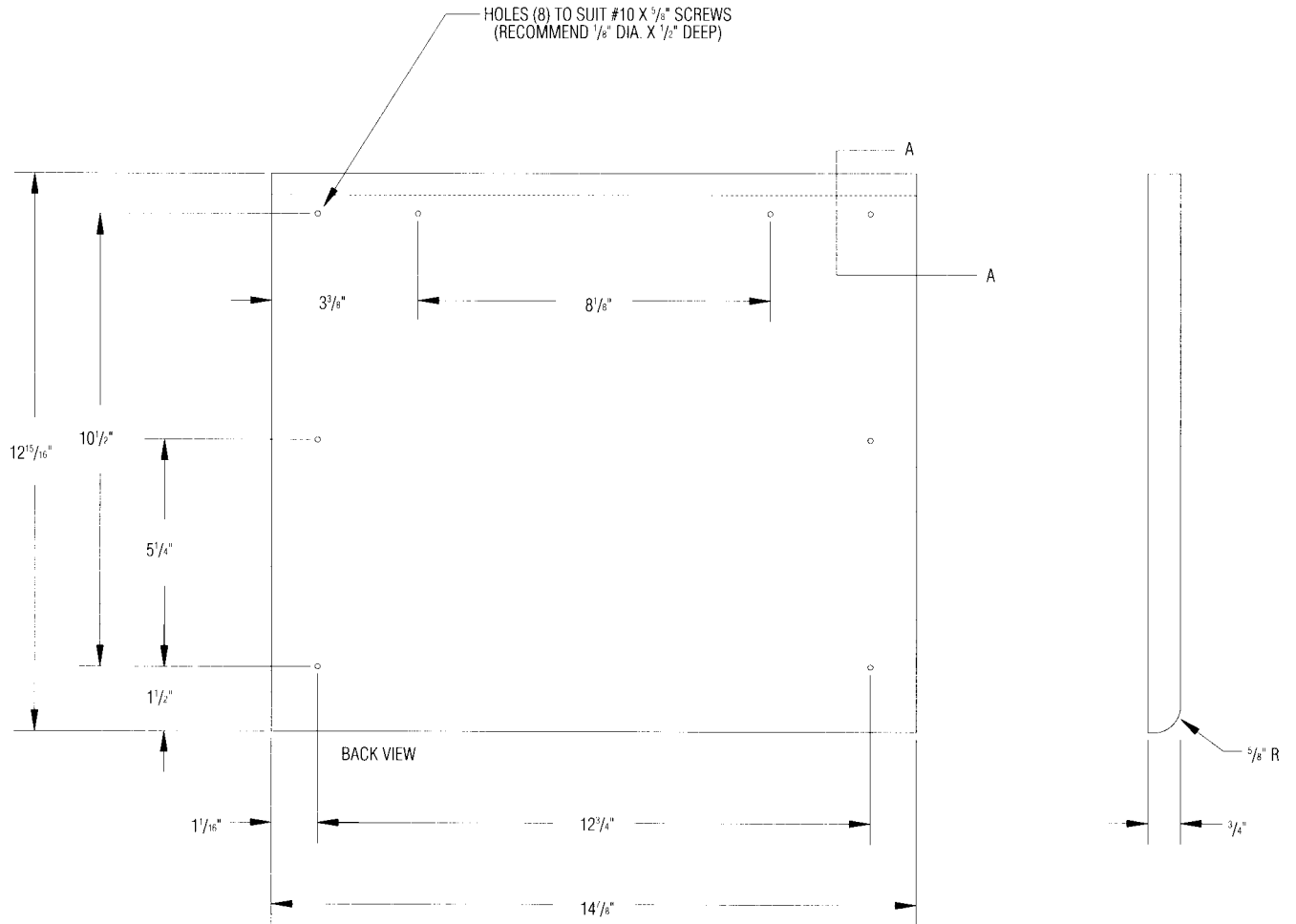


### Recommended Laminating Sequence

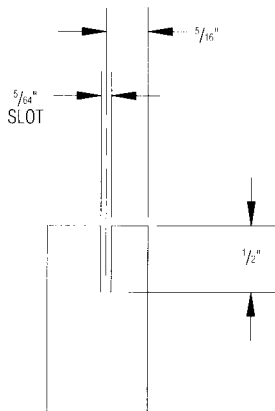
- Apply Backer
- Apply Sides
- Apply Top and Bottom
- Apply Front

**Note:** Dimensions shown are for laminated parts.

# Pedestal Drawer Front



## Section AA

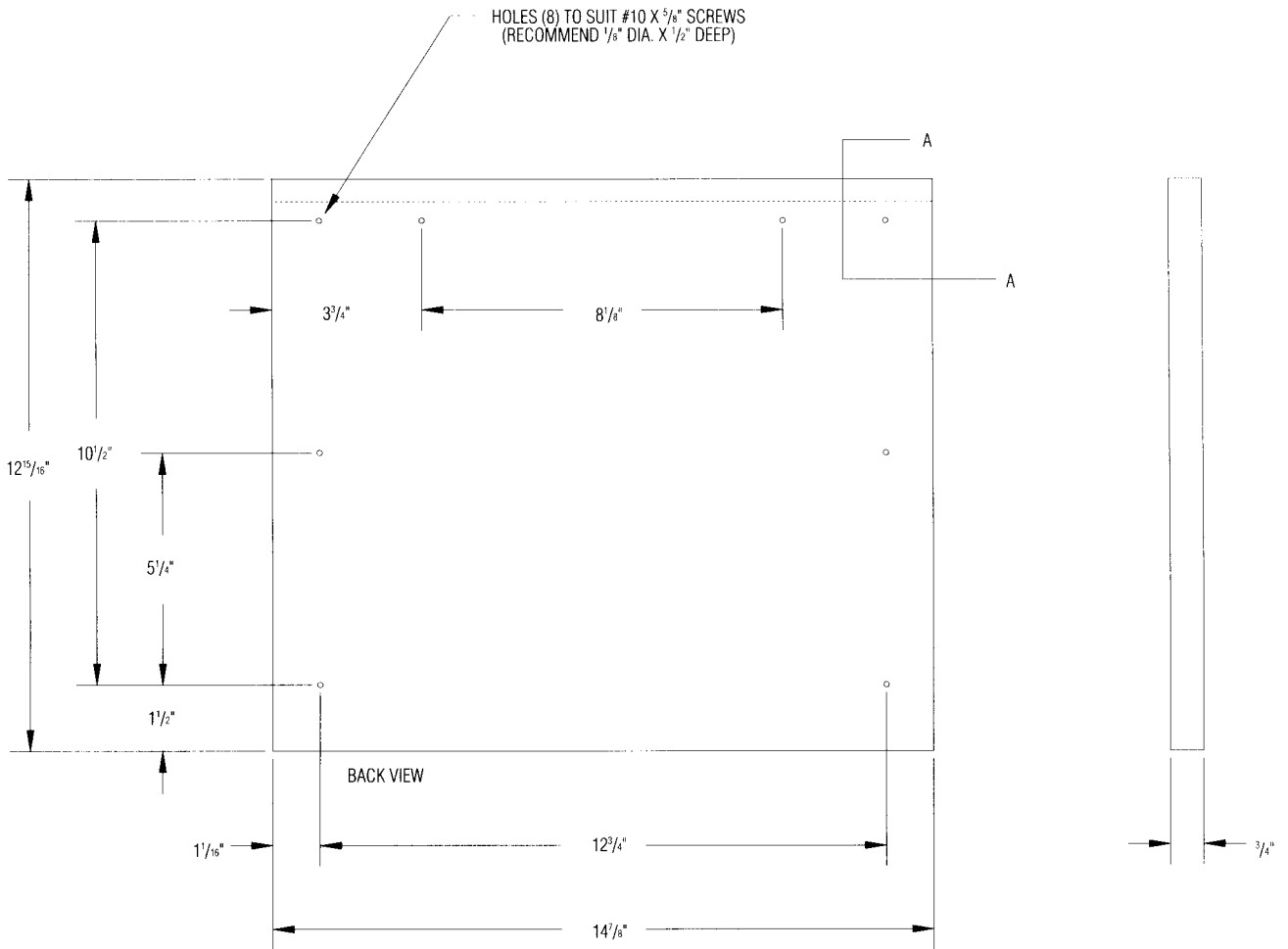


## Recommended Laminating Sequence

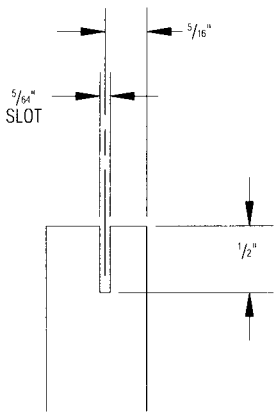
- Apply Backer
- Apply Sides
- Apply Top and Bottom
- Apply Front

**Note:** Dimensions shown are for laminated parts. Slots fit KI's full width pull.

# Pedestal Drawer Front



## Section AA

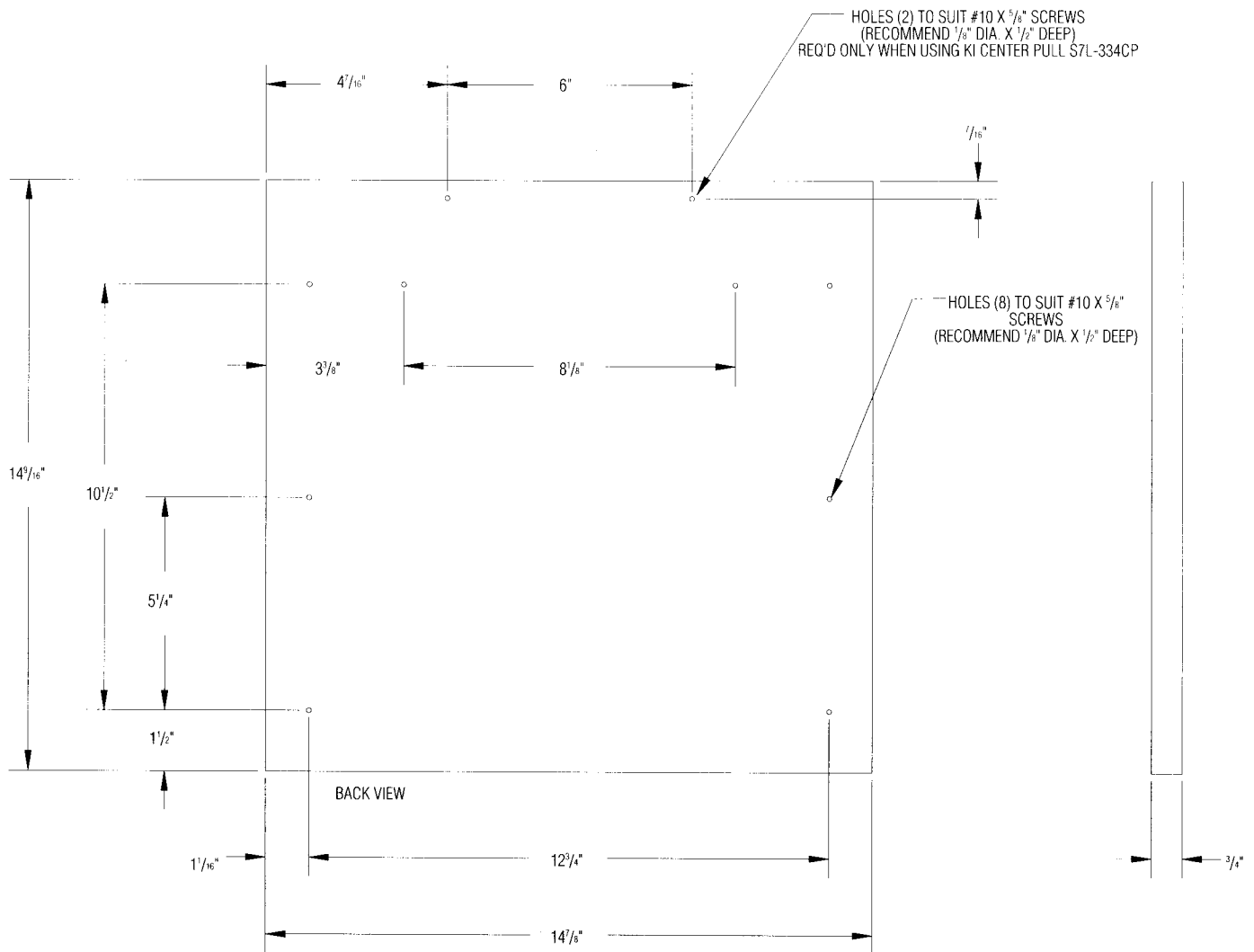


## Recommended Laminating Sequence

- Apply Backer
- Apply Sides
- Apply Top and Bottom
- Apply Front

**Note:** Dimensions shown are for laminated parts. Slots fit KI's full width pull.

# Pedestal Drawer Front



### Recommended Laminating Sequence

- Apply Backer
- Apply Sides
- Apply Top and Bottom
- Apply Front

**Note:** Dimensions shown are for laminated parts.

KI  
1330 Bellevue Street  
P.O. Box 8100  
Green Bay, Wisconsin 54308-8100  
TEL (414) 468-8100  
FAX (414) 468-0280