

Assembly Instructions

KI 700 Series Shared Work Center - Shelf Insertion & Removal

August 2001

KI Pembroke
P.O. Box 580
1000 Olympic Drive
Pembroke, Ontario
K8A 6X7

TEL (613) 735-5566
FAX (613) 735-3333

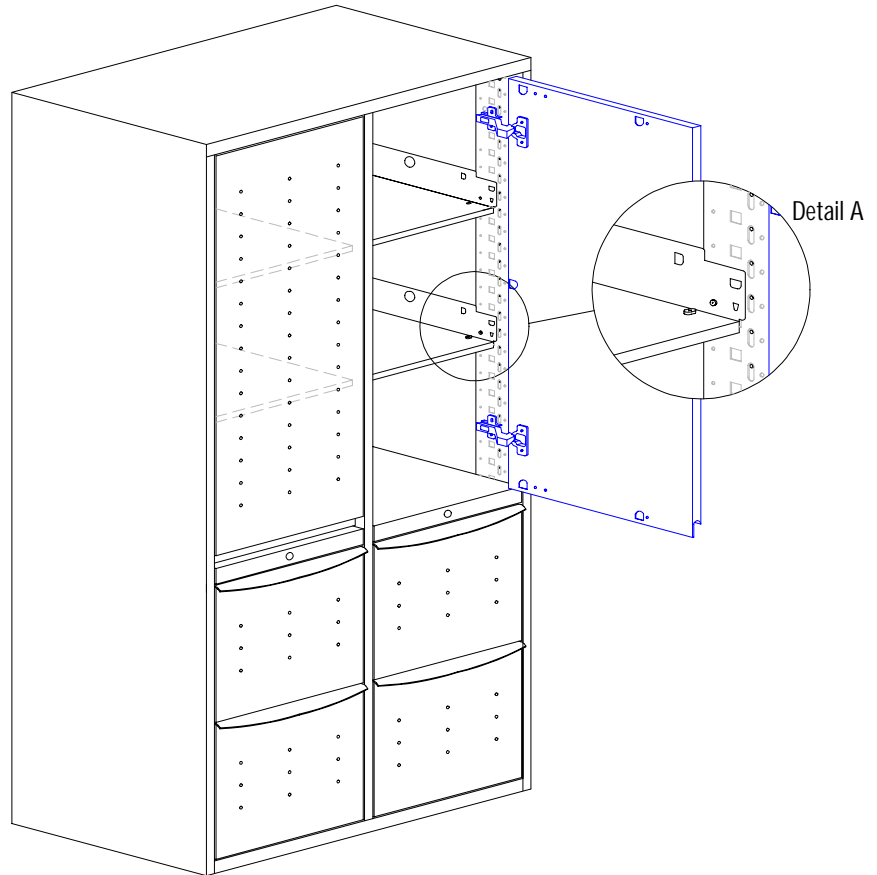
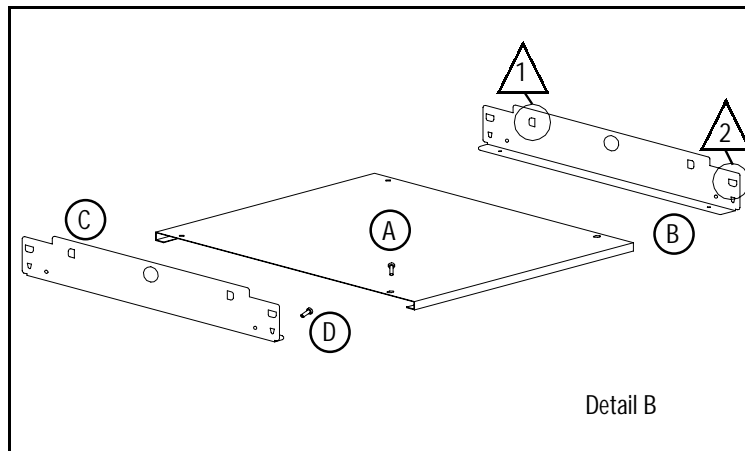


Figure 1



Detail B

Parts List

- A - Adjustable Shelf
- B - Right Shelf Bracket
- C - Left Shelf Bracket
- D - Mounting Screws

Adjustable Shelf Removal

Referring to Detail A, remove screw from front hole location of shelf. Repeat for opposite side. Note: Screws in shelf are only required for shipping purposes, it is not necessary to replace when shelf is in desired location.) Slide the shelf slightly to the rear and carefully lift upwards. The shelf should now come free from the cabinet. Set shelf aside.

Shelf Bracket Removal

Referring to Detail A, remove screw from front section of the bracket. Using a slight amount of force, lift up on shelf bracket, pull forward. Repeat for next shelf bracket.

Shelf Bracket Insertion

Approximate desired shelf height and referring to Detail B, slide Lug 1 into rear upright, rotate shelf bracket down ensuring Lug 2 is fitting snugly into square hole in front upright. Repeat for opposite side. Set shelf into place on shelf brackets.

