

Disassembly Instructions

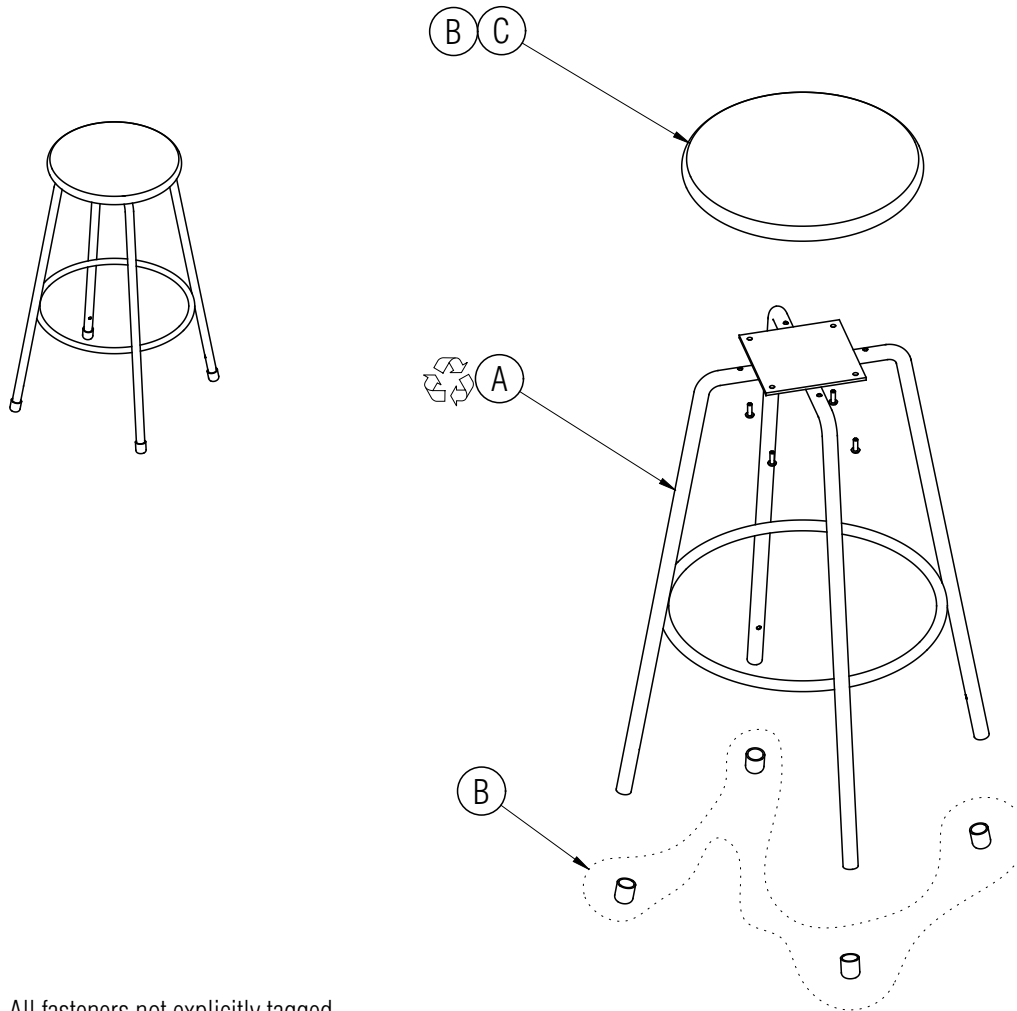


600 Series Stool, 800 Series Stool

Material Type: A . Steel B. Plastic C. Wood


Procedure:

1. Remove the screws holding the seat to the stool frame and remove the seat.
2. Pull off the glides from the ends of the leg tubes.



General Notes:

1. Disassembly time: 5 minutes
2. This procedure assumes basic familiarity with hand tools and furniture terminology: no specialized training is required
3. All materials removed and disassembled shall be sorted and segregated with like materials and disposed of or recycled according to recycling availability or waste acceptance
4. For items to be recycled, refer to KI's End of Life Recycling Matrix and KI's End of Life Recovery Options Matrix, available at www.ki.com

 All fasteners not explicitly tagged are Material Type A: Steel

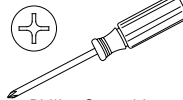
Required Tools



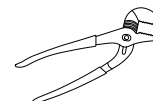
Gloves



Safety Glasses



Philips Screwdriver



Channel Lock Pliers