

Assembly Instructions ■

600 & 800 Series Stool

Backrest & Adjustable Legs

January 2017

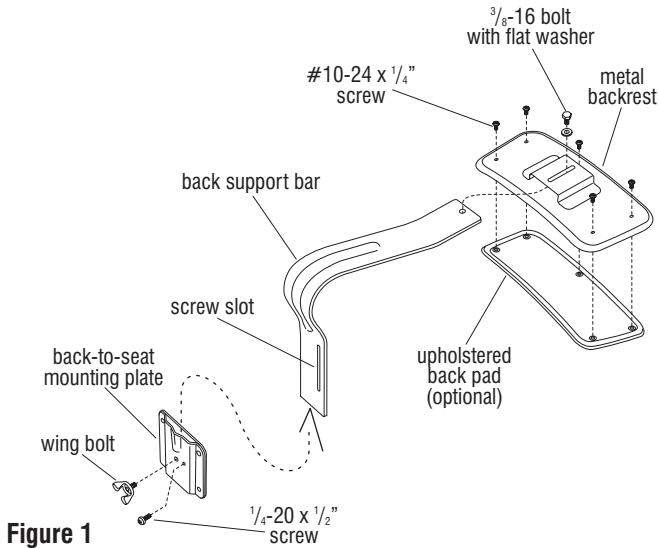


Figure 1

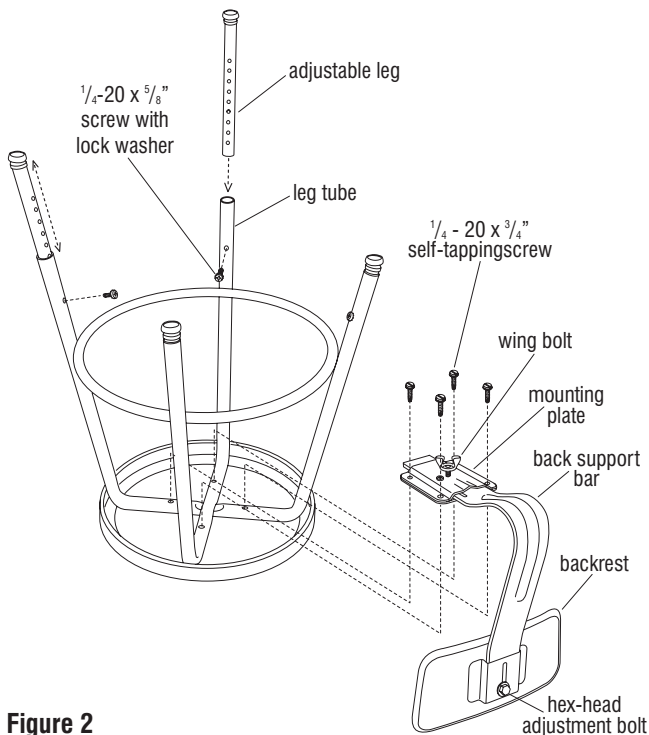


Figure 2

Assemble Backrest

1. Insert back support bar into rear of backrest as illustrated. Attach backrest to back support bar with one $\frac{3}{8}$ "-16 bolt and flat washer through slot in plate on backrest and into threaded hole in back support bar (Figure 1).
2. If upholstered back pad (optional) requires installation, align the threaded rivets in back of the padded backrest with five holes in metal backrest and secure with five #10-24 $\frac{1}{4}$ " screws (Figure 1).
3. Slide the back-to-seat mounting plate onto back support bar as illustrated. Thread the $\frac{1}{4}$ -20 \times $\frac{1}{2}$ " screw into the mounting plate and inside the slot in the support bar.

Note: Make sure the screw is secure through the plate and inside the slot. This prevents the back from being disengaged from the stool (Figure 1).

4. Adjust the mounting plate to be flush at the end of the back support bar and twist the wing bolt in as illustrated. Tighten to secure (Figure 1).

Adjustable Leg Assembly

1. Remove adjustable legs from the parts bag. Using a #3 Phillips screw driver, unscrew the $\frac{1}{4}$ -20 \times $\frac{5}{8}$ " screws with lock washers from each adjustable leg (Figure 2).
2. Carefully turn stool upside down on a soft protective surface. Slide each adjustable leg into the leg tube of the stool frame and align the mounting holes to the desired stool height. Using a #3 Phillips screw driver, thread each screw through the mounting hole in the leg tube, and into the adjustable leg until the lock washer fits snugly. Tighten all screws securely (Figure 2).

Backrest Assembly

1. Carefully turn the stool upside down onto a soft protective surface and place the mounting plate of the backrest assembly over the pre-drilled holes in the crossed legs, as illustrated. Insert four $\frac{1}{4}$ -20 \times $\frac{3}{4}$ " self-tapping screws through the pre-drilled holes in the mounting plate and into the crossed legs. Tighten to secure (Figure 2).

Backrest Operation

1. To make horizontal adjustments, loosen the wing bolt at the underside of the mounting plate and slide the back support to desired location. Tighten to secure.
2. To adjust the backrest height, loosen the hex-head bolt which is located in the top, center of the curved backrest. Slide the backrest to the desired height and tighten to secure.
3. Tighten all screws, bolts and wing bolts securely. Check periodically to determine that all fasteners remain tight.



Assemble units as described herein only. To do otherwise may result in instability. All screws, nuts and bolts must be tightened securely and must be checked periodically after assembly. Failure to assemble properly, or to secure parts may result in assembly failure and personal injury.