

Assembly Instructions ■

600 & 800 Series Stool

January 2017

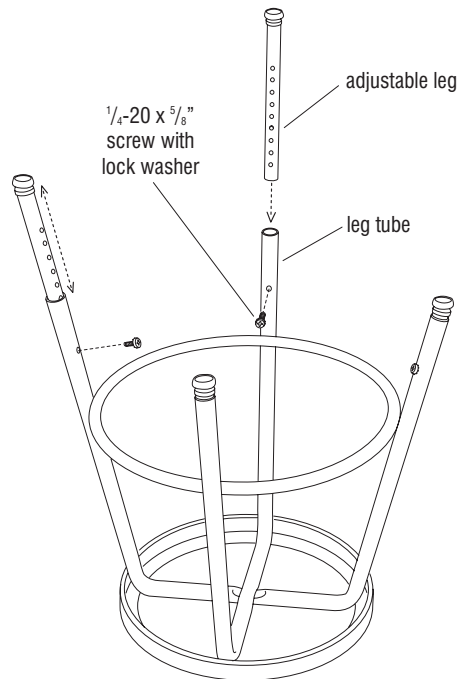


Figure 1

1. Take the four adjustable legs from the parts bag. Using a #3 Phillips screw driver, remove the $\frac{1}{4}$ -20 x $\frac{5}{8}$ " screws with lock washers from each adjustable leg.
2. Carefully turn stool upside down on a soft protective surface. Slide each adjustable leg into the leg tube of the stool frame and align the mounting holes to the desired stool height (Figure 1).
3. Using a #3 Phillips screw driver, thread each screw through the mounting hole in the leg tube, and into the adjustable leg until the lock washer fits snugly. Tighten all screws securely (Figure 1).
4. Check periodically to determine that all screws are tight.



Assemble units as described herein only. To do otherwise may result in instability. All screws, nuts and bolts must be tightened securely and must be checked periodically after assembly. Failure to assemble properly, or to secure parts may result in assembly failure and personal injury.