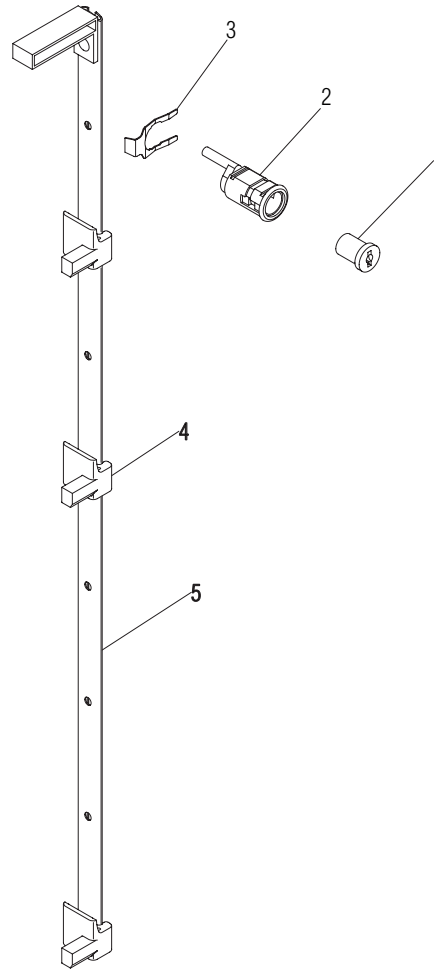


Parts Diagram ■

700 Series® Pedestal

Pedestal Locks - Mobile, Freestanding & Worksurface Supporting

July 2019



2 Lock Pins = Box/File
File/File

3 Lock Pins = Box/Box/Box
Pencil/Box/File
Box/Box/File

4 Lock Pins = Pencil/Box/Box/Box
Box/Box/Box/Box

Number of Lock Pins must be specified when ordering new Lock Channel

Item	Part Number	Item Description	Qty
1	2.KP20522	Lock Core & Keys	1
2	2.KP29060	Lock Housing	1
3	2.KP29005	Lock Clip	1
4	2.KP20278	Lock Pin	2-4
5	2.KP40279.6	Lock Channel, Box/Box/Box	1
	2.KP40279.6	Lock Channel, Box/File	1
	2.KP40279.7	Lock Channel, Pencil/Box/Box/Box	1
	2.KP40279.7	Lock Channel, Pencil/Box/File	1
	2.KP40279.8	Lock Channel, Box/Box/Box/Box	1
	2.KP40279.8	Lock Channel, Box/Box/File	1
	2.KP40279.8	Lock Channel, File/File	1