

# Repair & Replacement Instructions

KI 700 Series/E-Series/U-Series/Series XXI

Interlock Test & Repair

July 2015

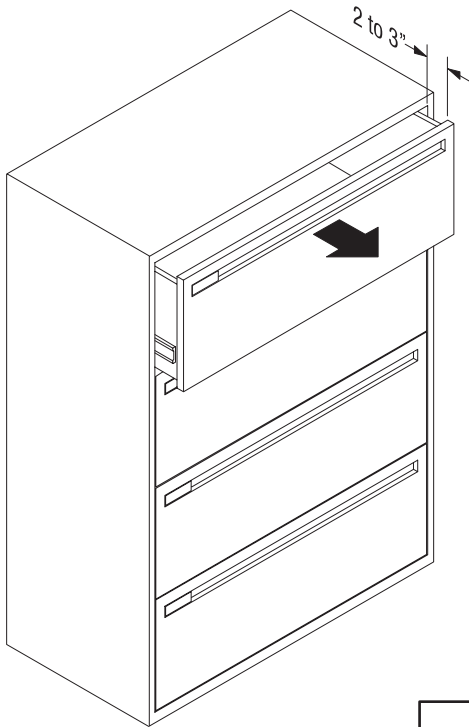
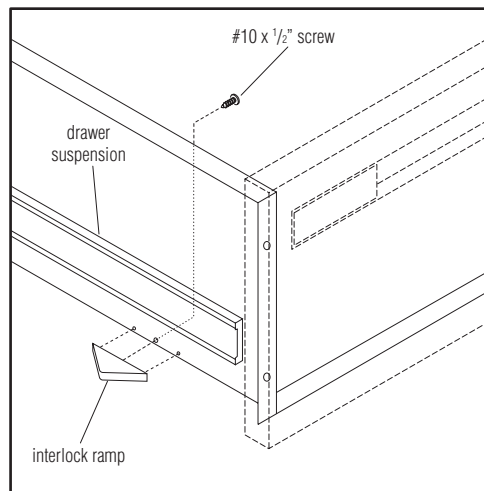


Figure 1



Detail A



Assemble units as described herein only. To do otherwise may result in instability. All screws, nuts and bolts must be tightened securely and must be checked periodically after assembly. Failure to assemble properly, or to secure parts may result in assembly failure and personal injury.

## Checking the Interlock System

**Note:** These instructions show an illustration of lateral files, but apply to various unit types.

1. Starting at the top of the unit, open the top drawer/roll-out shelf 2" to 3". This will activate a functioning interlock (Figure 1).
2. With the top drawer still open, attempt to open each of the remaining drawers, one at a time in the cabinet.
3. Repeat the above procedure with each other drawer/roll-out shelf, opening it 2" to 3", then testing the drawer/roll-out shelf for proper interlock function against other drawer/roll-out shelves in the cabinet.

**If at any time more than one drawer or roll-out shelf can be opened at a time, the interlock system is NOT functioning properly and must be repaired immediately.**

## Repairing a Faulty Interlock System

1. Starting at the top of the unit, extend the top drawer/roll-out shelf. Remove the plastic triangular "interlock ramp" located at the front, bottom corner, on the outside of the left drawer end (Detail A).

**Note:** To perform step 1 above, it may be necessary to remove file folders from the drawer.

2. Install the new ramp provided with the #10 x 1/2" screw from inside the shelf.
3. Repeat steps 1 & 2 for each drawer/roll-out shelf in the cabinet.
4. Once all new interlock ramps are installed, check function of the system as instructed in "Checking the Interlock System" above.

**Note:** If the interlock still does not function properly after completing the above, or if you have any questions or concerns, contact your KI Customer Service.

