

Assembly Instructions

KI 700 Series Pedestal (shown)

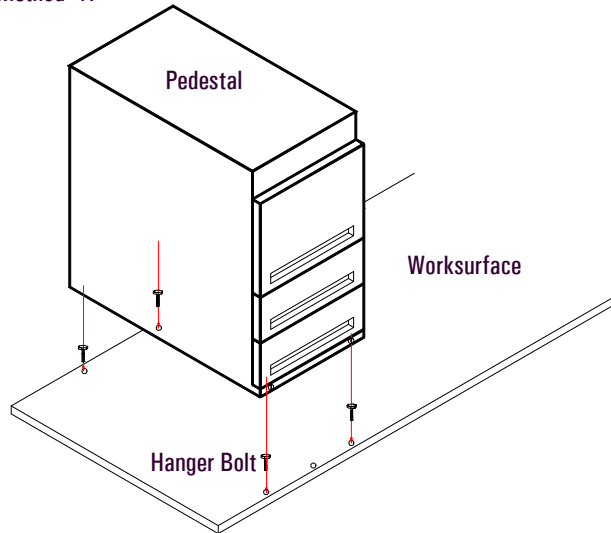
E-Series Pedestal/Areus Pedestal/Systems Wall Pedestal

September 1997

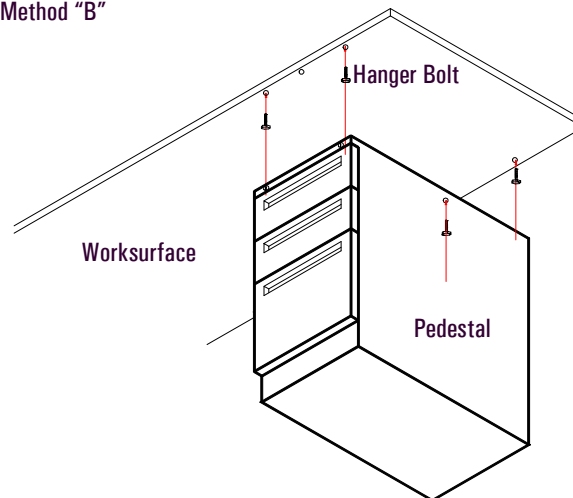
KI Pembroke
P.O. Box 580
1000 Olympic Drive
Pembroke, Ontario
K8A 6X7

TEL (613) 735-5566
FAX (613) 735-3333

Method "A"



Method "B"



Mounting Hanging/Worksurface Supporting Pedestal to Worksurface

Method "A"

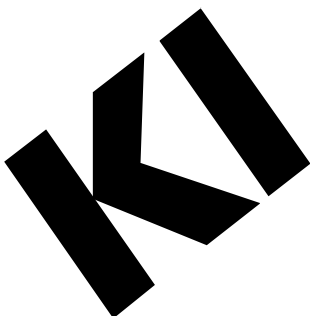
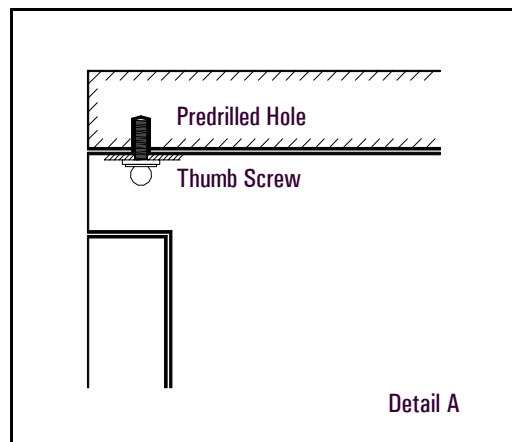
1. To avoid scratching the worksurface, place face down on a protective surface.
2. Determine on which side will be used.
3. Install (4) hanger bolts into the 13/64" dia. holes. CAUTION: Do not over tighten.
4. Position back of pedestal to engage with back hanger bolts and slide backward enough to allow front key slots to engage.
5. Install thumb screw through pedestal top and into predrilled hole in the worksurface. Thumb screw must be installed to lock pedestal to the worksurface (Detail A).

Method "B"

NOTE: For hole locations on unmarked tops, refer to reverse side.

1. This method should be used only when attaching a pedestal to worksurface that cannot be placed face down on the floor.
2. Follow instructions in Method "A" excluding step 1.

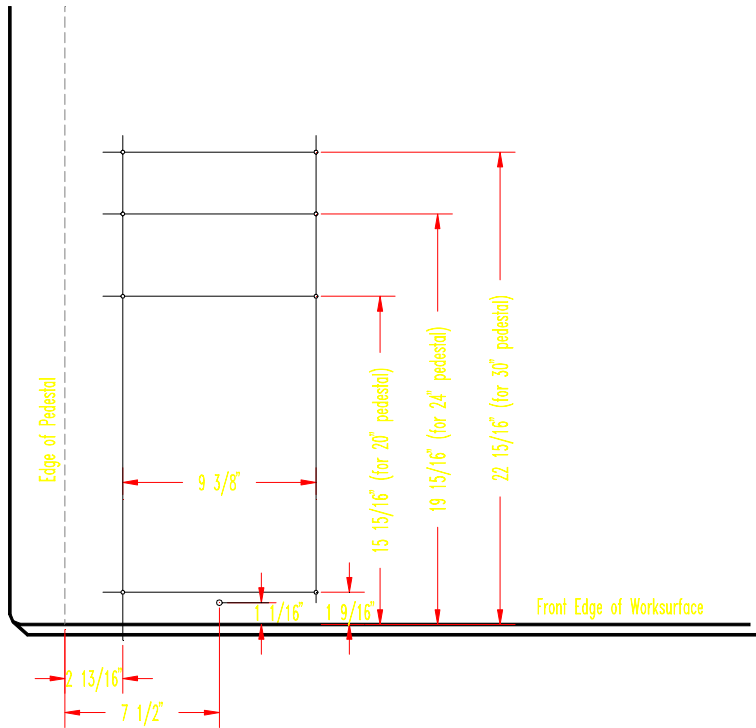
CAUTION: To avoid injury this operation requires more than one person to install pedestal.





CAUTION

Assemble units as described herein only. To do otherwise may result in instability. All screws, nuts and bolts must be tightened securely and must be checked periodically after assembly. Failure to assemble properly, or to secure parts may result in assembly failure and injury.

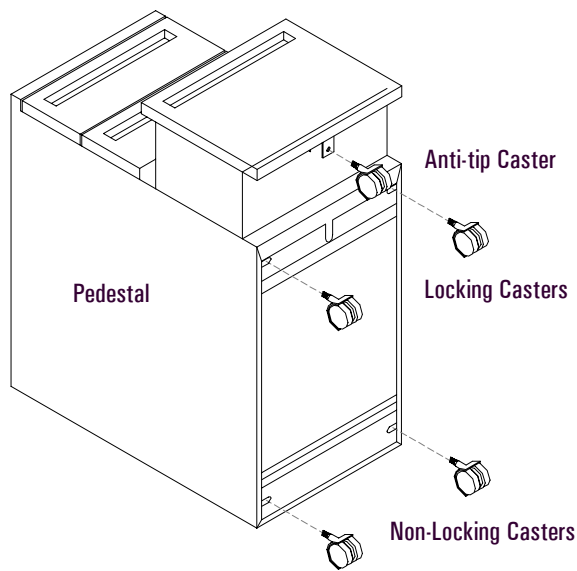


Drill Hole Locations on Unmarked Worksurfaces

NOTE: All vertical dimensions assume pedestal to be mounted 1/16" back from front edge of worksurface.

NOTE: All holes except as noted 3/16" dia. x 3/8" deep. Assumes use of supplied screws drilled into 1 1/4" particleboard or equivalent.

Mobile Pedestal Caster Installation



1. Four casters are provided (five if applicable) for installation into the base of the pedestal. Four similarly sized casters should be installed in the cabinet; and if applicable the smaller caster should be installed into the drawer body.
2. The four large casters should be threaded into the inner hole of each weld nut. The two locking type casters should be installed at the front of the unit; the two non-locking type casters at the back of the unit. Thread the caster shank fully into the weld nut. The shoulder of the shank should be flush with the weld nut.
3. If applicable, extend the bottom drawer slightly to expose the caster mount. Thread the small anti-tip caster shank fully into the weld nut on the bottom of the drawer body. The shoulder of the caster shank should be flush with the weld nut.