

Assembly Instructions

KI 700 Series/E-Series/Areus/System Wall Pedestals

July 2015

Mounting Worksurface Supporting Pedestals to Worksurface

Method "A"

1. To avoid scratching the worksurface, place face down on a soft protective surface (Figure 1).

Note: For installation of pedestal to worksurface without holes pre-drilled to underside, see Figure 3, next page.

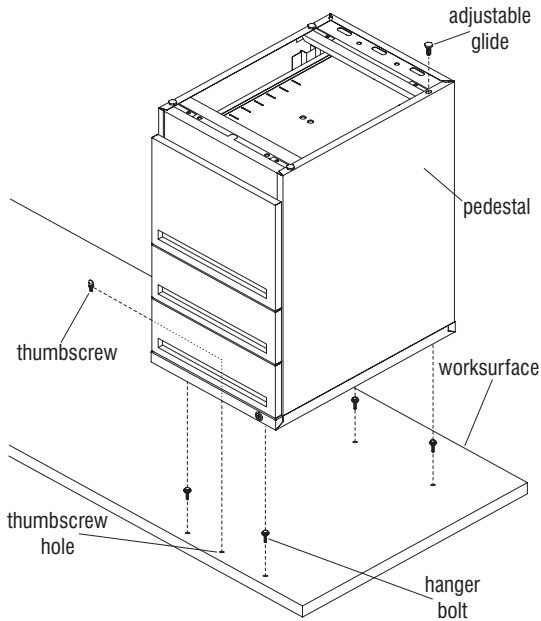
2. Determine on which side of the worksurface the pedestal will install to, then twist four hanger bolts into the $\frac{13}{64}$ " dia. worksurface holes. **Caution:** Do not over-tighten bolts.
3. Position pedestal so hanger bolts insert through top of pedestal at larger opening of keyhole slots. Then slide pedestal back to engage four hanger bolts in smaller slot of keyholes (Figure 1).
4. Open top drawer of pedestal and locate front, center hole in pedestal. Make sure pedestal mounting hole aligns with predrilled hole in worksurface and install thumbscrew through pedestal, into worksurface to secure pedestal in place (Detail A).
5. Once pedestal is secured to underside of worksurface, and worksurface is right-side up at its final location on-site, adjust the four glides under the pedestal to achieve a level, stable worksurface.

Method "B"

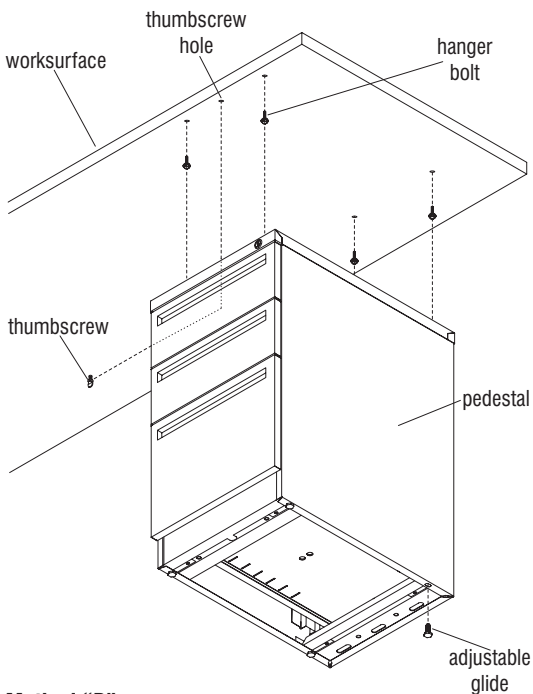
Note: This method should be used only when attaching a pedestal to worksurface that cannot be placed face down on the floor.

1. Follow notes and instructions in Method "A" excluding step 1 (Figure 2).

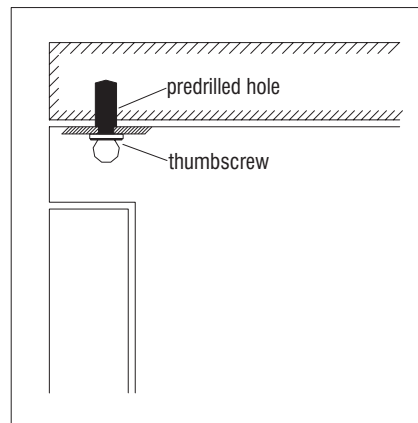
Caution: To avoid injury this operation requires more than one person to install pedestal.



Method "A"
Figure 1



Method "B"
Figure 2



Detail A



Assemble units as described herein only. To do otherwise may result in instability. All screws, nuts and bolts must be tightened securely and must be checked periodically after assembly. Failure to assemble properly, or to secure parts may result in assembly failure and personal injury.



Assemble units as described herein only. To do otherwise may result in instability. All screws, nuts and bolts must be tightened securely and must be checked periodically after assembly. Failure to assemble properly, or to secure parts may result in assembly failure and personal injury.

Mobil Pedestal Casters Installation

Note: Five casters are provided for installation to the base of the mobile pedestal. Four larger casters will thread into the four corners of the pedestal base. One smaller anti-tip caster will fasten to the front of the drawer body for all except file/file units.

1. Thread the four larger casters into the inner-most weld-nuts at each corner of the pedestal base (Detail B). Position two casters with locking brakes at the front of the unit. Be sure to twist the caster shank in tight such that the shoulder of the shank is flush and tight to the weld-nut (Figure 4).
2. If applicable, extend the bottom drawer of the pedestal out to expose the center caster mount. Fasten the anti-tip caster to the drawer bracket and secure firmly in place with the 5/16-18 lock washer nut (Figure 4).

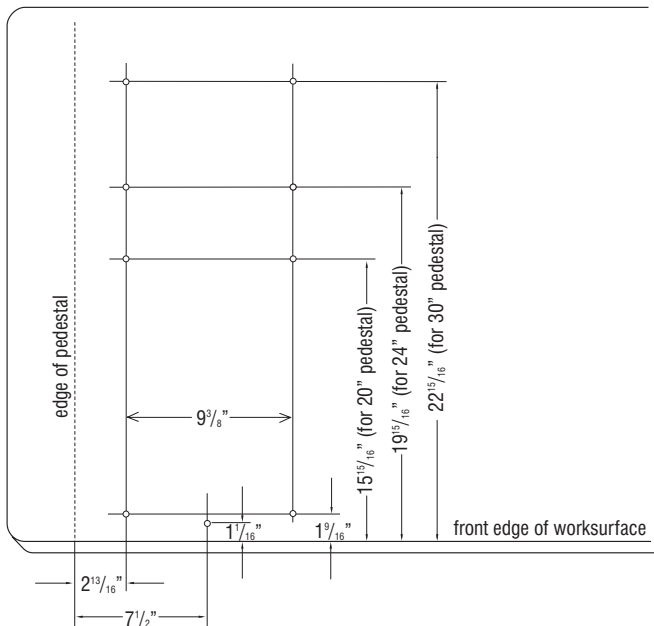


Figure 3

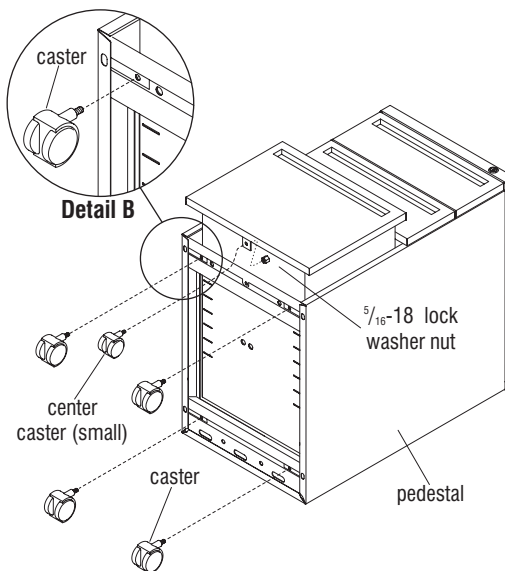


Figure 4