

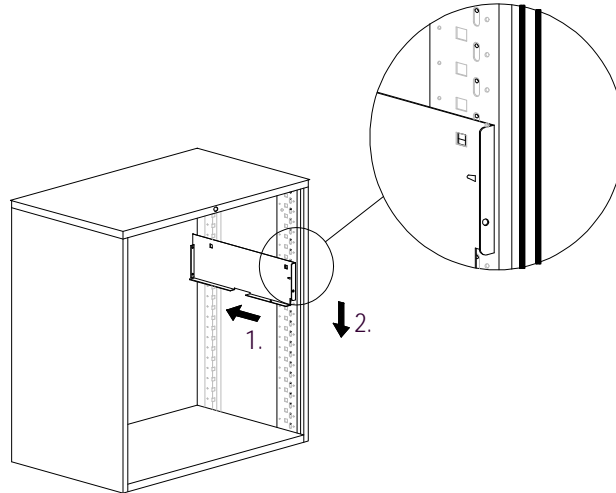
Assembly Instructions

KI 700 Series End Tab Shelf Insertion & Removal

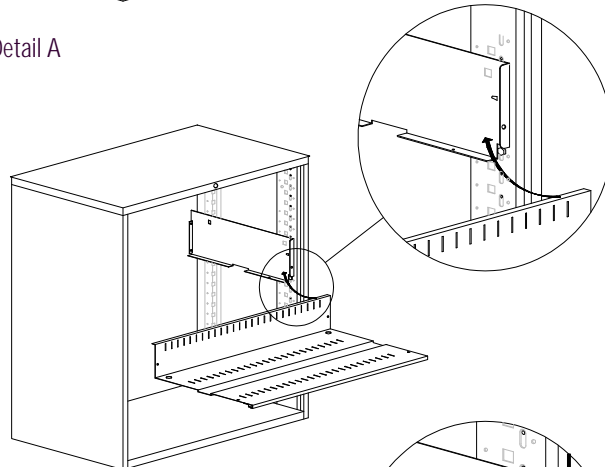
December 1998

KI Pembroke
P.O. Box 580
1000 Olympic Drive
Pembroke, Ontario
K8A 6X7

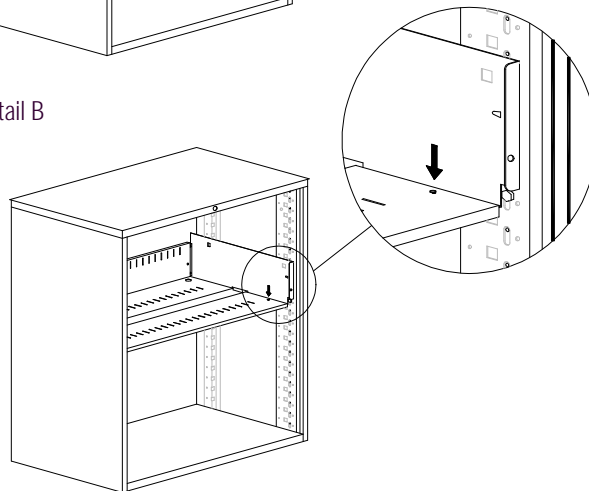
TEL (613) 735-5566
FAX (613) 735-3333



Detail A



Detail B



Detail C

Tools Required

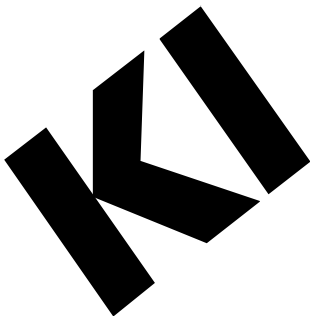
- Rubber Mallet Hammer
- Phillips Screwdriver

End Tab Shelf Insertion

1. Insert support brackets at the desired height by sliding tabs on the bracket into the appropriate square hole in the cabinet rear uprights. Using slight force push front tab on the bracket down into the hole in the front upright, Detail A.
2. Resting end tab shelf on bottom flange of each support bracket keeping back of end tab shelf between lock stud and front corner of support bracket Detail B. Slide end tab shelf into place.
3. Using a Phillips screwdriver, secure each end of shelf in place using (2) #10 x 1/2" screws Detail C.

End Tab Shelf Removal

1. Using Phillips screwdriver, remove the (2) screws on the end tab shelf at each support bracket Detail C.
2. Remove end tab shelf from unit, noting that it must travel between lock stud and front corner of the support bracket Detail B.
3. Remove each of the support brackets by lifting upward on front of bracket and with slight force pull forward to release bracket.



CAUTION

Assemble units as described herein only. To do otherwise may result in instability. All screws, nuts and bolts must be tightened securely and must be checked periodically after assembly. Failure to assemble properly, or to secure parts may result in assembly failure and injury.