

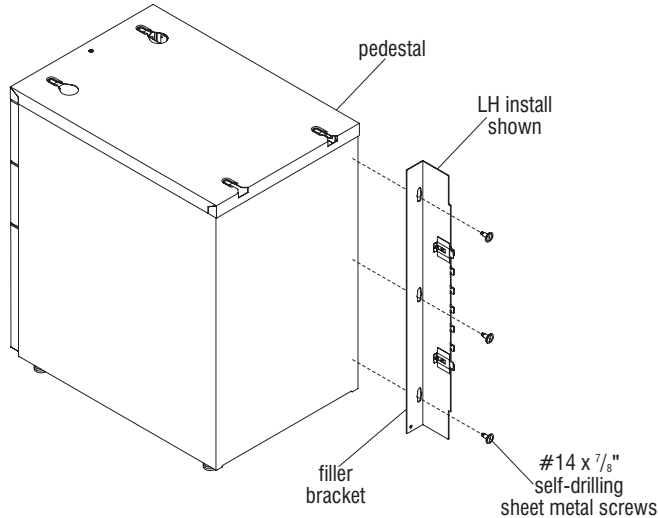
# Assembly Instructions ■

## 700 Series® Filing & Storage

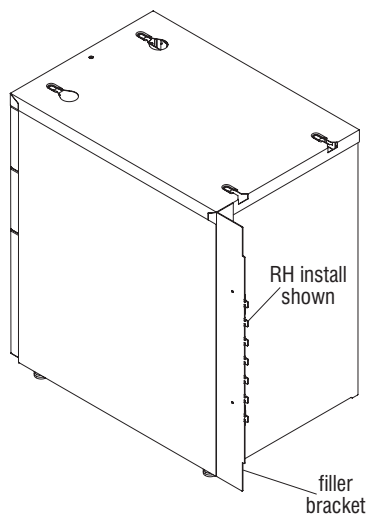
Worksurface Supporting Pedestal & Filler Bracket

January 2016

**Tip:** A small piece of double-sided tape will help hold the bracket in alignment to the pedestal while driving the self-drilling and tapping screws into place.



**Figure 1**



**Detail A**



Assemble units as described herein only. To do otherwise may result in instability. All screws, nuts and bolts must be tightened securely and must be checked periodically after assembly. Failure to assemble properly, or to secure parts may result in assembly failure and personal injury.

### Filler Bracket Installation

1. Locate the filler bracket flush to the top, bottom and side edge of the pedestal as shown (Figure 1).

**Important:** Care should be taken to ensure that the filler bracket is aligned well with the top, bottom and side of the cabinet for cosmetic integrity and safe installation of the worksurfaces. Using a small piece of double-sided tape at the top and bottom of the bracket to hold it in place can aid in alignment of the filler bracket.

**Note:** For left-hand installations align the filler bracket with the left side of the cabinet. For right-hand installations align the bracket with the right side of the cabinet (Detail A).

2. Using the four #14 x 7/8" self-drilling sheet metal screws carefully secure the filler bracket to the pedestal (Figure 1).

## 700 Series® Pedestal - Worksurface Supporting & Filler Bracket

### Assembly Instructions



Assemble units as described herein only. To do otherwise may result in instability. All screws, nuts and bolts must be tightened securely and must be checked periodically after assembly. Failure to assemble properly, or to secure parts may result in assembly failure and personal injury.

### Pedestal to Panel Installation

3. Turn the pedestal glides as far into the cabinet as they will go (Figure 2).
4. Carefully position the filler bracket teeth into the corresponding slots on the panel frame. If necessary adjust the height of the panel by using the panel glide (Figure 2).
5. When the filler bracket teeth are fully engaged in the panel frame turn the pedestal and secure the teeth into the panel slots (Figure 2).
6. To lock the bracket into the panel frame, press the slide lock clip to engage into the frame slot. For both right-and left-hand installations press in the top clip of the bracket. Then, use a #14 x 2" screw and tighten into the clip and bracket from inside the bracket (Detail B).

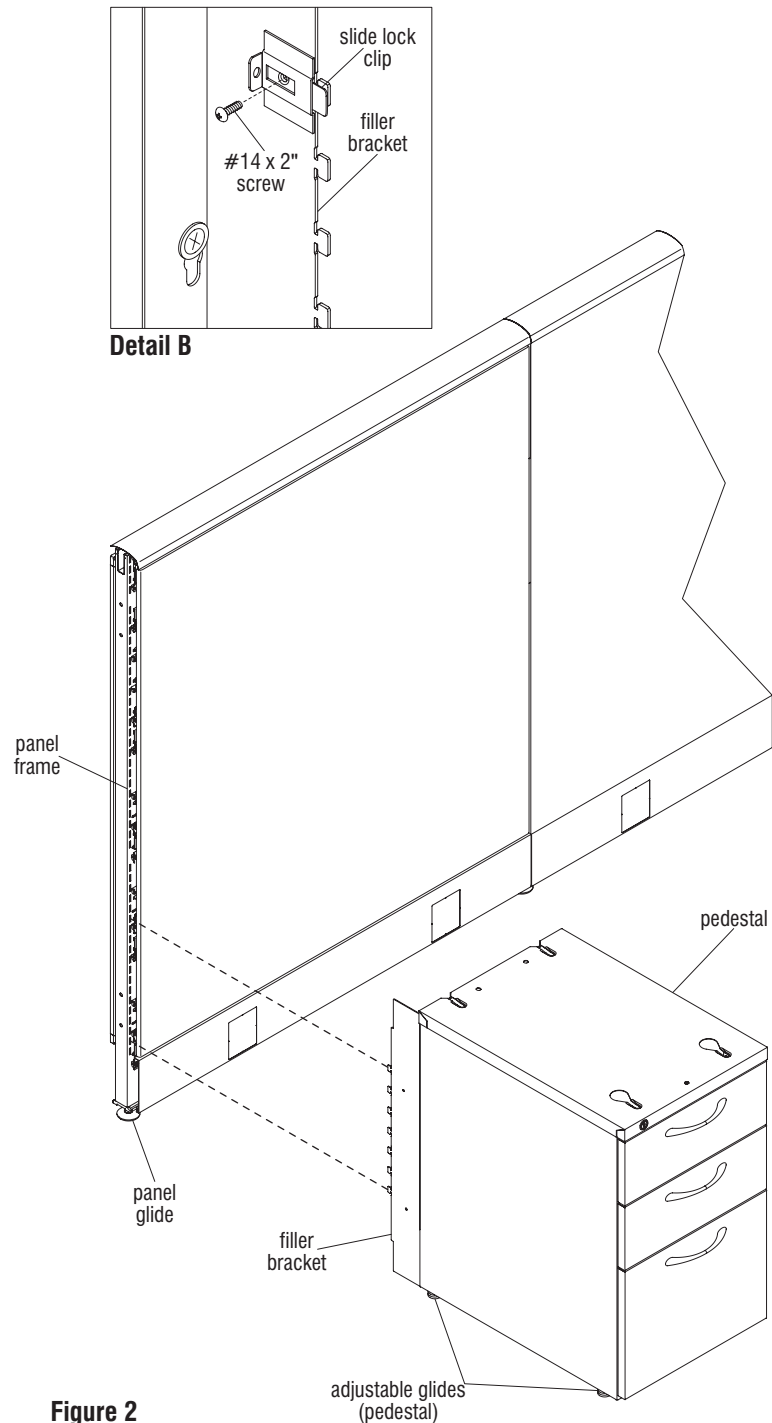


Figure 2



Assemble units as described herein only. To do otherwise may result in instability. All screws, nuts and bolts must be tightened securely and must be checked periodically after assembly. Failure to assemble properly, or to secure parts may result in assembly failure and personal injury.

**Worksurface to Pedestal Installation**

7. Empty all affected file drawers and open drawer until suspension is fully extended (Figure 3).

8. Using a slot screwdriver, place tip between the drawer body and the suspension, near the slip connection. Rotate the screw driver to pry the suspension away from the drawer body, while pressing up on the bottom of the drawer. The drawer will now slip free from the rear connections by pulling the drawer evenly at a slight angle upwards (Figure 3).

9. Worksurface supported by a pedestal on only one side will require support on the other. Attach other suitable support to the panel such as a cantilever bracket at this time. Your configuration may vary (Figure 3).

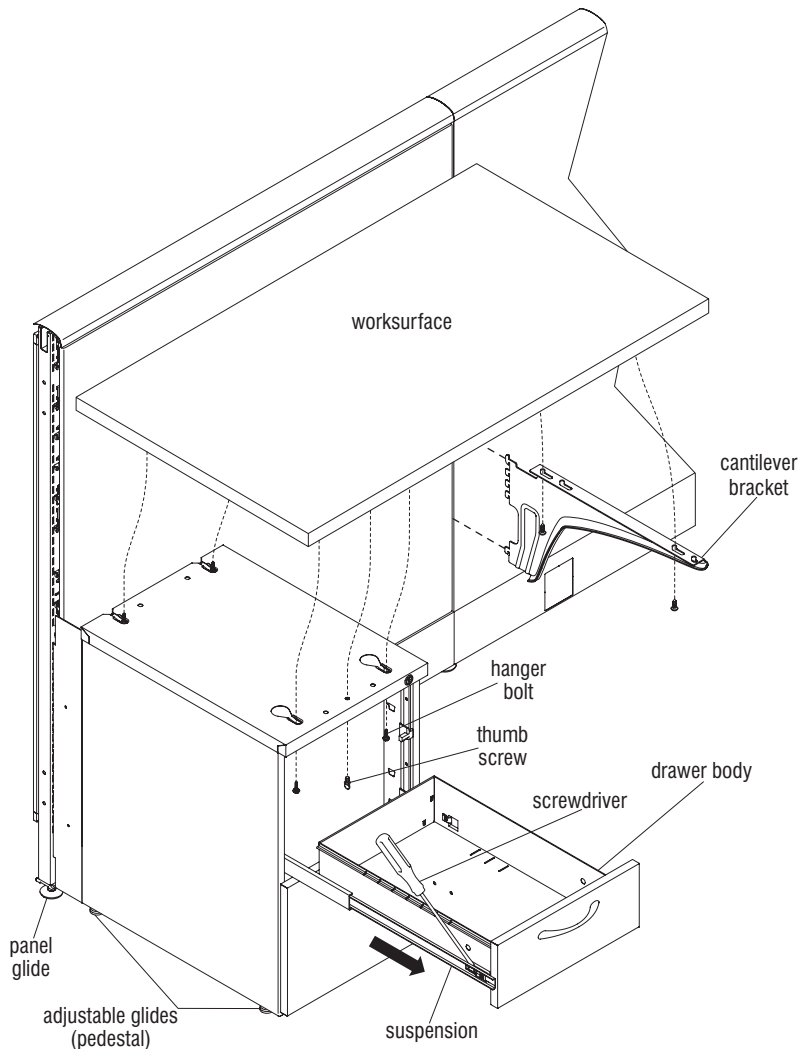
10. To install worksurface to the pedestal, align pre-drilled holes on worksurface with those on the pedestal and twist in four hanger bolts and one thumb screw through the pre-drilled holes from inside the pedestal (Figure 3).

11. Secure other side of worksurface to suitable specified support (cantilever bracket shown) with appropriate hardware provided (Figure 3).

12. Re-install drawer(s) by first extending suspension out of cabinet.

13. Slide the rear slip connection together by aligning the tab or the suspension with the corresponding slot in the drawer body. Hold suspension firmly while pushing the drawer, making sure the slip connection is together properly.

14. If the rear slip connection is put in place correctly, the front connection tabs will align and the drawer can be pushed down and snapped into place.



**Figure 3**

KI  
1330 Bellevue Street  
P.O. Box 8100  
Green Bay, Wisconsin 54308-8100  
1-800-424-2432  
[www.ki.com](http://www.ki.com)

KI is a registered trademark  
of Krueger International, Inc.

© 2016 Krueger International, Inc.  
All Rights Reserved  
Code KI-62177/KI/PDF/0116

2.40850

