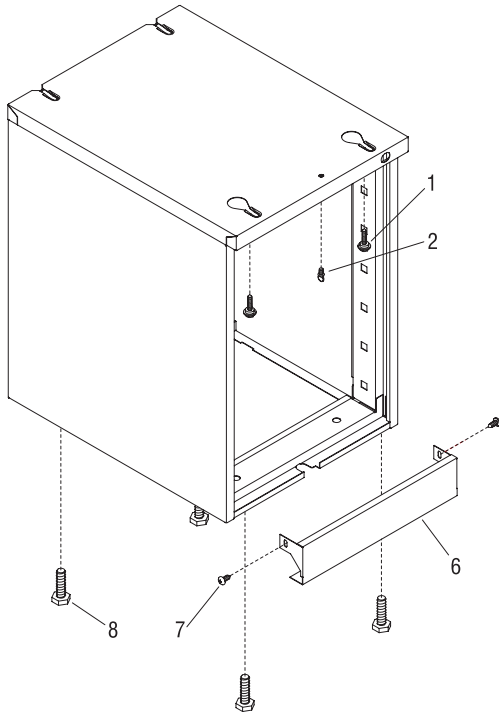


Parts Diagram ■

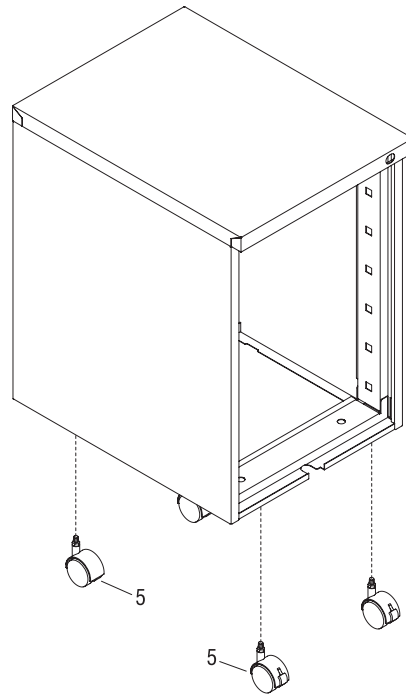
700 Series® Pedestal

Pedestal Shells - Mobile, Freestanding & Worksurface Supporting

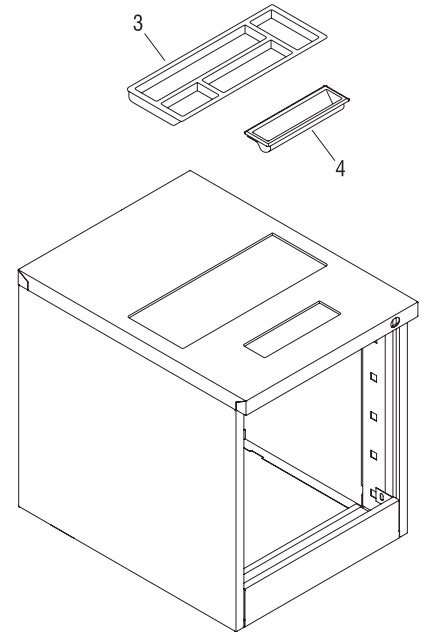
September 2017



Worksurface Supporting Pedestal



Mobile & Freestanding Pedestal



Mobile Tray & Pull Pedestal

See pricelist for counterbalance weights.

Item	Part Number	Item Description	Qty
1	2.KP20201	Hanger Bolt, #14 x 7/8"	4
2	2.KP20046	Thumb Screw, 1/4-20 x 1/2"	1
3	2.KP20300	Tray, Pencil	1
4	2.KP80398.BL	Pull, Pocket	1
5	2.KP20443	Kit, Caster (2 standard, 2 with brake, 1 fifth wheel)	1
6	2.KP40169	Base Panel	1
7	2.KP20171	Screw, #10 x 1/2" PH Type AB Self-Tapping	2
8	2.KP20425	Adjustable Glide, 5/16-18 x 1 1/4"	4