

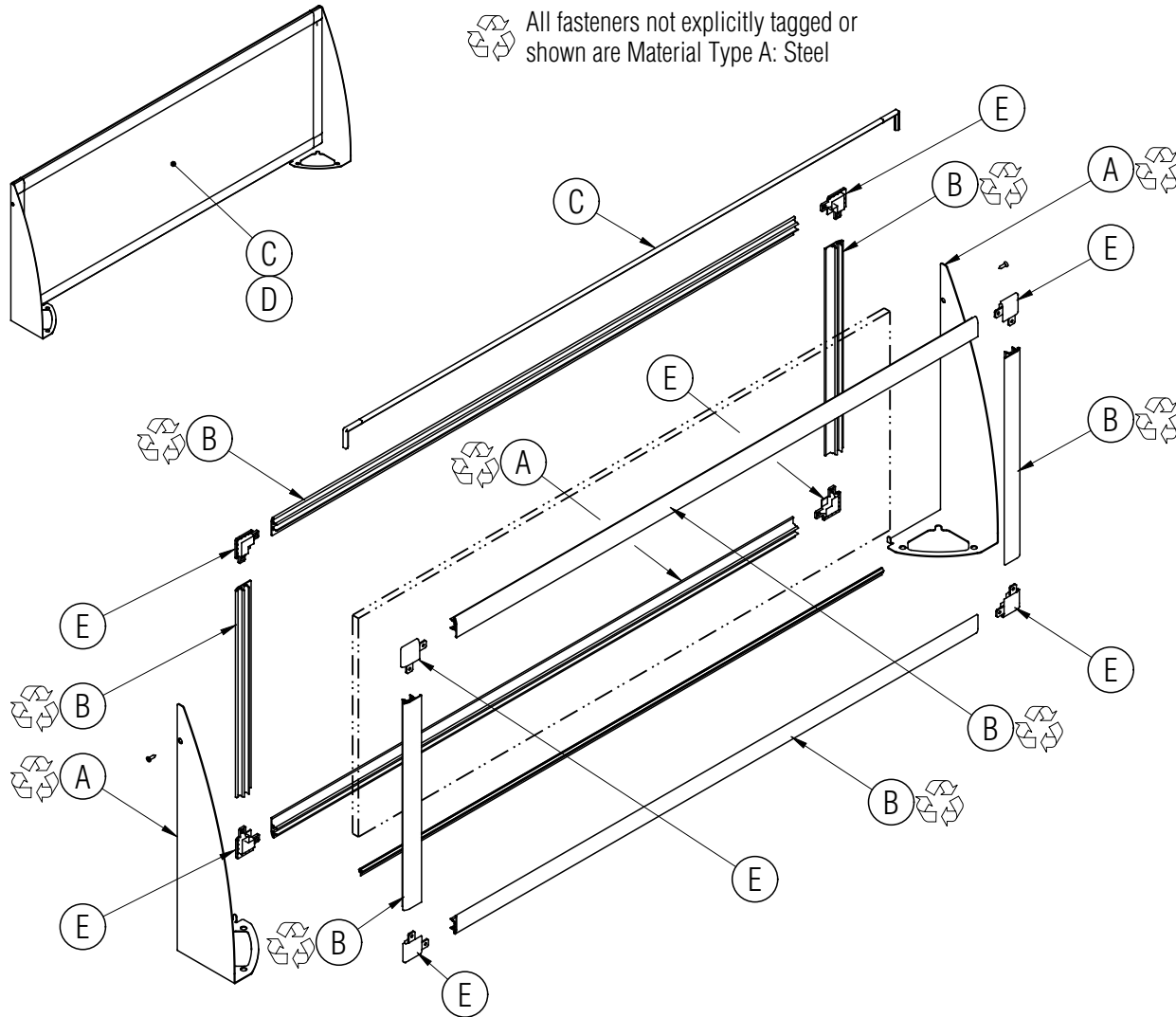
# Disassembly Instructions



Table / Desk Mounted Screens: 700 Series, True, Genesis

Material Type:      A. Steel                  B. Aluminum                  C. Plastic                  D. Wood                  E. Zinc

All fasteners not explicitly tagged or shown are Material Type A: Steel



## Procedure:

1. Remove the screws holding the screen support to the table or desk top and remove the screen.
2. Remove screws holding the screen supports to the screen and remove the supports.
3. Pry frame apart 2.5" away from one corner. Work around the perimeter of the screen continuing to pry frame apart.
4. After the screen frame has been opened, remove the core.
5. Remove any fabric if attached to the frame.
6. Snap off corner connectors.

## General Notes:

1. Disassembly time: 10-15 minutes
2. This procedure assumes basic familiarity with hand tools and furniture terminology: no specialized training is required
3. All materials removed and disassembled shall be sorted and segregated with like materials and disposed of or recycled according to recycling availability or waste acceptance
4. For items to be recycled, refer to KI's End of Life Recycling Matrix and KI's End of Life Recovery Options Matrix, available at [www.ki.com](http://www.ki.com)

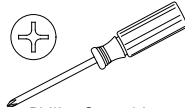
## Required Tools



Safety Glasses



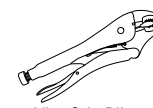
Gloves



Phillips Screwdriver



Pry Bar



Vise Grip Pliers



Scissors