

Assembly Instructions

KI 700 Series Countertop Unit

September 1997

KI Pembroke
P.O. Box 580
1000 Olympic Drive
Pembroke, Ontario
K8A 6X7

TEL (613) 735-5566
FAX (613) 735-3333

Components

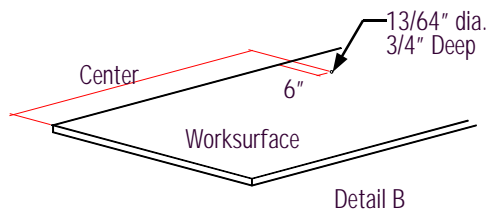
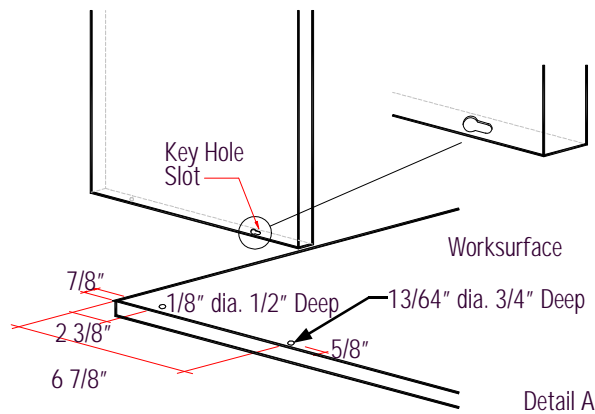
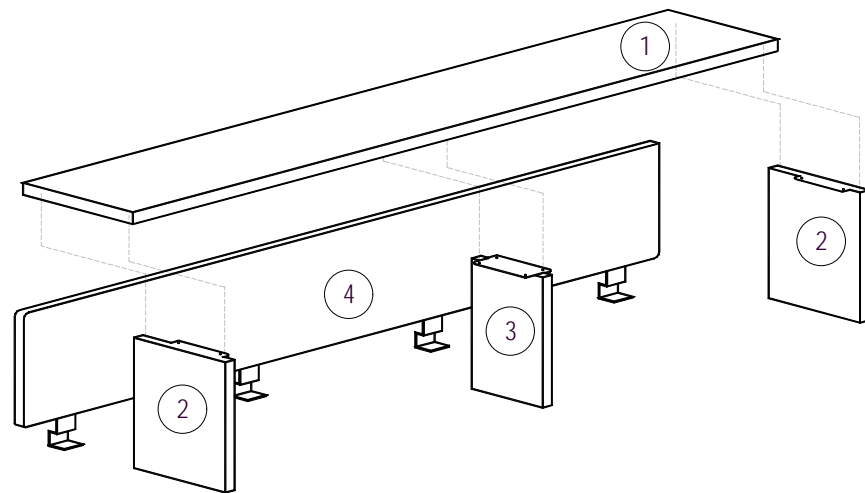
- 1 - Countertop
- 2 - End Panel
- 3 - Center Partition
- 4 - Tack Surface

Tools Required

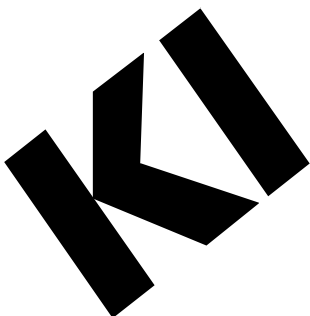
- Phillips Screwdriver
- 3/8" Socket/Wrench
- 7/16" Socket/Wrench
- Drill/Drill Bits 1/8", 13/64"

Hardware Parts List

- (4) #20041 - 1/4-20 x 3/8" Hex Bolts
- (2) #20162 - #8 x 1/2" Screws
- (8) #20192 - #14 x 7/8" Screws
- (3) #20201 - #14 x 7/8" Hanger Screws



1. Drill worksurface (Detail A). Insert hanger screw in 13/64" dia. hole (Repeat for opposite end).
2. Place end panel keyhole slot over hanger screw. Slide end panel into place and secure with (1) #8 x 1/2" screw. Repeat for opposite end.
3. Drill worksurface for center partition (Detail B). Insert hanger screw in 13/64" dia. hole. Place center partition keyhole slot over hanger screw.
4. Place countertop on end panels and fasten with (4) #14 x 7/8" screws in predrilled holes.
6. Using (4) #14 x 7/8" screws fasten countertop to center partition.
7. Fit metal brackets of screen/tackboard to worksurface. Secure in place with (4) 1/4-20 x 3/8" hex bolts.



Assemble units as described herein only. To do otherwise may result in instability. All screws, nuts and bolts must be tightened securely and must be checked periodically after assembly. Failure to assemble properly, or to secure parts may result in assembly failure and injury.