

Assembly Instructions

KI 700 Series Credenza Top

August 1997

KI Pembroke
P.O. Box 580
1000 Olympic Drive
Pembroke, Ontario
K8A 6X7

TEL (613) 735-5566
FAX (613) 735-3333

Components

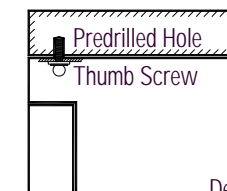
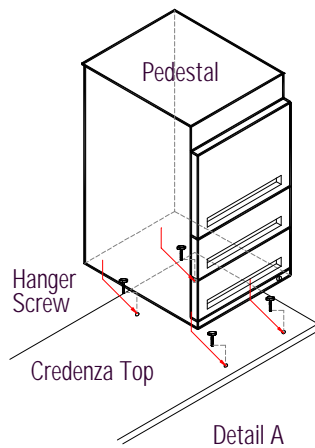
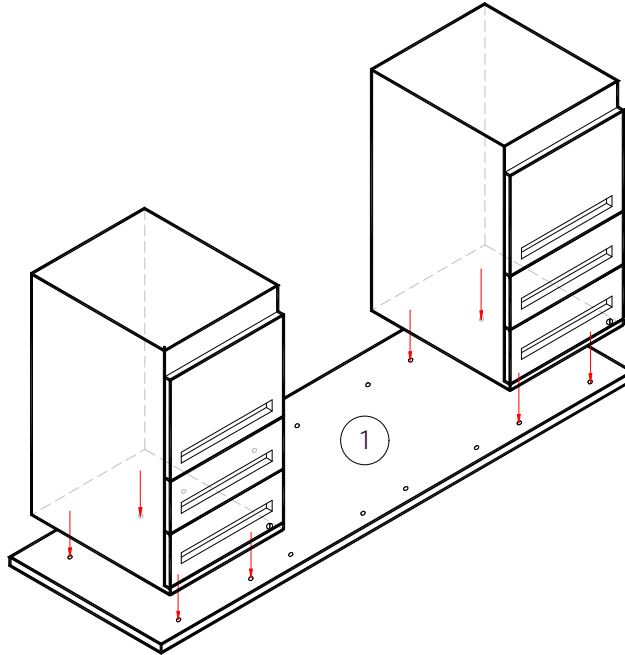
1 - Credenza Top

Tools Required

• 3/8" Socket/Wrench

Hardware Parts List

N/A



1. To avoid scratching work surface, place face down on a protective surface.

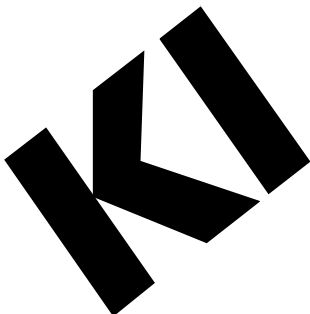
Mounting Pedestal to Credenza Top

Mounting hardware included with pedestal

2. Determine where pedestal(s) will be used.
3. Install (4) hanger screws into 13/64" dia. holes (Detail A).
CAUTION: Do not over tighten.

3. Position back of pedestal to engage with back hanger screws and slide backward enough to allow front key slots to engage. Continue to push backward until full engagement is reached.

4. Open top drawer, install thumb screw through pedestal top and into predrilled hole in the work surface. Thumb screw must be installed to lock pedestal to the top (Detail B).



CAUTION

Assemble units as described herein only. To do otherwise may result in instability. All screws, nuts and bolts must be tightened securely and must be checked periodically after assembly. Failure to assemble properly, or to secure parts may result in assembly failure and injury.