

Assembly Instructions

KI 700 Series Credenza Shell

August 1997

KI Pembroke
P.O. Box 580
1000 Olympic Drive
Pembroke, Ontario
K8A 6X7

TEL (613) 735-5566
FAX (613) 735-3333

Components

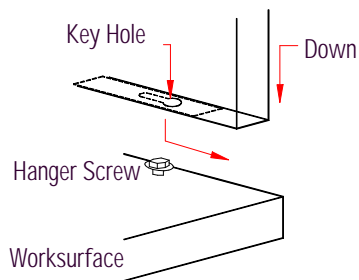
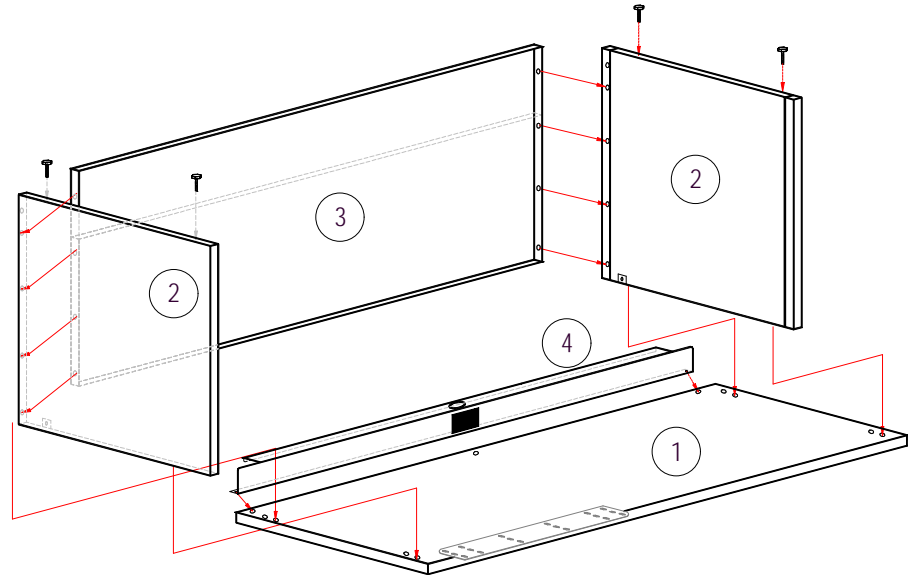
- 1 - Worksurface
- 2 - End Panel
- 3 - Modesty Panel (Full/Partial)
- 4 - Wire Management Channel

Tools Required

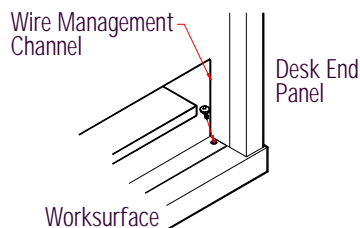
- Phillips Screwdriver
- 3/8" Socket/Wrench

Hardware Parts List

- (12) #20162 - #8 x 1/2" Screws
- (4) #20201 - #14 x 7/8 Hanger Screws
- (4) #20425 - Hex Glides



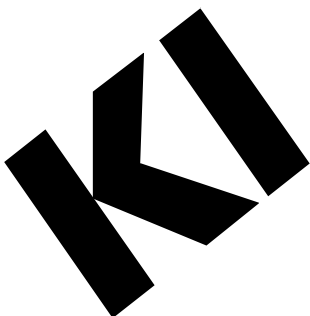
Detail A

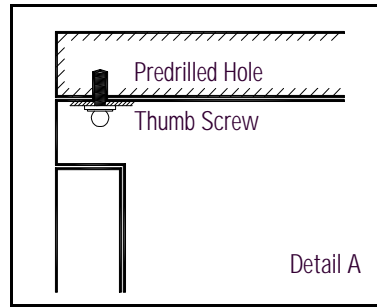
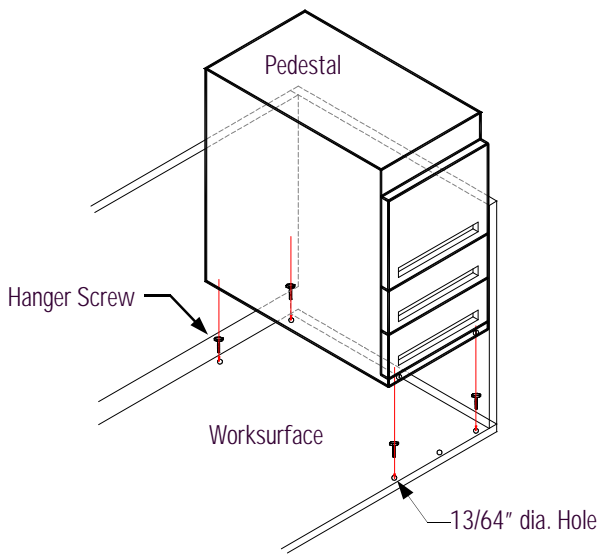


Detail B

1. To avoid scratching worksurface, place face down on a protective surface.
2. Insert (2) hanger screws in predrilled holes for end panels. Place end panel over hanger screws and slide into position (Detail A). Repeat for opposite end.
3. Position modesty panel between end panels, aligning holes with those in end panels, fasten using (3-4)* #8 x 1/2" screws in both ends.
4. Place wire management channel between end panels, product label facing inward, align holes with predrilled holes in worksurface. Bend tabs in end panel over wire management channel (Detail B). Secure channel in place using (3) #8 x 1/2 screws.
5. If attaching bridge/return, align level connector (shipped with bridge/return) with predrilled holes in worksurface. Use (2) #14 x 7/8" screws to attach level connector to worksurface.
6. Screw (4) hex glides in bottom of end panels. See options on reverse.

- * (3) - #8 x 1/2" screws - partial modesty panel
(4) - #8 x 1/2" screws - full modesty panel



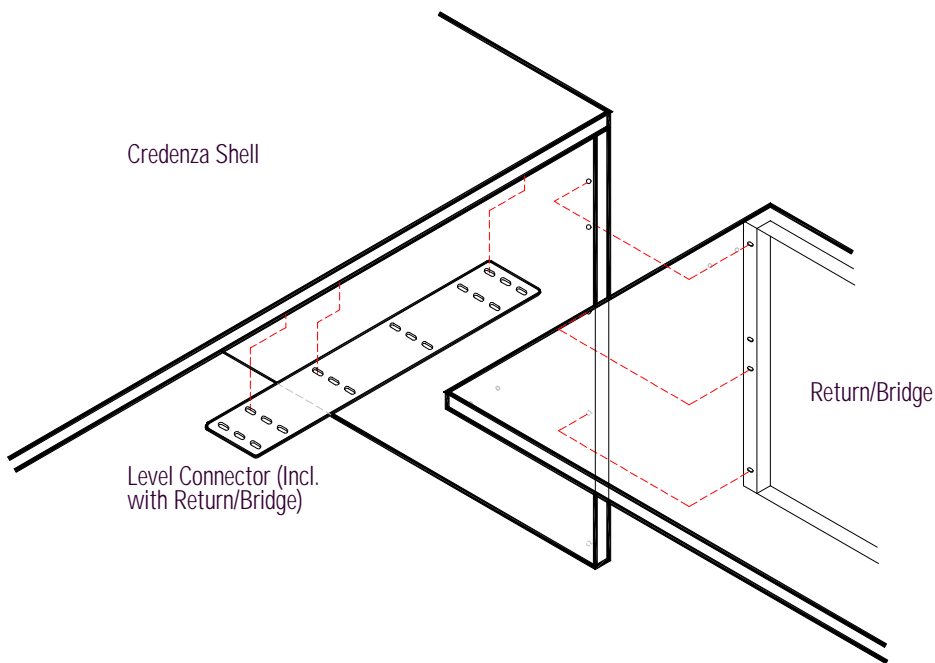


Mounting Pedestal to Worksurface

Mounting hardware included with pedestal.

1. Determine on which side the pedestal will be used.

2. Install (4) hanger screws into 13/64" dia. holes. CAUTION: Do not over tighten.
3. Position back of pedestal to engage with back hanger screws and slide backward enough to allow front key slots to engage. Continue to push backward until full engagement is reached.
4. Open top drawer, install thumb screw through pedestal top and into predrilled hole in the worksurface. Thumb screw must be installed to lock pedestal to the worksurface (Detail A).



Attaching Return/Bridge to Desk

1. Arrange desk return/bridge modesty panel with holes in flange aligned with holes in end panel of desk shell. Fasten with (4) #8 x 1/2" screws.
2. Connect desk return/bridge to connector with (3) #14 x 7/8" screws using predrilled holes in return/bridge top.



Assemble units as described herein only. To do otherwise may result in instability. All screws, nuts and bolts must be tightened securely and must be checked periodically after assembly. Failure to assemble properly, or to secure parts may result in assembly failure and injury.