

Assembly Instructions

KI 700 Series Desk Bridge

August 1997

KI Pembroke
P.O. Box 580
1000 Olympic Drive
Pembroke, Ontario
K8A 6X7

TEL (613) 735-5566
FAX (613) 735-3333

Components

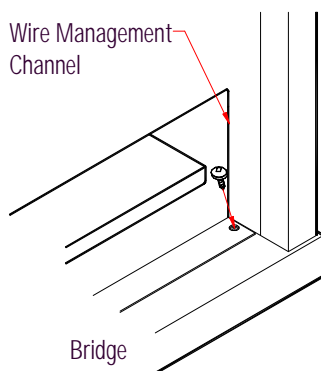
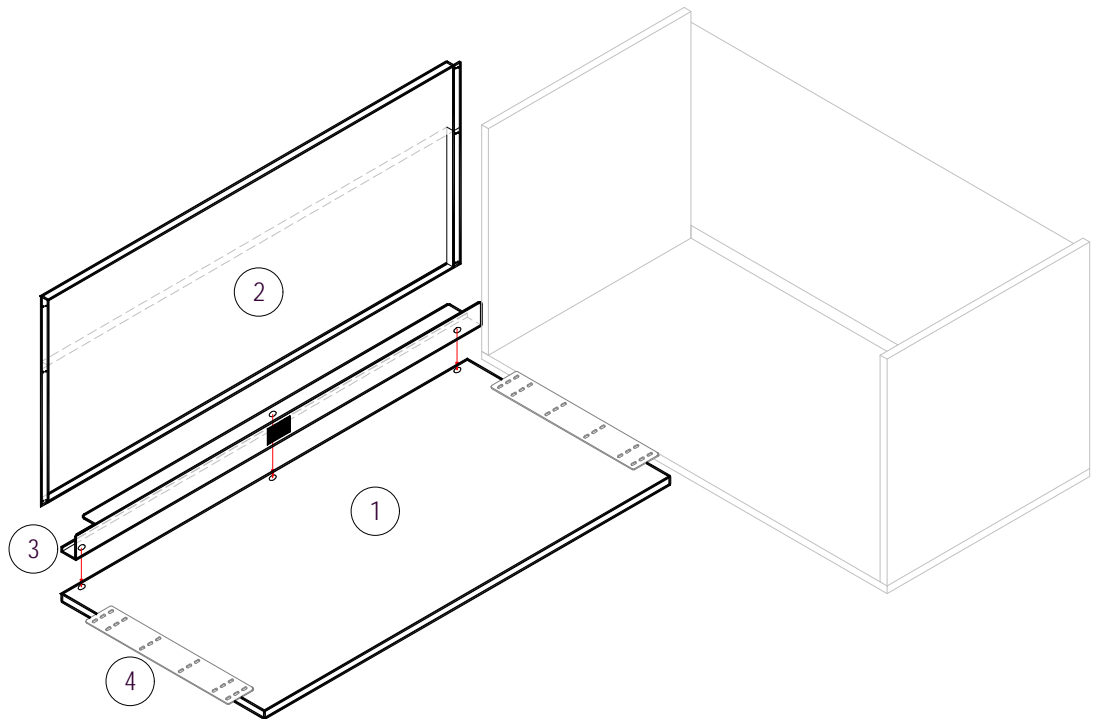
- 1 - Desk Bridge
- 2 - Modesty Panel
- 3 - Wire Management Channel
- 4 - Level or Step Connector

Tools Required

- Phillips Screw Driver

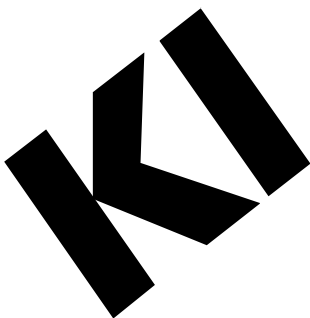
Hardware Parts List

- (16) #20162 - #8 x 1/2" Screws
- (12) #20192 - #14 x 7/8" Screws



Detail A

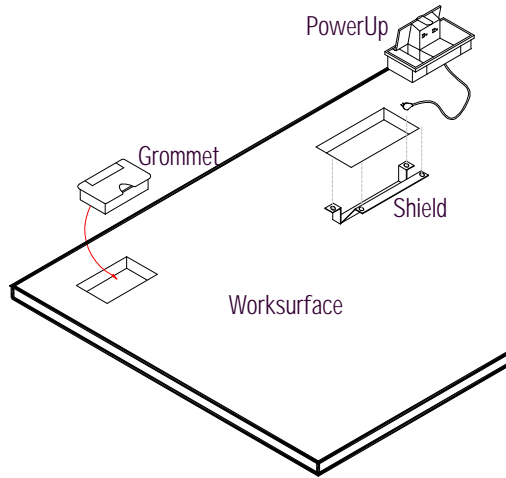
1. To avoid scratching worksurface, place face down on a protective surface.
2. Position wire management channel on top, product identification label facing inward. (Detail A). Secure in place with (3) # 8 x 1/2" screws.
3. Position freestanding worksurfaces appropriate distance apart to receive bridge.
4. Turn desk bridge assembly over, position on level connectors. Secure on place with (6) #14 x 7/8" screws.
4. Position modesty panel between freestanding worksurfaces. Line up with holes in end panels and drive (3/4) #8 x 1/2" screws in either end to fasten components together.
6. Level bridge by adjusting freestanding worksurfaces' hex glides as required.





CAUTION

Assemble units as described herein only. To do otherwise may result in instability. All screws, nuts and bolts must be tightened securely and must be checked periodically after assembly. Failure to assemble properly, or to secure parts may result in assembly failure and injury.



Installing Grommets & PowerUp

1. Press worksurface grommets into wireway holes in worksurface.

PowerUp Only

2. Route cord through the hole in the worksurface. Snap the PowerUp option into the hole in worksurface.
3. Install PowerUp shield to underside of worksurface using (4) #8 x 1/2" screws.