

Assembly Instructions

KI 700 Series Screen/Tackboard

August 1997

KI Pembroke
P.O. Box 580
1000 Olympic Drive
Pembroke, Ontario
K8A 6X7

TEL (613) 735-5566
FAX (613) 735-3333

Components

- 1 - Screen/Tackboard
- 2 - Corner Unit
- 3 - Corner bracket

Tools Required

- 7/16" Socket/Wrench

Hardware Parts List

- (3-4) #20041 - 1/4-20 x 3/8" Hex Bolt
(per tackboard)

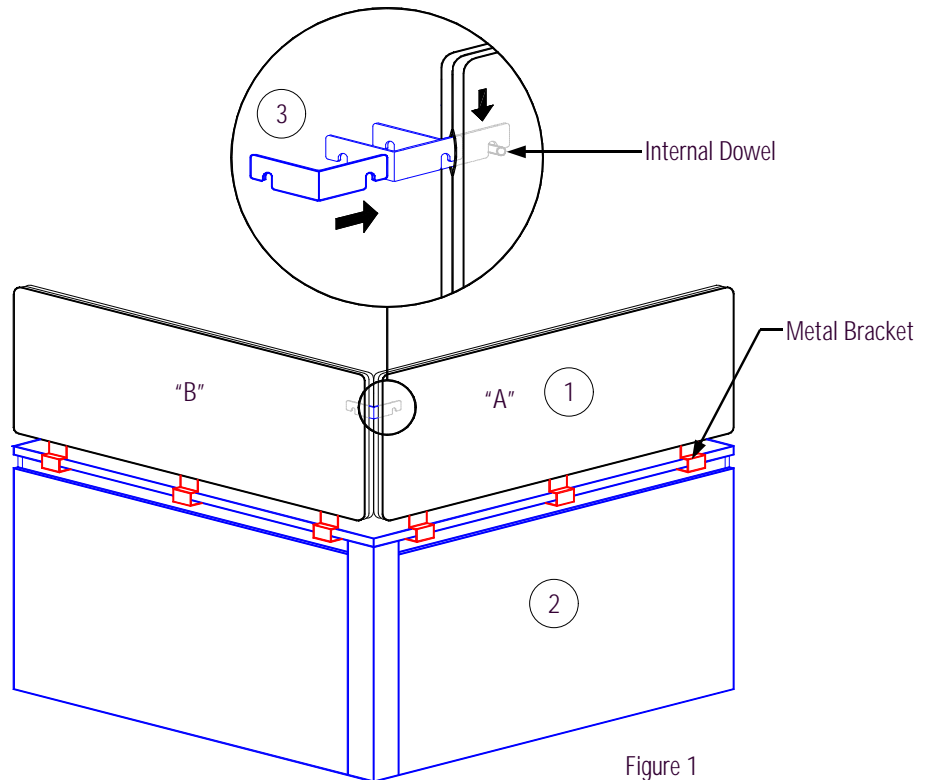
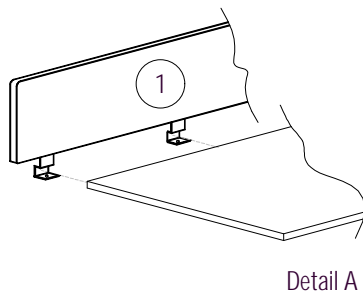
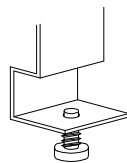


Figure 1



Detail A

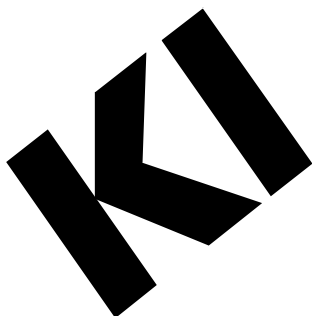


Detail B

1. Fit metal brackets of screen/tackboard(s) to worksurface (Detail A).
2. Secure in place with factory installed screws (Detail B).
3. Repeat Step 2. for corner tackboard "B".
4. Tighten factory installed screws in tackboard metal brackets in all locations.
5. Test function of corner bracket by giving a slight tug on tackboards.

Corner Unit Screen/Tackboard

1. Follow Step one above.
DO NOT TIGHTEN SCREWS.
2. Holding corner bracket at a slight angle, slip between (two) thickness' of tackboard "A". Lower bracket and place on internal dowel (Figure 1).



CAUTION

Assemble units as described herein only. To do otherwise may result in instability. All screws, nuts and bolts must be tightened securely and must be checked periodically after assembly. Failure to assemble properly, or to secure parts may result in assembly failure and injury.