

Assembly Instructions

KI 700 Series Task Light

October 1997

KI Pembroke
P.O. Box 580
1000 Olympic Drive
Pembroke, Ontario
K8A 6X7

TEL (613) 735-5566
FAX (613) 735-3333

Components

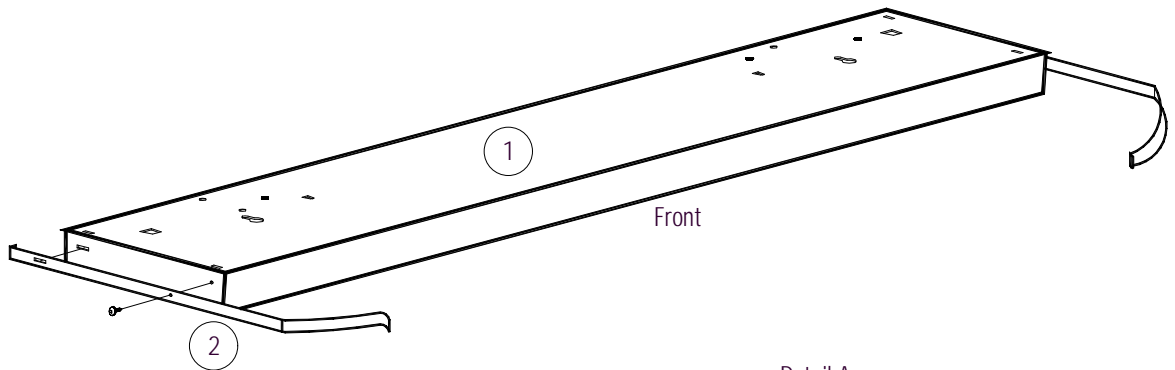
- 1 - Light Fixture
- 2 - Spring Bracket

Tools Required

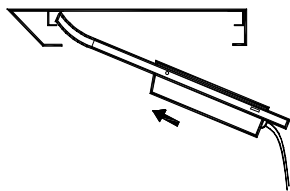
- Phillips Screwdriver

Hardware Parts List

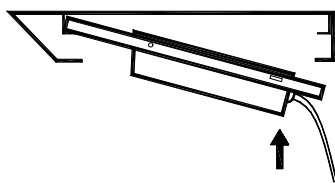
N/A



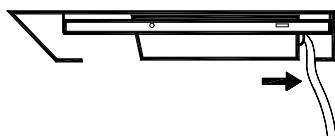
Detail A



Detail B



Detail C



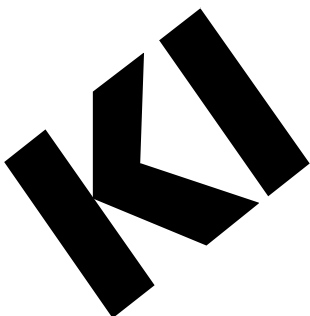
Detail D

Assembly Procedure

1. Attach spring bracket to light fixture by placing detent into mounting slot and securing with screws, one on each side (Detail A).

Installation Procedure

1. Rest front of spring brackets on inside of front ledge of shelf (Detail B).
2. Pull fixture forward (this will deflect front of spring brackets) until back ledge of shelf. Raise fixture up flat against bottom of shelf (Detail C).
3. Move fixture back so that back of spring bracket is resting on back ledge of shelf (Detail D).



CAUTION

Assemble units as described herein only. To do otherwise may result in instability. All screws, nuts and bolts must be tightened securely and must be checked periodically after assembly. Failure to assemble properly, or to secure parts may result in assembly failure and injury.