

# Assembly Instructions

## KI 700 Series Support Panel Location Bracket

June 1998

KI Pembroke  
P.O. Box 580  
1000 Olympic Drive  
Pembroke, Ontario  
K8A 6X7

TEL (613) 735-5566  
FAX (613) 735-3333

### Components

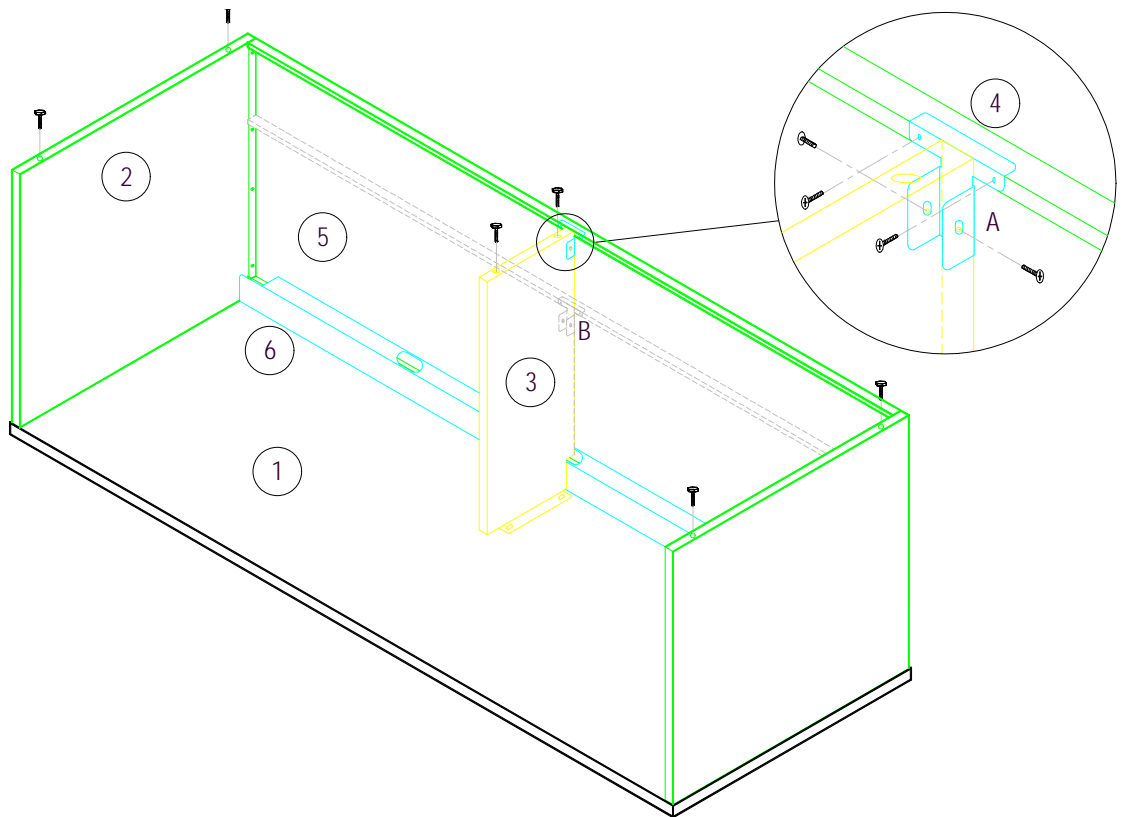
- 1 - Desk/Credenza Worksurface  
Return/Bridge Worksurface
- 2 - End Panel
- 3 - Support Panel (#45421)
- 4 - Location Bracket
- 5 - Desk Back Panel
- 6 - Wire Management Channel

### Tools Required

- Phillips Screwdriver
- Drill/Drill Bits 1/8", 13/64"

### Hardware Parts List

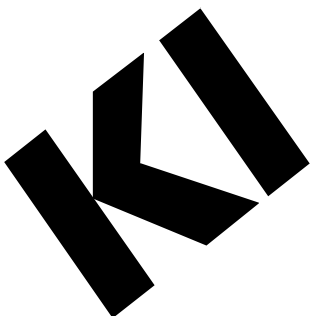
- (4) #20162 - #8 x 1/2" Screws
- (4) #20192 - #14 x 7/8" Screws
- (1) #45424 - Location Bracket



For assembly of Desk Shell See KI 700 Series Desk Shell Assembly Instructions 1-4.

Mark (2) holes from Location Bracket on Modesty Panel and set Support Panel aside.

1. Attach Location Bracket to Support Panel\* using (2) #8 x 1/2" screws.  
\*A - Full Modesty Panel  
\*B - Partial Modesty Panel
2. Locate Support Panel at center of underside of worksurface. If center location is not ideal, determine desired position & mark (4) holes from flange on worksurface.
3. Drill (4) 13/64" dia. x 1/2" deep holes for flange in underside of worksurface and (2) 1/8" holes in Modesty Panel denoting placement of Location Bracket.
4. Set Support Panel in place and fasten to Desk Shell Unit using (4) #14 x 7/8" screws and (2) #8 x 1/2" screws for Location Bracket.



CAUTION

Assemble units as described herein only. To do otherwise may result in instability. All screws, nuts and bolts must be tightened securely and must be checked periodically after assembly. Failure to assemble properly, or to secure parts may result in assembly failure and injury.