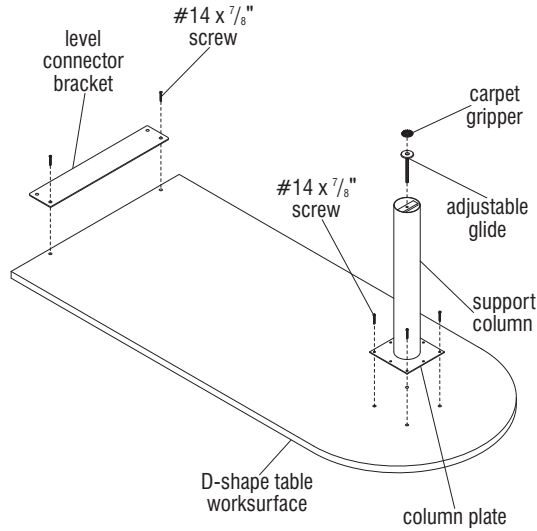


# Assembly Instructions ■

700 Series® Desking

D-Shape Return

September 2015



The D-shape return tables come in different depths and widths but assembly of the components are the same.

1. Position the support column with the column plate over the pre-drilled holes and secure using four #14 x 7/8" screws. Then twist the adjustable glide into the bottom of the support column.

**Note:** Height adjustment of the adjustable glide on the support column may be necessary for the surface of the D-shape return table to mate properly with the main table.

2. If required, install a carpet gripper into the bottom of the adjustable glide.
3. If not already installed, position the level connector bracket over the pre-drilled holes on the underside of the table and secure using two #14 x 7/8" screws.
4. Carefully turn the D-shape return table assembly right side up for the final assembly.



Assemble units as described herein only. To do otherwise may result in instability. All screws, nuts and bolts must be tightened securely and must be checked periodically after assembly. Failure to assemble properly, or to secure parts may result in assembly failure and personal injury.

CAUTION