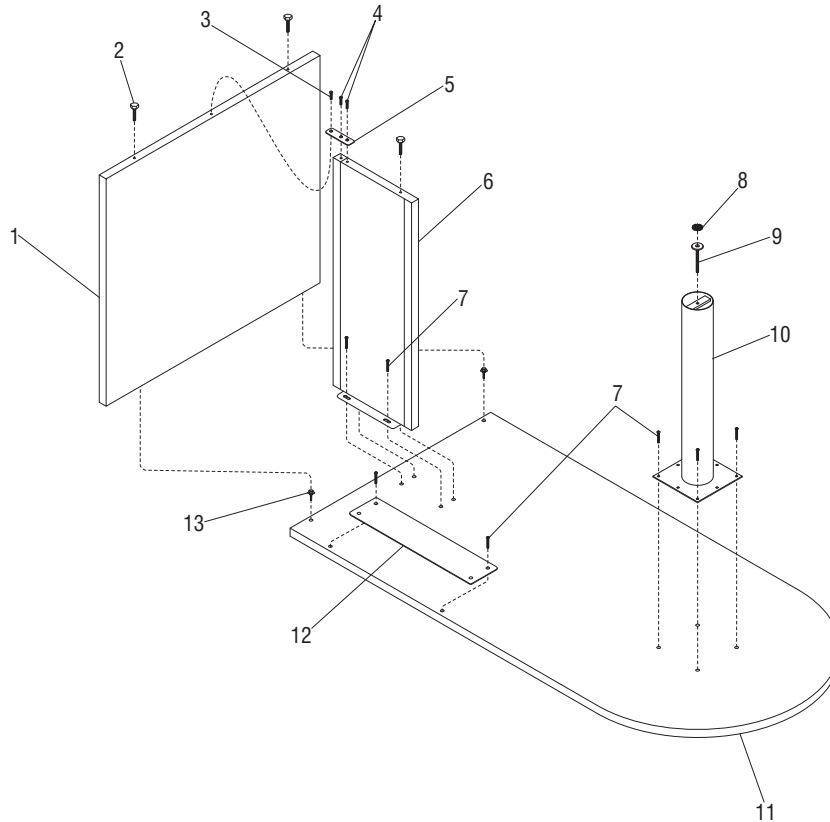


Parts Diagram ■

700 Series® Desking

D-Shape Desk

September 2015



Item	Part Number	Item Description	Item	Part Number	Item Description		
1	2.45207	Panel, 30" x 29" End Assembly	9	31.10.0185	Glide, Panel		
	2.45208	Panel, 36" x 29" End Assembly		10	2.55510	Weldment, D-Leg Tube 27.25"	
	2.45212	Panel, 30" x 29" End Assembly (Right) Grommet			11	7D/DD3060.XXX	Top, Laminate 30" X 60" - "D"
	2.45213	Panel, 36" x 29" End Assembly (Right) Grommet				7D/DD3066.XXX	Top, Laminate 30" X 66" - "D"
	2.45217	Panel, 30" x 29" End Assembly (Left) Grommet				7D/DD3072.XXX	Top, Laminate 30" X 72" - "D"
	2.45218	Panel, 36" x 29" End Assembly (Left) Grommet				7D/DD3660.XXX	Top, Laminate 36" X 60" - "D"
2	2.20425	Glide, Hex 5/16"-18 (Plastic)	7D/DD3666.XXX			Top, Laminate 36" X 66" - "D"	
	2.20203	Screw, #10-16 X 1/2" Ph Selfdrill	7D/DD3672.XXX	Top, Laminate 36" X 72" - "D"			
3	2.20203	Screw, #10-16 X 1/2" Ph Selfdrill	12	2.45450	Connector, Level 20"		
4	2.20162	Screw, #8 X 1/2" Truss Ph AB - Black		2.45451	Connector, Level 24"		
5	2.45428	Bracket, D/P Panel Mount		2.45452	Connector, Level 30"		
6	2.45425	Panel, D/P Assembly		13	2.20201	Screw, Hanger #14	
7	2.20192	Screw, #14 X 7/8 - Black					
8	31.10.0186	Gripper, Carpet					