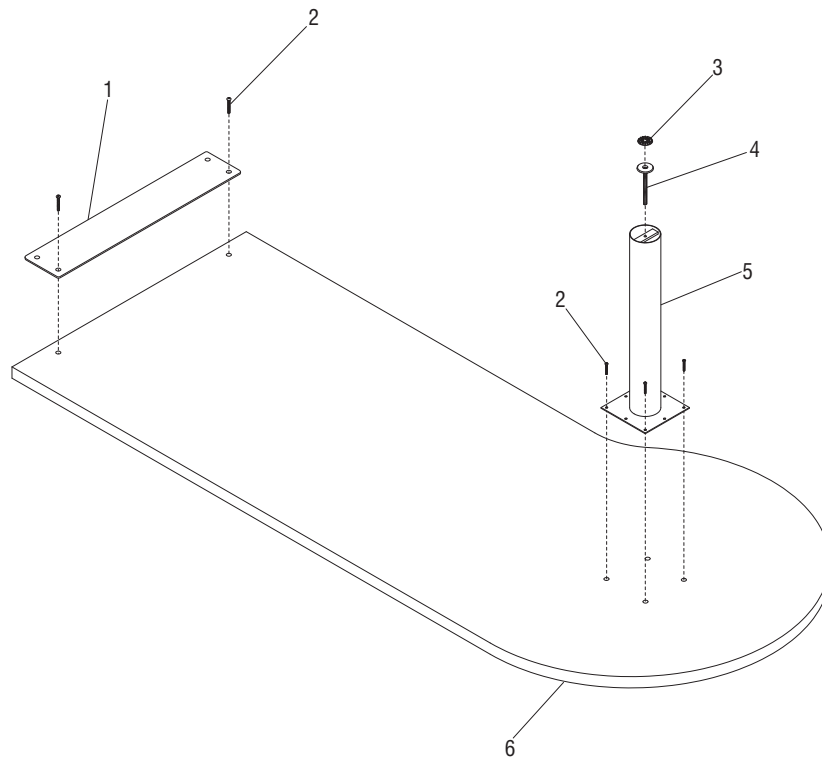


Parts Diagram ■

700 Series® Desking

P-Shape Return

September 2015



* = Must be specified as either Right or Left

Item	Part Number	Item Description	Item	Part Number	Item Description	
1	2.45450	Connector, Level 20"	6*	7D/PR2466.XXX	Top, Laminate 24" X 66" -"P"	
	2.45451	Connector, Level 24"		7D/PR2472.XXX	Top, Laminate 24" X 72" -"P"	
	2.45452	Connector, Level 30"		7D/PR3060.XXX	Top, Laminate 30" X 60" -"P"	
2	2.20192	Screw, #14 X 7/8 - Black		7D/PR3066.XXX	Top, Laminate 30" X 66" -"P"	
	3	31.10.0186		Gripper, Carpet	7D/PR3072.XXX	Top, Laminate 30" X 72" -"P"
					7D/PR3660.XXX	Top, Laminate 36" X 60" -"P"
4	31.10.0185	Glide, Panel	7D/PR3666.XXX	Top, Laminate 36" X 66" -"P"		
5	2.55510	Weldment, D-Leg Tube 27.25"	7D/PR3672.XXX	Top, Laminate 36" X 72" -"P"		
6*	7D/PR2454.XXX	Top, Laminate 24" X 54" -"P"				
	7D/PR2460.XXX	Top, Laminate 24" X 60" -"P"				