

Desk, Conference, and Side Chairs

Price List Effective Dates:
 Pricing 02.04.19
 Revision 06.17.19



High-Back Desk Chair with Wood Base and Arms

➤ See page 28.3 to specify.

Height	38 ¹ / ₈ "–43 ¹ / ₈ "
Width	26 ³ / ₈ "
Depth	26 ³ / ₈ "
Arm height	26 ⁵ / ₈ "–31 ³ / ₈ "
Seat height	16 ¹ / ₂ "–21 ¹ / ₂ "
Seat width	20 ¹ / ₂ "
Seat depth	18"
Kneespace	20 ³ / ₈ "



High-Back Desk Chair with Black Base and Arms

➤ See page 28.3 to specify.

Height	38 ¹ / ₄ "–42 ³ / ₄ "
Width	25 ¹ / ₄ "
Depth	27"
Arm height	26"–30 ³ / ₄ "
Seat height	17"–21 ¹ / ₄ "
Seat width	20 ¹ / ₂ "
Seat depth	18"
Kneespace	20 ³ / ₈ "



Mid-Back Conference Chair with Wood Base and Arms

➤ See page 28.3 to specify.

Height	34 ³ / ₄ "–39 ³ / ₄ "
Width	26 ³ / ₈ "
Depth	25 ¹ / ₂ "
Arm height	26 ⁵ / ₈ "–31 ³ / ₈ "
Seat height	16 ¹ / ₂ "–21 ¹ / ₂ "
Seat width	20 ¹ / ₂ "
Seat depth	18"
Kneespace	20 ³ / ₈ "



Mid-Back Conference Chair with Black Base and Arms

➤ See page 28.3 to specify.

Height	34 ³ / ₄ "–39 ¹ / ₄ "
Width	25 ¹ / ₄ "
Depth	27"
Arm height	27"
Seat height	17"–21 ¹ / ₄ "
Seat width	20 ¹ / ₂ "
Seat depth	18"
Kneespace	20 ³ / ₈ "

Note: All models are available with accent/headers; dimensions are the same for models with accent/headers.



Side Chair with Wood Frame

➤ See page 28.5 to specify.

Height	35 ¹ / ₈ "
Width	26 ³ / ₈ "
Depth	25 ¹ / ₄ "
Arm height	27 ⁵ / ₈ "
Seat height	18"
Seat width	20 ¹ / ₂ "
Seat depth	18"
Kneespace	20 ¹ / ₂ "



Side Chair with Black Metal Frame

➤ See page 28.5 to specify.

Height	35"
Width	24 ¹ / ₄ "
Depth	25 ³ / ₄ "
Arm height	27"
Seat height	18 ¹ / ₂ "
Seat width	20 ¹ / ₄ "
Seat depth	18"
Kneespace	20 ¹ / ₂ "

Stature seating models are dimensionally consistent and meet or exceed the applicable BIFMA/ANSI standards.

Overview

Statement of Line	▶ See page 28.1
Planning	28.2
Pricing	28.3
Surface Materials	28.7

Outer back is fully upholstered.

Back cushion is high resiliency, CFC-free, polyurethane foam.

Hardwood base caps are kiln-dried maple supported by a rigid steel substructure.

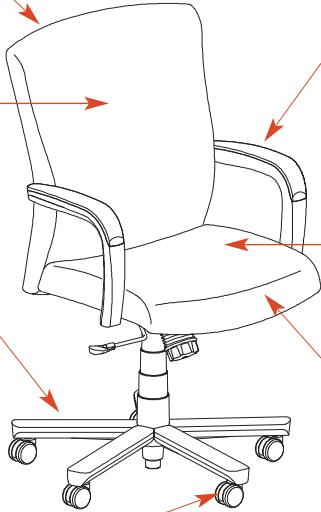
Black, glass-filled nylon base is textured for scuff resistance.

Hard, black, dual-wheel casters for use on carpeted floors are standard.

Soft dual-wheel casters are available and should be specified for use on hard floors. Casters are black. Upcharge applies.

Glides on wood frame side chair are dome-shaped plastic and 7/8" in diameter.

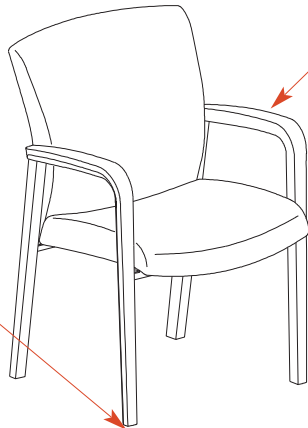
Glides on metal frame side chair are nylon ball inserts and 1 1/8" in diameter.



Arms on desk and conference chairs are offered in kiln-dried maple with black urethane caps on models with wood bases, or soft urethane insert-molded over a steel core on models with a black nylon base.

Seat cushion is CFC-free molded urethane foam.

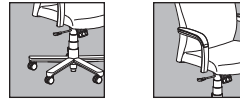
Waterfall front edge slopes forward to reduce pressure and increase circulation for the user's legs.



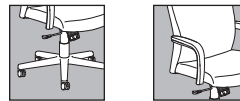
Hardwood-frame side chairs are kiln-dried maple. Joints are double doweled and glued to ensure maximum strength. Frame assembly is mounted in holes bored into the leg and secured with steel brackets and wood screws.

Metal-frame side chairs use 1 1/8" diameter, 13 gauge steel tubing and feature a black, textured powdercoat. Frame components are welded together using a precision weld fixture to ensure accuracy and rigidity. Arms have black urethane caps.

Details



Wood base and arms



Black base and arms

Two arm/base styles are available on desk and conference chairs: wood or black urethane. Shroud and controls are black.



Accent/header is available on all Stature chairs. Contrasting upholstery is an option.

Contoured back shell is blow-molded polyethylene.

Seat rails on side chairs are 3/4" diameter (outside), 14-gauge tubular steel.

Back is upholstered using a slipcover-style upholstery technique.

Seat pan is contoured, blow-molded polyethylene. Channels within the seat pan fit over the metal seat rails on side chair frame and the control mechanism of desk and conference chairs.

Seat is upholstered using a pull-around upholstery technique.

Cushions are 2" thick on the seat and 1 1/2" thick on the back.

Arms of desk chairs are attached to the seat with a steel support bracket and 1/4" diameter machine screws.

Adjustability Features

Desk and Conference Chairs

Knee tilt and upright back lock	•
Tilt tension	•
Swivel	•
Pneu. height	•

• = standard

Knee-tilt control provides minimal rise of the front edge of the seat when reclining. Back may be locked in a full upright position by pushing pneumatic height adjustment lever inward. Recommended for users weighing 253 lbs. or less.

Tilt tension control adjusts the amount of resistance the user feels when leaning back.

Pneumatic height adjustment allows user to raise or lower the seat height with a control lever while seated. Upward movement of lever located beneath the seat activates a gas cylinder to quickly adjust the chair.

Note: Tailstock bracket allows the back upright to fasten directly to the control mechanism for added support and rigidity. Back upright mounting plate is 10-gauge metal.

Desk and Conference Chairs

with Kimball Upholstery

Pricing

GSA SIN 711-18

Statement of Line	▶ See page 28.1
Planning	28.2
Pricing	28.3
Surface Materials	28.7



Illustrations show chairs with wood base/frame.

▶ See page 28.8 for COM/COL yardage requirements.

Kimball Upholstery Price Grade

Model 1 or COM 2 3 or COL 4 5 6 7 L7 L8

High-Back Desk Chairs

Wood Base and Arms

K11AA		\$1554	\$1610	\$1642	\$1679	\$1730	\$1781	\$1834	\$2053	\$2175
K11AAF	TB133	1757	\$1813	1845	1882	1933	1984	2037	2256	2378

Black Base and Arms

K30AA		\$1177	\$1233	\$1265	\$1302	\$1353	\$1404	\$1457	\$1676	\$1798
K30AAF	TB133	1382	1438	1470	1507	1558	1609	1662	1881	2003

High-Back Desk Chairs with Accent/Header

Wood Base and Arms

K11BB		\$1735	\$1795	\$1829	\$1868	\$1922	\$1976	\$2033	\$2265	\$2395
K11BBF	TB133	1974	2034	2068	2107	2161	2215	2272	2504	2634

Black Base and Arms

K30BB		\$1357	\$1417	\$1451	\$1490	\$1544	\$1598	\$1655	\$1887	\$2017
K30BBF	TB133	1596	1656	1690	1729	1783	1837	1894	2126	2256

Mid-Back Conference Chairs

Wood Base and Arms

K11CC		\$1482	\$1531	\$1559	\$1591	\$1636	\$1681	\$1727	\$1919	\$2025
K11CCF	TB133	1675	1724	1752	1784	1829	1874	1920	2112	2218

Black Base and Arms

K30CC		\$1152	\$1201	\$1229	\$1261	\$1306	\$1351	\$1397	\$1589	\$1695
K30CCF	TB133	1341	1390	1418	1450	1495	1540	1586	1778	1884

Mid-Back Conference Chairs with Accent/Header

Wood Base and Arms

K11DD		\$1665	\$1718	\$1748	\$1782	\$1830	\$1878	\$1928	\$2133	\$2247
K11DDF	TB133	1894	1947	1977	2011	2059	2107	2157	2362	2476

Black Base and Arms

K30DD		\$1333	\$1386	\$1416	\$1450	\$1498	\$1546	\$1596	\$1801	\$1915
K30DDF	TB133	1561	1614	1644	1678	1726	1774	1824	2029	2143

TB133

Fire code treatment is available on select Kimball upholstery.
▶ See the *Kimball Surface Materials Reference Guide* at www.kimball.com.

Stature desk and conference chair models with black base specified for TB133 compliance will have a metal base.

How to Specify

- ① Model
 - Accent/Header** (omit for chairs without accent/header):
- ② Upholstery grade
- ③ Upholstery number
- Chair Upholstery:**
- ④ Upholstery grade
- ⑤ Upholstery number
- Wood base/frame:** (omit for black base/frame models):
- ⑥ Finish price group:
 - STD** = Group 1
- ⑦ Finish designator
- ⑧ Casters:
 - C1** = Hard for black base
 - C2** = Soft for black base (+\$29)
 - C3** = Hard for wood base
 - C4** = Soft for wood base (+\$29)

Desk and Conference Chairs

Pricing

with Alliance Program Upholstery

GSA SIN 711-18

Model	Alliance Upholstery Price Grade								
	A	B	C	D	E	F	G	H	I
	J	K	L	M	N	O	P	Q	R
K11AA	\$1634	\$1674	\$1704	\$1735	\$1768	\$1807	\$1831	\$1872	\$1908
	1944	2004	2122	2196	2213	2226	2245	2263	2343
K11BB	1820	1863	1895	1927	1963	2004	2029	2073	2111
	2150	2213	2339	2417	2435	2449	2469	2488	2573
K11CC	1552	1587	1614	1640	1670	1703	1724	1761	1791
	1824	1875	1979	2043	2059	2070	2087	2102	2172
K11DD	1740	1778	1806	1835	1866	1902	1925	1964	1997
	2031	2087	2198	2267	2283	2295	2313	2330	2405
K30AA	1257	1297	1327	1358	1391	1430	1454	1495	1531
	1567	1627	1745	1819	1836	1849	1868	1886	1966
K30BB	1442	1485	1517	1549	1585	1626	1651	1695	1733
	1772	1835	1961	2039	2057	2071	2091	2110	2195
K30CC	1222	1257	1284	1310	1340	1373	1394	1431	1461
	1494	1545	1649	1713	1729	1740	1757	1772	1842
K30DD	1408	1446	1474	1503	1534	1570	1593	1632	1665
	1699	1755	1866	1935	1951	1963	1981	1998	2073

Statement of Line	▶ See page 28.1
Planning	28.2
Pricing	28.3
Surface Materials	28.7

TB133

TB133 fire code treatment is available on select Alliance Program upholstery.
▶ See the *Kimball Surface Materials Reference Guide* at www.kimball.com.

Stature desk and conference chair models with black base specified for TB133 compliance will have a metal base.

How to Specify

For each upholstery grade step in the model specification, combine the Alliance partner designator and fabric grade as follows:

- ARC**[grade] = Arc Com
- CAR**[grade] = Carnegie
- CFS**[grade] = CF Stinson
- LDI**[grade] = EnviroLeather
- KNL**[grade] = KnollTextiles
- MHM**[grade] = Maharam
- MAF**[grade] = Mayer Fabrics
- MOM**[grade] = Momentum
- ULT**[grade] = Ultrafabrics

▶ See the corresponding Kimball upholstery pricing page for complete “How to Specify” steps.

IMPORTANT: Orders cannot be cancelled for chairs specified with Alliance Program upholstery.

Side Chairs

with Kimball Upholstery

Pricing

GSA SIN 711-18



Kimball Upholstery Price Grade

Model		1 or COM	2	3 or COL	4	5	6	7	L7	L8
Side Chairs										
<i>Wood Frame</i>										
K11EE		\$1137	\$1186	\$1214	\$1246	\$1291	\$1336	\$1382	\$1574	\$1680
K11EEF	TB133	1330	1379	1407	1439	1484	1529	1575	1767	1873
<i>Black Metal Frame</i>										
K30EE		\$931	\$980	\$1008	\$1040	\$1085	\$1130	\$1176	\$1368	\$1474
K30EEF	TB133	1123	1172	1200	1232	1277	1322	1368	1560	1666
Side Chairs with Accent/Header										
<i>Wood Frame</i>										
K11FF		\$1322	\$1375	\$1405	\$1439	\$1487	\$1535	\$1585	\$1790	\$1904
K11FFF	TB133	1549	1602	1632	1666	1714	1762	1812	2017	2131
<i>Black Metal Frame</i>										
K30FF		\$1105	\$1158	\$1188	\$1222	\$1270	\$1318	\$1368	\$1573	\$1687
K30FFF	TB133	1336	1389	1419	1453	1501	1549	1599	1804	1918

Illustrations show chairs with wood base/frame.

➤ See page 28.8 for COM/COL yardage requirements.

Statement of Line	➤ See page 28.1
Planning	28.2
Pricing	28.3
Surface Materials	28.7

TB133

Fire code treatment is available on select Kimball upholstery.
➤ See the *Kimball Surface Materials Reference Guide* at www.kimball.com.

How to Specify

- ① Model
 - Accent/Header** (omit for chairs without accent/header):
 - ② Upholstery grade
 - ③ Upholstery number
 - Chair Upholstery:**
 - ④ Upholstery grade
 - ⑤ Upholstery number
 - Wood base/frame:** (omit for black base/frame models):
 - ⑥ Finish price group:
 - STD** = Group 1
 - ⑦ Finish designator

Side Chairs

Pricing

with Alliance Program Upholstery

GSA SIN 711-18

Statement of Line	▶ See page 28.1
Planning	28.2
Pricing	28.3
Surface Materials	28.7

Model	Alliance Upholstery Price Grade									
	A	B	C	D	E	F	G	H	I	
	J	K	L	M	N	O	P	Q	R	
K11EE	\$1207	\$1242	\$1269	\$1295	\$1325	\$1358	\$1379	\$1416	\$1446	
	1479	1530	1634	1698	1714	1725	1742	1757	1827	
K11FF	1397	1435	1463	1492	1523	1559	1582	1621	1654	
	1688	1744	1855	1924	1940	1952	1970	1987	2062	
K30EE	1001	1036	1063	1089	1119	1152	1173	1210	1240	
	1273	1324	1428	1492	1508	1519	1536	1551	1621	
K30FF	1180	1218	1246	1275	1306	1342	1365	1404	1437	
	1471	1527	1638	1707	1723	1735	1753	1770	1845	

TB133

TB133 fire code treatment is available on select Alliance Program upholstery.
▶ See the *Kimball Surface Materials Reference Guide* at www.kimball.com.

How to Specify

For each upholstery grade step in the model specification, combine the Alliance partner designator and fabric grade as follows:

- ARC**[grade] = Arc Com
- CAR**[grade] = Carnegie
- CFS**[grade] = CF Stinson
- LDI**[grade] = EnviroLeather
- KNL**[grade] = KnollTextiles
- MHM**[grade] = Maharam
- MAF**[grade] = Mayer Fabrics
- MOM**[grade] = Momentum
- ULT**[grade] = Ultrafabrics

▶ See the corresponding Kimball upholstery pricing page for complete “How to Specify” steps.

IMPORTANT: Orders cannot be cancelled for chairs specified with Alliance Program upholstery.

Statement of Line	▶ See page 28.1
Planning	28.2
Pricing	28.3
Surface Materials	28.7

- ▶ See the *Kimball Surface Materials Reference Guide* at www.kimball.com for a complete overview of the Kimball materials program, including:
- Characteristics of wood
 - Special wood finishes
 - Customer-specified laminate (CSL)
 - Customer-specified paint (CSP)
 - Fabric application and colorways
 - Customer's own material (COM) overview
 - Alliance program
 - TB133 process

Wood

Price Group 1

- MC Amber Cherry
- CC Cordoba Cherry
- MH Mocha Cherry
- SC Sedona Cherry

- IM Brighton Maple
- TM Huntington Maple

- ES Espresso Walnut
- MW Midtown Walnut
- TW Tribeca Walnut
- UW Urban Walnut

- CX Coco¹
- SX Sienna¹

- CO Canyon Straight Grain
- DF Driftwood Straight Grain
- YO Monterey Straight Grain
- NW Tuscan Straight Grain

¹ CX Coco and SX Sienna price group 1 finishes on wood seating coordinate with the price group 2 sapele finishes with the same name, but are not a direct match.

Statement of Line	▶ See page 28.1
Planning	28.2
Pricing	28.3
Surface Materials	28.7

- ▶ See the *Kimball Surface Materials Reference Guide* at www.kimball.com for a complete overview of the Kimball materials program, including:
- Characteristics of wood
 - Special wood finishes
 - Customer-specified laminate (CSL)
 - Customer-specified paint (CSP)
 - Fabric application and colorways
 - Customer's own material (COM) process overview
 - Alliance program
 - TB133 process

Kimball has analyzed each model to most accurately reflect the COM/COL yardage requirements shown at right. The yardage requirement for each model is based on 54"W fabric and cutting the fabric up the roll.

For widths other than 54", increase the yardage requirement by the factors below:

<i>Fabric width</i>	<i>Increase yardage</i>
50"–53"	15%
48"–49"	30%
45"–47"	45%

When ordering 10 or more chairs in the same COM, yardage requirements may be reduced.

▶ Contact Customer Service.

Upholstery

Applies to:

- Stature seating

Kimball Seating Fabric

Price Grades 1–7

▶ See the *Surface Materials Reference Guide* at www.kimball.com for the most up-to-date list of available seating fabric patterns.

Kimball Leather

Price Grades L7 and L8

▶ See the *Surface Materials Reference Guide* at www.kimball.com for the most up-to-date list of available seating leather.

Alliance Fabric

Price Grades A–R

▶ See Surface Materials at www.kimball.com for a wide variety of graded-in fabrics from Arc-Com, Carnegie, CF Stinson, EnviroLeather, KnollTextiles, Maharam, Mayer Fabrics, Momentum, and Ultrafabrics.

COM/COL Yardage Requirements

<i>Model</i>		COM				COL		<i>Model</i>		COM				COL	
		<i>Non-Dir.</i>	<i>1–4" Repeat</i>	<i>5–11" Repeat</i>	<i>12–18" Repeat</i>	<i>Square Feet</i>	<i>Non-Dir.</i>			<i>1–4" Repeat</i>	<i>5–11" Repeat</i>	<i>12–18" Repeat</i>	<i>Square Feet</i>		
K11AA	Entire Unit	1.6	2.1	2.7	3.1	32.0	K30DD	Entire Unit	1.5	2.1	2.5	3.0	31.0		
K11BB	Entire Unit	1.6	2.1	2.7	3.1	32.0		Accent	0.4	0.5	0.6	0.8	8.0		
	Chair	1.5	2.1	2.8	3.0	30.0		Chair	1.4	2.0	2.1	3.0	28.0		
K11CC	Entire Unit	1.5	2.1	2.5	3.0	31.0	K30EE	Entire Unit	1.5	2.1	2.5	3.0	31.0		
K11DD	Entire Unit	1.5	2.1	2.5	3.0	31.0	K30FF	Entire Unit	1.5	2.1	2.5	3.0	31.0		
	Accent	0.4	0.5	0.6	0.8	8.0		Accent	0.4	0.5	0.6	0.8	8.0		
	Chair	1.4	2.1	2.1	3.0	28.0		Chair	1.4	2.0	2.1	3.0	28.0		
K11EE	Entire Unit	1.5	2.1	2.5	3.0	31.0									
K11FF	Entire Unit	1.5	2.1	2.5	3.0	31.0									
	Accent	0.4	0.5	0.6	0.8	8.0									
	Chair	1.4	2.1	2.1	3.0	28.0									
K30AA	Entire Unit	1.6	2.1	2.7	3.1	32.0									
K30BB	Entire Unit	1.6	2.1	2.7	3.1	32.0									
	Accent	0.4	0.5	0.6	0.8	8.0									
	Chair	1.5	2.1	2.8	3.0	30.0									
K30CC	Entire Unit	1.5	2.1	2.5	3.0	31.0									