

President/Senator

Hinge Adjustment and Shelf Adjustment

Tools Required

- Phillips Screwdriver

Installation

- Side Adjustment:**
Turn front screw clockwise to increase door overlay, counterclockwise to decrease overlay. (Figure A).
- Depth Adjustment:**
Loosen back screw. Adjust door to desired position and tighten screw. (Figure B).
- Height Adjustment:**
Loosen screw(s) on the mounting plate. Adjust door to position and tighten screws. (Figure C).
- Door Removal and Installation:**
To remove, pull release lever back (Figure D). To re-install, place the hinge on the mounting plate and push the rear of the hinge with finger pressure. The snap sound confirms a secure attachment.
- Shelf Adjustment:**
Remove screws in bottom of shelf brackets. Remove shelf. Insert bracket at desired level. Replace shelf. (Figure E).
Note: Screws were used for shipping purposes. For additional security, adjustable shelves can be fastened into position using original shipping screws.

Figure A

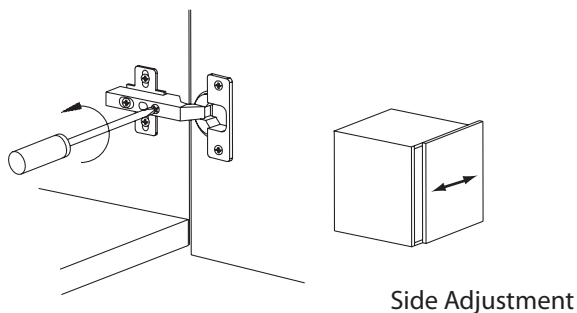


Figure B

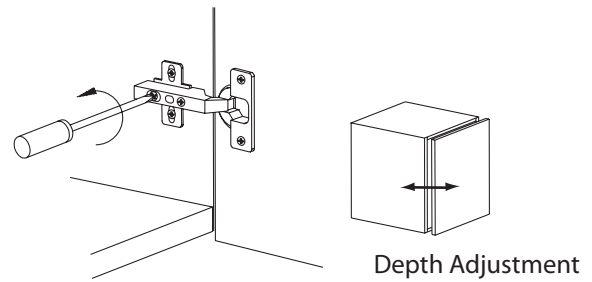


Figure C

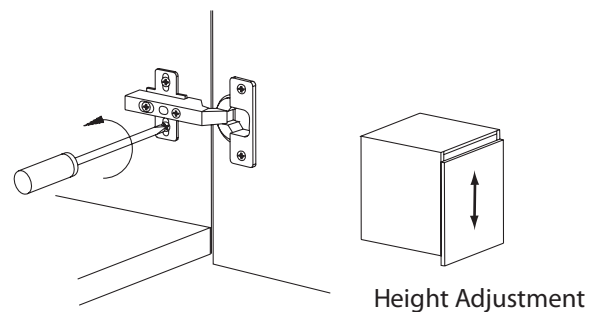


Figure D

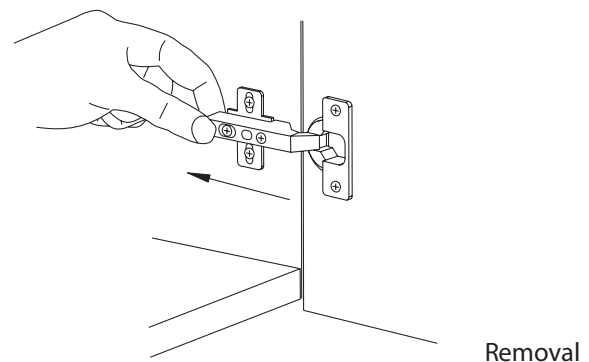
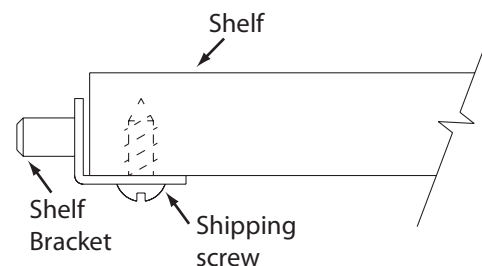


Figure E



Proper product installation, in accordance with these instructions, is the responsibility of the installing agent. If you have any questions concerning these instructions, please call Kimball Office Customer Service.