

50", 67" and 80" Open Lateral File Attachment

Tools Required

- Screwdriver
- Cordless Drill
- 7/32" drill bit

Hardware Included

- Connecting Bolts

Installation

1. Align the units in their desired position. Adjustable shelf holes have been pre-bored on a 1 1/4" boring pattern into the inside end panel of each cabinet. Using 7/32" drill bit, bore a through shelf hole from the storage unit into the adjoining unit.
2. Align connection holes in storage units and attach together using the eight (8) provided connection bolts, four per side. Insert half of a connector bolt into one hole, and the other half into the opposite hole. Tighten all bolts securely, making sure units are flush against each other with no gaps (figure B)

Figure A

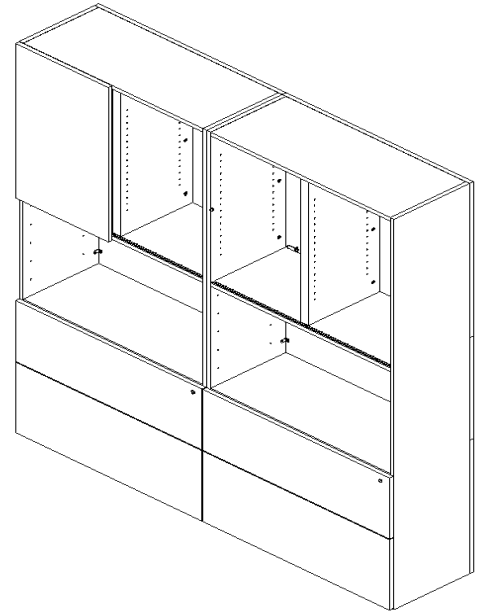


Figure B

