

# President/Senator/Innsbruck/Osterley Park

## Highback Organizer

### Tools Required

- Tape Measure

### Package Contents

- Double-sided Adhesive Tape (1 roll)

### Installation

1. The highback organizer comes pre-assembled in a carton. It is typically placed on the worksurface of a furniture unit. Place the highback organizer in the desired location. (Figure A).
2. The highback is held in position with a double-faced adhesive tape. Keeping the highback in the desired location, carefully tilt the unit back or forward and apply a strip of adhesive tape to the bottom side of each end panel. Remove the peel-coat from the adhesive tape. Return the highback to the upright position and secure into place. (Figure B).

**Caution:** The tape has a very strong adhesive and bonds instantly to any surface it is applied to.

Figure A

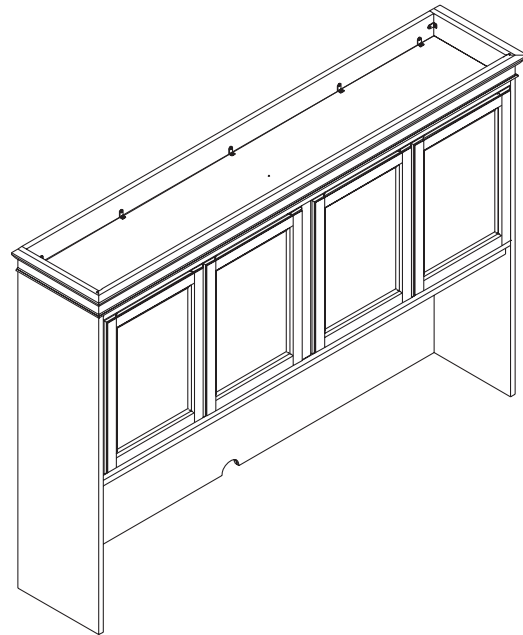


Figure B

