

President/Senator

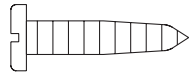
Bookcase Cornice Frame

Tools Required

- Level
- Tape Measure
- Power Screwdriver
- #2 Phillips Head Bit

Package Contents

- 16 #8 x 5/8" Panhead Screws



Installation

1. The cornice frame can be attached to one, two, or three bookcase units. Position the lower storage in the desired location. Level lower storage units. Position bookcase units onto lower storage in the desired location. (Figure A).
2. Align the cornice above the bookcase units. Attach the cornice to the bookcase units using the #8 x 5/8" screws, provided. (Figure B).

Figure A

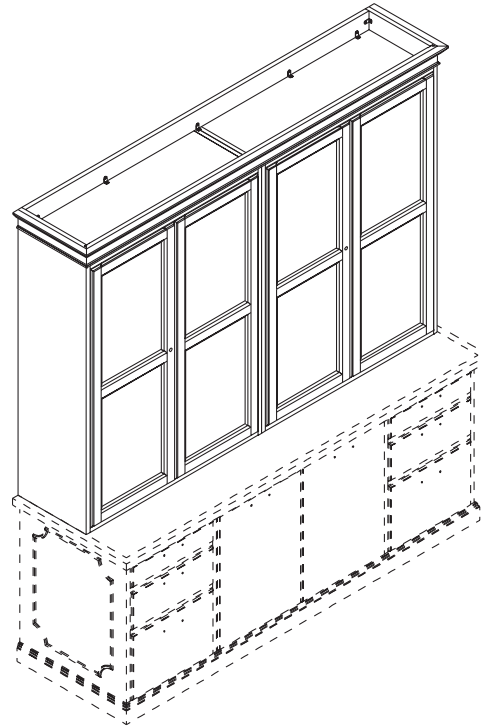


Figure B

