

SPLIT-TOP WITH LOW-PROFILE FORK BASE OVERBED TABLE OPERATING INSTRUCTIONS

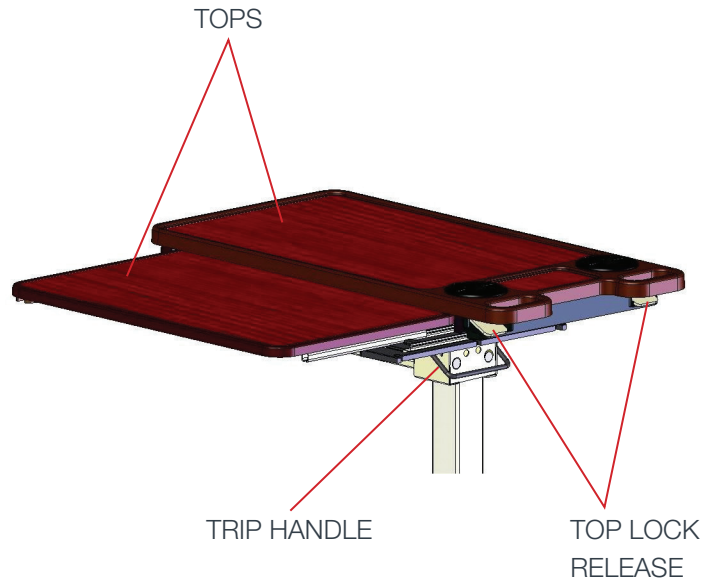
TOOLS REQUIRED

- Phillips Head Screw Driver

OPERATING INSTRUCTIONS

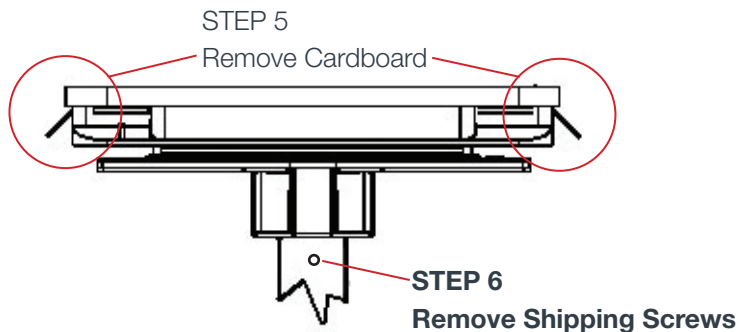
NOTE: Do not remove shipping screws until steps 1-4 are complete.

1. Remove table from box with tops on the bottom tray.
2. Insert the casters.
3. Make sure that all casters are inserted completely.
4. Stand table upright on the casters.
5. Remove cardboard inserts from between tabletops. (Fig. 2)
6. **Remove shipping screws.**
7. To raise and lower the top, lift the Trip Handle upward and adjust to the desired height. *For optimal column performance the table needs to be at room temperature.*
8. To slide out the lower Top, lift upward on the Top Lock Release tabs. Slide upper top back and forth several times as far as it will go. This is necessary after shipping to assure smooth operation.
9. Insert Cupholders (Fig. 3) *Cupholders are designed to be removed and are dishwasher safe.*



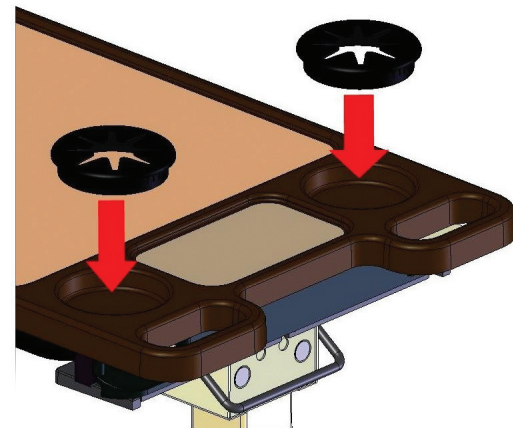
STEPS 5 & 6

Remove for Proper Operation



STEP 9

Insert Cupholders



CALIFORNIA PROP. 65

Warning: the items and packaging in this shipment contain chemicals known to the State of California to cause cancer, birth defects or other reproductive harm.

**This product meets or exceeds all federal safety and environmental regulations*

Kimball® Health

A division of Kimball Office Form No. AIOBSTLTPB Ver. 16

1600 Royal Street
Jasper, Indiana 47549

800.482.1818
kimballhealth.com