

Bookcase Extension

Tools Required

- Cordless Drill/Driver
- #3 Phillips Head magnetic Bit
- #2 Phillips Head magnetic Bit

Hardware

- Maxifix Bolts, Quantity Varies
- Maxifix Cams, Quantity Varies

Installation

1. Unpack frames and bookcase shelves.
2. Lay the frames down on a clean, soft surface that won't scratch the paint and install the Maxifix Bolts in each hole location as seen in Figure A. Use #3 Phillips driver to tighten. Flip frame and repeat on the opposite side. This frame will be used as extension frame.
3. Install 4 Maxifix Cams in the shelves as shown in Figure B. the arrow on the Maxifix Cam should be facing the edge of the shelf.
4. Replace the existing Bookcase's End with the Extension Frame by laying the existing bookcase on its back and remove one end by turning the maxifix cams counterclockwise until the arrow aligns with the Maxifix Bolt and pull to remove. Slide the bookcase extension into place and attach by turning the Maxifix Cams 90° until tight. See Figure C.
5. Slide the shelves over the Maxifix Bolts on the end. See Figure D. Use #3 Phillips driver to tighten cams 90° until tight.

Figure B

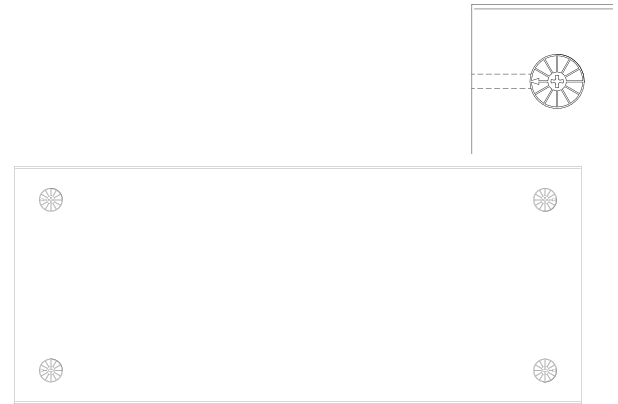


Figure C

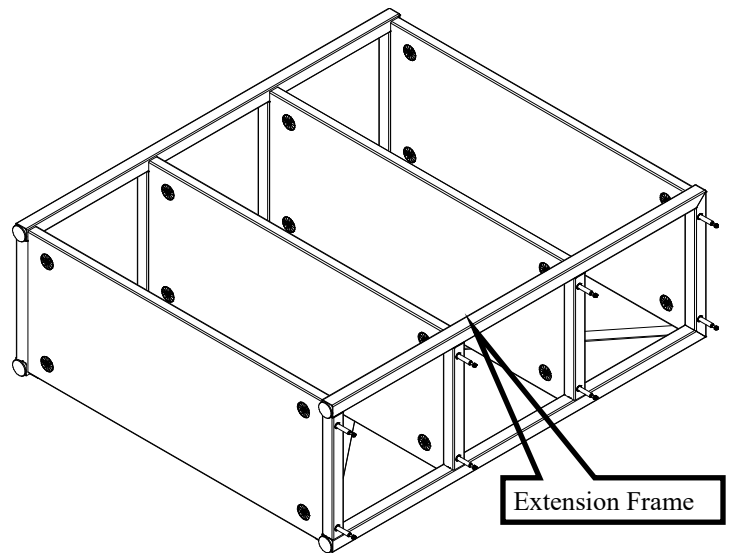


Figure D

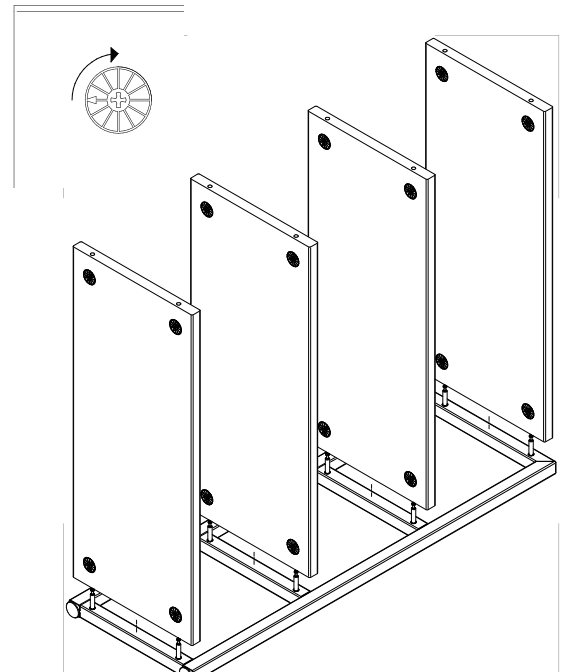
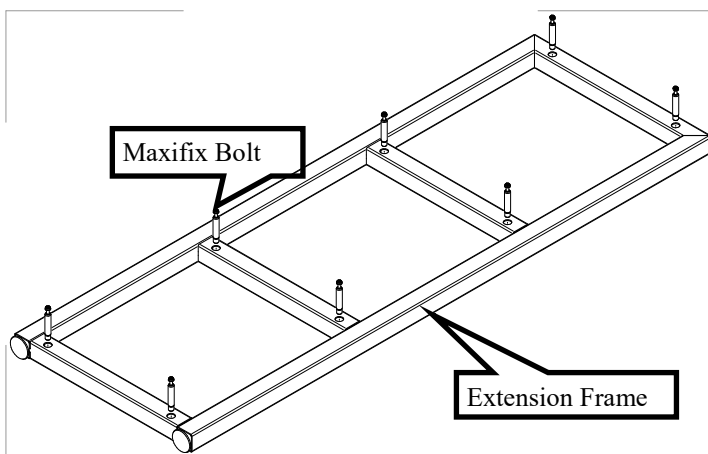


Figure A



Bookcase Extension

Installation

6. Assemble the bookcases assemblies together. Use #3 Phillips driver to tighten cams 90° until tight. See Figure E
7. Carefully lift the assembled unit upright. Multiple People are required on larger bookcase configurations. Ensure bookcases are square and level by adjusting glides then install the metal straps on the back of the shelf using included #8 Wood screws, one in each hole. Straps should be 1/8" below flush of the top shelf and 1/32" off the frame. See Figure F

Figure E

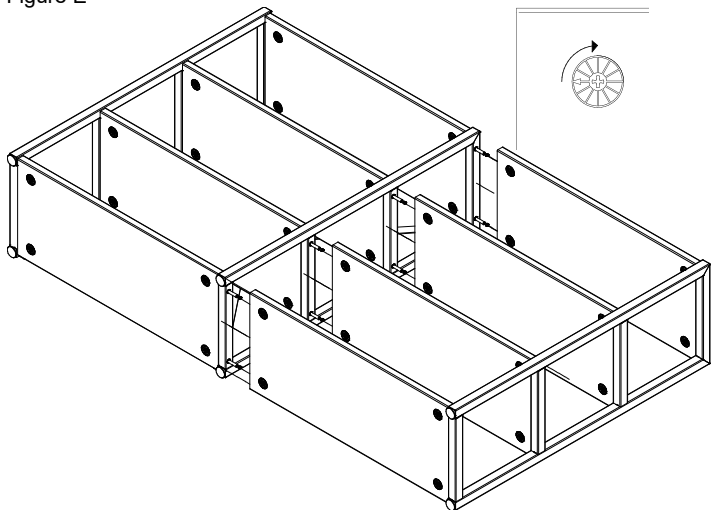


Figure F

