

Stool

Tools Required

- Cordless Drill/Driver
- #2 Phillips Head magnetic Bit , at least 2" in length
- Tape Measure

Hardware

- 10 #8 X 3/4" Panhead Phillips Wood Screws
- 16 #10-32 X 1/2" 100° Flathead Machine Screw

Installation

1. Unpack frame and hardware.
2. Important: Slide Crossrails and Footrest over welded brackets on legs, ensuring cope lip in crossrail is facing outward. Secure using 2, #10-32 machine screws. See Figure A.
3. Unpack top and lay face down on clean, soft surface that will not scratch face.
4. Center Frame on the top, holding a consistent 3/8" margin around the frame. Secure frame to bottom of surface using included #8 X 3/4" Panhead wood screws into the center of the attachment slots. Centering the screws in the slots allow butcherblock tops to move as it changes sizes due to environmental changes. See Figure B.
5. Set the assembled stool upright. Taking care not to scratch top or frame. Level unit by turning glides to desired height.

Figure A

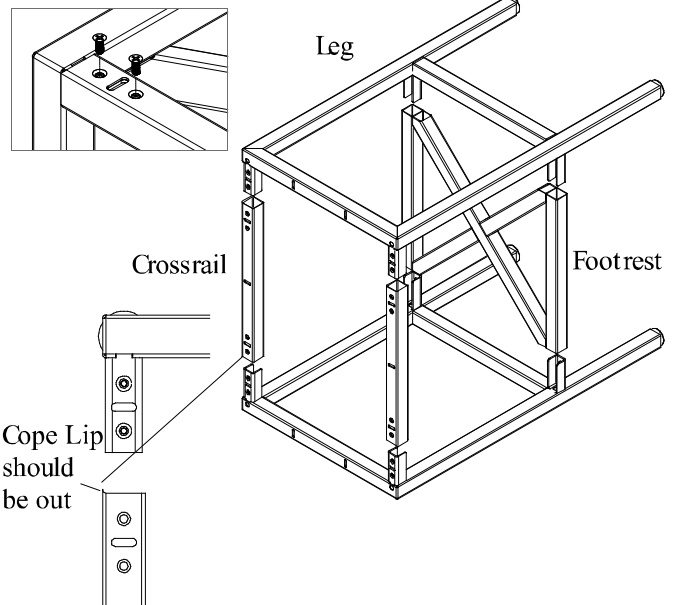


Figure B

