

Bookcase

Tools Required

- Cordless Drill/Driver
- #3 Phillips Head magnetic Bit
- #2 Phillips Head magnetic Bit

Hardware

- Maxifix Bolts, Quantity Varies
- Maxifix Cams, Quantity Varies
- #8 X 5/8" Panhead Wood Screws, Quantity Varies

Installation

1. Unpack frames and bookcase shelves.
2. Lay the frames down on a clean, soft surface that won't scratch the paint and install the Maxifix Bolts in each hole location as seen in Figure A. Use #3 Phillips driver to tighten.
3. Install 4 Maxifix Cams in the shelves as shown in Figure B. the arrow on the Maxifix Cam should be facing the edge of the shelf.
4. Slide the shelves over the Maxifix Bolts on one of the frames. Slide the second Frame on the Shelves as seen in Figure C. Use #3 Phillips driver to tighten cams 90° until tight.
5. Carefully lift the unit upright. Ensure bookcase is square and level by adjusting the glides then install the metal straps on the back of the shelf using included #8 Wood screws, one in each hole. Straps should be 1/8" below flush of the top shelf and 1/32" off the frame. See Figure D

Figure B



Figure C

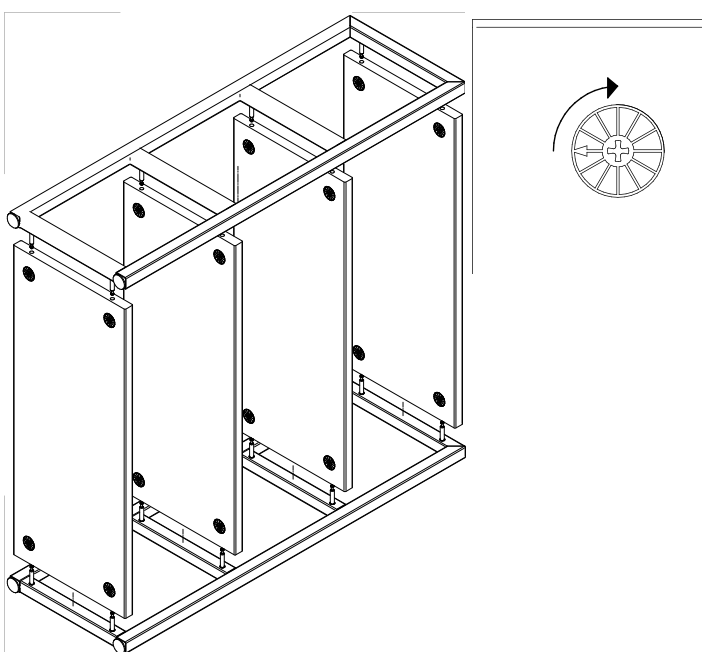


Figure A

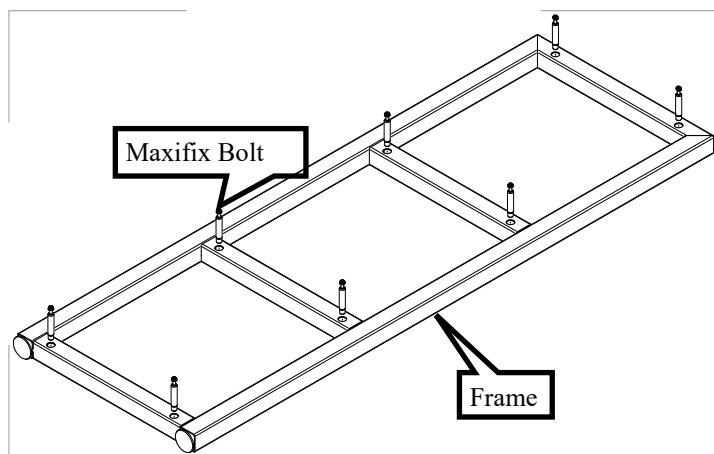


Figure D

