



Prices effective January 7, 2019

Published March 2019

HermanMiller Collection

Introduction	page 2
HermanMiller Collection	
Seating	3
Side and Stacking Chairs	5
Lounge Seating	104
Stools	223
Benches	263
Work Chairs	281
Sofas	301
Desks and Tables	419
Desks	421
Tables	425
Occasional Tables	474
Storage	543
Bedroom	637
Accessories	643
Nelson Bubble Lamps	675
Outdoor Furniture	707
Seating	709
Tables	731
Indices	741
By Name	741
By Number	747
Appendices	
20-Day or Less/Assigned Lead-Time Order Information	
Stain-to-Match Program	
Casters and Glides	
Customer's Own Material/Customer's Own Leather Order Information-Seating	
Proprietary Textiles Application Chart-Collection Seating, HermanMiller	
Proprietary Textiles Application Chart-Collection Seating, Geiger	
Proprietary Textile Colors-Collection Seating	
Maharam Application Chart-Collection Seating, HermanMiller	
Maharam Application Chart-Collection Seating, Geiger	
Maharam Textile Colors-Collection Seating	
For the latest materials information, refer to the Materials pages on HermanMiller.com.	

Introduction

A Note on the Organization of This Book

There are a few signals that will help you understand the organization of this book. Once you know them, you should be able to find your way around easily.

Like a newspaper, this book is formatted with columns of text and illustrations that run vertically.

Information wraps from one column to the next and continues for as many pages as it needs to.

Black bars are clues.

A black bar at the top of a page signals the start of information about a product.

This information is divided into two sections, each signaled by a black bar. Product Information includes a description, additional notes, and dimensional drawings. Specification Information, which always begins at the top of a column, includes a series of steps. Each step represents a decision you need to make in order to complete your product number. Steps must be followed sequentially. The number of pages needed to complete information on a product varies; some will be complete in one page; others may fill three or four pages. Just continue going through the steps until you run into the next product, signaled by the black bar at the top of the page.

Black tabs running along the outside edge of the page help you locate what section you are in or what section you want to go to. You can thumb forwards or backwards to find a section; tabs and text appear on both sides of the page.

The additional pages in the back of the book include the appendices and indices. They are signaled by a long black bar running along the outside edge of the page.

The index is presented two ways.

The first index is in alphabetical order by product name. It can be helpful if you are new to the products and numbering scheme or if you are looking for a type of product, such as work chair or round table.

The second index is by product number. It lists, in alphanumeric order, the base product number, typically a five-digit number.

General Information

This book is effective January 7, 2019, subject to change without notice. Products may be purchased from authorized Herman Miller dealers who will quote prices upon request. For more information about our products and services or to see a list of dealers, visit www.HermanMiller.com.


All prices are list prices. Additional services, such as planning services, design, storage, and installation, are not included and must be added to these prices when the additional services are requested.

Illustrations, specifications, and prices are based on the latest information at the time of publication. The right is reserved to make changes at any time without notice in prices, fabrics, finishes, materials, specifications, and models, and also to discontinue models and finishes.

Dimensions shown in the drawings are engineering drawing dimensions rounded up to the nearest $\frac{1}{8}$ ". Product is shipped set up or knocked down. Products that include "Shipped knocked down" in the description require some assembly. If this statement does not appear in the description, the product is shipped assembled.

Service problems are normally handled by a Herman Miller authorized dealer. Where this cannot be accomplished on a local level, service problems should be referred to the Customer Care Representative for your region, Herman Miller, Inc., Zeeland, Michigan 49464.

20-Day or Less/Assigned Lead-Time Shipments

All products and options in this price book not designated by an Assigned Program icon  will ship in **20 business days or less** after being acknowledged by Herman Miller.

Products and options designated by an  are on the assigned lead-time program and may ship in 20 days, less than 20 days, or more than 20 days from order acknowledgement.

Side & Stacking Chairs

Lounge Seating

Stools

Benches

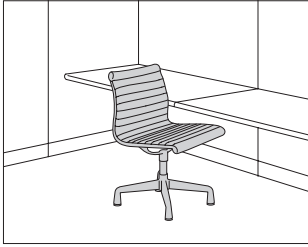
Work Chairs

Sofas



Eames® Aluminum Group Side Chair

EA306
EA308



Product Information

Description

This low-back chair has a lightweight aluminum frame with suspended upholstery. It has a 4-star base with 1/2" (GD) glides for hard floors or carpet and fixed seat height. The chair is available with or without a swivel mechanism.

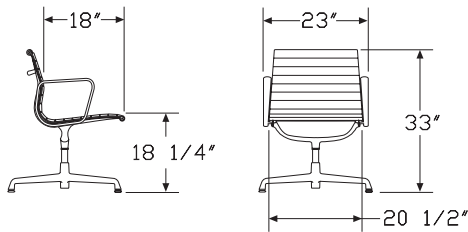
Notes

Chair is tested and warranted for use by persons 300 pounds and under. When chair is specified with Cygnus™ mesh, it meets CAL 133 requirements.

For description of glide, see Casters and Glides in Appendices.

Customer's Own Material (COM) requires 1 1/3 yards. Customer's Own Leather (COL) requires 45 square feet. See Order Information in Appendices.

Dimensions



Specification Information

Step 1.

EA30 A

Step 2. Arms

- 6** no arms
- 8** arms

Step 3. Swivel

- S** swivel base
- F** fixed base, no swivel

Prices for Steps 1-3.

EA306 S \$1373
F \$1456

EA308 S \$1789
F \$1872

Step 4. Base/Frame Finish

- L** polished aluminum +\$0
- BK** black A +\$87
- 91** white A +\$87

Eames® Aluminum Group Side Chair *continued*

Herman Miller Collection—Side & Stacking Chairs

Step 5. Fabric	
Price Category 1	+\$0
Price Category 2	+\$50
Price Category 3	+\$93
Price Category 4	+\$143
Price Category (Geiger) 4	+\$143
Price Category 5	+\$157
Price Category (Geiger) 5	+\$157
Price Category 6	+\$224
Price Category 7 A	+\$186
Price Category (Geiger) 7	+\$186
Price Category 9	+\$609
Price Category (Geiger) 10	+\$689
Price Category 10M	+\$867
Price Category 11	+\$792
Price Category B	+\$39
Price Category C	+\$57
Price Category D	+\$75
Price Category E	+\$94
Price Category F	+\$122
Price Category G	+\$159
Price Category H	+\$193
Price Category I	+\$227
Price Category J	+\$261
Price Category K	+\$294
Price Category L	+\$328

Eames® Soft Pad Side Chair

EA406
EA408



Product Information

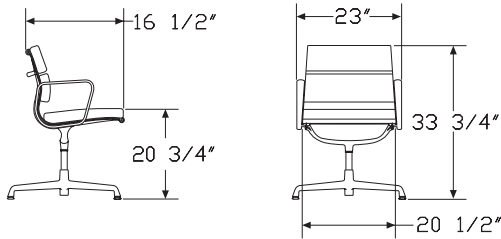
Description

This low-back chair has a lightweight aluminum frame and 2"-thick upholstered foam cushions. It has a 4-star base with 1/2" (GD) glides for hard floors or carpet and fixed seat height. The chair is available with or without a swivel mechanism.

Notes

Chair is tested and warranted for use by persons 300 pounds and under. For description of glides, see Casters and Glides in Appendices. Customer's Own Material (COM) requires 2 1/2 yards. Customer's Own Leather (COL) requires 45 square feet. See Order Information in Appendices.

Dimensions



Specification Information

Step 1.

EA40 A

Step 2. Arms

6 no arms A

8 arms A

Step 3. Swivel

S swivel base A

F fixed base, no swivel A

Prices for Steps 1-3.

EA406 S	\$2465
F	\$2548

EA408 S	\$2881
F	\$2964

Step 4. Base/Frame Finish

L polished aluminum <input type="checkbox"/> A	+\$0
BK black <input type="checkbox"/> A	+\$87
91 white <input type="checkbox"/> A	+\$87

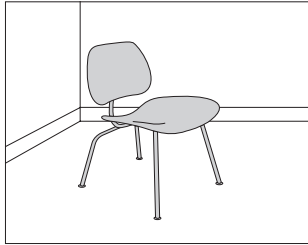
Eames® Soft Pad Side Chair *continued*

Herman Miller Collection—Side & Stacking Chairs

Step 5. Fabric	
Price Category 1	+\$0
Price Category 2	+\$73
Price Category 3	+\$157
Price Category (Geiger) 3	+\$157
Price Category 4	+\$242
Price Category 5	+\$291
Price Category (Geiger) 5	+\$291
Price Category 6	+\$309
Price Category 7	+\$297
Price Category (Geiger) 7	+\$297
Price Category 9	+\$592
Price Category (Geiger) 10	+\$669
Price Category 10M	+\$906
Price Category 11	+\$792
Price Category B	+\$71
Price Category C	+\$105
Price Category D	+\$140
Price Category E	+\$175
Price Category F	+\$230
Price Category G	+\$298
Price Category H	+\$363
Price Category I	+\$426
Price Category J	+\$490
Price Category K	+\$553
Price Category L	+\$617
Price Category M	+\$681
Price Category N	+\$744
Price Category P	+\$871

Eames® Molded Plywood Dining Chair Metal Base

DCM.



Product Information

Description

This 29½"-high molded plywood chair has natural face veneers, hardwood inner plies, and a 5-ply seat and back. It has a 4-leg base and self-leveling nylon glides. When upholstered, the back and seat shells have exposed veneer on their backside.

Notes

Red stain (11) shell finish is on birch veneer. This stain allows the wood grain to show through; inner plies are visible. Natural variations in wood grain may affect the appearance of this stain color.

Ebony (EN) shell finish is stain on ash veneer; inner plies are not as visible.

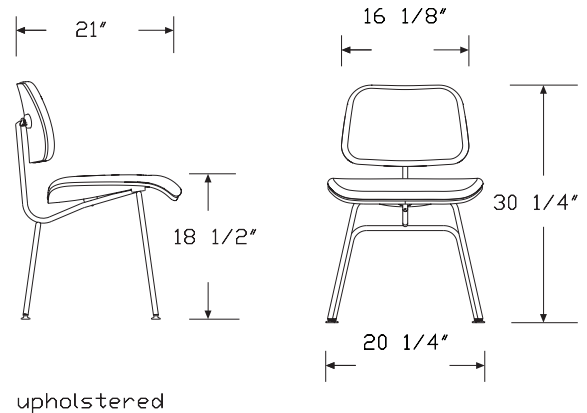
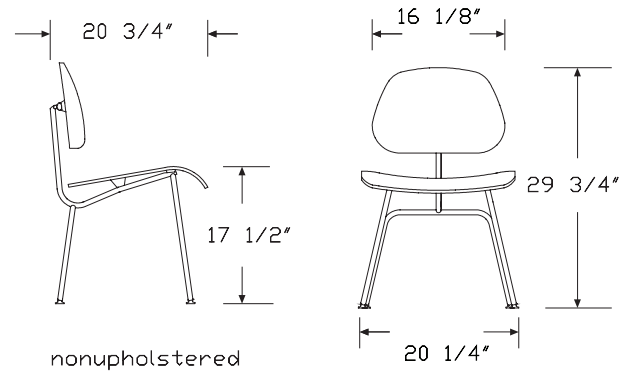
Black (BK) base finish has black glides. Trivalent chrome (47) base finish has white glides.

Santos palisander veneer is celebrated for its unique grain and color variations. Similar products ordered in multiples or dissimilar products ordered separately should be expected to have variation in both grain and color characteristics; no two products will look exactly alike.

Avoid placement in direct sunlight.

Customer's Own Material (COM) requires 1 yard. Customer's Own Leather (COL), requires 18 square feet. See COM Information in Appendices for additional information.

Dimensions



Eames® Molded Plywood Dining Chair Metal Base *continued*

Specification Information

Step 1.

DC A

Step 2. Upholstery

M. nonupholstered shell A

M.U upholstered shell A

Prices for Steps 1-2.

DCM. \$797

DCM.U \$1317

Step 3. Base Finish

BK black A +\$0

47 trivalent chrome A +\$20

Step 4. Shell Finish

Wood Veneer

OU walnut A +\$0

11 red stain A +\$115

A2 white ash A +\$115

EN ebony A +\$115

9N santos palisander A +\$285

Step 5. Fabric

For upholstered shell (M.U)

Price Category 1 +\$0

Price Category 2 +\$30

Price Category 3 +\$57

Price Category (Geiger) 3 +\$57

Price Category 4 +\$86

Price Category (Geiger) 4 +\$86

Price Category 5 +\$101

Price Category (Geiger) 5 +\$90

Price Category 6 +\$119

Price Category 7 +\$181

Price Category (Geiger) 7 +\$181

Price Category 8 +\$236

Price Category 9 +\$351

Price Category 10 +\$389

Price Category (Geiger) 10 +\$389

Price Category 11 +\$424

Price Category 14 +\$508

Price Category 10M +\$327

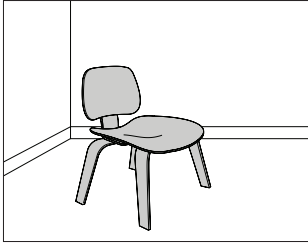
Price Category C +\$57

Price Category D +\$80

Price Category E	+\$116
Price Category F	+\$160
Price Category G	+\$272
Price Category H	+\$305
Price Category I	+\$341
Price Category J	+\$376
Price Category L	+\$462
Price Category K	+\$413
Price Category M	+\$519
Price Category N	+\$554
Price Category O	+\$589
Price Category P	+\$611
Price Category Q	+\$660
Price Category R	+\$711

Eames® Molded Plywood Dining
Chair Wood Base

DCW.



Product Information

Description

This 28³/₄"-high molded plywood chair has natural face veneers, hardwood inner plies, a 5-ply seat and back, and 8-ply legs. When upholstered, the back and seat shells have exposed veneer on their backside.

Notes

Red stain (11) finish is on birch veneer. This stain allows the wood grain to show through; inner plies are visible. Natural variations in wood grain may affect the appearance of this stain color.

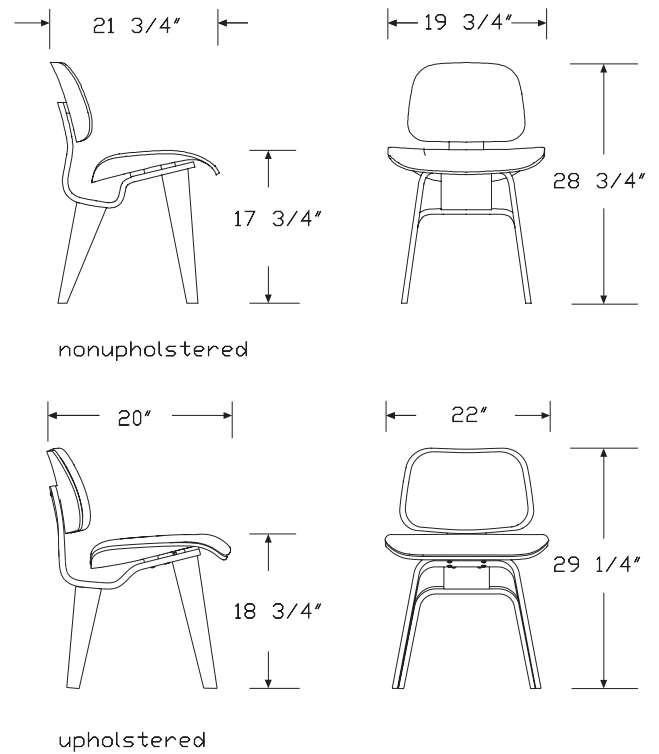
Ebony (EN) shell finish is stain on ash veneer; inner plies are not as visible.

Santos palisander veneer is celebrated for its unique grain and color variations. Similar products ordered in multiples or dissimilar products ordered separately should be expected to have variation in both grain and color characteristics; no two products will look exactly alike.

Avoid placement in direct sunlight.

Customer's Own Material (COM) requires 1 yard. Customer's Own Leather (COL), requires 18 square feet. See COM Information in Appendices for additional information.

Dimensions



Eames® Molded Plywood Dining Chair Wood Base *continued*

Specification Information

Step 1.

DC A

Step 2. Upholstery

W. nonupholstered shell A

W.U upholstered shell A

Prices for Steps 1-2.

DCW. \$1076

DCW.U \$1538

Step 3. Finish

OU walnut A +\$0

11 red stain A +\$154

A2 white ash A +\$154

EN ebony A +\$154

9N santos palisander A +\$575

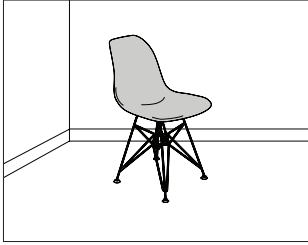
Step 4. Fabric

For upholstered shell (W.U)

Price Category 1	+\$0
Price Category 2	+\$30
Price Category 3	+\$57
Price Category 4	+\$86
Price Category (Geiger) 4	+\$86
Price Category 5	+\$101
Price Category (Geiger) 5	+\$90
Price Category 6	+\$119
Price Category 7	+\$181
Price Category (Geiger) 7	+\$181
Price Category 8	+\$236
Price Category 9	+\$351
Price Category 10	+\$327
Price Category (Geiger) 10	+\$389
Price Category 11	+\$424
Price Category 14	+\$508
Price Category 10M	+\$327
Price Category C	+\$57
Price Category D	+\$80
Price Category E	+\$116
Price Category F	+\$160
Price Category G	+\$272
Price Category H	+\$305
Price Category I	+\$341
Price Category J	+\$376
Price Category K	+\$413
Price Category L	+\$462
Price Category M	+\$519
Price Category N	+\$554
Price Category O	+\$589
Price Category P	+\$611
Price Category Q	+\$660
Price Category R	+\$711

Eames® Molded Plastic Side Chair

DSR.
DSS.
DSW.
DSX.



Product Information

Description

This chair has a single-piece nonupholstered shell with waterfall edges and molded plastic seat and flexible back. Base options include a wire base, a stacking/ganging base, a dowel base, or a 4-leg base. The dowel base has non-adjustable nylon glides. Standard glides can be ordered with or without felt. Ships assembled.

Notes

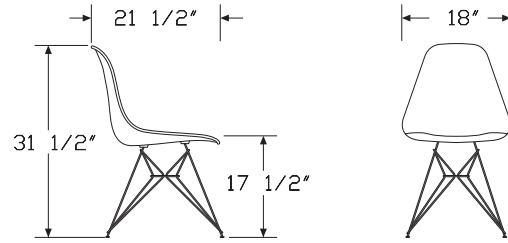
Ebony (EN) and walnut (OU) dowel legs are stained ash wood with black glides.

Natural maple (UL) and white ash (A2) dowel legs have white glides.

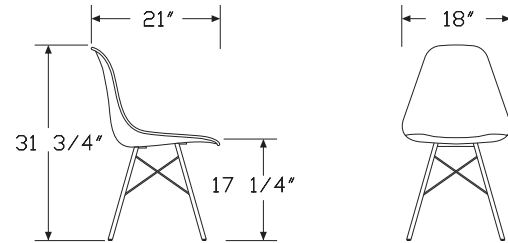
Dowel base has glide option to include felt bottom.

Stacking/ganging base chairs can stack up to 14 high. For ease of mobility, two types of dollies are available, but sold separately.

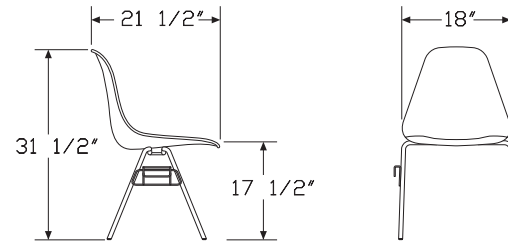
Dimensions



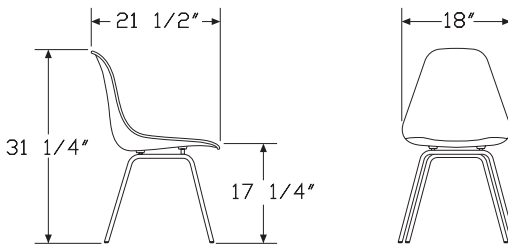
Wire Base



Dowel-Leg Base



Stacking/Ganging Base



4-Leg Base

Eames® Molded Plastic Side Chair

continued

Specification Information

Step 1.

DS

Step 2. Base Option

- R.** wire base with nonupholstered shell
- S.** stacking/ganging base with nonupholstered shell
- W.** dowel base with nonupholstered shell
- X.** 4-leg base with nonupholstered shell

Prices for Steps 1-2.

DSR.	\$375
DSS.	\$385
DSW.	\$525
DSX.	\$340

Step 3. Base Finish

For wire base with nonupholstered shell (R.), dowel base with nonupholstered shell (W.), or 4-leg base with nonupholstered shell (X.)

91	white A	+\$0
BK	black	+\$0
47	trivalent chrome	+\$20

For stacking/ganging base with nonupholstered shell (S.)

47	trivalent chrome	+\$20
-----------	------------------	-------

Step 4. Dowel Finish

For dowel base with nonupholstered shell (W.)

UL	natural maple	+\$0
A2	white ash A	+\$30
EN	ebony	+\$30
OU	walnut	+\$30

Step 5. Seat/Back Finish

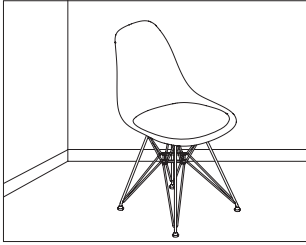
4T	aqua sky	+\$0
5B	java	+\$0
9J	sparrow	+\$0
CHL	charcoal	+\$0
PBL	peacock blue	+\$0
STN	stone	+\$0
ZA	black	+\$0
ZE	red orange	+\$0
ZF	white	+\$0
ZM	alpine	+\$0

Step 6. Glide Option

E8	standard glide	+\$0
E9	standard glide with felt bottom	+\$25

Eames® Upholstered Molded Plastic Side Chair

DSR.
DSW.
DSX.



Product Information

Description

This side chair has a molded 1-piece construction with waterfall edges, molded plastic seat and flexible back. It has a fully upholstered shell or an attached upholstered seat pad. Seat pad is easily removable for cleaning or reupholstery. Base options include a wire base, dowel base, or 4-leg base. The dowel base has non-adjustable nylon glides. Standard glides can be ordered with or without felt. Ships assembled.

Notes

Ebony (EN) and walnut (OU) dowel legs are stained ash wood with black glides.

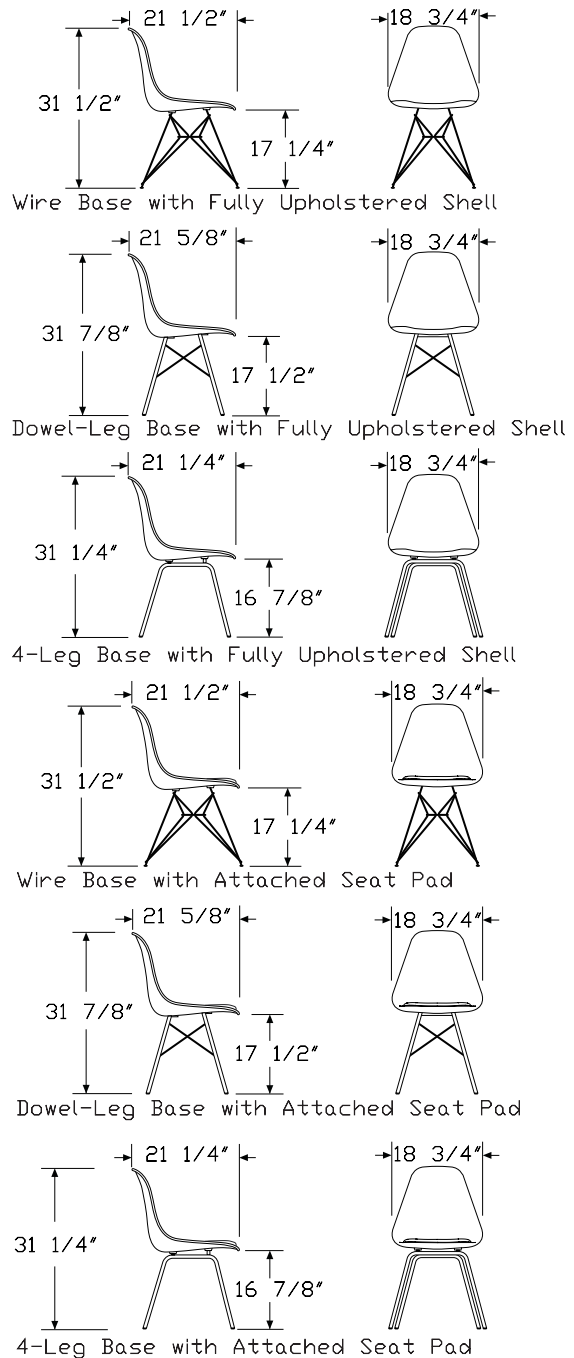
Natural maple (UL) and white ash (A2) dowel legs have white glides.

Dowel base has glide option to include felt bottom.

Seat pad is upholstered with textiles or leather for indoor use only.

For upholstered seat pad (P), Customer's Own Material (COM) requires 1 yard. Customer's Own Leather (COL) requires 9 square feet. See Order Information in appendices.

Dimensions



Eames® Upholstered Molded Plastic Side Chair *continued*

Specification Information	
Step 1.	
DS	A
Step 2. Base	
R.	wire leg A
W.	dowel base A
X.	4-leg base A
Step 3. Upholstery	
P	upholstered seat pad A
U	fully upholstered shell A
Prices for Steps 1-3.	
DSR. P	\$495
U	\$590
DSW. P	\$645
U	\$740
DSX. P	\$460
U	\$555
Step 4. Base Finish	
91	white A +\$0
BK	black A +\$0
47	trivalent chrome A +\$20
Step 5. Dowel Finish	
<i>For dowel base (W.)</i>	
A2	white ash A +\$30
EN	ebony A +\$30
OU	walnut A +\$30
UL	natural maple A +\$0

Step 6. Back Finish	
4T	aqua sky A +\$0
5B	java A +\$0
9J	sparrow A +\$0
BLE	blue ice +\$0
BLH	blush +\$0
CHL	charcoal +\$0
KGR	kelly green +\$0
PBL	peacock blue +\$0
PYW	pale yellow +\$0
STN	stone +\$0
ZA	black A +\$0
ZE	red orange A +\$0
ZF	white A +\$0
ZM	alpine +\$0

Step 7. Edge Finish	
<i>For fully upholstered shell (U)</i>	
111	parchment A +\$0
BK	black A +\$0
ZF	white A +\$0

Step 8. Upholstery	
<i>For fully upholstered shell (U)</i>	
Price Category 2	+\$26
Price Category 5	+\$61
Price Category B	+\$30
Price Category G	+\$212
Price Category H	+\$212
Price Category K	+\$380

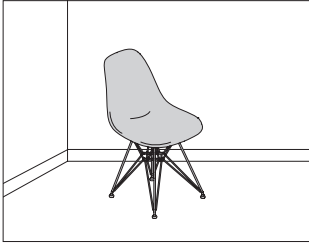
<i>For upholstered seat pad (P)</i>	
Price Category B	+\$30
Price Category 3	+\$25
Price Category 1	+\$0
Price Category 2	+\$26
Price Category 4	+\$34
Price Category 5	+\$61
Price Category 7	+\$115
Price Category 8	+\$151
Price Category 9	+\$216
Price Category 11	+\$262
Price Category G	+\$170
Price Category H	+\$210
Price Category K	+\$380

Eames® Upholstered Molded
Plastic Side Chair *continued*

Step 9. Glide Option		
E8	standard glide	+\$0
E9	standard glide with felt bottom	+\$25

Eames® Molded Fiberglass Side Chair

DFSR.
DFSS.
DFSW.
DFSX.



Herman Miller Collection—Side & Stacking Chairs

Product Information

Description

This chair has a single-piece nonupholstered shell with waterfall edges and molded fiberglass seat and flexible back. Base options include a wire base, stacking/ganging base, dowel base, or a 4-leg base. The dowel base has non-adjustable nylon glides. Standard glides can be ordered with or without felt. Ships assembled.

Notes

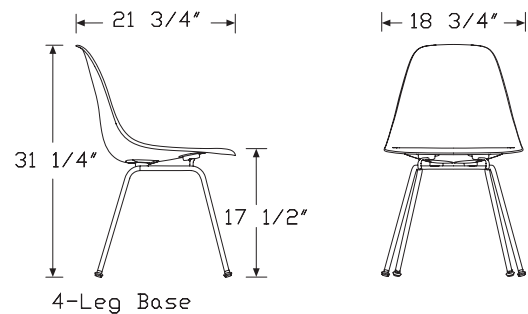
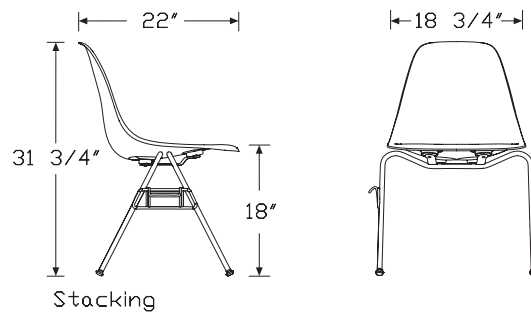
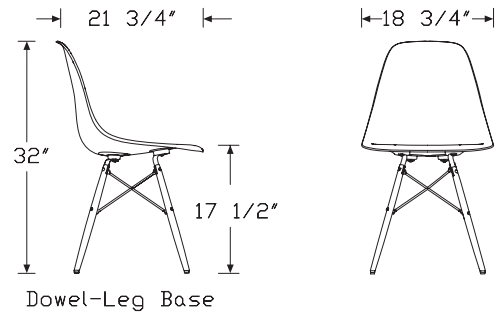
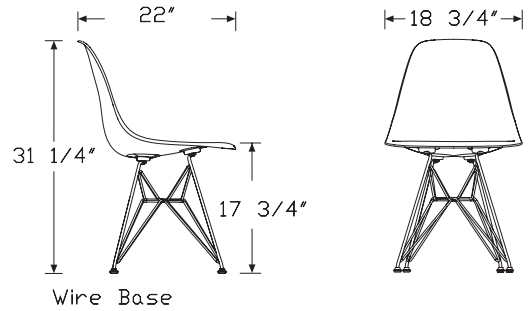
Ebony (EN) and walnut (OU) dowel legs are stained ash wood with black glides.

Natural maple (UL) and white ash (A2) dowel legs have white glides.

Dowel base has glide option to include felt bottom.

Stacking base chairs can stack up to 14 high. For ease of mobility, two types of dollies are available, but sold separately.

Dimensions



Eames® Molded Fiberglass Side Chair *continued*

Specification Information

Step 1.

DFS

Step 2. Base Option

- R.** wire base with nonupholstered shell
- S.** stacking/ganging base with nonupholstered shell
- W.** dowel base with nonupholstered shell
- X.** 4-leg base with nonupholstered shell

Prices for Steps 1-2.

DFSR.	\$655
DFSS.	\$665
DFSW.	\$805
DFSX.	\$620

Step 3. Base Finish

For wire base with nonupholstered shell (R.), dowel base with nonupholstered shell (W.), or 4-leg base with nonupholstered shell (X.)

91 white	+\$0
BK black	+\$0
47 trivalent chrome	+\$20

For stacking/ganging base with nonupholstered shell (S.)

47 trivalent chrome	+\$20
----------------------------	-------

Step 4. Dowel Finish

For dowel base with nonupholstered shell (W.)

UL natural maple	+\$0
A2 white ash	+\$30
EN ebony	+\$30
OU walnut	+\$30

Step 5. Seat/Back Finish

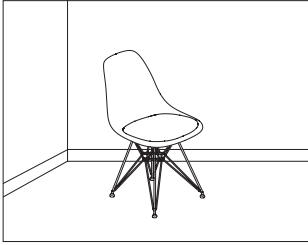
111 parchment	+\$0
112 elephant hide grey	+\$0
113 ultramarine blue	+\$0
114 red orange	+\$0
115 lemon yellow	+\$0
116 green	+\$0
117 navy blue	+\$0
118 black	+\$0
119 seal brown	+\$0

Step 6. Glide Option

E8 standard glide	+\$0
E9 standard glide with felt bottom	+\$25

Eames® Upholstered Molded Fiberglass Side Chair

DFSR.
DFSW.
DFSX.



Herman Miller Collection—Side & Stacking Chairs

Product Information

Description

This side chair has a molded 1-piece construction with waterfall edges, molded fiberglass seat and flexible back. It has a fully upholstered shell or an attached upholstered seat pad. Seat pad is easily removable for cleaning or reupholstery. Base options include a wire base, dowel base, or 4-leg base. The dowel base has non-adjustable nylon glides. Standard glides can be ordered with or without felt. Ships assembled.

Notes

Ebony (EN) and walnut (OU) dowel legs are stained ash wood with black glides.

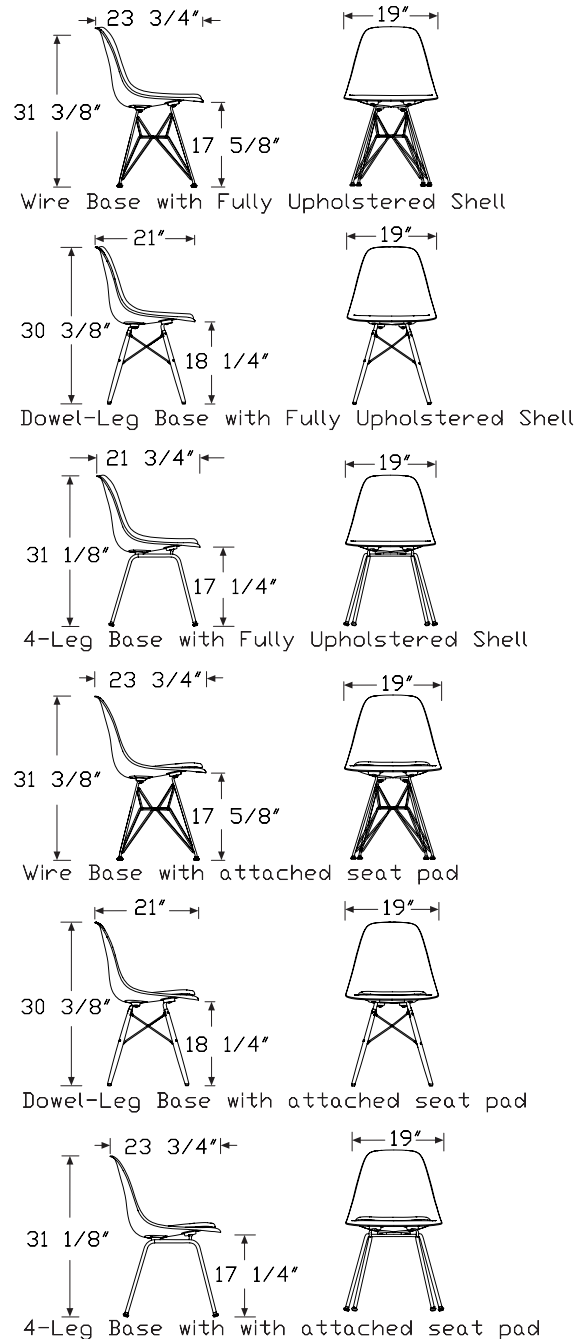
Natural maple (UL) and white ash (A2) dowel legs have white glides.

Dowel base has glide option to include felt bottom.

Seat pad is upholstered with textiles or leather for indoor use only.

For upholstered seat pad (P), Customer's Own Material (COM) requires 1 yard. Customer's Own Leather (COL) requires 9 square feet. See Order Information in appendices.

Dimensions



Eames® Upholstered Molded Fiberglass Side Chair *continued*

Specification Information

Step 1.

DFS A

Step 2. Base

R. wire leg A

W. dowel base A

X. 4-leg base A

Step 3. Upholstery

U fully upholstered shell A

P upholstered seat pad A

Prices for Steps 1-3.

DFSR. U	\$870
P	\$775

DFSW. U	\$1020
P	\$925

DFSX. U	\$835
P	\$740

Step 4. Base Finish

91 white A +\$0

BK black A +\$0

47 trivalent chrome A +\$20

Step 5. Dowel Finish

For dowel base (W.)

UL natural maple A +\$0

A2 white ash A +\$30

EN ebony A +\$30

OU walnut A +\$30

Step 6. Back Finish

111 parchment A +\$0

112 elephant hide grey A +\$0

113 ultramarine blue A +\$0

114 red orange A +\$0

115 lemon yellow A +\$0

116 green A +\$0

117 navy blue A +\$0

118 black A +\$0

119 seal brown A +\$0

Step 7. Edge Finish

For fully upholstered shell (U)

ZF white A +\$0

111 parchment A +\$0

BK black A +\$0

Step 8. Upholstery

For fully upholstered shell (U)

Price Category 2 +\$26

Price Category 5 +\$61

Price Category B +\$45

Price Category G +\$212

Price Category H +\$212

Price Category K +\$380

For upholstered seat pad (P)

Price Category 1 +\$0

Price Category 2 +\$26

Price Category 4 +\$34

Price Category 5 +\$61

Price Category 7 +\$115

Price Category 8 +\$151

Price Category 9 +\$216

Price Category 11 +\$262

Price Category B +\$45

Price Category G +\$170

Price Category H +\$210

Price Category K +\$380

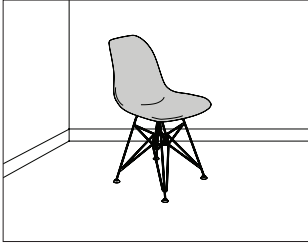
Step 9. Glide Option

E8 standard glide A +\$0

E9 standard glide with felt bottom A +\$25

Eames® Molded Wood Side Chair

DWSR.
DWSW.
DWSX.



HermanMiller Collection—Side & Stacking Chairs

Product Information

Description

This side chair has a molded one-piece construction with waterfall edges, and measures .260" in thickness. Base is attached by non-removable wooden shock mounts. Base options include a wire base, 4-leg base, or a dowel-leg base. The dowel-leg base has non-adjustable nylon glides.

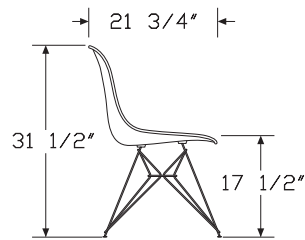
Notes

Ebony (EN) and walnut (OU) dowel legs are stained ash wood with black glides.

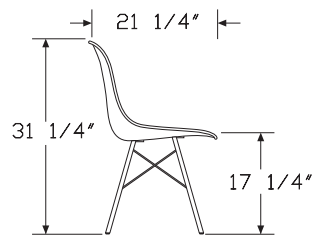
Natural maple (UL) and white ash (A2) dowel legs have white glides.

Dowel base has glide option to include felt bottom.

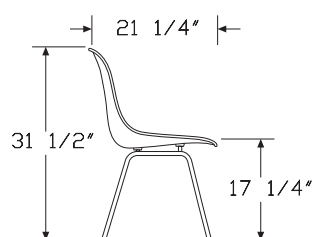
Dimensions



Wire Base



Dowel-Leg Base



4-Leg Base

Specification Information

Step 1.

DWS A

Step 2. Base Option

- R.** wire base
- W.** dowel base A
- X.** 4-leg base A

Prices for Steps 1-2.

DWSR.	\$778
DWSW.	\$928
DWSX.	\$743

Step 3. Base Finish

91	white <input type="checkbox"/> A	+\$0
BK	black	+\$0
47	trivalent chrome	+\$20

Step 4. Dowel Finish

For dowel base (W.)

UL	natural maple <input type="checkbox"/> A	+\$0
A2	white ash <input type="checkbox"/> A	+\$30
EN	ebony <input type="checkbox"/> A	+\$30
OU	walnut	+\$30

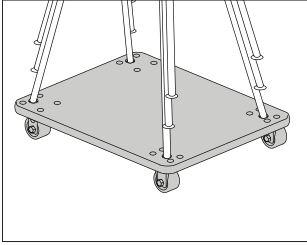
Step 5. Seat/Back Finish

EN	ebony <input type="checkbox"/> A	+\$116
OU	walnut <input type="checkbox"/> A	+\$0
A2	white ash <input type="checkbox"/> A	+\$116
9N	santos palisander	+\$289

Step 6. Glide Option

E8	standard glide	+\$0
E9	standard glide with felt bottom	+\$25

Eames® Side Chair Stacking Base DOLLY.
Dolly



Product Information

Description

This chair dolly stores and transports up to 28 Eames® plastic side chairs with the stacking/ganging base option. It is made of plywood and has 2 locking and 2 non-locking casters.

Notes

Single dolly supports 1 stack of 14 chairs. Double dolly supports 2 stacks of 14 chairs.

Dimensions

Specification Information

Step 1.

DOLLY.

Step 2. Type

A single

B double

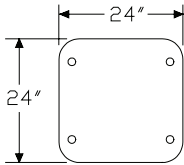
Prices for Steps 1-2.

DOLLY. A

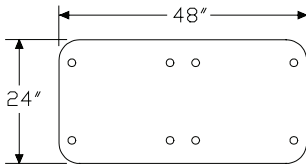
\$495

B

\$575



A (Single)



B (Double)

Eames® Wire Chair

DKR.
DKW.
DKX.



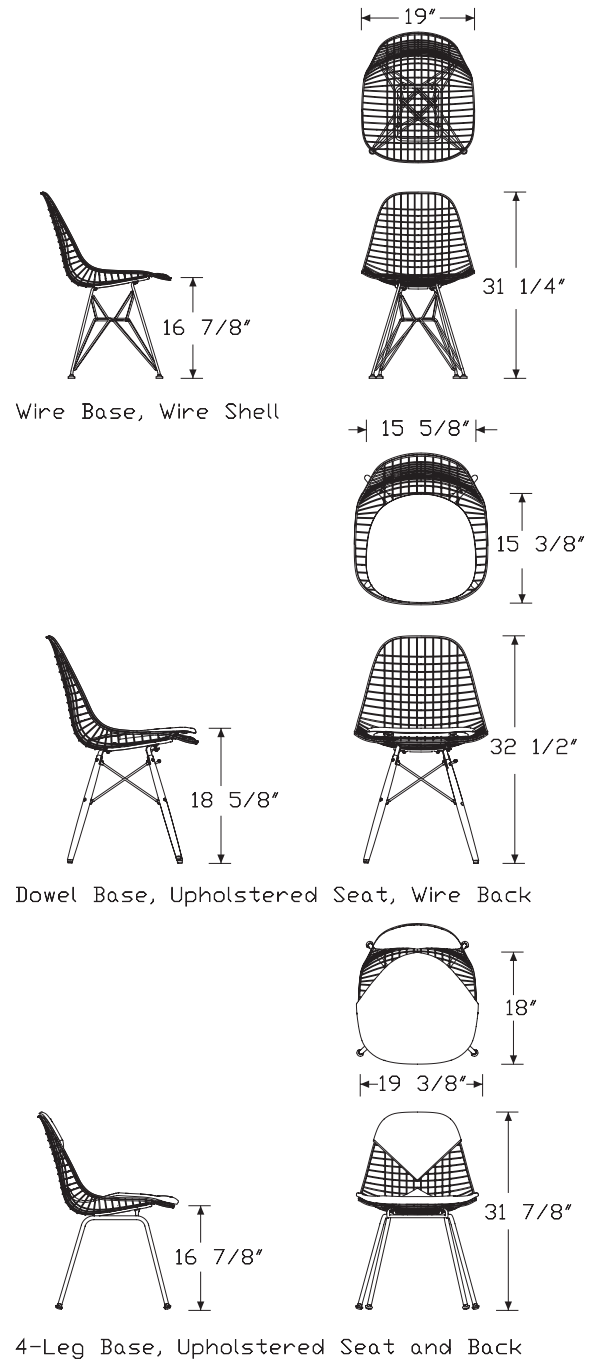
Herman Miller Collection—Side & Stacking Chairs

Product Information

Description

This chair has a wire shell, a wire shell with upholstered seat and back, or a wire shell with upholstered seat and wire back. Wire shell and metal bases are available in trivalent chrome, white or black. Dowel base is available in several finishes. Chair comes with standard indoor glides with or without felt. Suitable for indoor use only.

Dimensions



Specification Information

Step 1.

DK A

Step 2. Base

R. wire leg A

X. 4-leg base A

W. dowel base A

Step 3. Seat/Back Material

0 wire shell

2 wire shell/upholstered seat/back

5 wire shell/upholstered seat/wire back

Prices for Steps 1-3.

DKR.	0	\$824
	2	\$1324
	5	\$1074

DKX.	0	\$789
	2	\$1289
	5	\$1039

DKW.	0	\$974
	2	\$1474
	5	\$1224

Step 4. Seat Frame/Leg Finish

47 trivalent chrome +\$20

91 white +\$0

BK black +\$0

Step 5. Dowel Finish

For dowel base (W.)

UL natural maple A +\$0

A2 white ash A +\$30

EN ebony A +\$30

OU walnut A +\$30

Step 6. Upholstery

For wire shell/upholstered seat/back (2)

Price Category 5 +\$61

Price Category 9 +\$216

Price Category 11 +\$262

Price Category D +\$79

Price Category K +\$380

For wire shell/upholstered seat/wire back (5)

Price Category 1 A +\$0

Price Category 2 +\$26

Price Category 4 +\$34

Price Category 5 +\$61

Price Category 9 +\$216

Price Category 11 +\$262

Price Category G +\$170

Price Category H +\$210

Price Category K +\$380

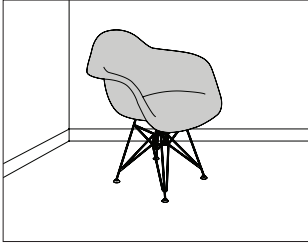
Step 7. Glide Option

E8 standard glide A +\$0

E9 standard glide with felt bottom A +\$25

Eames® Molded Plastic Armchair

DAR.
DAW.
DAX.



Herman Miller Collection—Side & Stacking Chairs

Product Information

Description

This chair has a single-piece shell with waterfall edges and molded back, seat and arms. Base options include a wire base, dowel base, or a 4-leg base. The dowel base has non-adjustable nylon glides.

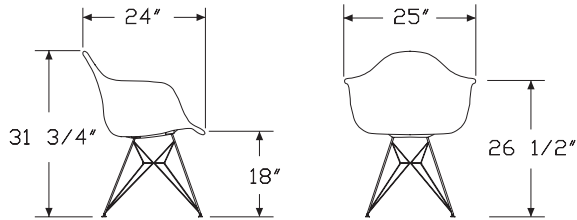
Notes

Ebony (EN) and walnut (OU) dowel legs are stained ash wood with black glides.

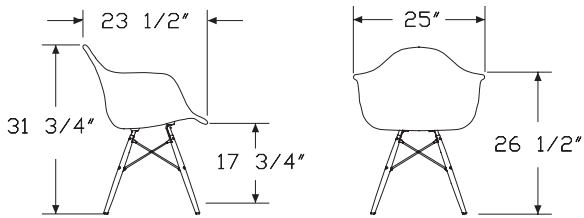
Natural maple (UL) and white ash (A2) dowel legs have white glides.

Dowel base has glide option to include felt bottom.

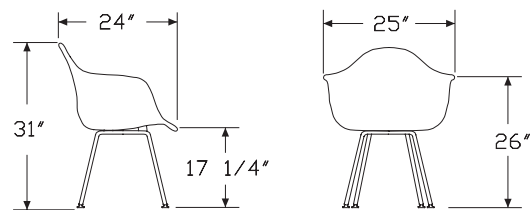
Dimensions



Wire Base



Dowel-Leg Base



4-Leg Base

Specification Information

Step 1.

DA

Step 2. Base Option

- R.** wire base with nonupholstered shell
- W.** dowel base with nonupholstered shell
- X.** 4-leg base with nonupholstered shell

Prices for Steps 1-2.

DAR.	\$515
DAW.	\$665
DAX.	\$480

Step 3. Base Finish

91	white A	+\$0
BK	black	+\$0
47	trivalent chrome	+\$20

Step 4. Dowel Finish

For dowel base with nonupholstered shell (W.)

UL	natural maple	+\$0
A2	white ash A	+\$30
EN	ebony	+\$30
OU	walnut	+\$30

Step 5. Seat/Back Finish

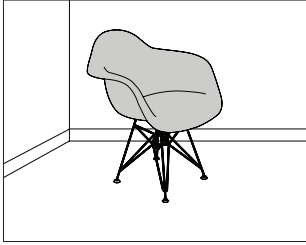
4T	aqua sky	+\$0
5B	java	+\$0
9J	sparrow	+\$0
CHL	charcoal	+\$0
PBL	peacock blue	+\$0
STN	stone	+\$0
ZA	black	+\$0
ZE	red orange	+\$0
ZF	white	+\$0
ZM	alpine	+\$0

Step 6. Glide Option

E8	standard glide	+\$0
E9	standard glide with felt bottom	+\$25

Eames® Upholstered Molded Plastic Armchair

DAR.
DAW.
DAX.



Product Information

Description

This chair has a single-piece molded plastic shell with waterfall edges and upholstered back, seat and arms or an upholstered seat pad. Base options include a wire base, dowel base, or a 4-leg base. The dowel base has non-adjustable nylon glides. Standard glides can be ordered with or without felt. Ships assembled.

Notes

Ebony (EN) and walnut (OU) dowel legs are stained ash wood with black glides.

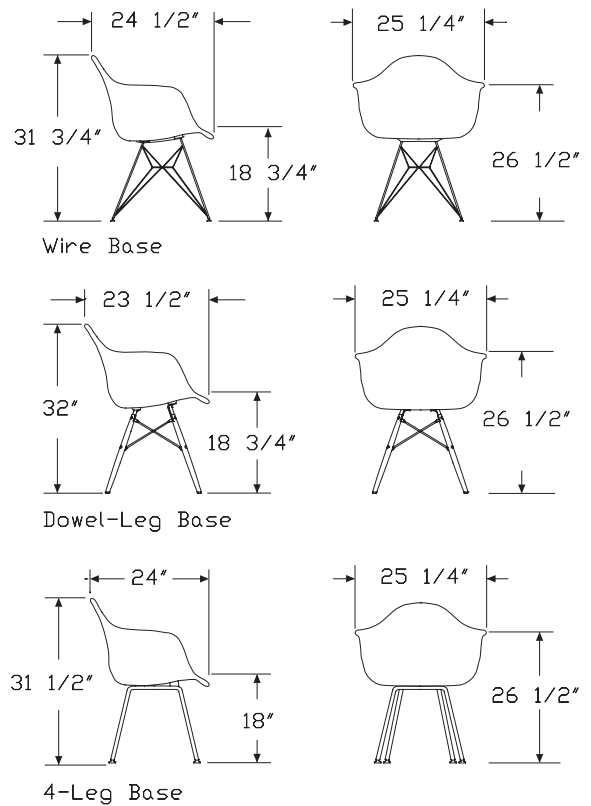
Natural maple (UL) and white ash (A2) dowel legs have white glides.

Dowel base has glide option to include felt bottom.

Seat pad upholstered with textiles or leather for indoor use only.

For upholstered seat pad (P), Customer's Own Material (COM) requires 1 yard. Customer's Own Leather (COL) requires 9 square feet. See Order Information in appendices.

Dimensions



Eames® Upholstered Molded Plastic Armchair *continued*

Specification Information	
Step 1.	
DA	A
Step 2. Base Option	
R.	wire leg A
W.	dowel base A
X.	4-leg base A
Step 3. Upholstery	
P	upholstered seat pad A
U	fully upholstered shell A
Prices for Steps 1-3.	
DAR. P	\$635
U	\$765
DAW. P	\$785
U	\$915
DAX. P	\$600
U	\$730
Step 4. Base Finish	
91	white A +\$0
BK	black A +\$0
47	trivalent chrome A +\$20
Step 5. Dowel Finish	
<i>For dowel base (W.)</i>	
UL	natural maple A +\$0
A2	white ash A +\$30
EN	ebony A +\$30
OU	walnut A +\$30

Step 6. Back Finish	
4T	aqua sky A +\$0
5B	java A +\$0
9J	sparrow A +\$0
ZA	black A +\$0
ZE	red orange A +\$0
ZF	white A +\$0
ZM	alpine +\$0
PYW	pale yellow +\$0
BLE	blue ice +\$0
BLH	blush +\$0
PBL	peacock blue +\$0
STN	stone +\$0
KGR	kelly green +\$0
CHL	charcoal +\$0

Step 7. Edge Finish	
<i>For fully upholstered shell (U)</i>	
111	parchment A +\$0
BK	black A +\$0
ZF	white A +\$0

Step 8. Fabric	
<i>For fully upholstered shell (U)</i>	
Price Category 2	+\$37
Price Category 5	+\$47
Price Category B	+\$30
Price Category H	+\$212
Price Category K	+\$380

<i>For upholstered seat pad (P)</i>	
Price Category 1	+\$0
Price Category 2	+\$26
Price Category 3	+\$0
Price Category 4	+\$34
Price Category 5	+\$61
Price Category 8	+\$146
Price Category 9	+\$216
Price Category 11	+\$262
Price Category B	+\$30
Price Category G	+\$170
Price Category H	+\$210
Price Category K	+\$380

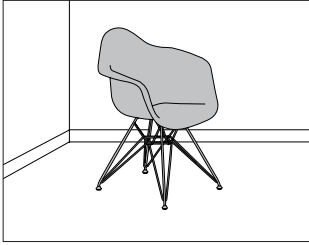
Eames® Upholstered Molded Plastic Armchair *continued*

Step 9. Glide Option

E8	standard glide	+\$0
E9	standard glide with felt bottom	+\$25

Eames® Molded Fiberglass
Armchair

DFAR.
DFAW.
DFAX.



Herman Miller Collection—Side & Stacking Chairs

Product Information

Description

This chair has a single-piece nonupholstered shell with waterfall edges and molded fiberglass back, seat and arms. Base options include a wire base, dowel base, or a 4-leg base. The dowel base has nonadjustable nylon glides. Standard glides can be ordered with or without felt. Ships assembled.

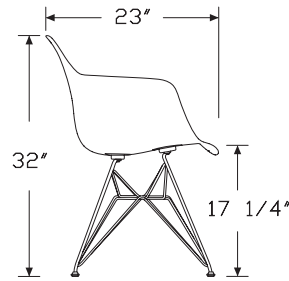
Notes

Ebony (EN) and walnut (OU) dowel legs are stained ash wood with black glides.

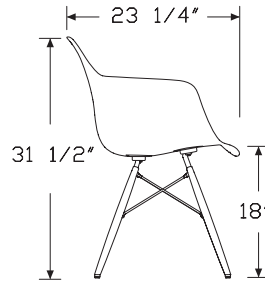
Natural maple (UL) and white ash (A2) dowel legs have white glides.

Dowel base has glide option to include felt bottom.

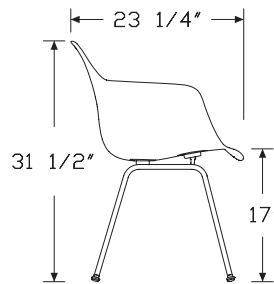
Dimensions



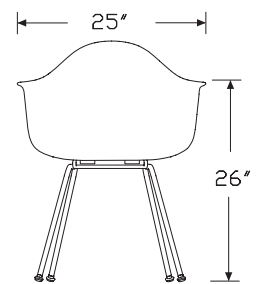
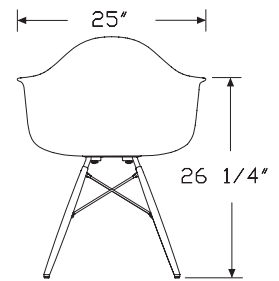
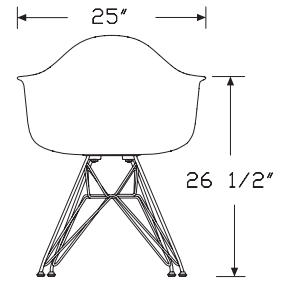
Wire Base



Dowel-Leg Base



4-Leg Base



Eames® Molded Fiberglass Armchair *continued*

Specification Information

Step 1.

DFA

Step 2. Base Option

- R.** wire base with nonupholstered shell
- W.** dowel base with nonupholstered shell
- X.** 4-leg base with nonupholstered shell

Prices for Steps 1-2.

DFAR.	\$795
DFAW.	\$945
DFAX.	\$760

Step 3. Base Finish

91	white	+\$0
BK	black	+\$0
47	trivalent chrome	+\$20

Step 4. Dowel Finish

For dowel base with nonupholstered shell (W.)

UL	natural maple	+\$0
A2	white ash	+\$30
EN	ebony	+\$30
OU	walnut	+\$30

Step 5. Seat/Back Finish

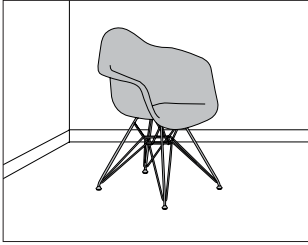
111	parchment	+\$0
112	elephant hide grey	+\$0
113	ultramarine blue	+\$0
114	red orange	+\$0
115	lemon yellow	+\$0
116	green	+\$0
117	navy blue	+\$0
118	black	+\$0
119	seal brown	+\$0

Step 6. Glide Option

E8	standard glide	+\$0
E9	standard glide with felt bottom	+\$25

Eames® Upholstered Molded
Fiberglass Armchair

DFAR.
DFAW.
DFAX.



Herman Miller Collection—Side & Stacking Chairs

Product Information

Description

This chair has a single-piece molded fiberglass shell with waterfall edges and upholstered back, seat and arms or an upholstered seat pad. Base options include a wire base, dowel base, or 4-leg base. The dowel base has nonadjustable nylon glides. Standard glides can be ordered with or without felt. Ships assembled.

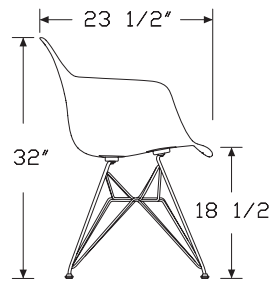
Notes

Ebony (EN) and walnut (OU) dowel legs are stained ash wood with black glides.

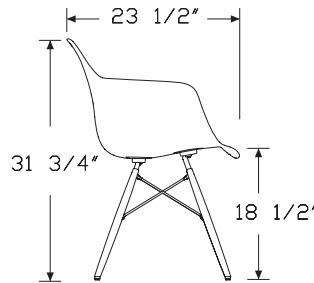
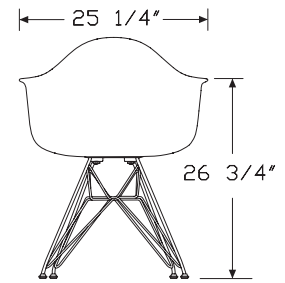
Natural maple (UL) and white ash (A2) dowel legs have white glides.

Dowel base has glide option to include felt bottom.

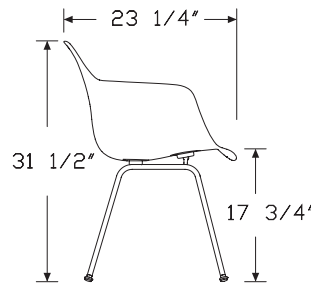
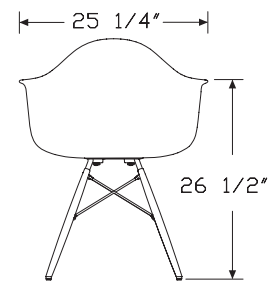
Dimensions



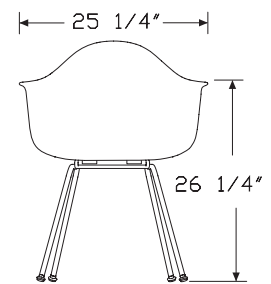
Wire Base



Dowel-Leg Base



4-Leg Base



Eames® Upholstered Molded Fiberglass Armchair *continued*

Specification Information

Step 1.

DFA A

Step 2. Base Option

R. wire leg A

W. dowel base A

X. 4-leg base A

Step 3. Upholstery

U fully upholstered shell A

P upholstered seat pad A

Prices for Steps 1-3.

DFAR. U	\$1045
P	\$915

DFAW. U	\$1195
P	\$1065

DFAX. U	\$1010
P	\$880

Step 4. Base Finish

91 white A +\$0

BK black A +\$0

47 trivalent chrome A +\$20

Step 5. Dowel Finish

For dowel base (W.)

UL natural maple A +\$0

A2 white ash A +\$30

EN ebony A +\$30

OU walnut A +\$30

Step 6. Back Finish

111 parchment A +\$0

112 elephant hide grey A +\$0

113 ultramarine blue A +\$0

114 red orange A +\$0

115 lemon yellow A +\$0

116 green A +\$0

117 navy blue A +\$0

118 black A +\$0

119 seal brown A +\$0

Step 7. Edge Finish

For fully upholstered shell (U)

111 parchment A +\$0

BK black A +\$0

ZF white A +\$0

Step 8. Fabric

For fully upholstered shell (U)

Price Category 2 +\$37

Price Category 5 +\$47

Price Category B +\$45

Price Category H +\$212

Price Category K +\$380

For upholstered seat pad (P)

Price Category 1 +\$0

Price Category 2 +\$26

Price Category 4 +\$34

Price Category 5 +\$61

Price Category 8 +\$146

Price Category 9 +\$216

Price Category 11 +\$262

Price Category G +\$170

Price Category H +\$210

Price Category K +\$380

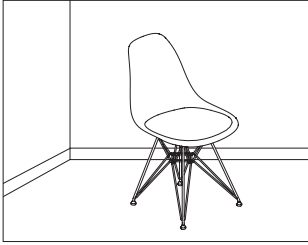
Step 9. Glide Option

E8 standard glide A +\$0

E9 standard glide with felt bottom A +\$25

Eames® Upholstered Molded Wood Side Chair

DWSR.
DWSW.
DWSX.



Herman Miller Collection—Side & Stacking Chairs

Product Information

Description

This side chair has a molded one-piece construction with waterfall edges, and measures .260" in thickness. It comes with an attached upholstered seat pad that is easily removable for cleaning or reupholstery. Base is attached by non-removable wooden shock mounts. Base options include a wire base, 4-leg base, or a dowel-leg base. The dowel-leg base has non-adjustable nylon glides.

Notes

Ebony (EN) and walnut (OU) dowel legs are stained ash wood with black glides.

Natural maple (UL) and white ash (A2) dowel legs have white glides.

Dowel base has glide option to include felt bottom.

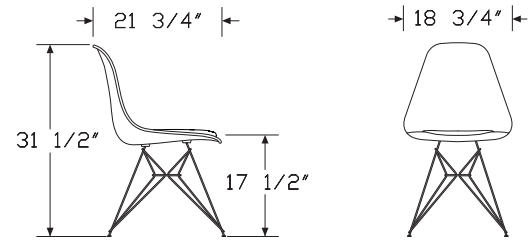
Seat pad is upholstered with textiles or leather for indoor use only.

Customer's Own Material (COM) requires 1 yard. Customer's Own

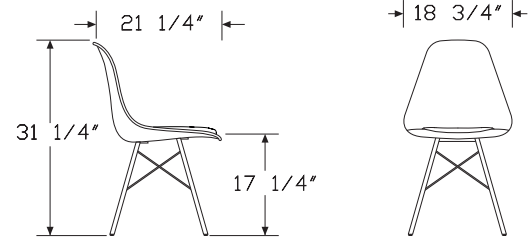
Leather (COL) requires 9 square feet. See Order Information in

appendices.

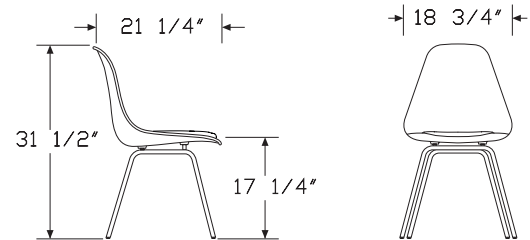
Dimensions



Wire Base



Dowel-Leg Base



4-Leg Base

Eames® Upholstered Molded Wood Side Chair *continued*

Specification Information

Step 1.

DWS A

Step 2. Base Option

- R.** wire base
- W.** dowel base A
- X.** 4-leg base A

Step 3. Upholstery

P upholstered seat pad A

Prices for Steps 1-3.

DWSR. P \$898

DWSW. P \$1048

DWSX. P \$863

Step 4. Base Finish

- 91** white A +\$0
- BK** black +\$0
- 47** trivalent chrome +\$20

Step 5. Dowel Finish

For dowel base (W.)

- UL** natural maple A +\$0
- A2** white ash A +\$30
- EN** ebony A +\$30
- OU** walnut +\$30

Step 6. Seat/Back Finish

- EN** ebony A +\$116
- OU** walnut A +\$0
- A2** white ash A +\$116
- 9N** santos palisander +\$289

Step 7. Upholstery

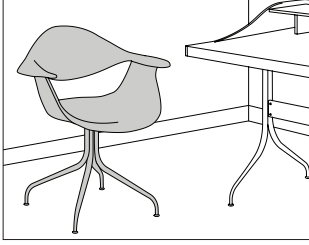
- Price Category 1 +\$0
- Price Category 2 +\$26
- Price Category 4 +\$34
- Price Category 5 +\$61
- Price Category 7 +\$115
- Price Category 8 +\$151
- Price Category 9 +\$216
- Price Category 11 +\$262
- Price Category G +\$170
- Price Category H +\$210
- Price Category K +\$380

Step 8. Glide Option

- E8** standard glide +\$0
- E9** standard glide with felt bottom +\$25

Nelson™ Swag Leg Armchair

DAF



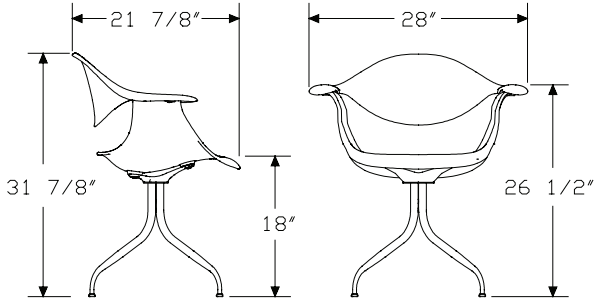
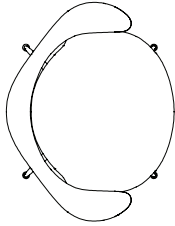
Herman Miller Collection—Side & Stacking Chairs

Product Information

Description

This chair has a 2-piece molded seat with arms and back, waterfall edges, a cast-aluminum base with steel-tube legs, and adjustable glides.

Dimensions



Specification Information

Step 1.

DAF A \$758

Step 2. Base Finish

CH chrome A +\$0

Step 3. Seat Finish

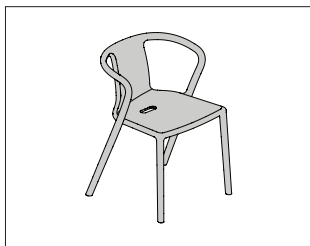
ZF white A +\$0

Step 4. Back Finish

ZF white A +\$0

Air-Chair

MGA00.



Product Information

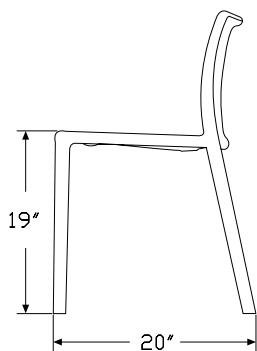
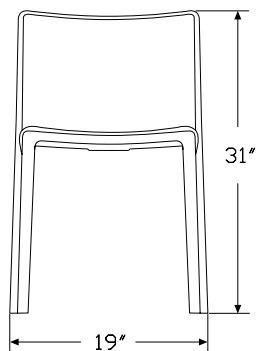
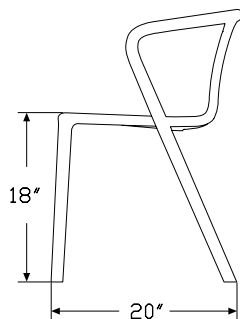
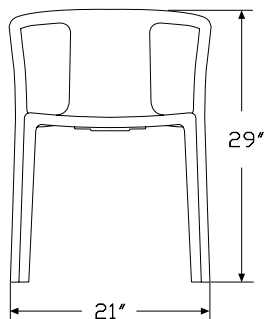
Description

This stacking chair is available with or without arms and is made from polypropylene with glass fibre added. Chairs can stack up to 10 high. Package contains 4 chairs.

Notes

This chair is suitable for outdoor use.

Dimensions



Specification Information

Step 1.

MGA00.

Step 2. Arms

N no arms

A arms

Prices for Steps 1-2.

MGA00.N	\$773
A	\$858

Step 3. Finish

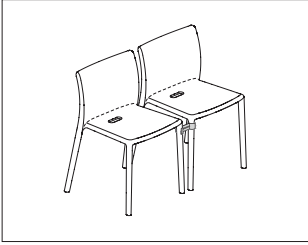
For no arms (N)

YBB beige <input type="checkbox"/>	+\$0
YBC black <input type="checkbox"/>	+\$0
YBH green <input type="checkbox"/>	+\$0
YBM orange <input type="checkbox"/>	+\$0
YBP white	+\$0
PWH pure white <input type="checkbox"/>	+\$0

For arms (A)

YBB beige <input type="checkbox"/>	+\$0
YBH green <input type="checkbox"/>	+\$0
YBJ grey anthracite <input type="checkbox"/>	+\$0
YBM orange <input type="checkbox"/>	+\$0
YBP white	+\$0
PWH pure white <input type="checkbox"/>	+\$0

Air-Chair to Air-Chair Connector MGA90.

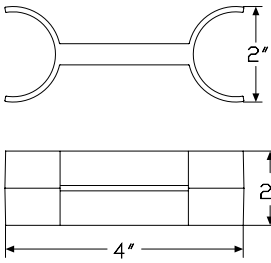


Herman Miller Collection—Side & Stacking Chairs

Product Information

Description
This linking device connects air-chair to air-chair (MGA01, MGA11.)

Dimensions

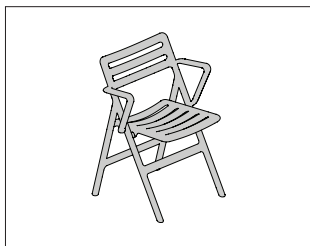


Specification Information

Step 1.
MGA90. A \$15

Air-Folding Chair

MGA01.



Product Information

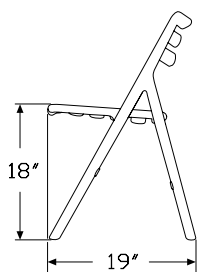
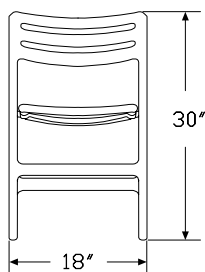
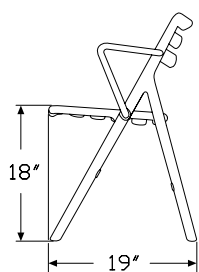
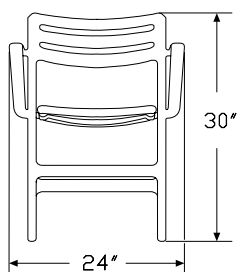
Description

This folding chair is made from polypropylene with glass fibre added. It is available with or without arms. Package contains 2 chairs.

Notes

This chair is suitable for outdoor use.

Dimensions



Specification Information

Step 1.

MGA01.

Step 2. Arms

N no arms

A arms A

Prices for Steps 1-2.

MGA01.N	\$428
A	\$474

Step 3. Finish

For no arms (N)

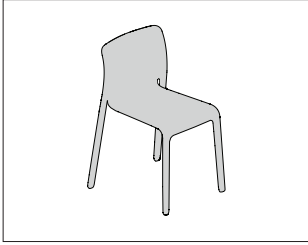
YBH green <input type="checkbox"/> A	+\$0
YBM orange <input type="checkbox"/> A	+\$0
YBP white	+\$0

For arms (A)

YBP white	+\$0
------------------	------

Chair First

MGF00.



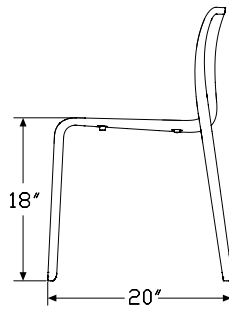
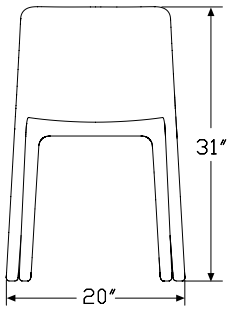
Herman Miller Collection—Side & Stacking Chairs

Product Information

Description
 This stacking chair is made from polypropylene with glass fibre added. Chairs can stack up to 10 high. Package contains 4 chairs.

Notes
 Chair is suitable for outdoor use.

Dimensions



Specification Information

Step 1.
MGF00. A \$1091

Step 2. Finish

YGB	beige	<input type="checkbox"/> A	+\$0
YGC	black	<input type="checkbox"/> A	+\$0
YGH	olive green	<input type="checkbox"/> A	+\$0
YGM	white	<input type="checkbox"/> A	+\$0

Chair_One Stacking Base

MGE00.



Product Information

Description

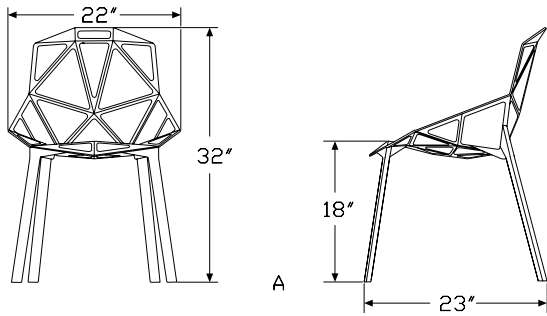
This chair comes with a four-leg base. Chairs can stack up to 8 high. Package contains 2 chairs.

Notes

Chairs with painted aluminum seat and legs or painted aluminum seat/polished aluminum legs are suitable for outdoor use.

Chairs with polished aluminum seat and legs (AL) are NOT suitable for outdoor use.

Dimensions



Specification Information

Step 1.

MGE00.A

Step 2. Seat/Leg Material

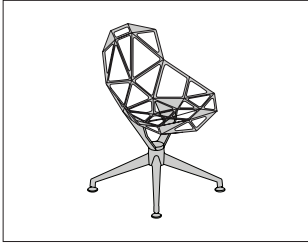
PA painted aluminum seat and legs

Prices for Steps 1-2.

MGE00.A PA \$1150

Step 3. Seat Finish

- YHB** black +\$0
- YHP** white +\$0
- HAA** ADAPTA grey +\$240
- HAB** ADAPTA white +\$240
- HAC** ADAPTA grey/green +\$240
- HAD** ADAPTA blue +\$240



Product Information

Description

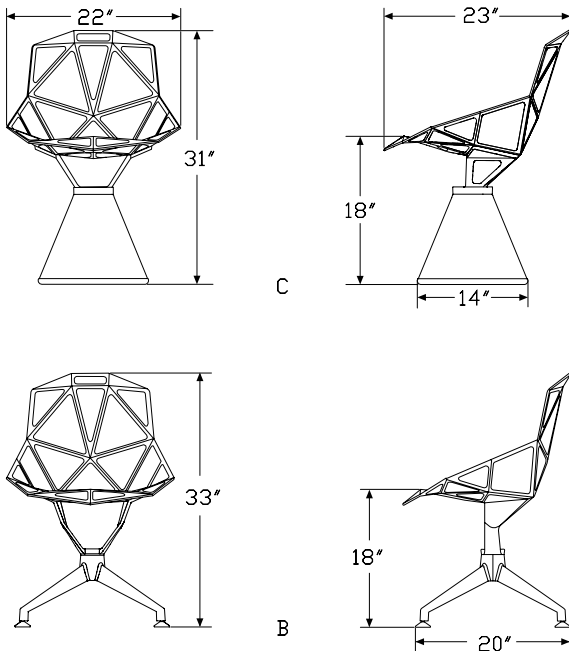
This chair is available with a four-star or concrete base, with or without swivel.

Notes

Chairs with painted aluminum seat and legs (PA), painted aluminum seat and concrete base (PC) or painted aluminum seat and black concrete base (PE) are suitable for outdoor use.

Chairs with polished aluminum seat and legs (AL) or polished aluminum with concrete base (PD) are NOT suitable for outdoor use.

Dimensions



Specification Information

Step 1.

MGE00. A

Step 2. Base

- B** 4-star base A
- C** concrete base A
- D** 4-star base, swivel A
- E** concrete base, swivel A
- F** black concrete base A
- G** black concrete, swivel A

Step 3. Seat/Leg Material

For 4-star base (B) or 4-star base, swivel (D)

PA painted aluminum seat and legs A

For concrete base (C) or concrete base, swivel (E)

PC painted aluminum seat/natural concrete base A

For black concrete base (F) or black concrete, swivel (G)

PE painted aluminum seat/black concrete base A

Prices for Steps 1-3.

	PA	PC	PE
MGE00.B	\$730	—	—
C	—	\$870	—
D	\$730	—	—
E	—	\$1130	—
F	—	—	\$870
G	—	—	\$1130

Step 4. Seat Finish

For 4-star base (B) or 4-star base, swivel (D) with painted aluminum seat and legs (PA)

YHB	black A	+\$0
YHP	white A	+\$0
HAA	ADAPTA grey A	+\$240
HAB	ADAPTA white A	+\$240
HAC	ADAPTA grey/green A	+\$240
HAD	ADAPTA blue A	+\$240

Chair_One *continued*

For concrete base (C) or concrete base, swivel (E) with painted aluminum seat/natural concrete base (PC)

YHB	black	<input type="checkbox"/> A	+\$0
YHM	red	<input type="checkbox"/> A	+\$0
YHP	white	<input type="checkbox"/> A	+\$0
HAA	ADAPTA grey	<input type="checkbox"/> A	+\$200
HAB	ADAPTA white	<input type="checkbox"/> A	+\$200
HAC	ADAPTA grey/green	<input type="checkbox"/> A	+\$200
HAD	ADAPTA blue	<input type="checkbox"/> A	+\$200

For black concrete base (F) or black concrete, swivel (G) with painted aluminum seat/black concrete base (PE)

YHB	black	<input type="checkbox"/> A	+\$0
------------	-------	----------------------------	------

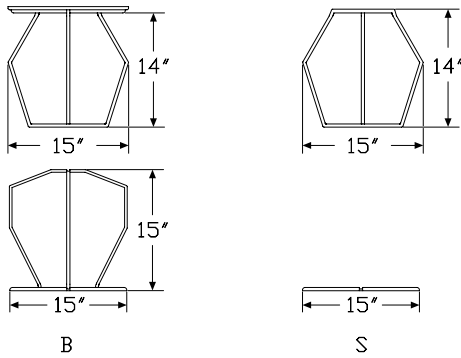


Product Information

Description

This cushion is available as a seat and back or seat only. Package contains 2 seat and back cushions or 2 seat cushions.

Dimensions



Specification Information

Step 1.

MGE90. A

Step 2. Type

S seat cushion A

B seat and back cushion A

Prices for Steps 1-2.

MGE90.S	\$338
B	\$521

Step 3. Fabric

For seat cushion (S)

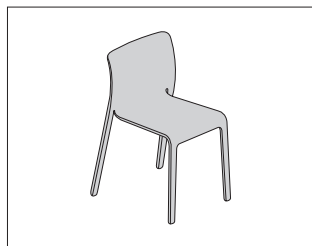
F-088 steelcut trio orange <input type="checkbox"/> A	+\$0
F-222 steelcut trio light blue <input type="checkbox"/> A	+\$0
F-266 steelcut trio beige <input type="checkbox"/> A	+\$0
F-354 steelcut trio green <input type="checkbox"/> A	+\$0
F-521 steelcut trio dark brown <input type="checkbox"/> A	+\$0
F-578 steelcut trio yellow <input type="checkbox"/> A	+\$0
F-741 steelcut trio light grey <input type="checkbox"/> A	+\$0
PN1 white polyurethane <input type="checkbox"/> A	+\$0
PN2 black polyurethane <input type="checkbox"/> A	+\$0
PN3 grey polyurethane <input type="checkbox"/> A	+\$0
PN4 blue polyurethane <input type="checkbox"/> A	+\$0
PN5 grey/green polyurethane <input type="checkbox"/> A	+\$0
YHC black leather <input type="checkbox"/> A	+\$264
YHK natural leather <input type="checkbox"/> A	+\$264

For seat and back cushion (B)

F-088 steelcut trio orange <input type="checkbox"/> A	+\$0
F-222 steelcut trio light blue <input type="checkbox"/> A	+\$0
F-266 steelcut trio beige <input type="checkbox"/> A	+\$0
F-354 steelcut trio green <input type="checkbox"/> A	+\$0
F-521 steelcut trio dark brown <input type="checkbox"/> A	+\$0
F-578 steelcut trio yellow <input type="checkbox"/> A	+\$0
F-741 steelcut trio light grey <input type="checkbox"/> A	+\$0
YHC black leather <input type="checkbox"/> A	+\$366
YHK natural leather <input type="checkbox"/> A	+\$366

Dressed First

MGX00.

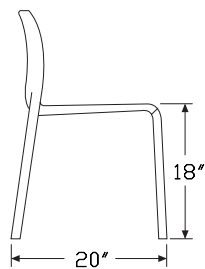
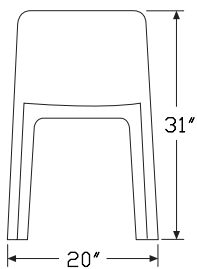


Product Information

Description

This stacking chair is made from polyurethane foam covered with fabric. Package contains 2 chairs.

Dimensions



Specification Information

Step 1.

MGX00. A \$2307

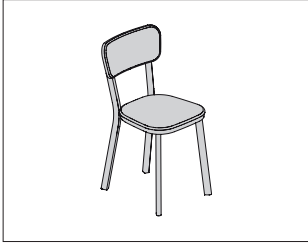
Step 2. Fabric

Price Category G +\$0

Price Category H +\$0

Deja-Vu Chair

MGD00.



Herman Miller Collection—Side & Stacking Chairs

Product Information

Description

This chair is available in polished or painted aluminum. Painted version is suitable for outdoor use.

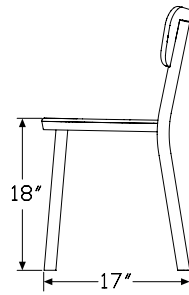
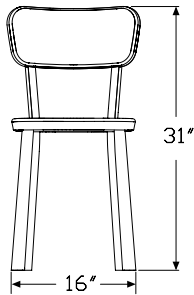
Notes

Seat and inner back material is die-cast aluminum. Legs are extruded aluminum.

Painted aluminum (PA) finish is suitable for outdoor use.

Polished aluminum (AL) finish is NOT suitable for outdoor use.

Dimensions



Specification Information

Step 1.

MGD00. A

Step 2. Finish

AL polished aluminum A

PA painted aluminum

Prices for Steps 1-2.

MGD00.AL	\$755
PA	\$809

Step 3. Leg/Seat/Back Finish

For polished aluminum (AL)

YFD polished aluminum A +\$0

For painted aluminum (PA)

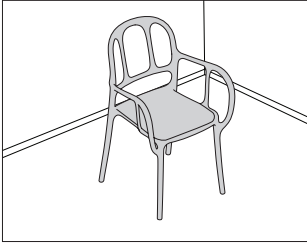
YFB black A +\$0

YLT red purple A +\$0

YLV sand beige A +\$0

Mila Chair

XXSD2

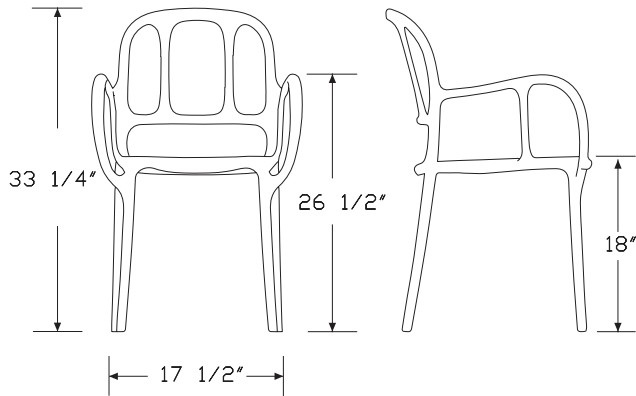
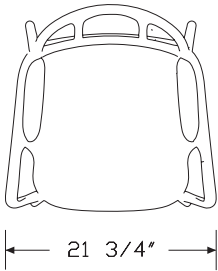


Product Information

Description

This stacking plastic chair is suitable for indoor or outdoor use. Stacks up to 6 high. Package contains 2 chairs.

Dimensions



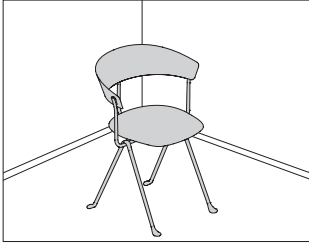
Specification Information

Step 1.

XXSD2100 A \$778

Step 2. Finish

- 1484C** red A +\$0
- 1556C** dark green A +\$0
- 1666C** yellow A +\$0
- 1733C** beige A +\$0
- 1738C** white A +\$0
- 1769C** black A +\$0

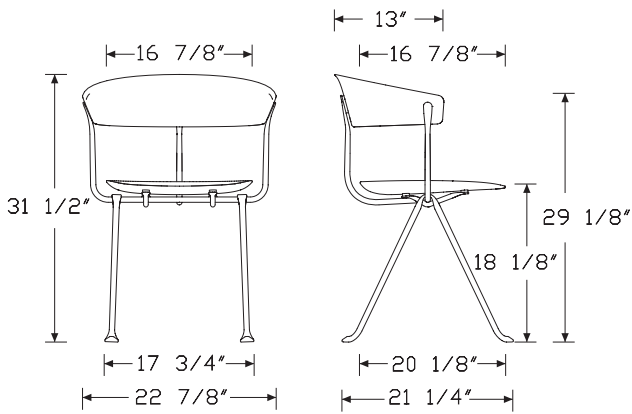


Product Information

Description

This chair has a wrought iron frame available in a galvanized or painted grey anthracite finish. The seat and back are available in polypropylene, beech plywood, fabric or leather. Chair sold individually. Ships assembled.

Dimensions



Specification Information

Step 1.

SD205X A

Step 2. Seat and Back

- F** fabric upholstery A
- L** leather upholstery A
- P** polypropylene A
- W** plywood A

Prices for Steps 1-2.

SD205X F	\$1789
L	\$1849
P	\$749
W	\$1489

Step 3. Frame Finish

- GLV** galvanized A +\$0
- YCB** grey anthracite A +\$0

Step 4. Seat and Back Finish

For polypropylene (P)

- DKG** dark green A +\$0
- MTG** metallized grey A +\$0
- YCB** grey anthracite A +\$0

For leather upholstery (L)

- BLK** black A +\$0
- YNL** natural A +\$0

For plywood (W)

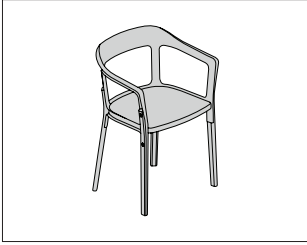
- YNC** natural beech A +\$0
- YNM** black beech A +\$0

For fabric upholstery (F)

- Price Category G +\$0
- Price Category H +\$0

Steelwood Chair

MGS00.

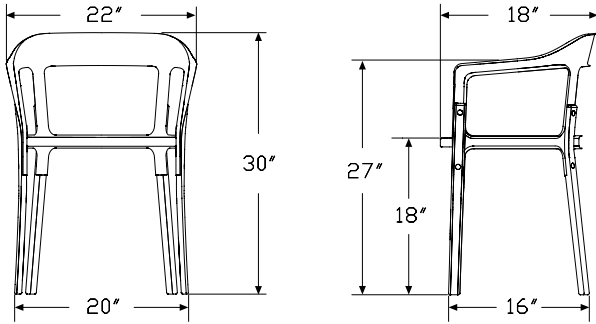


Product Information

Description

The frame of this chair with arms is a steel plate painted in epoxy resin. The legs and seat are solid beech or oak, available in natural and painted.

Dimensions



Specification Information

Step 1.

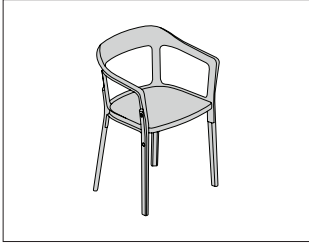
MGS00. A \$835

Step 2. Legs/Seat/Frame Finish

YHH	grey anthracite A	+\$0
YMB	black A	+\$0
YMF	white A	+\$0
YMK	natural beech and black A	+\$0
YMP	grey A	+\$0
YMM	natural beech and white	+\$0
YNN	walnut-stained beech and black	+\$0
YNP	dark beech and black A	+\$0
YNQ	natural oak and white A	+\$100
YNR	natural oak and black	+\$100
YNS	natural oak and grey A	+\$100
YNT	dark oak and grey anthracite A	+\$100

Steelwood Upholstered Chair

MGS00.



Herman Miller Collection—Side & Stacking Chairs

Product Information

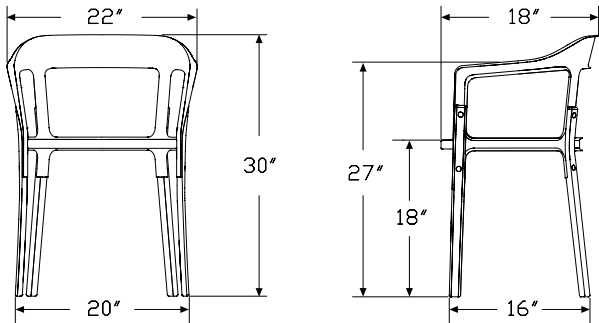
Description

The frame of this chair with arms is a steel plate painted in epoxy resin. The legs are solid beech, painted, and the seat is polypropylene upholstered in Kvadrat Divina MD.

Notes

This chair meets CAL 133 requirements.

Dimensions



Specification Information

Step 1.

MGS00.U A \$895

Step 2. Legs/Seat/Frame Finish

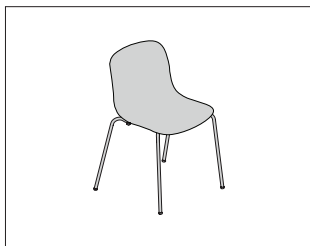
YMB black A +\$0

Step 3. Fabric

Price Category H +\$0

Troy Plastic Chair

MGY08.

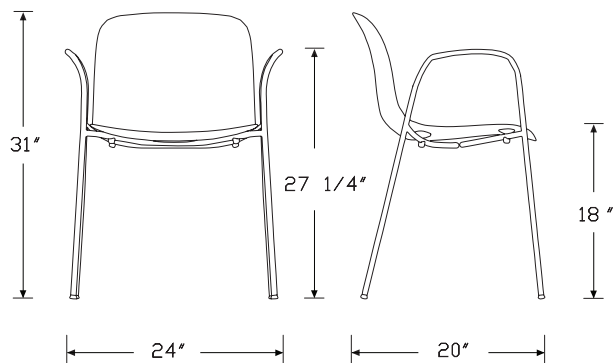


Product Information

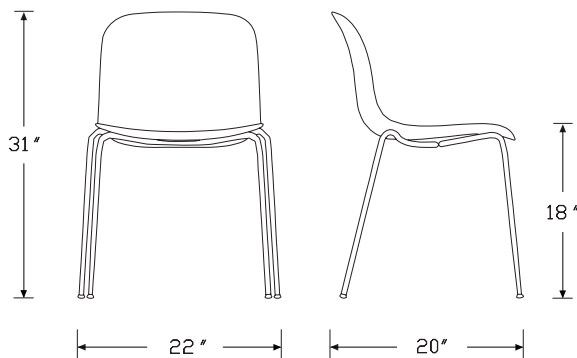
Description

The frame of this stacking chair is steel tube available in chrome or painted, or wood available in black or natural. The seat and back are plastic. Available with or without arms. Chairs with metal frame can stack up to 6 high. Wood frame chairs cannot stack. Package contains 2 chairs.

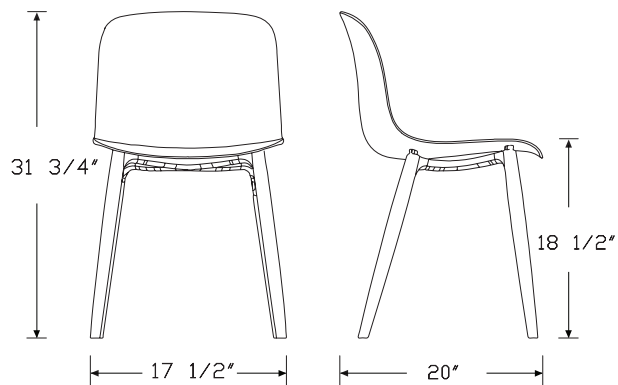
Dimensions



Steel frame with arms



Steel frame no arms



Wood frame

Troy Plastic Chair *continued*

Specification Information

Step 1.

MGY08. A

Step 2. Frame

- P** painted frame no arms A
- PA** painted frame with arms A
- C** chrome frame no arms A
- CA** chrome frame with arms A
- BW** black wood frame no arms A
- NW** natural wood frame no arms A

Prices for Steps 1-2.

MGY08.P	\$803
PA	\$1026
C	\$885
CA	\$1163
BW	\$985
NW	\$985

Step 3. Seat Finish

For painted frame no arms (P), painted frame with arms (PA), chrome frame no arms (C), chrome frame with arms (CA), or natural wood frame no arms (NW)

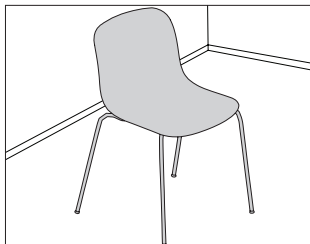
YNG black <input type="checkbox"/> A	+\$0
YNJ white <input type="checkbox"/> A	+\$0
YLW yellow <input type="checkbox"/> A	+\$0
YGJ purple <input type="checkbox"/> A	+\$0
YBH green <input type="checkbox"/> A	+\$0
YGK red <input type="checkbox"/> A	+\$0

For black wood frame no arms (BW)

YNG black <input type="checkbox"/> A	+\$0
---	------

Troy Upholstered Chair

MGY01.

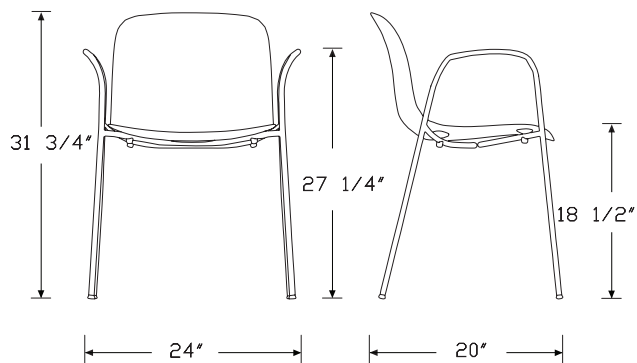


Product Information

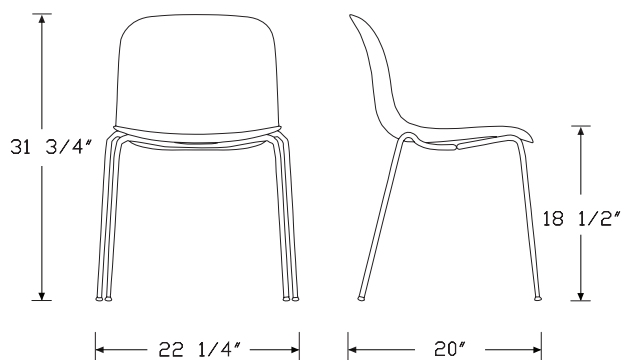
Description

This side chair has a steel tube frame available in chrome or painted in white or black, or a wood frame available in black or natural. The plastic seat and back are upholstered in fabric. Available with or without arms. Chairs with metal frame can stack up to 6 high. Wood frame chairs cannot stack. Package contains 2 chairs.

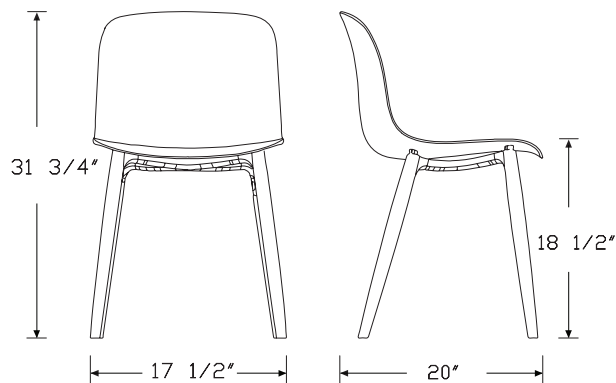
Dimensions



Steel frame with arms



Steel frame no arms



Wood frame

Troy Upholstered Chair *continued*

Specification Information

Step 1.

MGY01. A

Step 2. Frame Type

N metal frame no arms A

A metal frame with arms A

W wood frame no arms A

Prices for Steps 1-2.

MGY01.N	\$2109
A	\$2339
W	\$2209

Step 3. Frame Finish

For metal frame no arms (N) or metal frame with arms (A)

YNG black <input type="checkbox"/> A	+\$0
YNJ white <input type="checkbox"/> A	+\$0
YNK chrome <input type="checkbox"/> A	+\$0

For wood frame no arms (W)

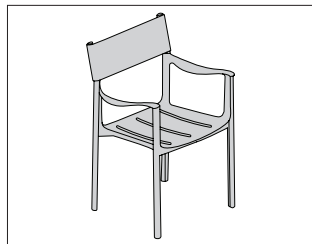
BW black wood <input type="checkbox"/> A	+\$0
NW natural wood <input type="checkbox"/> A	+\$0

Step 4. Fabric

Price Category G	+\$0
Price Category H	+\$0

Venice Chair

MGU00.



Product Information

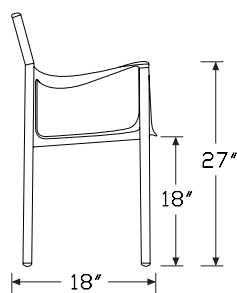
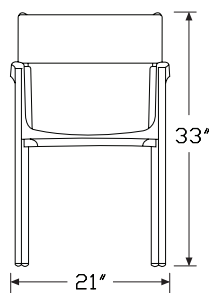
Description

This stacking chair with arms has a seat of die-cast aluminum, polished or painted in polyester powder. Legs are extruded aluminum, polished or painted in polyester powder. Back is thermoplastic rubber or leather. Chairs stack up to 6 high. Painted frame is suitable for outdoor use. Sold in sets of 2 only.

Notes

Polished (YCD) frame is NOT suitable for outdoor use.

Dimensions



Specification Information

Step 1.

MGU00. A \$1431

Step 2. Frame Finish

YNG black A +\$0

YCD polished A +\$1300

Step 3. Seat Finish

For black (YNG)

YBC black A +\$0

YMP grey A +\$0

YBH green A +\$0

YMN light blue A +\$0

YBG fuchsia A +\$0

YBM orange A +\$0

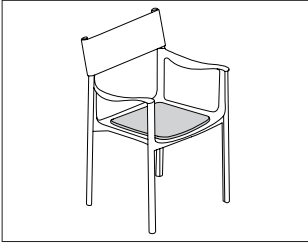
For polished (YCD)

YHC black leather A +\$0

YHK natural leather A +\$0

Venice Cushion

MGU90.



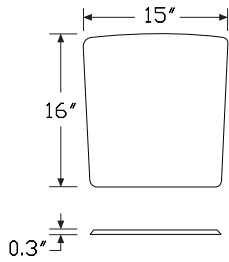
Herman Miller Collection—Side & Stacking Chairs

Product Information

Description

This seat cushion is expanded polyethylene covered in fabric.

Dimensions



Specification Information

Step 1.

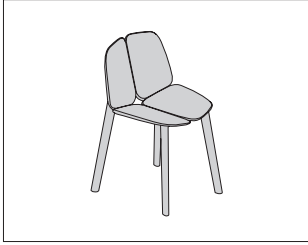
MGU90. A \$401

Step 2. Seat Finish

YBC	black A	+\$0
YB7	dark grey A	+\$0
YBF	dark green A	+\$0
YGF	blue A	+\$0
YLB	dark purple A	+\$0
YB8	brick red A	+\$0
YHC	black leather A	+\$50
YHK	natural leather A	+\$50

Osso Chair

MGJ00.



Product Information

Description

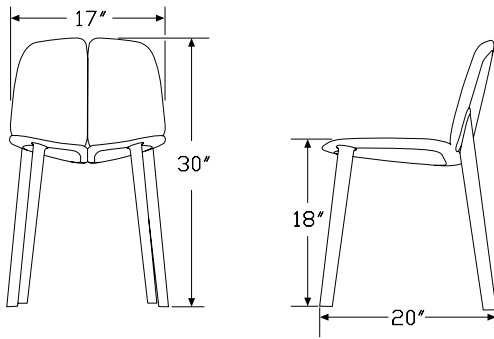
This solid wood side chair is available in an ash or oak frame.

Notes

Chairs are not stackable.

Upholstery not shown.

Dimensions



Specification Information

Step 1.

MGJ00. A

Step 2. Upholstery

N no upholstery A

U upholstered seat A

Prices for Steps 1-2.

MGJ00. N	\$1444
U	\$2200

Step 3. Frame Finish

YSB black wax ash <input type="checkbox"/> A	+\$0
YSC blue wax ash <input type="checkbox"/> A	+\$0
YSD green wax ash <input type="checkbox"/> A	+\$0
YSF dark grey wax ash <input type="checkbox"/> A	+\$0
YSG natural wax ash <input type="checkbox"/> A	+\$0
YSH pink wax ash <input type="checkbox"/> A	+\$0
YSJ white wax ash <input type="checkbox"/> A	+\$0
YSL natural wax oak <input type="checkbox"/> A	+\$187

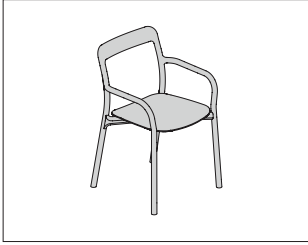
Step 4. Fabric

For upholstered seat (U)

YGR01 gravel 139 <input type="checkbox"/> A	+\$0
YGR02 gravel 149 <input type="checkbox"/> A	+\$0
YGR03 gravel 179 <input type="checkbox"/> A	+\$0

Branca Chair

MGR00.



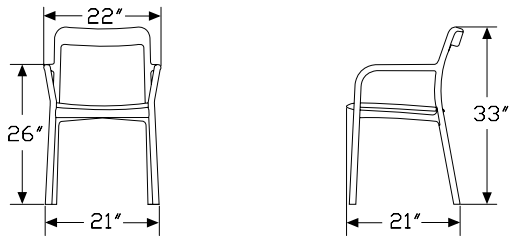
Herman Miller Collection—Side & Stacking Chairs

Product Information

Description

This solid wood chair with armrests is available with a solid ash frame. Chairs can stack up to 3 high.

Dimensions



Specification Information

Step 1.

MGR00. A

Step 2. Upholstery

N no upholstery A

U upholstered seat A

Prices for Steps 1-2.

MGR00.N	\$1595
U	\$2145

Step 3. Frame Finish

YRC	chocolate/natural seat ash <input type="checkbox"/> A	+\$0
YRD	green wax ash <input type="checkbox"/> A	+\$0
YRF	natural wax ash <input type="checkbox"/> A	+\$0
YRG	white anilin ash <input type="checkbox"/> A	+\$0
YRH	black mat anilin ash <input type="checkbox"/> A	+\$0

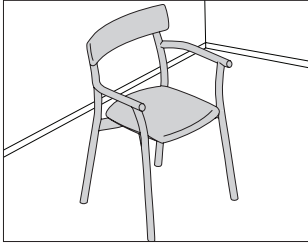
Step 4. Fabric

For upholstered seat (U)

YDF01	nord wool black/dark grey thread <input type="checkbox"/> A	+\$0
YDF02	nord wool grey/white thread <input type="checkbox"/> A	+\$0
YDF03	nord wool lime/dark grey thread <input type="checkbox"/> A	+\$0
YDF04	nord wool orange/white thread <input type="checkbox"/> A	+\$0
YNV01	novum cocos <input type="checkbox"/> A	+\$200
YNV02	novum rosewood <input type="checkbox"/> A	+\$200
YNV03	novum moss <input type="checkbox"/> A	+\$200
YNV04	novum lanoso <input type="checkbox"/> A	+\$200
YNV05	novum pepper <input type="checkbox"/> A	+\$200

Chiaro Chair

MGCH00

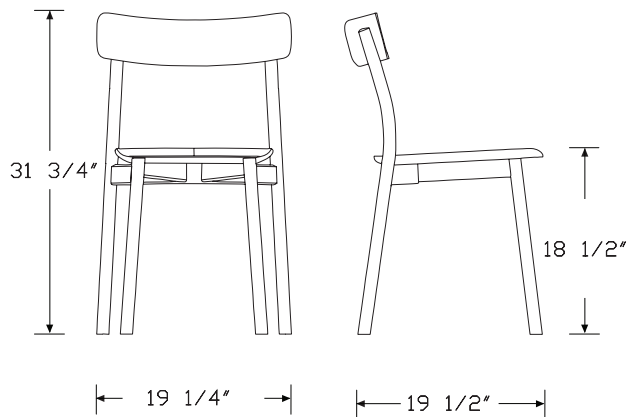
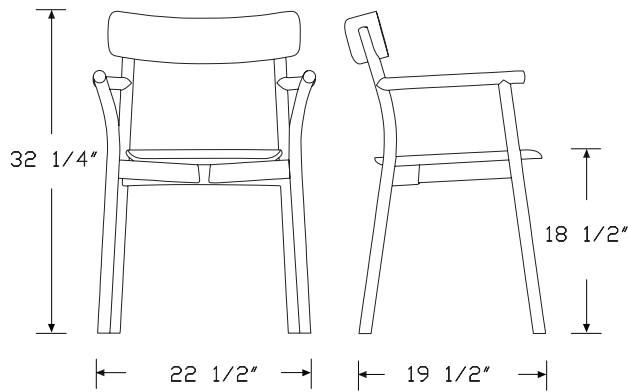


Product Information

Description

This chair has an ash or oak frame with or without arms. It comes in 7 finishes and stacks 3 high. A nonremovable upholstered seat pad is optional.

Dimensions



Specification Information

Step 1.

MGCH00. A

Step 2. Arms

N no arms A

A arms A

Step 3. Upholstery

N no upholstery A

U upholstered seat A

Prices for Steps 1-3.

	N	U
MGCH00. N	\$850	1350
A	\$1095	1595

Step 4. Frame

YSA ash A +\$0

YFC oak A +\$150

Step 5. Finish

For ash (YSA)

YBC black A +\$0

YBP white A +\$0

YDC blue A +\$0

YLW yellow A +\$0

YMP grey A +\$0

YNL natural A +\$0

YRK dark red A +\$0

For oak (YFC)

YNL natural A +\$0

Chiaro Chair *continued*

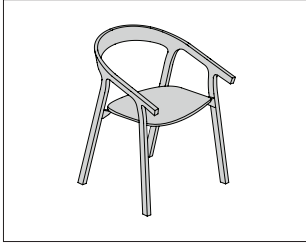
Step 6. Fabric

For upholstered seat (U)

YNV04	novum lanoso	A	+\$0
YNV06	novum sunset	A	+\$0
YNV07	novum curry	A	+\$0
YNV08	novum ebony	A	+\$0
YNV09	novum azur	A	+\$0
YNV10	novum coral	A	+\$0
YNV11	novum kies	A	+\$0
YNV13	novum magenta	A	+\$0
YNV14	novum prune	A	+\$0
YNV15	novum samoa	A	+\$0
YNV16	novum snow	A	+\$0
YNV17	novum amur	A	+\$0

He Said Chair

MGH00.

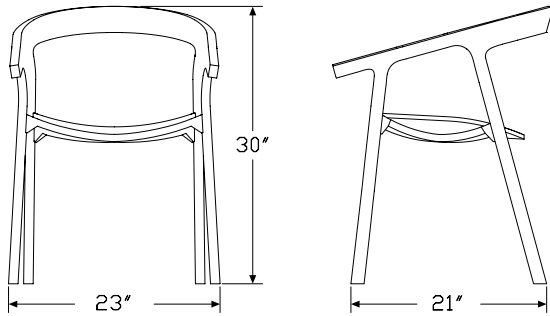


Product Information

Description

This solid wood chair with armrests is available in a solid ash frame. Chairs can stack up to 2 high.

Dimensions



Specification Information

Step 1.

MGH00.

Step 2. Upholstery

N no upholstery

U upholstered seat

Prices for Steps 1-2.

MGH00.N	\$1725
U	\$2474

Step 3. Frame Finish

YQB black anilin ash <input type="checkbox"/>	+\$0
YRG white anilin ash <input type="checkbox"/>	+\$0
ZQ5 anilin ash neon blue <input type="checkbox"/>	+\$0
YQC natural ash <input type="checkbox"/>	+\$53

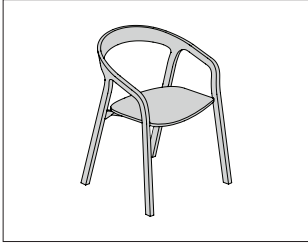
Step 4. Fabric

For upholstered seat (U)

YDG01 topia ebony <input type="checkbox"/>	+\$0
YDG02 topia anthrazit <input type="checkbox"/>	+\$0
YDG03 topia chrome <input type="checkbox"/>	+\$0
YDG04 topia moon <input type="checkbox"/>	+\$0
YDG05 topia snow <input type="checkbox"/>	+\$0
YDG06 topia orion <input type="checkbox"/>	+\$0
YDG07 topia azur <input type="checkbox"/>	+\$0
YDG08 topia seashell <input type="checkbox"/>	+\$0
YDG09 topia litchi <input type="checkbox"/>	+\$0
YDG10 topia heart <input type="checkbox"/>	+\$0

She Said Chair

MGH01.



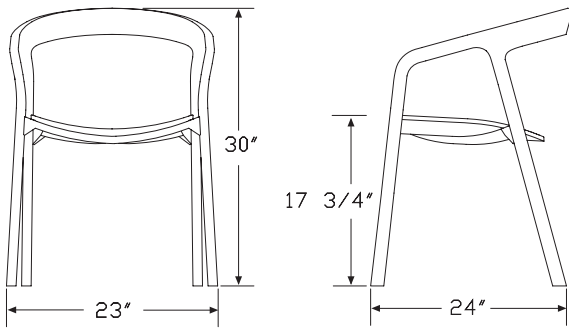
Herman Miller Collection—Side & Stacking Chairs

Product Information

Description

This solid wood chair with armrests is available in a solid ash frame. Chairs can stack up to 2 high.

Dimensions



Specification Information

Step 1.

MGH01.

Step 2. Upholstery

N no upholstery

U upholstered seat

Prices for Steps 1-2.

MGH01.N	\$1725
U	\$2474

Step 3. Frame Finish

YQB black anilin ash <input type="checkbox"/>	+\$0
YRG white anilin ash <input type="checkbox"/>	+\$0
ZQ5 anilin ash neon blue <input type="checkbox"/>	+\$0
YQC natural ash <input type="checkbox"/>	+\$53

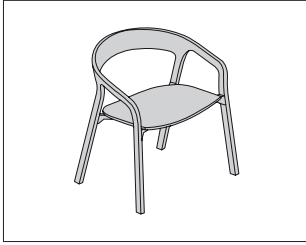
Step 4. Fabric

For upholstered seat (U)

YDG01 topia ebony <input type="checkbox"/>	+\$0
YDG02 topia anthrazit <input type="checkbox"/>	+\$0
YDG03 topia chrome <input type="checkbox"/>	+\$0
YDG04 topia moon <input type="checkbox"/>	+\$0
YDG05 topia snow <input type="checkbox"/>	+\$0
YDG06 topia orion <input type="checkbox"/>	+\$0
YDG07 topia azur <input type="checkbox"/>	+\$0
YDG08 topia seashell <input type="checkbox"/>	+\$0
YDG09 topia litchi <input type="checkbox"/>	+\$0
YDG10 topia heart <input type="checkbox"/>	+\$0

She Said Lowide Chair

MGH02.

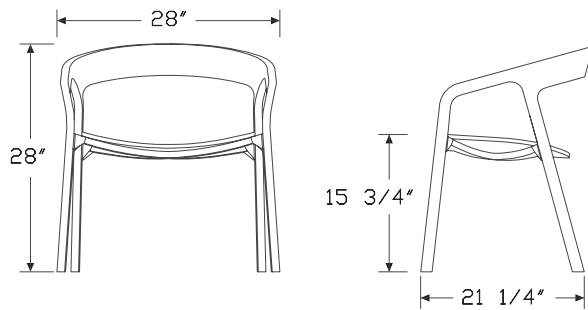


Product Information

Description

This solid wood chair with armrests is available in an ash frame. Chairs can stack up to 2 high.

Dimensions



Specification Information

Step 1.

MGH02.

Step 2. Upholstery

N no upholstery

U upholstered seat

Prices for Steps 1-2.

MGH02.N \$2195
U \$3049

Step 3. Frame Finish

YQB black anilin ash +\$0
YRG white anilin ash +\$0
ZQ5 anilin ash neon blue +\$0
YQC natural ash +\$60

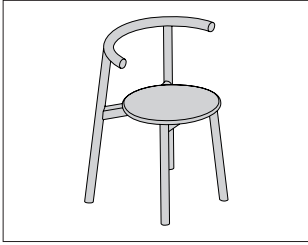
Step 4. Fabric

For upholstered seat (U)

YDG01 topia ebony +\$0
YDG02 topia anthrazit +\$0
YDG03 topia chrome +\$0
YDG04 topia moon +\$0
YDG05 topia snow +\$0
YDG06 topia orion +\$0
YDG07 topia azur +\$0
YDG08 topia seashell +\$0
YDG09 topia litchi +\$0
YDG10 topia heart +\$0

Solo Chair

MGZ00.



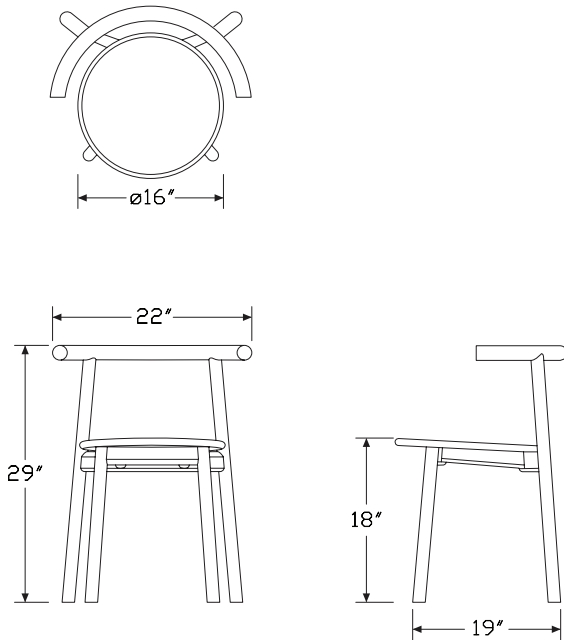
Herman Miller Collection—Side & Stacking Chairs

Product Information

Description

This solid wood chair is available in an ash or oak frame.

Dimensions



Specification Information

Step 1.

MGZ00.

Step 2. Upholstery

N no upholstery

S upholstered seat

Prices for Steps 1-2.

MGZ00.N	\$783
S	\$995

Step 3. Frame Finish

ZQ1	dark red anilin ash <input type="checkbox"/>	+\$0
ZQ2	natural ash <input type="checkbox"/>	+\$0
ZQ3	anilin ash blue/black <input type="checkbox"/>	+\$0
ZQ4	anilin ash white <input type="checkbox"/>	+\$0
ZQ5	anilin ash neon blue <input type="checkbox"/>	+\$0
ZQ6	anilin ash turquoise <input type="checkbox"/>	+\$0
ZQ7	natural oak waxed <input type="checkbox"/>	+\$150

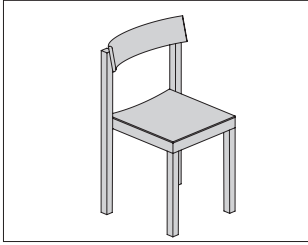
Step 4. Seat Fabric

For upholstered seat (S)

YDD13	white <input type="checkbox"/>	+\$0
YDD14	red <input type="checkbox"/>	+\$0
YDD16	dark grey <input type="checkbox"/>	+\$0
YDD17	black blue <input type="checkbox"/>	+\$0
YDD19	green <input type="checkbox"/>	+\$0

Primo Chair

MC14C.

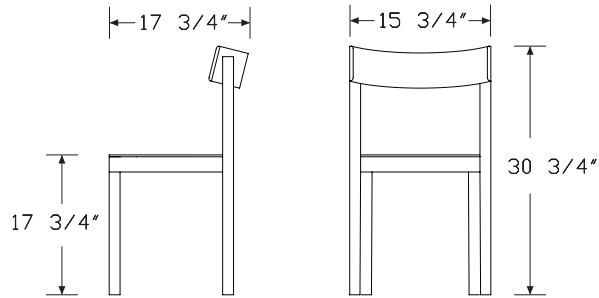


Product Information

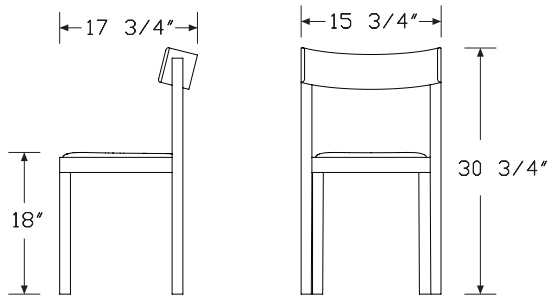
Description

This solid wood chair has a beech or oak frame. Oak has the option of an upholstered seat. Stacks up to 3 high.

Dimensions



Non-upholstered Seat



Upholstered Seat

Specification Information

Step 1.

MC14C.

Step 2. Upholstery

- N** no upholstery
- U** upholstered seat A

Prices for Steps 1-2.

MC14C.N	\$630
U	\$1100

Step 3. Frame Finish

For no upholstery (N)

YNC natural beech	+\$0
YRB black beech	+\$0
YGP gold beech <input type="checkbox"/> A	+\$310

For upholstered seat (U)

YFC natural oak	+\$200
------------------------	--------

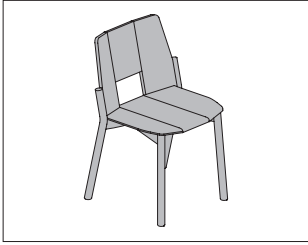
Step 4. Fabric

For upholstered seat (U)

SL508 sweet leather 508 <input type="checkbox"/> A	+\$0
SL510 sweet leather 510 <input type="checkbox"/> A	+\$0
SL512 sweet leather 512 <input type="checkbox"/> A	+\$0
SLN41 sweet leather N41 <input type="checkbox"/> A	+\$0
YLJ dani acquario cuoio leather <input type="checkbox"/> A	+\$180
YLK dani acquario marrone 6030 leather <input type="checkbox"/> A	+\$180
YLN dani acquario t. moro leather <input type="checkbox"/> A	+\$180
YLP dani acquario anthracite leather <input type="checkbox"/> A	+\$180

Tronco Stacking Chair

MGK01.



Herman Miller Collection—Side & Stacking Chairs

Product Information

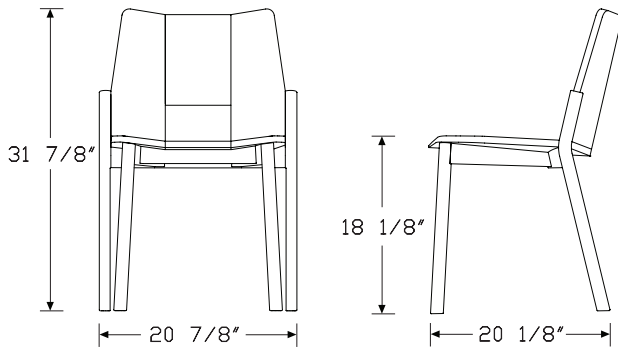
Description

This chair is available in Mattiazzi's standard ash as well as olive ash, in a variety of finishes. Chairs can stack up to 5 high or up to 10 high on the appropriate dolly.

Notes

Order Tronco dolly (MGK99.) separately.

Dimensions



Specification Information

Step 1.

MGK01. A \$899

Step 2. Frame

OLA olive ash A +\$0

YSA ash A +\$0

Step 3. Finish

For olive ash (OLA)

YNL natural A +\$0

For ash (YSA)

CNS chestnut stained A +\$0

WNS walnut stained A +\$0

YBC black +\$0

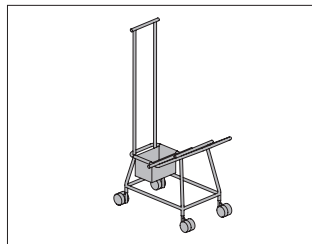
YBP white A +\$0

YNL natural A +\$0

YRL red A +\$0

Tronco Dolly

MGK99.

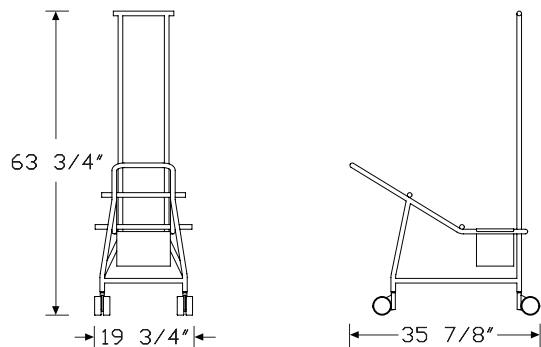


Product Information

Description

This dolly holds up to 10 Tronco chairs. Powder coated finish.

Dimensions



Specification Information

Step 1.

MGK99. A \$1850

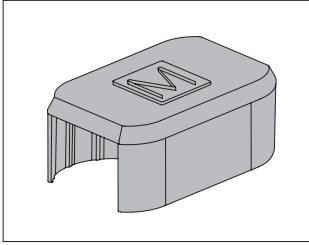
Step 2. Finish

YBC black A +\$0

YBP white A +\$0

Tronco Connector

MGK91.

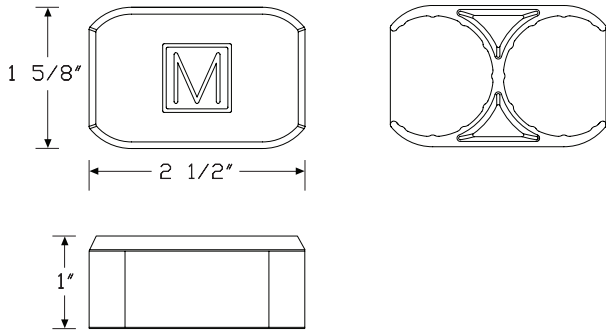


Herman Miller Collection—Side & Stacking Chairs

Product Information

Description
This plastic connector joins 2 Tronco chairs and comes in a matte finish.

Dimensions



Specification Information

Step 1.		
MGK91.	<input type="checkbox"/> A	\$49
Step 2. Finish		
YBC	black <input type="checkbox"/> A	+\$0
YRL	red <input type="checkbox"/> A	+\$0

Uncino Chair, Version A

MC9A.

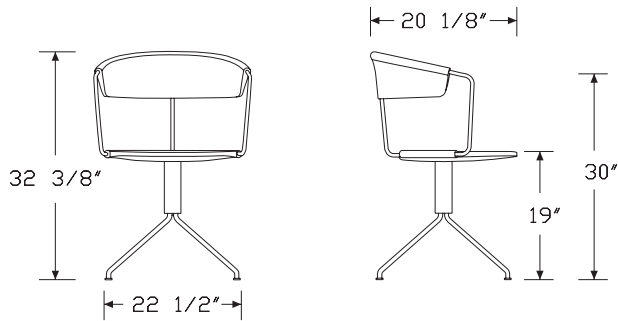


Product Information

Description

This wood chair is available with an ash back and seat.

Dimensions



Specification Information

Step 1.

MC9A. A \$2650

Step 2. Finish

YQB black anilin ash A +\$0

YQC natural ash A +\$0

Uncino Chair, Version B

MC9B.

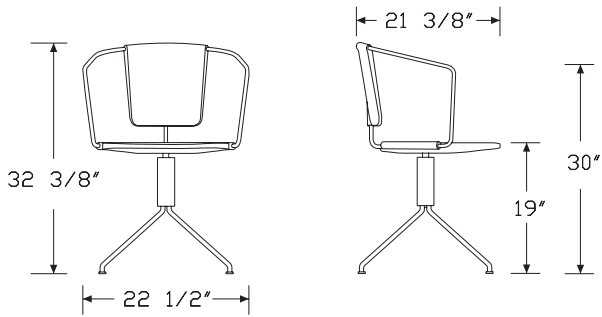


Herman Miller Collection—Side & Stacking Chairs

Product Information

Description
This wood chair is available with an ash or oak back and seat.

Dimensions



Specification Information

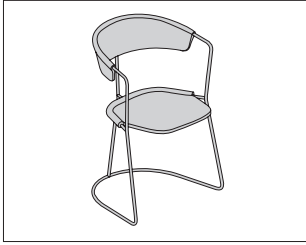
Step 1.
MC9B. [A] \$2340

Step 2. Finish

YQB black anilin ash [A] +\$0
YQC natural ash [A] +\$0
YFC natural oak [A] +\$200

Uncino Chair, Version C

MC9C.

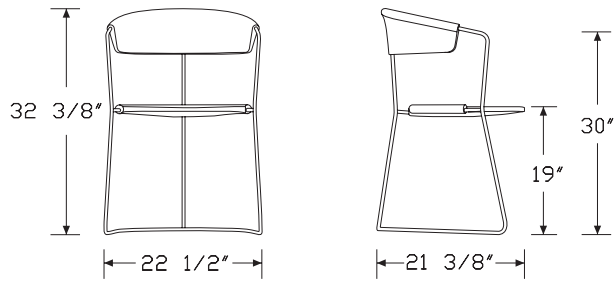


Product Information

Description

This wood chair is available with an ash back and seat.

Dimensions



Specification Information

Step 1.

MC9C. A \$2090

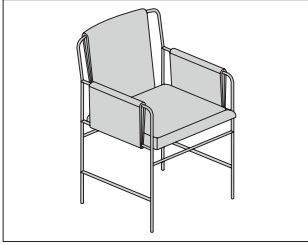
Step 2. Finish

YQB black anilin ash A +\$0

YQC natural ash A +\$0

Envelope® Chair

SBEV-



Herman Miller Collection—Side & Stacking Chairs

Product Information

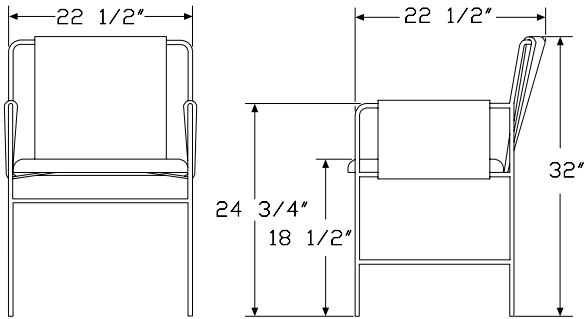
Description

This chair has a welded tubular steel frame. The seat is foam and Dacron® over plywood. The back consists of FR foam.

Notes

Customers Own Material (COM) requires 2½ yards. Customers Own Leather (COL) requires 40 square feet. See Order Information in Appendices.

Dimensions



Specification Information

Step 1.

SBEV-1020 A \$1400

Step 2. Upholstery

Price Category (Geiger) 1	+\$101
Price Category 1	+\$0
Price Category (Geiger) 2	+\$0
Price Category 2	+\$122
Price Category (Geiger) 3	+\$153
Price Category 3	+\$153
Price Category (Geiger) 4	+\$186
Price Category (Geiger) 5	+\$271
Price Category 5	+\$271
Price Category (Geiger) 6	+\$356
Price Category (Geiger) 7	+\$441
Price Category (Geiger) 8	+\$675
Price Category (Geiger) 9	+\$838
Price Category 9	+\$838
Price Category (Geiger) 10	+\$964
Price Category (Geiger) 11	+\$1080
Price Category (Geiger) A	+\$128
Price Category (Geiger) B	+\$140
Price Category (Geiger) C	+\$151
Price Category (Geiger) D	+\$175
Price Category (Geiger) E	+\$197
Price Category (Geiger) F	+\$221
Price Category (Geiger) G	+\$244
Price Category (Geiger) H	+\$267
Price Category (Geiger) I	+\$539
Price Category (Geiger) J	+\$302
Price Category (Geiger) K	+\$336
Price Category (Geiger) L	+\$371
Price Category (Geiger) M	+\$418
Price Category (Geiger) N	+\$464
Price Category (Geiger) O	+\$1095
Price Category (Geiger) P	+\$510
Price Category (Geiger) Q	+\$1030
Price Category (Geiger) R	+\$1906
Price Category (Geiger) S	+\$2048
Price Category (Geiger) T	+\$2189
Price Category (Geiger) U	+\$2331
Price Category (Geiger) V	+\$2472
Price Category (Geiger) COM A	+\$0
Price Category (Geiger) COL A	+\$180

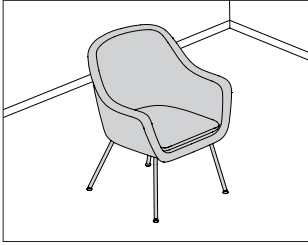
Envelope® Chair *continued*

Step 3. Base Finish		
CHR	chrome <input type="checkbox"/>	+\$0
SAC	satin chrome <input type="checkbox"/>	+\$0

Step 4. Fire Retardancy		
NOCAL	not fire retardant <input type="checkbox"/>	+\$0
133	fire retardant <input type="checkbox"/>	+\$163

Bumper Side Chair

SBRLN



HermanMiller Collection—Side & Stacking Chairs

Product Information

Description

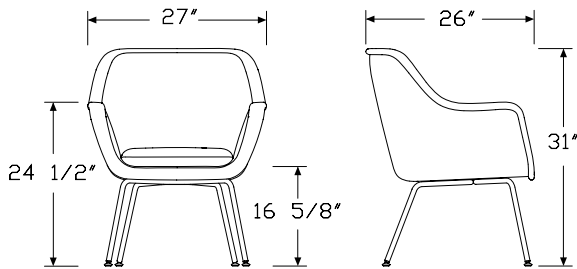
This side chair has upholstered inner and outer shells and arm cap, each made from one continuous piece of fabric or leather. It has an upholstered seat cushion. The frame is rigid molded urethane with foam inserts, and seat and back are FR foam over rigid inserts. The 4-leg base is plated steel, available in chrome.

Notes

Customers Own Material (COM) requires 2½ yards for the shell inside and outside, an additional 1¾ yards for the arm cap and cushion, or 4¼ yards when specify entire chair in the same fabric. See Order Information in Appendices.

Customers Own Leather (COL) requires 45 square feet for the shell inside and outside, an additional 31½ square feet for the arm cap and cushion, or 76½ yards when specify entire chair in the same leather. See Order Information in Appendices.

Dimensions



Specification Information

Step 1.

SBRLN A \$1850

Step 2. Shell Upholstery

Price Category 1	+\$0
Price Category (Geiger) 2	+\$0
Price Category 2	+\$122
Price Category (Geiger) 3	+\$153
Price Category 3	+\$153
Price Category (Geiger) 4	+\$186
Price Category 4	+\$186
Price Category (Geiger) 5	+\$271
Price Category 5	+\$271
Price Category (Geiger) 6	+\$356
Price Category (Geiger) 7	+\$441
Price Category (Geiger) 8	+\$675
Price Category (Geiger) 9	+\$838
Price Category 9	+\$838
Price Category (Geiger) 10	+\$964
Price Category (Geiger) 11	+\$1080
Price Category 11	+\$1080
Price Category (Geiger) 14	+\$0
Price Category (Geiger) C	+\$137
Price Category (Geiger) D	+\$181
Price Category (Geiger) E	+\$220
Price Category (Geiger) F	+\$263
Price Category (Geiger) G	+\$359
Price Category (Geiger) H	+\$446
Price Category (Geiger) I	+\$539
Price Category (Geiger) J	+\$632
Price Category (Geiger) K	+\$725
Price Category (Geiger) L	+\$817
Price Category (Geiger) M	+\$910
Price Category (Geiger) O	+\$1095
Price Category (Geiger) P	+\$1185
Price Category (Geiger) Q	+\$1368
Price Category (Geiger) R	+\$1906
Price Category (Geiger) S	+\$2048
Price Category (Geiger) X	+\$2756
Price Category (Geiger) Y	+\$2898
Price Category (Geiger) COL A	+\$135
Price Category (Geiger) COM A	+\$0

Bumper Side Chair *continued*

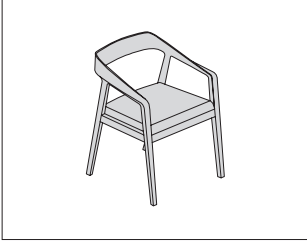
Step 3. Arm Cap and Cushion Upholstery	
Price Category 1	+\$0
Price Category (Geiger) 2	+\$0
Price Category 2	+\$85
Price Category (Geiger) 3	+\$107
Price Category 3	+\$0
Price Category (Geiger) 4	+\$130
Price Category 4	+\$130
Price Category (Geiger) 5	+\$190
Price Category 5	+\$190
Price Category (Geiger) 6	+\$250
Price Category (Geiger) 7	+\$308
Price Category (Geiger) 8	+\$473
Price Category (Geiger) 9	+\$587
Price Category 9	+\$587
Price Category (Geiger) 10	+\$675
Price Category (Geiger) 11	+\$755
Price Category 11	+\$755
Price Category (Geiger) 14	+\$0
Price Category (Geiger) C	+\$96
Price Category (Geiger) D	+\$127
Price Category (Geiger) E	+\$154
Price Category (Geiger) F	+\$185
Price Category (Geiger) G	+\$251
Price Category (Geiger) H	+\$313
Price Category (Geiger) I	+\$377
Price Category (Geiger) J	+\$442
Price Category (Geiger) K	+\$507
Price Category (Geiger) L	+\$572
Price Category (Geiger) M	+\$637
Price Category (Geiger) O	+\$767
Price Category (Geiger) P	+\$830
Price Category (Geiger) Q	+\$957
Price Category (Geiger) R	+\$1334
Price Category (Geiger) S	+\$1433
Price Category (Geiger) X	+\$1930
Price Category (Geiger) Y	+\$2029
Price Category (Geiger) COM <input type="checkbox"/>	+\$0
Price Category (Geiger) COL <input type="checkbox"/>	+\$306

Step 4. Base Finish	
SAC satin chrome <input type="checkbox"/>	+\$0

Step 5. Fire Retardancy	
NOCAL not fire retardant <input type="checkbox"/>	+\$0
133 fire retardant <input type="checkbox"/>	+\$276

Full Twist™ Guest Chair

SFT1A
SFT1M
SFT1N
SFT1W



Product Information

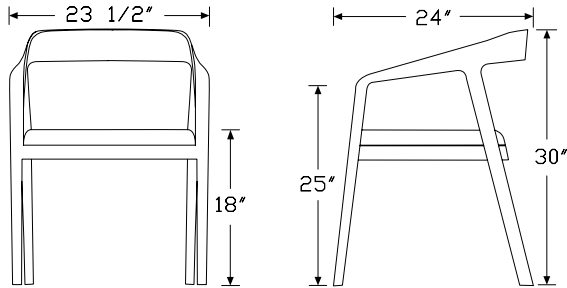
Description

This chair has an upholstered seat and a walnut or maple frame.

Notes

COM/COL requires ¾ yard/13½ square feet.

Dimensions



Specification Information

Step 1.

SFT1 A

Step 2. Frame Finish

M maple A

W walnut A

N sundance walnut with clear finish A

A ash A

Prices for Steps 1-2.

SFT1M	\$1650
SFT1W	\$2135
SFT1N	\$2330
SFT1A	\$1555

Step 3. Upholstery

Price Category (Geiger) 1	+\$30
Price Category 1	+\$0
Price Category (Geiger) 2	+\$0
Price Category 2	+\$37
Price Category (Geiger) 3	+\$46
Price Category 3	+\$46
Price Category (Geiger) 4	+\$56
Price Category 4	+\$56
Price Category (Geiger) 5	+\$82
Price Category 5	+\$82
Price Category (Geiger) 6	+\$108
Price Category (Geiger) 7	+\$132
Price Category (Geiger) 8	+\$203
Price Category (Geiger) 9	+\$252
Price Category 9	+\$252
Price Category (Geiger) 10	+\$290
Price Category (Geiger) 11	+\$324
Price Category (Geiger) 14	+\$425
Price Category (Geiger) A	+\$43
Price Category (Geiger) B	+\$47
Price Category (Geiger) C	+\$51
Price Category (Geiger) D	+\$58
Price Category (Geiger) E	+\$66
Price Category (Geiger) F	+\$74
Price Category (Geiger) G	+\$82
Price Category (Geiger) H	+\$89
Price Category (Geiger) I	+\$162
Price Category (Geiger) J	+\$101
Price Category (Geiger) K	+\$113
Price Category (Geiger) L	+\$124

Full Twist™ Guest Chair *continued*

Price Category (Geiger) M	+\$140
Price Category (Geiger) N	+\$155
Price Category (Geiger) O	+\$329
Price Category (Geiger) P	+\$170
Price Category (Geiger) Q	+\$464
Price Category (Geiger) R	+\$572
Price Category (Geiger) S	+\$614
Price Category (Geiger) T	+\$658
Price Category (Geiger) U	+\$700
Price Category (Geiger) V	+\$742
Price Category (Geiger) X	+\$828
Price Category (Geiger) Y	+\$870
Price Category COM (Geiger) <input type="checkbox"/>	+\$0
Price Category COL (Geiger) <input type="checkbox"/>	+\$54

Step 4. Wood Finish

For maple (M)

967 smoked paldao, low sheen <input type="checkbox"/>	+\$0
969 warm paldao, low sheen <input type="checkbox"/>	+\$0

For maple (M)

911 champagne maple (natural) <input type="checkbox"/>	+\$0
G2U light brown walnut, low sheen <input type="checkbox"/>	+\$0
G40 dark brown walnut, low sheen <input type="checkbox"/>	+\$0
940 sundance cherry on maple <input type="checkbox"/>	+\$0
943 caramel cherry <input type="checkbox"/>	+\$0
946 cocoa cherry <input type="checkbox"/>	+\$0
956 cocoa sapele <input type="checkbox"/>	+\$0
962 toasted walnut, low sheen <input type="checkbox"/>	+\$0
963 charred walnut, low sheen <input type="checkbox"/>	+\$0
964 bronzed walnut, low sheen <input type="checkbox"/>	+\$0
965 smoked walnut, low sheen <input type="checkbox"/>	+\$0
966 coffee walnut, low sheen <input type="checkbox"/>	+\$0
98R recograin rosewood <input type="checkbox"/>	+\$0
99R recograin rosewood <input type="checkbox"/>	+\$0
99T recograin teak <input type="checkbox"/>	+\$0
9A1 white ash, quarter cut, low sheen <input type="checkbox"/>	+\$0
9K1 rift oak, rift cut, low sheen <input type="checkbox"/>	+\$0
9K6 burnt oak, rift cut, low sheen <input type="checkbox"/>	+\$0
ED aged cherry <input type="checkbox"/>	+\$0

For maple (M)

662 toasted walnut, matte sheen <input type="checkbox"/>	+\$0
663 charred walnut, matte sheen <input type="checkbox"/>	+\$0
664 bronzed walnut, matte sheen <input type="checkbox"/>	+\$0
665 smoked walnut, matte sheen <input type="checkbox"/>	+\$0
666 coffee walnut, matte sheen <input type="checkbox"/>	+\$0
667 smoked paldao, quarter cut, matte sheen <input type="checkbox"/>	+\$0
669 warm paldao, quarter cut, matte sheen <input type="checkbox"/>	+\$0
68R recograin rosewood <input type="checkbox"/>	+\$0
69R recograin rosewood <input type="checkbox"/>	+\$0
69T recograin teak <input type="checkbox"/>	+\$0
6A1 white ash <input type="checkbox"/>	+\$0
6K1 rift oak <input type="checkbox"/>	+\$0
6K6 burnt oak <input type="checkbox"/>	+\$0
ET clear on ash <input type="checkbox"/>	+\$0
EU oak on ash <input type="checkbox"/>	+\$0
EV walnut on ash <input type="checkbox"/>	+\$0
GOU natural walnut, flat cut, matte sheen <input type="checkbox"/>	+\$0

For maple (M)

66G recograin wenge <input type="checkbox"/>	+\$0
69G recograin wenge <input type="checkbox"/>	+\$0

For maple (M)

96G wenge recograin, quarter cut, low sheen <input type="checkbox"/>	+\$0
99G recograin wenge, quarter cut, low sheen <input type="checkbox"/>	+\$0

For ash (A)

967 smoked paldao, low sheen <input type="checkbox"/>	+\$0
969 warm paldao, low sheen <input type="checkbox"/>	+\$0

Full Twist™ Guest Chair *continued*

<i>For ash (A)</i>		
940	sundance cherry on maple [A]	+\$0
943	caramel cherry [A]	+\$0
946	cocoa cherry [A]	+\$0
956	cocoa sapele [A]	+\$0
962	toasted walnut, low sheen [A]	+\$0
963	charred walnut, low sheen [A]	+\$0
964	bronzed walnut, low sheen [A]	+\$0
965	smoked walnut, low sheen [A]	+\$0
966	coffee walnut, low sheen [A]	+\$0
977	chocolate ash, low sheen [A]	+\$0
98R	recograin rosewood [A]	+\$0
991	champagne ash [A]	+\$0
998	ebony ash [A]	+\$0
99A	recograin frosty ash [A]	+\$0
99R	recograin rosewood [A]	+\$0
99T	recograin teak [A]	+\$0
9A1	white ash, quarter cut, low sheen [A]	+\$0
9K1	rift oak, rift cut, low sheen [A]	+\$0
9K6	burnt oak, rift cut, low sheen [A]	+\$0
ED	aged cherry [A]	+\$0
EK	medium red walnut [A]	+\$0
G2U	light brown walnut, low sheen [A]	+\$0
G40	dark brown walnut, low sheen [A]	+\$0
UX	walnut on cherry [A]	+\$0

<i>For ash (A)</i>		
662	toasted walnut, matte sheen [A]	+\$0
663	charred walnut, matte sheen [A]	+\$0
664	bronzed walnut, matte sheen [A]	+\$0
665	smoked walnut, matte sheen [A]	+\$0
666	coffee walnut, matte sheen [A]	+\$0
667	smoked paldao, quarter cut, matte sheen [A]	+\$0
669	warm paldao, quarter cut, matte sheen [A]	+\$0
66A	recograin frosty ash [A]	+\$0
677	chocolate ash, matte sheen [A]	+\$0
68R	recograin rosewood [A]	+\$0
69A	recograin frosty ash [A]	+\$0
69R	recograin rosewood [A]	+\$0
69T	recograin teak [A]	+\$0
6A1	white ash [A]	+\$0
6K1	rift oak [A]	+\$0
6K6	burnt oak [A]	+\$0
ET	clear on ash [A]	+\$0
EU	oak on ash [A]	+\$0
EV	walnut on ash [A]	+\$0
GOU	natural walnut, flat cut, matte sheen [A]	+\$0

<i>For ash (A)</i>		
66G	wenge recograin, quarter cut, matte sheen [A]	+\$0
68W	recograin walnut, flat cut, matte sheen [A]	+\$0
69G	recograin wenge [A]	+\$0
69W	recograin walnut, quarter cut, matte sheen [A]	+\$0

<i>For ash (A)</i>		
96G	wenge recograin, quarter cut, low sheen [A]	+\$0
98W	recograin walnut, flat cut, low sheen [A]	+\$0
99G	recograin wenge, quarter cut, low sheen [A]	+\$0
99W	recograin walnut, quarter cut, low sheen [A]	+\$0

<i>For walnut (W)</i>		
967	smoked paldao, low sheen [A]	+\$0
969	warm paldao, low sheen [A]	+\$0

<i>For walnut (W)</i>		
962	toasted walnut, low sheen [A]	+\$0
963	charred walnut, low sheen [A]	+\$0
964	bronzed walnut, low sheen [A]	+\$0
965	smoked walnut, low sheen [A]	+\$0
966	coffee walnut, low sheen [A]	+\$0
98R	recograin rosewood [A]	+\$0
99R	recograin rosewood [A]	+\$0
EK	medium red walnut [A]	+\$0
G2U	light brown walnut, low sheen [A]	+\$0
G40	dark brown walnut, low sheen [A]	+\$0

<i>For walnut (W)</i>		
662	toasted walnut, matte sheen [A]	+\$0
663	charred walnut, matte sheen [A]	+\$0
664	bronzed walnut, matte sheen [A]	+\$0
665	smoked walnut, matte sheen [A]	+\$0
666	coffee walnut, matte sheen [A]	+\$0
667	smoked paldao, quarter cut, matte sheen [A]	+\$0
669	warm paldao, quarter cut, matte sheen [A]	+\$0
68R	recograin rosewood [A]	+\$0
69R	recograin rosewood [A]	+\$0
GOU	natural walnut, flat cut, matte sheen [A]	+\$0

<i>For walnut (W)</i>		
66G	recograin wenge [A]	+\$0
69G	recograin wenge [A]	+\$0

<i>For walnut (W)</i>		
96G	wenge recograin, quarter cut, low sheen [A]	+\$0
99G	recograin wenge, quarter cut, low sheen [A]	+\$0

Full Twist™ Guest Chair *continued*

For sundance walnut with clear finish (N)

972 sundance walnut A +\$0

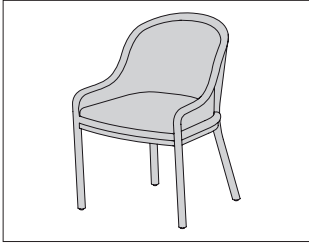
Step 5. Fire Retardancy

NOCAL not fire retardant A +\$0

133 fire retardant A +\$49

Landmark Low Arm Chair

SBLAC
SBLAF



HermanMiller Collection—Side & Stacking Chairs

Product Information

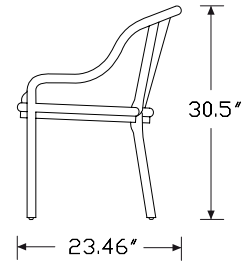
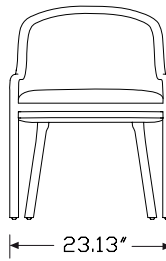
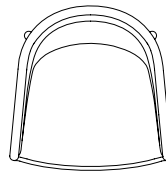
Description

This low arm chair has a wood frame carved from solid hardwood. It has a French upholstered seat and back, or a cane seat and back with cushion.

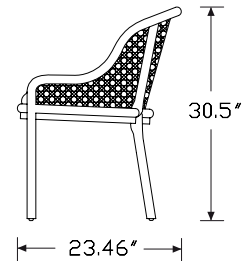
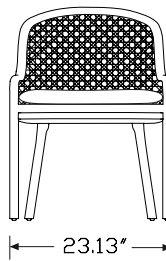
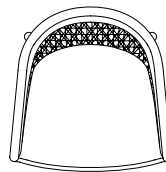
Notes

Customers Own Material (COM) requires 2½ yards for the French upholstered seat and back, closed arm (F) and 1 yard for the cane seat and back with cushion (C). Customers Own Leather (COL) requires 45 square feet for the French upholstered seat and back (F) and 20 square feet for the cane seat and back with cushion (C). See Order Information in Appendices.

Dimensions



French upholstered



Cane seat and back

Specification Information

Step 1.

SBLA

Step 2. Seat, Back and Arms

C cane seat and back with cushion

F french upholstered seat and back, closed arm

Prices for Steps 1-2.

SBLAC \$2725

SBLAF \$2725

Step 3. Wood Finish

Premium Veneer - Low Sheen

932	sundance anigre <input type="checkbox"/>	+\$0
933	caramel anigre <input type="checkbox"/>	+\$0
934	henna anigre <input type="checkbox"/>	+\$0
940	sundance cherry on maple <input type="checkbox"/>	+\$0
943	caramel cherry <input type="checkbox"/>	+\$0
946	cocoa cherry <input type="checkbox"/>	+\$0
956	cocoa sapele <input type="checkbox"/>	+\$0
962	toasted walnut, low sheen <input type="checkbox"/>	+\$0
963	charred walnut, low sheen <input type="checkbox"/>	+\$0
964	bronzed walnut, low sheen <input type="checkbox"/>	+\$0
965	smoked walnut, low sheen <input type="checkbox"/>	+\$0
966	coffee walnut, low sheen <input type="checkbox"/>	+\$0
967	smoked paldao, low sheen <input type="checkbox"/>	+\$0
969	warm paldao, low sheen <input type="checkbox"/>	+\$0
977	chocolate ash, low sheen <input type="checkbox"/>	+\$0
98R	recograin rosewood <input type="checkbox"/>	+\$0
991	champagne ash <input type="checkbox"/>	+\$0
998	ebony ash <input type="checkbox"/>	+\$0
99A	recograin frosty ash <input type="checkbox"/>	+\$0
99R	recograin rosewood <input type="checkbox"/>	+\$0
99T	recograin teak <input type="checkbox"/>	+\$0
9A1	white ash, quarter cut, low sheen <input type="checkbox"/>	+\$0
9K1	rift oak, rift cut, low sheen <input type="checkbox"/>	+\$0
9K6	burnt oak, rift cut, low sheen <input type="checkbox"/>	+\$0
ED	aged cherry <input type="checkbox"/>	+\$0
EK	medium red walnut <input type="checkbox"/>	+\$0
G2U	light brown walnut, low sheen <input type="checkbox"/>	+\$0
G40	dark brown walnut, low sheen <input type="checkbox"/>	+\$0
UX	walnut on cherry <input type="checkbox"/>	+\$0

Premium Veneer - Matte

662	toasted walnut, matte sheen <input type="checkbox"/>	+\$0
663	charred walnut, matte sheen <input type="checkbox"/>	+\$0
664	bronzed walnut, matte sheen <input type="checkbox"/>	+\$0
665	smoked walnut, matte sheen <input type="checkbox"/>	+\$0
666	coffee walnut, matte sheen <input type="checkbox"/>	+\$0
667	smoked paldao, quarter cut, matte sheen <input type="checkbox"/>	+\$0
669	warm paldao, quarter cut, matte sheen <input type="checkbox"/>	+\$0
66A	recograin frosty ash <input type="checkbox"/>	+\$0
677	chocolate ash, matte sheen <input type="checkbox"/>	+\$0
68R	recograin rosewood <input type="checkbox"/>	+\$0
69A	recograin frosty ash <input type="checkbox"/>	+\$0
69R	recograin rosewood <input type="checkbox"/>	+\$0
69T	recograin teak <input type="checkbox"/>	+\$0
6A1	white ash <input type="checkbox"/>	+\$0
6K1	rift oak <input type="checkbox"/>	+\$0
6K6	burnt oak <input type="checkbox"/>	+\$0
ET	clear on ash <input type="checkbox"/>	+\$0
EU	oak on ash <input type="checkbox"/>	+\$0
EV	walnut on ash <input type="checkbox"/>	+\$0
GOU	natural walnut, flat cut, matte sheen <input type="checkbox"/>	+\$0

RecoGrain Veneer

66G	recograin wenge <input type="checkbox"/>	+\$0
68W	recograin walnut, flat cut, matte sheen <input type="checkbox"/>	+\$0
69G	recograin wenge <input type="checkbox"/>	+\$0
69W	recograin walnut, quarter cut, matte sheen <input type="checkbox"/>	+\$0

Recon Veneer -

96G	wenge recograin, quarter cut, low sheen <input type="checkbox"/>	+\$0
98W	recograin walnut, flat cut, low sheen <input type="checkbox"/>	+\$0
99G	recograin wenge, quarter cut, low sheen <input type="checkbox"/>	+\$0
99W	recograin walnut, quarter cut, low sheen <input type="checkbox"/>	+\$0

Step 4. Upholstery

For cane seat and back with cushion (C)

Price Category 1	+\$0
Price Category (Geiger) 2	+\$49
Price Category 2	+\$49
Price Category (Geiger) 3	+\$61
Price Category 3	+\$61
Price Category (Geiger) 4	+\$75
Price Category 4	+\$75
Price Category (Geiger) 5	+\$109
Price Category 5	+\$109
Price Category (Geiger) 6	+\$143

Landmark Low Arm Chair *continued*

HermanMiller Collection—Side & Stacking Chairs

Price Category (Geiger) 7	+\$177
Price Category (Geiger) 8	+\$270
Price Category (Geiger) 9	+\$335
Price Category 9	+\$335
Price Category (Geiger) 10	+\$386
Price Category (Geiger) 11	+\$432
Price Category (Geiger) 14	+\$566
Price Category (Geiger) C	+\$55
Price Category (Geiger) D	+\$73
Price Category (Geiger) E	+\$88
Price Category (Geiger) F	+\$106
Price Category (Geiger) G	+\$144
Price Category (Geiger) H	+\$179
Price Category (Geiger) I	+\$216
Price Category (Geiger) J	+\$253
Price Category (Geiger) K	+\$290
Price Category (Geiger) L	+\$327
Price Category (Geiger) M	+\$364
Price Category (Geiger) N	+\$401
Price Category (Geiger) O	+\$438
Price Category (Geiger) P	+\$474
Price Category (Geiger) Q	+\$547
Price Category (Geiger) R	+\$763
Price Category (Geiger) S	+\$819
Price Category (Geiger) T	+\$876
Price Category (Geiger) U	+\$933
Price Category (Geiger) V	+\$989
Price Category (Geiger) X	+\$1103
Price Category (Geiger) Y	+\$1159
Price Category (Geiger) COM A	+\$0
Price Category (Geiger) COL A	+\$75

For french upholstered seat and back, closed arm (F)

Price Category C	+\$0
Price Category 1	+\$0
Price Category (Geiger) 2	+\$0
Price Category 2	+\$122
Price Category (Geiger) 3	+\$153
Price Category 3	+\$153
Price Category (Geiger) 4	+\$186
Price Category 4	+\$186
Price Category (Geiger) 5	+\$271
Price Category 5	+\$271
Price Category (Geiger) 6	+\$356
Price Category (Geiger) 7	+\$441
Price Category (Geiger) 8	+\$675
Price Category (Geiger) 9	+\$838

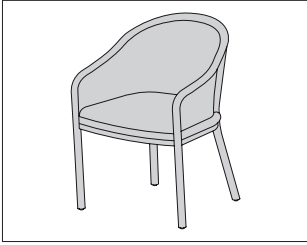
Price Category 9	+\$838
Price Category (Geiger) 10	+\$964
Price Category (Geiger) 11	+\$1080
Price Category (Geiger) 14	+\$1415
Price Category (Geiger) C	+\$137
Price Category (Geiger) D	+\$181
Price Category (Geiger) E	+\$220
Price Category (Geiger) F	+\$263
Price Category (Geiger) G	+\$359
Price Category (Geiger) H	+\$446
Price Category (Geiger) I	+\$539
Price Category (Geiger) J	+\$632
Price Category (Geiger) K	+\$725
Price Category (Geiger) L	+\$817
Price Category (Geiger) M	+\$910
Price Category (Geiger) N	+\$1003
Price Category (Geiger) O	+\$1095
Price Category (Geiger) P	+\$1185
Price Category (Geiger) Q	+\$1368
Price Category (Geiger) R	+\$1906
Price Category (Geiger) S	+\$2048
Price Category (Geiger) T	+\$2189
Price Category (Geiger) U	+\$2331
Price Category (Geiger) V	+\$2472
Price Category (Geiger) X	+\$2756
Price Category (Geiger) Y	+\$2898
Price Category (Geiger) COM A	+\$0
Price Category (Geiger) COL A	+\$186

Step 5. Fire Retardancy

	C	F
NOCAL no cal-133 required A	+\$0	0
133 cal-133 required A	+\$65	163

Landmark Chair

SBLLC
SBLLF



Product Information

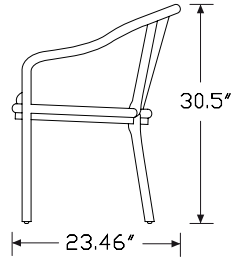
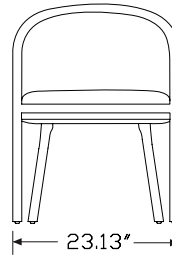
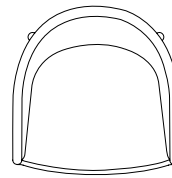
Description

This chair has a wood frame carved from solid hardwood. It has a French upholstered seat and back, or a cane seat and back with cushion.

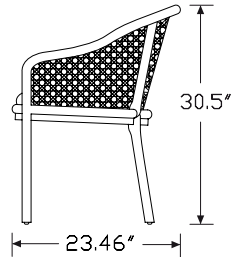
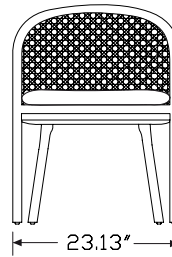
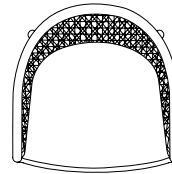
Notes

Customers Own Material (COM) requires 2½ yards for the French upholstered seat and back, closed arm (F) and 1 yard for the cane seat and back with cushion (C). Customers Own Leather (COL) requires 45 square feet for the French upholstered seat and back (F) and 20 square feet for the cane seat and back with cushion (C). See Order Information in Appendices.

Dimensions



French upholstered



Cane seat and back

Specification Information

Step 1.

SBLL A

Step 2. Seat, Back and Arms

C cane seat and back with cushion A

F french upholstered seat and back, closed arm A

Prices for Steps 1-2.

SBLLC \$2645

SBLLF \$2645

Step 3. Wood Finish

Premium Veneer - Low Sheen

932	sundance anigre A	+\$0
933	caramel anigre A	+\$0
934	henna anigre A	+\$0
940	sundance cherry on maple A	+\$0
943	caramel cherry A	+\$0
946	cocoa cherry A	+\$0
956	cocoa sapele A	+\$0
962	toasted walnut, low sheen A	+\$0
963	charred walnut, low sheen A	+\$0
964	bronzed walnut, low sheen A	+\$0
965	smoked walnut, low sheen A	+\$0
966	coffee walnut, low sheen A	+\$0
967	smoked paldao, low sheen A	+\$0
969	warm paldao, low sheen A	+\$0
977	chocolate ash, low sheen A	+\$0
98R	recograin rosewood A	+\$0
991	champagne ash A	+\$0
998	ebony ash A	+\$0
99A	recograin frosty ash A	+\$0
99R	recograin rosewood A	+\$0
99T	recograin teak A	+\$0
9A1	white ash, quarter cut, low sheen A	+\$0
9K1	rift oak, rift cut, low sheen A	+\$0
9K6	burnt oak, rift cut, low sheen A	+\$0
ED	aged cherry A	+\$0
EK	medium red walnut A	+\$0
G2U	light brown walnut, low sheen A	+\$0
G40	dark brown walnut, low sheen A	+\$0
UX	walnut on cherry A	+\$0

Premium Veneer - Matte

662	toasted walnut, matte sheen A	+\$0
663	charred walnut, matte sheen A	+\$0
664	bronzed walnut, matte sheen A	+\$0
665	smoked walnut, matte sheen A	+\$0
666	coffee walnut, matte sheen A	+\$0
667	smoked paldao, quarter cut, matte sheen A	+\$0
669	warm paldao, quarter cut, matte sheen A	+\$0
66A	recograin frosty ash A	+\$0
677	chocolate ash, flat cut, matte sheen A	+\$0
68R	recograin rosewood A	+\$0
69A	recograin frosty ash A	+\$0
69R	recograin rosewood A	+\$0
69T	recograin teak A	+\$0
6A1	white ash A	+\$0
6K1	rift oak A	+\$0
6K6	burnt oak A	+\$0
ET	clear on ash A	+\$0
EU	oak on ash A	+\$0
EV	walnut on ash A	+\$0
GOU	natural walnut, flat cut, matte sheen A	+\$0

RecoGrain Veneer

66G	recograin wenge A	+\$0
68W	recograin walnut, flat cut, matte sheen A	+\$0
69G	recograin wenge A	+\$0
69W	recograin walnut, quarter cut, matte sheen A	+\$0

Recon Veneer -

96G	wenge recograin, quarter cut, low sheen A	+\$0
98W	recograin walnut, flat cut, low sheen A	+\$0
99G	recograin wenge, quarter cut, low sheen A	+\$0
99W	recograin walnut, quarter cut, low sheen A	+\$0

Step 4. Upholstery

For cane seat and back with cushion (C)

Price Category 1	+\$0
Price Category (Geiger) 2	+\$49
Price Category 2	+\$49
Price Category (Geiger) 3	+\$61
Price Category 3	+\$61
Price Category (Geiger) 4	+\$75
Price Category 4	+\$75
Price Category (Geiger) 5	+\$109
Price Category 5	+\$109
Price Category (Geiger) 6	+\$143

Price Category (Geiger) 7	+\$177
Price Category (Geiger) 8	+\$270
Price Category (Geiger) 9	+\$335
Price Category 9	+\$335
Price Category (Geiger) 10	+\$386
Price Category (Geiger) 11	+\$432
Price Category (Geiger) 14	+\$566
Price Category (Geiger) C	+\$45
Price Category (Geiger) D	+\$73
Price Category (Geiger) E	+\$88
Price Category (Geiger) F	+\$106
Price Category (Geiger) G	+\$144
Price Category (Geiger) H	+\$179
Price Category (Geiger) I	+\$216
Price Category (Geiger) J	+\$253
Price Category (Geiger) K	+\$290
Price Category (Geiger) L	+\$327
Price Category (Geiger) M	+\$364
Price Category (Geiger) N	+\$401
Price Category (Geiger) O	+\$438
Price Category (Geiger) P	+\$474
Price Category (Geiger) Q	+\$547
Price Category (Geiger) R	+\$763
Price Category (Geiger) S	+\$819
Price Category (Geiger) T	+\$876
Price Category (Geiger) U	+\$933
Price Category (Geiger) V	+\$989
Price Category (Geiger) X	+\$1103
Price Category (Geiger) Y	+\$1159
Price Category (Geiger) COM <input type="checkbox"/> A	+\$0
Price Category (Geiger) COL <input type="checkbox"/> A	+\$75

For french upholstered seat and back, closed arm (F)

Price Category C	+\$0
Price Category 1	+\$0
Price Category (Geiger) 2	+\$0
Price Category 2	+\$122
Price Category (Geiger) 3	+\$153
Price Category 3	+\$153
Price Category (Geiger) 4	+\$186
Price Category 4	+\$186
Price Category (Geiger) 5	+\$271
Price Category 5	+\$271
Price Category (Geiger) 6	+\$356
Price Category (Geiger) 7	+\$441
Price Category (Geiger) 8	+\$675
Price Category (Geiger) 9	+\$838

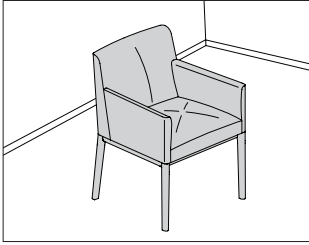
Price Category 9	+\$838
Price Category (Geiger) 10	+\$964
Price Category (Geiger) 11	+\$1080
Price Category (Geiger) 14	+\$1415
Price Category (Geiger) C	+\$111
Price Category (Geiger) D	+\$181
Price Category (Geiger) E	+\$220
Price Category (Geiger) F	+\$263
Price Category (Geiger) G	+\$359
Price Category (Geiger) H	+\$446
Price Category (Geiger) I	+\$539
Price Category (Geiger) J	+\$632
Price Category (Geiger) K	+\$725
Price Category (Geiger) L	+\$817
Price Category (Geiger) M	+\$910
Price Category (Geiger) N	+\$1003
Price Category (Geiger) O	+\$1095
Price Category (Geiger) P	+\$1185
Price Category (Geiger) Q	+\$1368
Price Category (Geiger) R	+\$1906
Price Category (Geiger) S	+\$2048
Price Category (Geiger) T	+\$2189
Price Category (Geiger) U	+\$2331
Price Category (Geiger) V	+\$2472
Price Category (Geiger) X	+\$2756
Price Category (Geiger) Y	+\$2898
Price Category (Geiger) COM <input type="checkbox"/> A	+\$0
Price Category (Geiger) COL <input type="checkbox"/> A	+\$186

Step 5. Fire Retardancy

	C	F
NOCAL no cal-133 required <input type="checkbox"/> A	+\$0	0
133 cal-133 required <input type="checkbox"/> A	+\$65	163

Nessel Chair

SNS1A
 SNS1W
 SNS2A
 SNS2W



Herman Miller Collection—Side & Stacking Chairs

Product Information

Description

This side chair has a solid wood frame with cushions made of polyfoam and DACRON®. It is available with or without arms. Fire retardant chair meets CAL 133 requirements.

Notes

Customer's Own Material (COM)/Customer's Own Leather (COL) requires the following:

Type—COM—COL

SNS2W (seat border and outside back)—1 yard—18 square feet

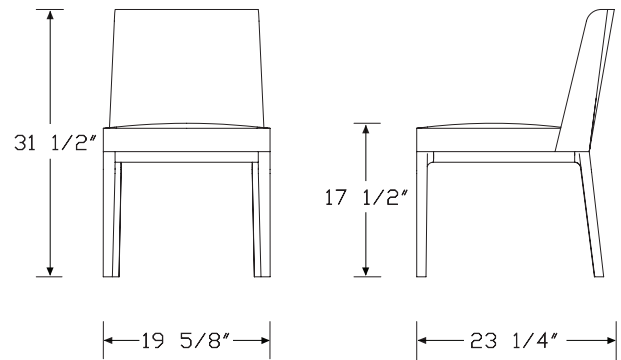
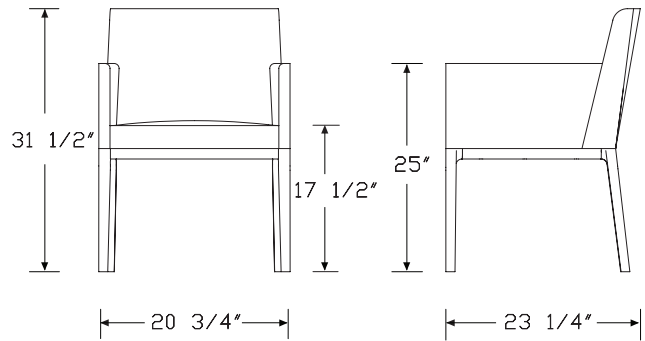
SNS2W (seat cushion top and inside chair back)—1 yard—18 square feet

SNS1W (seat border and outside back)—¾ yard—13½ square feet

SNS1W (seat cushion top and inside chair back)—¾ yard—13½ square feet

See Order Information in Appendices for more information.

Dimensions



Specification Information

Step 1.

SNS A

Step 2. Frame Finish

1A armless - ash A

1W armless - walnut A

2A arm - ash A

2W arm - walnut A

Prices for Steps 1-2.

SNS1A	\$1355
SNS1W	\$1470
SNS2A	\$1730
SNS2W	\$1845

Step 3. Wood Finish

For armless - ash (1A) or arm - ash (2A)

66G recognain wenge A	+ \$0
68W recognain walnut, flat cut, matte sheen A	+ \$0
69G recognain wenge A	+ \$0
69W recognain walnut, quarter cut, matte sheen A	+ \$0

For armless - ash (1A) or arm - ash (2A)

98W recognain walnut, flat cut, low sheen A	+ \$0
99G recognain wenge, quarter cut, low sheen A	+ \$0
99W recognain walnut, quarter cut, low sheen A	+ \$0

Low Sheen Finishes (on Ash)

For armless - ash (1A) or arm - ash (2A)

967 smoked paldao, low sheen A	+ \$0
969 warm paldao, low sheen A	+ \$0

Low Sheen Finishes (on Ash)

For armless - ash (1A) or arm - ash (2A)

940 sundance cherry on maple A	+ \$0
962 toasted walnut, low sheen A	+ \$0
963 charred walnut, low sheen A	+ \$0
964 bronzed walnut, low sheen A	+ \$0
965 smoked walnut, low sheen A	+ \$0
966 coffee walnut, low sheen A	+ \$0
977 chocolate ash, low sheen A	+ \$0
98R recognain rosewood A	+ \$0
99A recognain frosty ash A	+ \$0
99R recognain rosewood A	+ \$0
99T recognain teak A	+ \$0
9A1 white ash, quarter cut, low sheen A	+ \$0
9K1 rift oak, rift cut, low sheen A	+ \$0
9K6 burnt oak, rift cut, low sheen A	+ \$0
EK medium red walnut A	+ \$0
G2U light brown walnut, low sheen A	+ \$0
G40 dark brown walnut, low sheen A	+ \$0
UX walnut on cherry, flat cut, low sheen A	+ \$0
943 caramel cherry A	+ \$0
946 cocoa cherry A	+ \$0
956 cocoa sapele A	+ \$0
991 champagne ash A	+ \$0
998 ebony ash A	+ \$0
ED aged cherry A	+ \$0

Matte Sheen Finishes (on Ash)

For armless - ash (1A) or arm - ash (2A)

667 smoked paldao, quarter cut, matte sheen A	+ \$0
669 warm paldao, quarter cut, matte sheen A	+ \$0
66A frosty ash recognain, quarter cut, matte sheen A	+ \$0
677 chocolate ash, matte sheen A	+ \$0
68R recognain rosewood A	+ \$0
69A recognain frosty ash A	+ \$0
69R recognain rosewood A	+ \$0
69T recognain teak A	+ \$0
6K1 rift oak A	+ \$0
ET clear on ash A	+ \$0
EU oak on ash A	+ \$0
EV walnut on ash A	+ \$0
GOU natural walnut, flat cut, matte sheen A	+ \$0
6A1 white ash A	+ \$0
6K6 burnt oak A	+ \$0

Nessel Chair *continued*

For armless - walnut (1W) or arm - walnut (2W)

967	smoked paldao, low sheen A	+\$0
969	warm paldao, low sheen A	+\$0

For armless - walnut (1W) or arm - walnut (2W)

662	toasted walnut, matte sheen A	+\$0
663	charred walnut, matte sheen A	+\$0
664	bronzed walnut, matte sheen A	+\$0
665	smoked walnut, matte sheen A	+\$0
666	coffee walnut, matte sheen A	+\$0
68R	recograin rosewood A	+\$0
69R	recograin rosewood A	+\$0
GOU	natural walnut, flat cut, matte sheen A	+\$0

For armless - walnut (1W) or arm - walnut (2W)

96G	wenge recograin, quarter cut, low sheen A	+\$0
99G	recograin wenge, quarter cut, low sheen A	+\$0

For armless - walnut (1W) or arm - walnut (2W)

66G	recograin wenge A	+\$0
69G	recograin wenge A	+\$0

Low Sheen Finishes (on Walnut)

For armless - walnut (1W) or arm - walnut (2W)

962	toasted walnut, low sheen A	+\$0
963	charred walnut, low sheen A	+\$0
964	bronzed walnut, low sheen A	+\$0
965	smoked walnut, low sheen A	+\$0
966	coffee walnut, low sheen A	+\$0
972	sundance walnut A	+\$0
98R	recograin rosewood A	+\$0
99R	recograin rosewood A	+\$0
G2U	light brown walnut, low sheen A	+\$0
G40	dark brown walnut, low sheen A	+\$0
EK	medium red walnut A	+\$0

Step 4. Seat Border/Outside Back

	1A	1W	2A	2W
Price Category (Geiger) COL A	+\$0	0	0	0
Price Category (Geiger) COM A	+\$0	0	0	0
Price Category 1	+\$0	0	0	0
Price Category (Geiger) 2	+\$0	0	0	0
Price Category 2	+\$37	37	49	49
Price Category (Geiger) 3	+\$46	46	61	61
Price Category 3	+\$46	46	61	61
Price Category (Geiger) 4	+\$56	56	75	75
Price Category (Geiger) 5	+\$82	82	109	109
Price Category 5	+\$82	82	109	109
Price Category (Geiger) 6	+\$108	108	143	143
Price Category (Geiger) 7	+\$132	132	177	177
Price Category 7	+\$132	132	132	132
Price Category (Geiger) 8	+\$203	203	270	270
Price Category 9	+\$252	252	335	335
Price Category (Geiger) 10	+\$290	290	386	386
Price Category (Geiger) 11	+\$324	324	432	432
Price Category 11	+\$324	324	432	432
Price Category (Geiger) C	+\$42	42	55	55
Price Category (Geiger) D	+\$55	55	73	73
Price Category (Geiger) G	+\$108	108	144	144
Price Category (Geiger) H	+\$134	134	179	179
Price Category (Geiger) I	+\$162	162	216	216
Price Category (Geiger) K	+\$218	218	290	290
Price Category (Geiger) L	+\$246	246	327	327
Price Category (Geiger) M	+\$273	273	364	364

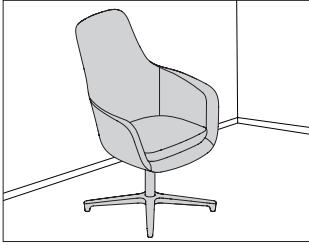
Nessel Chair *continued*

Step 5. Seat Cushion Top/Inside Back				
	1A	1W	2A	2W
Price Category 1	+\$0	0	0	0
Price Category (Geiger) 2	+\$0	0	0	0
Price Category 2	+\$37	37	49	49
Price Category (Geiger) 3	+\$46	46	61	61
Price Category 3	+\$46	46	61	61
Price Category (Geiger) 4	+\$56	56	75	75
Price Category (Geiger) 5	+\$82	82	109	109
Price Category 5	+\$82	82	109	109
Price Category (Geiger) 6	+\$108	108	143	143
Price Category (Geiger) 7	+\$132	132	177	177
Price Category 7	+\$132	132	177	177
Price Category (Geiger) 8	+\$203	203	270	270
Price Category 9	+\$252	252	335	335
Price Category (Geiger) 10	+\$290	290	386	386
Price Category (Geiger) 11	+\$324	324	432	432
Price Category 11	+\$324	324	432	432
Price Category (Geiger) C	+\$0	0	0	0
Price Category (Geiger) D	+\$55	55	73	73
Price Category (Geiger) G	+\$108	108	144	144
Price Category (Geiger) H	+\$134	134	179	179
Price Category (Geiger) I	+\$162	162	216	216
Price Category (Geiger) K	+\$218	218	290	290
Price Category (Geiger) L	+\$246	246	327	327
Price Category (Geiger) M	+\$273	273	364	364
Price Category (Geiger) COL A	+\$0	0	0	0
Price Category (Geiger) COM A	+\$0	0	0	0

Step 6. Fire Retardancy				
	1A	1W	2A	2W
NOCAL no cal-133 required A	+\$0	0	0	0
133 cal-133 required A	+\$49	49	65	65

Saiba Conference Chair

SBN1H
SBN1M



Herman Miller Collection—Side & Stacking Chairs

Product Information

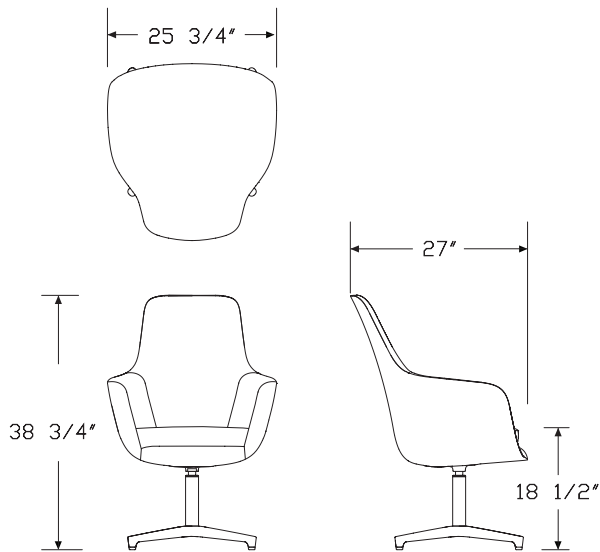
Description

This swivel chair has a high back or mid back and a 4-star self-return base with glides. Seat frame is rigid urethane with polyurethane foam. Cushion is high density FR foam.

Notes

Customer's Own Material (COM) requires 3 yards for high back (H) or 2¾ yards for mid back (M). Customer's Own Leather (COL) requires 54 square feet for high back (H) or 49½ square feet for mid back (M). See Order Information in appendices.

Dimensions



Specification Information

Step 1.

SBN1 A

Step 2. Back Height

M mid back A

H high back A

Prices for Steps 1-2.

SBN1M	\$1785
SBN1H	\$1885

Step 3. Upholstery

	M	H
Price Category (Geiger) COL <input type="checkbox"/> A	+\$0	0
Price Category (Geiger) COM <input type="checkbox"/> A	+\$0	0
Price Category 1	+\$0	0
Price Category (Geiger) 2	+\$133	183
Price Category 2	+\$133	183
Price Category (Geiger) 3	+\$167	183
Price Category 3	+\$167	183
Price Category (Geiger) 4	+\$204	223
Price Category (Geiger) 5	+\$298	325
Price Category 5	+\$298	325
Price Category (Geiger) 7	+\$485	529
Price Category 9	+\$921	1005
Price Category (Geiger) 10	+\$1060	1156
Price Category (Geiger) 11	+\$1187	1295
Price Category 11	+\$1187	1295
Price Category (Geiger) H	+\$491	535

Step 4. Base Finish

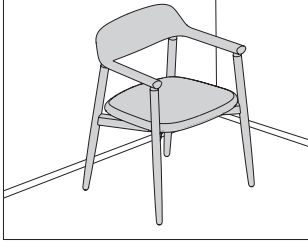
BK black <input type="checkbox"/> A	+\$0
CD polished aluminum <input type="checkbox"/> A	+\$0

Step 5. Fire Retardancy

	M	H
NOCAL no cal-133 required <input type="checkbox"/> A	+\$0	0
133 cal-133 required <input type="checkbox"/> A	+\$179	195

Crosshatch Side Chair

SES2A
SES2W



Product Information

Description

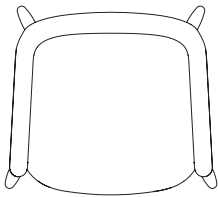
This side chair has a solid wood frame with an upholstered seat. Frame comes in ash or walnut.

Notes

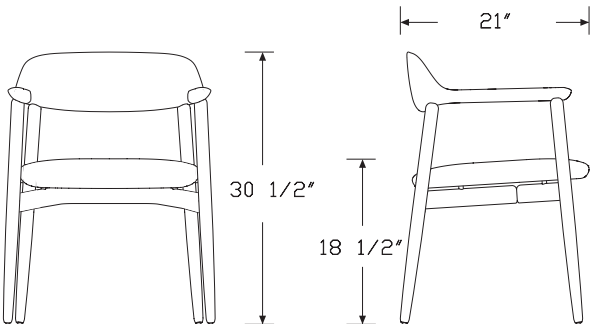
Fire retardant chair meets CAL 133 requirements.

Customer's Own Material (COM) requires $\frac{3}{4}$ yards. Customer's Own Leather (COL) requires $13\frac{1}{2}$ square feet. See Order Information in appendices.

Dimensions



← 23 3/4" →



Specification Information

Step 1.

SES2 A

Step 2. Frame Finish

A ash A

W walnut A

Prices for Steps 1-2.

SES2A	\$1485
SES2W	\$2035

Step 3. Wood Finish

RecoGrain Veneer

For ash (A)

66G	recoGrain wenge <input type="checkbox"/> A	+\$0
68W	recoGrain walnut, flat cut, matte sheen <input type="checkbox"/> A	+\$0
69G	recoGrain wenge <input type="checkbox"/> A	+\$0
69W	recoGrain walnut, quarter cut, matte sheen <input type="checkbox"/> A	+\$0

Recon Veneer -

For ash (A)

98W	recoGrain walnut, flat cut, low sheen <input type="checkbox"/> A	+\$0
99G	recoGrain wenge, quarter cut, low sheen <input type="checkbox"/> A	+\$0
99W	recoGrain walnut, quarter cut, low sheen <input type="checkbox"/> A	+\$0

Low Sheen Finishes (on Ash)

For ash (A)

967	smoked paldao, low sheen <input type="checkbox"/> A	+\$0
969	warm paldao, low sheen <input type="checkbox"/> A	+\$0

Crosshatch Side Chair *continued*

Low Sheen Finishes (on Ash)

For ash (A)

940	sundance cherry on maple <input type="checkbox"/>	+\$0
962	toasted walnut, low sheen <input type="checkbox"/>	+\$0
963	charred walnut, low sheen <input type="checkbox"/>	+\$0
964	bronzed walnut, low sheen <input type="checkbox"/>	+\$0
965	smoked walnut, low sheen <input type="checkbox"/>	+\$0
966	coffee walnut, low sheen <input type="checkbox"/>	+\$0
977	chocolate ash, low sheen <input type="checkbox"/>	+\$0
98R	recograin rosewood <input type="checkbox"/>	+\$0
99A	recograin frosty ash <input type="checkbox"/>	+\$0
99R	recograin rosewood <input type="checkbox"/>	+\$0
99T	recograin teak <input type="checkbox"/>	+\$0
9A1	white ash, quarter cut, low sheen <input type="checkbox"/>	+\$0
9K1	rift oak, rift cut, low sheen <input type="checkbox"/>	+\$0
9K6	burnt oak, rift cut, low sheen <input type="checkbox"/>	+\$0
EK	medium red walnut <input type="checkbox"/>	+\$0
G2U	light brown walnut, low sheen <input type="checkbox"/>	+\$0
G40	dark brown walnut, low sheen <input type="checkbox"/>	+\$0
UX	walnut on cherry <input type="checkbox"/>	+\$0
943	caramel cherry <input type="checkbox"/>	+\$0
946	cocoa cherry <input type="checkbox"/>	+\$0
956	cocoa sapele <input type="checkbox"/>	+\$0
991	champagne ash <input type="checkbox"/>	+\$0
998	ebony ash <input type="checkbox"/>	+\$0
ED	aged cherry <input type="checkbox"/>	+\$0

Matte Sheen Finishes (on Ash)

For ash (A)

66A	recograin frosty ash <input type="checkbox"/>	+\$0
677	chocolate ash, matte sheen <input type="checkbox"/>	+\$0
68R	recograin rosewood <input type="checkbox"/>	+\$0
69A	recograin frosty ash <input type="checkbox"/>	+\$0
69R	recograin rosewood <input type="checkbox"/>	+\$0
69T	recograin teak <input type="checkbox"/>	+\$0
6K1	rift oak <input type="checkbox"/>	+\$0
ET	clear on ash <input type="checkbox"/>	+\$0
EU	oak on ash <input type="checkbox"/>	+\$0
EV	walnut on ash <input type="checkbox"/>	+\$0
GOU	natural walnut, flat cut, matte sheen <input type="checkbox"/>	+\$0
6A1	white ash <input type="checkbox"/>	+\$0
6K6	burnt oak <input type="checkbox"/>	+\$0

Anigre Veneer - Low Sheen

For walnut (W)

967	smoked paldao, low sheen <input type="checkbox"/>	+\$0
969	warm paldao, low sheen <input type="checkbox"/>	+\$0

Premium Veneer - Matte

For walnut (W)

662	toasted walnut, matte sheen <input type="checkbox"/>	+\$0
663	charred walnut, matte sheen <input type="checkbox"/>	+\$0
664	bronzed walnut, matte sheen <input type="checkbox"/>	+\$0
665	smoked walnut, matte sheen <input type="checkbox"/>	+\$0
666	coffee walnut, matte sheen <input type="checkbox"/>	+\$0
667	smoked paldao, quarter cut, matte sheen <input type="checkbox"/>	+\$0
669	warm paldao, quarter cut, matte sheen <input type="checkbox"/>	+\$0
68R	recograin rosewood <input type="checkbox"/>	+\$0
69R	recograin rosewood <input type="checkbox"/>	+\$0
GOU	natural walnut, flat cut, matte sheen <input type="checkbox"/>	+\$0

RecoGrain Veneer

For walnut (W)

66G	recograin wenge <input type="checkbox"/>	+\$0
69G	recograin wenge <input type="checkbox"/>	+\$0

For walnut (W)

96G	wenge recograin, quarter cut, low sheen <input type="checkbox"/>	+\$0
99G	recograin wenge, quarter cut, low sheen <input type="checkbox"/>	+\$0

Low Sheen Finishes (on Walnut)

For walnut (W)

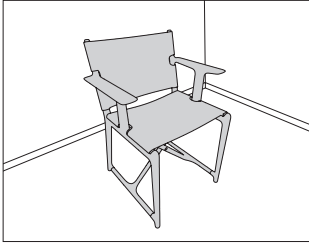
962	toasted walnut, low sheen <input type="checkbox"/>	+\$0
963	charred walnut, low sheen <input type="checkbox"/>	+\$0
964	bronzed walnut, low sheen <input type="checkbox"/>	+\$0
965	smoked walnut, low sheen <input type="checkbox"/>	+\$0
966	coffee walnut, low sheen <input type="checkbox"/>	+\$0
972	sundance walnut <input type="checkbox"/>	+\$0
98R	recograin rosewood <input type="checkbox"/>	+\$0
99R	recograin rosewood <input type="checkbox"/>	+\$0
G2U	light brown walnut, low sheen <input type="checkbox"/>	+\$0
G40	dark brown walnut, low sheen <input type="checkbox"/>	+\$0
EK	medium red walnut <input type="checkbox"/>	+\$0

Crosshatch Side Chair *continued*

Step 4. Fabric	
Price Category (Geiger) 2	+\$0
Price Category 1	+\$0
Price Category 2	+\$37
Price Category (Geiger) 3	+\$46
Price Category 3	+\$46
Price Category (Geiger) 4	+\$56
Price Category (Geiger) 5	+\$82
Price Category 5	+\$82
Price Category (Geiger) 6	+\$0
Price Category (Geiger) 7	+\$132
Price Category (Geiger) 8	+\$203
Price Category 9	+\$252
Price Category (Geiger) 10	+\$290
Price Category (Geiger) 11	+\$324
Price Category 11	+\$324
Price Category (Geiger) 14	+\$425
Price Category (Geiger) C	+\$42
Price Category (Geiger) G	+\$108
Price Category (Geiger) H	+\$134
Price Category (Geiger) J	+\$190
Price Category (Geiger) K	+\$218
Price Category (Geiger) L	+\$476
Price Category (Geiger) M	+\$530
Price Category (Geiger) COL <input type="checkbox"/> A	+\$54
Price Category (Geiger) COM <input type="checkbox"/> A	+\$0
Step 5. Fire Retardancy	
NOCAL no cal-133 required <input type="checkbox"/> A	+\$0
133 cal-133 required <input type="checkbox"/> A	+\$49

Stanley Chair

XXSD1



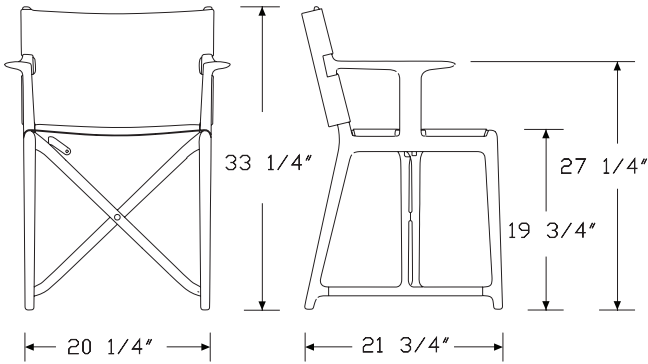
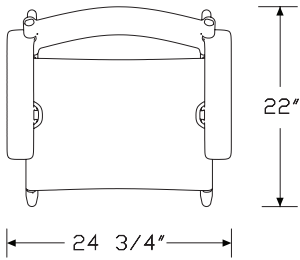
Herman Miller Collection—Side & Stacking Chairs

Product Information

Description

This folding chair has a polypropylene frame with glass fiber added. Seat and back are made with outdoor performance fabric. Chair is suitable for outdoor use. Sold individually.

Dimensions



Specification Information

Step 1.

XXSD193 A

Step 2. Textile Option

0 fabric seat and back A

Prices for Steps 1-2.

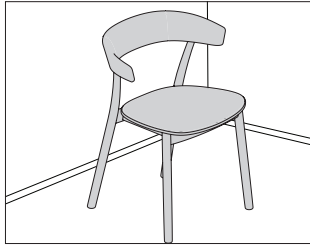
XXSD193 0 \$890

Step 3. Frame and Seat/Back Combination

- YZ1** white frame with white outdoor fabric A + \$0
- YZ2** black frame with black outdoor fabric A + \$0
- YZ3** beige frame with beige outdoor fabric A + \$0

Leeway™ Wood Side Chair

SVWUA
SVWUW
SVWWA
SVWWW



Product Information

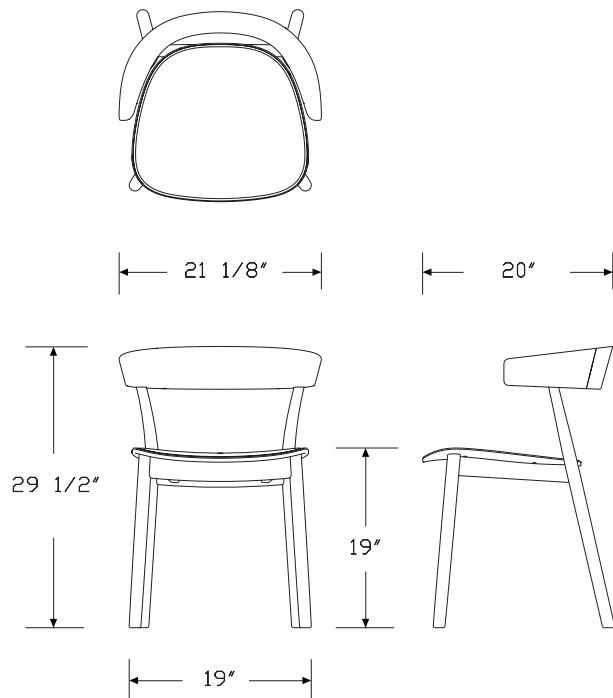
Description

This side chair has a solid wood frame available with or without an upholstered seat.

Notes

Customer's Own Material (COM) requires $\frac{3}{4}$ yard. Customer's Own Leather (COL) requires $13\frac{1}{2}$ square feet. See Order Information in appendices.

Dimensions



Specification Information

Step 1.

SVW A

Step 2. Seat

U upholstered seat A

W wood seat A

Step 3. Wood Species

A ash A

W walnut A

Prices for Steps 1-3.

SVWUA	\$1185
SVWUW	\$1585
SVWWA	\$1085
SVWWW	\$1485

Step 4. Wood Finish

For ash (A)

940	sundance cherry on maple, low sheen <input type="checkbox"/>	+\$0
943	caramel cherry, low sheen <input type="checkbox"/>	+\$0
946	cocoa cherry, low sheen <input type="checkbox"/>	+\$0
956	cocoa sapele, low sheen <input type="checkbox"/>	+\$0
962	toasted walnut, low sheen <input type="checkbox"/>	+\$0
963	charred walnut, low sheen <input type="checkbox"/>	+\$0
964	bronzed walnut, low sheen <input type="checkbox"/>	+\$0
965	smoked walnut, low sheen <input type="checkbox"/>	+\$0
966	coffee walnut, low sheen <input type="checkbox"/>	+\$0
967	smoked paldao, low sheen <input type="checkbox"/>	+\$0
969	warm paldao, low sheen <input type="checkbox"/>	+\$0
96A	recograin frosty ash, low sheen <input type="checkbox"/>	+\$0
96G	recograin wenge, low sheen <input type="checkbox"/>	+\$0
96W	recograin walnut, low sheen <input type="checkbox"/>	+\$0
977	chocolate ash, low sheen <input type="checkbox"/>	+\$0
98R	recograin rosewood, low sheen <input type="checkbox"/>	+\$0
98W	recograin walnut, low sheen <input type="checkbox"/>	+\$0
991	champagne ash, low sheen <input type="checkbox"/>	+\$0
998	ebony ash, low sheen <input type="checkbox"/>	+\$0
99G	recograin wenge, low sheen <input type="checkbox"/>	+\$0
99R	recograin rosewood, low sheen <input type="checkbox"/>	+\$0
99T	recograin teak, low sheen <input type="checkbox"/>	+\$0
99W	recograin walnut, low sheen <input type="checkbox"/>	+\$0
9A1	white ash, low sheen <input type="checkbox"/>	+\$0
9K1	rift oak, low sheen <input type="checkbox"/>	+\$0
9K6	burnt oak, low sheen <input type="checkbox"/>	+\$0
ED	aged cherry, low sheen <input type="checkbox"/>	+\$0
EK	medium red walnut, low sheen <input type="checkbox"/>	+\$0
G2U	light brown walnut, low sheen <input type="checkbox"/>	+\$0
G40	dark brown walnut, low sheen <input type="checkbox"/>	+\$0
UX	walnut on cherry, low sheen <input type="checkbox"/>	+\$0

For ash (A)

662	toasted walnut, matte sheen <input type="checkbox"/>	+\$0
663	charred walnut, matte sheen <input type="checkbox"/>	+\$0
664	bronzed walnut, matte sheen <input type="checkbox"/>	+\$0
665	smoked walnut, matte sheen <input type="checkbox"/>	+\$0
666	coffee walnut, matte sheen <input type="checkbox"/>	+\$0
667	smoked paldao, matte sheen <input type="checkbox"/>	+\$0
669	warm paldao, matte sheen <input type="checkbox"/>	+\$0
66A	recograin frosty ash, matte sheen <input type="checkbox"/>	+\$0
66G	recograin wenge, matte sheen <input type="checkbox"/>	+\$0
66W	recograin walnut, matte sheen <input type="checkbox"/>	+\$0
677	chocolate ash, matte sheen <input type="checkbox"/>	+\$0
68R	recograin rosewood, matte sheen <input type="checkbox"/>	+\$0
68W	recograin walnut, matte sheen <input type="checkbox"/>	+\$0
69A	recograin frosty ash, matte sheen <input type="checkbox"/>	+\$0
69G	recograin wenge, matte sheen <input type="checkbox"/>	+\$0
69R	recograin rosewood, matte sheen <input type="checkbox"/>	+\$0
69T	recograin teak, matte sheen <input type="checkbox"/>	+\$0
69W	recograin walnut, matte sheen <input type="checkbox"/>	+\$0
6A1	white ash, matte sheen <input type="checkbox"/>	+\$0
6ET	clear on ash, ash solid, matte sheen <input type="checkbox"/>	+\$0
6EU	oak on ash, oak solid, matte sheen <input type="checkbox"/>	+\$0
6EV	walnut on ash, walnut solid, matte sheen <input type="checkbox"/>	+\$0
6K1	rift oak, matte sheen <input type="checkbox"/>	+\$0
6K6	burnt oak, matte sheen <input type="checkbox"/>	+\$0
ET	clear on ash, matte sheen <input type="checkbox"/>	+\$0
EU	oak on ash, matte sheen <input type="checkbox"/>	+\$0
EV	walnut on ash, matte sheen <input type="checkbox"/>	+\$0
GOU	walnut, matte sheen <input type="checkbox"/>	+\$0

For walnut (W)

962	toasted walnut, low sheen <input type="checkbox"/>	+\$0
963	charred walnut, low sheen <input type="checkbox"/>	+\$0
964	bronzed walnut, low sheen <input type="checkbox"/>	+\$0
965	smoked walnut, low sheen <input type="checkbox"/>	+\$0
966	coffee walnut, low sheen <input type="checkbox"/>	+\$0
967	smoked paldao, low sheen <input type="checkbox"/>	+\$0
969	warm paldao, low sheen <input type="checkbox"/>	+\$0
96G	recograin wenge, low sheen <input type="checkbox"/>	+\$0
972	sundance walnut, low sheen <input type="checkbox"/>	+\$0
98R	recograin rosewood, low sheen <input type="checkbox"/>	+\$0
99G	recograin wenge, low sheen <input type="checkbox"/>	+\$0
EK	medium red walnut, low sheen <input type="checkbox"/>	+\$0
G2U	light brown walnut, low sheen <input type="checkbox"/>	+\$0
G40	dark brown walnut, low sheen <input type="checkbox"/>	+\$0

Leeway™ Wood Side Chair *continued*

For walnut (W)

662	toasted walnut, matte sheen <input type="checkbox"/> A	+\$0
663	charred walnut, matte sheen <input type="checkbox"/> A	+\$0
664	bronzed walnut, matte sheen <input type="checkbox"/> A	+\$0
665	smoked walnut, matte sheen <input type="checkbox"/> A	+\$0
666	coffee walnut, matte sheen <input type="checkbox"/> A	+\$0
667	smoked paldao, matte sheen <input type="checkbox"/> A	+\$0
669	warm paldao, matte sheen <input type="checkbox"/> A	+\$0
66G	recograin wenge, matte sheen <input type="checkbox"/> A	+\$0
68R	recograin rosewood, matte sheen <input type="checkbox"/> A	+\$0
69G	recograin wenge, matte sheen <input type="checkbox"/> A	+\$0
69R	recograin rosewood, matte sheen <input type="checkbox"/> A	+\$0
6EV	walnut on ash, walnut solid, matte sheen <input type="checkbox"/> A	+\$0
EV	walnut on ash, matte sheen <input type="checkbox"/> A	+\$0
GOU	walnut, matte sheen <input type="checkbox"/> A	+\$0

Step 5. Fabric

For upholstered seat (U)

Price Category (Geiger) COL <input type="checkbox"/> A	+\$54
Price Category (Geiger) COM <input type="checkbox"/> A	+\$0
Price Category 1	+\$0
Price Category (Geiger) 2	+\$0
Price Category 2	+\$37
Price Category (Geiger) 3	+\$46
Price Category 3	+\$46
Price Category (Geiger) 4	+\$56
Price Category (Geiger) 5	+\$82
Price Category 5	+\$82
Price Category (Geiger) 6	+\$108
Price Category (Geiger) 7	+\$132
Price Category (Geiger) 8	+\$203
Price Category 9	+\$252
Price Category (Geiger) 10	+\$290
Price Category (Geiger) 11	+\$324
Price Category 11	+\$324
Price Category (Geiger) 14	+\$425
Price Category (Geiger) C	+\$66
Price Category (Geiger) D	+\$55
Price Category (Geiger) E	+\$66
Price Category (Geiger) G	+\$73
Price Category (Geiger) H	+\$134
Price Category (Geiger) J	+\$190
Price Category (Geiger) K	+\$218
Price Category (Geiger) L	+\$246
Price Category (Geiger) M	+\$273

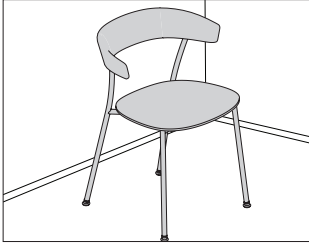
Step 6. Fire Retardancy

For upholstered seat (U)

NOCAL	not fire retardant <input type="checkbox"/> A	+\$0
133	cal-133 required <input type="checkbox"/> A	+\$49

Leeway™ Metal Frame Side Chair

SVMP
SVMUA
SVMUW
SVMWA
SVMWW



Product Information

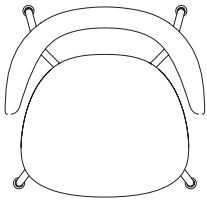
Description

This side chair has a solid wood seat and back with a metal frame or a polyurethane seat and back with a metal frame. All options available with or without an upholstered seat.

Notes

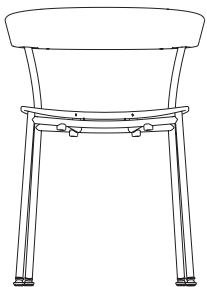
Customer's Own Material (COM) requires 1/2 yard. Customer's Own Leather (COL) requires 9 square feet. See Order Information in appendices.

Dimensions



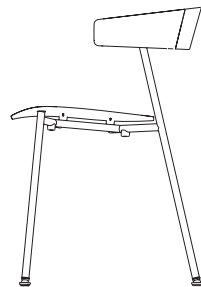
21 1/8"

20 1/8"



29 1/2"

19"



19 1/2"

Specification Information

Step 1.

SVM

Step 2. Seat/Back

U upholstered seat, wood back

W wood seat and back

P polyurethane seat and back

Step 3. Wood Species

A ash

W walnut

Prices for Steps 1-3.

SVMUA	\$985
SVMUW	\$1285
SVMWA	\$885
SVMWW	\$1185
SVMP	\$585

Step 4. Frame Finish

BK black <input type="checkbox"/>	+\$0
SAC satin chrome <input type="checkbox"/>	+\$84

Leeway™ Metal Frame Side Chair

continued

Step 5. Seat/Back Finish

For upholstered seat, wood back (U) or wood seat and back (W) with ash (A)

940	sundance cherry on maple, low sheen <input type="checkbox"/> A	+\$0
943	caramel cherry, low sheen <input type="checkbox"/> A	+\$0
946	cocoa cherry, low sheen <input type="checkbox"/> A	+\$0
956	cocoa sapele, low sheen <input type="checkbox"/> A	+\$0
962	toasted walnut, low sheen <input type="checkbox"/> A	+\$0
963	charred walnut, low sheen <input type="checkbox"/> A	+\$0
964	bronzed walnut, low sheen <input type="checkbox"/> A	+\$0
965	smoked walnut, low sheen <input type="checkbox"/> A	+\$0
966	coffee walnut, low sheen <input type="checkbox"/> A	+\$0
967	smoked paldao, low sheen <input type="checkbox"/> A	+\$0
969	warm paldao, low sheen <input type="checkbox"/> A	+\$0
96A	recograin frosty ash, low sheen <input type="checkbox"/> A	+\$0
96G	recograin wenge, low sheen <input type="checkbox"/> A	+\$0
96W	recograin walnut, low sheen <input type="checkbox"/> A	+\$0
977	chocolate ash, low sheen <input type="checkbox"/> A	+\$0
98R	recograin rosewood, low sheen <input type="checkbox"/> A	+\$0
98W	recograin walnut, low sheen <input type="checkbox"/> A	+\$0
991	champagne ash, low sheen <input type="checkbox"/> A	+\$0
998	ebony ash, low sheen <input type="checkbox"/> A	+\$0
99G	recograin wenge, low sheen <input type="checkbox"/> A	+\$0
99R	recograin rosewood, low sheen <input type="checkbox"/> A	+\$0
99T	recograin teak, low sheen <input type="checkbox"/> A	+\$0
99W	recograin walnut, low sheen <input type="checkbox"/> A	+\$0
9A1	white ash, low sheen <input type="checkbox"/> A	+\$0
9K1	rift oak, low sheen <input type="checkbox"/> A	+\$0
9K6	burnt oak, low sheen <input type="checkbox"/> A	+\$0
ED	aged cherry, low sheen <input type="checkbox"/> A	+\$0
EK	medium red walnut, low sheen <input type="checkbox"/> A	+\$0
G2U	light brown walnut, low sheen <input type="checkbox"/> A	+\$0
G40	dark brown walnut, low sheen <input type="checkbox"/> A	+\$0
UX	walnut on cherry, low sheen <input type="checkbox"/> A	+\$0

For upholstered seat, wood back (U) or wood seat and back (W) with ash (A)

662	toasted walnut, matte sheen <input type="checkbox"/> A	+\$0
663	charred walnut, matte sheen <input type="checkbox"/> A	+\$0
664	bronzed walnut, matte sheen <input type="checkbox"/> A	+\$0
665	smoked walnut, matte sheen <input type="checkbox"/> A	+\$0
666	coffee walnut, matte sheen <input type="checkbox"/> A	+\$0
667	smoked paldao, matte sheen <input type="checkbox"/> A	+\$0
669	warm paldao, matte sheen <input type="checkbox"/> A	+\$0
66A	recograin frosty ash, matte sheen <input type="checkbox"/> A	+\$0
66G	recograin wenge, matte sheen <input type="checkbox"/> A	+\$0
66W	recograin walnut, matte sheen <input type="checkbox"/> A	+\$0
677	chocolate ash, matte sheen <input type="checkbox"/> A	+\$0
68R	recograin rosewood, matte sheen <input type="checkbox"/> A	+\$0
68W	recograin walnut, matte sheen <input type="checkbox"/> A	+\$0
69A	recograin frosty ash, matte sheen <input type="checkbox"/> A	+\$0
69G	recograin wenge, matte sheen <input type="checkbox"/> A	+\$0
69R	recograin rosewood, matte sheen <input type="checkbox"/> A	+\$0
69T	recograin teak, matte sheen <input type="checkbox"/> A	+\$0
69W	recograin walnut, matte sheen <input type="checkbox"/> A	+\$0
6A1	white ash, matte sheen <input type="checkbox"/> A	+\$0
6ET	clear on ash, matte sheen <input type="checkbox"/> A	+\$0
6EU	clear on oak, matte sheen <input type="checkbox"/> A	+\$0
6EV	walnut on ash, matte sheen <input type="checkbox"/> A	+\$0
6K1	rift oak, matte sheen <input type="checkbox"/> A	+\$0
6K6	burnt oak, matte sheen <input type="checkbox"/> A	+\$0
ET	clear on ash, matte sheen <input type="checkbox"/> A	+\$0
EU	oak on ash, matte sheen <input type="checkbox"/> A	+\$0
EV	walnut on ash, matte sheen <input type="checkbox"/> A	+\$0
GOU	walnut, matte sheen <input type="checkbox"/> A	+\$0

Leeway™ Metal Frame Side Chair

continued

Herman Miller Collection—Side & Stacking Chairs

For upholstered seat, wood back (U) or wood seat and back (W) with walnut (W)

962	toasted walnut, low sheen	<input type="checkbox"/> A	+\$0
963	charred walnut, low sheen	<input type="checkbox"/> A	+\$0
964	bronzed walnut, low sheen	<input type="checkbox"/> A	+\$0
965	smoked walnut, low sheen	<input type="checkbox"/> A	+\$0
966	coffee walnut, low sheen	<input type="checkbox"/> A	+\$0
967	smoked paldao, low sheen	<input type="checkbox"/> A	+\$0
969	warm paldao, low sheen	<input type="checkbox"/> A	+\$0
96G	recograin wenge, low sheen	<input type="checkbox"/> A	+\$0
972	sundance walnut, low sheen	<input type="checkbox"/> A	+\$0
98R	recograin rosewood, low sheen	<input type="checkbox"/> A	+\$0
99G	recograin wenge, low sheen	<input type="checkbox"/> A	+\$0
99R	recograin rosewood, low sheen	<input type="checkbox"/> A	+\$0
EK	medium red walnut, low sheen	<input type="checkbox"/> A	+\$0
G2U	light brown walnut, low sheen	<input type="checkbox"/> A	+\$0
G40	dark brown walnut, low sheen	<input type="checkbox"/> A	+\$0

For upholstered seat, wood back (U) or wood seat and back (W) with walnut (W)

662	toasted walnut, matte sheen	<input type="checkbox"/> A	+\$0
663	charred walnut, matte sheen	<input type="checkbox"/> A	+\$0
664	bronzed walnut, matte sheen	<input type="checkbox"/> A	+\$0
665	smoked walnut, matte sheen	<input type="checkbox"/> A	+\$0
666	coffee walnut, matte sheen	<input type="checkbox"/> A	+\$0
667	smoked paldao, matte sheen	<input type="checkbox"/> A	+\$0
669	warm paldao, matte sheen	<input type="checkbox"/> A	+\$0
66G	recograin wenge, matte sheen	<input type="checkbox"/> A	+\$0
68R	recograin rosewood, matte sheen	<input type="checkbox"/> A	+\$0
69G	recograin wenge, matte sheen	<input type="checkbox"/> A	+\$0
69R	recograin rosewood, matte sheen	<input type="checkbox"/> A	+\$0
6EV	walnut on ash, matte sheen	<input type="checkbox"/> A	+\$0
EV	walnut on ash, matte sheen	<input type="checkbox"/> A	+\$0
GOU	walnut, matte sheen	<input type="checkbox"/> A	+\$0

For polyurethane seat and back (P)

BK	black	<input type="checkbox"/> A	+\$0
-----------	-------	----------------------------	------

Step 6. Fabric

For upholstered seat, wood back (U)

Price Category (Geiger) COL	<input type="checkbox"/> A	+\$36
Price Category (Geiger) COM	<input type="checkbox"/> A	+\$0
Price Category 1		+\$0
Price Category (Geiger) 2		+\$0
Price Category 2		+\$25
Price Category (Geiger) 3		+\$31
Price Category 3		+\$31
Price Category (Geiger) 4		+\$38
Price Category (Geiger) 5		+\$55
Price Category 5		+\$55
Price Category (Geiger) 6		+\$72
Price Category (Geiger) 7		+\$89
Price Category (Geiger) 8		+\$135
Price Category 9		+\$168
Price Category (Geiger) 10		+\$193
Price Category (Geiger) 11		+\$217
Price Category 11		+\$217
Price Category (Geiger) 14		+\$284
Price Category (Geiger) C		+\$28
Price Category (Geiger) D		+\$37
Price Category (Geiger) E		+\$45
Price Category (Geiger) G		+\$73
Price Category (Geiger) H		+\$90
Price Category (Geiger) J		+\$127
Price Category (Geiger) K		+\$146
Price Category (Geiger) L		+\$164
Price Category (Geiger) M		+\$183

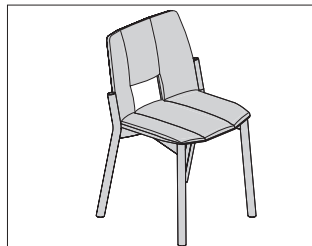
Step 7. Fire Retardancy

For upholstered seat, wood back (U)

NOCAL	not fire retardant	<input type="checkbox"/> A	+\$0
133	cal-133 required	<input type="checkbox"/> A	+\$33

Tronco Upholstered Chair

MC12.

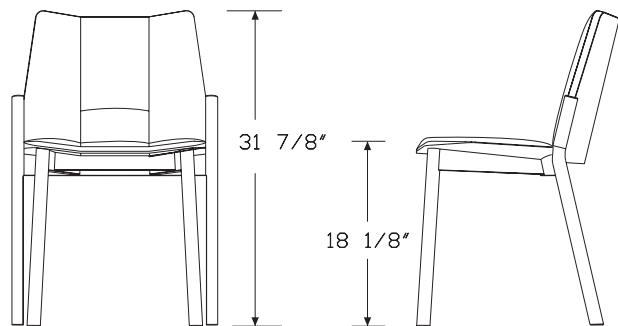
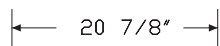
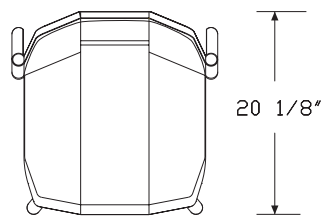


Product Information

Description

This chair has an ash frame in a range of finishes with an upholstered seat and back. Chair stacks up to 5 high on the floor or up to 10 high on appropriate dolly.

Dimensions



Specification Information

Step 1.

MC12. A \$1760

Step 2. Frame

YSA ash +\$0

Step 3. Finish

YNL natural A +\$0

YBC black +\$0

YBP white A +\$0

YRL red A +\$0

WNS walnut stained A +\$0

CNS chestnut stained A +\$0

Step 4. Fabric

YDG01 topia ebony A +\$0

YDG04 topia moon A +\$0

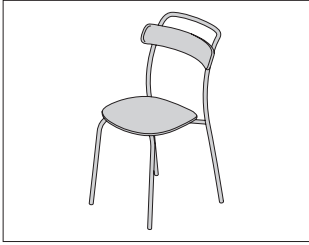
YDG11 topia walnut A +\$0

YDG12 topia chili A +\$0

YDG13 topia palm A +\$0

Forcina Chair

MC16C.



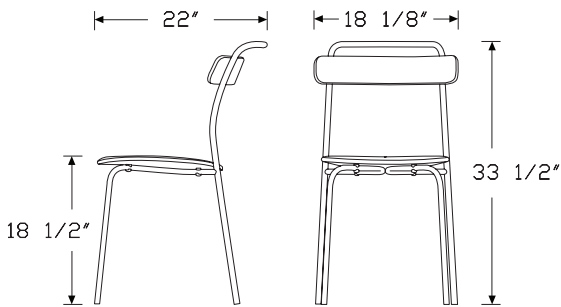
Herman Miller Collection—Side & Stacking Chairs

Product Information

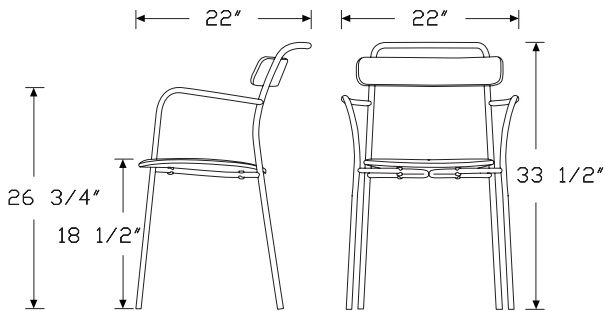
Description

This chair has seat and back in ash or oak and comes with or without arms. Chair stacks up to 3 high. Ships assembled.

Dimensions



Chair, No Arms



Chair, Arms

Specification Information

Step 1.

MC16C. A

Step 2. Arms

A	arms <input type="checkbox"/> A	+\$1195
N	no arms <input type="checkbox"/> A	+\$995

Step 3. Frame Finish

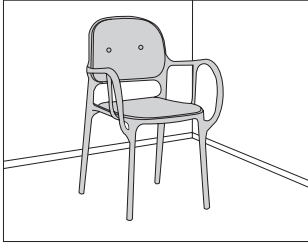
A	black stainless steel <input type="checkbox"/> A	+\$0
N	brushed stainless steel <input type="checkbox"/> A	+\$330

Step 4. Seat and Back Finish

YQB	black anilin ash <input type="checkbox"/> A	+\$0
YQC	natural ash <input type="checkbox"/> A	+\$0
YFC	natural oak <input type="checkbox"/> A	+\$100

Milà Upholstered Chair

SD210

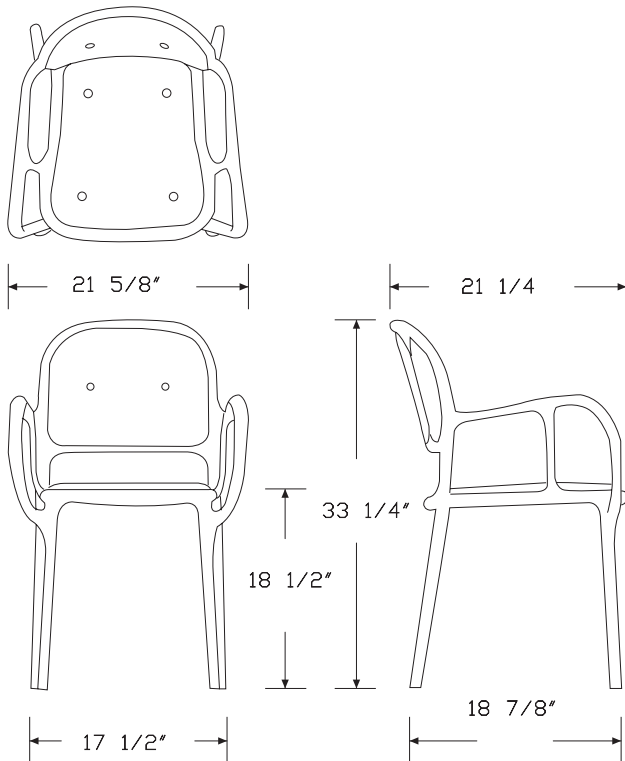


Product Information

Description

This plastic chair has an upholstered seat pad or upholstered seat and back. Package contains 2 chairs.

Dimensions



Specification Information

Step 1.

SD210

Step 2. Upholstery

5 seat/back upholstery

6 seat pad only

Prices for Steps 1-2.

SD210 5	\$1620
6	\$1400

Step 3. Finish

1484C red <input type="checkbox"/>	+\$0
1556C dark green <input type="checkbox"/>	+\$0
1666C yellow <input type="checkbox"/>	+\$0
1733C beige <input type="checkbox"/>	+\$0
1738C white <input type="checkbox"/>	+\$0
1769C black <input type="checkbox"/>	+\$0

Step 4. Fabric

For red (1484C)

F-130 KingLKat red +\$0

For dark green (1556C)

F-359 KingLKat green +\$0

For yellow (1666C)

F-579 KingLKat yellow +\$0

For beige (1733C)

F-459 KingLKat beige +\$0

For white (1738C)

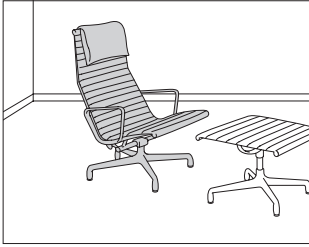
F-739 KingLKat white +\$0

For black (1769C)

F-198 KingLKat black +\$0

Eames® Aluminum Group Lounge Chair

EA316
EA322



HermanMiller Collection—Lounge Seating

Product Information

Description

This low-back chair has a lightweight aluminum frame with suspended upholstery. It has a 4-star base with 1/2" (GD) glides for hard floors or carpet, swivel mechanism, and fixed seat height.

Notes

Chair is tested and warranted for use by persons 300 pounds and under. When chair is specified with Cygnus™ mesh, it meets CAL 133 requirements.

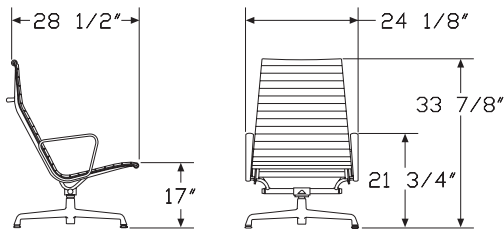
For description of glide, see Casters and Glides in Appendices.

For chair without headrest (EA316), Customer's Own Material (COM) requires 1 3/4 yards. Customer's Own Leather (COL) requires 55 square feet. See Order Information in Appendices.

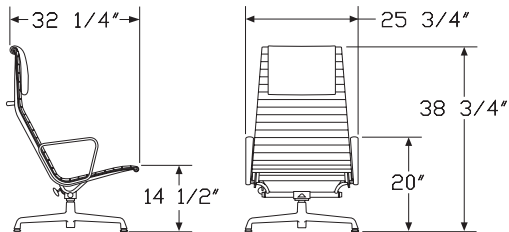
For chair with headrest (EA322), Customer's Own Material (COM) requires 3 yards. Customer's Own Leather (COL) requires 55 square feet. See Order Information in Appendices.

Dimensions

Swivel



Tilt Swivel



Specification Information

Step 1.

EA3 A

Step 2. Tilt/Arms

16 swivel and arms A

22 tilt swivel, arms, and headrest A

Prices for Steps 1-2.

EA316 \$2075

EA322 \$2247

Step 3. Base/Frame Finish

L polished aluminum A +\$0

BK black A +\$133

91 white A +\$133

Step 4. Fabric

For swivel and arms (16)

Price Category 1 +\$0

Price Category 2 +\$57

Price Category 3 +\$129

Price Category 4 +\$185

Price Category (Geiger) 4 +\$185

Price Category 5 +\$205

Price Category (Geiger) 5 +\$205

Price Category 6 +\$250

Price Category 7 A +\$248

Price Category (Geiger) 7 +\$248

Price Category 9 +\$640

Price Category (Geiger) 10 +\$724

Price Category 10M +\$964

Price Category 11 +\$851

Price Category B +\$57

Price Category C +\$80

Price Category D +\$103

Price Category E +\$124

Price Category F +\$161

Price Category G +\$209

Price Category H +\$254

Price Category I +\$298

Price Category J +\$343

Price Category K +\$387

Price Category L +\$432

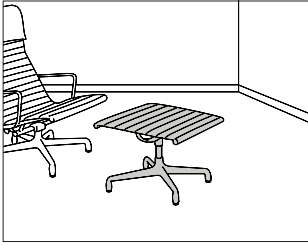
Eames® Aluminum Group Lounge Chair *continued*

For tilt swivel, arms, and headrest (22)

Price Category 1	+\$0
Price Category 2	+\$57
Price Category 3	+\$129
Price Category 4	+\$185
Price Category (Geiger) 4	+\$185
Price Category 5	+\$205
Price Category (Geiger) 5	+\$205
Price Category 6	+\$428
Price Category 7	+\$248
Price Category 9	+\$640
Price Category (Geiger) 10	+\$979
Price Category 10M	+\$1071
Price Category 11	+\$851
Price Category B	+\$57
Price Category C	+\$80
Price Category D	+\$103
Price Category E	+\$124
Price Category F	+\$161
Price Category G	+\$209
Price Category H	+\$254
Price Category I	+\$298
Price Category J	+\$343
Price Category K	+\$387
Price Category L	+\$432

Eames® Aluminum Group
Ottoman

EA323



HermanMiller Collection—Lounge Seating

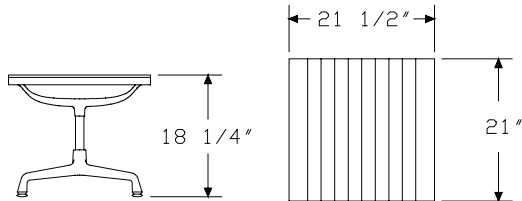
Product Information

Description
This upholstered ottoman has a lightweight aluminum frame and 1/2" (GD) glides for hard floors or carpet.

Notes
When ottoman is specified with Cygnus™ mesh, it meets CAL 133 requirements.

For description of glides, see Casters and Glides in Appendices.
Customer's Own Material (COM) requires 1 yard. Customer's Own Leather (COL) requires 20 square feet. See Order Information in Appendices.

Dimensions



Specification Information

Step 1.
EA323 [A] \$999

Step 2. Base/Frame Finish

L	polished aluminum [A]	+\$0
BK	black [A]	+\$69
91	white [A]	+\$69

Step 3. Fabric
See application chart and textiles list for fabric usage and numbers. First 2 digits of number indicate fabric line; remaining digit(s) indicate fabric color.

Price Category 1	+\$0
Price Category 2	+\$30
Price Category 3	+\$57
Price Category 4	+\$86
Price Category (Geiger) 4	+\$86
Price Category 5	+\$108
Price Category (Geiger) 5	+\$0
Price Category 6	+\$129
Price Category 7 [A]	+\$113
Price Category (Geiger) 7	+\$113
Price Category 9	+\$290
Price Category (Geiger) 10	+\$330
Price Category 10M	+\$386
Price Category 11	+\$342
Price Category B	+\$29
Price Category C	+\$43
Price Category D	+\$59
Price Category E	+\$71
Price Category F	+\$92
Price Category G	+\$119
Price Category H	+\$145
Price Category I	+\$170
Price Category J	+\$196
Price Category K	+\$221
Price Category L	+\$247

Eames® Soft Pad Lounge Chair

EA416
EA422



Product Information

Description

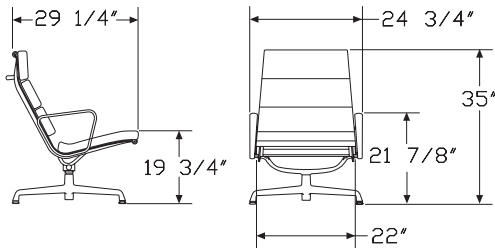
This high-back chair has a lightweight aluminum frame and 2"-thick upholstered foam cushions. It has a 4-star base with 1/2" (GD) glides for hard floors or carpet and a fixed seat height.

Notes

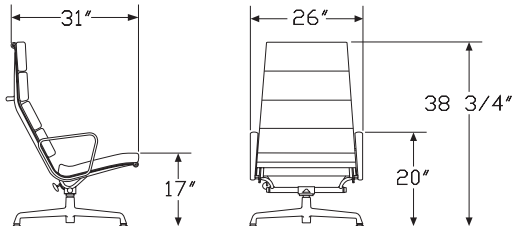
Chair is tested and warranted for use by persons 300 pounds and under. For description of glides, see Casters and Glides in Appendices. Customer's Own Material (COM) requires 3 yards for 3-cushion chair and 4 yards for 4-cushion chair. Customer's Own Leather (COL) requires 56 square feet for 3-cushion chair and 63 square feet for 4-cushion chair. See Order Information in Appendices.

Dimensions

Swivel



Tilt Swivel



Specification Information

Step 1.

EA4

Step 2. Tilt/Number of Cushions/Arms

16 swivel, 3 cushions, and arms

22 tilt swivel, 4 cushions, and arms

Prices for Steps 1-2.

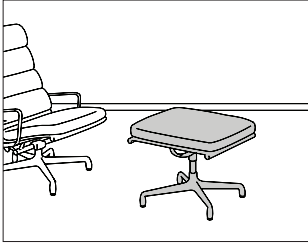
EA416	\$3609
EA422	\$3661

Step 3. Base/Frame Finish

L polished aluminum <input type="checkbox"/>	+\$0
BK black <input type="checkbox"/>	+\$133
91 white <input type="checkbox"/>	+\$133

Step 4. Fabric

Price Category 1	+\$0
Price Category 2	+\$73
Price Category 3	+\$169
Price Category (Geiger) 3	+\$169
Price Category 4	+\$270
Price Category 5	+\$339
Price Category (Geiger) 5	+\$339
Price Category 6	+\$350
Price Category 7	+\$360
Price Category (Geiger) 7	+\$360
Price Category 9	+\$649
Price Category (Geiger) 10	+\$669
Price Category 10M	+\$1127
Price Category 11	+\$965
Price Category B	+\$99
Price Category C	+\$139
Price Category D	+\$176
Price Category E	+\$213
Price Category F	+\$275
Price Category G	+\$358
Price Category H	+\$435
Price Category I	+\$511
Price Category J	+\$588
Price Category K	+\$664
Price Category L	+\$740
Price Category M	+\$817
Price Category N	+\$893
Price Category P	+\$1046



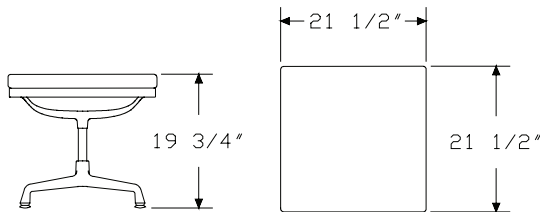
HermanMiller Collection—Lounge Seating

Product Information

Description
 This ottoman has a lightweight aluminum frame, a 2"-thick upholstered foam cushion, and 1/2" (GD) glides for hard floors or carpet.

Notes
 For description of glides, see Casters and Glides in Appendices.
 Customer's Own Material (COM) requires 1 1/4 yards. Customer's Own Leather (COL) requires 27 square feet. See Order Information in Appendices.

Dimensions



Specification Information

Step 1.
EA423 [A] \$1529

Step 2. Base/Frame Finish

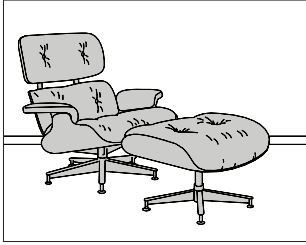
L	polished aluminum [A]	+\$0
BK	black [A]	+\$69
91	white [A]	+\$69

Step 3. Fabric
 See application chart and textiles list for fabric usage and numbers.
 First 2 digits of number indicate fabric line; remaining digit(s) indicate fabric color.

Price Category 1	+\$0
Price Category 2	+\$72
Price Category 3	+\$108
Price Category (Geiger) 3	+\$108
Price Category 4	+\$134
Price Category 5	+\$148
Price Category (Geiger) 5	+\$148
Price Category 6	+\$165
Price Category 7	+\$144
Price Category (Geiger) 7	+\$144
Price Category 9	+\$318
Price Category (Geiger) 10	+\$359
Price Category 10M	+\$543
Price Category 11	+\$454
Price Category B	+\$36
Price Category C	+\$56
Price Category D	+\$74
Price Category E	+\$88
Price Category F	+\$115
Price Category G	+\$149
Price Category H	+\$181
Price Category I	+\$213
Price Category J	+\$245
Price Category K	+\$277
Price Category L	+\$309
Price Category M	+\$340
Price Category N	+\$372
Price Category P	+\$436

Eames® Lounge Chair and Ottoman

ES670



Product Information

Description

This fixed-height chair has a molded veneer seat and back shell; the ottoman has a molded veneer shell. Both the chair and ottoman have foam cushions with leather upholstery and a black enameled base with polished aluminum accents. The chair has a swivel mechanism.

Notes

Santos palisander veneer is celebrated for its unique grain and color variations. Similar products ordered in multiples or dissimilar products ordered separately should be expected to have variation in both grain and color characteristics.

The Eames® Lounge is handcrafted and should be celebrated as such.

No two chairs are alike.

Dimensions should be noted as reference guides and can vary up to $\frac{3}{4}$ ".

See illustration with dimensional chart for standard and tall versions.

Description of dimensions is below.

Given the degree of variation, below are the exact points from which dimensions are taken (reference to panel relates to the wood panel of chair shell):

A—Overall Depth is taken from front of seat panel to top of back panel.

B—Sit Height is taken from highest point of seat cushion to the floor.

C—Overall Width is measured from the outside edge of each arm rest.

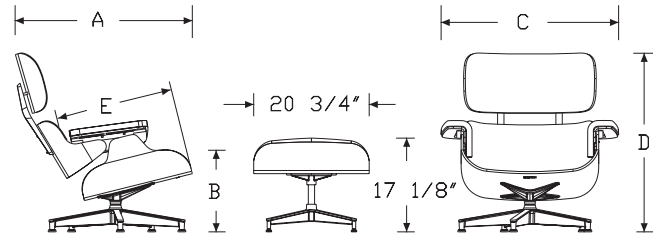
D—Overall Height is measured from top of back panel to the floor.

E—Seat Depth is taken from where seat cushion meets bottom back

panel cushion to front of seat panel.

Customer's Own Leather (COL) for the classic size (ES67071) requires 55 square feet, and for the tall size (ES67071T) requires 70 square feet. See Order Information in Appendices.

Dimensions



Size	A	B	C	D	E
Classic	35"	16"	33 1/2"	31 1/2"	21 1/4"
Tall	37 3/4"	16 1/2"	33 1/2"	33 1/4"	23 1/4"

Eames® Lounge Chair and Ottoman *continued*

Specification Information

Step 1.

ES6707 A

Step 2. Size

1 classic A

1T tall A

Prices for Steps 1-2.

ES6707 1	\$5298
1T	\$5527

Step 3. Shell Finish

OU walnut A +\$0

5Q oiled walnut A +\$979

9N santos palisander A +\$1014

5D oiled santos palisander A +\$1977

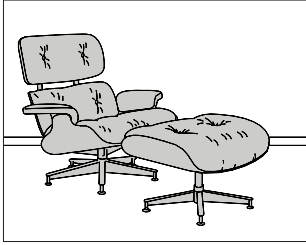
Step 4. Material

*See application chart and textiles list for fabric usage and numbers.
First 2 digits of number indicate fabric line; remaining digit(s) indicate fabric color.*

Price Category 7 <input type="checkbox"/> A	+\$300
Price Category 9	+\$612
Price Category (Geiger) 10	+\$768
Price Category 10M	+\$1383
Price Category 11	+\$893
Price Category (Geiger) 11	+\$924
Price Category L	+\$1225

Eames® Lounge Chair and Ottoman, Ebony

ES670



Product Information

Description

This fixed-height chair and ottoman has a molded ebony ash plywood shell and foam cushions with black leather upholstery. The chair base, back supports, and ottoman base are black enamel with aluminum accents. The chair has a swivel mechanism.

Notes

The Eames® Lounge is handcrafted and should be celebrated as such.

No two chairs are alike.

Dimensions should be noted as reference guides and can vary up to $\frac{3}{4}$ ".

See illustration with dimensional chart for standard and tall versions.

Description of dimensions is below.

Given the degree of variation, below are the exact points from which dimensions are taken (reference to panel relates to the wood panel of chair shell):

A—Overall Depth is taken from front of seat panel to top of back panel.

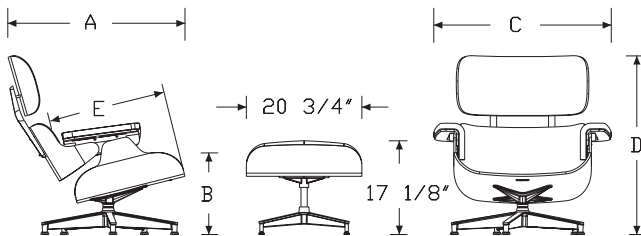
B—Sit Height is taken from highest point of seat cushion to the floor.

C—Overall Width is measured from the outside edge of each arm rest.

D—Overall Height is measured from top of back panel to the floor.

E—Seat Depth is taken from where seat cushion meets bottom back panel cushion to front of seat panel.

Dimensions



Size	A	B	C	D	E
Classic	35"	16"	33 1/2"	31 1/2"	21 1/4"
Tall	37 3/4"	16 1/2"	33 1/2"	33 1/4"	23 1/4"

Specification Information

Step 1.

ES67071E A

Step 2. Size

N classic A

NT tall A

Prices for Steps 1-2.

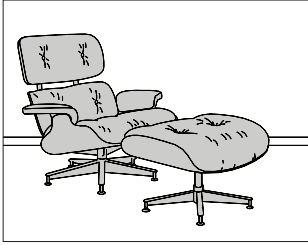
ES67071E N \$5807
NT \$6013

Step 3. Material

Price Category 11 +\$893
 Price Category L +\$1225

Eames® Lounge Chair and Ottoman White Ash

ES670



HermanMiller Collection—Lounge Seating

Product Information

Description

This fixed-height chair and ottoman has a molded white ash plywood shell and foam cushions with white leather upholstery. The chair base, back supports, and ottoman base are white enamel with aluminum accents. The chair has a swivel mechanism.

Notes

The Eames® Lounge is handcrafted and should be celebrated as such.

No two chairs are alike.

Dimensions should be noted as reference guides and can vary up to 3/4".

See illustration with dimensional chart for standard and tall versions.

Description of dimensions is below.

Given the degree of variation, below are the exact points from which dimensions are taken (reference to panel relates to the wood panel of chair shell):

A—Overall Depth is taken from front of seat panel to top of back panel.

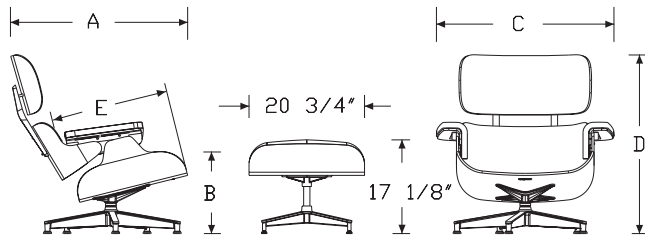
B—Sit Height is taken from highest point of seat cushion to the floor.

C—Overall Width is measured from the outside edge of each arm rest.

D—Overall Height is measured from top of back panel to the floor.

E—Seat Depth is taken from where seat cushion meets bottom back panel cushion to front of seat panel.

Dimensions



Size	A	B	C	D	E
Classic	35"	16"	33 1/2"	31 1/2"	21 1/4"
Tall	37 3/4"	16 1/2"	33 1/2"	33 1/4"	23 1/4"

Specification Information

Step 1.

ES67071R A

Step 2. Size

E classic A

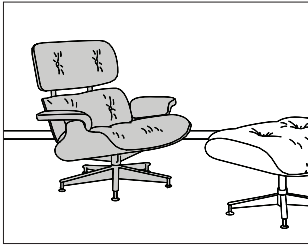
ET tall A

Prices for Steps 1-2.

ES67071R E	\$5807
ET	\$6013

Step 3. Material

Price Category 11	+\$893
Price Category L	+\$1225



Product Information

Description

This fixed-height chair has a molded veneer seat and back shell. It has foam cushions with leather upholstery, a black enameled base with polished aluminum accents, and a swivel mechanism.

Notes

Santos palisander veneer is celebrated for its unique grain and color variations. Similar products ordered in multiples or dissimilar products ordered separately should be expected to have variation in both grain and color characteristics.

The Eames® Lounge is handcrafted and should be celebrated as such.

No two chairs are alike.

Dimensions should be noted as reference guides and can vary up to 3/4".

See illustration with dimensional chart for standard and tall versions.

Description of dimensions is below.

Given the degree of variation, below are the exact points from which dimensions are taken (reference to panel relates to the wood panel of chair shell):

A—Overall Depth is taken from front of seat panel to top of back panel.

B—Sit Height is taken from highest point of seat cushion to the floor.

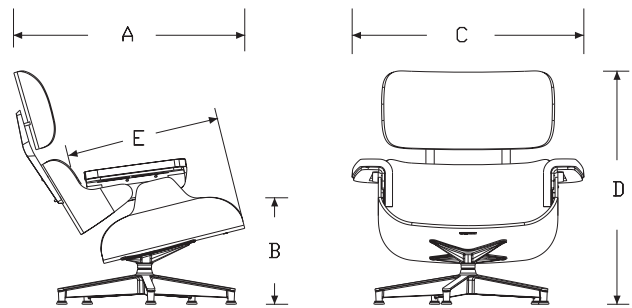
C—Overall Width is measured from the outside edge of each arm rest.

D—Overall Height is measured from top of back panel to the floor.

E—Seat Depth is taken from where seat cushion meets bottom back panel cushion to front of seat panel.

Customer's Own Leather (COL) for the classic size (ES670) requires 40 square feet, and for the tall size (ES670T) requires 55 square feet. See Order Information in appendices.

Dimensions



Size	A	B	C	D	E
Classic	35"	16"	33 1/2"	31 1/2"	21 1/4"
Tall	37 3/4"	16 1/2"	33 1/2"	33 1/4"	23 1/4"

Specification Information

Step 1.

ES67 A

Step 2. Size

0 classic A

0T tall A

Prices for Steps 1-2.

ES670	\$4264
ES670T	\$4430

Step 3. Shell Finish

OU walnut A +\$0

5Q oiled walnut A +\$731

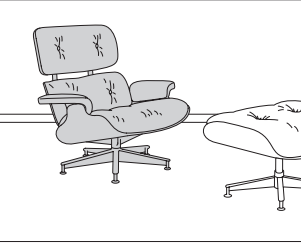
9N santos palisander A +\$812

5D oiled santos palisander A +\$1476

Step 4. Material

*See application chart and textiles list for fabric usage and numbers.
First 2 digits of number indicate fabric line; remaining digit(s) indicate fabric color.*

Price Category 7 <input type="checkbox"/> A	+\$288
Price Category 9	+\$448
Price Category (Geiger) 10	+\$627
Price Category 10M	+\$1014
Price Category 11	+\$651
Price Category (Geiger) 11	+\$672
Price Category L	+\$1000



Product Information

Description

This fixed-height chair has a molded ebony ash plywood shell and foam cushions with black leather upholstery. The chair base and back supports are black enamel with aluminum accents. The chair has a swivel mechanism.

Notes

The Eames® Lounge is handcrafted and should be celebrated as such.

No two chairs are alike.

Dimensions should be noted as reference guides and can vary up to 3/4".

See illustration with dimensional chart for standard and tall versions.

Description of dimensions is below.

Given the degree of variation, below are the exact points from which dimensions are taken (reference to panel relates to the wood panel of chair shell):

A—Overall Depth is taken from front of seat panel to top of back panel.

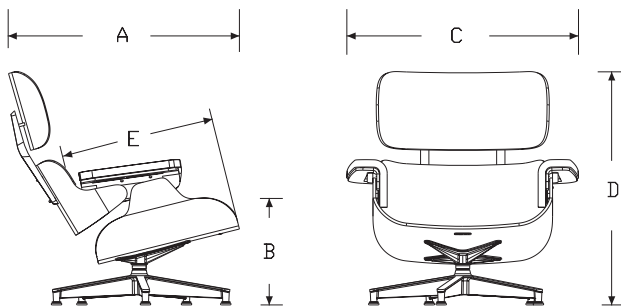
B—Sit Height is taken from highest point of seat cushion to the floor.

C—Overall Width is measured from the outside edge of each arm rest.

D—Overall Height is measured from top of back panel to the floor.

E—Seat Depth is taken from where seat cushion meets bottom back panel cushion to front of seat panel.

Dimensions



Size	A	B	C	D	E
Classic	35"	16"	33 1/2"	31 1/2"	21 1/4"
Tall	37 3/4"	16 1/2"	33 1/2"	33 1/4"	23 1/4"

Specification Information

Step 1.

ES670 A

Step 2. Size

EN classic A

ENT tall A

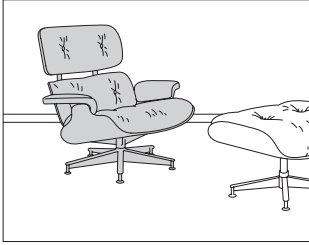
Prices for Steps 1-2.

ES670 EN	\$4569
ENT	\$4771

Step 3. Material

Price Category 11	+\$651
Price Category L	+\$1000

Eames® Lounge Chair White Ash ES670



HermanMiller Collection—Lounge Seating

Product Information

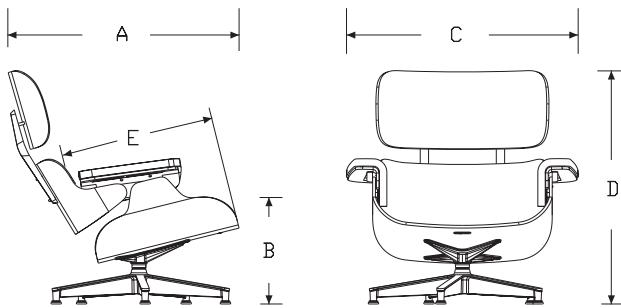
Description
 This fixed-height chair has a molded white ash plywood shell and foam cushions with white leather upholstery. The chair base and back supports are white enamel with aluminum accents. The chair has a swivel mechanism.

Notes

The Eames® Lounge is handcrafted and should be celebrated as such. No two chairs are alike. Dimensions should be noted as reference guides and can vary up to 3/4". See illustration with dimensional chart for standard and tall versions. Description of dimensions is below.
 Given the degree of variation, below are the exact points from which dimensions are taken (reference to panel relates to the wood panel of chair shell):

- A—Overall Depth is taken from front of seat panel to top of back panel.
- B—Sit Height is taken from highest point of seat cushion to the floor.
- C—Overall Width is measured from the outside edge of each arm rest.
- D—Overall Height is measured from top of back panel to the floor.
- E—Seat Depth is taken from where seat cushion meets bottom back panel cushion to front of seat panel.

Dimensions



Size	A	B	C	D	E
Classic	35"	16"	33 1/2"	31 1/2"	21 1/4"
Tall	37 3/4"	16 1/2"	33 1/2"	33 1/4"	23 1/4"

Specification Information

Step 1.

ES670 A

Step 2. Size

RE classic A

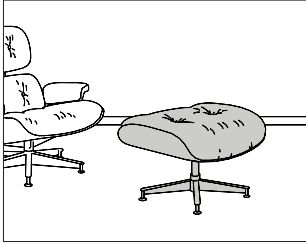
RET tall A

Prices for Steps 1-2.

ES670 RE	\$4569
RET	\$4771

Step 3. Material

Price Category 11	+\$651
Price Category L	+\$1000



Product Information

Description

This ottoman has a molded veneer shell, foam cushion with leather upholstery, and black enameled base with polished aluminum accents.

Notes

Santos palisander veneer is celebrated for its unique grain and color variations. Similar products ordered in multiples or dissimilar products ordered separately should be expected to have variation in both grain and color characteristics.

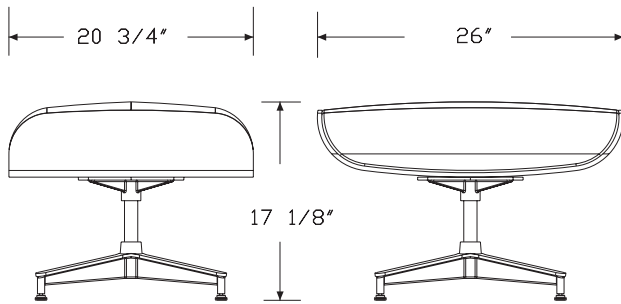
The Eames® Lounge is handcrafted and should be celebrated as such.

No two chairs are alike.

Dimensions should be noted as reference guides and can vary up to 3/4".

Customer's Own Leather (COL) requires 15 square feet. See Order Information in Appendices.

Dimensions



Specification Information

Step 1.

ES671 [A] \$1609

Step 2. Shell Finish

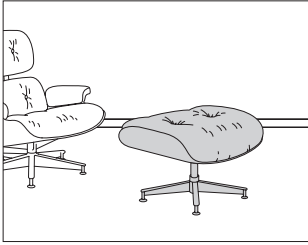
OU	walnut [A]	+\$0
9N	santos palisander [A]	+\$301
5Q	oiled walnut [A]	+\$335
5D	oiled santos palisander [A]	+\$621

Step 3. Material

See application chart and textiles list for fabric usage and numbers.

First 2 digits of number indicate fabric line; remaining digit(s) indicate fabric color.

Price Category 7 [A]	+\$107
Price Category 9	+\$164
Price Category (Geiger) 10	+\$208
Price Category 10M	+\$0
Price Category 11	+\$242
Price Category (Geiger) 11	+\$252
Price Category L	+\$400



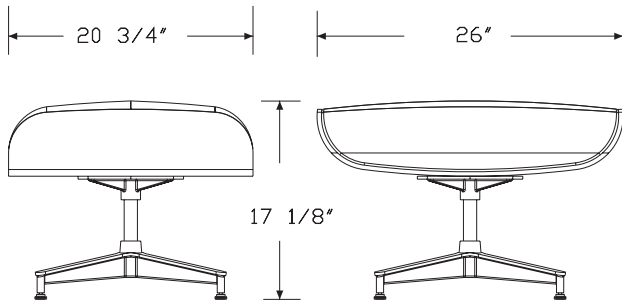
HermanMiller Collection—Lounge Seating

Product Information

Description
 This ottoman has a molded ebony ash veneer shell, foam cushion with black leather upholstery, and a black enamel base with aluminum accents.

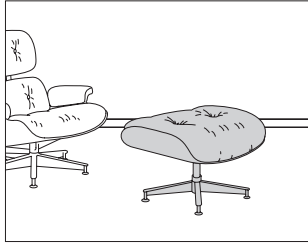
Notes
 The Eames® Lounge is handcrafted and should be celebrated as such.
 No two chairs are alike.
 Dimensions should be noted as reference guides and can vary up to 3/4".

Dimensions



Specification Information

Step 1.	
ES671EN [A]	\$1763
Step 2. Material	
Price Category 11	+\$242
Price Category L	+\$400



Product Information

Description

This ottoman has a molded plywood shell, foam cushion with white leather upholstery, and a white enamel base with aluminum accents.

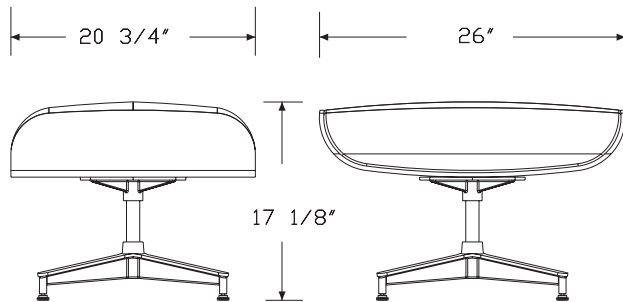
Notes

The Eames® Lounge is handcrafted and should be celebrated as such.

No two chairs are alike.

Dimensions should be noted as reference guides and can vary up to 3/4".

Dimensions



Specification Information

Step 1.

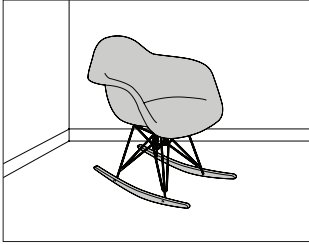
ES671RE A \$1763

Step 2. Material

Price Category 11 +\$242

Price Category L +\$400

Eames® Molded Plastic Armchair RAR.
Rocker Base

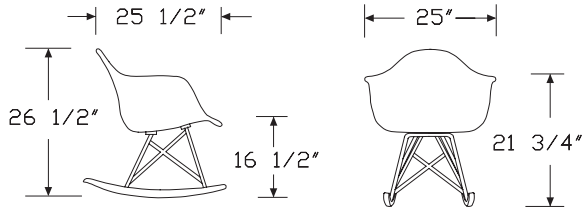


HermanMiller Collection—Lounge Seating

Product Information

Description
This chair has a single-piece molded seat and back with arms, waterfall edges, and chrome or black legs with solid-maple or walnut rockers.

Dimensions



Specification Information

Step 1.

RA

Step 2. Base Option

R. rocker base with nonupholstered shell

Prices for Steps 1-2.

RAR. \$695

Step 3. Base Finish

91 white +\$0

BK black +\$0

47 trivalent chrome +\$20

Step 4. Rocker Finish

UL natural maple +\$0

A2 white ash +\$30

OU walnut +\$30

Step 5. Seat/Back Finish

4T aqua sky +\$0

5B java +\$0

9J sparrow +\$0

CHL charcoal +\$0

PBL peacock blue +\$0

STN stone +\$0

ZA black +\$0

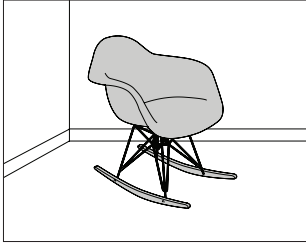
ZE red orange +\$0

ZF white +\$0

ZM alpine +\$0

Eames® Upholstered Molded Plastic Armchair Rocker Base

RAR.

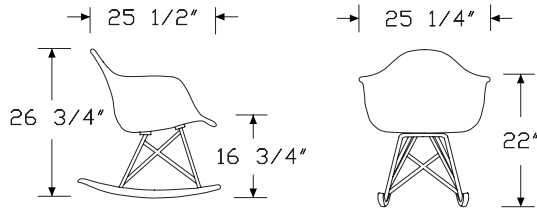


Product Information

Description

This chair has a single-piece molded plastic shell with waterfall edges and upholstered seat, back, and arms or an upholstered seat pad. Legs are chrome, black or white with solid maple, ash or walnut rockers.

Dimensions



Specification Information

Step 1.

RA

Step 2. Base and Upholstery Option

R. rocker base

Step 3. Upholstery

U fully upholstered shell

P upholstered seat pad

Prices for Steps 1-3.

RAR. U	\$945
P	\$815

Step 4. Base Finish

91 white	+\$0
BK black	+\$0
47 trivalent chrome	+\$20

Step 5. Rocker Finish

UL natural maple <input type="checkbox"/>	+\$0
A2 white ash <input type="checkbox"/>	+\$30
OU walnut <input type="checkbox"/>	+\$30

Step 6. Back Finish

4T aqua sky <input type="checkbox"/>	+\$0
5B java <input type="checkbox"/>	+\$0
9J sparrow <input type="checkbox"/>	+\$0
ZA black <input type="checkbox"/>	+\$0
ZE red orange <input type="checkbox"/>	+\$0
ZF white <input type="checkbox"/>	+\$0
ZM alpine <input type="checkbox"/>	+\$0
PYW pale yellow <input type="checkbox"/>	+\$0
BLE blue ice <input type="checkbox"/>	+\$0
BLH blush <input type="checkbox"/>	+\$0
PBL peacock blue <input type="checkbox"/>	+\$0
STN stone <input type="checkbox"/>	+\$0
KGR kelly green <input type="checkbox"/>	+\$0
CHL charcoal <input type="checkbox"/>	+\$0

Step 7. Edge Finish

For fully upholstered shell (U)

111 parchment <input type="checkbox"/>	+\$0
BK black <input type="checkbox"/>	+\$0
ZF white <input type="checkbox"/>	+\$0

Eames® Upholstered Molded Plastic Armchair Rocker Base

continued

HermanMiller Collection—Lounge Seating

Step 8. Fabric

For fully upholstered shell (U)

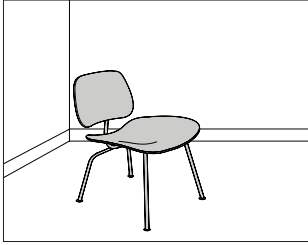
Price Category 2	+\$37
Price Category 5	+\$61
Price Category B	+\$0
Price Category G	+\$0
Price Category H	+\$212
Price Category K	+\$380

For upholstered seat pad (P)

Price Category 1	+\$0
Price Category 2	+\$26
Price Category 4	+\$34
Price Category 5	+\$61
Price Category 8	+\$146
Price Category 9	+\$216
Price Category 11	+\$262
Price Category G	+\$170
Price Category H	+\$210
Price Category K	+\$380

Eames® Molded Plywood Lounge
Chair Metal Base

LCM.



Product Information

Description

This 26½"-high molded plywood chair has natural face veneers, hardwood inner plies, and a 5-ply seat and back. It has a polished chrome-plated 4-leg base and self-leveling nylon glides. When upholstered, the back and seat shells have exposed veneer on their backside.

Notes

Red stain (11) shell finish is on birch veneer. This stain allows the wood grain to show through; inner plies are visible. Natural variations in wood grain may affect the appearance of this stain color.

Ebony (EN) shell finish is stain on ash veneer; inner plies are not as visible.

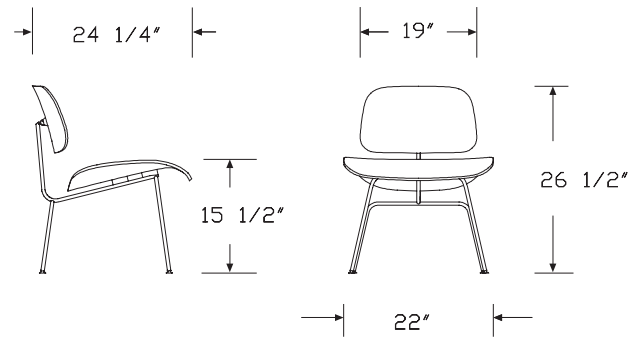
Santos palisander veneer is celebrated for its unique grain and color variations. Similar products ordered in multiples or dissimilar products ordered separately should be expected to have variation in both grain and color characteristics; no two products will look exactly alike.

Black (BK) base finish has black glides. Trivalent chrome (47) base finish has white glides.

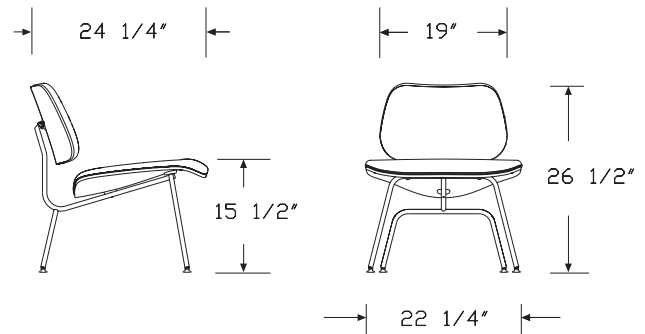
Avoid placement in direct sunlight.

Customer's Own Material (COM) requires 1 yard. Customer's Own Leather (COL), requires 24 square feet. See COM Information in Appendices for additional information.

Dimensions



nonupholstered



upholstered

Herman Miller Collection—Lounge Seating

Eames® Molded Plywood Lounge Chair Metal Base *continued*

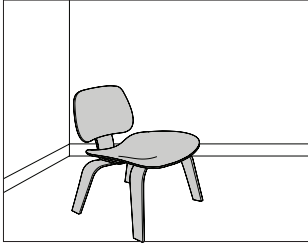
HermanMiller Collection—Lounge Seating

Specification Information	
Step 1.	
LC	A
Step 2. Upholstery	
M.	nonupholstered shell A
M.U	upholstered shell A
Prices for Steps 1-2.	
LCM.	\$844
LCM.U	\$1336
Step 3. Base Finish	
BK	black A +\$0
47	trivalent chrome A +\$20
Step 4. Shell Finish	
Wood Veneer	
OU	walnut A +\$0
11	red stain A +\$115
A2	white ash A +\$115
EN	ebony A +\$115
9N	santos palisander A +\$285
Step 5. Fabric	
<i>For upholstered shell (M.U)</i>	
Price Category 1	+\$0
Price Category 2	+\$30
Price Category 3	+\$57
Price Category (Geiger) 3	+\$57
Price Category 4	+\$86
Price Category (Geiger) 4	+\$86
Price Category 5	+\$101
Price Category (Geiger) 5	+\$90
Price Category 6	+\$114
Price Category 7	+\$181
Price Category (Geiger) 7	+\$181
Price Category 8	+\$236
Price Category 9	+\$402
Price Category 10	+\$479
Price Category (Geiger) 10	+\$479
Price Category 11	+\$577
Price Category 14	+\$624
Price Category 10M	+\$492
Price Category C	+\$0
Price Category D	+\$59

Price Category E	+\$71
Price Category F	+\$92
Price Category G	+\$119
Price Category H	+\$145
Price Category I	+\$170
Price Category J	+\$196
Price Category K	+\$221
Price Category L	+\$247
Price Category M	+\$272
Price Category N	+\$298
Price Category O	+\$323
Price Category P	+\$349
Price Category Q	+\$375
Price Category R	+\$711

Eames® Molded Plywood Lounge
Chair Wood Base

LCW.



Product Information

Description

This 26½"-high molded plywood chair has natural face veneers, hardwood inner plies, a 5-ply seat and back, and 8-ply legs. When upholstered, the back and seat shells have exposed veneer on their backside.

Notes

Red stain (11) shell finish is on birch veneer. This stain allows the wood grain to show through; inner plies are visible. Natural variations in wood grain may affect the appearance of this stain color.

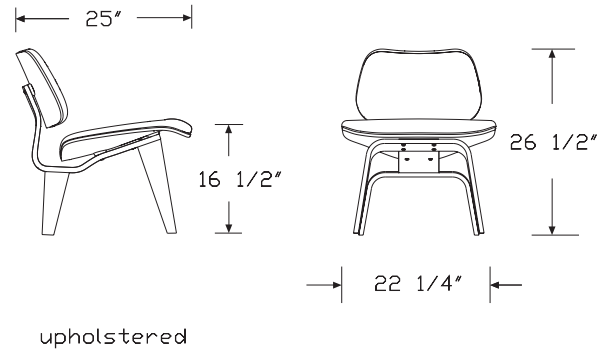
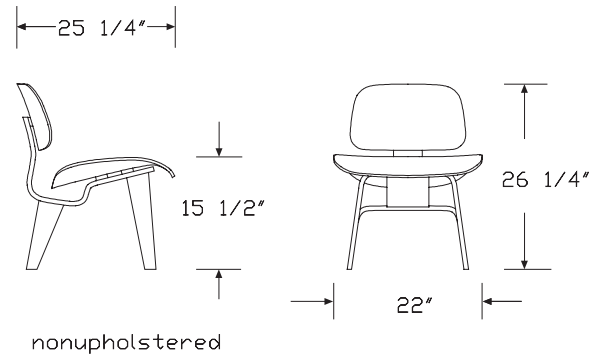
Ebony (EN) shell finish is stain on ash veneer; inner plies are not as visible.

Santos palisander veneer is celebrated for its unique grain and color variations. Similar products ordered in multiples or dissimilar products ordered separately should be expected to have variation in both grain and color characteristics; no two products will look exactly alike.

Avoid placement in direct sunlight.

Customer's Own Material (COM) requires 1 yard. Customer's Own Leather (COL), requires 24 square feet. See COM Information in Appendices for additional information.

Dimensions



Herman Miller Collection—Lounge Seating

Eames® Molded Plywood Lounge Chair Wood Base *continued*

HermanMiller Collection—Lounge Seating

Specification Information

Step 1.

LC A

Step 2. Upholstery

W. nonupholstered shell A

W.U upholstered shell A

Prices for Steps 1-2.

LCW. \$1114

LCW.U \$1574

Step 3. Finish

OU walnut A +\$0

11 red stain A +\$154

A2 white ash A +\$154

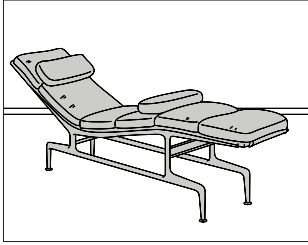
EN ebony A +\$154

9N santos palisander A +\$575

Step 4. Fabric

For upholstered shell (W.U)

Price Category 1	+\$0
Price Category 2	+\$30
Price Category 3	+\$57
Price Category 4	+\$86
Price Category (Geiger) 4	+\$86
Price Category 5	+\$101
Price Category (Geiger) 5	+\$90
Price Category 6	+\$114
Price Category 7	+\$181
Price Category (Geiger) 7	+\$181
Price Category 8	+\$236
Price Category 9	+\$402
Price Category 10	+\$479
Price Category (Geiger) 10	+\$479
Price Category 11	+\$577
Price Category 14	+\$624
Price Category 10M	+\$0
Price Category C	+\$46
Price Category D	+\$59
Price Category E	+\$71
Price Category F	+\$92
Price Category G	+\$119
Price Category H	+\$145
Price Category I	+\$170
Price Category J	+\$196
Price Category K	+\$221
Price Category L	+\$247
Price Category M	+\$272
Price Category N	+\$298
Price Category O	+\$323
Price Category P	+\$349
Price Category Q	+\$375
Price Category R	+\$711



Product Information

Description

This chaise has 6 2"-thick foam cushions with leather upholstery supported by a fabric sling. It has nylon glides and includes 2 loose cushions.

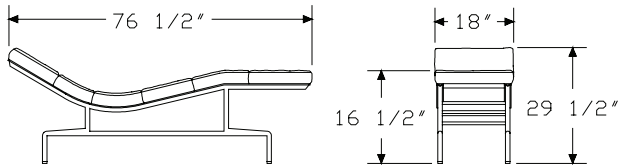
Notes

COL requires 65 square feet.

When pearl MCL leather (1R01) is specified, the fabric sling will be white.

When black MCL leather (1R10) is specified, the fabric sling will be black.

Dimensions



Specification Information

Step 1.

ES106 A \$6289

Step 2. Frame Finish

91 white A +\$450

EP eggplant A +\$450

G2 graphite satin A +\$450

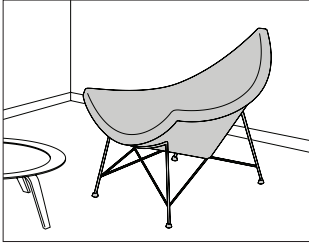
Step 3. Leather

See application chart and textiles list for fabric usage and numbers.

First 2 digits of number indicate fabric line; remaining digit(s) indicate fabric color.

Price Category 11 +\$1186

Nelson™ Coconut Lounge Chair 5569.

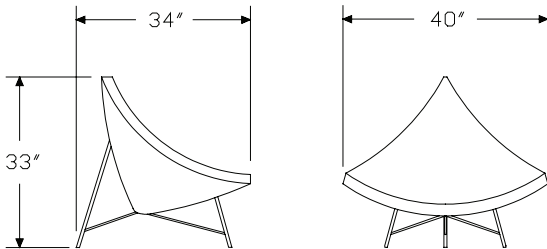


Product Information

Description

This chair has a 1-piece foam cushion upholstered in black leather, a white molded plastic shell, and a polished chrome base.

Dimensions

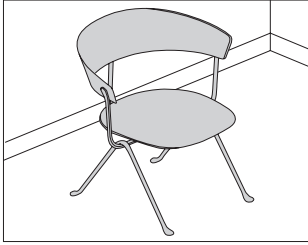


Specification Information

Step 1.

5569. A

\$8706

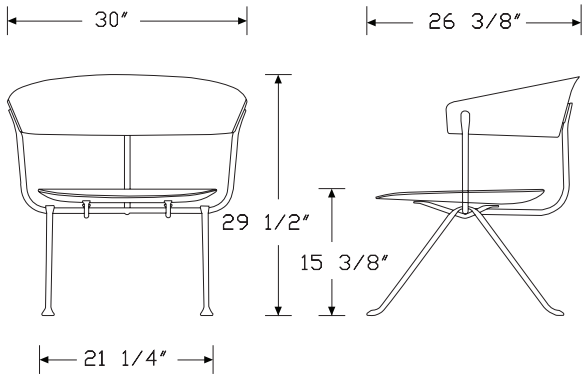
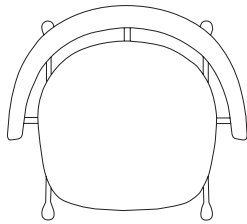


Product Information

Description

This chair has a wrought iron frame available in galvanized or painted grey anthracite finish. Seat and back are available in plywood, fabric upholstery or leather. Chairs sold individually. Ships assembled.

Dimensions



Specification Information

Step 1.

SD220X

Step 2. Seat & Back

W plywood

F fabric upholstery

L leather upholstery

Prices for Steps 1-2.

SD220X W	\$1495
F	\$1995
L	\$2595

Step 3. Frame Finish

GLV galvanized +\$0

YCB grey anthracite +\$0

Step 4. Seat & Back Finish

For plywood (W)

YNC natural beech +\$0

YNM black beech +\$0

For fabric upholstery (F)

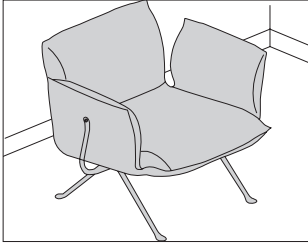
Price Category H +\$0

Price Category G +\$0

For leather upholstery (L)

YNL natural +\$0

BLK black +\$0



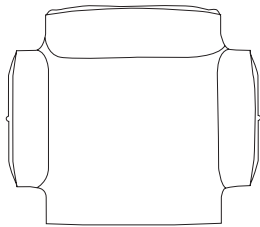
HermanMiller Collection—Lounge Seating

Product Information

Description

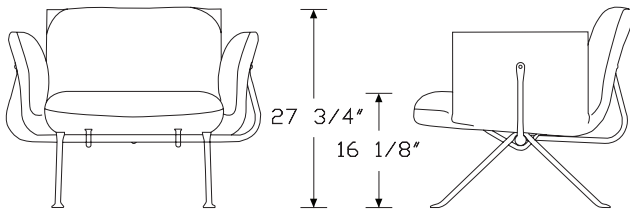
This armchair has a wrought iron frame available in galvanized or painted grey anthracite finish. Seat and back are upholstered. Ships assembled.

Dimensions



← 35 1/4" →

← 30 3/8" →



Specification Information

Step 1.

SD223X A \$2695

Step 2. Frame Finish

GLV galvanized A +\$0

YCB grey anthracite A +\$0

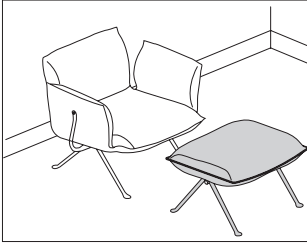
Step 3. Upholstery

Price Category (Magis) 1 +\$0

Price Category (Magis) 2 +\$300

Price Category G +\$300

Price Category H +\$300

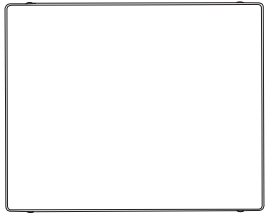


Product Information

Description

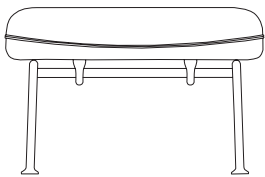
This ottoman has a wrought iron frame available in galvanized or painted grey anthracite finish. Ships assembled.

Dimensions

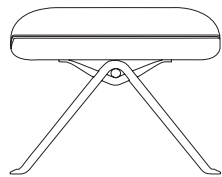


24 1/4"

19 7/8"



15 3/4"



Specification Information

Step 1.

SD226X A \$1275

Step 2. Frame Finish

GLV galvanized A +\$0

YCB grey anthracite A +\$0

Step 3. Upholstery

Price Category (Magis) 1 +\$0

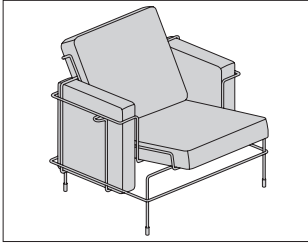
Price Category (Magis) 2 +\$120

Price Category G +\$120

Price Category H +\$120

Traffic Armchair Upholstered

XXSD2



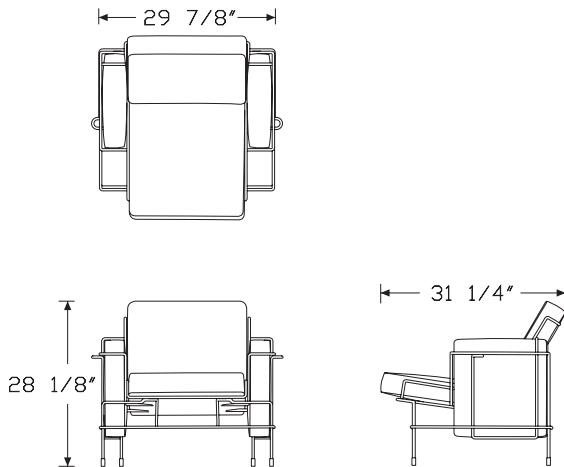
HermanMiller Collection—Lounge Seating

Product Information

Description

This armchair has a painted steel rod frame and upholstered cushions with removable covers.

Dimensions



Specification Information

Step 1.

XXSD2700 A \$3336

Step 2. Frame Finish

5011	white	A	+\$0
5013	black	A	+\$0
5016	sepia brown	A	+\$0
5017	green blue	A	+\$0
5019	signal red	A	+\$0
5021	dark green	A	+\$0

Step 3. Seat Fabric

For white (5011)

F-088	orange	A	+\$0
F-222	light blue	A	+\$0
F-266	beige	A	+\$0
F-354	green	A	+\$0
F-578	yellow	A	+\$0
F-741	light grey	A	+\$0

For black (5013)

F-521	dark brown	A	+\$0
--------------	------------	---	------

For sepia brown (5016)

F-578	yellow	A	+\$0
--------------	--------	---	------

For green blue (5017)

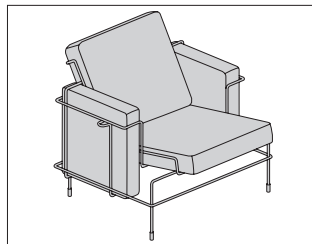
F-222	light blue	A	+\$0
--------------	------------	---	------

For signal red (5019)

F-088	orange	A	+\$0
--------------	--------	---	------

For dark green (5021)

F-354	green	A	+\$0
--------------	-------	---	------

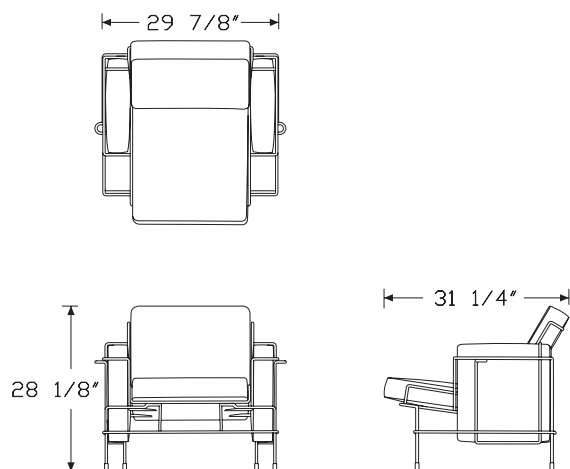


Product Information

Description

This armchair has a painted steel rod frame and upholstered cushions with removable covers.

Dimensions



Specification Information

Step 1.

XXSD2704 A \$5511

Step 2. Frame Finish

5011 white A +\$0
5013 black A +\$0
5016 sepia brown A +\$0
5021 dark green A +\$0

Step 3. Seat Fabric

For white (5011)

L-0111 brown l A +\$0
L-0706 cream white l A +\$0

For black (5013)

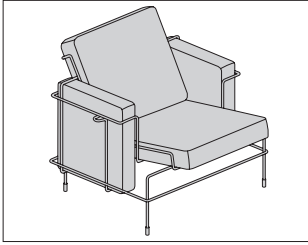
L-0060 anthracite grey l A +\$0

For dark green (5021)

L-0111 brown l A +\$0
L-0752 dark brown l A +\$0

Traffic Armchair Upholstered
(Suitable for Outdoor Use)

XXSD2

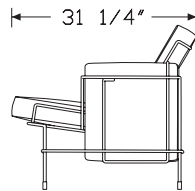
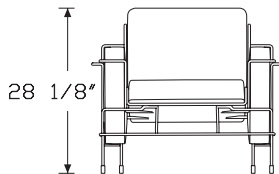
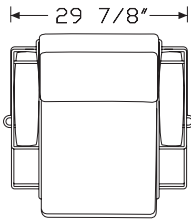


HermanMiller Collection—Lounge Seating

Product Information

Description
This armchair has a painted steel rod frame and upholstered cushions with removable covers. Suitable for outdoor use.

Dimensions



Specification Information

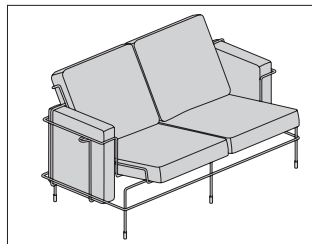
Step 1.
XXSD2701 A \$3773

Step 2. Frame Finish
5011 white A +\$0

Step 3. Seat Fabric
F-227 turquoise A +\$0
F-257 blue A +\$0
F-737 white A +\$0
F-769 black A +\$0

Traffic Two-Seater Sofa
Upholstered

XXSD2

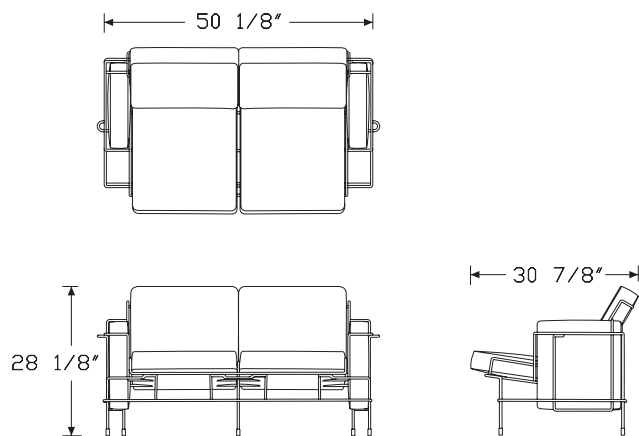


Product Information

Description

This sofa has a painted steel rod frame and upholstered cushions with removable covers.

Dimensions



Specification Information

Step 1.

XXSD2710 **A** \$519

Step 2. Frame Finish

- 5011** white **A** +\$0
- 5013** black **A** +\$0
- 5016** sepia brown **A** +\$0
- 5017** green blue **A** +\$0
- 5019** signal red **A** +\$0
- 5021** dark green **A** +\$0

Step 3. Seat Fabric

For white (5011)

- F-088** orange **A** +\$0
- F-222** light blue **A** +\$0
- F-266** beige **A** +\$0
- F-354** green **A** +\$0
- F-578** yellow **A** +\$0
- F-741** light grey **A** +\$0

For black (5013)

- F-521** dark brown **A** +\$0

For sepia brown (5016)

- F-578** yellow **A** +\$0

For green blue (5017)

- F-222** light blue **A** +\$0

For signal red (5019)

- F-088** orange **A** +\$0

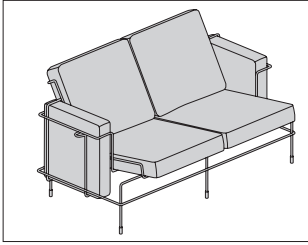
For dark green (5021)

- F-354** green **A** +\$0

HermanMiller Collection—Lounge Seating

Traffic Two-Seater Sofa
 Upholstered (Suitable for Outdoor
 Use)

XXSD2

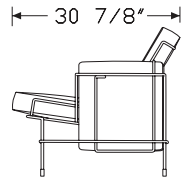
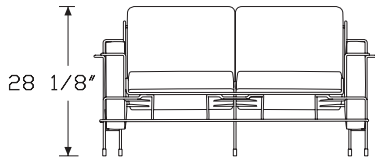
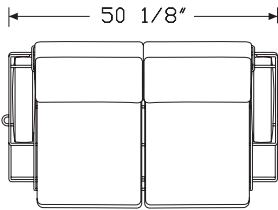


HermanMiller Collection—Lounge Seating

Product Information

Description
 This sofa has a painted steel rod frame and upholstered cushions with removable covers. Suitable for outdoor use.

Dimensions

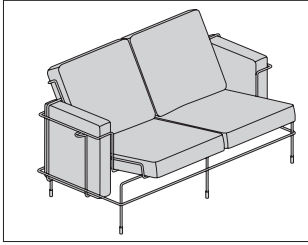


Specification Information

Step 1.
XXSD2711 A \$5785

Step 2. Frame Finish
5011 white A +\$0

Step 3. Seat Fabric
F-227 turquoise A +\$0
F-257 blue A +\$0
F-737 white A +\$0
F-769 black A +\$0

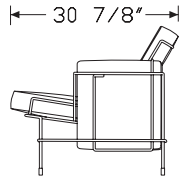
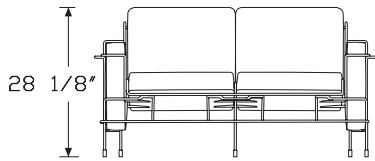
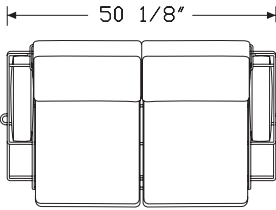


Product Information

Description

This sofa has a painted steel rod frame and upholstered cushions with removable covers.

Dimensions



Specification Information

Step 1.

XXSD2714 A \$7837

Step 2. Frame Finish

- 5011** white A +\$0
- 5013** black A +\$0
- 5016** sepia brown A +\$0
- 5021** dark green A +\$0

Step 3. Seat Fabric

For white (5011)

- L-0111** brown A +\$0
- L-0706** cream white A +\$0

For black (5013)

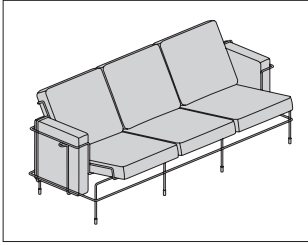
- L-0060** anthracite grey A +\$0

For dark green (5021)

- L-0111** brown A +\$0
- L-0752** dark brown A +\$0

Traffic Three-Seater Sofa
Upholstered

XXSD2



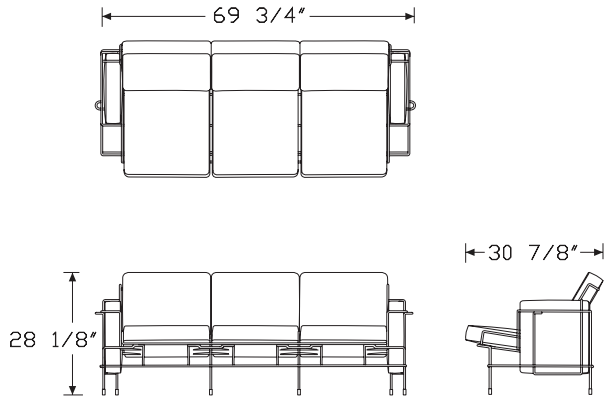
HermanMiller Collection—Lounge Seating

Product Information

Description

This sofa has a painted steel rod frame and upholstered cushions with removable covers.

Dimensions



Specification Information

Step 1.

XXSD2715 A \$6279

Step 2. Frame Finish

5011	white	A	+ \$0
5013	black	A	+ \$0
5016	sepia brown	A	+ \$0
5017	green blue	A	+ \$0
5019	signal red	A	+ \$0
5021	dark green	A	+ \$0

Step 3. Seat Fabric

For white (5011)

F-088	orange	A	+ \$0
F-222	light blue	A	+ \$0
F-266	beige	A	+ \$0
F-354	green	A	+ \$0
F-578	yellow	A	+ \$0
F-741	light grey	A	+ \$0

For black (5013)

F-521	dark brown	A	+ \$0
--------------	------------	---	-------

For sepia brown (5016)

F-578	yellow	A	+ \$0
--------------	--------	---	-------

For green blue (5017)

F-222	light blue	A	+ \$0
--------------	------------	---	-------

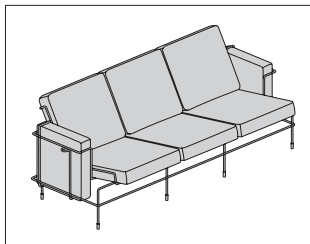
For signal red (5019)

F-088	orange	A	+ \$0
--------------	--------	---	-------

For dark green (5021)

F-354	green	A	+ \$0
--------------	-------	---	-------

Traffic Three-Seater Sofa XXSD2
 Upholstered (Suitable for Outdoor
 Use)

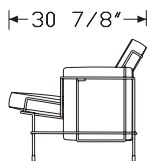
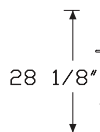
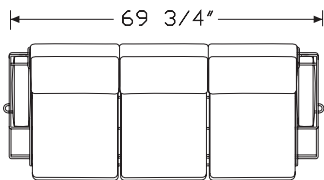


Product Information

Description

This sofa has a painted steel rod frame and upholstered cushions with removable covers. Suitable for outdoor use.

Dimensions



Specification Information

Step 1.

XXSD2716 A \$6939

Step 2. Frame Finish

5011 white A +\$0

Step 3. Seat Fabric

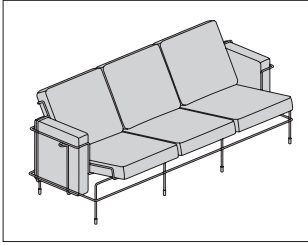
F-227 turquoise A +\$0

F-257 blue A +\$0

F-737 white A +\$0

F-769 black A +\$0

Traffic Three-Seater Sofa Leather XXSD2

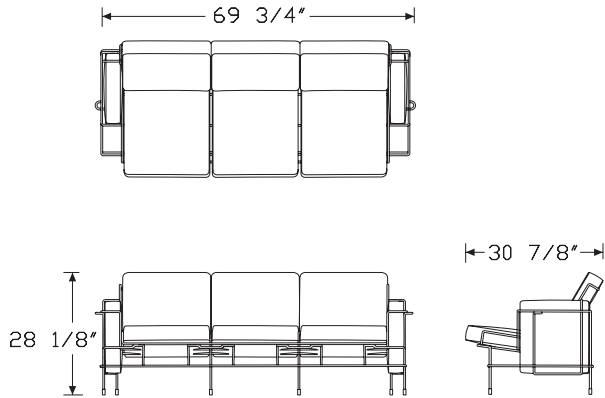


HermanMiller Collection—Lounge Seating

Product Information

Description
 This sofa has a painted steel rod frame and upholstered cushions with removable covers.

Dimensions



Specification Information

Step 1.
XXSD2718 [A] \$9327

Step 2. Frame Finish

5011	white [A]	+\$0
5013	black [A]	+\$0
5016	sepia brown [A]	+\$0
5021	dark green [A]	+\$0

Step 3. Seat Fabric

For white (5011)

L-0111	brown l [A]	+\$0
L-0706	cream white l [A]	+\$0

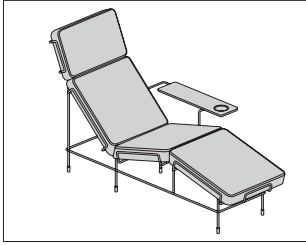
For black (5013)

L-0060	anthracite grey l [A]	+\$0
---------------	-----------------------	------

For dark green (5021)

L-0111	brown l [A]	+\$0
L-0752	dark brown l [A]	+\$0

Traffic Chaise Lounge Upholstered XXSD2

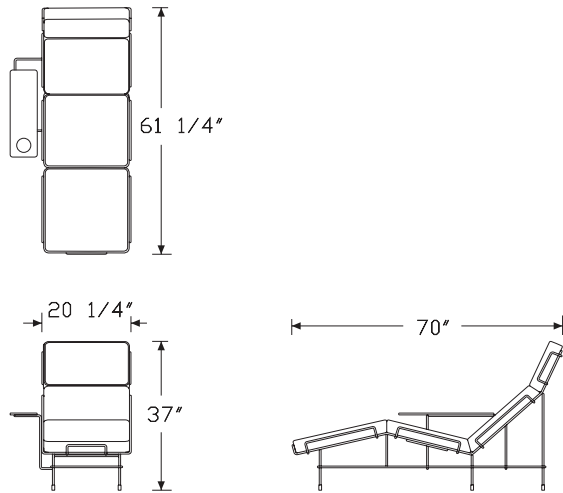


Product Information

Description

This chaise lounge has a painted steel rod frame and upholstered cushions with removable covers.

Dimensions



Specification Information

Step 1.

XXSD2720 A \$3931

Step 2. Frame Finish

5011	white	<input type="checkbox"/> A	+\$0
5013	black	<input type="checkbox"/> A	+\$0
5016	sepia brown	<input type="checkbox"/> A	+\$0
5017	green blue	<input type="checkbox"/> A	+\$0
5019	signal red	<input type="checkbox"/> A	+\$0
5021	dark green	<input type="checkbox"/> A	+\$0

Step 3. Seat Fabric

For white (5011)

F-088	orange	<input type="checkbox"/> A	+\$0
F-222	light blue	<input type="checkbox"/> A	+\$0
F-266	beige	<input type="checkbox"/> A	+\$0
F-354	green	<input type="checkbox"/> A	+\$0
F-578	yellow	<input type="checkbox"/> A	+\$0
F-741	light grey	<input type="checkbox"/> A	+\$0

For black (5013)

F-521	dark brown	<input type="checkbox"/> A	+\$0
--------------	------------	----------------------------	------

For sepia brown (5016)

F-578	yellow	<input type="checkbox"/> A	+\$0
--------------	--------	----------------------------	------

For green blue (5017)

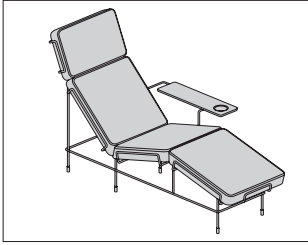
F-222	light blue	<input type="checkbox"/> A	+\$0
--------------	------------	----------------------------	------

For signal red (5019)

F-088	orange	<input type="checkbox"/> A	+\$0
--------------	--------	----------------------------	------

For dark green (5021)

F-354	green	<input type="checkbox"/> A	+\$0
--------------	-------	----------------------------	------

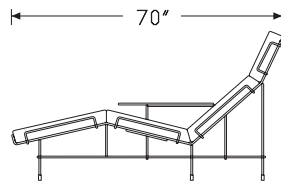
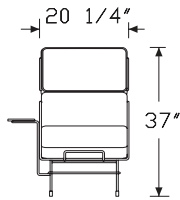
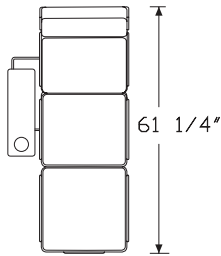


HermanMiller Collection—Lounge Seating

Product Information

Description
 This chaise lounge has a painted steel rod frame and upholstered cushions with removable covers.

Dimensions



Specification Information

Step 1.
XXSD2724 A \$6106

Step 2. Frame Finish

- 5011** white A +\$0
- 5013** black A +\$0
- 5016** sepia brown A +\$0
- 5021** dark green A +\$0

Step 3. Seat Fabric

For white (5011)

- L-0111** brown l A +\$0
- L-0706** cream white l A +\$0

For black (5013)

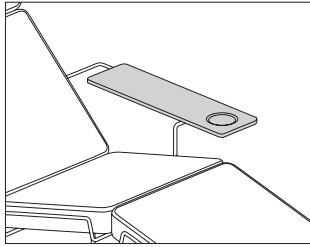
- L-0060** anthracite grey l A +\$0

For dark green (5021)

- L-0111** brown l A +\$0
- L-0752** dark brown l A +\$0

Traffic Tablet in Acrylic Stone

XXSD2

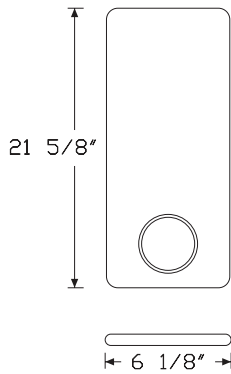


Product Information

Description

This tablet is constructed of acrylic stone and may be used with a Traffic armchair, sofa or platform bench. Top is 12mm thick. Frame purchased separately.

Dimensions



Specification Information

Step 1.

XXSD2760 [A] \$209

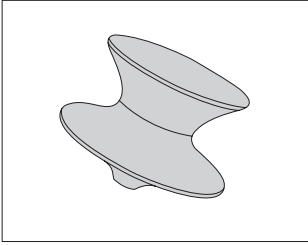
Step 2. Stone Top

WH white [A] +\$0

AG anthracite grey [A] +\$0

Spun Rotating Chair

MGN00.

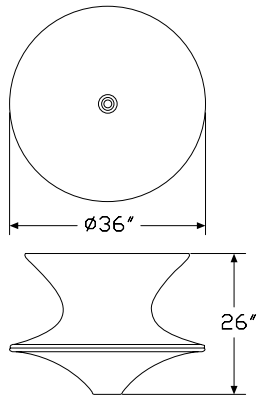


HermanMiller Collection—Lounge Seating

Product Information

Description
This rotating low chair is made from polyethylene and is suitable for outdoor use.

Dimensions



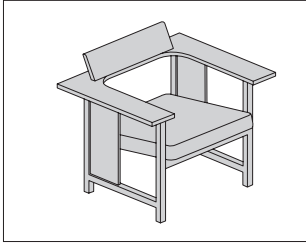
Specification Information

Step 1.
MGN00. \$825

Step 2. Finish		
YLB	dark purple <input type="checkbox"/> A	+\$0
YLD	red	+\$0
YLG	white <input type="checkbox"/> A	+\$0
YLH	grey anthracite	+\$0

Clerici Armchair

MGCL00

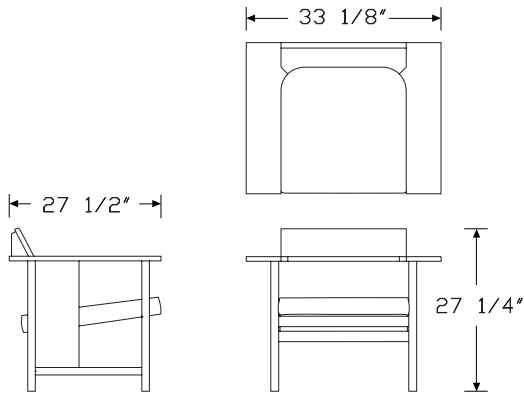


Product Information

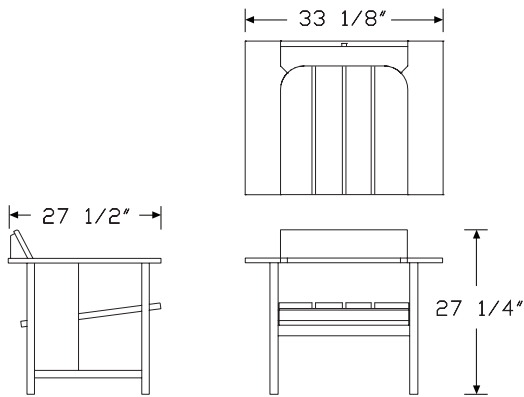
Description

This solid wood armchair has an ash, iroko, or oak frame with the option of an upholstered seat. The seat on the iroko option has slats instead of a solid seat surface.

Dimensions



with cushion



Iroko option without cushion

Specification Information

Step 1.

MGCL0 A

Step 2. Upholstery

0. nonupholstered A

0.U upholstered A

Prices for Steps 1-2.

MGCL00.	\$1400
MGCL00.U	\$2330

Step 3. Frame

For nonupholstered (o.)

YSA ash <input type="checkbox"/> A	+\$0
RKW iroko <input type="checkbox"/> A	+\$125
YFC oak <input type="checkbox"/> A	+\$400

For upholstered (o,U)

YFC oak <input type="checkbox"/> A	+\$400
---	--------

Step 4. Finish

For ash (YSA)

YMP grey <input type="checkbox"/> A	+\$0
YRL red <input type="checkbox"/> A	+\$0
YNL natural <input type="checkbox"/> A	+\$0

For oak (YFC) or iroko (RKW)

YNL natural <input type="checkbox"/> A	+\$0
---	------

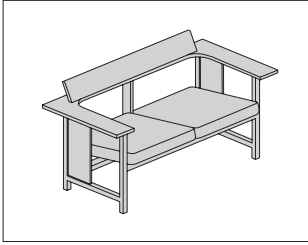
Step 5. Leather

For oak (YFC)

YLJ cuoio leather <input type="checkbox"/> A	+\$0
YLK marrone leather <input type="checkbox"/> A	+\$0

Clerici Two Seat Bench

MGCL02



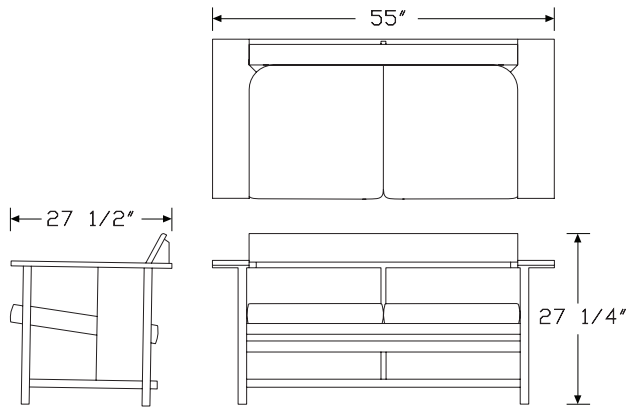
HermanMiller Collection—Lounge Seating

Product Information

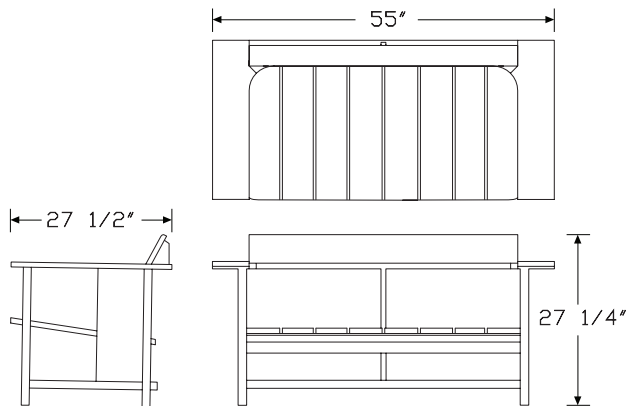
Description

This solid wood 2-seat bench has an ash, iroko, or oak frame with the option of an upholstered seat. The seat on the iroko option has slats instead of a solid seat surface.

Dimensions



with cushion



Iroko option without cushion

Specification Information

Step 1.

MGCL0 A

Step 2. Upholstery

2. two seat bench, nonupholstered A

2.U two seat bench, upholstered A

Prices for Steps 1-2.

MGCL02.	\$2466
MGCL02.U	\$4430

Step 3. Frame

For two seat bench, nonupholstered (2.)

YSA ash <input type="checkbox"/> A	+\$0
YFC oak <input type="checkbox"/> A	+\$500
RKW iroko <input type="checkbox"/> A	+\$0

For two seat bench, upholstered (2.U)

YFC oak <input type="checkbox"/> A	+\$500
---	--------

Step 4. Finish

For ash (YSA)

YMP grey <input type="checkbox"/> A	+\$0
YRL red <input type="checkbox"/> A	+\$0
YNL natural <input type="checkbox"/> A	+\$0

For oak (YFC) or iroko (RKW)

YNL natural <input type="checkbox"/> A	+\$0
---	------

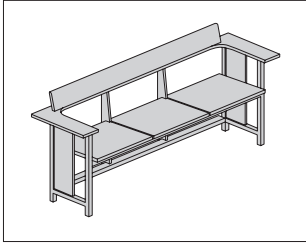
Step 5. Leather

For two seat bench, upholstered (2.U)

YLJ cuoio leather <input type="checkbox"/> A	+\$750
YLK marrone leather <input type="checkbox"/> A	+\$750

Clerici Three Seat Bench

MGCL03

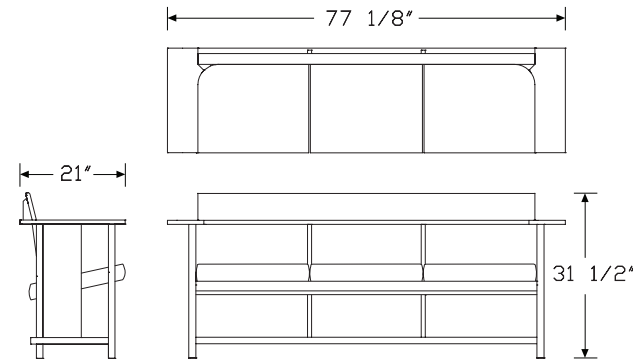


Product Information

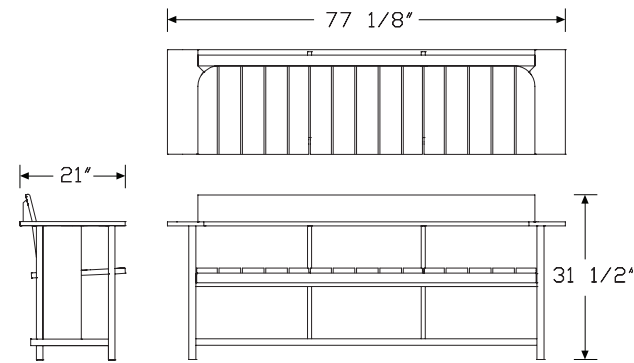
Description

This solid wood 3-seat bench has an ash, iroko, or oak frame. The seat on the iroko option has slats instead of a solid seat surface.

Dimensions



with cushion



Iroko option without cushion

Specification Information

Step 1.

MGCL03. [A] \$2525

Step 2. Frame

YSA ash [A] +\$0
YFC oak [A] +\$575
RKW iroko [A] +\$1600

Step 3. Finish

For ash (YSA)

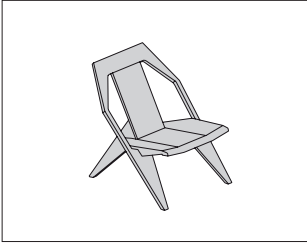
YMP grey [A] +\$0
YRL red [A] +\$0
YNL natural [A] +\$0

For oak (YFC) or iroko (RKW)

YNL natural [A] +\$0

Medici Chair

MGM00.



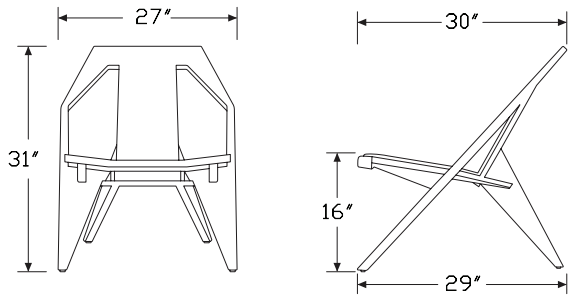
HermanMiller Collection—Lounge Seating

Product Information

Description

This solid wood chair with armrests is available in ash, walnut and Douglas fir.

Dimensions



Specification Information

Step 1.

MGM00. A

Step 3. Frame Finish

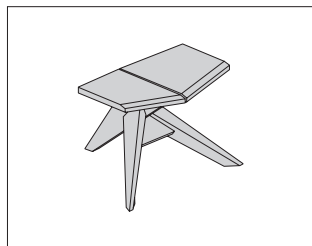
- ZQF** yellow anilin ash A
- ZQJ** grey anilin ash A
- ZPA** red anilin ash A
- ZPB** black anilin ash A
- ZQG** natural walnut waxed A

Prices for Steps 1-3.

MGM00.ZQF	\$1895
ZQJ	\$1895
ZPA	\$1895
ZPB	\$1895
ZQG	\$2500

Medici Ottoman

MGV20.

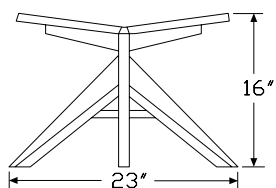
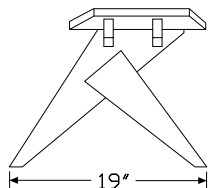


Product Information

Description

This solid wood stool is available in ash, walnut and Douglas fir.

Dimensions



Specification Information

Step 1.

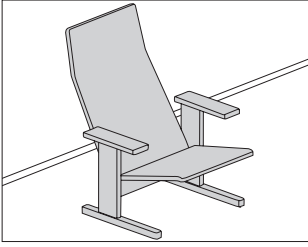
MGV20. A \$974

Step 2. Frame Finish

ZQF	yellow anilin ash	<input type="checkbox"/> A	+\$0
ZQJ	grey anilin ash	<input type="checkbox"/> A	+\$0
ZPA	red anilin ash	<input type="checkbox"/> A	+\$0
ZPB	black anilin ash	<input type="checkbox"/> A	+\$0
ZQG	natural walnut waxed	<input type="checkbox"/> A	+\$225

Quindici Lounge Chair

MC15L.

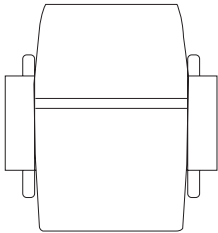


HermanMiller Collection—Lounge Seating

Product Information

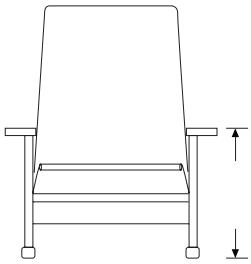
Description
 This lounge chair is constructed of ash and comes in a choice of finishes and with or without upholstery. Ships assembled.

Dimensions

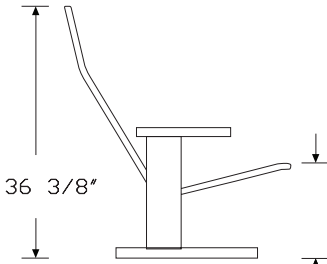


← 30 1/2" →

← 32" →



18 3/4"



36 3/8"

13 3/4"

Specification Information

Step 1.

MC15L. A

Step 2. Upholstery

N no upholstery A

Prices for Steps 1-2.

MC15L. N \$2470

Step 3. Finish

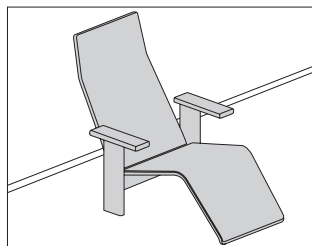
YQC natural ash A +\$0

YQB black anilin ash A +\$0

ZQJ grey anilin ash A +\$0

Quindici Chaise Longue

MC15CL

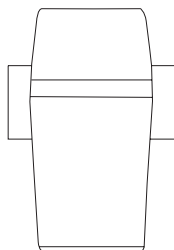


Product Information

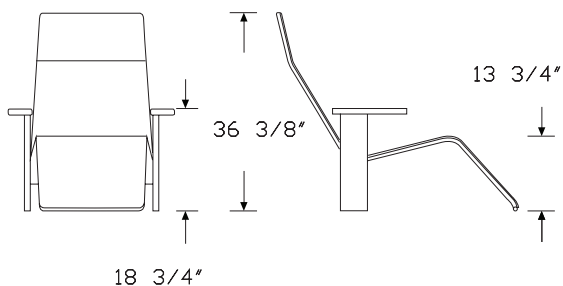
Description

This chaise longue is constructed of ash and comes in a choice of finishes and with or without upholstery. Ships assembled.

Dimensions



→ 30 1/2" ← ← 43 1/4" →



Specification Information

Step 1.

MC15CL. A

Step 2. Upholstery

N no upholstery A

Prices for Steps 1-2.

MC15CL. N \$2790

Step 3. Finish

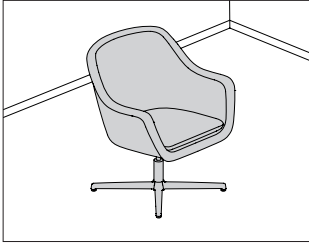
YQC natural ash A +\$0

YQB black anilin ash A +\$0

ZQJ grey anilin ash A +\$0

Bumper Lounge Chair

SBR4N



HermanMiller Collection—Lounge Seating

Product Information

Description

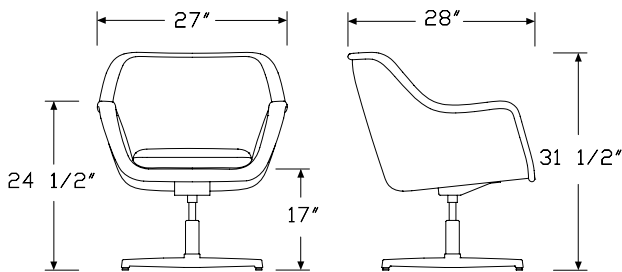
This lounge chair has upholstered inner and outer shells and arm cap, each made from one continuous piece of fabric or leather, and an upholstered seat cushion. The frame is rigid molded urethane with foam inserts, and seat and back are FR foam over rigid inserts. The 4-star, swivel-return base is polished cast aluminum with black glides.

Notes

Customers Own Material (COM) requires 2½ yards for the shell inside and outside, an additional 1¾ yards for the arm cap and cushion, or 4¼ yards when specify entire chair in the same fabric. See Order Information in Appendices.

Customers Own Leather (COL) requires 45 square feet for the shell inside and outside, an additional 31½ square feet for the arm cap and cushion, or 76½ yards when specify entire chair in the same leather. See Order Information in Appendices.

Dimensions



Specification Information

Step 1.

SBR4N A \$1955

Step 2. Shell Upholstery

Price Category 1	+\$0
Price Category 2	+\$122
Price Category (Geiger) 2	+\$122
Price Category (Geiger) 3	+\$153
Price Category 3	+\$153
Price Category (Geiger) 4	+\$186
Price Category 4	+\$186
Price Category (Geiger) 5	+\$271
Price Category 5	+\$271
Price Category (Geiger) 6	+\$356
Price Category (Geiger) 7	+\$441
Price Category (Geiger) 8	+\$675
Price Category 9	+\$838
Price Category (Geiger) 10	+\$964
Price Category (Geiger) 11	+\$1080
Price Category 11	+\$1080
Price Category (Geiger) C	+\$137
Price Category (Geiger) D	+\$181
Price Category (Geiger) E	+\$220
Price Category (Geiger) F	+\$263
Price Category (Geiger) G	+\$359
Price Category (Geiger) H	+\$446
Price Category (Geiger) I	+\$539
Price Category (Geiger) J	+\$632
Price Category (Geiger) K	+\$725
Price Category (Geiger) L	+\$817
Price Category (Geiger) M	+\$910
Price Category (Geiger) N	+\$1003
Price Category (Geiger) O	+\$1095
Price Category (Geiger) P	+\$1185
Price Category (Geiger) Q	+\$1368
Price Category (Geiger) R	+\$1906
Price Category (Geiger) S	+\$2048
Price Category (Geiger) T	+\$2189
Price Category (Geiger) U	+\$2331
Price Category (Geiger) X	+\$2756
Price Category (Geiger) Y	+\$2898
Price Category (Geiger) COM A	+\$0
Price Category (Geiger) COL A	+\$306

Step 3. Arm Cap and Cushion Upholstery

Price Category 1 +\$0

Bumper Lounge Chair *continued*

Price Category 2	+\$85
Price Category (Geiger) 2	+\$85
Price Category (Geiger) 3	+\$107
Price Category 3	+\$107
Price Category (Geiger) 4	+\$130
Price Category 4	+\$130
Price Category (Geiger) 5	+\$190
Price Category 5	+\$190
Price Category (Geiger) 6	+\$250
Price Category (Geiger) 7	+\$308
Price Category (Geiger) 8	+\$473
Price Category 9	+\$587
Price Category (Geiger) 10	+\$675
Price Category (Geiger) 11	+\$755
Price Category 11	+\$755
Price Category (Geiger) C	+\$96
Price Category (Geiger) D	+\$127
Price Category (Geiger) E	+\$154
Price Category (Geiger) F	+\$185
Price Category (Geiger) G	+\$251
Price Category (Geiger) H	+\$313
Price Category (Geiger) I	+\$377
Price Category (Geiger) J	+\$442
Price Category (Geiger) K	+\$507
Price Category (Geiger) L	+\$572
Price Category (Geiger) M	+\$637
Price Category (Geiger) O	+\$767
Price Category (Geiger) P	+\$830
Price Category (Geiger) Q	+\$957
Price Category (Geiger) R	+\$1334
Price Category (Geiger) S	+\$1433
Price Category (Geiger) X	+\$1930
Price Category (Geiger) Y	+\$2029
Price Category (Geiger) COL <input type="checkbox"/> A	+\$95
Price Category (Geiger) COM <input type="checkbox"/> A	+\$0

Step 4. Base Finish

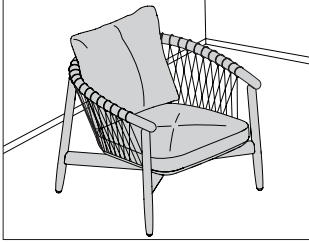
CD polished aluminum <input type="checkbox"/> A	+\$0
--	------

Step 5. Fire Retardancy

NOCAL not fire retardant <input type="checkbox"/> A	+\$0
133 fire retardant <input type="checkbox"/> A	+\$276

Crosshatch Lounge Chair

SES1A
SES1W



HermanMiller Collection—Lounge Seating

Product Information

Description

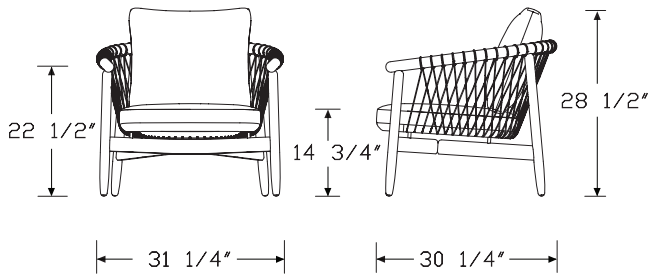
This lounge chair has a solid wood frame with cushions made of foam and DACRON®. Chair cord comes in several color options. Fire retardant chair meets CAL 133 requirements.

Notes

Cord color is specified separately from cushion color.

Customer's Own Material (COM) requires 1½ yards. Customer's Own Leather (COL) requires 27 square feet. See Order Information in Appendices.

Dimensions



Specification Information

Step 1.

SES1 A

Step 2. Frame Finish

A ash A

W walnut A

Prices for Steps 1-2.

SES1A	\$2695
SES1W	\$3205

Step 3. Wood Finish

RecoGrain Veneer

For ash (A)

66G	recoGrain wenge A	+ \$0
68W	recoGrain walnut, flat cut, matte sheen A	+ \$0
69G	recoGrain wenge A	+ \$0
69W	recoGrain walnut, quarter cut, matte sheen A	+ \$0

Recon Veneer -

For ash (A)

98W	recoGrain walnut, flat cut, low sheen A	+ \$0
99G	recoGrain wenge, quarter cut, low sheen A	+ \$0
99W	recoGrain walnut, quarter cut, low sheen A	+ \$0

Low Sheen Finishes (on Ash)

For ash (A)

967	smoked paldao, low sheen A	+ \$0
969	warm paldao, low sheen A	+ \$0

Crosshatch Lounge Chair *continued*

Low Sheen Finishes (on Ash)

For ash (A)

G2U	light brown walnut, low sheen <input type="checkbox"/>	+\$0
G40	dark brown walnut, low sheen <input type="checkbox"/>	+\$0
940	sundance cherry on maple <input type="checkbox"/>	+\$0
943	caramel cherry <input type="checkbox"/>	+\$0
946	cocoa cherry <input type="checkbox"/>	+\$0
956	cocoa sapele <input type="checkbox"/>	+\$0
962	toasted walnut, low sheen <input type="checkbox"/>	+\$0
963	charred walnut, low sheen <input type="checkbox"/>	+\$0
964	bronzed walnut, low sheen <input type="checkbox"/>	+\$0
965	smoked walnut, low sheen <input type="checkbox"/>	+\$0
966	coffee walnut, low sheen <input type="checkbox"/>	+\$0
977	chocolate ash, low sheen <input type="checkbox"/>	+\$0
98R	recograin rosewood <input type="checkbox"/>	+\$0
991	champagne ash <input type="checkbox"/>	+\$0
998	ebony ash <input type="checkbox"/>	+\$0
99A	recograin frosty ash <input type="checkbox"/>	+\$0
99R	recograin rosewood <input type="checkbox"/>	+\$0
99T	recograin teak <input type="checkbox"/>	+\$0
9A1	white ash, quarter cut, low sheen <input type="checkbox"/>	+\$0
9K1	rift oak, rift cut, low sheen <input type="checkbox"/>	+\$0
9K6	burnt oak, rift cut, low sheen <input type="checkbox"/>	+\$0
ED	aged cherry <input type="checkbox"/>	+\$0
EK	medium red walnut <input type="checkbox"/>	+\$0
UX	walnut on cherry <input type="checkbox"/>	+\$0

Matte Sheen Finishes (on Ash)

For ash (A)

66A	recograin frosty ash <input type="checkbox"/>	+\$0
677	chocolate ash, matte sheen <input type="checkbox"/>	+\$0
68R	recograin rosewood <input type="checkbox"/>	+\$0
69A	recograin frosty ash <input type="checkbox"/>	+\$0
69R	recograin rosewood <input type="checkbox"/>	+\$0
69T	recograin teak <input type="checkbox"/>	+\$0
6A1	white ash <input type="checkbox"/>	+\$0
6K1	rift oak <input type="checkbox"/>	+\$0
6K6	burnt oak <input type="checkbox"/>	+\$0
ET	clear on ash <input type="checkbox"/>	+\$0
EU	oak on ash <input type="checkbox"/>	+\$0
EV	walnut on ash <input type="checkbox"/>	+\$0
GOU	natural walnut, flat cut, matte sheen <input type="checkbox"/>	+\$0

Anigre Veneer - Low Sheen

For walnut (W)

967	smoked paldao, low sheen <input type="checkbox"/>	+\$0
969	warm paldao, low sheen <input type="checkbox"/>	+\$0

Premium Veneer - Matte

For walnut (W)

667	smoked paldao, quarter cut, matte sheen <input type="checkbox"/>	+\$0
669	warm paldao, quarter cut, matte sheen <input type="checkbox"/>	+\$0
662	toasted walnut, matte sheen <input type="checkbox"/>	+\$0
663	charred walnut, matte sheen <input type="checkbox"/>	+\$0
664	bronzed walnut, matte sheen <input type="checkbox"/>	+\$0
665	smoked walnut, matte sheen <input type="checkbox"/>	+\$0
666	coffee walnut, matte sheen <input type="checkbox"/>	+\$0
68R	recograin rosewood <input type="checkbox"/>	+\$0
69R	recograin rosewood <input type="checkbox"/>	+\$0
GOU	natural walnut, flat cut, matte sheen <input type="checkbox"/>	+\$0

RecoGrain Veneer

For walnut (W)

66G	recograin wenge <input type="checkbox"/>	+\$0
69G	recograin wenge <input type="checkbox"/>	+\$0

Recon Veneer -

For walnut (W)

96G	wenge recograin, quarter cut, low sheen <input type="checkbox"/>	+\$0
99G	recograin wenge, quarter cut, low sheen <input type="checkbox"/>	+\$0

Low Sheen Finishes (on Walnut)

For walnut (W)

G2U	light brown walnut, low sheen <input type="checkbox"/>	+\$0
G40	dark brown walnut, low sheen <input type="checkbox"/>	+\$0
962	toasted walnut, low sheen <input type="checkbox"/>	+\$0
963	charred walnut, low sheen <input type="checkbox"/>	+\$0
964	bronzed walnut, low sheen <input type="checkbox"/>	+\$0
965	smoked walnut, low sheen <input type="checkbox"/>	+\$0
966	coffee walnut, low sheen <input type="checkbox"/>	+\$0
972	sundance walnut <input type="checkbox"/>	+\$0
98R	recograin rosewood <input type="checkbox"/>	+\$0
99R	recograin rosewood <input type="checkbox"/>	+\$0
EK	medium red walnut <input type="checkbox"/>	+\$0

Step 4. Seat/Cushion

Price Category 1	+\$61
Price Category (Geiger) 2	+\$0
Price Category 2	+\$74
Price Category (Geiger) 3	+\$92
Price Category 3	+\$92
Price Category (Geiger) 4	+\$112
Price Category 4	+\$112
Price Category (Geiger) 5	+\$163
Price Category 5	+\$163

Crosshatch Lounge Chair *continued*

Price Category (Geiger) 6	+\$214
Price Category (Geiger) 7	+\$265
Price Category (Geiger) 8	+\$405
Price Category (Geiger) 9	+\$503
Price Category 9	+\$503
Price Category (Geiger) 10	+\$578
Price Category (Geiger) 11	+\$648
Price Category 11	+\$648
Price Category 14	+\$849
Price Category (Geiger) C	+\$83
Price Category (Geiger) D	+\$109
Price Category (Geiger) E	+\$132
Price Category (Geiger) F	+\$158
Price Category (Geiger) G	+\$216
Price Category (Geiger) H	+\$268
Price Category (Geiger) I	+\$324
Price Category (Geiger) J	+\$380
Price Category (Geiger) K	+\$435
Price Category (Geiger) L	+\$491
Price Category (Geiger) M	+\$546
Price Category (Geiger) N	+\$602
Price Category (Geiger) O	+\$658
Price Category (Geiger) P	+\$711
Price Category (Geiger) Q	+\$821
Price Category (Geiger) R	+\$1144
Price Category (Geiger) U	+\$1399
Price Category (Geiger) COM <input type="checkbox"/>	+\$0
Price Category (Geiger) COL <input type="checkbox"/>	+\$108

Step 5. Cord

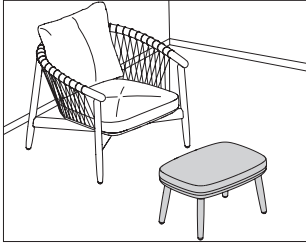
CBK black cord <input type="checkbox"/>	+\$0
CBR dark brown cord <input type="checkbox"/>	+\$0
CCM cream cord <input type="checkbox"/>	+\$0
CGY gray cord <input type="checkbox"/>	+\$0

Step 6. Fire Retardancy

NOCAL no cal-133 required <input type="checkbox"/>	+\$0
133 cal-133 required <input type="checkbox"/>	+\$98

Crosshatch Ottoman

SES3A
SES3W



Product Information

Description

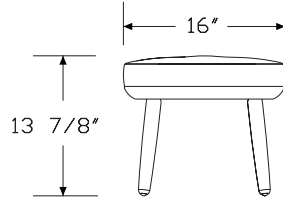
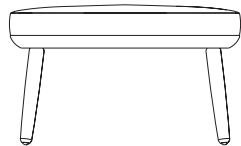
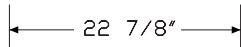
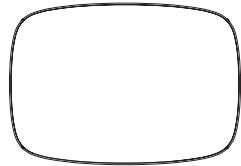
This ottoman has a solid wood frame with an upholstered cushion. Frame comes in ash or walnut.

Notes

Fire retardant chair meets CAL 133 requirements.

Customer's Own Material (COM) requires $\frac{3}{4}$ yards. Customer's Own Leather (COL) requires $13\frac{1}{2}$ square feet. See Order Information in appendices.

Dimensions



Specification Information

Step 1.

SES3 A

Step 2. Wood Species

A ash A

W walnut A

Prices for Steps 1-2.

SES3A \$1040
SES3W \$1200

Step 3. Wood Finish

For ash (A)

66G recograin wenge A +\$0
68W recograin walnut, flat cut, matte sheen A +\$0
69G recograin wenge A +\$0
69W recograin walnut, quarter cut, matte sheen A +\$0

For ash (A)

98W recograin walnut, flat cut, low sheen A +\$0
99G recograin wenge, quarter cut, low sheen A +\$0
99W recograin walnut, quarter cut, low sheen A +\$0

Low Sheen Finishes (on Ash)

For ash (A)

967 smoked paldao, low sheen A +\$0
969 warm paldao, low sheen A +\$0
932 sundance anigre A +\$0
933 caramel anigre A +\$0
934 henna anigre A +\$0

<i>For ash (A)</i>		
940	sundance cherry on maple	+ \$0
962	toasted walnut, low sheen	+ \$0
963	charred walnut, low sheen	+ \$0
964	bronzed walnut, low sheen	+ \$0
965	smoked walnut, low sheen	+ \$0
966	coffee walnut, low sheen	+ \$0
977	chocolate ash, low sheen	+ \$0
98R	recograin rosewood	+ \$0
99A	recograin frosty ash	+ \$0
99R	recograin rosewood	+ \$0
99T	recograin teak	+ \$0
9A1	white ash, quarter cut, low sheen	+ \$0
9K1	rift oak, rift cut, low sheen	+ \$0
9K6	burnt oak, rift cut, low sheen	+ \$0
EK	medium red walnut	+ \$0
EW	medium matte walnut	+ \$0
G2U	light brown walnut, low sheen	+ \$0
G40	dark brown walnut, low sheen	+ \$0
UX	walnut on cherry	+ \$0
943	caramel cherry	+ \$0
944	henna cherry	+ \$0
945	port cherry	+ \$0
946	cocoa cherry	+ \$0
954	henna sapele	+ \$0
955	port sapele	+ \$0
956	cocoa sapele	+ \$0
957	espresso sapele	+ \$0
991	champagne ash	+ \$0
998	ebony ash	+ \$0
ED	aged cherry	+ \$0

<i>Matte Sheen Finishes (on Ash)</i>		
<i>For ash (A)</i>		
66A	recograin frosty ash	+ \$0
677	chocolate ash, matte sheen	+ \$0
68R	recograin rosewood	+ \$0
69A	recograin frosty ash	+ \$0
69R	recograin rosewood	+ \$0
69T	recograin teak	+ \$0
6K1	rift oak	+ \$0
ET	clear on ash	+ \$0
EU	oak on ash	+ \$0
EV	walnut on ash	+ \$0
6A1	white ash	+ \$0
6A2	platinum ash	+ \$0
6K6	burnt oak	+ \$0
GOU	natural walnut, flat cut, matte sheen	+ \$0

<i>For walnut (W)</i>		
967	smoked paldao, low sheen	+ \$0
969	warm paldao, low sheen	+ \$0

<i>For walnut (W)</i>		
66G	recograin wenge	+ \$0
69G	recograin wenge	+ \$0

<i>For walnut (W)</i>		
96G	wenge recograin, quarter cut, low sheen	+ \$0
99G	recograin wenge, quarter cut, low sheen	+ \$0

<i>Low Sheen Finishes (on Walnut)</i>		
<i>For walnut (W)</i>		
962	toasted walnut, low sheen	+ \$0
963	charred walnut, low sheen	+ \$0
964	bronzed walnut, low sheen	+ \$0
965	smoked walnut, low sheen	+ \$0
966	coffee walnut, low sheen	+ \$0
972	sundance walnut	+ \$0
98R	recograin rosewood	+ \$0
99R	recograin rosewood	+ \$0
G2U	light brown walnut, low sheen	+ \$0
G40	dark brown walnut, low sheen	+ \$0
973	caramel walnut	+ \$0
974	henna walnut	+ \$0
975	port walnut	+ \$0
976	cocoa walnut	+ \$0
EK	medium red walnut	+ \$0

Crosshatch Ottoman *continued*

For walnut (W)

662	toasted walnut, matte sheen <input type="checkbox"/> A	+\$0
663	charred walnut, matte sheen <input type="checkbox"/> A	+\$0
664	bronzed walnut, matte sheen <input type="checkbox"/> A	+\$0
665	smoked walnut, matte sheen <input type="checkbox"/> A	+\$0
666	coffee walnut, matte sheen <input type="checkbox"/> A	+\$0
667	smoked paldao, quarter cut, matte sheen <input type="checkbox"/> A	+\$0
669	warm paldao, quarter cut, matte sheen <input type="checkbox"/> A	+\$0
68R	recograin rosewood <input type="checkbox"/> A	+\$0
69R	recograin rosewood <input type="checkbox"/> A	+\$0
GOU	natural walnut, flat cut, matte sheen <input type="checkbox"/> A	+\$0

Step 4. Fabric

Price Category 1	+\$30
Price Category (Geiger) 2	+\$0
Price Category 2	+\$37
Price Category (Geiger) 3	+\$46
Price Category 3	+\$46
Price Category (Geiger) 4	+\$56
Price Category 4	+\$56
Price Category (Geiger) 5	+\$82
Price Category 5	+\$82
Price Category (Geiger) 6	+\$108
Price Category (Geiger) 7	+\$132
Price Category (Geiger) 8	+\$203
Price Category (Geiger) 9	+\$252
Price Category 9	+\$252
Price Category (Geiger) 10	+\$290
Price Category (Geiger) 11	+\$324
Price Category (Geiger) 14	+\$425
Price Category (Geiger) C	+\$42
Price Category (Geiger) D	+\$55
Price Category (Geiger) E	+\$66
Price Category (Geiger) F	+\$80
Price Category (Geiger) G	+\$108
Price Category (Geiger) H	+\$134
Price Category (Geiger) I	+\$162
Price Category (Geiger) J	+\$190
Price Category (Geiger) K	+\$218
Price Category (Geiger) L	+\$246
Price Category (Geiger) M	+\$273
Price Category (Geiger) N	+\$301
Price Category (Geiger) O	+\$329
Price Category (Geiger) P	+\$356
Price Category (Geiger) Q	+\$410
Price Category (Geiger) R	+\$572
Price Category (Geiger) U	+\$700

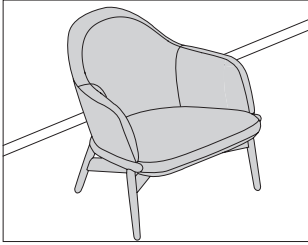
Price Category (Geiger) COM <input type="checkbox"/> A	+\$0
Price Category (Geiger) COL <input type="checkbox"/> A	+\$54

Step 5. Fire Retardancy

NOCAL no cal-133 required <input type="checkbox"/> A	+\$0
133 cal-133 required <input type="checkbox"/> A	+\$49

Reframe Mid-Back Lounge Chair

SJAA
SJAW



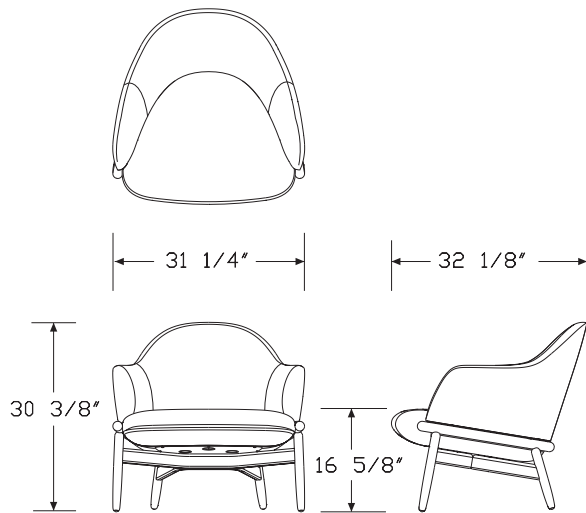
HermanMiller Collection—Lounge Seating

Product Information

Description
This chair has a solid wood frame. Seat and back are composed of rigid and flexible polyurethane foam.

Notes
Customer's Own Material (COM) requires 3½ yards. Customer's Own Leather (COL) requires 63 square feet.

Dimensions



Specification Information

Step 1.

SJA

Step 2. Wood Species

A ash

W walnut

Prices for Steps 1-2.

SJAA \$2650

SJAW \$3145

Step 3. Wood Finish

For ash (A)

662	toasted walnut, matte sheen <input type="checkbox"/>	+\$0
663	charred walnut, matte sheen <input type="checkbox"/>	+\$0
664	bronzed walnut, matte sheen <input type="checkbox"/>	+\$0
665	smoked walnut, matte sheen <input type="checkbox"/>	+\$0
666	coffee walnut, matte sheen <input type="checkbox"/>	+\$0
667	smoked paldao, matte sheen <input type="checkbox"/>	+\$0
669	warm paldao, matte sheen <input type="checkbox"/>	+\$0
66A	recograin frosty ash, matte sheen <input type="checkbox"/>	+\$0
66G	recograin wenge, matte sheen <input type="checkbox"/>	+\$0
66W	recograin walnut, matte sheen <input type="checkbox"/>	+\$0
677	chocolate ash, matte sheen <input type="checkbox"/>	+\$0
68R	recograin rosewood, matte sheen <input type="checkbox"/>	+\$0
68W	recograin walnut, matte sheen <input type="checkbox"/>	+\$0
69A	recograin frosty ash, matte sheen <input type="checkbox"/>	+\$0
69G	recograin wenge, matte sheen <input type="checkbox"/>	+\$0
69R	recograin rosewood, matte sheen <input type="checkbox"/>	+\$0
69T	recograin teak, matte sheen <input type="checkbox"/>	+\$0
69W	recograin walnut, matte sheen <input type="checkbox"/>	+\$0
6A1	white ash, matte sheen <input type="checkbox"/>	+\$0
6A2	platinum ash, matte sheen <input type="checkbox"/>	+\$0
6ET	clear on ash, matte sheen <input type="checkbox"/>	+\$0
6EU	clear on oak, matte sheen <input type="checkbox"/>	+\$0
6EV	walnut on ash, matte sheen <input type="checkbox"/>	+\$0
6K1	rift oak, matte sheen <input type="checkbox"/>	+\$0
6K6	burnt oak, matte sheen <input type="checkbox"/>	+\$0
ET	clear on ash, matte sheen <input type="checkbox"/>	+\$0
EU	oak on ash, matte sheen <input type="checkbox"/>	+\$0
EV	walnut on ash, matte sheen <input type="checkbox"/>	+\$0
GOU	walnut, matte sheen <input type="checkbox"/>	+\$0

Reframe Mid-Back Lounge Chair

continued

For ash (A)

940	sundance cherry on maple, low sheen <input type="checkbox"/>	+\$0
943	caramel cherry, low sheen <input type="checkbox"/>	+\$0
946	cocoa cherry, low sheen <input type="checkbox"/>	+\$0
956	cocoa sapele, low sheen <input type="checkbox"/>	+\$0
962	toasted walnut, low sheen <input type="checkbox"/>	+\$0
963	charred walnut, low sheen <input type="checkbox"/>	+\$0
964	bronzed walnut, low sheen <input type="checkbox"/>	+\$0
965	smoked walnut, low sheen <input type="checkbox"/>	+\$0
966	coffee walnut, low sheen <input type="checkbox"/>	+\$0
967	smoked paldao, low sheen <input type="checkbox"/>	+\$0
969	warm paldao, low sheen <input type="checkbox"/>	+\$0
96A	recograin frosty ash, low sheen <input type="checkbox"/>	+\$0
96G	recograin wenge, low sheen <input type="checkbox"/>	+\$0
96W	recograin walnut, low sheen <input type="checkbox"/>	+\$0
977	chocolate ash, low sheen <input type="checkbox"/>	+\$0
98R	recograin rosewood, low sheen <input type="checkbox"/>	+\$0
98W	recograin walnut, low sheen <input type="checkbox"/>	+\$0
991	champagne ash, low sheen <input type="checkbox"/>	+\$0
998	ebony ash, low sheen <input type="checkbox"/>	+\$0
99A	recograin frosty ash, low sheen <input type="checkbox"/>	+\$0
99G	recograin wenge, low sheen <input type="checkbox"/>	+\$0
99R	recograin rosewood, low sheen <input type="checkbox"/>	+\$0
99T	recograin teak, low sheen <input type="checkbox"/>	+\$0
99W	recograin walnut, low sheen <input type="checkbox"/>	+\$0
9A1	white ash, quarter cut, low sheen <input type="checkbox"/>	+\$0
9K1	rift oak, low sheen <input type="checkbox"/>	+\$0
9K6	burnt oak, low sheen <input type="checkbox"/>	+\$0
ED	aged cherry, low sheen <input type="checkbox"/>	+\$0
EK	medium red walnut, low sheen <input type="checkbox"/>	+\$0
G2U	light brown walnut, low sheen <input type="checkbox"/>	+\$0
G40	dark brown walnut, low sheen <input type="checkbox"/>	+\$0
UX	walnut on cherry, low sheen <input type="checkbox"/>	+\$0

For walnut (W)

662	toasted walnut, matte sheen <input type="checkbox"/>	+\$0
663	charred walnut, matte sheen <input type="checkbox"/>	+\$0
664	bronzed walnut, matte sheen <input type="checkbox"/>	+\$0
665	smoked walnut, matte sheen <input type="checkbox"/>	+\$0
666	coffee walnut, matte sheen <input type="checkbox"/>	+\$0
667	smoked paldao, matte sheen <input type="checkbox"/>	+\$0
669	warm paldao, matte sheen <input type="checkbox"/>	+\$0
66G	recograin wenge, matte sheen <input type="checkbox"/>	+\$0
68R	recograin rosewood, matte sheen <input type="checkbox"/>	+\$0
69G	recograin wenge, matte sheen <input type="checkbox"/>	+\$0
69R	recograin rosewood, matte sheen <input type="checkbox"/>	+\$0
6EV	walnut on ash, matte sheen <input type="checkbox"/>	+\$0
EV	walnut on ash, matte sheen <input type="checkbox"/>	+\$0
GOU	walnut, matte sheen <input type="checkbox"/>	+\$0

For walnut (W)

962	toasted walnut, low sheen <input type="checkbox"/>	+\$0
963	charred walnut, low sheen <input type="checkbox"/>	+\$0
964	bronzed walnut, low sheen <input type="checkbox"/>	+\$0
965	smoked walnut, low sheen <input type="checkbox"/>	+\$0
966	coffee walnut, low sheen <input type="checkbox"/>	+\$0
967	smoked paldao, low sheen <input type="checkbox"/>	+\$0
969	warm paldao, low sheen <input type="checkbox"/>	+\$0
972	sundance walnut, low sheen <input type="checkbox"/>	+\$0
96G	recograin wenge, low sheen <input type="checkbox"/>	+\$0
98R	recograin rosewood, low sheen <input type="checkbox"/>	+\$0
99G	recograin wenge, low sheen <input type="checkbox"/>	+\$0
99R	recograin rosewood, low sheen <input type="checkbox"/>	+\$0
EK	medium red walnut, low sheen <input type="checkbox"/>	+\$0
G2U	light brown walnut, low sheen <input type="checkbox"/>	+\$0
G40	dark brown walnut, low sheen <input type="checkbox"/>	+\$0

Reframe Mid-Back Lounge Chair

continued

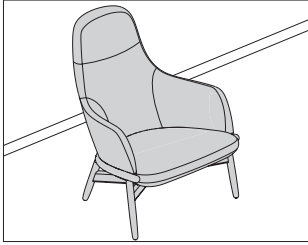
HermanMiller Collection—Lounge Seating

Step 4. Fabric	
Price Category (Geiger) COM <input type="checkbox"/> A	+\$0
Price Category (Geiger) COL <input type="checkbox"/> A	+\$252
Price Category 1	+\$0
Price Category 2	+\$170
Price Category (Geiger) 3	+\$214
Price Category (Geiger) 4	+\$260
Price Category (Geiger) 5	+\$380
Price Category 5	+\$380
Price Category (Geiger) 7	+\$617
Price Category 9	+\$1174
Price Category (Geiger) 11	+\$1512
Price Category 11	+\$1512
Price Category (Geiger) 14	+\$1980
Price Category (Geiger) C	+\$192
Price Category (Geiger) E	+\$307
Price Category (Geiger) G	+\$502
Price Category (Geiger) H	+\$625

Step 5. Fire Retardancy	
NOCAL no cal-133 required <input type="checkbox"/> A	+\$0

Reframe High-Back Lounge Chair

SJBA
SJBW



Product Information

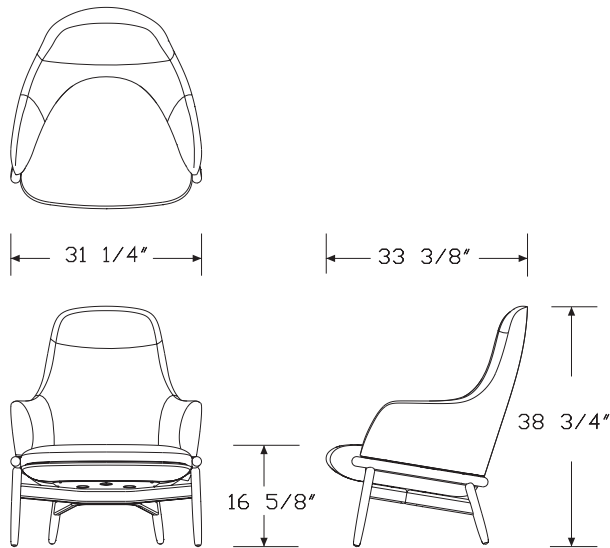
Description

This chair has a solid wood frame. Seat and back are composed of rigid and flexible polyurethane foam.

Notes

Customer's Own Material (COM) requires 3³/₄ yards. Customer's Own Leather (COL) requires 67¹/₂ square feet.

Dimensions



Specification Information

Step 1.

SJB A

Step 2. Wood Species

A ash A

W walnut A

Prices for Steps 1-2.

SJBA \$2800

SJBW \$3295

Step 3. Wood Finish

For ash (A)

662	toasted walnut, matte sheen <input type="checkbox"/> A	+\$0
663	charred walnut, matte sheen <input type="checkbox"/> A	+\$0
664	bronzed walnut, matte sheen <input type="checkbox"/> A	+\$0
665	smoked walnut, matte sheen <input type="checkbox"/> A	+\$0
666	coffee walnut, matte sheen <input type="checkbox"/> A	+\$0
667	smoked paldao, matte sheen <input type="checkbox"/> A	+\$0
669	warm paldao, matte sheen <input type="checkbox"/> A	+\$0
66A	recograin frosty ash, matte sheen <input type="checkbox"/> A	+\$0
66G	recograin wenge, matte sheen <input type="checkbox"/> A	+\$0
66W	recograin walnut, matte sheen <input type="checkbox"/> A	+\$0
677	chocolate ash, matte sheen <input type="checkbox"/> A	+\$0
68R	recograin rosewood, matte sheen <input type="checkbox"/> A	+\$0
68W	recograin walnut, matte sheen <input type="checkbox"/> A	+\$0
69A	recograin frosty ash, matte sheen <input type="checkbox"/> A	+\$0
69G	recograin wenge, matte sheen <input type="checkbox"/> A	+\$0
69R	recograin rosewood, matte sheen <input type="checkbox"/> A	+\$0
69T	recograin teak, matte sheen <input type="checkbox"/> A	+\$0
69W	recograin walnut, matte sheen <input type="checkbox"/> A	+\$0
6A1	white ash, matte sheen <input type="checkbox"/> A	+\$0
6A2	platinum ash, matte sheen <input type="checkbox"/> A	+\$0
6ET	clear on ash, matte sheen <input type="checkbox"/> A	+\$0
6EU	clear on oak, matte sheen <input type="checkbox"/> A	+\$0
6EV	walnut on ash, matte sheen <input type="checkbox"/> A	+\$0
6K1	rift oak, matte sheen <input type="checkbox"/> A	+\$0
6K6	burnt oak, matte sheen <input type="checkbox"/> A	+\$0
ET	clear on ash, matte sheen <input type="checkbox"/> A	+\$0
EU	oak on ash, matte sheen <input type="checkbox"/> A	+\$0
EV	walnut on ash, matte sheen <input type="checkbox"/> A	+\$0
GOU	walnut, matte sheen <input type="checkbox"/> A	+\$0

Reframe High-Back Lounge Chair

continued

HermanMiller Collection—Lounge Seating

For ash (A)

940	sundance cherry on maple, low sheen A	+\$0
943	caramel cherry, low sheen A	+\$0
946	cocoa cherry, low sheen A	+\$0
956	cocoa sapele, low sheen A	+\$0
962	toasted walnut, low sheen A	+\$0
963	charred walnut, low sheen A	+\$0
964	bronzed walnut, low sheen A	+\$0
965	smoked walnut, low sheen A	+\$0
966	coffee walnut, low sheen A	+\$0
967	smoked paldao, low sheen A	+\$0
969	warm paldao, low sheen A	+\$0
96A	recograin frosty ash, low sheen A	+\$0
96G	recograin wenge, low sheen A	+\$0
96W	recograin walnut, low sheen A	+\$0
977	chocolate ash, low sheen A	+\$0
98R	recograin rosewood, low sheen A	+\$0
98W	recograin walnut, low sheen A	+\$0
991	champagne ash, low sheen A	+\$0
998	ebony ash, low sheen A	+\$0
99A	recograin frosty ash, low sheen A	+\$0
99G	recograin wenge, low sheen A	+\$0
99R	recograin rosewood, low sheen A	+\$0
99T	recograin teak, low sheen A	+\$0
99W	recograin walnut, low sheen A	+\$0
9A1	white ash, quarter cut, low sheen A	+\$0
9K1	rift oak, low sheen A	+\$0
9K6	burnt oak, low sheen A	+\$0
ED	aged cherry, low sheen A	+\$0
EK	medium red walnut, low sheen A	+\$0
G2U	light brown walnut, low sheen A	+\$0
G40	dark brown walnut, low sheen A	+\$0
UX	walnut on cherry, low sheen A	+\$0

For walnut (W)

662	toasted walnut, matte sheen A	+\$0
663	charred walnut, matte sheen A	+\$0
664	bronzed walnut, matte sheen A	+\$0
665	smoked walnut, matte sheen A	+\$0
666	coffee walnut, matte sheen A	+\$0
667	smoked paldao, matte sheen A	+\$0
669	warm paldao, matte sheen A	+\$0
66G	recograin wenge, matte sheen A	+\$0
68R	recograin rosewood, matte sheen A	+\$0
69G	recograin wenge, matte sheen A	+\$0
69R	recograin rosewood, matte sheen A	+\$0
6EV	walnut on ash, matte sheen A	+\$0
EV	walnut on ash, matte sheen A	+\$0
GOU	walnut, matte sheen A	+\$0

For walnut (W)

962	toasted walnut, low sheen A	+\$0
963	charred walnut, low sheen A	+\$0
964	bronzed walnut, low sheen A	+\$0
965	smoked walnut, low sheen A	+\$0
966	coffee walnut, low sheen A	+\$0
967	smoked paldao, low sheen A	+\$0
969	warm paldao, low sheen A	+\$0
972	sundance walnut, low sheen A	+\$0
96G	recograin wenge, low sheen A	+\$0
98R	recograin rosewood, low sheen A	+\$0
99G	recograin wenge, low sheen A	+\$0
99R	recograin rosewood, low sheen A	+\$0
EK	medium red walnut, low sheen A	+\$0
G2U	light brown walnut, low sheen A	+\$0
G40	dark brown walnut, low sheen A	+\$0

Reframe High-Back Lounge Chair

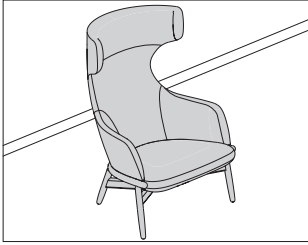
continued

Step 4. Fabric	
Price Category (Geiger) COM <input type="checkbox"/> A	+\$0
Price Category (Geiger) COL <input type="checkbox"/> A	+\$270
Price Category 1	+\$0
Price Category 2	+\$183
Price Category (Geiger) 3	+\$229
Price Category (Geiger) 4	+\$279
Price Category (Geiger) 5	+\$406
Price Category 5	+\$406
Price Category (Geiger) 7	+\$662
Price Category 9	+\$1256
Price Category 11	+\$1620
Price Category (Geiger) 14	+\$2121
Price Category (Geiger) C	+\$205
Price Category (Geiger) G	+\$538
Price Category (Geiger) H	+\$669

Step 5. Fire Retardancy	
NOCAL no cal-133 required <input type="checkbox"/> A	+\$0

Reframe Wing-Back Lounge Chair

SJCA
SJCW



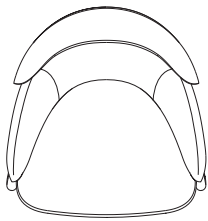
HermanMiller Collection—Lounge Seating

Product Information

Description
This chair has a solid wood frame. Seat and back are composed of rigid and flexible polyurethane foam.

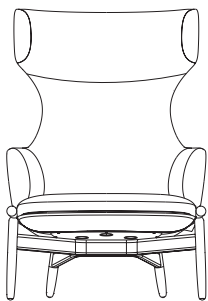
Notes
Customer's Own Material (COM) requires 4 1/4 yards. Customer's Own Leather (COL) requires 81 square feet.

Dimensions

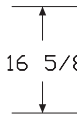


31 1/4"

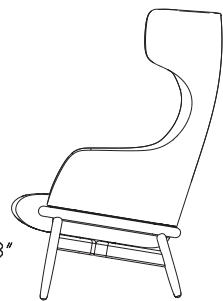
33 1/2"



45 1/4"



16 5/8"



Specification Information

Step 1.

SJC

Step 2. Wood Species

A ash

W walnut

Prices for Steps 1-2.

SJCA \$3000

SJCW \$3495

Step 3. Wood Finish

For ash (A)

662	toasted walnut, matte sheen <input type="checkbox"/>	+\$0
663	charred walnut, matte sheen <input type="checkbox"/>	+\$0
664	bronzed walnut, matte sheen <input type="checkbox"/>	+\$0
665	smoked walnut, matte sheen <input type="checkbox"/>	+\$0
666	coffee walnut, matte sheen <input type="checkbox"/>	+\$0
667	smoked paldao, matte sheen <input type="checkbox"/>	+\$0
669	warm paldao, matte sheen <input type="checkbox"/>	+\$0
66A	recograin frosty ash, matte sheen <input type="checkbox"/>	+\$0
66G	recograin wenge, matte sheen <input type="checkbox"/>	+\$0
66W	recograin walnut, matte sheen <input type="checkbox"/>	+\$0
677	chocolate ash, matte sheen <input type="checkbox"/>	+\$0
68R	recograin rosewood, matte sheen <input type="checkbox"/>	+\$0
68W	recograin walnut, matte sheen <input type="checkbox"/>	+\$0
69A	recograin frosty ash, matte sheen <input type="checkbox"/>	+\$0
69G	recograin wenge, matte sheen <input type="checkbox"/>	+\$0
69R	recograin rosewood, matte sheen <input type="checkbox"/>	+\$0
69T	recograin teak, matte sheen <input type="checkbox"/>	+\$0
69W	recograin walnut, matte sheen <input type="checkbox"/>	+\$0
6A1	white ash, matte sheen <input type="checkbox"/>	+\$0
6A2	platinum ash, matte sheen <input type="checkbox"/>	+\$0
6ET	clear on ash, matte sheen <input type="checkbox"/>	+\$0
6EU	clear on oak, matte sheen <input type="checkbox"/>	+\$0
6EV	walnut on ash, matte sheen <input type="checkbox"/>	+\$0
6K1	rift oak, matte sheen <input type="checkbox"/>	+\$0
6K6	burnt oak, matte sheen <input type="checkbox"/>	+\$0
ET	clear on ash, matte sheen <input type="checkbox"/>	+\$0
EU	oak on ash, matte sheen <input type="checkbox"/>	+\$0
EV	walnut on ash, matte sheen <input type="checkbox"/>	+\$0
GOU	walnut, matte sheen <input type="checkbox"/>	+\$0

Reframe Wing-Back Lounge Chair

continued

For ash (A)

940	sundance cherry on maple, low sheen <input type="checkbox"/>	+\$0
943	caramel cherry, low sheen <input type="checkbox"/>	+\$0
946	cocoa cherry, low sheen <input type="checkbox"/>	+\$0
956	cocoa sapele, low sheen <input type="checkbox"/>	+\$0
962	toasted walnut, low sheen <input type="checkbox"/>	+\$0
963	charred walnut, low sheen <input type="checkbox"/>	+\$0
964	bronzed walnut, low sheen <input type="checkbox"/>	+\$0
965	smoked walnut, low sheen <input type="checkbox"/>	+\$0
966	coffee walnut, low sheen <input type="checkbox"/>	+\$0
967	smoked paldao, low sheen <input type="checkbox"/>	+\$0
969	warm paldao, low sheen <input type="checkbox"/>	+\$0
96A	recograin frosty ash, low sheen <input type="checkbox"/>	+\$0
96G	recograin wenge, low sheen <input type="checkbox"/>	+\$0
96W	recograin walnut, low sheen <input type="checkbox"/>	+\$0
977	chocolate ash, low sheen <input type="checkbox"/>	+\$0
98R	recograin rosewood, low sheen <input type="checkbox"/>	+\$0
98W	recograin walnut, low sheen <input type="checkbox"/>	+\$0
991	champagne ash, low sheen <input type="checkbox"/>	+\$0
998	ebony ash, low sheen <input type="checkbox"/>	+\$0
99A	recograin frosty ash, low sheen <input type="checkbox"/>	+\$0
99G	recograin wenge, low sheen <input type="checkbox"/>	+\$0
99R	recograin rosewood, low sheen <input type="checkbox"/>	+\$0
99T	recograin teak, low sheen <input type="checkbox"/>	+\$0
99W	recograin walnut, low sheen <input type="checkbox"/>	+\$0
9A1	white ash, quarter cut, low sheen <input type="checkbox"/>	+\$0
9K1	rift oak, low sheen <input type="checkbox"/>	+\$0
9K6	burnt oak, low sheen <input type="checkbox"/>	+\$0
ED	aged cherry, low sheen <input type="checkbox"/>	+\$0
EK	medium red walnut, low sheen <input type="checkbox"/>	+\$0
G2U	light brown walnut, low sheen <input type="checkbox"/>	+\$0
G40	dark brown walnut, low sheen <input type="checkbox"/>	+\$0
UX	walnut on cherry, low sheen <input type="checkbox"/>	+\$0

For walnut (W)

662	toasted walnut, matte sheen <input type="checkbox"/>	+\$0
663	charred walnut, matte sheen <input type="checkbox"/>	+\$0
664	bronzed walnut, matte sheen <input type="checkbox"/>	+\$0
665	smoked walnut, matte sheen <input type="checkbox"/>	+\$0
666	coffee walnut, matte sheen <input type="checkbox"/>	+\$0
667	smoked paldao, matte sheen <input type="checkbox"/>	+\$0
669	warm paldao, matte sheen <input type="checkbox"/>	+\$0
66G	recograin wenge, matte sheen <input type="checkbox"/>	+\$0
68R	recograin rosewood, matte sheen <input type="checkbox"/>	+\$0
69G	recograin wenge, matte sheen <input type="checkbox"/>	+\$0
69R	recograin rosewood, matte sheen <input type="checkbox"/>	+\$0
6EV	walnut on ash, matte sheen <input type="checkbox"/>	+\$0
EV	walnut on ash, matte sheen <input type="checkbox"/>	+\$0
GOU	walnut, matte sheen <input type="checkbox"/>	+\$0

For walnut (W)

962	toasted walnut, low sheen <input type="checkbox"/>	+\$0
963	charred walnut, low sheen <input type="checkbox"/>	+\$0
964	bronzed walnut, low sheen <input type="checkbox"/>	+\$0
965	smoked walnut, low sheen <input type="checkbox"/>	+\$0
966	coffee walnut, low sheen <input type="checkbox"/>	+\$0
967	smoked paldao, low sheen <input type="checkbox"/>	+\$0
969	warm paldao, low sheen <input type="checkbox"/>	+\$0
972	sundance walnut, low sheen <input type="checkbox"/>	+\$0
96G	recograin wenge, low sheen <input type="checkbox"/>	+\$0
98R	recograin rosewood, low sheen <input type="checkbox"/>	+\$0
99G	recograin wenge, low sheen <input type="checkbox"/>	+\$0
99R	recograin rosewood, low sheen <input type="checkbox"/>	+\$0
EK	medium red walnut, low sheen <input type="checkbox"/>	+\$0
G2U	light brown walnut, low sheen <input type="checkbox"/>	+\$0
G40	dark brown walnut, low sheen <input type="checkbox"/>	+\$0

Step 4. Fabric

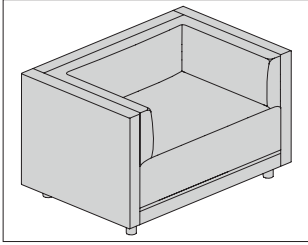
Price Category 5	+\$461
Price Category (Geiger) 5	+\$461
Price Category (Geiger) 7	+\$749
Price Category (Geiger) G	+\$609
Price Category (Geiger) H	+\$759
Price Category (Geiger) COM <input type="checkbox"/>	+\$0
Price Category (Geiger) COL <input type="checkbox"/>	+\$306

Step 5. Fire Retardancy

NOCAL no cal-133 required <input type="checkbox"/>	+\$0
---	------

Rolled Arm Club Chair

SBRA-



HermanMiller Collection—Lounge Seating

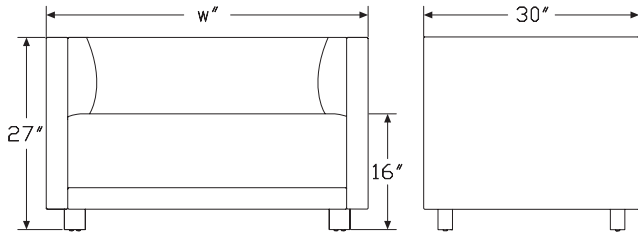
Product Information

Description
 This 43" wide chair is made of plywood with FR foam and Dacron® on the seat and back. The arms consist of FR foam, Dacron, and polyfoam. The legs are solid ash or walnut.

Notes

Customers Own Material (COM) requires 6 yards. Customers Own Leather (COL) requires 108 square feet. See Order Information in Appendices.

Dimensions



Specification Information

Step 1.
SBRA-43 [A] \$3340

Step 2. Wood Finish

Premium Veneer - Low Sheen		
940	sundance cherry on maple [A]	+\$0
943	caramel cherry [A]	+\$0
946	cocoa cherry [A]	+\$0
962	toasted walnut, low sheen [A]	+\$0
963	charred walnut, low sheen [A]	+\$0
964	bronzed walnut, low sheen [A]	+\$0
965	smoked walnut, low sheen [A]	+\$0
966	coffee walnut, low sheen [A]	+\$0
977	chocolate ash, low sheen [A]	+\$0
98R	recograin rosewood [A]	+\$0
991	champagne ash [A]	+\$0
998	ebony ash [A]	+\$0
99A	recograin frosty ash [A]	+\$0
99R	recograin rosewood [A]	+\$0
99T	recograin teak [A]	+\$0
9A1	white ash, quarter cut, low sheen [A]	+\$0
9K1	rift oak, rift cut, low sheen [A]	+\$0
9K6	burnt oak, rift cut, low sheen [A]	+\$0
ED	aged cherry [A]	+\$0
EK	medium red walnut [A]	+\$0
UX	walnut on cherry [A]	+\$0

Rolled Arm Club Chair *continued*

Premium Veneer - Matte		
662	toasted walnut, matte sheen <input type="checkbox"/> A	+\$0
663	charred walnut, matte sheen <input type="checkbox"/> A	+\$0
664	bronzed walnut, matte sheen <input type="checkbox"/> A	+\$0
665	smoked walnut, matte sheen <input type="checkbox"/> A	+\$0
666	coffee walnut, matte sheen <input type="checkbox"/> A	+\$0
667	smoked paldao, quarter cut, matte sheen <input type="checkbox"/> A	+\$0
669	warm paldao, quarter cut, matte sheen <input type="checkbox"/> A	+\$0
66A	recograin frosty ash <input type="checkbox"/> A	+\$0
677	chocolate ash, matte sheen <input type="checkbox"/> A	+\$0
68R	recograin rosewood <input type="checkbox"/> A	+\$0
69A	recograin frosty ash <input type="checkbox"/> A	+\$0
69R	recograin rosewood <input type="checkbox"/> A	+\$0
69T	recograin teak <input type="checkbox"/> A	+\$0
6A1	white ash <input type="checkbox"/> A	+\$0
6K1	rift oak <input type="checkbox"/> A	+\$0
6K6	burnt oak <input type="checkbox"/> A	+\$0
ET	clear on ash <input type="checkbox"/> A	+\$0
EU	oak on ash <input type="checkbox"/> A	+\$0
EV	walnut on ash <input type="checkbox"/> A	+\$0
GOU	natural walnut, flat cut, matte sheen <input type="checkbox"/> A	+\$0

RecoGrain Veneer		
66G	recograin wenge <input type="checkbox"/> A	+\$0
68W	recograin walnut, flat cut, matte sheen <input type="checkbox"/> A	+\$0
69G	recograin wenge <input type="checkbox"/> A	+\$0
69W	recograin walnut, quarter cut, matte sheen <input type="checkbox"/> A	+\$0

Recon Veneer -		
96G	wenge recograin, quarter cut, low sheen <input type="checkbox"/> A	+\$0
98W	recograin walnut, flat cut, low sheen <input type="checkbox"/> A	+\$0
99G	recograin wenge, quarter cut, low sheen <input type="checkbox"/> A	+\$0
99W	recograin walnut, quarter cut, low sheen <input type="checkbox"/> A	+\$0

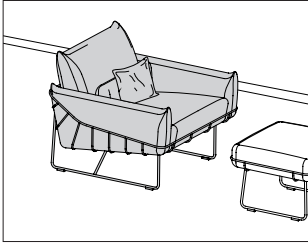
Step 3. Upholstery	
Price Category (Geiger) COM <input type="checkbox"/> A	+\$0
Price Category (Geiger) COL <input type="checkbox"/> A	+\$432
Price Category 1	+\$0
Price Category (Geiger) 2	+\$0
Price Category 2	+\$291
Price Category (Geiger) 3	+\$365
Price Category 3	+\$365
Price Category (Geiger) 4	+\$445
Price Category 4	+\$594
Price Category (Geiger) 5	+\$649
Price Category 5	+\$649
Price Category (Geiger) 6	+\$853

Price Category (Geiger) 7	+\$1057
Price Category (Geiger) 8	+\$1620
Price Category (Geiger) 9	+\$2009
Price Category 9	+\$2009
Price Category (Geiger) 10	+\$2312
Price Category (Geiger) 11	+\$2590
Price Category (Geiger) 14	+\$3393
Price Category (Geiger) C	+\$328
Price Category (Geiger) D	+\$433
Price Category (Geiger) E	+\$526
Price Category (Geiger) F	+\$631
Price Category (Geiger) G	+\$860
Price Category (Geiger) H	+\$1070
Price Category (Geiger) I	+\$1292
Price Category (Geiger) J	+\$1515
Price Category (Geiger) K	+\$1737
Price Category (Geiger) L	+\$1960
Price Category (Geiger) N	+\$2405
Price Category (Geiger) P	+\$2843
Price Category (Geiger) Q	+\$3282
Price Category (Geiger) U	+\$5593
Price Category (Geiger) X	+\$6613

Step 4. Fire Retardancy	
NOCAL no cal-133 required <input type="checkbox"/> A	+\$0
133 cal-133 required <input type="checkbox"/> A	+\$390

Wireframe™ Chair

BK110



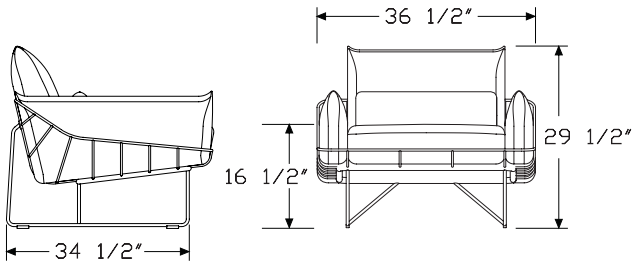
HermanMiller Collection—Lounge Seating

Product Information

Description
This chair has contoured cushions on a separate wire frame structure, featuring SuperSeat™ technology. Lumbar and throw pillows included.

Notes
Fire retardant chair meets CAL 133 requirements.
COM/COL requires 7 yards/126 square feet per chair.
Lumbar and throw pillows are shipped in same material specified for chair cushions.

Dimensions



Specification Information

Step 1.		
BK11000	A	\$4153
Step 2. Frame Finish		
91	white A	+\$0
BK	black A	+\$0
Step 3. Fabric		
Price Category 1		+\$0
Price Category 2		+\$129
Price Category 3		+\$186
Price Category (Geiger) 3		+\$186
Price Category 4		+\$309
Price Category (Geiger) 4		+\$309
Price Category 5		+\$464
Price Category (Geiger) 5		+\$464
Price Category 6		+\$618
Price Category (Geiger) 6		+\$618
Price Category 7		+\$824
Price Category (Geiger) 7		+\$824
Price Category (Geiger) 8		+\$1648
Price Category 9		+\$1339
Price Category (Geiger) 9		+\$1339
Price Category 10		+\$1545
Price Category (Geiger) 10		+\$1545
Price Category 11		+\$1751
Price Category (Geiger) 11		+\$1751
Price Category 14		+\$2472
Price Category B		+\$197
Price Category C		+\$325
Price Category D		+\$412
Price Category E		+\$497
Price Category F		+\$643
Price Category G		+\$835
Price Category H		+\$1400
Price Category (Geiger) H		+\$1046
Price Category I		+\$1600
Price Category J		+\$1015
Price Category K		+\$1193
Price Category L		+\$1371
Price Category M		+\$1550
Price Category N		+\$1728
Price Category O		+\$1906
Price Category P		+\$2084
Price Category Q		+\$2262
Price Category R		+\$4093

Wireframe™ Chair *continued*

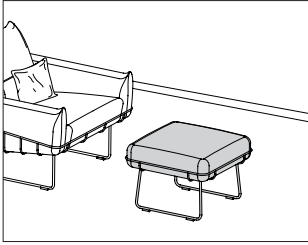
Price Category S	+\$2627
Price Category T	+\$2823
Price Category U	+\$3019
Price Category X	+\$5569
Price Category Y	+\$5864

Step 4. Fire Retardancy

NOCAL not fire retardant <input type="checkbox"/>	+\$0
133 fire retardant <input type="checkbox"/>	+\$244

Wireframe™ Ottoman

BK104



HermanMiller Collection—Lounge Seating

Product Information

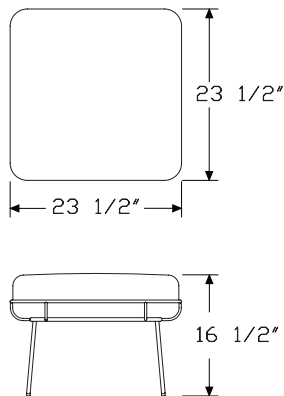
Description

This ottoman has contoured cushions on a separate wire frame structure, featuring SuperSeat™ technology.

Notes

Fire retardant ottoman meets CAL 133 requirements.
 COM/COL requires 2½ yards/36 square feet per ottoman.

Dimensions



Specification Information

Step 1.

BK10400 [A] \$1974

Step 2. Frame Finish

91 white [A] +\$0
BK black [A] +\$0

Step 3. Fabric

Price Category 1	+\$0
Price Category 2	+\$62
Price Category (Geiger) 3	+\$83
Price Category 3	+\$83
Price Category (Geiger) 4	+\$114
Price Category 4	+\$114
Price Category (Geiger) 5	+\$155
Price Category 5	+\$155
Price Category (Geiger) 6	+\$196
Price Category 6	+\$196
Price Category (Geiger) 7	+\$258
Price Category 7	+\$258
Price Category 8	+\$1648
Price Category (Geiger) 8	+\$1648
Price Category (Geiger) 9	+\$397
Price Category 9	+\$397
Price Category (Geiger) 10	+\$464
Price Category 10	+\$464
Price Category (Geiger) 11	+\$536
Price Category 11	+\$536
Price Category 14	+\$742
Price Category B	+\$64
Price Category C	+\$107
Price Category D	+\$147
Price Category E	+\$178
Price Category F	+\$230
Price Category G	+\$298
Price Category (Geiger) H	+\$423
Price Category H	+\$363
Price Category I	+\$426
Price Category J	+\$490
Price Category K	+\$553
Price Category L	+\$617
Price Category M	+\$681
Price Category N	+\$744
Price Category O	+\$808
Price Category P	+\$871
Price Category Q	+\$938

Wireframe™ Ottoman *continued*

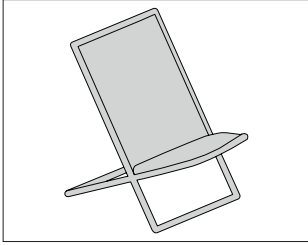
Price Category R	+\$1334
Price Category S	+\$1078
Price Category T	+\$1148
Price Category U	+\$1218
Price Category X	+\$1815
Price Category Y	+\$1911

Step 4. Fire Retardancy

NOCAL not fire retardant <input type="checkbox"/>	+\$0
133 fire retardant <input type="checkbox"/>	+\$98

Scissor Chair

SBSC-
SBSD-



HermanMiller Collection—Lounge Seating

Product Information

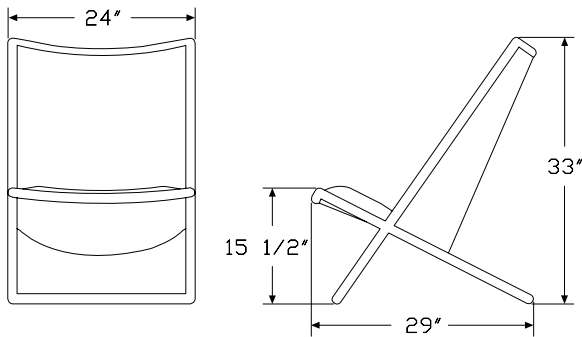
Description

The frame of this chair is solid ash. The seat has foam and Dacron® over plywood. The back is FR foam over hardwood insert.

Notes

Customers Own Material (COM) requires 3½ yards. Customers Own Leather (COL) requires 58 square feet. See Order Information in Appendices.

Dimensions



Specification Information

Step 1.

SBS

Step 2. Frame

C-1098 solid ash

D-1099 welded tubular steel

Prices for Steps 1-2.

SBSC-1098 \$2570

SBSD-1099 \$2870

Step 3. Wood Finish

For solid ash (C-1098)

Premium Veneer - Low Sheen

932	sundance anigre <input type="checkbox"/>	+\$0
933	caramel anigre <input type="checkbox"/>	+\$0
934	henna anigre <input type="checkbox"/>	+\$0
940	sundance cherry on maple <input type="checkbox"/>	+\$0
943	caramel cherry <input type="checkbox"/>	+\$0
946	cocoa cherry <input type="checkbox"/>	+\$0
956	cocoa sapele <input type="checkbox"/>	+\$0
962	toasted walnut, low sheen <input type="checkbox"/>	+\$0
963	charred walnut, low sheen <input type="checkbox"/>	+\$0
964	bronzed walnut, low sheen <input type="checkbox"/>	+\$0
965	smoked walnut, low sheen <input type="checkbox"/>	+\$0
966	coffee walnut, low sheen <input type="checkbox"/>	+\$0
967	smoked paldao, low sheen <input type="checkbox"/>	+\$0
969	warm paldao, low sheen <input type="checkbox"/>	+\$0
972	sundance walnut <input type="checkbox"/>	+\$0
977	chocolate ash, low sheen <input type="checkbox"/>	+\$0
98R	recograin rosewood <input type="checkbox"/>	+\$0
991	champagne ash <input type="checkbox"/>	+\$0
998	ebony ash <input type="checkbox"/>	+\$0
99A	recograin frosty ash <input type="checkbox"/>	+\$0
99R	recograin rosewood <input type="checkbox"/>	+\$0
99T	recograin teak <input type="checkbox"/>	+\$0
9A1	white ash, quarter cut, low sheen <input type="checkbox"/>	+\$0
9K1	rift oak, rift cut, low sheen <input type="checkbox"/>	+\$0
9K6	burnt oak, rift cut, low sheen <input type="checkbox"/>	+\$0
ED	aged cherry <input type="checkbox"/>	+\$0
EK	medium red walnut <input type="checkbox"/>	+\$0
G2U	light brown walnut, low sheen <input type="checkbox"/>	+\$0
G40	dark brown walnut, low sheen <input type="checkbox"/>	+\$0
UX	walnut on cherry <input type="checkbox"/>	+\$0

Premium Veneer - Matte		
662	toasted walnut, matte sheen <input type="checkbox"/> A	+\$0
663	charred walnut, matte sheen <input type="checkbox"/> A	+\$0
664	bronzed walnut, matte sheen <input type="checkbox"/> A	+\$0
665	smoked walnut, matte sheen <input type="checkbox"/> A	+\$0
666	coffee walnut, matte sheen <input type="checkbox"/> A	+\$0
667	smoked paldao, quarter cut, matte sheen <input type="checkbox"/> A	+\$0
669	warm paldao, quarter cut, matte sheen <input type="checkbox"/> A	+\$0
66A	recograin frosty ash <input type="checkbox"/> A	+\$0
677	chocolate ash, matte sheen <input type="checkbox"/> A	+\$0
68R	recograin rosewood <input type="checkbox"/> A	+\$0
69A	recograin frosty ash <input type="checkbox"/> A	+\$0
69R	recograin rosewood <input type="checkbox"/> A	+\$0
69T	recograin teak <input type="checkbox"/> A	+\$0
6A1	white ash <input type="checkbox"/> A	+\$0
6K1	rift oak <input type="checkbox"/> A	+\$0
6K6	burnt oak <input type="checkbox"/> A	+\$0
ET	clear on ash <input type="checkbox"/> A	+\$0
EU	oak on ash <input type="checkbox"/> A	+\$0
EV	walnut on ash <input type="checkbox"/> A	+\$0
GOU	natural walnut, flat cut, matte sheen <input type="checkbox"/> A	+\$0

RecoGrain Veneer		
66G	recograin wenge <input type="checkbox"/> A	+\$0
68W	recograin walnut, flat cut, matte sheen <input type="checkbox"/> A	+\$0
69G	recograin wenge <input type="checkbox"/> A	+\$0
69W	recograin walnut, quarter cut, matte sheen <input type="checkbox"/> A	+\$0

Recon Veneer -		
96G	wenge recograin, quarter cut, low sheen <input type="checkbox"/> A	+\$0
98W	recograin walnut, flat cut, low sheen <input type="checkbox"/> A	+\$0
99G	recograin wenge, quarter cut, low sheen <input type="checkbox"/> A	+\$0
99W	recograin walnut, quarter cut, low sheen <input type="checkbox"/> A	+\$0

Step 4. Upholstery	
Price Category (Geiger) 1	+\$142
Price Category 1	+\$0
Price Category (Geiger) 2	+\$0
Price Category 2	+\$170
Price Category (Geiger) 3	+\$214
Price Category 3	+\$214
Price Category (Geiger) 4	+\$260
Price Category 4	+\$260
Price Category (Geiger) 5	+\$380
Price Category 5	+\$380
Price Category (Geiger) 6	+\$498
Price Category (Geiger) 7	+\$617

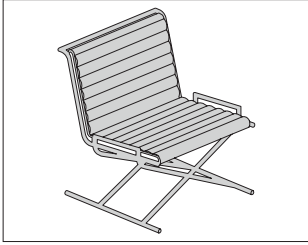
Price Category (Geiger) 8	+\$945
Price Category (Geiger) 9	+\$1173
Price Category 9	+\$1173
Price Category (Geiger) 10	+\$1349
Price Category (Geiger) 11	+\$1512
Price Category (Geiger) 14	+\$1980
Price Category (Geiger) A	+\$199
Price Category (Geiger) B	+\$217
Price Category (Geiger) C	+\$235
Price Category (Geiger) D	+\$271
Price Category (Geiger) E	+\$307
Price Category (Geiger) F	+\$343
Price Category (Geiger) G	+\$380
Price Category (Geiger) H	+\$416
Price Category (Geiger) I	+\$754
Price Category (Geiger) J	+\$469
Price Category (Geiger) K	+\$524
Price Category (Geiger) L	+\$577
Price Category (Geiger) M	+\$649
Price Category (Geiger) N	+\$721
Price Category (Geiger) O	+\$1533
Price Category (Geiger) P	+\$794
Price Category (Geiger) Q	+\$1507
Price Category (Geiger) R	+\$2668
Price Category (Geiger) S	+\$2867
Price Category (Geiger) U	+\$3264
Price Category (Geiger) V	+\$3461
Price Category (Geiger) X	+\$3858
Price Category (Geiger) Y	+\$4057
Price Category (Geiger) COM <input type="checkbox"/> A	+\$0
Price Category (Geiger) COL <input type="checkbox"/> A	+\$252

Step 5. Base Finish	
<i>For welded tubular steel (D-1099)</i>	
CHR chrome <input type="checkbox"/> A	+\$0
SAC satin chrome <input type="checkbox"/> A	+\$0

Step 6. Fire Retardancy	
NOCAL not fire retardant <input type="checkbox"/> A	+\$0
133 fire retardant <input type="checkbox"/> A	+\$228

Sled Chair

SBSU-



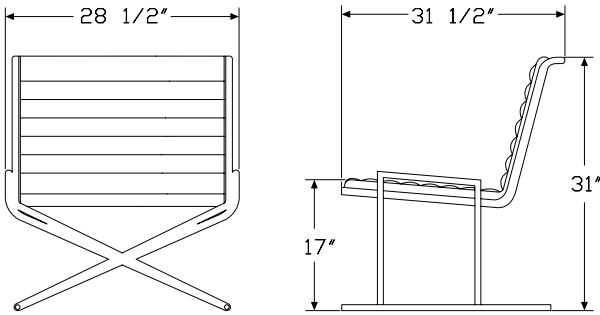
HermanMiller Collection—Lounge Seating

Product Information

Description
 This chair has a welded tubular steel frame. The seat consists of foam and Dacron® over plywood. The back is FR foam over hardwood insert.

Notes
 Customers Own Material (COM) requires 3 yards. Customers Own Leather (COL) requires 54 square feet. See Order Information in Appendices.

Dimensions



Specification Information

Step 1.

SBS **A**

Step 2. Material

U-1060 upholstery **A**

Prices for Steps 1-2.

SBSU-1060 \$4300

Step 3. Upholstery

Price Category (Geiger) 1	+\$121
Price Category 1	+\$0
Price Category (Geiger) 2	+\$146
Price Category 2	+\$146
Price Category (Geiger) 3	+\$183
Price Category 3	+\$214
Price Category (Geiger) 4	+\$223
Price Category 4	+\$223
Price Category (Geiger) 5	+\$325
Price Category 5	+\$325
Price Category (Geiger) 6	+\$427
Price Category (Geiger) 7	+\$529
Price Category (Geiger) 8	+\$810
Price Category (Geiger) 9	+\$1005
Price Category 9	+\$1005
Price Category (Geiger) 10	+\$1156
Price Category (Geiger) 11	+\$1295
Price Category (Geiger) 14	+\$1697
Price Category (Geiger) A	+\$170
Price Category (Geiger) B	+\$186
Price Category (Geiger) C	+\$201
Price Category (Geiger) D	+\$232
Price Category (Geiger) E	+\$263
Price Category (Geiger) F	+\$294
Price Category (Geiger) G	+\$325
Price Category (Geiger) H	+\$356
Price Category (Geiger) I	+\$646
Price Category (Geiger) J	+\$402
Price Category (Geiger) K	+\$449
Price Category (Geiger) L	+\$495
Price Category (Geiger) M	+\$557
Price Category (Geiger) N	+\$618
Price Category (Geiger) O	+\$1314
Price Category (Geiger) P	+\$680
Price Category (Geiger) Q	+\$1391
Price Category (Geiger) R	+\$2287

Sled Chair *continued*

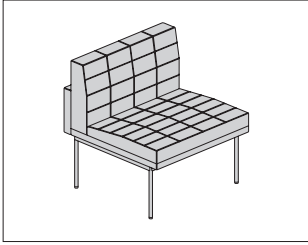
Price Category (Geiger) S	+\$2457
Price Category (Geiger) V	+\$2967
Price Category (Geiger) X	+\$3307
Price Category (Geiger) COM <input type="checkbox"/>	+\$0
Price Category (Geiger) COL <input type="checkbox"/>	+\$216

Step 4. Base Finish		
BNZ	bronze <input type="checkbox"/>	+\$0
CHR	chrome <input type="checkbox"/>	+\$0
SAC	satin chrome <input type="checkbox"/>	+\$0

Step 5. Fire Retardancy		
NOCAL	not fire retardant <input type="checkbox"/>	+\$0
133	fire retardant <input type="checkbox"/>	+\$195

Tuxedo Component Lounge™ Club Chair

ST1AN
ST1AQ
ST1NN
ST1NQ



Product Information

Description

This club chair has a foam and Dacron® seat with a painted or plated steel base.

Notes

Customer's Own Material (COM)/Customer's Own Leather (COL) requires the following:

Type—COM—COL

ST1NN—3¾ yards—67½ square feet

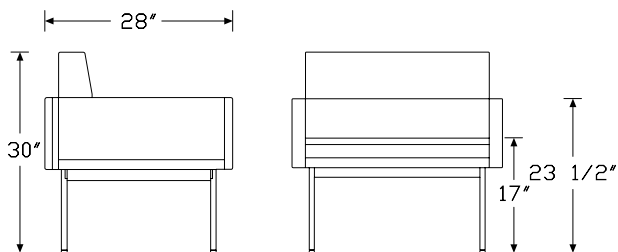
ST1NQ—3¾ yards—67½ square feet

ST1AN—5½ yards—99 square feet

ST1AQ—5½ yards—99 square feet

See Order Information in Appendices for more information.

Dimensions



Specification Information

Step 1.

ST1 A

Step 2. Arms

N no arms A

A arms A

Step 3. Upholstery Type

N not quilted A

Q quilted A

Prices for Steps 1-3.

ST1NN	\$2265
ST1NQ	\$2435
ST1AN	\$2870
ST1AQ	\$2980

Step 4. Upholstery

For not quilted (N)

	N	A
Price Category (Geiger) 1	+\$151	222
Price Category 1	+\$0	0
Price Category (Geiger) 2	+\$182	267
Price Category 2	+\$182	267
Price Category (Geiger) 3	+\$228	335
Price Category 3	+\$228	335
Price Category (Geiger) 4	+\$279	408
Price Category 4	+\$279	408
Price Category (Geiger) 5	+\$406	596
Price Category 5	+\$406	596
Price Category (Geiger) 6	+\$534	782
Price Category (Geiger) 7	+\$661	970
Price Category (Geiger) 8	+\$1013	1485
Price Category (Geiger) 9	+\$1256	1842
Price Category 9	+\$1842	1842
Price Category (Geiger) 10	+\$1446	2119
Price Category (Geiger) 11	+\$1619	2375
Price Category 14	+\$2121	3111
Price Category (Geiger) A	+\$128	188
Price Category (Geiger) C	+\$205	301
Price Category (Geiger) D	+\$271	397
Price Category (Geiger) E	+\$329	483
Price Category (Geiger) F	+\$395	578
Price Category (Geiger) G	+\$537	788
Price Category (Geiger) H	+\$669	981

Tuxedo Component Lounge™ Club Chair *continued*

Price Category (Geiger) I	+\$808	1185
Price Category (Geiger) J	+\$947	1389
Price Category (Geiger) K	+\$1086	1593
Price Category (Geiger) L	+\$1225	1797
Price Category (Geiger) M	+\$1364	2001
Price Category (Geiger) N	+\$1503	2205
Price Category (Geiger) O	+\$1642	2409
Price Category (Geiger) P	+\$1777	2606
Price Category (Geiger) Q	+\$2051	3009
Price Category (Geiger) R	+\$3284	4193
Price Category (Geiger) S	+\$3071	4505
Price Category (Geiger) V	+\$3708	5439
Price Category (Geiger) X	+\$4134	6062
Price Category (Geiger) Y	+\$4346	6374
Price Category (Geiger) COM <input type="checkbox"/>	+\$0	0
Price Category (Geiger) COL <input type="checkbox"/>	+\$270	396

For quilted (Q)

	N	A
Price Category (Geiger) 1	+\$151	222
Price Category 1	+\$0	0
Price Category (Geiger) 2	+\$182	267
Price Category 2	+\$182	267
Price Category (Geiger) 3	+\$228	335
Price Category 3	+\$228	335
Price Category (Geiger) 4	+\$279	408
Price Category 4	+\$279	408
Price Category (Geiger) 5	+\$406	596
Price Category 5	+\$406	596
Price Category (Geiger) 6	+\$534	782
Price Category (Geiger) 7	+\$661	970
Price Category (Geiger) 8	+\$1013	1485
Price Category (Geiger) 9	+\$1256	1842
Price Category 9	+\$1842	1842
Price Category (Geiger) 10	+\$1446	2119
Price Category (Geiger) 11	+\$1619	2375
Price Category 14	+\$2121	3111
Price Category (Geiger) A	+\$128	188
Price Category (Geiger) C	+\$205	301
Price Category (Geiger) D	+\$271	397
Price Category (Geiger) E	+\$329	483
Price Category (Geiger) F	+\$395	578
Price Category (Geiger) G	+\$537	788
Price Category (Geiger) H	+\$669	981
Price Category (Geiger) I	+\$808	1185
Price Category (Geiger) J	+\$947	1389
Price Category (Geiger) K	+\$1086	1593

Price Category (Geiger) L	+\$1225	1797
Price Category (Geiger) M	+\$1364	2001
Price Category (Geiger) N	+\$1503	2205
Price Category (Geiger) O	+\$1642	2409
Price Category (Geiger) P	+\$1777	2606
Price Category (Geiger) Q	+\$2051	3009
Price Category (Geiger) R	+\$3284	4193
Price Category (Geiger) S	+\$3071	4505
Price Category (Geiger) V	+\$3708	5439
Price Category (Geiger) COM <input type="checkbox"/>	+\$0	0
Price Category (Geiger) COL <input type="checkbox"/>	+\$270	396

Step 5. Base Finish

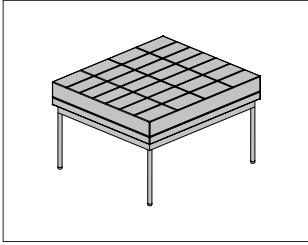
926 black <input type="checkbox"/>	+\$0
AS arctic silver <input type="checkbox"/>	+\$0
WHT white <input type="checkbox"/>	+\$0
BNZ bronze <input type="checkbox"/>	+\$307
CHR chrome <input type="checkbox"/>	+\$307
SAC satin chrome <input type="checkbox"/>	+\$307

Step 6. Fire Retardancy

	N	A
NOCAL not fire retardant <input type="checkbox"/>	+\$0	0
133 fire retardant <input type="checkbox"/>	+\$244	358

Tuxedo Component Lounge™
Ottoman

ST1BN
ST1BQ



HermanMiller Collection—Lounge Seating

Product Information

Description

This 17"-high ottoman has a foam and Dacron® seat with a painted or plated steel base.

Notes

Customer's Own Material (COM)/Customer's Own Leather (COL) requires the following:

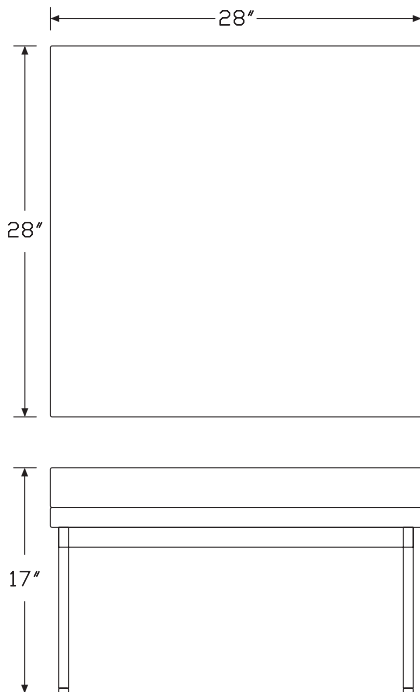
Type—COM—COL

Not quilted—1½ yards—27 square feet

Quilted—1½ yards—27 square feet

See Order Information in Appendices for more information.

Dimensions



Specification Information

Step 1.

ST1B A

Step 2. Upholstery Type

N not quilted A

Q quilted A

Prices for Steps 1-2.

ST1BN	\$1280
ST1BQ	\$1315

Step 3. Upholstery

For quilted (Q)

Price Category (Geiger) 1	+\$21
Price Category 1	+\$0
Price Category (Geiger) 2	+\$74
Price Category 2	+\$74
Price Category (Geiger) 3	+\$92
Price Category 3	+\$92
Price Category (Geiger) 4	+\$112
Price Category 4	+\$112
Price Category (Geiger) 5	+\$163
Price Category 5	+\$163
Price Category (Geiger) 6	+\$214
Price Category (Geiger) 7	+\$265
Price Category (Geiger) 8	+\$405
Price Category (Geiger) 9	+\$503
Price Category 9	+\$503
Price Category (Geiger) 10	+\$578
Price Category (Geiger) 11	+\$648
Price Category (Geiger) 14	+\$849
Price Category (Geiger) A	+\$52
Price Category (Geiger) C	+\$83
Price Category (Geiger) D	+\$109
Price Category (Geiger) E	+\$132
Price Category (Geiger) F	+\$158
Price Category (Geiger) G	+\$216
Price Category (Geiger) H	+\$268
Price Category (Geiger) I	+\$324
Price Category (Geiger) J	+\$380
Price Category (Geiger) K	+\$435
Price Category (Geiger) L	+\$491
Price Category (Geiger) M	+\$546
Price Category (Geiger) N	+\$602
Price Category (Geiger) O	+\$658

Tuxedo Component Lounge™ Ottoman *continued*

Price Category (Geiger) P	+\$711
Price Category (Geiger) Q	+\$821
Price Category (Geiger) R	+\$1144
Price Category (Geiger) S	+\$1229
Price Category (Geiger) V	+\$1484
Price Category (Geiger) COM <input type="checkbox"/>	+\$0
Price Category (Geiger) COL <input type="checkbox"/>	+\$108

For not quilted (N)

Price Category (Geiger) 1	+\$21
Price Category 1	+\$0
Price Category (Geiger) 2	+\$74
Price Category 2	+\$74
Price Category (Geiger) 3	+\$92
Price Category 3	+\$92
Price Category (Geiger) 4	+\$112
Price Category 4	+\$112
Price Category (Geiger) 5	+\$163
Price Category 5	+\$163
Price Category (Geiger) 6	+\$214
Price Category (Geiger) 7	+\$265
Price Category (Geiger) 8	+\$405
Price Category (Geiger) 9	+\$503
Price Category 9	+\$503
Price Category (Geiger) 10	+\$578
Price Category (Geiger) 11	+\$648
Price Category (Geiger) 14	+\$849
Price Category (Geiger) A	+\$52
Price Category (Geiger) C	+\$83
Price Category (Geiger) D	+\$109
Price Category (Geiger) E	+\$132
Price Category (Geiger) F	+\$158
Price Category (Geiger) G	+\$216
Price Category (Geiger) H	+\$268
Price Category (Geiger) I	+\$324
Price Category (Geiger) J	+\$380
Price Category (Geiger) K	+\$435
Price Category (Geiger) L	+\$491
Price Category (Geiger) M	+\$546
Price Category (Geiger) N	+\$602
Price Category (Geiger) O	+\$658
Price Category (Geiger) P	+\$711
Price Category (Geiger) Q	+\$821
Price Category (Geiger) R	+\$1144
Price Category (Geiger) S	+\$1229
Price Category (Geiger) V	+\$1484
Price Category (Geiger) X	+\$1654

Price Category (Geiger) Y	+\$1739
Price Category (Geiger) COM <input type="checkbox"/>	+\$0
Price Category (Geiger) COL <input type="checkbox"/>	+\$108

Step 4. Base Finish

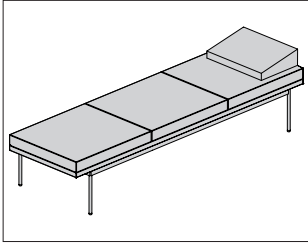
926 black <input type="checkbox"/>	+\$0
AS arctic silver <input type="checkbox"/>	+\$0
WHT white <input type="checkbox"/>	+\$0
BNZ bronze <input type="checkbox"/>	+\$307
CHR chrome <input type="checkbox"/>	+\$307
SAC satin chrome <input type="checkbox"/>	+\$307

Step 5. Fire Retardancy

NOCAL not fire retardant <input type="checkbox"/>	+\$0
133 fire retardant <input type="checkbox"/>	+\$98

Tuxedo Component Lounge™
Daybed

ST3DN
ST3DQ



HermanMiller Collection—Lounge Seating

Product Information

Description

This 17"-high daybed has a foam and Dacron® seat with a painted or plated steel base.

Notes

Customer's Own Material (COM)/Customer's Own Leather (COL) requires the following:

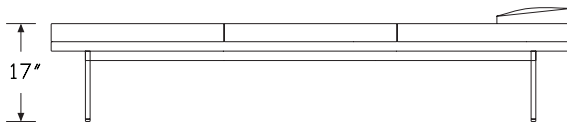
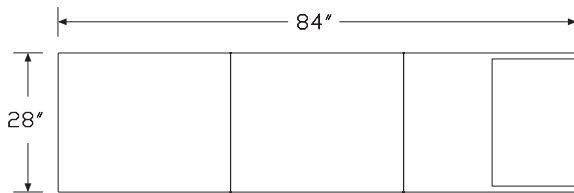
Type—COM—COL

Not quilted—6½ yards—117 square feet

Quilted—6½ yards—117 square feet

See Order Information in Appendices for more information.

Dimensions



Specification Information

Step 1.

ST3D A

Step 2. Upholstery Type

N not quilted A

Q quilted A

Prices for Steps 1-2.

ST3DN	\$3215
ST3DQ	\$3280

Step 3. Upholstery

For quilted (Q)

Price Category (Geiger) 1	+\$262
Price Category 1	+\$0
Price Category (Geiger) 2	+\$316
Price Category 2	+\$316
Price Category (Geiger) 3	+\$396
Price Category 3	+\$396
Price Category (Geiger) 4	+\$483
Price Category 4	+\$483
Price Category (Geiger) 5	+\$704
Price Category 5	+\$704
Price Category (Geiger) 6	+\$924
Price Category (Geiger) 7	+\$1146
Price Category (Geiger) 8	+\$1755
Price Category (Geiger) 9	+\$2177
Price Category 9	+\$2177
Price Category (Geiger) 10	+\$2504
Price Category (Geiger) 11	+\$2806
Price Category (Geiger) 14	+\$3677
Price Category (Geiger) A	+\$222
Price Category (Geiger) C	+\$356
Price Category (Geiger) D	+\$469
Price Category (Geiger) E	+\$570
Price Category (Geiger) F	+\$683
Price Category (Geiger) G	+\$932
Price Category (Geiger) H	+\$1159
Price Category (Geiger) I	+\$1400
Price Category (Geiger) J	+\$1641
Price Category (Geiger) K	+\$1882
Price Category (Geiger) L	+\$2123
Price Category (Geiger) M	+\$2364
Price Category (Geiger) N	+\$2605
Price Category (Geiger) O	+\$2846

Tuxedo Component Lounge™

Daybed *continued*

Price Category (Geiger) P	+\$3080
Price Category (Geiger) Q	+\$3556
Price Category (Geiger) R	+\$4955
Price Category (Geiger) S	+\$5324
Price Category (Geiger) V	+\$6428
Price Category (Geiger) COM <input type="checkbox"/>	+\$0
Price Category (Geiger) COL <input type="checkbox"/>	+\$468

For not quilted (N)

Price Category (Geiger) 1	+\$262
Price Category 1	+\$0
Price Category (Geiger) 2	+\$316
Price Category 2	+\$316
Price Category (Geiger) 3	+\$396
Price Category 3	+\$396
Price Category (Geiger) 4	+\$483
Price Category 4	+\$483
Price Category (Geiger) 5	+\$704
Price Category 5	+\$704
Price Category (Geiger) 6	+\$924
Price Category (Geiger) 7	+\$1146
Price Category (Geiger) 8	+\$1755
Price Category (Geiger) 9	+\$2177
Price Category 9	+\$2177
Price Category (Geiger) 10	+\$2504
Price Category (Geiger) 11	+\$2806
Price Category (Geiger) 14	+\$3677
Price Category (Geiger) A	+\$222
Price Category (Geiger) C	+\$356
Price Category (Geiger) D	+\$469
Price Category (Geiger) E	+\$570
Price Category (Geiger) F	+\$683
Price Category (Geiger) G	+\$932
Price Category (Geiger) H	+\$1159
Price Category (Geiger) I	+\$1400
Price Category (Geiger) J	+\$1641
Price Category (Geiger) K	+\$1882
Price Category (Geiger) L	+\$2123
Price Category (Geiger) M	+\$2364
Price Category (Geiger) N	+\$2605
Price Category (Geiger) O	+\$2846
Price Category (Geiger) P	+\$3080
Price Category (Geiger) Q	+\$3556
Price Category (Geiger) R	+\$4955
Price Category (Geiger) S	+\$5324
Price Category (Geiger) V	+\$6428
Price Category (Geiger) X	+\$7164

Price Category (Geiger) Y	+\$7533
Price Category (Geiger) COM <input type="checkbox"/>	+\$0
Price Category (Geiger) COL <input type="checkbox"/>	+\$468

Step 4. Base Finish

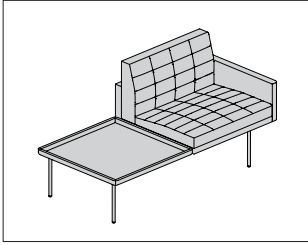
926 black <input type="checkbox"/>	+\$0
AS arctic silver <input type="checkbox"/>	+\$0
WHT white <input type="checkbox"/>	+\$0
BNZ bronze <input type="checkbox"/>	+\$671
CHR chrome <input type="checkbox"/>	+\$671
SAC satin chrome <input type="checkbox"/>	+\$671

Step 5. Fire Retardancy

NOCAL not fire retardant <input type="checkbox"/>	+\$0
133 fire retardant <input type="checkbox"/>	+\$358

Tuxedo Component Lounge with Table - One Seat

SX1AL
SX1AR
SX1NL
SX1NR



Product Information

Description

This 1-seat lounge with table has a steel plated metal base with cushions made of polyfoam and DACRON®. Cushions are quilted or not quilted. The unit is available with an arm on 1 side, or without arms, and with the table on either the left or right side. Table top is solid wood 1½" thick. Fire retardant lounge meets CAL 133 requirements.

Notes

Handedness is determined from a seated position.

Customer's Own Material (COM)/Customer's Own Leather (COL) requires the following:

Type—COM—COL

SX1ALN—4¾ yards—85½ square feet

SX1ALQ—4¾ yards—85½ square feet

SX1ARN—4¾ yards—85½ square feet

SX1ARQ—4¾ yards—85½ square feet

SX1NLN—3¾ yards—67½ square feet

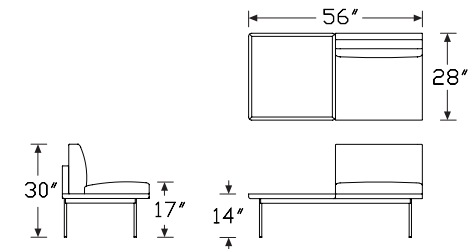
SX1NLQ—3¾ yards—67½ square feet

SX1NRN—3¾ yards—67½ square feet

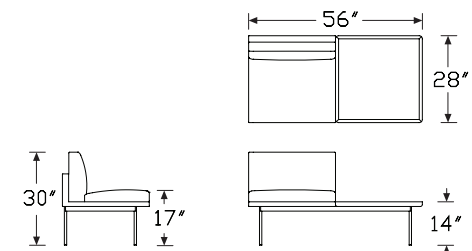
SX1NRQ—3¾ yards—67½ square feet

See Order Information in Appendices for more information.

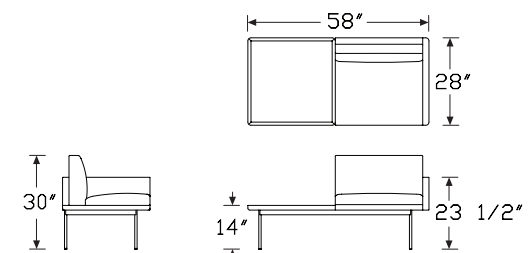
Dimensions



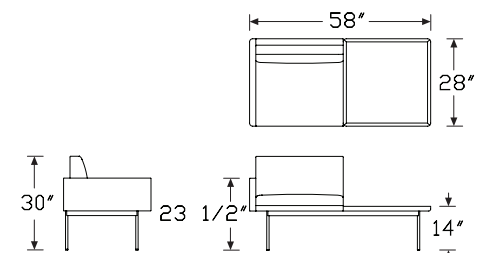
Tuxedo 1 Seat Armless, Table Right



Tuxedo 1 Seat Armless, Table Left



Tuxedo 1 Seat Arm, Table Right



Tuxedo 1 Seat Arm, Table Left

Tuxedo Component Lounge with Table - One Seat *continued*

Specification Information

Step 1.

SX1

Step 2. Arms

A arm 1 side

N no arms

Step 3. Handing

L seating left, table right

R seating right, table left

Step 4. Upholstery Type

N not quilted

Q quilted

Prices for Steps 1-4.

SX1AL N	\$3695
Q	\$3825

SX1AR N	\$3695
Q	\$3825

SX1NL N	\$3370
Q	\$3505

SX1NR N	\$3370
Q	\$3505

Step 5. Wood Finish

Matte Finishes

662	toasted walnut, matte sheen <input type="checkbox"/>	+\$0
663	charred walnut, matte sheen <input type="checkbox"/>	+\$0
664	bronzed walnut, matte sheen <input type="checkbox"/>	+\$0
665	smoked walnut, matte sheen <input type="checkbox"/>	+\$0
666	coffee walnut, matte sheen <input type="checkbox"/>	+\$0
667	smoked paldao, quarter cut, matte sheen <input type="checkbox"/>	+\$0
669	warm paldao, quarter cut, matte sheen <input type="checkbox"/>	+\$0
66A	recograin frosty ash <input type="checkbox"/>	+\$0
677	chocolate ash, matte sheen <input type="checkbox"/>	+\$0
68R	recograin rosewood <input type="checkbox"/>	+\$0
69A	recograin frosty ash <input type="checkbox"/>	+\$0
69R	recograin rosewood <input type="checkbox"/>	+\$0
69T	recograin teak <input type="checkbox"/>	+\$0
6K1	rift oak <input type="checkbox"/>	+\$0
ET	clear on ash <input type="checkbox"/>	+\$0

EU	oak on ash <input type="checkbox"/>	+\$0
EV	walnut on ash <input type="checkbox"/>	+\$0
GOU	natural walnut, flat cut, matte sheen <input type="checkbox"/>	+\$0
6A1	white ash <input type="checkbox"/>	+\$0
6K6	burnt oak <input type="checkbox"/>	+\$0
932	sundance anigre <input type="checkbox"/>	+\$0
933	caramel anigre <input type="checkbox"/>	+\$0
934	henna anigre <input type="checkbox"/>	+\$0
940	sundance cherry on maple <input type="checkbox"/>	+\$0
962	toasted walnut, low sheen <input type="checkbox"/>	+\$0
963	charred walnut, low sheen <input type="checkbox"/>	+\$0
964	bronzed walnut, low sheen <input type="checkbox"/>	+\$0
965	smoked walnut, low sheen <input type="checkbox"/>	+\$0
966	coffee walnut, low sheen <input type="checkbox"/>	+\$0
967	smoked paldao, low sheen <input type="checkbox"/>	+\$0
969	warm paldao, low sheen <input type="checkbox"/>	+\$0
972	sundance walnut <input type="checkbox"/>	+\$0
977	chocolate ash, low sheen <input type="checkbox"/>	+\$0
98R	recograin rosewood <input type="checkbox"/>	+\$0
991	champagne ash <input type="checkbox"/>	+\$0
99A	recograin frosty ash <input type="checkbox"/>	+\$0
99R	recograin rosewood <input type="checkbox"/>	+\$0
99T	recograin teak <input type="checkbox"/>	+\$0
9A1	white ash, quarter cut, low sheen <input type="checkbox"/>	+\$0
9K1	rift oak, rift cut, low sheen <input type="checkbox"/>	+\$0
9K6	burnt oak, rift cut, low sheen <input type="checkbox"/>	+\$0
G2U	light brown walnut, low sheen <input type="checkbox"/>	+\$0
G40	dark brown walnut, low sheen <input type="checkbox"/>	+\$0
UX	walnut on cherry <input type="checkbox"/>	+\$0
943	caramel cherry <input type="checkbox"/>	+\$0
946	cocoa cherry <input type="checkbox"/>	+\$0
956	cocoa sapele <input type="checkbox"/>	+\$0
998	ebony ash <input type="checkbox"/>	+\$0
ED	aged cherry <input type="checkbox"/>	+\$0
EK	medium red walnut <input type="checkbox"/>	+\$0

RecoGrain Veneer

66G	recograin wenge <input type="checkbox"/>	+\$0
68W	recograin walnut, flat cut, matte sheen <input type="checkbox"/>	+\$0
69G	recograin wenge <input type="checkbox"/>	+\$0
69W	recograin walnut, quarter cut, matte sheen <input type="checkbox"/>	+\$0

Recon Veneer -

96G	wenge recograin, quarter cut, low sheen <input type="checkbox"/>	+\$0
98W	recograin walnut, flat cut, low sheen <input type="checkbox"/>	+\$0
99G	recograin wenge, quarter cut, low sheen <input type="checkbox"/>	+\$0
99W	recograin walnut, quarter cut, low sheen <input type="checkbox"/>	+\$0

Tuxedo Component Lounge with
Table - One Seat *continued*

HermanMiller Collection—Lounge Seating

Step 6. Fabric

For arm 1 side (A) with not quilted (N)

Price Category (Geiger) G	+\$0
Price Category (Geiger) COM A	+\$0
Price Category (Geiger) COL A	+\$342
Price Category 1	+\$0
Price Category (Geiger) 2	+\$0
Price Category 2	+\$230
Price Category (Geiger) 3	+\$289
Price Category 3	+\$289
Price Category (Geiger) 4	+\$353
Price Category (Geiger) 5	+\$514
Price Category 5	+\$514
Price Category (Geiger) 6	+\$676
Price Category (Geiger) 7	+\$837
Price Category (Geiger) 8	+\$1283
Price Category (Geiger) 9	+\$1591
Price Category 9	+\$1591
Price Category (Geiger) 10	+\$1831
Price Category 11	+\$2050
Price Category 14	+\$0
Price Category (Geiger) D	+\$343
Price Category (Geiger) H	+\$847
Price Category (Geiger) I	+\$1023
Price Category (Geiger) K	+\$1376
Price Category (Geiger) L	+\$1552
Price Category (Geiger) M	+\$1728
Price Category (Geiger) R	+\$3621

For quilted (Q)

	A	N
Price Category (Geiger) COM A	+\$0	0
Price Category (Geiger) COL A	+\$342	270
Price Category 1	+\$0	0
Price Category (Geiger) 2	+\$0	0
Price Category 2	+\$230	182
Price Category (Geiger) 3	+\$289	228
Price Category 3	+\$289	228
Price Category (Geiger) 4	+\$353	279
Price Category (Geiger) 5	+\$514	406
Price Category 5	+\$514	406
Price Category (Geiger) 6	+\$676	534
Price Category (Geiger) 7	+\$837	661
Price Category (Geiger) 8	+\$1283	1013
Price Category 9	+\$1591	1256
Price Category (Geiger) 10	+\$1831	1446
Price Category 11	+\$2050	1619
Price Category 14	+\$0	0
Price Category (Geiger) D	+\$343	271
Price Category (Geiger) G	+\$0	0
Price Category (Geiger) H	+\$847	669
Price Category (Geiger) I	+\$1023	808
Price Category (Geiger) K	+\$1376	1086
Price Category (Geiger) L	+\$1552	1225
Price Category (Geiger) M	+\$1728	1364
Price Category (Geiger) R	+\$3621	2859

Tuxedo Component Lounge with Table - One Seat *continued*

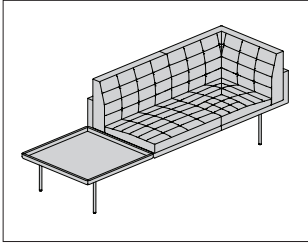
<i>For no arms (N) with not quilted (N)</i>		
Price Category (Geiger) COM	A	+\$0
Price Category (Geiger) COL	A	+\$270
Price Category 1		+\$0
Price Category (Geiger) 2		+\$0
Price Category 2		+\$182
Price Category (Geiger) 3		+\$228
Price Category 3		+\$228
Price Category (Geiger) 4		+\$279
Price Category (Geiger) 5		+\$406
Price Category 5		+\$406
Price Category (Geiger) 6		+\$534
Price Category (Geiger) 7		+\$661
Price Category (Geiger) 8		+\$1013
Price Category (Geiger) 9		+\$1256
Price Category 9		+\$1256
Price Category (Geiger) 10		+\$1446
Price Category 11		+\$1619
Price Category 14		+\$0
Price Category (Geiger) D		+\$271
Price Category (Geiger) G		+\$0
Price Category (Geiger) H		+\$669
Price Category (Geiger) I		+\$808
Price Category (Geiger) K		+\$1086
Price Category (Geiger) L		+\$1225
Price Category (Geiger) M		+\$1364
Price Category (Geiger) R		+\$2859

Step 7. Base Finish		
926	black A	+\$0
AS	arctic silver A	+\$0
WHT	white A	+\$0
BNZ	bronze A	+\$671
CHR	chrome A	+\$671
SAC	satin chrome A	+\$671

Step 8. Fire Retardancy		A	N
NOCAL	no cal-133 required A	+\$0	0
133	cal-133 required A	+\$309	244

Tuxedo Component Lounge with Table - Two Seats

SX2AL
SX2AR
SX2CL
SX2CR
SX2NL
SX2NR



Product Information

Description

This 2-seat lounge with table has a steel plated metal base with cushions made of polyfoam and DACRON®. Cushions are quilted or not quilted. The unit is available with a corner on 1 side, an arm on 1 side, or without arms, and with the table on either the left or right side. Table top is solid wood 1½" thick. Fire retardant lounge meets CAL 133 requirements.

Notes

Handedness is determined from a seated position.

Customer's Own Material (COM)/Customer's Own Leather (COL) requires the following:

Type—COM—COL

SX2ALN—8½ yards—153 square feet

SX2ALQ—8½ yards—153 square feet

SX2ARN—8½ yards—153 square feet

SX2ARQ—8½ yards—153 square feet

SX2CLN—9¼ yards—166½ square feet

SX2CLQ—9¼ yards—166½ square feet

SX2CRN—9¼ yards—166½ square feet

SX2CRQ—9¼ yards—166½ square feet

SX2NLN—7½ yards—135 square feet

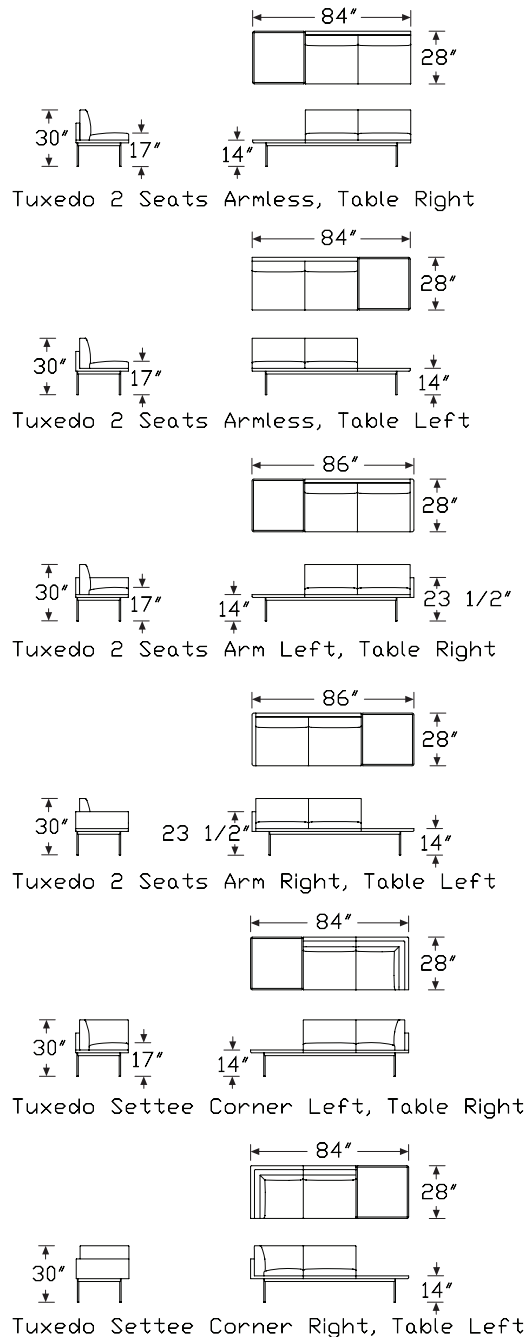
SX2NLQ—7½ yards—135 square feet

SX2NRN—7½ yards—135 square feet

SX2NRQ—7½ yards—135 square feet

See Order Information in Appendices for more information.

Dimensions



Tuxedo Component Lounge with Table - Two Seats *continued*

Specification Information

Step 1.

SX2 A

Step 2. Arms

A arm 1 side A

C corner 1 side A

N no arms A

Step 3. Handing

L seating left, table right A

R seating right, table left A

Step 4. Upholstery Type

N not quilted A

Q quilted A

Prices for Steps 1-4.

SX2AL	N	\$4810
	Q	\$5080

SX2AR	N	\$4810
	Q	\$5080

SX2CL	N	\$5390
	Q	\$5710

SX2CR	N	\$5390
	Q	\$5710

SX2NL	N	\$4490
	Q	\$4760

SX2NR	N	\$4490
	Q	\$4760

Step 5. Wood Finish

66G	recograin wenge <input type="checkbox"/> A	+\$0
68W	recograin walnut, flat cut, matte sheen <input type="checkbox"/> A	+\$0
69G	recograin wenge <input type="checkbox"/> A	+\$0
69W	recograin walnut, quarter cut, matte sheen <input type="checkbox"/> A	+\$0
96G	wenge recograin, quarter cut, low sheen <input type="checkbox"/> A	+\$0
98W	recograin walnut, flat cut, low sheen <input type="checkbox"/> A	+\$0
99G	recograin wenge, quarter cut, low sheen <input type="checkbox"/> A	+\$0
99W	recograin walnut, quarter cut, low sheen <input type="checkbox"/> A	+\$0

Matte Finishes

662	toasted walnut, matte sheen <input type="checkbox"/> A	+\$0
663	charred walnut, matte sheen <input type="checkbox"/> A	+\$0
664	bronzed walnut, matte sheen <input type="checkbox"/> A	+\$0
665	smoked walnut, matte sheen <input type="checkbox"/> A	+\$0
666	coffee walnut, matte sheen <input type="checkbox"/> A	+\$0
667	smoked paldao, quarter cut, matte sheen <input type="checkbox"/> A	+\$0
669	warm paldao, quarter cut, matte sheen <input type="checkbox"/> A	+\$0
66A	recograin frosty ash <input type="checkbox"/> A	+\$0
677	chocolate ash, matte sheen <input type="checkbox"/> A	+\$0
68R	recograin rosewood <input type="checkbox"/> A	+\$0
69A	recograin frosty ash <input type="checkbox"/> A	+\$0
69R	recograin rosewood <input type="checkbox"/> A	+\$0
69T	recograin teak <input type="checkbox"/> A	+\$0
6K1	rift oak <input type="checkbox"/> A	+\$0
ET	clear on ash <input type="checkbox"/> A	+\$0
EU	oak on ash <input type="checkbox"/> A	+\$0
EV	walnut on ash <input type="checkbox"/> A	+\$0
GOU	natural walnut, flat cut, matte sheen <input type="checkbox"/> A	+\$0
6A1	white ash <input type="checkbox"/> A	+\$0
6K6	burnt oak <input type="checkbox"/> A	+\$0
932	sundance anigre <input type="checkbox"/> A	+\$0
933	caramel anigre <input type="checkbox"/> A	+\$0
934	henna anigre <input type="checkbox"/> A	+\$0
940	sundance cherry on maple <input type="checkbox"/> A	+\$0
962	toasted walnut, low sheen <input type="checkbox"/> A	+\$0
963	charred walnut, low sheen <input type="checkbox"/> A	+\$0
964	bronzed walnut, low sheen <input type="checkbox"/> A	+\$0
965	smoked walnut, low sheen <input type="checkbox"/> A	+\$0
966	coffee walnut, low sheen <input type="checkbox"/> A	+\$0
967	smoked paldao, low sheen <input type="checkbox"/> A	+\$0
969	warm paldao, low sheen <input type="checkbox"/> A	+\$0
972	sundance walnut <input type="checkbox"/> A	+\$0
977	chocolate ash, low sheen <input type="checkbox"/> A	+\$0
98R	recograin rosewood <input type="checkbox"/> A	+\$0
991	champagne ash <input type="checkbox"/> A	+\$0
99A	recograin frosty ash <input type="checkbox"/> A	+\$0
99R	recograin rosewood <input type="checkbox"/> A	+\$0
99T	recograin teak <input type="checkbox"/> A	+\$0
9A1	white ash, quarter cut, low sheen <input type="checkbox"/> A	+\$0
9K1	rift oak, rift cut, low sheen <input type="checkbox"/> A	+\$0
G2U	light brown walnut, low sheen <input type="checkbox"/> A	+\$0
G40	dark brown walnut, low sheen <input type="checkbox"/> A	+\$0
UX	walnut on cherry <input type="checkbox"/> A	+\$0
943	caramel cherry <input type="checkbox"/> A	+\$0
946	cocoa cherry <input type="checkbox"/> A	+\$0
956	cocoa sapele <input type="checkbox"/> A	+\$0

Tuxedo Component Lounge with
Table - Two Seats *continued*

HermanMiller Collection—Lounge Seating

998	ebony ash A	+\$0
ED	aged cherry A	+\$0
EK	medium red walnut A	+\$0

Step 6. Fabric					
	AN	AQ	CN	CQ	NN
Price Category 1	+\$0	0	0	0	0
Price Category (Geiger) 2	+\$0	0	0	0	0
Price Category 2	+\$412	412	449	449	364
Price Category (Geiger) 3	+\$518	518	563	563	457
Price Category 3	+\$518	518	563	563	457
Price Category (Geiger) 4	+\$631	631	686	686	557
Price Category 4	+\$631	631	686	686	557
Price Category (Geiger) 5	+\$920	920	1001	1001	812
Price Category 5	+\$920	920	1001	1001	812
Price Category (Geiger) 6	+\$1209	1209	1316	1316	1067
Price Category (Geiger) 7	+\$1498	1498	1630	1630	1322
Price Category 7	+\$1498	1498	1630	1630	1322
Price Category (Geiger) 8	+\$2294	2294	2497	2497	2024
Price Category 9	+\$2846	2846	3097	3097	2512
Price Category (Geiger) 10	+\$3275	3275	3564	3564	2890
Price Category 11	+\$3669	3669	3993	3993	3238
Price Category 14	+\$0	0	0	0	0
Price Category (Geiger) D	+\$613	613	668	668	469
Price Category (Geiger) G	+\$0	0	0	0	0
Price Category (Geiger) H	+\$1218	1516	1648	1648	1337
Price Category (Geiger) I	+\$1516	1831	1991	1991	1616
Price Category (Geiger) K	+\$2146	2461	2677	2677	2172
Price Category (Geiger) L	+\$2461	2776	3020	3020	2450
Price Category (Geiger) M	+\$2776	3092	3363	3363	2728
Price Category (Geiger) R	+\$6479	6479	7051	7051	5717
Price Category (Geiger)	+\$0	0	0	0	0
COM A					
Price Category (Geiger)	+\$612	612	666	666	540
COL A					

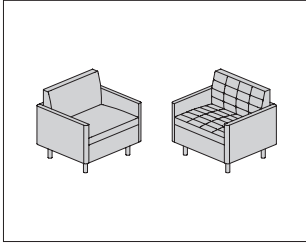
	NQ
Price Category 1	+\$0
Price Category (Geiger) 2	+\$0
Price Category 2	+\$364
Price Category (Geiger) 3	+\$457
Price Category 3	+\$457
Price Category (Geiger) 4	+\$557
Price Category 4	+\$557
Price Category (Geiger) 5	+\$812
Price Category 5	+\$812
Price Category (Geiger) 6	+\$1067
Price Category (Geiger) 7	+\$1322
Price Category 7	+\$1322
Price Category (Geiger) 8	+\$2024
Price Category 9	+\$2512
Price Category (Geiger) 10	+\$2890
Price Category 11	+\$3238
Price Category 14	+\$0
Price Category (Geiger) D	+\$469
Price Category (Geiger) G	+\$0
Price Category (Geiger) H	+\$1337
Price Category (Geiger) I	+\$1616
Price Category (Geiger) K	+\$2172
Price Category (Geiger) L	+\$2450
Price Category (Geiger) M	+\$2728
Price Category (Geiger) R	+\$5717
Price Category (Geiger) COM A	+\$0
Price Category (Geiger) COL A	+\$540

Step 7. Base Finish		
926	black A	+\$0
AS	arctic silver A	+\$0
WHT	white A	+\$0
BNZ	bronze A	+\$0
CHR	chrome A	+\$0
SAC	satin chrome A	+\$0

Step 8. Fire Retardancy				
		A	C	N
NOCAL	no cal-133 required A	+\$0	0	0
133	cal-133 required A	+\$553	601	488

Tuxedo Classic Club Chair

SZ1AB



Product Information

Description

This club chair has solid wood legs with cushions made of polyfoam and DACRON®. Cushions are quilted or not quilted. Fire retardant chair meets CAL 133 requirements.

Notes

Customer's Own Material (COM)/Customer's Own Leather (COL) requires the following:

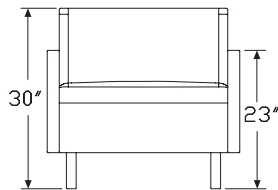
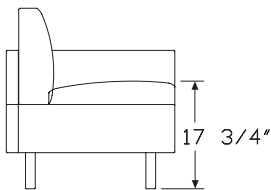
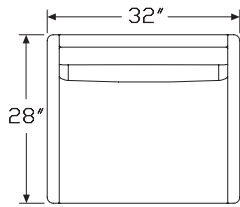
Type—COM—COL

Not quilted—6½ yards—117 square feet

Quilted—6½ yards—117 square feet

See Order Information in Appendices for more information.

Dimensions



Specification Information

Step 1.

SZ1 A

Step 2. Arms

AB arms on left and right A

Step 3. Upholstery Type

N not quilted A

Q quilted A

Prices for Steps 1-3.

SZ1AB N	\$2565
Q	\$2700

Step 4. Fabric

For not quilted (N)

Price Category (Geiger) COM <input type="checkbox"/> A	+\$0
Price Category (Geiger) COL <input type="checkbox"/> A	+\$468
Price Category 1	+\$0
Price Category (Geiger) 2	+\$316
Price Category 2	+\$316
Price Category (Geiger) 3	+\$396
Price Category 3	+\$396
Price Category (Geiger) 4	+\$483
Price Category (Geiger) 5	+\$704
Price Category 5	+\$704
Price Category (Geiger) 6	+\$924
Price Category (Geiger) 7	+\$1146
Price Category (Geiger) 8	+\$1755
Price Category (Geiger) 9	+\$2177
Price Category 9	+\$2177
Price Category (Geiger) 10	+\$2504
Price Category 11	+\$2806
Price Category 14	+\$0
Price Category (Geiger) D	+\$469
Price Category (Geiger) G	+\$932
Price Category (Geiger) H	+\$1159
Price Category (Geiger) I	+\$1400
Price Category (Geiger) K	+\$1882
Price Category (Geiger) L	+\$2123
Price Category (Geiger) M	+\$2364
Price Category (Geiger) R	+\$4955

Tuxedo Classic Club Chair *continued*

For quilted (Q)

Price Category (Geiger) COM A	+\$0
Price Category (Geiger) COL A	+\$468
Price Category 1	+\$0
Price Category (Geiger) 2	+\$316
Price Category 2	+\$316
Price Category (Geiger) 3	+\$396
Price Category 3	+\$396
Price Category (Geiger) 4	+\$483
Price Category (Geiger) 5	+\$704
Price Category 5	+\$704
Price Category (Geiger) 6	+\$924
Price Category (Geiger) 7	+\$1146
Price Category (Geiger) 8	+\$1755
Price Category 9	+\$2177
Price Category (Geiger) 10	+\$2504
Price Category 11	+\$2806
Price Category 14	+\$0
Price Category (Geiger) D	+\$469
Price Category (Geiger) G	+\$932
Price Category (Geiger) H	+\$1159
Price Category (Geiger) I	+\$1400
Price Category (Geiger) K	+\$1882
Price Category (Geiger) L	+\$2123
Price Category (Geiger) M	+\$2364
Price Category (Geiger) R	+\$4955

Step 5. Base Finish

66G recograin wenge A	+\$0
68W recograin walnut, flat cut, matte sheen A	+\$0
69G recograin wenge A	+\$0
69W recograin walnut, quarter cut, matte sheen A	+\$0
96G wenge recograin, quarter cut, low sheen A	+\$0
98W recograin walnut, flat cut, low sheen A	+\$0
99G recograin wenge, quarter cut, low sheen A	+\$0
99W recograin walnut, quarter cut, low sheen A	+\$0
932 sundance anigre A	+\$0
933 caramel anigre A	+\$0
934 henna anigre A	+\$0
940 sundance cherry on maple A	+\$0
962 toasted walnut, low sheen A	+\$0
963 charred walnut, low sheen A	+\$0
964 bronzed walnut, low sheen A	+\$0
965 smoked walnut, low sheen A	+\$0
966 coffee walnut, low sheen A	+\$0
967 smoked paldao, low sheen A	+\$0
969 warm paldao, low sheen A	+\$0

972 sundance walnut A	+\$0
977 chocolate ash, low sheen A	+\$0
98R recograin rosewood A	+\$0
991 champagne ash A	+\$0
99A recograin frosty ash A	+\$0
99R recograin rosewood A	+\$0
99T recograin teak A	+\$0
9A1 white ash, quarter cut, low sheen A	+\$0
9K1 rift oak, rift cut, low sheen A	+\$0
9K6 burnt oak, rift cut, low sheen A	+\$0
G2U light brown walnut, low sheen A	+\$0
G40 dark brown walnut, low sheen A	+\$0
UX walnut on cherry A	+\$0
943 caramel cherry A	+\$0
946 cocoa cherry A	+\$0
956 cocoa sapele A	+\$0
998 ebony ash A	+\$0
ED aged cherry A	+\$0
EK medium red walnut A	+\$0

Matte Finishes

662 toasted walnut, matte sheen A	+\$0
663 charred walnut, matte sheen A	+\$0
664 bronzed walnut, matte sheen A	+\$0
665 smoked walnut, matte sheen A	+\$0
666 coffee walnut, matte sheen A	+\$0
667 smoked paldao, quarter cut, matte sheen A	+\$0
669 warm paldao, quarter cut, matte sheen A	+\$0
66A recograin frosty ash A	+\$0
677 chocolate ash, matte sheen A	+\$0
68R recograin rosewood A	+\$0
69A recograin frosty ash A	+\$0
69R recograin rosewood A	+\$0
69T recograin teak A	+\$0
6K1 rift oak A	+\$0
ET clear on ash A	+\$0
EU oak on ash A	+\$0
EV walnut on ash A	+\$0
GOU natural walnut, flat cut, matte sheen A	+\$0
6A1 white ash A	+\$0
6K6 burnt oak A	+\$0

Step 6. Fire Retardancy

NOCAL no cal-133 required A	+\$0
133 cal-133 required A	+\$423

Striad High-Back Lounge Chair, CCL100
4-Star Base



Product Information

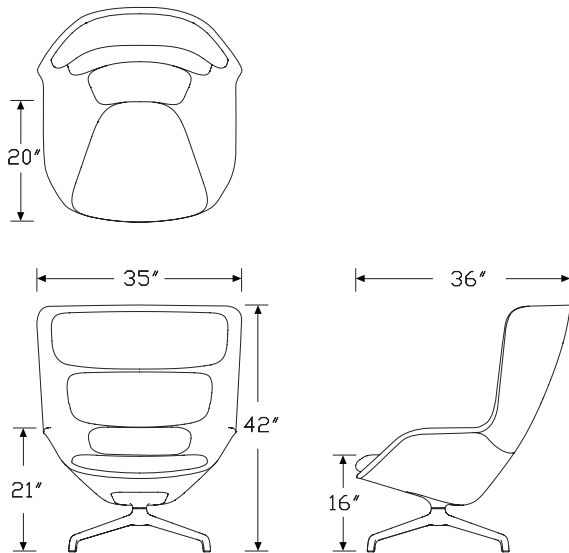
Description

This lounge chair has a high back, dual density foam cushions, and a 4-star aluminum base with a swivel-return feature. The outer shell provides rigidity and support while the inner shell provides flexibility for added movement and comfort.

Notes

Customer's Own Material (COM) requires 5 yards (2½ yards for shell, 2½ yards for cushions). Customer's Own Leather (COL) requires 90 square feet (45 sq ft for shell, 45 sq ft for cushions). See Order Information in appendices.

Dimensions



Specification Information

Step 1.

CCL100. A

Step 2. Base

S swivel, auto return A

Prices for Steps 1-2.

CCL100. S \$3463

Step 3. Base Finish

91 white A +\$0

BK black A +\$0

PA polished aluminum A +\$0

Step 4. Outer Shell Finish

91 white A +\$0

BK black A +\$0

WN warm grey neutral A +\$0

Step 5. Shell Upholstery

Price Category (Geiger) 5 +\$154

Price Category 1 A +\$0

Price Category 2 +\$16

Price Category (Geiger) 3 +\$41

Price Category (Geiger) 4 +\$91

Price Category 5 +\$149

Price Category 7 A +\$855

Price Category (Geiger) 7 +\$286

Price Category (Geiger) 8 +\$376

Price Category 9 +\$455

Price Category (Geiger) 10 +\$562

Price Category (Geiger) 11 +\$655

Price Category 11 +\$635

Price Category B +\$76

Price Category (Geiger) C +\$130

Price Category D +\$135

Price Category G +\$425

Price Category H +\$526

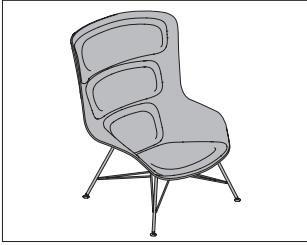
Price Category J +\$726

Striad High-Back Lounge Chair,
4-Star Base *continued*

HermanMiller Collection—Lounge Seating

Step 6. Cushion Upholstery			
Price Category (Geiger) 5		+\$154	
Price Category 1	A	+\$0	
Price Category 2		+\$16	
Price Category (Geiger) 3		+\$41	
Price Category (Geiger) 4		+\$91	
Price Category 5		+\$149	
Price Category 7	A	+\$855	
Price Category (Geiger) 7		+\$286	
Price Category (Geiger) 8		+\$376	
Price Category 9		+\$455	
Price Category (Geiger) 10		+\$562	
Price Category 11		+\$635	
Price Category (Geiger) 11		+\$655	
Price Category B		+\$76	
Price Category (Geiger) C		+\$96	
Price Category D		+\$135	
Price Category G		+\$425	
Price Category H		+\$526	
Price Category J		+\$726	
Step 7. Fire Retardancy			
NFR	not fire retardant	A	+\$0
FR	fire retardant	A	+\$375

Striad High-Back Lounge Chair, CCL101
Wire Base



Product Information

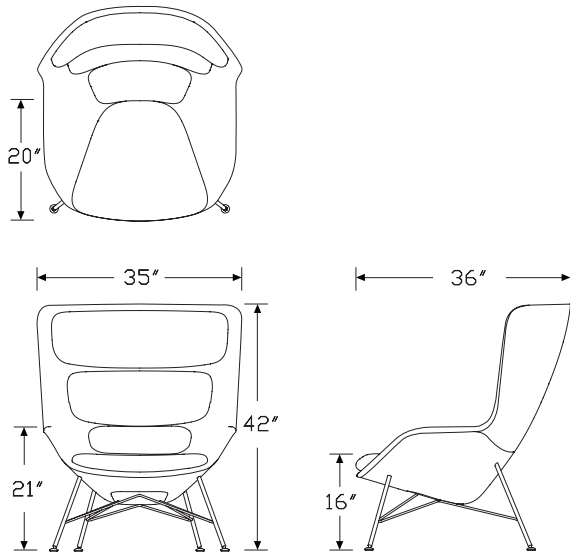
Description

This lounge chair has a high back, dual density foam cushions, and a 4-leg wire base. The outer shell provides rigidity and support while the inner shell provides flexibility for added movement and comfort.

Notes

Customer's Own Material (COM) requires 5 yards (2½ yards for shell, 2½ yards for cushions). Customer's Own Leather (COL) requires 90 square feet (45 sq ft for shell, 45 sq ft for cushions). See Order Information in appendices.

Dimensions



Specification Information

Step 1.

CCL101. A \$3239

Step 2. Base Finish

47 trivalent chrome A +\$0
91 white A +\$0
BK black A +\$0

Step 3. Outer Shell Finish

91 white A +\$0
BK black A +\$0
WN warm grey neutral A +\$0

Step 4. Shell Upholstery

Price Category 1 A +\$0
 Price Category 2 +\$16
 Price Category 3 +\$0
 Price Category (Geiger) 3 +\$41
 Price Category (Geiger) 4 +\$91
 Price Category 5 +\$149
 Price Category (Geiger) 5 +\$154
 Price Category 7 +\$855
 Price Category (Geiger) 7 +\$286
 Price Category (Geiger) 8 +\$376
 Price Category 9 +\$455
 Price Category (Geiger) 10 +\$562
 Price Category 11 +\$635
 Price Category (Geiger) 11 +\$655
 Price Category B +\$76
 Price Category (Geiger) C +\$130
 Price Category D +\$135
 Price Category G +\$425
 Price Category H +\$526
 Price Category J +\$726

Striad High-Back Lounge Chair,
Wire Base *continued*

HermanMiller Collection—Lounge Seating

Step 5. Cushion Upholstery			
Price Category 1	A	+\$0	
Price Category 2		+\$16	
Price Category 3		+\$0	
Price Category (Geiger) 3		+\$41	
Price Category (Geiger) 4		+\$91	
Price Category 5		+\$149	
Price Category (Geiger) 5		+\$154	
Price Category 7		+\$855	
Price Category (Geiger) 7		+\$286	
Price Category (Geiger) 8		+\$376	
Price Category 9		+\$455	
Price Category (Geiger) 10		+\$562	
Price Category 11		+\$635	
Price Category (Geiger) 11		+\$655	
Price Category B		+\$76	
Price Category (Geiger) C		+\$96	
Price Category D		+\$135	
Price Category G		+\$425	
Price Category H		+\$526	
Price Category J		+\$726	
Step 6. Fire Retardancy			
NFR	not fire retardant	A	+\$0
FR	fire retardant	A	+\$375

Striad Mid-Back Lounge Chair, CCL200
4-Star Base



Product Information

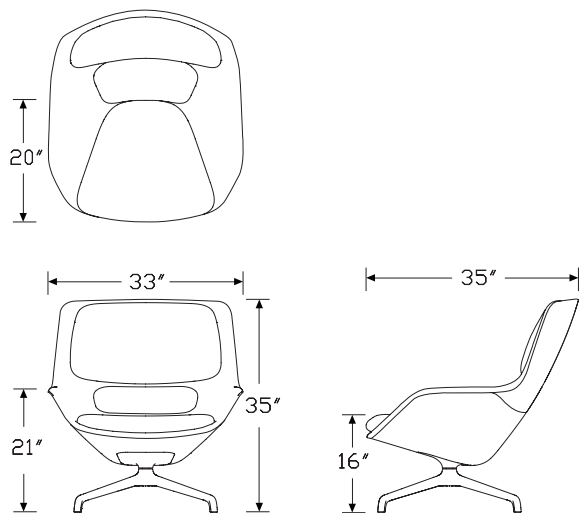
Description

This lounge chair has a mid back, dual density foam cushions, and a 4-star aluminum base with a swivel-return feature. The outer shell provides rigidity and support while the inner shell provides flexibility for added movement and comfort.

Notes

Customer's Own Material (COM) requires 3 1/2 yards (1 3/4 yards for shell, 1 3/4 yards for cushions). Customer's Own Leather (COL) requires 63 square feet (31 1/2 sq ft for shell, 31 1/2 sq ft for cushions). See Order Information in appendices.

Dimensions



Specification Information

Step 1.

CCL200. A

Step 2. Base

S swivel, auto return A

Prices for Steps 1-2.

CCL200. S \$3055

Step 3. Base Finish

91 white A +\$0
BK black A +\$0
PA polished aluminum A +\$0

Step 4. Outer Shell Finish

91 white A +\$0
BK black A +\$0
WN warm grey neutral A +\$0

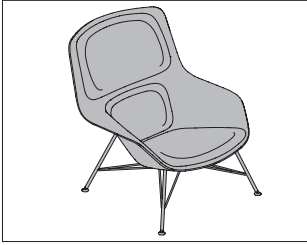
Step 5. Shell Upholstery

Price Category 1 A +\$0
 Price Category 2 +\$11
 Price Category 3 +\$0
 Price Category (Geiger) 3 +\$28
 Price Category (Geiger) 4 +\$64
 Price Category 5 +\$102
 Price Category (Geiger) 5 +\$106
 Price Category 7 +\$599
 Price Category (Geiger) 7 +\$200
 Price Category (Geiger) 8 +\$264
 Price Category 9 +\$319
 Price Category (Geiger) 10 +\$394
 Price Category 11 +\$445
 Price Category (Geiger) 11 +\$459
 Price Category B +\$53
 Price Category (Geiger) C +\$91
 Price Category D +\$245
 Price Category G +\$298
 Price Category H +\$368
 Price Category J +\$508

Striad Mid-Back Lounge Chair,
4-Star Base *continued*

Step 6. Cushion Upholstery		
Price Category 1	<input type="checkbox"/> A	+\$0
Price Category 2		+\$11
Price Category 3		+\$0
Price Category (Geiger) 3		+\$28
Price Category (Geiger) 4		+\$64
Price Category 5		+\$102
Price Category (Geiger) 5		+\$106
Price Category 7		+\$599
Price Category (Geiger) 7		+\$200
Price Category (Geiger) 8		+\$264
Price Category 9		+\$319
Price Category (Geiger) 10		+\$394
Price Category 11		+\$445
Price Category (Geiger) 11		+\$459
Price Category B		+\$53
Price Category (Geiger) C		+\$83
Price Category D		+\$245
Price Category G		+\$298
Price Category H		+\$368
Price Category J		+\$508
Step 7. Fire Retardancy		
NFR	not fire retardant <input type="checkbox"/> A	+\$0
FR	fire retardant <input type="checkbox"/> A	+\$275

Striad Mid-Back Lounge Chair, CCL201
Wire Base



Product Information

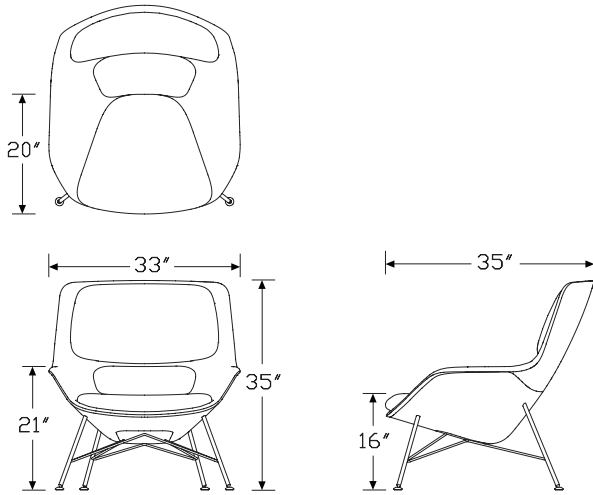
Description

This lounge chair has a mid back, dual density foam cushions, and a 4-leg wire base. The outer shell provides rigidity and support while the inner shell provides flexibility for added movement and comfort.

Notes

Customer's Own Material (COM) requires 3 1/2 yards (1 3/4 yards for shell, 1 3/4 yards for cushions). Customer's Own Leather (COL) requires 63 square feet (31 1/2 sq ft for shell, 31 1/2 sq ft for cushions). See Order Information in appendices.

Dimensions



Specification Information

Step 1.

CCL201. A \$2831

Step 2. Base Finish

47 trivalent chrome A +\$0
91 white A +\$0
BK black A +\$0

Step 3. Outer Shell Finish

91 white A +\$0
BK black A +\$0
WN warm grey neutral A +\$0

Step 4. Shell Upholstery

Price Category D +\$245
 Price Category 1 A +\$0
 Price Category 2 +\$11
 Price Category 3 +\$0
 Price Category (Geiger) 3 +\$28
 Price Category (Geiger) 4 +\$64
 Price Category 5 +\$102
 Price Category (Geiger) 5 +\$106
 Price Category 7 +\$599
 Price Category (Geiger) 7 +\$200
 Price Category (Geiger) 8 +\$264
 Price Category 9 +\$319
 Price Category (Geiger) 10 +\$394
 Price Category 11 +\$445
 Price Category (Geiger) 11 +\$459
 Price Category B +\$53
 Price Category (Geiger) C +\$91
 Price Category G +\$298
 Price Category H +\$368
 Price Category J +\$508

Striad Mid-Back Lounge Chair,
Wire Base *continued*

HermanMiller Collection—Lounge Seating

Step 5. Cushion Upholstery			
Price Category D		+\$245	
Price Category 1	A	+\$0	
Price Category 2		+\$11	
Price Category 3		+\$0	
Price Category (Geiger) 3		+\$28	
Price Category (Geiger) 4		+\$64	
Price Category 5		+\$102	
Price Category (Geiger) 5		+\$106	
Price Category 7		+\$599	
Price Category (Geiger) 7		+\$200	
Price Category (Geiger) 8		+\$264	
Price Category 9		+\$319	
Price Category (Geiger) 10		+\$394	
Price Category 11		+\$445	
Price Category (Geiger) 11		+\$459	
Price Category B		+\$53	
Price Category (Geiger) C		+\$83	
Price Category G		+\$298	
Price Category H		+\$368	
Price Category J		+\$508	
Step 6. Fire Retardancy			
NFR	not fire retardant	A	+\$0
FR	fire retardant	A	+\$275

Striad Low-Back Lounge Chair, CCL300
4-Star Base



Product Information

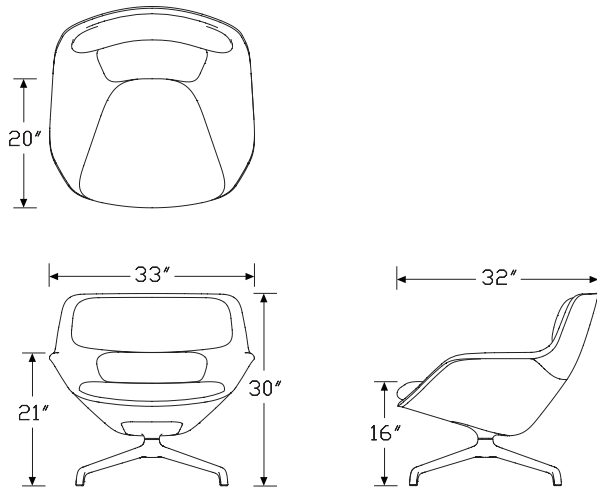
Description

This lounge chair has a low back, dual density foam cushions, and a 4-star aluminum base with a swivel-return feature. The outer shell provides rigidity and support while the inner shell provides flexibility for added movement and comfort.

Notes

Customer's Own Material (COM) requires 3½ yards (1¾ yards for shell, 1¾ yards for cushions). Customer's Own Leather (COL) requires 63 square feet (31½ sq ft for shell, 31½ sq ft for cushions). See Order Information in appendices.

Dimensions



Specification Information

Step 1.

CCL300. A

Step 2. Base

S swivel, auto return A

Prices for Steps 1-2.

CCL300. S \$2872

Step 3. Base Finish

91 white A +\$0
BK black A +\$0
PA polished aluminum A +\$0

Step 4. Outer Shell Finish

91 white A +\$0
BK black A +\$0
WN warm grey neutral A +\$0

Step 5. Shell Upholstery

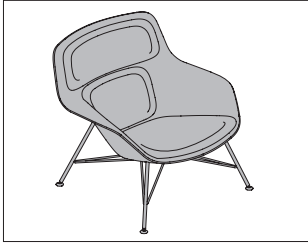
Price Category 1 A +\$0
 Price Category 2 +\$11
 Price Category 3 +\$0
 Price Category (Geiger) 3 +\$26
 Price Category (Geiger) 4 +\$59
 Price Category 5 +\$92
 Price Category (Geiger) 5 +\$95
 Price Category 7 A +\$599
 Price Category (Geiger) 7 +\$186
 Price Category (Geiger) 8 +\$245
 Price Category 9 +\$296
 Price Category (Geiger) 10 +\$365
 Price Category 11 +\$413
 Price Category (Geiger) 11 +\$426
 Price Category B +\$50
 Price Category (Geiger) C +\$91
 Price Category D +\$245
 Price Category G +\$276
 Price Category H +\$342
 Price Category J +\$472

Striad Low-Back Lounge Chair,
4-Star Base *continued*

HermanMiller Collection—Lounge Seating

Step 6. Cushion Upholstery			
Price Category 1	A	+\$0	
Price Category 2		+\$11	
Price Category 3		+\$0	
Price Category (Geiger) 3		+\$26	
Price Category (Geiger) 4		+\$59	
Price Category 5		+\$92	
Price Category (Geiger) 5		+\$95	
Price Category 7		+\$599	
Price Category (Geiger) 7		+\$186	
Price Category (Geiger) 8		+\$245	
Price Category 9		+\$296	
Price Category (Geiger) 10		+\$365	
Price Category 11		+\$413	
Price Category (Geiger) 11		+\$426	
Price Category B		+\$50	
Price Category (Geiger) C		+\$83	
Price Category D		+\$245	
Price Category G		+\$276	
Price Category H		+\$342	
Price Category J		+\$472	
Step 7. Fire Retardancy			
NFR	not fire retardant	A	+\$0
FR	fire retardant	A	+\$250

Striad Low-Back Lounge Chair, CCL301
Wire Base



Product Information

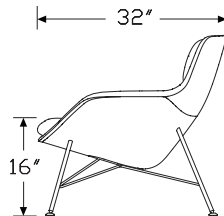
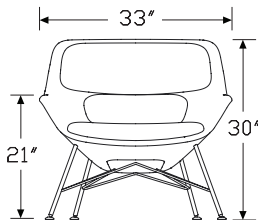
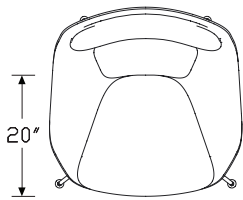
Description

This lounge chair has a low back, dual density foam cushions, and a 4-leg wire base. The outer shell provides rigidity and support while the inner shell provides flexibility for added movement and comfort.

Notes

Customer's Own Material (COM) requires 3 1/2 yards (1 3/4 yards for shell, 1 3/4 yards for cushions). Customer's Own Leather (COL) requires 63 square feet (31 1/2 sq ft for shell, 31 1/2 sq ft for cushions). See Order Information in appendices.

Dimensions



Specification Information

Step 1.

CCL301. A \$2647

Step 2. Base Finish

47 trivalent chrome A +\$0
91 white A +\$0
BK black A +\$0

Step 3. Outer Shell Finish

91 white A +\$0
BK black A +\$0
WN warm grey neutral A +\$0

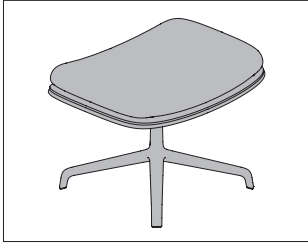
Step 4. Shell Upholstery

Price Category D +\$245
 Price Category 1 A +\$0
 Price Category 2 +\$11
 Price Category 3 +\$0
 Price Category (Geiger) 3 +\$26
 Price Category (Geiger) 4 +\$59
 Price Category 5 +\$92
 Price Category (Geiger) 5 +\$95
 Price Category 7 A +\$599
 Price Category (Geiger) 7 +\$186
 Price Category (Geiger) 8 +\$245
 Price Category 9 +\$296
 Price Category (Geiger) 10 +\$365
 Price Category 11 +\$413
 Price Category (Geiger) 11 +\$426
 Price Category B +\$50
 Price Category (Geiger) C +\$91
 Price Category G +\$276
 Price Category H +\$342
 Price Category J +\$472

Striad Low-Back Lounge Chair,
Wire Base *continued*

HermanMiller Collection—Lounge Seating

Step 5. Cushion Upholstery			
Price Category D		+\$245	
Price Category 1	A	+\$0	
Price Category 2		+\$11	
Price Category 3		+\$0	
Price Category (Geiger) 3		+\$26	
Price Category (Geiger) 4		+\$59	
Price Category 5		+\$92	
Price Category (Geiger) 5		+\$95	
Price Category 7		+\$599	
Price Category (Geiger) 7		+\$186	
Price Category (Geiger) 8		+\$245	
Price Category 9		+\$296	
Price Category (Geiger) 10		+\$365	
Price Category 11		+\$413	
Price Category (Geiger) 11		+\$426	
Price Category B		+\$50	
Price Category (Geiger) C		+\$83	
Price Category G		+\$276	
Price Category H		+\$342	
Price Category J		+\$472	
Step 6. Fire Retardancy			
NFR	not fire retardant	A	+\$0
FR	fire retardant	A	+\$250



Product Information

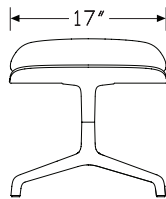
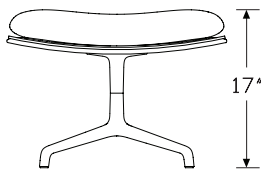
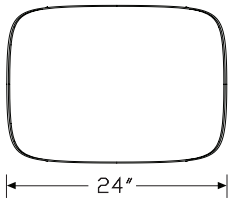
Description

This ottoman has a 4-star fixed aluminum base.

Notes

Customer's Own Material (COM) requires 2 yards (1 yard for shell, 1 yard for cushion). Customer's Own Leather (COL) requires 36 square feet (18 sq ft for shell, 18 sq ft for cushions). See Order Information in appendices.

Dimensions



Specification Information

Step 1.

CCL400. A \$1122

Step 2. Base Finish

91 white A +\$0
BK black A +\$0
PA polished aluminum A +\$0

Step 3. Shell Upholstery

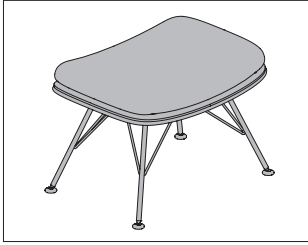
Price Category 1 A +\$0
 Price Category 2 +\$7
 Price Category 3 +\$0
 Price Category (Geiger) 3 +\$17
 Price Category (Geiger) 4 +\$37
 Price Category 5 +\$57
 Price Category (Geiger) 5 +\$59
 Price Category 7 +\$342
 Price Category (Geiger) 7 +\$115
 Price Category (Geiger) 8 +\$151
 Price Category 9 +\$182
 Price Category (Geiger) 10 +\$225
 Price Category 11 +\$254
 Price Category (Geiger) 11 +\$262
 Price Category B +\$31
 Price Category (Geiger) C +\$32
 Price Category D +\$140
 Price Category G +\$170
 Price Category H +\$211
 Price Category J +\$291

Striad Ottoman, 4-Star Base

continued

HermanMiller Collection—Lounge Seating

Step 4. Cushion Upholstery			
Price Category 1	A	+\$0	
Price Category 2		+\$7	
Price Category 3		+\$0	
Price Category (Geiger) 3		+\$17	
Price Category (Geiger) 4		+\$37	
Price Category 5		+\$57	
Price Category (Geiger) 5		+\$59	
Price Category 7		+\$342	
Price Category (Geiger) 7		+\$115	
Price Category (Geiger) 8		+\$151	
Price Category 9		+\$182	
Price Category (Geiger) 10		+\$225	
Price Category 11		+\$254	
Price Category (Geiger) 11		+\$262	
Price Category B		+\$31	
Price Category (Geiger) C		+\$0	
Price Category D		+\$140	
Price Category G		+\$170	
Price Category H		+\$211	
Price Category J		+\$291	
Step 5. Fire Retardancy			
NFR	not fire retardant	A	+\$0
FR	fire retardant	A	+\$150



Product Information

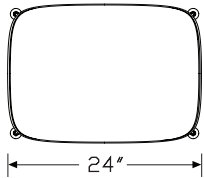
Description

This ottoman has a 4-leg wire base.

Notes

Customer's Own Material (COM) requires 2 yards (1 yard for shell, 1 yard for cushion). Customer's Own Leather (COL) requires 36 square feet (18 sq ft for shell, 18 sq ft for cushions). See Order Information in appendices.

Dimensions



Specification Information

Step 1.

CCL401. A \$1107

Step 2. Base Finish

47 trivalent chrome A +\$0
91 white A +\$0
BK black A +\$0

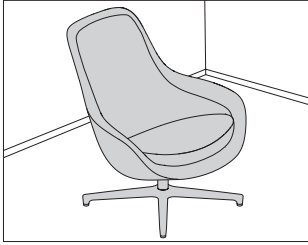
Step 3. Shell Upholstery

Price Category D +\$140
 Price Category 1 A +\$0
 Price Category 2 +\$7
 Price Category 3 +\$0
 Price Category (Geiger) 3 +\$17
 Price Category (Geiger) 4 +\$37
 Price Category 5 +\$57
 Price Category (Geiger) 5 +\$59
 Price Category 7 +\$342
 Price Category (Geiger) 7 +\$115
 Price Category (Geiger) 8 +\$151
 Price Category 9 +\$182
 Price Category (Geiger) 10 +\$225
 Price Category 11 +\$254
 Price Category (Geiger) 11 +\$262
 Price Category B +\$31
 Price Category (Geiger) C +\$32
 Price Category G +\$170
 Price Category H +\$211
 Price Category J +\$291

Striad Ottoman, Wire Base *continued*

HermanMiller Collection—Lounge Seating

Step 4. Cushion Upholstery			
Price Category D		+\$140	
Price Category 1	A	+\$0	
Price Category 2		+\$7	
Price Category 3		+\$0	
Price Category (Geiger) 3		+\$17	
Price Category (Geiger) 4		+\$37	
Price Category 5		+\$57	
Price Category (Geiger) 5		+\$59	
Price Category 7		+\$342	
Price Category (Geiger) 7		+\$115	
Price Category (Geiger) 8		+\$151	
Price Category 9		+\$182	
Price Category (Geiger) 10		+\$225	
Price Category 11		+\$254	
Price Category (Geiger) 11		+\$262	
Price Category B		+\$31	
Price Category (Geiger) C		+\$0	
Price Category G		+\$170	
Price Category H		+\$211	
Price Category J		+\$291	
Step 5. Fire Retardancy			
NFR	not fire retardant	A	+\$0
FR	fire retardant	A	+\$150



Product Information

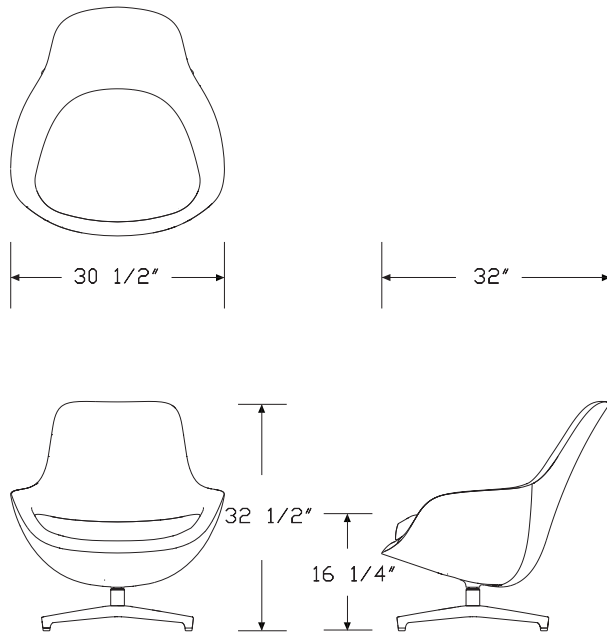
Description

This high back chair has a 4-star base with glides. Seat frame is rigid urethane with polyurethane foam. Cushion is high density foam.

Notes

Customer's Own Material (COM) requires 3 1/2 yards. Customer's Own Leather (COL) requires 63 square feet. See Order Information in Appendices.

Dimensions



Specification Information

Step 1.

SBN5 A

Step 2. Back Height

H high back A

Prices for Steps 1-2.

SBN5H \$2700

Step 3. Upholstery

Price Category (Geiger) COL <input type="checkbox"/> A	+\$189
Price Category (Geiger) COM <input type="checkbox"/> A	+\$0
Price Category 1	+\$0
Price Category (Geiger) 2	+\$172
Price Category 2	+\$0
Price Category (Geiger) 3	+\$214
Price Category 3	+\$214
Price Category (Geiger) 4	+\$260
Price Category (Geiger) 5	+\$380
Price Category 5	+\$380
Price Category (Geiger) 7	+\$617
Price Category 9	+\$1173
Price Category (Geiger) 10	+\$1349
Price Category (Geiger) 11	+\$1512
Price Category 11	+\$1512
Price Category (Geiger) H	+\$625

Step 4. Base Finish

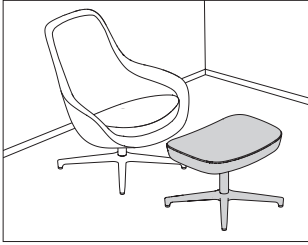
BK black <input type="checkbox"/> A	+\$0
CD polished aluminum <input type="checkbox"/> A	+\$0

Step 5. Fire Retardancy

NOCAL no cal-133 required <input type="checkbox"/> A	+\$0
133 cal-133 required <input type="checkbox"/> A	+\$228

Saiba Ottoman

SBN6



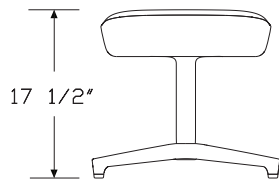
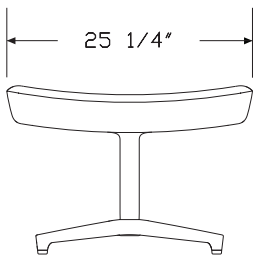
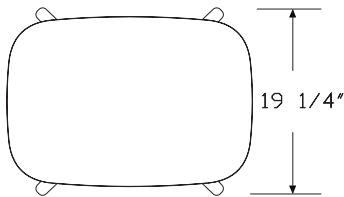
HermanMiller Collection—Lounge Seating

Product Information

Description
 This ottoman has upholstered high density foam and a 4-star base with glides.

Notes
 Customer's Own Material (COM) requires 1 yard. Customer's Own Leather (COL) requires 18 square feet. See Order Information in Appendices.

Dimensions



Specification Information

Step 1.
SBN6 [A] \$1075

Step 2. Upholstery

Price Category (Geiger) COL [A]	+\$72
Price Category (Geiger) COM [A]	+\$0
Price Category 1	+\$0
Price Category (Geiger) 2	+\$0
Price Category 2	+\$0
Price Category (Geiger) 3	+\$61
Price Category 3	+\$61
Price Category (Geiger) 4	+\$75
Price Category (Geiger) 5	+\$109
Price Category 5	+\$109
Price Category (Geiger) 7	+\$177
Price Category 9	+\$335
Price Category (Geiger) 10	+\$386
Price Category (Geiger) 11	+\$432
Price Category 11	+\$432
Price Category (Geiger) H	+\$179

Step 3. Base Finish

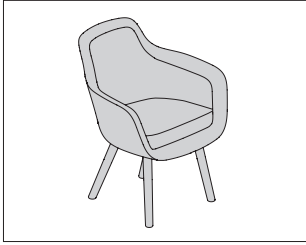
BK black [A]	+\$0
CD polished aluminum [A]	+\$0

Step 4. Fire Retardancy

NOCAL no cal-133 required [A]	+\$0
133 cal-133 required [A]	+\$65

Saiba Guest Chair

SBN7M



Product Information

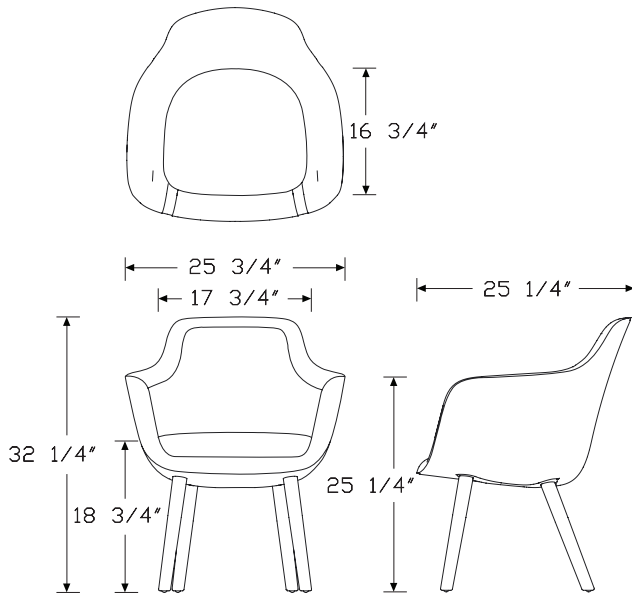
Description

This guest chair has a solid wood base available in ash or walnut. Seat frame is rigid urethane with polyurethane foam. Cushion is high density foam.

Notes

Customer's Own Material (COM) requires 2³/₄ yards. Customer's Own Leather (COL) requires 49¹/₂ square feet. See Order Information in Appendices.

Dimensions



Specification Information

Step 1.

SBN7 A

Step 2. Back Height

M mid back A

Step 3. Frame

A ash A

W walnut A

Prices for Steps 1-3.

SBN7M A	\$1725
W	\$1725

Step 4. Upholstery

Price Category (Geiger) COL <input type="checkbox"/> A	+\$149
Price Category (Geiger) COM <input type="checkbox"/> A	+\$0
Price Category 1	+\$0
Price Category (Geiger) 2	+\$0
Price Category 2	+\$0
Price Category (Geiger) 3	+\$167
Price Category 3	+\$167
Price Category (Geiger) 4	+\$204
Price Category (Geiger) 5	+\$298
Price Category 5	+\$298
Price Category (Geiger) 7	+\$485
Price Category 9	+\$921
Price Category (Geiger) 10	+\$1060
Price Category (Geiger) 11	+\$1187
Price Category 11	+\$1187
Price Category (Geiger) H	+\$491

Step 5. Wood Finish

Low Sheen Finishes (on Ash)

For ash (A)

967 smoked paldao, low sheen <input type="checkbox"/> A	+\$0
969 warm paldao, low sheen <input type="checkbox"/> A	+\$0

Saiba Guest Chair *continued*

Low Sheen Finishes (on Ash)

For ash (A)

G2U	light brown walnut, low sheen A	+\$0
G40	dark brown walnut, low sheen A	+\$0
940	sundance cherry on maple A	+\$0
943	caramel cherry A	+\$0
946	cocoa cherry A	+\$0
956	cocoa sapele A	+\$0
962	toasted walnut, low sheen A	+\$0
963	charred walnut, low sheen A	+\$0
964	bronzed walnut, low sheen A	+\$0
965	smoked walnut, low sheen A	+\$0
966	coffee walnut, low sheen A	+\$0
977	chocolate ash, low sheen A	+\$0
98R	recograin rosewood A	+\$0
991	champagne ash A	+\$0
998	ebony ash A	+\$0
99A	recograin frosty ash A	+\$0
99R	recograin rosewood A	+\$0
99T	recograin teak A	+\$0
9A1	white ash, quarter cut, low sheen A	+\$0
9K1	rift oak, rift cut, low sheen A	+\$0
9K6	burnt oak, rift cut, low sheen A	+\$0
ED	aged cherry A	+\$0
EK	medium red walnut A	+\$0
UX	walnut on cherry A	+\$0

Matte Sheen Finishes (on Ash)

For ash (A)

66A	recograin frosty ash A	+\$0
677	chocolate ash, matte sheen A	+\$0
68R	recograin rosewood A	+\$0
69A	recograin frosty ash A	+\$0
69R	recograin rosewood A	+\$0
69T	recograin teak A	+\$0
6A1	white ash A	+\$0
6K1	rift oak A	+\$0
6K6	burnt oak A	+\$0
ET	clear on ash A	+\$0
EU	oak on ash A	+\$0
EV	walnut on ash A	+\$0
GOU	natural walnut, flat cut, matte sheen A	+\$0

Matte Sheen Finishes (on Ash)

For ash (A)

66G	recograin wenge A	+\$0
68W	recograin walnut, flat cut, matte sheen A	+\$0
69G	recograin wenge A	+\$0
69W	recograin walnut, quarter cut, matte sheen A	+\$0

Low Sheen Finishes (on Ash)

For ash (A)

98W	recograin walnut, flat cut, low sheen A	+\$0
99G	recograin wenge, quarter cut, low sheen A	+\$0
99W	recograin walnut, quarter cut, low sheen A	+\$0

Low Sheen Finishes (on Walnut)

For walnut (W)

967	smoked paldao, low sheen A	+\$0
969	warm paldao, low sheen A	+\$0

Low Sheen Finishes (on Walnut)

For walnut (W)

G2U	light brown walnut, low sheen A	+\$0
G40	dark brown walnut, low sheen A	+\$0
962	toasted walnut, low sheen A	+\$0
963	charred walnut, low sheen A	+\$0
964	bronzed walnut, low sheen A	+\$0
965	smoked walnut, low sheen A	+\$0
966	coffee walnut, low sheen A	+\$0
972	sundance walnut A	+\$0
98R	recograin rosewood A	+\$0
99R	recograin rosewood A	+\$0
EK	medium red walnut A	+\$0

Matte Sheen Finishes (on Walnut)

For walnut (W)

667	smoked paldao, quarter cut, matte sheen A	+\$0
669	warm paldao, quarter cut, matte sheen A	+\$0
662	toasted walnut, matte sheen A	+\$0
663	charred walnut, matte sheen A	+\$0
664	bronzed walnut, matte sheen A	+\$0
665	smoked walnut, matte sheen A	+\$0
666	coffee walnut, matte sheen A	+\$0
68R	recograin rosewood A	+\$0
69R	recograin rosewood A	+\$0
GOU	natural walnut, flat cut, matte sheen A	+\$0

Saiba Guest Chair *continued*

Matte Sheen Finishes (on Walnut)

For walnut (W)

66G	recograin wenge <input type="checkbox"/> A	+\$0
69G	recograin wenge <input type="checkbox"/> A	+\$0

Low Sheen Finishes (on Walnut)

For walnut (W)

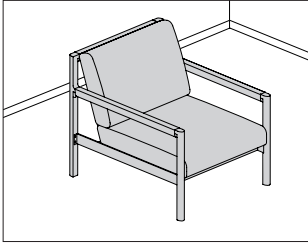
96G	wenge recograin, quarter cut, low sheen <input type="checkbox"/> A	+\$0
99G	recograin wenge, quarter cut, low sheen <input type="checkbox"/> A	+\$0

Step 6. Fire Retardancy

133	cal-133 required <input type="checkbox"/> A	+\$179
NOCAL	no cal-133 required <input type="checkbox"/> A	+\$0

Brabo Lounge Chair

SVV4A
SVV4W



HermanMiller Collection—Lounge Seating

Product Information

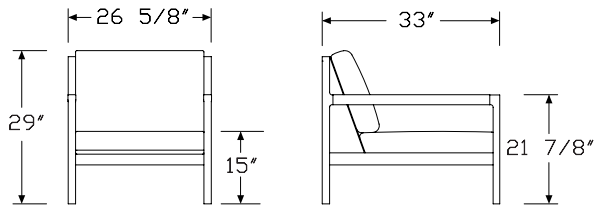
Description

This lounge chair has a solid ash or solid walnut frame with steel-plated metal, leather sling and arm wrap, and upholstered foam cushions.

Notes

Customers Own Material (COM) requires 2 yards for the back and seat cushions. Customers Own Leather (COL) requires 36 square feet for the back and seat cushions, and an additional 27 square feet for the sling and arm wrap. See Order Information in Appendices.

Dimensions



Specification Information

Step 1.

SVV4 A

Step 2. Frame Finish

A ash A

W walnut A

Prices for Steps 1-2.

SVV4A \$2700

SVV4W \$3240

Step 3. Wood Finish

Premium Veneer - Low Sheen

For ash (A)

940	sundance cherry on maple <input type="checkbox"/> A	+\$0
943	caramel cherry <input type="checkbox"/> A	+\$0
946	cocoa cherry <input type="checkbox"/> A	+\$0
956	cocoa sapele <input type="checkbox"/> A	+\$0
962	toasted walnut, low sheen <input type="checkbox"/> A	+\$0
963	charred walnut, low sheen <input type="checkbox"/> A	+\$0
964	bronzed walnut, low sheen <input type="checkbox"/> A	+\$0
965	smoked walnut, low sheen <input type="checkbox"/> A	+\$0
966	coffee walnut, low sheen <input type="checkbox"/> A	+\$0
977	chocolate ash, low sheen <input type="checkbox"/> A	+\$0
98R	recograin rosewood <input type="checkbox"/> A	+\$0
991	champagne ash <input type="checkbox"/> A	+\$0
998	ebony ash <input type="checkbox"/> A	+\$0
99A	recograin frosty ash <input type="checkbox"/> A	+\$0
99R	recograin rosewood <input type="checkbox"/> A	+\$0
99T	recograin teak <input type="checkbox"/> A	+\$0
9A1	white ash, quarter cut, low sheen <input type="checkbox"/> A	+\$0
9K1	rift oak, rift cut, low sheen <input type="checkbox"/> A	+\$0
9K6	burnt oak, rift cut, low sheen <input type="checkbox"/> A	+\$0
ED	aged cherry <input type="checkbox"/> A	+\$0
EK	medium red walnut <input type="checkbox"/> A	+\$0
G2U	light brown walnut, low sheen <input type="checkbox"/> A	+\$0
G40	dark brown walnut, low sheen <input type="checkbox"/> A	+\$0
UX	walnut on cherry <input type="checkbox"/> A	+\$0

Brabo Lounge Chair *continued*

Premium Veneer - Matte		
<i>For ash (A)</i>		
66A	recograin frosty ash <input type="checkbox"/>	+\$0
677	chocolate ash, matte sheen <input type="checkbox"/>	+\$0
68R	recograin rosewood <input type="checkbox"/>	+\$0
69A	recograin frosty ash <input type="checkbox"/>	+\$0
69R	recograin rosewood <input type="checkbox"/>	+\$0
69T	recograin teak <input type="checkbox"/>	+\$0
6A1	white ash <input type="checkbox"/>	+\$0
6K1	rift oak <input type="checkbox"/>	+\$0
6K6	burnt oak <input type="checkbox"/>	+\$0
ET	clear on ash <input type="checkbox"/>	+\$0
EU	oak on ash <input type="checkbox"/>	+\$0
EV	walnut on ash <input type="checkbox"/>	+\$0
GOU	natural walnut, flat cut, matte sheen <input type="checkbox"/>	+\$0

Anigre Veneer - Low Sheen		
<i>For ash (A)</i>		
967	smoked paldao, low sheen <input type="checkbox"/>	+\$0
969	warm paldao, low sheen <input type="checkbox"/>	+\$0

RecoGrain Veneer		
<i>For ash (A)</i>		
66G	recograin wenge <input type="checkbox"/>	+\$0
68W	recograin walnut, flat cut, matte sheen <input type="checkbox"/>	+\$0
69G	recograin wenge, quarter cut, matte sheen <input type="checkbox"/>	+\$0
69W	recograin walnut, quarter cut, matte sheen <input type="checkbox"/>	+\$0

Recon Veneer -		
<i>For ash (A)</i>		
98W	recograin walnut, flat cut, low sheen <input type="checkbox"/>	+\$0
99G	recograin wenge, quarter cut, low sheen <input type="checkbox"/>	+\$0
99W	recograin walnut, quarter cut, low sheen <input type="checkbox"/>	+\$0

Premium Veneer - Low Sheen		
<i>For walnut (W)</i>		
962	toasted walnut, low sheen <input type="checkbox"/>	+\$0
963	charred walnut, low sheen <input type="checkbox"/>	+\$0
964	bronzed walnut, low sheen <input type="checkbox"/>	+\$0
965	smoked walnut, low sheen <input type="checkbox"/>	+\$0
966	coffee walnut, low sheen <input type="checkbox"/>	+\$0
972	sundance walnut <input type="checkbox"/>	+\$0
98R	recograin rosewood <input type="checkbox"/>	+\$0
99R	recograin rosewood <input type="checkbox"/>	+\$0
EK	medium red walnut <input type="checkbox"/>	+\$0
G2U	light brown walnut, low sheen <input type="checkbox"/>	+\$0
G40	dark brown walnut, low sheen <input type="checkbox"/>	+\$0

Premium Veneer - Matte		
<i>For walnut (W)</i>		
662	toasted walnut, matte sheen <input type="checkbox"/>	+\$0
663	charred walnut, matte sheen <input type="checkbox"/>	+\$0
664	bronzed walnut, matte sheen <input type="checkbox"/>	+\$0
665	smoked walnut, matte sheen <input type="checkbox"/>	+\$0
666	coffee walnut, matte sheen <input type="checkbox"/>	+\$0
669	warm paldao, quarter cut, matte sheen <input type="checkbox"/>	+\$0
68R	recograin rosewood <input type="checkbox"/>	+\$0
69R	recograin rosewood <input type="checkbox"/>	+\$0
GOU	natural walnut, flat cut, matte sheen <input type="checkbox"/>	+\$0

Anigre Veneer - Low Sheen		
<i>For walnut (W)</i>		
967	smoked paldao, low sheen <input type="checkbox"/>	+\$0
969	warm paldao, low sheen <input type="checkbox"/>	+\$0

RecoGrain Veneer		
<i>For walnut (W)</i>		
66G	recograin wenge <input type="checkbox"/>	+\$0
69G	recograin wenge <input type="checkbox"/>	+\$0

<i>For walnut (W)</i>		
96G	wenge recograin, quarter cut, low sheen <input type="checkbox"/>	+\$0
99G	recograin wenge, quarter cut, low sheen <input type="checkbox"/>	+\$0

Step 4. Seat/Back Fabric	
Price Category (Geiger) 2	+\$0
Price Category 1	+\$0
Price Category 2	+\$97
Price Category (Geiger) 3	+\$122
Price Category 3	+\$122
Price Category (Geiger) 4	+\$149
Price Category 4	+\$149
Price Category (Geiger) 5	+\$217
Price Category 5	+\$217
Price Category (Geiger) 6	+\$285
Price Category (Geiger) 7	+\$353
Price Category (Geiger) 8	+\$540
Price Category 9	+\$670
Price Category (Geiger) 10	+\$771
Price Category (Geiger) 11	+\$864
Price Category 11	+\$864
Price Category (Geiger) 14	+\$0
Price Category (Geiger) C	+\$108
Price Category (Geiger) D	+\$145
Price Category (Geiger) E	+\$176

Brabo Lounge Chair *continued*

Price Category (Geiger) F	+\$211
Price Category (Geiger) G	+\$287
Price Category (Geiger) H	+\$357
Price Category (Geiger) I	+\$431
Price Category (Geiger) J	+\$505
Price Category (Geiger) K	+\$579
Price Category (Geiger) L	+\$654
Price Category (Geiger) M	+\$728
Price Category (Geiger) N	+\$802
Price Category (Geiger) O	+\$876
Price Category (Geiger) P	+\$948
Price Category (Geiger) Q	+\$1094
Price Category (Geiger) R	+\$1525
Price Category (Geiger) S	+\$1638
Price Category (Geiger) T	+\$1751
Price Category (Geiger) U	+\$1865
Price Category (Geiger) X	+\$2205
Price Category (Geiger) Y	+\$2318
Price Category (Geiger) COL <input type="checkbox"/>	+\$108
Price Category (Geiger) COM <input type="checkbox"/>	+\$0

Step 5. Sling/Arm Leather

Price Category (Geiger) 11	+\$648
Price Category 11	+\$648

Step 6. Base Finish

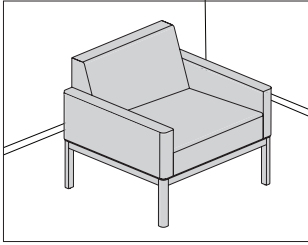
BNZ bronze <input type="checkbox"/>	+\$0
CHR chrome <input type="checkbox"/>	+\$0
SAC satin chrome <input type="checkbox"/>	+\$0

Step 7. Fire Retardancy

NOCAL no cal-133 required <input type="checkbox"/>	+\$0
133 cal-133 required <input type="checkbox"/>	+\$130

Wood Base Club Chair

TT1AA
TT1AW



Product Information

Description

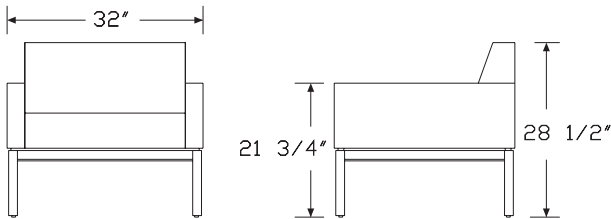
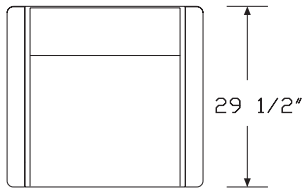
This club chair has a polyurethane foam and Dacron® seat with a solid wood base. Base comes in ash or walnut.

Notes

Fire retardant chair meets CAL 133 requirements.

Customers Own Material (COM) requires 3¼ yards. Customers Own Leather (COL) requires 59 square feet. See Order Information in appendices.

Dimensions



Specification Information

Step 1.

TT1 A

Step 2. Arms

A arms A

Step 3. Wood Finish

A ash A

W walnut A

Prices for Steps 1-3.

TT1AA	\$2570
TT1AW	\$2675

Step 4. Upholstery

Price Category (Geiger) COL <input type="checkbox"/> A	+\$234
Price Category (Geiger) COM <input type="checkbox"/> A	+\$0
Price Category 1	+\$0
Price Category (Geiger) 2	+\$158
Price Category 2	+\$0
Price Category (Geiger) 3	+\$198
Price Category 3	+\$0
Price Category (Geiger) 4	+\$242
Price Category (Geiger) 5	+\$352
Price Category 5	+\$352
Price Category (Geiger) 6	+\$0
Price Category (Geiger) 7	+\$573
Price Category (Geiger) 8	+\$878
Price Category (Geiger) 10	+\$1253
Price Category (Geiger) 11	+\$1403
Price Category 11	+\$1403

Step 5. Leg Finish

Low Sheen Finishes (on Ash)

For ash (A)

967 smoked paldao, low sheen <input type="checkbox"/> A	+\$0
969 warm paldao, low sheen <input type="checkbox"/> A	+\$0

Wood Base Club Chair *continued*

Low Sheen Finishes (on Ash)

For ash (A)

G2U	light brown walnut, low sheen A	+\$0
G40	dark brown walnut, low sheen A	+\$0
940	sundance cherry on maple A	+\$0
943	caramel cherry A	+\$0
946	cocoa cherry A	+\$0
956	cocoa sapele A	+\$0
962	toasted walnut, low sheen A	+\$0
963	charred walnut, low sheen A	+\$0
964	bronzed walnut, low sheen A	+\$0
965	smoked walnut, low sheen A	+\$0
966	coffee walnut, low sheen A	+\$0
977	chocolate ash, low sheen A	+\$0
98R	recograin rosewood A	+\$0
991	champagne ash A	+\$0
998	ebony ash A	+\$0
99A	recograin frosty ash A	+\$0
99R	recograin rosewood A	+\$0
99T	recograin teak A	+\$0
9A1	white ash, quarter cut, low sheen A	+\$0
9K1	rift oak, rift cut, low sheen A	+\$0
9K6	burnt oak, rift cut, low sheen A	+\$0
ED	aged cherry A	+\$0
EK	medium red walnut A	+\$0
UX	walnut on cherry A	+\$0

Matte Sheen Finishes (on Ash)

For ash (A)

66A	recograin frosty ash A	+\$0
677	chocolate ash, matte sheen A	+\$0
68R	recograin rosewood A	+\$0
69A	recograin frosty ash A	+\$0
69R	recograin rosewood A	+\$0
69T	recograin teak A	+\$0
6A1	white ash A	+\$0
6K1	rift oak A	+\$0
6K6	burnt oak A	+\$0
ET	clear on ash A	+\$0
EU	oak on ash A	+\$0
EV	walnut on ash A	+\$0
GOU	natural walnut, flat cut, matte sheen A	+\$0

Matte Sheen Finishes (on Ash)

For ash (A)

66G	recograin wenge A	+\$0
68W	recograin walnut, flat cut, matte sheen A	+\$0
69G	recograin wenge A	+\$0
69W	recograin walnut, quarter cut, matte sheen A	+\$0

Low Sheen Finishes (on Ash)

For ash (A)

98W	recograin walnut, flat cut, low sheen A	+\$0
99G	recograin wenge, quarter cut, low sheen A	+\$0
99W	recograin walnut, quarter cut, low sheen A	+\$0

Low Sheen Finishes (on Walnut)

For walnut (W)

967	smoked paldao, low sheen A	+\$0
969	warm paldao, low sheen A	+\$0

Low Sheen Finishes (on Walnut)

For walnut (W)

962	toasted walnut, low sheen A	+\$0
963	charred walnut, low sheen A	+\$0
964	bronzed walnut, low sheen A	+\$0
965	smoked walnut, low sheen A	+\$0
966	coffee walnut, low sheen A	+\$0
972	sundance walnut A	+\$0
98R	recograin rosewood A	+\$0
99R	recograin rosewood A	+\$0
EK	medium red walnut A	+\$0
G2U	light brown walnut, low sheen A	+\$0
G40	dark brown walnut, low sheen A	+\$0

Low Sheen Finishes (on Walnut)

For walnut (W)

96G	wenge recograin, quarter cut, low sheen A	+\$0
99G	recograin wenge, quarter cut, low sheen A	+\$0

Wood Base Club Chair *continued*

Matte Sheen Finishes (on Walnut)

For walnut (W)

662	toasted walnut, matte sheen	<input type="checkbox"/> A	+\$0
663	charred walnut, matte sheen	<input type="checkbox"/> A	+\$0
664	bronzed walnut, matte sheen	<input type="checkbox"/> A	+\$0
665	smoked walnut, matte sheen	<input type="checkbox"/> A	+\$0
666	coffee walnut, matte sheen	<input type="checkbox"/> A	+\$0
667	smoked paldao, quarter cut, matte sheen	<input type="checkbox"/> A	+\$0
669	warm paldao, quarter cut, matte sheen	<input type="checkbox"/> A	+\$0
68R	recograin rosewood	<input type="checkbox"/> A	+\$0
69R	recograin rosewood	<input type="checkbox"/> A	+\$0
GOU	natural walnut, flat cut, matte sheen	<input type="checkbox"/> A	+\$0

Matte Sheen Finishes (on Walnut)

For walnut (W)

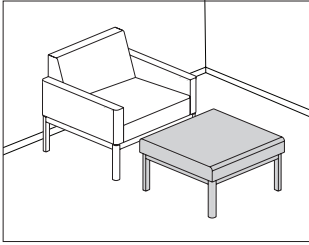
66G	recograin wenge	<input type="checkbox"/> A	+\$0
69G	recograin wenge	<input type="checkbox"/> A	+\$0

Step 6. Fire Retardancy

133	cal-133 required	<input type="checkbox"/> A	+\$176
NOCAL	no cal-133 required	<input type="checkbox"/> A	+\$0

Wood Base Ottoman

TT1BA
TT1BW



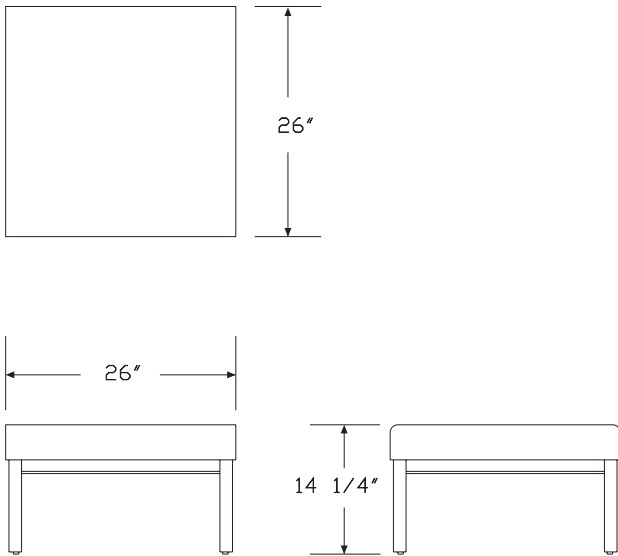
HermanMiller Collection—Lounge Seating

Product Information

Description
This 14³/₄" high ottoman has a polyurethane foam and Dacron® seat with a solid wood base. Base comes in ash or walnut.

Notes
Fire retardant ottoman meets CAL 133 requirements.
Customers Own Material (COM) requires 1¹/₂ yards. Customers Own Leather (COL) requires 35 square feet. See Order Information in appendices.

Dimensions



Specification Information

Step 1.

TT1B

Step 2. Wood Finish

A ash

W walnut

Prices for Steps 1-2.

TT1BA	\$1335
TT1BW	\$1435

Step 3. Upholstery

Price Category (Geiger) COL <input type="checkbox"/>	+\$108
Price Category (Geiger) COM <input type="checkbox"/>	+\$0
Price Category 1	+\$0
Price Category (Geiger) 2	+\$74
Price Category 2	+\$0
Price Category (Geiger) 3	+\$92
Price Category 3	+\$0
Price Category (Geiger) 4	+\$112
Price Category (Geiger) 5	+\$163
Price Category 5	+\$163
Price Category (Geiger) 6	+\$0
Price Category (Geiger) 7	+\$265
Price Category (Geiger) 8	+\$405
Price Category (Geiger) 10	+\$578
Price Category (Geiger) 11	+\$648
Price Category 11	+\$648

Step 4. Leg Finish

Low Sheen Finishes (on Ash)

For ash (A)

967	smoked paldao, low sheen <input type="checkbox"/>	+\$0
969	warm paldao, low sheen <input type="checkbox"/>	+\$0

Wood Base Ottoman *continued*

Low Sheen Finishes (on Ash)

For ash (A)

940	sundance cherry on maple [A]	+\$0
943	caramel cherry [A]	+\$0
946	cocoa cherry [A]	+\$0
956	cocoa sapele [A]	+\$0
962	toasted walnut, low sheen [A]	+\$0
963	charred walnut, low sheen [A]	+\$0
964	bronzed walnut, low sheen [A]	+\$0
965	smoked walnut, low sheen [A]	+\$0
966	coffee walnut, low sheen [A]	+\$0
977	chocolate ash, low sheen [A]	+\$0
98R	recograin rosewood [A]	+\$0
991	champagne ash [A]	+\$0
998	ebony ash [A]	+\$0
99A	recograin frosty ash [A]	+\$0
99R	recograin rosewood [A]	+\$0
99T	recograin teak [A]	+\$0
9A1	white ash, quarter cut, low sheen [A]	+\$0
9K1	rift oak, rift cut, low sheen [A]	+\$0
9K6	burnt oak, rift cut, low sheen [A]	+\$0
ED	aged cherry [A]	+\$0
EK	medium red walnut [A]	+\$0
G2U	light brown walnut, low sheen [A]	+\$0
G40	dark brown walnut, low sheen [A]	+\$0
UX	walnut on cherry [A]	+\$0

Low Sheen Finishes (on Ash)

For ash (A)

98W	recograin walnut, flat cut, low sheen [A]	+\$0
99G	recograin wenge, quarter cut, low sheen [A]	+\$0
99W	recograin walnut, quarter cut, low sheen [A]	+\$0

Matte Sheen Finishes (on Ash)

For ash (A)

66A	frosty ash recograin, quarter cut, matte sheen [A]	+\$0
677	chocolate ash, matte sheen [A]	+\$0
68R	recograin rosewood [A]	+\$0
69A	recograin frosty ash [A]	+\$0
69R	recograin rosewood [A]	+\$0
69T	recograin teak [A]	+\$0
6A1	white ash [A]	+\$0
6K1	rift oak [A]	+\$0
6K6	burnt oak [A]	+\$0
ET	clear on ash [A]	+\$0
EU	oak on ash [A]	+\$0
EV	walnut on ash [A]	+\$0
GOU	natural walnut, flat cut, matte sheen [A]	+\$0

Matte Sheen Finishes (on Ash)

For ash (A)

66G	recograin wenge [A]	+\$0
68W	recograin walnut, flat cut, matte sheen [A]	+\$0
69G	recograin wenge [A]	+\$0
69W	recograin walnut, quarter cut, matte sheen [A]	+\$0

Low Sheen Finishes (on Walnut)

For walnut (W)

967	smoked paldao, low sheen [A]	+\$0
969	warm paldao, low sheen [A]	+\$0

Low Sheen Finishes (on Walnut)

For walnut (W)

962	toasted walnut, low sheen [A]	+\$0
963	charred walnut, low sheen [A]	+\$0
964	bronzed walnut, low sheen [A]	+\$0
965	smoked walnut, low sheen [A]	+\$0
966	coffee walnut, low sheen [A]	+\$0
972	sundance walnut [A]	+\$0
98R	recograin rosewood [A]	+\$0
99R	recograin rosewood [A]	+\$0
EK	medium red walnut [A]	+\$0
G2U	light brown walnut, low sheen [A]	+\$0
G40	dark brown walnut, low sheen [A]	+\$0

Low Sheen Finishes (on Walnut)

For walnut (W)

96G	wenge recograin, quarter cut, low sheen [A]	+\$0
99G	recograin wenge, quarter cut, low sheen [A]	+\$0

Wood Base Ottoman *continued*

HermanMiller Collection—Lounge Seating

Matte Sheen Finishes (on Walnut)

For walnut (W)

662	toasted walnut, matte sheen	<input type="checkbox"/> A	+\$0
663	charred walnut, matte sheen	<input type="checkbox"/> A	+\$0
664	bronzed walnut, matte sheen	<input type="checkbox"/> A	+\$0
665	smoked walnut, matte sheen	<input type="checkbox"/> A	+\$0
666	coffee walnut, matte sheen	<input type="checkbox"/> A	+\$0
667	smoked paldao, quarter cut, matte sheen	<input type="checkbox"/> A	+\$0
669	warm paldao, quarter cut, matte sheen	<input type="checkbox"/> A	+\$0
68R	recograin rosewood	<input type="checkbox"/> A	+\$0
69R	recograin rosewood	<input type="checkbox"/> A	+\$0
GOU	natural walnut, flat cut, matte sheen	<input type="checkbox"/> A	+\$0

Matte Sheen Finishes (on Walnut)

For walnut (W)

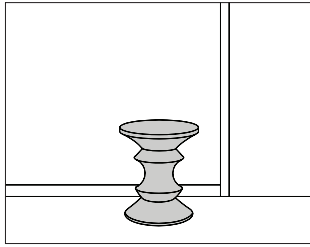
66G	recograin wenge	<input type="checkbox"/> A	+\$0
69G	recograin wenge	<input type="checkbox"/> A	+\$0

Step 5. Fire Retardancy

133	cal-133 required	<input type="checkbox"/> A	+\$98
NOCAL	no cal-133 required	<input type="checkbox"/> A	+\$0

Eames® Walnut Stool

411
412
413

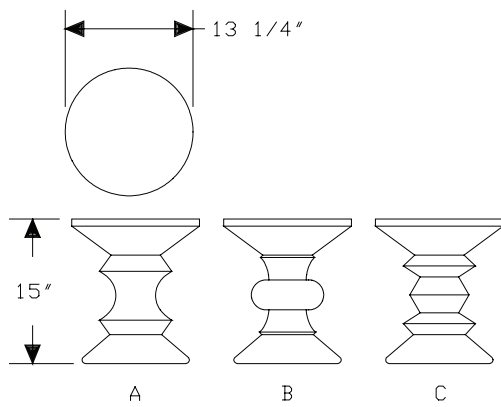


Product Information

Description

This solid walnut stool is available with 3 base shapes.

Dimensions



Specification Information

Step 1.

41 A

Step 2. Shape

1 a shape A

2 b shape A

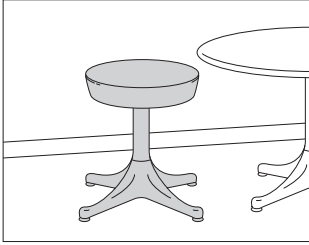
3 c shape A

Prices for Steps 1-2.

411	\$1190
412	\$1190
413	\$1190

Nelson™ Pedestal Stool

PS16



Product Information

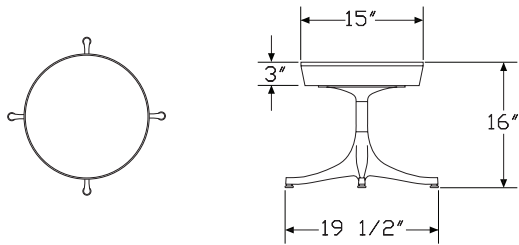
Description

This 16"-high stool has a 4-star, aluminum base with adjustable glides and a 3"-thick upholstered foam seat.

Notes

Customers Own Material (COM) requires 1 yard.

Dimensions



HermanMiller Collection—Stools

Specification Information

Step 1.

PS16 A \$921

Step 2. Base Finish

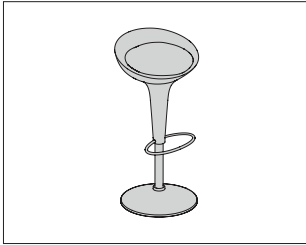
91	white	A	+\$0
98	studio white	A	+\$0
BK	black	A	+\$0
L	polished aluminum	A	+\$0

Step 3. Fabric

Price Category 1	+\$0
Price Category 2	+\$30
Price Category 3	+\$57
Price Category (Geiger) 3	+\$57
Price Category 4	+\$86
Price Category (Geiger) 4	+\$86
Price Category 5	+\$133
Price Category (Geiger) 5	+\$101
Price Category 6	+\$0
Price Category (Geiger) 6	+\$112
Price Category 7	+\$181
Price Category (Geiger) 7	+\$181
Price Category 8	+\$206
Price Category (Geiger) 9	+\$206
Price Category (Geiger) 10	+\$196
Price Category 11	+\$342
Price Category C	+\$57
Price Category F	+\$92
Price Category G	+\$119
Price Category H	+\$145
Price Category I	+\$170
Price Category J	+\$196
Price Category K	+\$221
Price Category L	+\$247
Price Category M	+\$272
Price Category N	+\$298
Price Category Q	+\$375
Price Category X	+\$968
Price Category Y	+\$1019

Al Bombo® Stool

MGB20.



Product Information

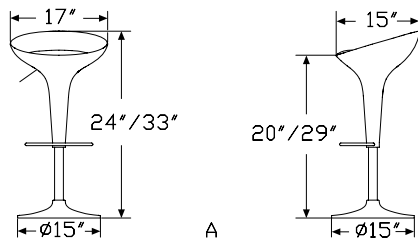
Description

This swivel bar stool has an adjustable height with gas piston. The base, frame, footrest and handle are stainless steel. The seat is polished die-cast aluminum.

Notes

Stool is flame retardant.

Dimensions



Specification Information

Step 1.

MGB20. [A]

Step 2. Height Adjustment

A adjustable height [A]

Prices for Steps 1-2.

MGB20.A

\$1559

Al Bombo® Kit

MGB90.

Product Information

Description

This care kit is recommended to maintain brilliance of aluminum, which is likely to dull overtime.

Notes

Care kit contains:

- 1 tube of abrasive paste (250 gr.)
- 1 tube of protection paste (250 gr.)
- 1 set of special cleaning paper

Specification Information

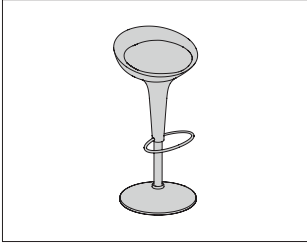
Step 1.

MGB90. A

\$168

Bombo® Stool

MGB21.

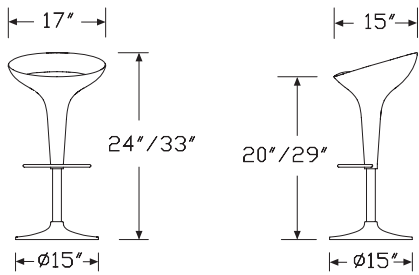


Product Information

Description

This swivel bar stool has an adjustable height with gas piston. The base is steel finished in chrome, and the seat is ABS.

Dimensions



Specification Information

Step 1.

MGB21.

Step 2. Height Adjustment

A adjustable height

Prices for Steps 1-2.

MGB21.A \$896

Step 3. Seat Finish

YDF	brown <input type="checkbox"/>	+\$0
YDM	grey anthracite <input type="checkbox"/>	+\$0
YDT	red <input type="checkbox"/>	+\$0
YDW	white <input type="checkbox"/>	+\$0

Herman Miller Collection—Stools

Deja-Vu Stool

MGD20.



HermanMiller Collection—Stools

Product Information

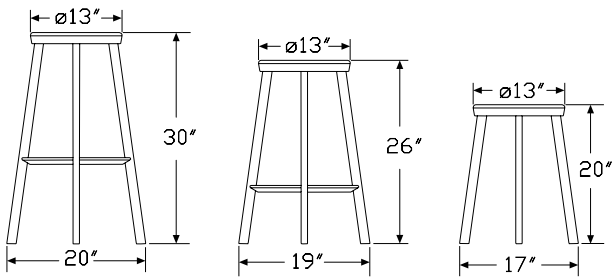
Description

This bar stool is available in a high, medium, and low height. The seat and leg finishes are available in black, white, polished aluminum, red purple and sand beige.

Notes

Black (YFB) finish is suitable for outdoor use.
 Polished aluminum (YFD) finish is NOT suitable for outdoor use.

Dimensions



Specification Information

Step 1.

MGD20. A

Step 2. Height

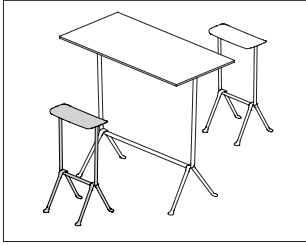
- L** low height A
- M** medium height
- H** high height

Prices for Steps 1-2.

MGD20.L	\$389
M	\$511
H	\$533

Step 3. Seat/Leg Finish

		L	M	H
YFB	black <input type="checkbox"/> A	+\$0	0	0
YFD	polished aluminum <input type="checkbox"/> A	+\$101	102	92
YLT	red purple <input type="checkbox"/> A	+\$0	0	0
YLV	sand beige <input type="checkbox"/> A	+\$0	0	0

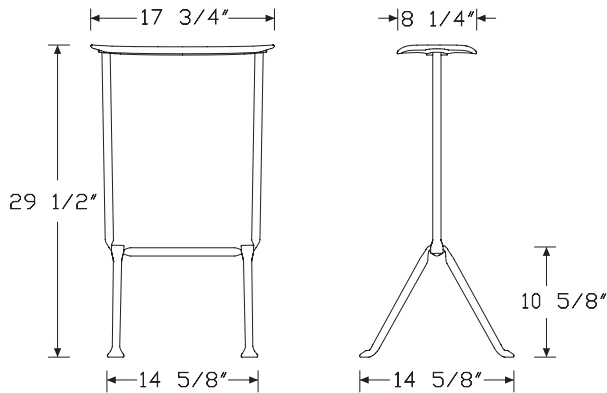


Product Information

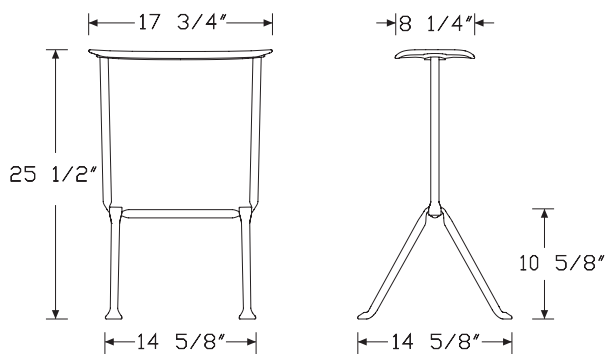
Description

This stool has a wrought iron frame available in a galvanized or painted grey anthracite finish. It is available in high and medium heights. The seat is polypropylene, beech plywood, fabric or leather available in several colors. Stool sold individually. Ships assembled.

Dimensions



High height



Medium height

Specification Information

Step 1.

SD207X

Step 2. Height

H high height

M medium height

Step 3. Seat

F fabric upholstery

L leather upholstery

P polypropylene

W plywood

Prices for Steps 1-3.

	F	L	P	W
SD207X H	\$1089	1169	649	719
M	\$1069	1149	629	699

Step 4. Frame Finish

GLV galvanized +\$0

YCB grey anthracite +\$0

Step 5. Seat Finish

For polypropylene (P)

DKG dark green +\$0

MTG metallized grey +\$0

YCB grey anthracite +\$0

For leather upholstery (L)

YNL natural +\$0

BLK black +\$0

For plywood (W)

YNC natural beech +\$0

YNM black beech +\$0

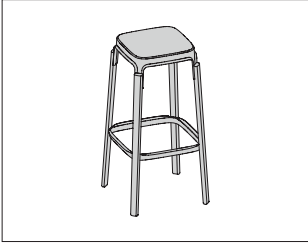
For fabric upholstery (F)

Price Category G +\$0

Price Category H +\$0

Steelwood Stool

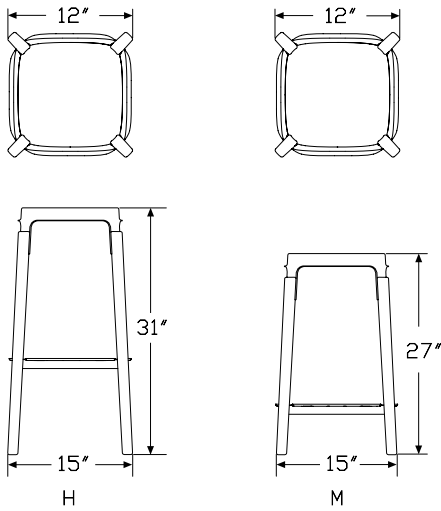
MGS20.



Product Information

Description
 This bar stool is natural beech or oak and comes in high and medium height. The seat and footrest consist of steel plates painted in epoxy resin. The legs are solid beech or oak, available in natural or painted.

Dimensions



HermanMiller Collection-Stools

Specification Information

Step 1.

MGS20. A

Step 2. Height

- M** medium height
- H** high height

Prices for Steps 1-2.

MGS20.M	\$600
H	\$620

Step 3. Leg/Seat/Footrest Finish

YHH	grey anthracite <input type="checkbox"/> A	+\$0
YMB	black <input type="checkbox"/> A	+\$0
YMF	white <input type="checkbox"/> A	+\$0
YMK	natural beech and black <input type="checkbox"/> A	+\$0
YMP	grey <input type="checkbox"/> A	+\$0
YMM	natural beech and white	+\$0
YNP	dark beech and black <input type="checkbox"/> A	+\$0
YNQ	natural oak and white <input type="checkbox"/> A	+\$80
YNR	natural oak and black	+\$80
YNS	natural oak and grey <input type="checkbox"/> A	+\$80
YNT	dark oak and grey anthracite <input type="checkbox"/> A	+\$80
YWF	walnut and black	+\$150

Stool_One

MGE20.



Product Information

Description

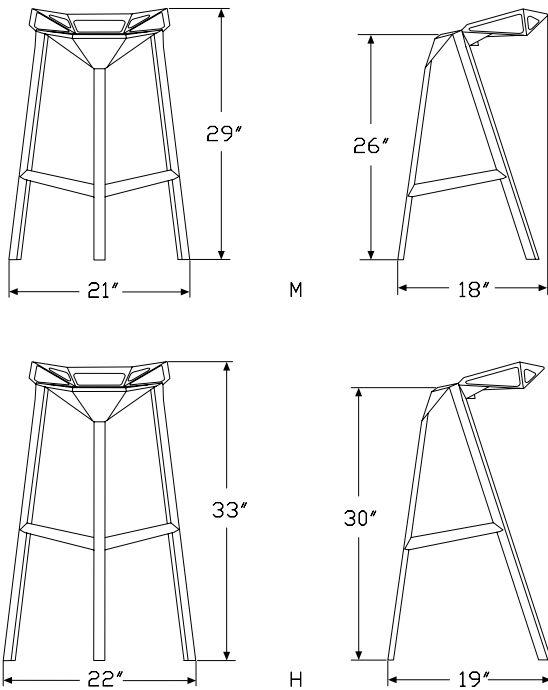
This bar stool comes in a high and medium height. The seat and leg finishes available are painted aluminum, polished aluminum and anodized aluminum black. Bar stools can stack up to 4 high. Package contains 2 bar stools.

Notes

Stool is flame retardant.

Polished aluminum (AL) finish is NOT suitable for outdoor use.

Dimensions



Specification Information

Step 1.

MGE20. [A]

Step 2. Height

M medium height [A]

H high height [A]

Step 3. Seat/Leg Material

AM painted aluminum [A]

AB anodized aluminum black [A]

AL polished aluminum [A]

Prices for Steps 1-3.

	AM	AB	AL
MGE20.M	\$965	1017	1545
H	\$1028	1071	1609

Step 4. Seat/Leg Finish

For painted aluminum (AM)

YHM red [A]			+\$0
YHP white [A]			+\$0
HAA ADAPTA grey [A]			+\$240
HAB ADAPTA white [A]			+\$240
HAC ADAPTA grey/green [A]			+\$240
HAD ADAPTA blue [A]			+\$240

For anodized aluminum black (AB)

YHB black [A]			+\$0
----------------------	--	--	------

For anodized aluminum black (AB)

YHB black [A]			+\$0
----------------------	--	--	------

Stool_One Cushion

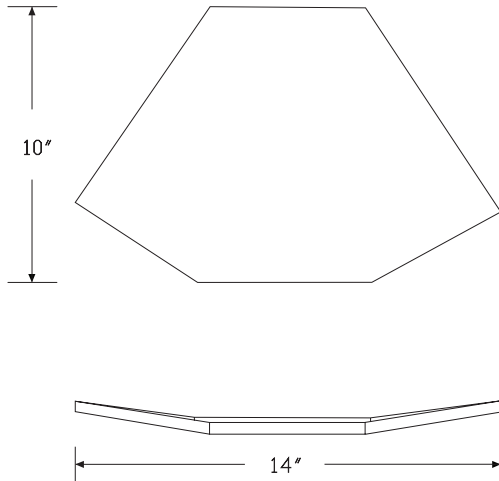
MGE91.



Product Information

Description
This cushion works on Stool_One. Package contains 2 seat cushions.

Dimensions



Specification Information

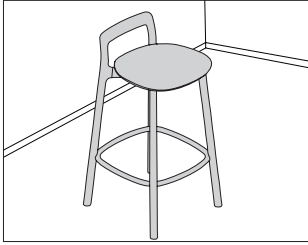
Step 1.
MGE91. A \$317

Step 2. Fabric
YHC black leather A +\$257
YHK natural leather A +\$257

HermanMiller Collection-Stools

Branca Stool

MGR20.

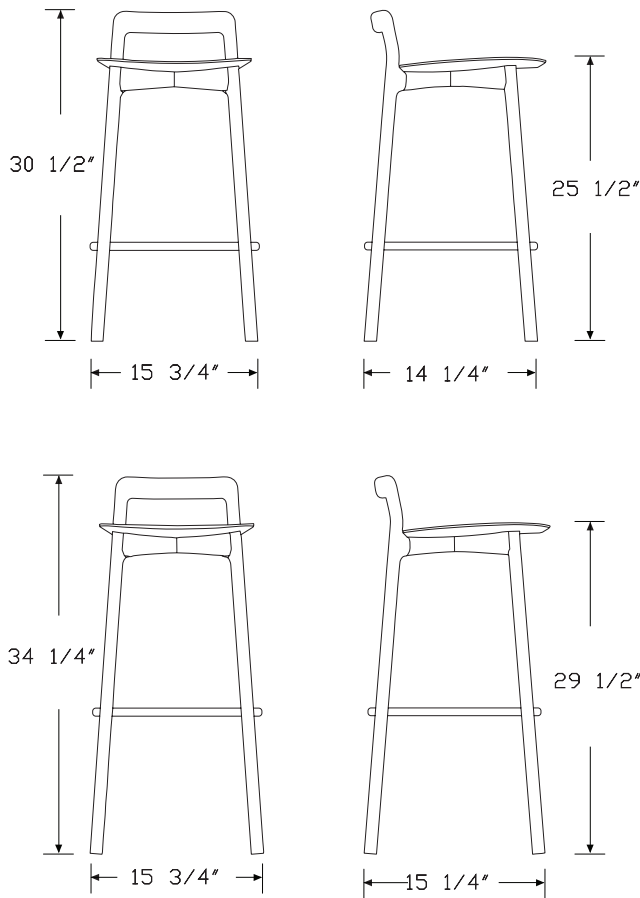


Product Information

Description

This stool has an ash frame and comes in 2 heights and 5 finishes. The foot ring is painted metal in black or white. Upholstered seat cushion is removable.

Dimensions



Specification Information

Step 1.

MGR20.

Step 2. Stool Height

M medium height

H high height

Step 3. Upholstery

N no upholstery

U upholstered seat

Prices for Steps 1-3.

	N	U
MGR20.M	\$1109	1659
H	\$1129	1679

Step 4. Leg/Seat Finish

YRC chocolate/natural seat ash +\$0

YRD green wax ash +\$0

YRF natural wax ash +\$0

YRG white anilin ash +\$0

YRH black mat anilin ash +\$0

Step 5. Stool Ring Finish

YBC black +\$0

YDW white +\$0

Step 6. Fabric

For upholstered seat (U)

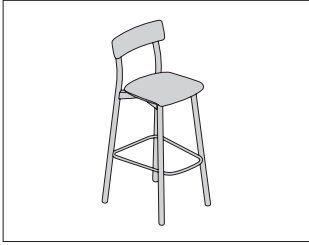
YNV01 novum cocos +\$0

YNV03 novum moss +\$0

YNV05 novum pepper +\$0

Chiaro Stool

MGCH03



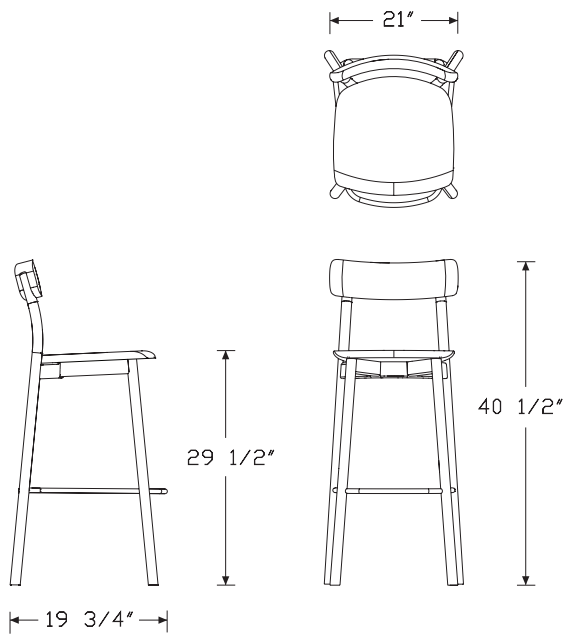
HermanMiller Collection-Stools

Product Information

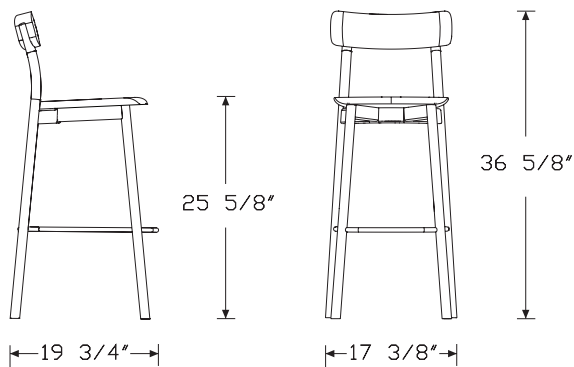
Description

This solid wood stool is available in natural oak or ash in a selection of finishes. It is available in 2 heights with or without a nonremovable upholstered seat pad.

Dimensions



High Height



Medium Height

Specification Information

Step 1.

MGCH03. A

Step 2. Height

H high height A

M medium height A

Step 3. Arm Option

N no arms A

Step 4. Upholstery

N no upholstery A

U upholstered seat A

Prices for Steps 1-4.

		N	U
MGCH03. H	N	\$1060	1560
	M N	\$1040	1540

Step 5. Frame

YSA ash A +\$0

YFC oak A +\$250

Step 6. Finish

For ash (YSA)

YBC black A +\$0

YBP white A +\$0

YDC blue A +\$0

YLW yellow A +\$0

YMP grey A +\$0

YNL natural A +\$0

YRK dark red A +\$0

For oak (YFC)

YNL natural A +\$0

Chiaro Stool *continued*

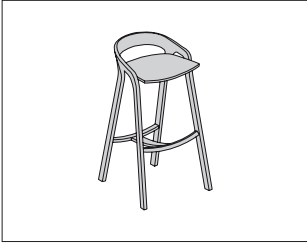
Step 7. Fabric

For upholstered seat (U)

YNV04	novum lanoso	<input type="checkbox"/> A	+\$0
YNV06	novum sunset	<input type="checkbox"/> A	+\$0
YNV07	novum curry	<input type="checkbox"/> A	+\$0
YNV08	novum ebony	<input type="checkbox"/> A	+\$0
YNV09	novum azur	<input type="checkbox"/> A	+\$0
YNV10	novum coral	<input type="checkbox"/> A	+\$0
YNV11	novum kies	<input type="checkbox"/> A	+\$0
YNV13	novum magenta	<input type="checkbox"/> A	+\$0
YNV14	novum prune	<input type="checkbox"/> A	+\$0
YNV15	novum samoa	<input type="checkbox"/> A	+\$0
YNV16	novum snow	<input type="checkbox"/> A	+\$0
YNV17	novum amur	<input type="checkbox"/> A	+\$0

She Said Stool

MGH03.



HermanMiller Collection-Stools

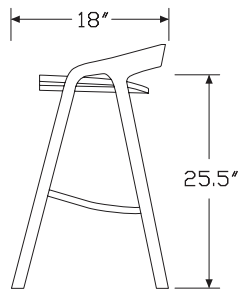
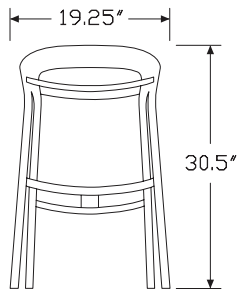
Product Information

Description

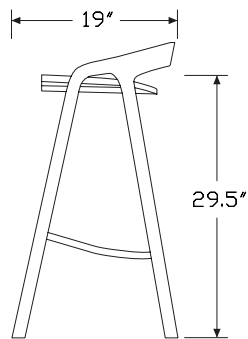
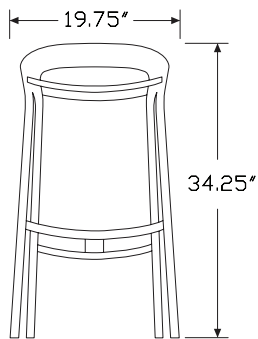
This solid wood stool is available in an ash frame. Seat is available with or without upholstery.

Dimensions

Medium Height



High Height



Specification Information

Step 1.

MGH03.

Step 2. Height

- M** medium height A
- H** high height

Step 3. Upholstery

- N** no upholstery
- U** upholstered seat

Prices for Steps 1-3.

	N	U
MGH03.M	\$1475	2273
H	\$1495	2294

Step 4. Frame Finish

- YQB** black anilin ash A +\$0
- YRG** white anilin ash A +\$0
- ZQ5** anilin ash neon blue +\$0
- YQC** natural ash +\$60

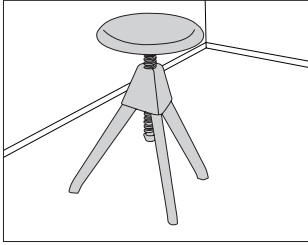
Step 5. Fabric

For upholstered seat (U)

- YDG01** topia ebony +\$0
- YDG02** topia anthrazit +\$0
- YDG03** topia chrome +\$0
- YDG04** topia moon +\$0
- YDG05** topia snow +\$0
- YDG06** topia orion +\$0
- YDG07** topia azur +\$0
- YDG08** topia seashell +\$0
- YDG09** topia litchi +\$0
- YDG10** topia heart +\$0

Tom & Jerry Stool

MGTJ20

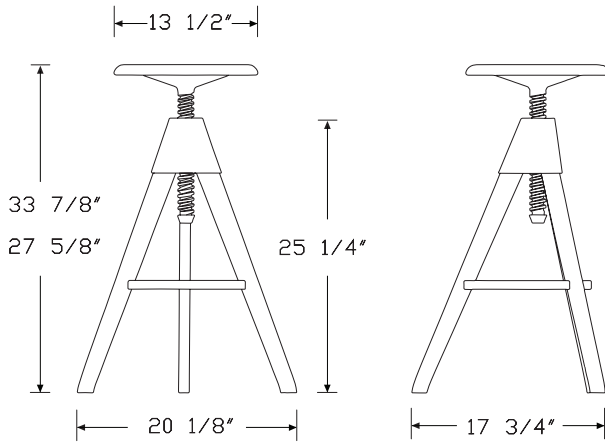


Product Information

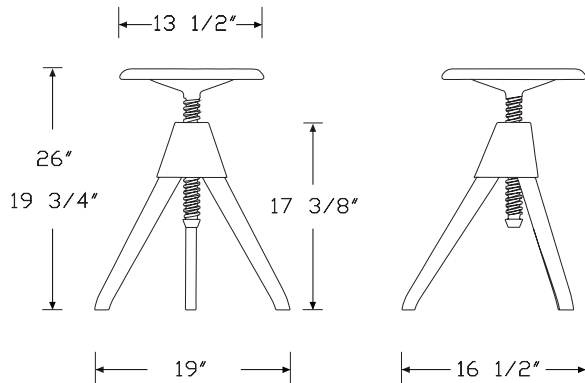
Description

This swivel stool is height adjustable and has a solid beech frame and seat. Frame finish is natural or painted black. Joint and screw are glass filled polypropylene. Seat, joint and screw are available in a range of colors. Available in medium and high heights.

Dimensions



Tom Stool



Jerry Stool

Specification Information

Step 1.

MGTJ20.

Step 2. Height

J medium height A
T high height

Prices for Steps 1-2.

MGTJ20. J	\$620
T	\$800

Step 3. Frame Finish

YNL natural	+\$0
YNG black <input type="checkbox"/> A	+\$20

Step 4. Joint and Screw Finish

For natural (YNL)

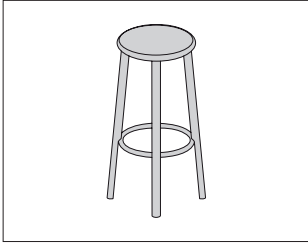
YBM natural seat, orange joint	+\$0
YMN natural seat, light blue joint	+\$0
YBP natural seat, white joint	+\$0
YBC natural seat, black joint	+\$0
YGK red	+\$0
YBH green	+\$0
YLW yellow	+\$0
YPC white	+\$0
YPD black	+\$0
YRM orange	+\$0
YRS light blue	+\$0

For black (YNG)

YBC black <input type="checkbox"/> A	+\$0
---	------

Solo Stool

MGZ02.

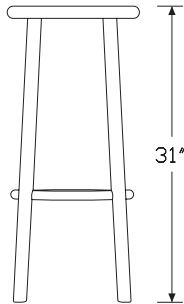
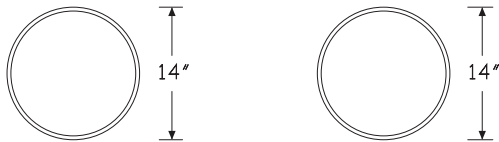


HermanMiller Collection—Stools

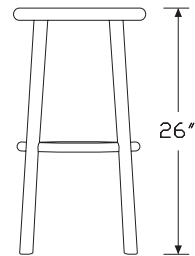
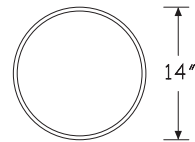
Product Information

Description
This solid wood stool is available in an ash or oak frame.

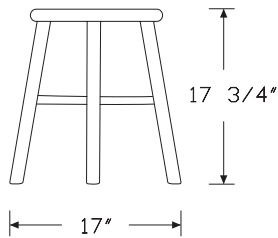
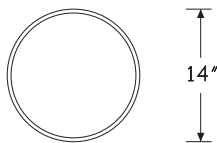
Dimensions



High height



Medium height



Low height

Specification Information

Step 1.

MGZ02. A

Step 2. Height

L low height A

M medium height A

H high height A

Step 3. Upholstery

For low height (L)

N no upholstery

For medium height (M) or high height (H)

N no upholstery A

S upholstered seat A

Prices for Steps 1-3.

	N	S
MGZ02.L	\$730	—
M	\$730	930
H	\$730	930

Step 4. Frame Finish

ZQ1 dark red anilin ash <input type="checkbox"/> A	+\$0
ZQA anilin ash blue/black <input type="checkbox"/> A	+\$0
ZQB anilin ash white <input type="checkbox"/> A	+\$0
ZQC anilin ash neon blue <input type="checkbox"/> A	+\$0
ZQM anilin ash turquoise <input type="checkbox"/> A	+\$0
ZQS natural ash <input type="checkbox"/> A	+\$0
ZQU natural oak waxed <input type="checkbox"/> A	+\$150

Step 5. Fabric

For upholstered seat (S)

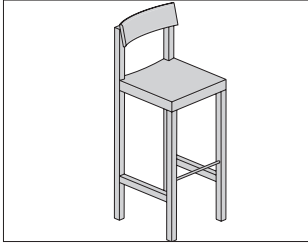
YDD13 white <input type="checkbox"/> A	+\$0
YDD14 red <input type="checkbox"/> A	+\$0
YDD16 dark grey <input type="checkbox"/> A	+\$0
YDD17 black blue <input type="checkbox"/> A	+\$0
YDD19 green <input type="checkbox"/> A	+\$0

Step 6. Stool Ring Finish

ZQ8 black blue <input type="checkbox"/> A	+\$0
ZQ9 grey <input type="checkbox"/> A	+\$0
ZQL white <input type="checkbox"/> A	+\$0
ZQQ red <input type="checkbox"/> A	+\$0

Primo Stool

MC14S.

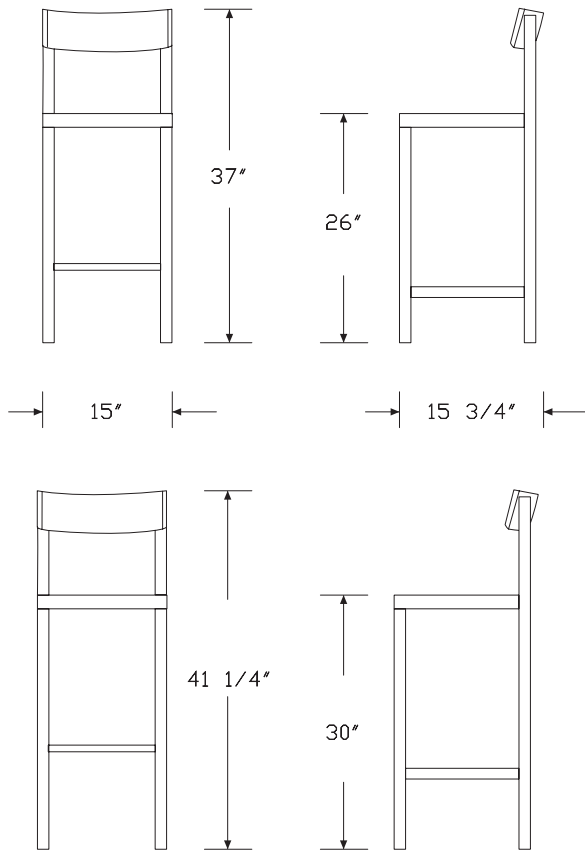


Product Information

Description

This solid wood stool has a beech or oak frame in medium and high heights. A nonremovable upholstered seat pad is available on the oak frame.

Dimensions



Specification Information

Step 1.

MC14S. [A]

Step 2. Stool Height

H high height [A]

M medium height [A]

Step 3. Upholstery

N no upholstery

U upholstered seat [A]

Prices for Steps 1-3.

	N	U
MC14S.H	\$850	1490
M	\$830	1470

Step 4. Frame Finish

For no upholstery (N)

YNC natural beech +\$0

YRB black beech +\$0

For upholstered seat (U)

YFC natural oak [A] +\$640

Step 5. Fabric

For upholstered seat (U)

SL508 sweet leather 508 [A] +\$0

SL510 sweet leather 510 [A] +\$0

SL512 sweet leather 512 [A] +\$0

SLN41 sweet leather N41 [A] +\$0

YLJ dani acquario cuoio leather [A] +\$180

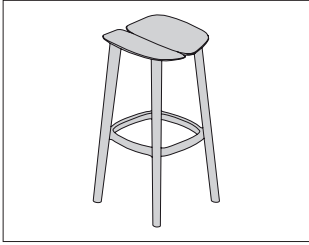
YLK dani acquario marrone 6030 leather [A] +\$180

YLN dani acquario t. moro leather [A] +\$180

YLP dani acquario anthracite leather [A] +\$180

Osso Stool

MGJ01.



Product Information

Description

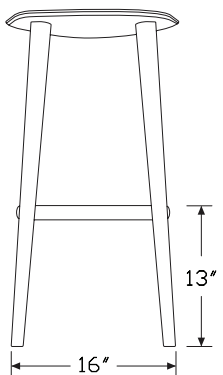
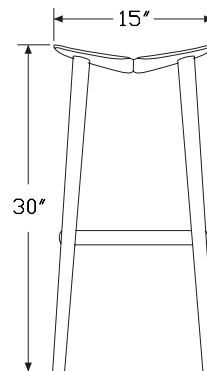
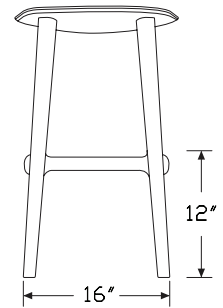
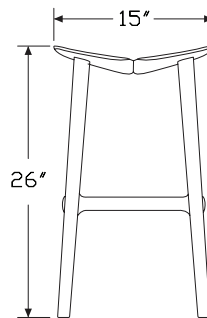
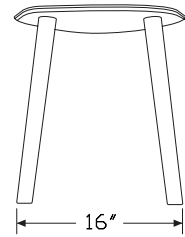
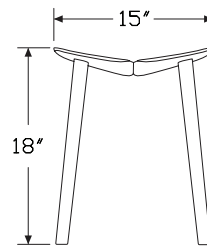
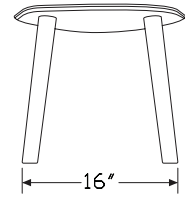
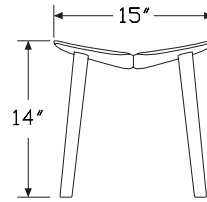
This solid wood stool is available in an ash or oak frame.

Notes

Upholstery not shown.

HermanMiller Collection-Stools

Dimensions



Specification Information

Step 1.

MGJ01. A

Step 2. Height

14 14" high A

18 18" high A

26 26" high A

30 30" high A

Step 3. Upholstery

N no upholstery A

S upholstered seat A

Prices for Steps 1-3.

	N	S
MGJ01. 14	\$850	1450
18	\$875	1475
26	\$1150	1750
30	\$1175	1775

Step 4. Frame Finish

YSB black wax ash A +\$0

YSC blue wax ash A +\$0

YSD green wax ash A +\$0

YSF dark grey wax ash A +\$0

YSG natural wax ash A +\$0

YSH pink wax ash A +\$0

YSJ white wax ash A +\$0

YSL natural wax oak A +\$150

Step 5. Fabric

For upholstered seat (S)

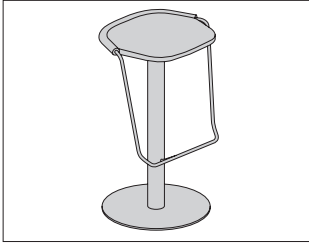
YGR01 gravel 139 A +\$0

YGR02 gravel 149 A +\$0

YGR03 gravel 179 A +\$0

Uncino Stool

MC9S.

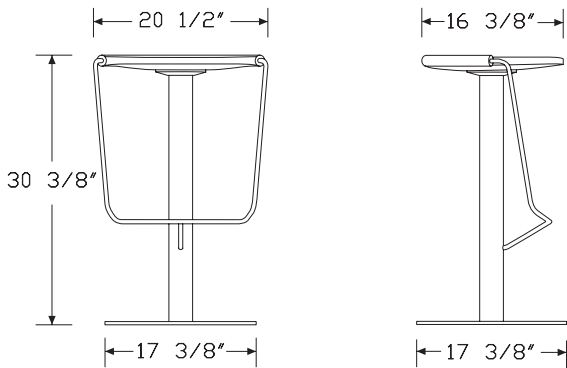


Product Information

Description

This wood stool is available with an ash or oak seat and wire footrest.

Dimensions



Specification Information

Step 1.

MC9S. [A] \$1800

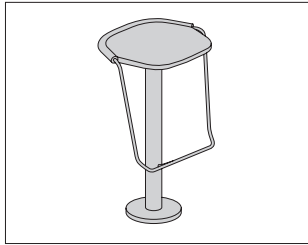
Step 2. Finish

YQB black anilin ash [A] +\$0
YQC natural ash [A] +\$0
YFC natural oak [A] +\$180

HermanMiller Collection-Stools

Uncino Stool, Fixed

MC9F.

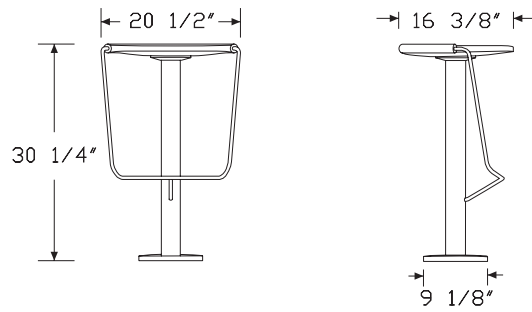


Product Information

Description

This solid wood stool is available with an ash or oak seat and wire footrest. Stool is to be fixed to the floor.

Dimensions



Specification Information

Step 1.

MC9F. A \$1900

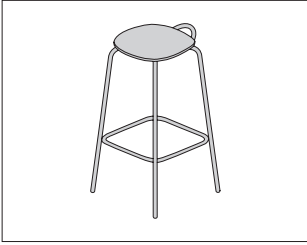
Step 2. Finish

YQC	natural ash	A	+\$0
YQB	black anilin ash	A	+\$0
YFC	natural oak	A	+\$180

HermanMiller Collection—Stools

Forcina Stool

MC16S.

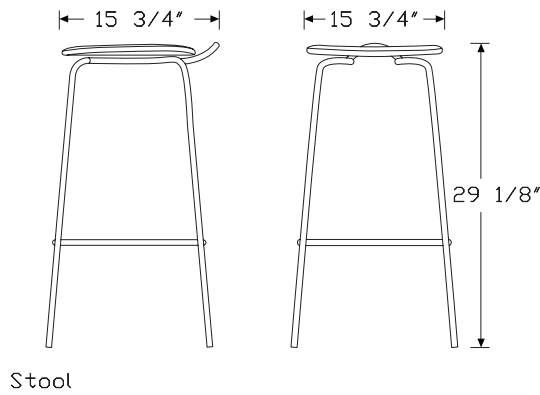
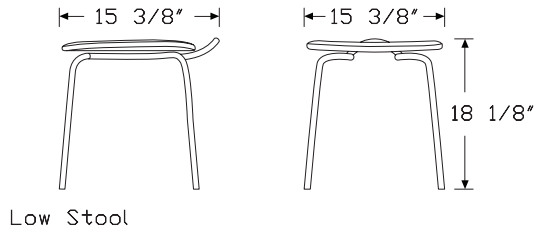


HermanMiller Collection-Stools

Product Information

Description
 This stool has an oak or ash seat. Low or high stool stacks up to 3 high. Ships assembled.

Dimensions



Specification Information

Step 1.

MC16S. A

Step 2. Height

H	high height	<input type="checkbox"/> A	+\$1025
L	low height	<input type="checkbox"/> A	+\$825

Step 3. Frame Finish

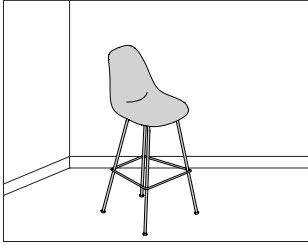
A	black stainless steel	<input type="checkbox"/> A	+\$0
N	brushed stainless steel	<input type="checkbox"/> A	+\$200

Step 4. Seat and Back Finish

YQB	black anilin ash	<input type="checkbox"/> A	+\$0
YQC	natural ash	<input type="checkbox"/> A	+\$0
YFC	natural oak	<input type="checkbox"/> A	+\$75

Eames® Molded Fiberglass Stool

DFHBX.
DFHCX.

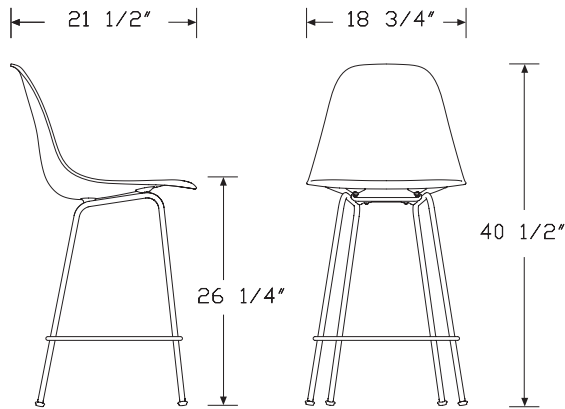


Product Information

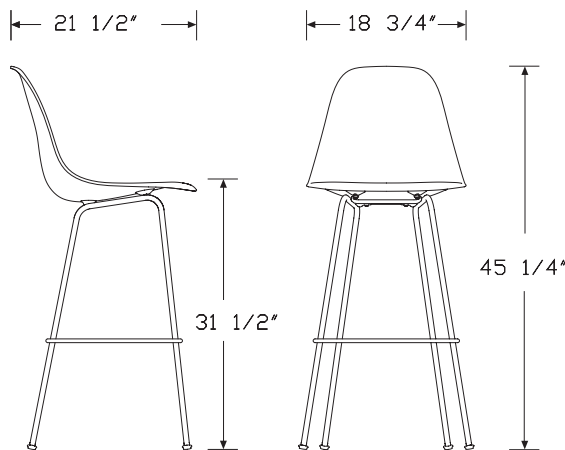
Description

This stool has a single-piece nonupholstered shell with waterfall edges and molded fiberglass seat and flexible back. Standard glides can be ordered with or without felt. Ships assembled.

Dimensions



counter height



bar height

Specification Information

Step 1.

DFH

Step 2. Base Height

CX. counter height stool

BX. bar height stool

Prices for Steps 1-2.

DFHCX.	\$839
DFHBX.	\$859

Step 3. Base Finish

91	white	+\$0
BK	black	+\$0
47	trivalent chrome	+\$40

Step 4. Seat/Back Finish

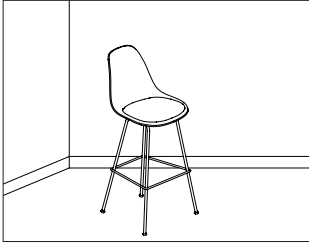
111	parchment	+\$0
112	elephant hide grey	+\$0
113	ultramarine blue	+\$0
114	red orange	+\$0
115	lemon yellow	+\$0
116	green	+\$0
117	navy blue	+\$0
118	black	+\$0
119	seal brown	+\$0

Step 5. Glide Option

E8	standard glide	+\$0
E9	standard glide with felt bottom	+\$25

Eames® Upholstered Molded
Fiberglass Stool

DFHBX.
DFHCX.



Product Information

Description

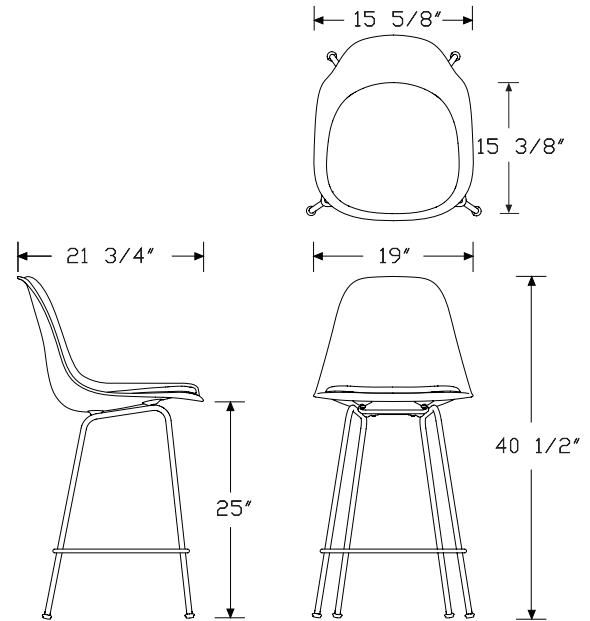
This stool has a molded 1-piece construction with waterfall edges, molded fiberglass seat and flexible back. It has a fully upholstered shell or an attached upholstered seat pad. Seat pad is easily removable for cleaning or reupholstery. Standard glides can be ordered with or without felt. Ships assembled.

Notes

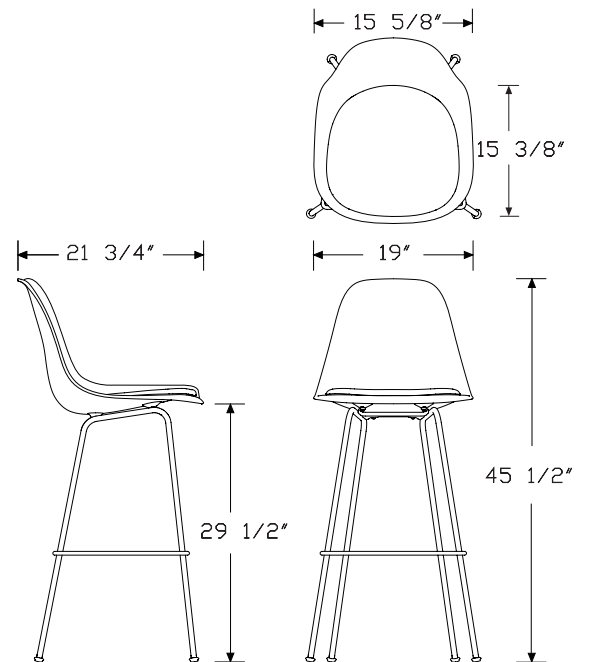
Seat pad is upholstered with textiles or leather for indoor use only. For upholstered seat pad (P), Customer's Own Material (COM) requires 1 yard. Customer's Own Leather (COL) requires 9 square feet. See Order Information in appendices.

HermanMiller Collection—Stools

Dimensions



counter height



bar height

Eames® Upholstered Molded Fiberglass Stool *continued*

Specification Information

Step 1.

DFH A

Step 2. Base Height

CX. counter height A

BX. bar height A

Step 3. Upholstery

U fully upholstered shell A

P upholstered seat pad A

Prices for Steps 1-3.

DFHCX. U \$1054
P \$959

DFHBX. U \$1074
P \$979

Step 4. Base Finish

91 white A +\$0

BK black A +\$0

47 trivalent chrome A +\$40

Step 5. Seat/Back Finish

111 parchment A +\$0

112 elephant hide grey A +\$0

113 ultramarine blue A +\$0

114 red orange A +\$0

115 lemon yellow A +\$0

116 green A +\$0

117 navy blue A +\$0

118 black A +\$0

119 seal brown A +\$0

Step 6. Edge Finish

For fully upholstered shell (U)

111 parchment A +\$0

BK black A +\$0

ZF white A +\$0

Step 7. Upholstery

For fully upholstered shell (U)

Price Category 2 +\$26

Price Category 5 +\$61

Price Category B +\$45

Price Category G +\$212

Price Category H +\$212

Price Category K +\$380

For upholstered seat pad (P)

Price Category 1 +\$0

Price Category 2 +\$26

Price Category 4 +\$34

Price Category 5 +\$61

Price Category 7 +\$115

Price Category 8 +\$151

Price Category 9 +\$216

Price Category 11 +\$262

Price Category B +\$45

Price Category G +\$170

Price Category H +\$210

Price Category K +\$380

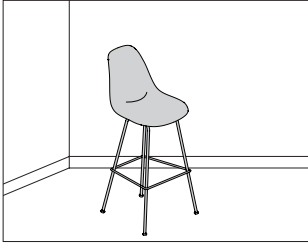
Step 8. Glide Option

E8 standard glide A +\$0

E9 standard glide with felt bottom A +\$25

Eames® Molded Plastic Stool

DSHBX.
DSHCX.

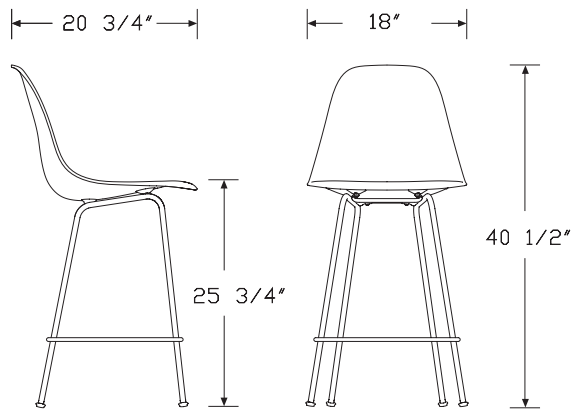


Product Information

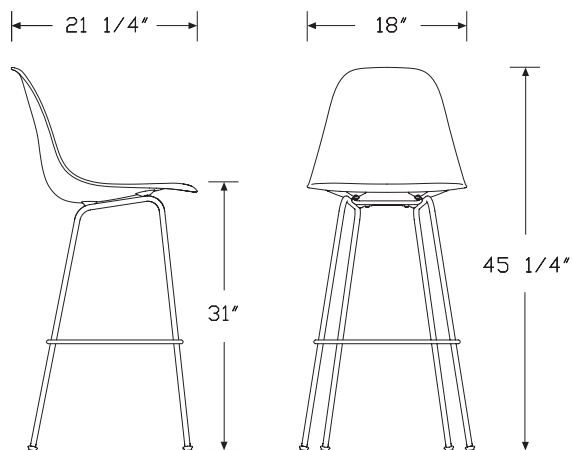
Description

This stool has a single-piece nonupholstered shell with waterfall edges and molded plastic seat and flexible back. Standard glides can be ordered with or without felt. Ships assembled.

Dimensions



counter height



bar height

Specification Information

Step 1.

DSH

Step 2. Base Height

CX. counter height stool

BX. bar height stool

Prices for Steps 1-2.

DSHCX.	\$559
DSHBX.	\$579

Step 3. Base Finish

91	white	+\$0
BK	black	+\$0
47	trivalent chrome	+\$40

Step 4. Seat/Back Finish

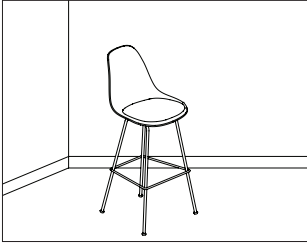
4T	aqua sky	+\$0
5B	java	+\$0
9J	sparrow	+\$0
CHL	charcoal	+\$0
PBL	peacock blue	+\$0
STN	stone	+\$0
ZA	black	+\$0
ZE	red orange	+\$0
ZF	white	+\$0
ZM	alpine	+\$0

Step 5. Glide Option

E8	standard glide	+\$0
E9	standard glide with felt bottom	+\$25

Eames® Upholstered Molded Plastic Stool

DSHBX.
DSHCX.



Product Information

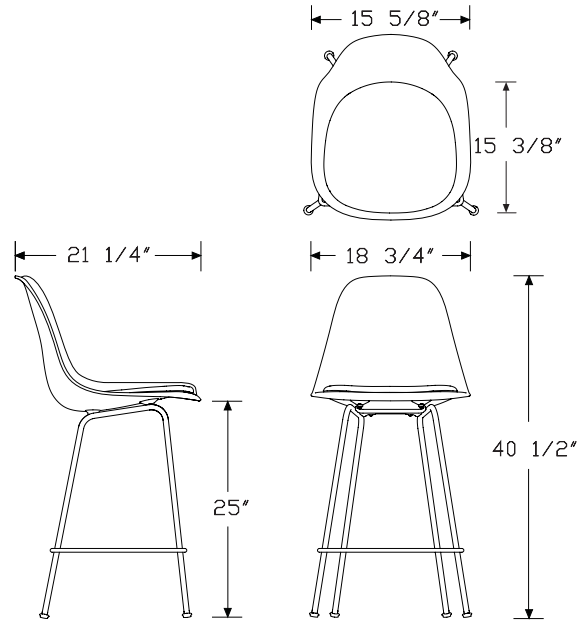
Description

This stool has a molded 1-piece construction with waterfall edges, molded plastic seat and flexible back. It has a fully upholstered shell or an attached upholstered seat pad. Seat pad is easily removable for cleaning or replacement. Standard glides can be ordered with or without felt. Ships assembled.

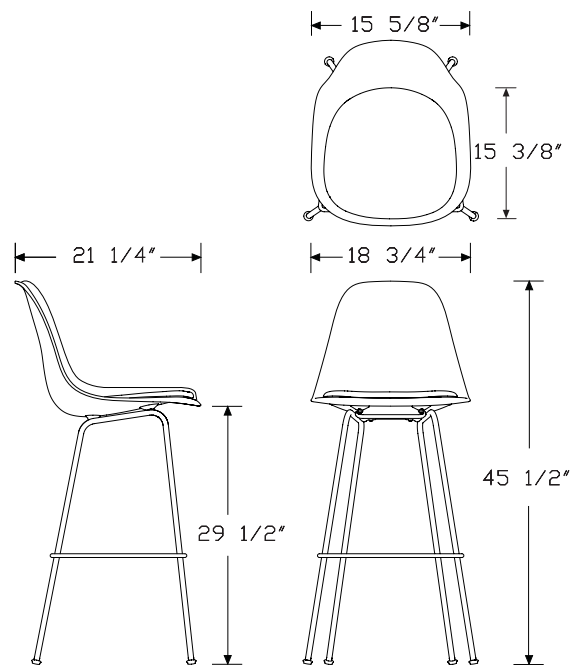
Notes

Seat pad is upholstered with textiles or leather for indoor use only.
For upholstered seat pad (P), Customer's Own Material (COM) requires 1 yard. Customer's Own Leather (COL) requires 9 square feet. See Order Information in appendices.

Dimensions



Counter Height



Bar Height

HermanMiller Collection—Stools

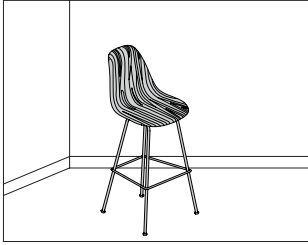
Eames® Upholstered Molded Plastic Stool *continued*

Specification Information		
Step 1.		
DSH	<input type="checkbox"/> A	
Step 2. Base Height		
CX.	counter height <input type="checkbox"/> A	
BX.	bar height <input type="checkbox"/> A	
Step 3. Upholstery		
U	fully upholstered shell <input type="checkbox"/> A	
P	upholstered seat pad <input type="checkbox"/> A	
Prices for Steps 1-3.		
DSHCX.U		\$774
P		\$679
DSHBX.U		\$794
P		\$699
Step 4. Base Finish		
91	white <input type="checkbox"/> A	+\$0
BK	black <input type="checkbox"/> A	+\$0
47	trivalent chrome <input type="checkbox"/> A	+\$40
Step 5. Seat/Back Finish		
4T	aqua sky <input type="checkbox"/> A	+\$0
5B	java <input type="checkbox"/> A	+\$0
9J	sparrow <input type="checkbox"/> A	+\$0
CHL	charcoal <input type="checkbox"/> A	+\$0
PBL	peacock blue <input type="checkbox"/> A	+\$0
STN	stone <input type="checkbox"/> A	+\$0
ZA	black <input type="checkbox"/> A	+\$0
ZE	red orange <input type="checkbox"/> A	+\$0
ZF	white <input type="checkbox"/> A	+\$0
ZM	alpine <input type="checkbox"/> A	+\$0
Step 6. Edge Finish		
<i>For fully upholstered shell (U)</i>		
111	parchment <input type="checkbox"/> A	+\$0
BK	black <input type="checkbox"/> A	+\$0
ZF	white <input type="checkbox"/> A	+\$0

Step 7. Upholstery		
<i>For fully upholstered shell (U)</i>		
Price Category 2	+\$26	
Price Category 5	+\$61	
Price Category B	+\$45	
Price Category G	+\$0	
Price Category H	+\$212	
Price Category K	+\$380	
<i>For upholstered seat pad (P)</i>		
Price Category 1	+\$0	
Price Category 2	+\$26	
Price Category 3	+\$30	
Price Category 4	+\$34	
Price Category 5	+\$61	
Price Category 7	+\$115	
Price Category 8	+\$151	
Price Category 9	+\$216	
Price Category 11	+\$262	
Price Category B	+\$45	
Price Category G	+\$170	
Price Category H	+\$210	
Price Category K	+\$380	
Step 8. Glide Option		
E8	standard glide <input type="checkbox"/> A	+\$0
E9	standard glide with felt bottom <input type="checkbox"/> A	+\$25

Eames® Molded Wood Stool

DWHBX.
DWHCX.

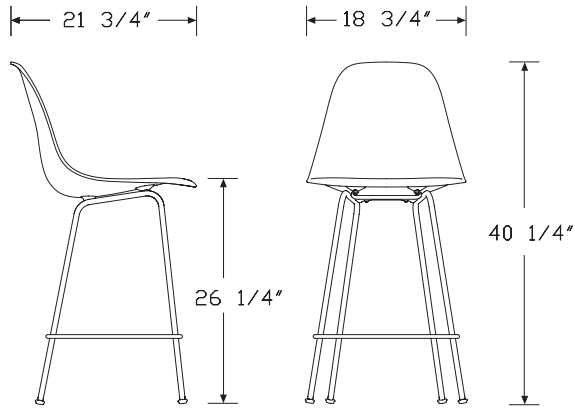


Product Information

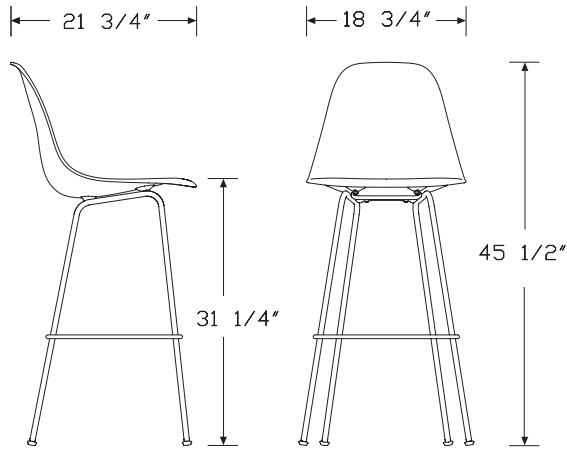
Description

This stool has a single-piece molded construction with waterfall edges, and is 0.260" thick. Base is attached by nonremovable wooden shock mounts. Standard glides can be ordered with or without felt. Ships assembled.

Dimensions



counter height



bar height

Specification Information

Step 1.

DWH

Step 2. Base Height

CX. counter height stool

BX. bar height stool

Prices for Steps 1-2.

DWHCX. \$1149

DWHBX. \$1169

Step 3. Base Finish

91 white +\$0

BK black +\$0

47 trivalent chrome +\$40

Step 4. Seat/Back Finish

OU walnut +\$0

A2 white ash +\$116

EN ebony +\$116

9N santos palisander +\$289

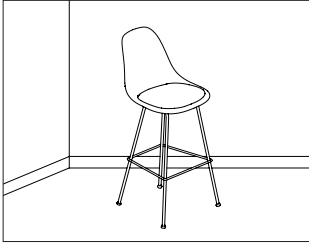
Step 5. Glide Option

E8 standard glide +\$0

E9 standard glide with felt bottom +\$25

Eames® Upholstered Molded Wood Stool

DWHBX.
DWHCX.



Product Information

Description

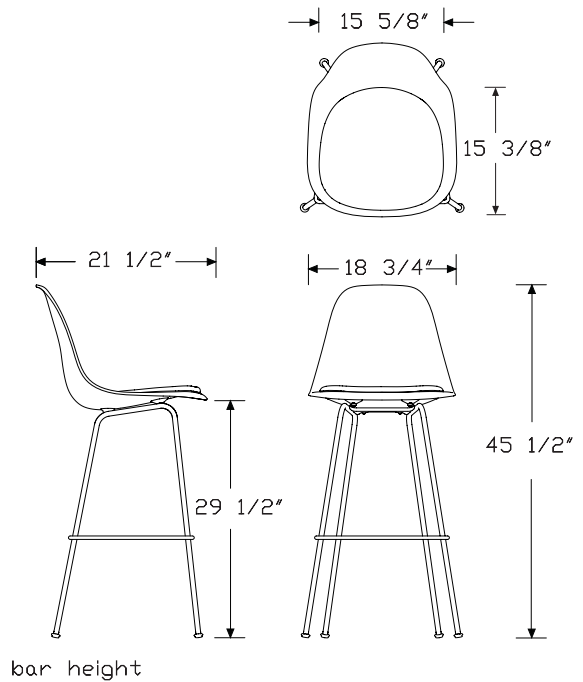
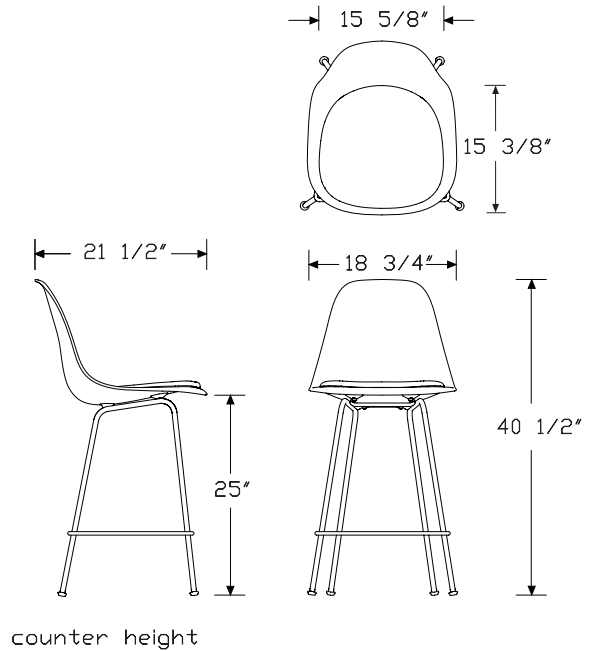
This stool has a molded 1-piece construction with waterfall edges, and is 0.260" thick. It comes with an attached upholstered seat pad that is easily removable for cleaning or reupholstery. Base is attached by nonremovable wooden shock mounts. Base options include bar and counter heights. Standard glides can be ordered with or without felt. Ships assembled.

Notes

Seat pad is upholstered with textiles or leather for indoor use only. Customer's Own Material (COM) requires 1 yard. Customer's Own Leather (COL) requires 9 square feet. See Order Information in appendices.

HermanMiller Collection—Stools

Dimensions



Eames® Upholstered Molded Wood Stool *continued*

Specification Information

Step 1.

DWH A

Step 2. Base Height

BX. bar height A

CX. counter height A

Step 3. Upholstery

P upholstered seat pad A

Prices for Steps 1-3.

DWHBX.P \$1289

DWHCX.P \$1269

Step 4. Base Finish

91 white A +\$0

BK black A +\$0

47 trivalent chrome A +\$40

Step 5. Seat/Back Finish

OU walnut A +\$0

A2 white ash A +\$116

EN ebony A +\$116

9N santos palisander A +\$289

Step 6. Upholstery

Price Category 1 +\$0

Price Category 2 +\$26

Price Category 4 +\$34

Price Category 5 +\$61

Price Category 7 +\$115

Price Category 8 +\$151

Price Category 9 +\$216

Price Category 11 +\$262

Price Category G +\$170

Price Category H +\$210

Price Category K +\$380

Step 7. Glide Option

E8 standard glide A +\$0

E9 standard glide with felt bottom A +\$25

Eames® Wire Stool

DKHBX.
DKHCX.



HermanMiller Collection—Stools

Product Information

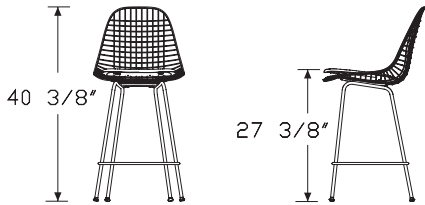
Description

This stool has a wire shell, a wire shell with upholstered seat and back, or a wire shell with upholstered seat and wire back. It comes in bar height or counter height. Wire shell and metal bases are available in trivalent chrome, white or black. Stool comes with standard indoor glides with or without felt. Suitable for indoor use only.

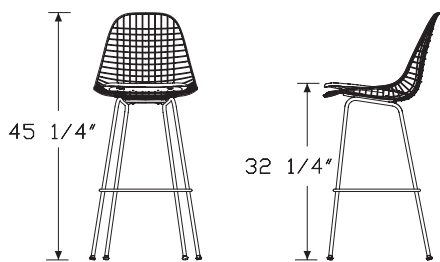
Notes

Customer's Own Material (COM) requires 1 yard. See Order Information in appendices.

Dimensions



Counter Height, Upholstered Seat



Bar Height, Upholstered Seat

Specification Information

Step 1.

DKH A

Step 2. Base Height

BX. bar height stool A

CX. counter height stool A

Step 3. Seat/Back Material

0 wire shell

5 wire shell/upholstered seat/wire back

Prices for Steps 1-3.

DKHBX.0	\$1075
5	\$1325

DKHCX.0	\$1055
5	\$1305

Step 4. Seat Frame/Leg Finish

47	trivalent chrome	+ \$40
91	white	+ \$0
BK	black	+ \$0

Step 5. Upholstery

For wire shell/upholstered seat/wire back (5)

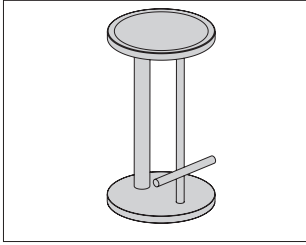
Price Category 1	<input type="checkbox"/> A	+ \$0
Price Category 2		+ \$26
Price Category 4		+ \$34
Price Category 5		+ \$61
Price Category 9		+ \$216
Price Category 11		+ \$262
Price Category G		+ \$170
Price Category H		+ \$210
Price Category K		+ \$380

Step 6. Glide Option

E8	standard glide	<input type="checkbox"/> A	+ \$0
E9	standard glide with felt bottom	<input type="checkbox"/> A	+ \$25

Spot Stool

MAS18
MAS24
MAS30

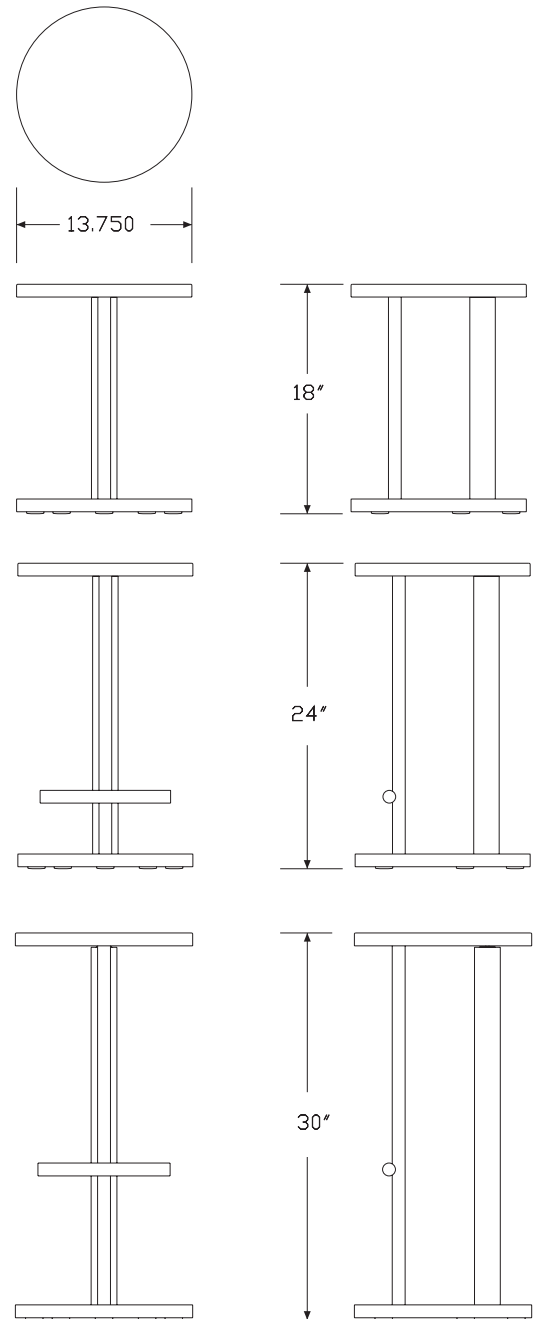


Product Information

Description

This wood and steel stool is available in an 18" occasional height, 24" counter height, and 30" bar height. Counter and bar height stools include a footrest. Stool diameter is 13³/₄".

Dimensions



Specification Information

Step 1.

MAS A

Step 2. Height

18 18" high A

24 24" high A

30 30" high A

Prices for Steps 1-2.

MAS18	\$1455
MAS24	\$1475
MAS30	\$1495

Step 3. Wood Finish

A2 white ash A +\$0

EN ebony on ash A +\$0

OU walnut A +\$100

Step 4. Metal Post and Footrest Finish

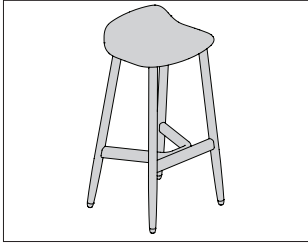
SAC satin chrome A +\$0

BK black A +\$0

BAS brass A +\$50

Crosshatch Stool

SEB1B
SEB1C

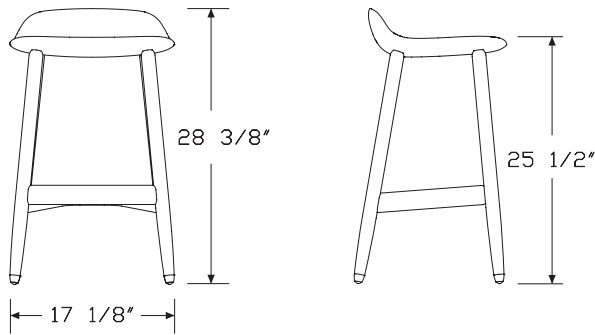


Product Information

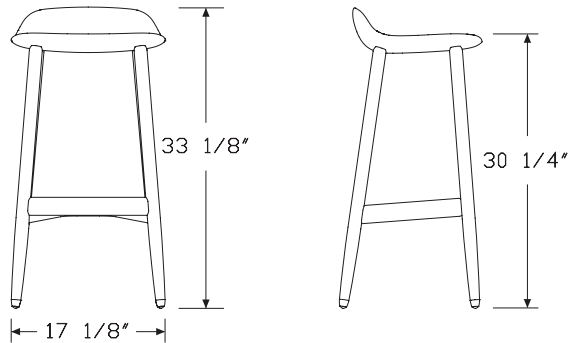
Description

This solid wood stool is available in bar and counter height. Wood options are ash or walnut.

Dimensions



Counter Height



Bar Height

Specification Information

Step 1.

SEB1 A

Step 2. Configuration

CX counter height A

BX bar height A

Step 3. Frame Finish

A ash A

W walnut A

Prices for Steps 1-3.

SEB1CX A	\$1350
W	\$1750

SEB1BX A	\$1370
W	\$1770

Step 4. Wood Finish

Anigre Veneer - Low Sheen

For ash (A)

967 smoked paldao, low sheen <input type="checkbox"/> A	+\$0
--	------

969 warm paldao, low sheen <input type="checkbox"/> A	+\$0
--	------

Premium Veneer - Low Sheen

For ash (A)

G2U	light brown walnut, low sheen A	+\$0
G40	dark brown walnut, low sheen A	+\$0
940	sundance cherry on maple A	+\$0
943	caramel cherry A	+\$0
946	cocoa cherry A	+\$0
956	cocoa sapele A	+\$0
962	toasted walnut, low sheen A	+\$0
963	charred walnut, low sheen A	+\$0
964	bronzed walnut, low sheen A	+\$0
965	smoked walnut, low sheen A	+\$0
966	coffee walnut, low sheen A	+\$0
977	chocolate ash, low sheen A	+\$0
98R	recograin rosewood A	+\$0
991	champagne ash A	+\$0
998	ebony ash A	+\$0
99A	recograin frosty ash A	+\$0
99R	recograin rosewood A	+\$0
99T	recograin teak A	+\$0
9A1	white ash, quarter cut, low sheen A A	+\$0
9K1	rift oak, rift cut, low sheen A	+\$0
9K6	burnt oak, rift cut, low sheen A	+\$0
ED	aged cherry A	+\$0
EK	medium red walnut A	+\$0
UX	walnut on cherry A	+\$0

Premium Veneer - Matte

For ash (A)

66A	recograin frosty ash A	+\$0
677	chocolate ash, matte sheen A	+\$0
68R	recograin rosewood A	+\$0
69A	recograin frosty ash A	+\$0
69R	recograin rosewood A	+\$0
69T	recograin teak A	+\$0
6A1	white ash A	+\$0
6K1	rift oak A	+\$0
6K6	burnt oak A	+\$0
ET	clear on ash A	+\$0
EU	oak on ash A	+\$0
EV	walnut on ash A	+\$0
GOU	natural walnut, flat cut, matte sheen A	+\$0

RecoGrain Veneer

For ash (A)

66G	recograin wenge A	+\$0
68W	recograin walnut, flat cut, matte sheen A	+\$0
69G	recograin wenge A	+\$0
69W	recograin walnut, quarter cut, matte sheen A	+\$0

Recon Veneer -

For ash (A)

98W	recograin walnut, flat cut, low sheen A	+\$0
99G	recograin wenge, quarter cut, low sheen A	+\$0
99W	recograin walnut, quarter cut, low sheen A	+\$0

Anigre Veneer - Low Sheen

For walnut (W)

967	smoked paldao, low sheen A	+\$0
969	warm paldao, low sheen A	+\$0

Premium Veneer - Low Sheen

For walnut (W)

G2U	light brown walnut, low sheen A	+\$0
G40	dark brown walnut, low sheen A	+\$0
962	toasted walnut, low sheen A	+\$0
963	charred walnut, low sheen A	+\$0
964	bronzed walnut, low sheen A	+\$0
965	smoked walnut, low sheen A	+\$0
966	coffee walnut, low sheen A	+\$0
972	sundance walnut A	+\$0
98R	recograin rosewood A	+\$0
99R	recograin rosewood A	+\$0
EK	medium red walnut A	+\$0

Premium Veneer - Matte

For walnut (W)

667	smoked paldao, quarter cut, matte sheen A	+\$0
669	warm paldao, quarter cut, matte sheen A	+\$0
662	toasted walnut, matte sheen A	+\$0
663	charred walnut, matte sheen A	+\$0
664	bronzed walnut, matte sheen A	+\$0
665	smoked walnut, matte sheen A	+\$0
666	coffee walnut, matte sheen A	+\$0
68R	recograin rosewood A	+\$0
69R	recograin rosewood A	+\$0
GOU	natural walnut, flat cut, matte sheen A	+\$0

Crosshatch Stool *continued*

RecoGrain Veneer

For walnut (W)

66G	recoGrain wenge	<input type="checkbox"/> A	+\$0
69G	recoGrain wenge	<input type="checkbox"/> A	+\$0

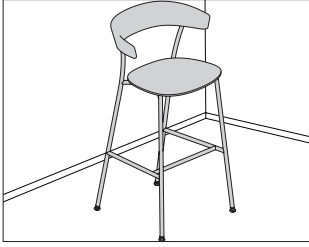
Recon Veneer -

For walnut (W)

96G	wenge recoGrain, quarter cut, low sheen	<input type="checkbox"/> A	+\$0
99G	recoGrain wenge, quarter cut, low sheen	<input type="checkbox"/> A	+\$0

Leeway™ Stool

SVSPB
SVSPC
SVSUA
SVSUW
SVSWA
SVSWW



HermanMiller Collection—Stools

Product Information

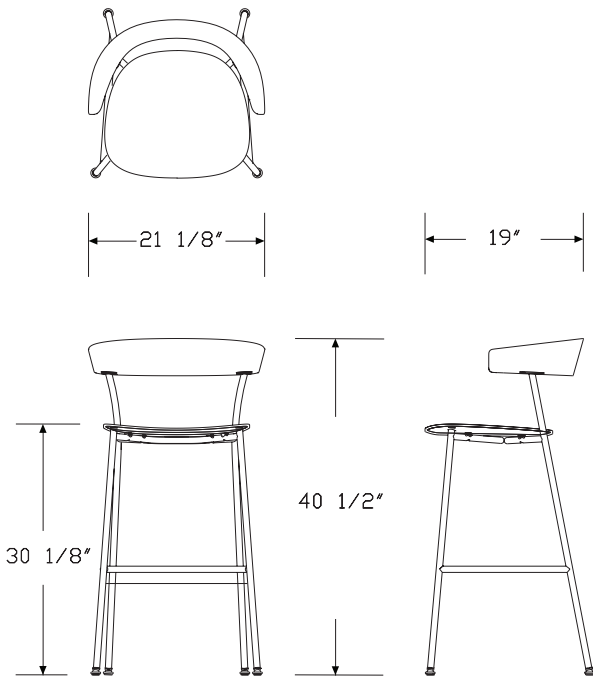
Description

This stool has a solid wood seat and back with a metal frame or a polyurethane seat and back with a metal frame. All options available with or without an upholstered seat.

Notes

Customer's Own Material (COM) requires 1/2 yard. Customer's Own Leather (COL) requires 9 square feet. See Order Information in appendices.

Dimensions



Specification Information

Step 1.

SVS A

Step 2. Seat/Back

U upholstered seat, wood back A

W wood seat and back A

P polyurethane seat and back A

Step 3. Wood Species

A ash A

W walnut A

Step 4. Stool Height

B bar height A

C counter height A

Prices for Steps 1-4.

SVSUA	B	\$1295
	C	\$1285

SVSUW	B	\$1595
	C	\$1585

SVSWA	B	\$1195
	C	\$1185

SVSWW	B	\$1495
	C	\$1485

Step 5. Frame Finish

BK black A +\$0

SAC satin chrome A +\$104

Step 6. Seat/Back Finish

For upholstered seat, wood back (U) or wood seat and back (W) with ash (A)

940	sundance cherry on maple, low sheen <input type="checkbox"/>	+\$0
943	caramel cherry, low sheen <input type="checkbox"/>	+\$0
946	cocoa cherry, low sheen <input type="checkbox"/>	+\$0
956	cocoa sapele, low sheen <input type="checkbox"/>	+\$0
966	coffee walnut, low sheen <input type="checkbox"/>	+\$0
967	smoked paldao, low sheen <input type="checkbox"/>	+\$0
969	warm paldao, low sheen <input type="checkbox"/>	+\$0
96A	recograin frosty ash, low sheen <input type="checkbox"/>	+\$0
96G	recograin wenge, low sheen <input type="checkbox"/>	+\$0
96W	recograin walnut, low sheen <input type="checkbox"/>	+\$0
977	chocolate ash, low sheen <input type="checkbox"/>	+\$0
98R	recograin rosewood, low sheen <input type="checkbox"/>	+\$0
98W	recograin walnut, low sheen <input type="checkbox"/>	+\$0
991	champagne ash, low sheen <input type="checkbox"/>	+\$0
998	ebony ash, low sheen <input type="checkbox"/>	+\$0
99G	recograin wenge, low sheen <input type="checkbox"/>	+\$0
99R	recograin rosewood, low sheen <input type="checkbox"/>	+\$0
99T	recograin teak, low sheen <input type="checkbox"/>	+\$0
99W	recograin walnut, low sheen <input type="checkbox"/>	+\$0
9A1	white ash, low sheen <input type="checkbox"/>	+\$0
9K1	rift oak, low sheen <input type="checkbox"/>	+\$0
9K6	burnt oak, low sheen <input type="checkbox"/>	+\$0
ED	aged cherry, low sheen <input type="checkbox"/>	+\$0
EK	medium red walnut, low sheen <input type="checkbox"/>	+\$0
G2U	light brown walnut, low sheen <input type="checkbox"/>	+\$0
G40	dark brown walnut, low sheen <input type="checkbox"/>	+\$0
UX	walnut on cherry, low sheen <input type="checkbox"/>	+\$0

For upholstered seat, wood back (U) or wood seat and back (W) with ash (A)

662	toasted walnut, matte sheen <input type="checkbox"/>	+\$0
663	charred walnut, matte sheen <input type="checkbox"/>	+\$0
664	bronzed walnut, matte sheen <input type="checkbox"/>	+\$0
665	smoked walnut, matte sheen <input type="checkbox"/>	+\$0
666	coffee walnut, matte sheen <input type="checkbox"/>	+\$0
667	smoked paldao, matte sheen <input type="checkbox"/>	+\$0
669	warm paldao, matte sheen <input type="checkbox"/>	+\$0
66A	recograin frosty ash, matte sheen <input type="checkbox"/>	+\$0
66G	recograin wenge, matte sheen <input type="checkbox"/>	+\$0
66W	recograin walnut, matte sheen <input type="checkbox"/>	+\$0
677	chocolate ash, matte sheen <input type="checkbox"/>	+\$0
69A	recograin frosty ash, matte sheen <input type="checkbox"/>	+\$0
69G	recograin wenge, matte sheen <input type="checkbox"/>	+\$0
69R	recograin rosewood, matte sheen <input type="checkbox"/>	+\$0
69T	recograin teak, matte sheen <input type="checkbox"/>	+\$0
69W	recograin walnut, matte sheen <input type="checkbox"/>	+\$0
6A1	white ash, matte sheen <input type="checkbox"/>	+\$0
6ET	clear on ash, matte sheen <input type="checkbox"/>	+\$0
6EU	clear on oak, matte sheen <input type="checkbox"/>	+\$0
6EV	walnut on ash, matte sheen <input type="checkbox"/>	+\$0
6K1	rift oak, matte sheen <input type="checkbox"/>	+\$0
6K6	burnt oak, matte sheen <input type="checkbox"/>	+\$0
ET	clear on ash, matte sheen <input type="checkbox"/>	+\$0
EU	oak on ash, matte sheen <input type="checkbox"/>	+\$0
EV	walnut on ash, matte sheen <input type="checkbox"/>	+\$0
GOU	walnut, matte sheen <input type="checkbox"/>	+\$0

For upholstered seat, wood back (U) or wood seat and back (W) with walnut (W)

962	toasted walnut, low sheen <input type="checkbox"/>	+\$0
963	charred walnut, low sheen <input type="checkbox"/>	+\$0
964	bronzed walnut, low sheen <input type="checkbox"/>	+\$0
965	smoked walnut, low sheen <input type="checkbox"/>	+\$0
966	coffee walnut, low sheen <input type="checkbox"/>	+\$0
967	smoked paldao, low sheen <input type="checkbox"/>	+\$0
969	warm paldao, low sheen <input type="checkbox"/>	+\$0
96G	recograin wenge, low sheen <input type="checkbox"/>	+\$0
972	sundance walnut, low sheen <input type="checkbox"/>	+\$0
98R	recograin rosewood, low sheen <input type="checkbox"/>	+\$0
99G	recograin wenge, low sheen <input type="checkbox"/>	+\$0
99R	recograin rosewood, low sheen <input type="checkbox"/>	+\$0
EK	medium red walnut, low sheen <input type="checkbox"/>	+\$0
G2U	light brown walnut, low sheen <input type="checkbox"/>	+\$0
G40	dark brown walnut, low sheen <input type="checkbox"/>	+\$0

For upholstered seat, wood back (U) or wood seat and back (W) with walnut (W)

662	toasted walnut, matte sheen <input type="checkbox"/> A	+\$0
663	charred walnut, matte sheen <input type="checkbox"/> A	+\$0
664	bronzed walnut, matte sheen <input type="checkbox"/> A	+\$0
665	smoked walnut, matte sheen <input type="checkbox"/> A	+\$0
666	coffee walnut, matte sheen <input type="checkbox"/> A	+\$0
667	smoked paldao, matte sheen <input type="checkbox"/> A	+\$0
669	warm paldao, matte sheen <input type="checkbox"/> A	+\$0
66G	recograin wenge, matte sheen <input type="checkbox"/> A	+\$0
68R	recograin rosewood, matte sheen <input type="checkbox"/> A	+\$0
69G	recograin wenge, matte sheen <input type="checkbox"/> A	+\$0
69R	recograin rosewood, matte sheen <input type="checkbox"/> A	+\$0
6EV	walnut on ash, matte sheen <input type="checkbox"/> A	+\$0
EV	walnut on ash, matte sheen <input type="checkbox"/> A	+\$0
GOU	walnut, matte sheen <input type="checkbox"/> A	+\$0

For polyurethane seat and back (P)

BK	black <input type="checkbox"/> A	+\$0
-----------	----------------------------------	------

Step 7. Fabric

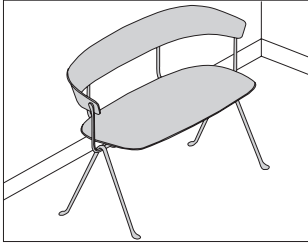
For upholstered seat, wood back (U)

Price Category (Geiger) COL <input type="checkbox"/> A	+\$36
Price Category (Geiger) COM <input type="checkbox"/> A	+\$0
Price Category 1	+\$0
Price Category (Geiger) 2	+\$0
Price Category 2	+\$25
Price Category 3	+\$31
Price Category (Geiger) 3	+\$31
Price Category (Geiger) 4	+\$38
Price Category 5	+\$55
Price Category (Geiger) 5	+\$55
Price Category (Geiger) 6	+\$72
Price Category (Geiger) 7	+\$89
Price Category (Geiger) 7	+\$89
Price Category (Geiger) 8	+\$135
Price Category 9	+\$168
Price Category (Geiger) 10	+\$193
Price Category 11	+\$217
Price Category (Geiger) 11	+\$217
Price Category (Geiger) 14	+\$284
Price Category C	+\$27
Price Category (Geiger) C	+\$45
Price Category (Geiger) D	+\$37
Price Category (Geiger) E	+\$45
Price Category (Geiger) G	+\$73
Price Category (Geiger) H	+\$90
Price Category (Geiger) J	+\$127
Price Category (Geiger) K	+\$146
Price Category (Geiger) L	+\$164
Price Category (Geiger) M	+\$183

Step 8. Fire Retardancy

For upholstered seat, wood back (U)

NOCAL no cal-133 required <input type="checkbox"/> A	+\$0
133 fire retardant <input type="checkbox"/> A	+\$33

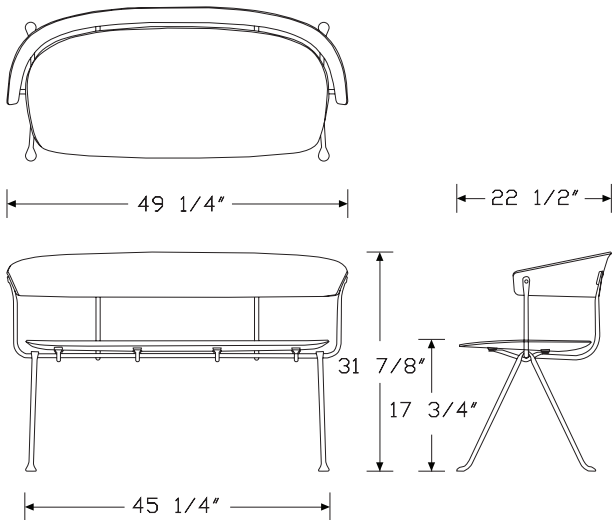


Product Information

Description

This bench has a wrought iron frame available in galvanized or painted grey anthracite finish. Seat and back are available in plywood or fabric upholstery. Ships assembled.

Dimensions



Specification Information

Step 1.

SD222X A

Step 2. Seat & Back

W plywood A

F fabric upholstery A

Prices for Steps 1-2.

SD222X W	\$1995
F	\$2895

Step 3. Frame Finish

GLV galvanized A +\$0

YCB grey anthracite A +\$0

Step 4. Seat & Back Finish

For plywood (W)

YNC natural beech A +\$0

YNM black beech A +\$0

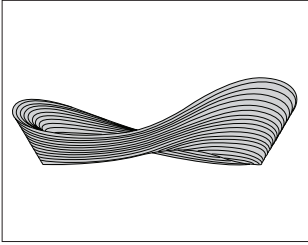
For fabric upholstery (F)

Price Category G +\$0

Price Category H +\$0

Folly

MGC00.

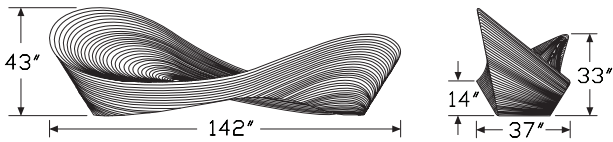


Product Information

Description
 This bench by designer Ron Arad is formed in polyethylene. Suitable for outdoor use.

Notes
 Order floor kit (MGC90.) separately.

Dimensions



Specification Information

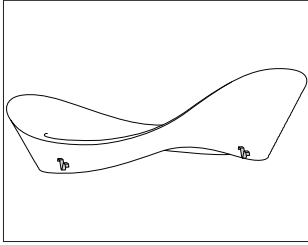
Step 1.
MGC00. A \$6854

Step 2. Finish
RSB rust brown A +\$0

HermanMiller Collection—Benches

Folly Floor Kit

MGC90.



Product Information

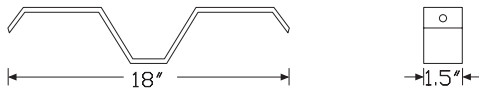
Description

This kit attaches a Folly bench to the floor. Includes 2 galvanized steel plates. Floor anchors not included.

Notes

Customer to supply appropriate anchor system for floor type.

Dimensions



Specification Information

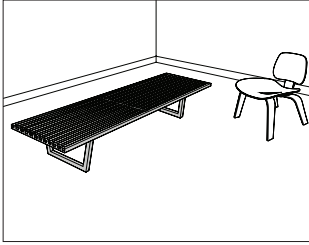
Step 1.

MGC90. A

\$257

Nelson™ Platform Bench

PB.

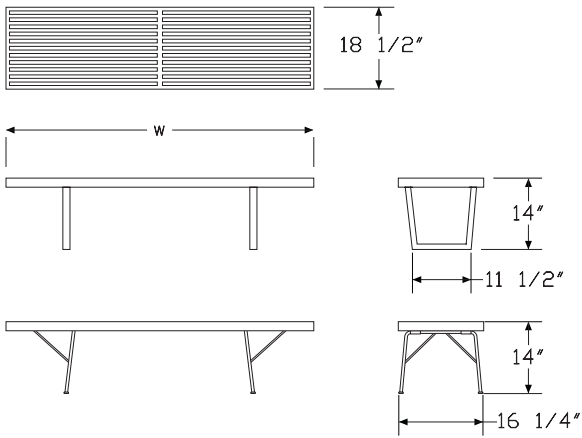


Product Information

Description

This bench has a slatted, clear-coat solid maple or walnut top and an ebonized wood or chrome metal base with metal leveling glides.

Dimensions



HermanMiller Collection—Benches

Specification Information

Step 1.

PB. A

Step 2. Width

48 48" wide A

60 60" wide A

72 72" wide A

Step 3. Base

M trivalent chrome metal base A

W ebonized wood base A

Prices for Steps 1-3.

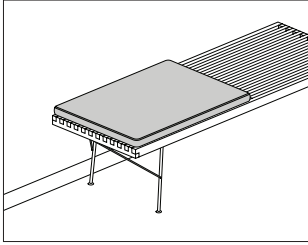
		M	W
PB.	48	\$1164	1164
	60	\$1265	1265
	72	\$1370	1370

Step 4. Slat Finish

		48	60	72
UL	natural maple <input type="checkbox"/> A	+\$209	252	252
OU	walnut <input type="checkbox"/> A	+\$926	1119	1309

Nelson™ Platform Bench Cushion

PBC.



Product Information

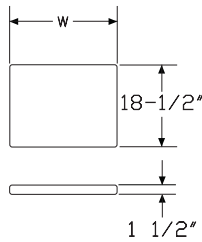
Description

This upholstered cushion fits on a Nelson™ platform bench.

Notes

Customers Own Material (COM) requires 1 yard for 24"-wide cushion and 1½ yards for 36"-wide cushion. Customers Own Leather (COL) requires 15 square feet for 24"-wide cushion and 20 square feet for 36"-wide cushion. See Order Information in appendices.

Dimensions



Specification Information

Step 1.

PBC. A

Step 2. Width

24 24" wide A

36 36" wide A

Step 3. Material

F fabric A

Prices for Steps 1-3.

	F
PBC. 24	\$400
36	\$600

Step 4. Finish

See application chart and textiles list for fabric usage and numbers. First 2 digits of number indicate fabric line; remaining digit(s) indicate fabric color.

	24F	36F
Price Category 1	+\$0	0
Price Category 2	+\$0	0
Price Category 3	+\$17	25
Price Category (Geiger) 3	+\$61	92
Price Category 4	+\$0	0
Price Category (Geiger) 4	+\$33	49
Price Category 5	+\$57	70
Price Category (Geiger) 5	+\$57	70
Price Category 6	+\$62	78
Price Category (Geiger) 6	+\$62	78
Price Category 7	+\$73	88
Price Category (Geiger) 7	+\$73	88
Price Category 8	+\$185	239
Price Category 9	+\$309	325
Price Category 10	+\$340	358
Price Category (Geiger) 10	+\$209	358
Price Category (Geiger) 11	+\$371	390
Price Category 14	+\$445	468
Price Category 10M	+\$468	703
Price Category C	+\$46	70
Price Category D	+\$59	88
Price Category E	+\$71	107
Price Category F	+\$138	171
Price Category G	+\$179	232
Price Category H	+\$218	289
Price Category I	+\$256	346

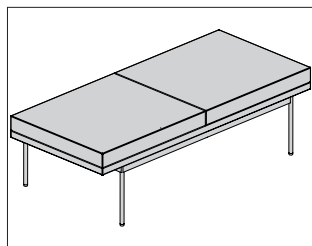
Nelson™ Platform Bench Cushion

continued

Price Category J	+\$294	403
Price Category K	+\$332	459
Price Category L	+\$370	516
Price Category M	+\$519	1038
Price Category N	+\$542	630
Price Category O	+\$485	686
Price Category P	+\$349	743
Price Category Q	+\$375	803
Price Category X	+\$785	1177
Price Category Y	+\$826	1240

Tuxedo Component Lounge™
Bench

ST2BN
ST2BQ



Product Information

Description

This 17"-high bench has a foam and Dacron® seat with a painted or plated steel base.

Notes

Customer's Own Material (COM)/Customer's Own Leather (COL) requires the following:

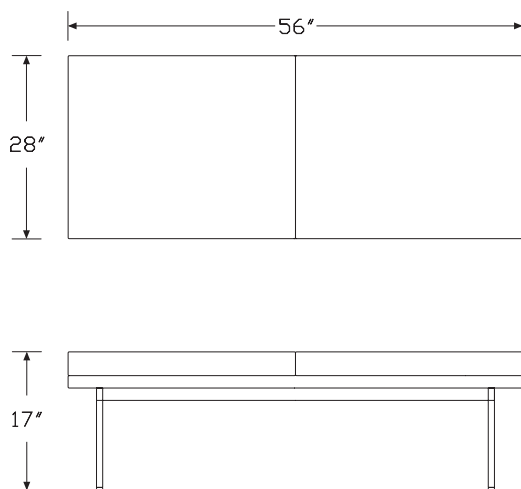
Type—COM—COL

Not quilted—3 yards—54 square feet

Quilted—3 yards—54 square feet

See Order Information in Appendices for more information.

Dimensions



Specification Information

Step 1.

ST2B A

Step 2. Upholstery Type

N not quilted A

Q quilted A

Prices for Steps 1-2.

ST2BN	\$2095
ST2BQ	\$2165

Step 3. Upholstery

For quilted (Q)

Price Category (Geiger) 1	+ \$121
Price Category 1	+ \$0
Price Category (Geiger) 2	+ \$146
Price Category 2	+ \$146
Price Category (Geiger) 3	+ \$183
Price Category 3	+ \$183
Price Category (Geiger) 4	+ \$223
Price Category 4	+ \$223
Price Category (Geiger) 5	+ \$325
Price Category 5	+ \$325
Price Category (Geiger) 6	+ \$427
Price Category (Geiger) 7	+ \$529
Price Category (Geiger) 8	+ \$810
Price Category (Geiger) 9	+ \$1005
Price Category 9	+ \$1005
Price Category (Geiger) 10	+ \$1156
Price Category (Geiger) 11	+ \$1295
Price Category (Geiger) 14	+ \$1697
Price Category (Geiger) A	+ \$102
Price Category (Geiger) C	+ \$164
Price Category (Geiger) D	+ \$217
Price Category (Geiger) E	+ \$263
Price Category (Geiger) F	+ \$316
Price Category (Geiger) G	+ \$430
Price Category (Geiger) H	+ \$535
Price Category (Geiger) I	+ \$646
Price Category (Geiger) J	+ \$758
Price Category (Geiger) K	+ \$869
Price Category (Geiger) L	+ \$980
Price Category (Geiger) M	+ \$1091
Price Category (Geiger) N	+ \$1200
Price Category (Geiger) O	+ \$1314

Tuxedo Component Lounge™ Bench *continued*

Price Category (Geiger) P	+\$1422
Price Category (Geiger) Q	+\$1641
Price Category (Geiger) R	+\$2287
Price Category (Geiger) S	+\$2457
Price Category (Geiger) V	+\$2967
Price Category (Geiger) COM <input type="checkbox"/>	+\$0
Price Category (Geiger) COL <input type="checkbox"/>	+\$216

For not quilted (N)

Price Category (Geiger) 1	+\$121
Price Category 1	+\$0
Price Category (Geiger) 2	+\$146
Price Category 2	+\$146
Price Category (Geiger) 3	+\$183
Price Category 3	+\$183
Price Category (Geiger) 4	+\$223
Price Category 4	+\$223
Price Category (Geiger) 5	+\$325
Price Category 5	+\$325
Price Category (Geiger) 6	+\$427
Price Category (Geiger) 7	+\$529
Price Category (Geiger) 8	+\$810
Price Category (Geiger) 9	+\$1005
Price Category 9	+\$1005
Price Category (Geiger) 10	+\$1156
Price Category (Geiger) 11	+\$1295
Price Category (Geiger) 14	+\$1697
Price Category (Geiger) A	+\$102
Price Category (Geiger) C	+\$164
Price Category (Geiger) D	+\$217
Price Category (Geiger) E	+\$263
Price Category (Geiger) F	+\$316
Price Category (Geiger) G	+\$430
Price Category (Geiger) H	+\$535
Price Category (Geiger) I	+\$646
Price Category (Geiger) J	+\$758
Price Category (Geiger) K	+\$869
Price Category (Geiger) L	+\$980
Price Category (Geiger) M	+\$1091
Price Category (Geiger) N	+\$1200
Price Category (Geiger) O	+\$1314
Price Category (Geiger) P	+\$1422
Price Category (Geiger) Q	+\$1641
Price Category (Geiger) R	+\$2287
Price Category (Geiger) S	+\$2457
Price Category (Geiger) V	+\$2967
Price Category (Geiger) X	+\$3307

Price Category (Geiger) Y	+\$3477
Price Category (Geiger) COM <input type="checkbox"/>	+\$0
Price Category (Geiger) COL <input type="checkbox"/>	+\$216

Step 4. Base Finish

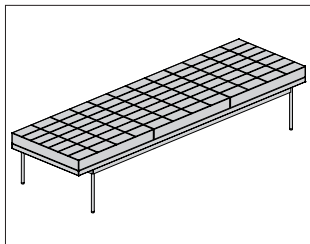
926 black <input type="checkbox"/>	+\$0
AS arctic silver <input type="checkbox"/>	+\$0
WHT white <input type="checkbox"/>	+\$0
BNZ bronze <input type="checkbox"/>	+\$671
CHR chrome <input type="checkbox"/>	+\$671
SAC satin chrome <input type="checkbox"/>	+\$671

Step 5. Fire Retardancy

NOCAL not fire retardant <input type="checkbox"/>	+\$0
133 fire retardant <input type="checkbox"/>	+\$195

Tuxedo Component Lounge™
Museum Bench

ST3BN
ST3BQ



Product Information

Description

This 17"-high museum bench has a foam and Dacron® seat with a painted or plated steel base.

Notes

Customer's Own Material (COM)/Customer's Own Leather (COL) requires the following:

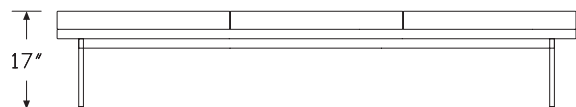
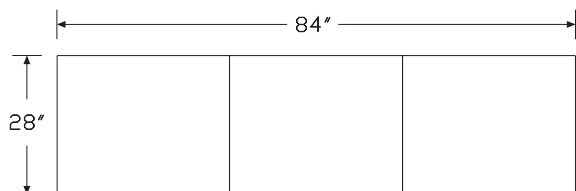
Type—COM—COL

Not quilted—5½ yards—99 square feet

Quilted—5½ yards—99 square feet

See Order Information in Appendices for more information.

Dimensions



Specification Information

Step 1.

ST3B A

Step 2. Upholstery Type

N not quilted A

Q quilted A

Prices for Steps 1-2.

ST3BN	\$2875
ST3BQ	\$2940

Step 3. Upholstery

For quilted (Q)

Price Category (Geiger) 1	+\$222
Price Category 1	+\$0
Price Category (Geiger) 2	+\$267
Price Category 2	+\$267
Price Category (Geiger) 3	+\$335
Price Category 3	+\$335
Price Category (Geiger) 4	+\$408
Price Category 4	+\$408
Price Category (Geiger) 5	+\$596
Price Category 5	+\$596
Price Category (Geiger) 6	+\$782
Price Category (Geiger) 7	+\$970
Price Category (Geiger) 8	+\$1485
Price Category (Geiger) 9	+\$1842
Price Category 9	+\$1842
Price Category (Geiger) 10	+\$2119
Price Category (Geiger) 11	+\$2375
Price Category (Geiger) 14	+\$3111
Price Category (Geiger) A	+\$188
Price Category (Geiger) C	+\$301
Price Category (Geiger) D	+\$397
Price Category (Geiger) E	+\$483
Price Category (Geiger) F	+\$578
Price Category (Geiger) G	+\$788
Price Category (Geiger) H	+\$981
Price Category (Geiger) I	+\$1185
Price Category (Geiger) J	+\$1389
Price Category (Geiger) K	+\$1593
Price Category (Geiger) L	+\$1797
Price Category (Geiger) M	+\$2001
Price Category (Geiger) N	+\$2205
Price Category (Geiger) O	+\$2409

Tuxedo Component Lounge™ Museum Bench *continued*

Price Category (Geiger) P	+\$2606
Price Category (Geiger) Q	+\$3009
Price Category (Geiger) R	+\$4193
Price Category (Geiger) S	+\$4505
Price Category (Geiger) V	+\$5439
Price Category (Geiger) COM <input type="checkbox"/>	+\$0
Price Category (Geiger) COL <input type="checkbox"/>	+\$396

For not quilted (N)

Price Category (Geiger) 1	+\$222
Price Category 1	+\$0
Price Category (Geiger) 2	+\$267
Price Category 2	+\$267
Price Category (Geiger) 3	+\$335
Price Category 3	+\$335
Price Category (Geiger) 4	+\$408
Price Category 4	+\$408
Price Category (Geiger) 5	+\$596
Price Category 5	+\$596
Price Category (Geiger) 6	+\$782
Price Category (Geiger) 7	+\$970
Price Category (Geiger) 8	+\$1485
Price Category (Geiger) 9	+\$1842
Price Category 9	+\$1842
Price Category (Geiger) 10	+\$2119
Price Category (Geiger) 11	+\$2375
Price Category (Geiger) 14	+\$3111
Price Category (Geiger) A	+\$188
Price Category (Geiger) C	+\$301
Price Category (Geiger) D	+\$397
Price Category (Geiger) E	+\$483
Price Category (Geiger) F	+\$578
Price Category (Geiger) G	+\$788
Price Category (Geiger) H	+\$981
Price Category (Geiger) I	+\$1185
Price Category (Geiger) J	+\$1389
Price Category (Geiger) K	+\$1593
Price Category (Geiger) L	+\$1797
Price Category (Geiger) M	+\$2001
Price Category (Geiger) N	+\$2205
Price Category (Geiger) O	+\$2409
Price Category (Geiger) P	+\$2606
Price Category (Geiger) Q	+\$3009
Price Category (Geiger) R	+\$4193
Price Category (Geiger) S	+\$4505
Price Category (Geiger) V	+\$5439
Price Category (Geiger) X	+\$6062

Price Category (Geiger) Y	+\$6374
Price Category (Geiger) COM <input type="checkbox"/>	+\$0
Price Category (Geiger) COL <input type="checkbox"/>	+\$396

Step 4. Base Finish

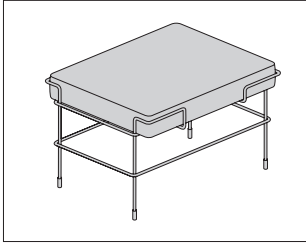
926 black <input type="checkbox"/>	+\$0
AS arctic silver <input type="checkbox"/>	+\$0
WHT white <input type="checkbox"/>	+\$0
BNZ bronze <input type="checkbox"/>	+\$671
CHR chrome <input type="checkbox"/>	+\$671
SAC satin chrome <input type="checkbox"/>	+\$671

Step 5. Fire Retardancy

NOCAL not fire retardant <input type="checkbox"/>	+\$0
133 fire retardant <input type="checkbox"/>	+\$293

Traffic One-Seater Bench
Upholstered

XXSD2

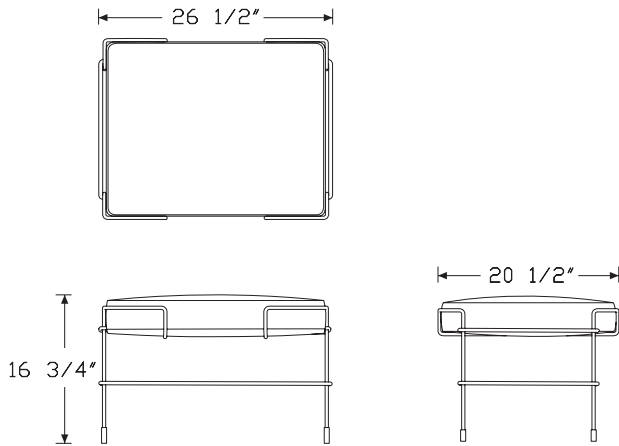


Product Information

Description

This bench has a painted steel rod frame and upholstered cushions with removable covers.

Dimensions



Specification Information

Step 1.

XXSD2730 [A] \$1336

Step 2. Frame Finish

5011	white	[A]	+\$0
5013	black	[A]	+\$0
5016	sepia brown	[A]	+\$0
5017	green blue	[A]	+\$0
5019	signal red	[A]	+\$0
5021	dark green	[A]	+\$0

Step 3. Seat Fabric

For white (5011)

F-088	orange	[A]	+\$0
F-222	light blue	[A]	+\$0
F-266	beige	[A]	+\$0
F-354	green	[A]	+\$0
F-578	yellow	[A]	+\$0
F-741	light grey	[A]	+\$0

For black (5013)

F-521	dark brown	[A]	+\$0
--------------	------------	-----	------

For sepia brown (5016)

F-578	yellow	[A]	+\$0
--------------	--------	-----	------

For green blue (5017)

F-222	light blue	[A]	+\$0
--------------	------------	-----	------

For signal red (5019)

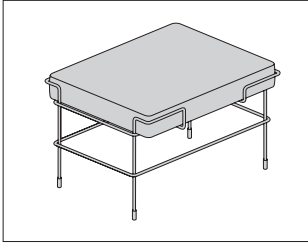
F-088	orange	[A]	+\$0
--------------	--------	-----	------

For dark green (5021)

F-354	green	[A]	+\$0
--------------	-------	-----	------

Traffic One-Seater Bench
 Upholstered (Suitable for Outdoor
 Use)

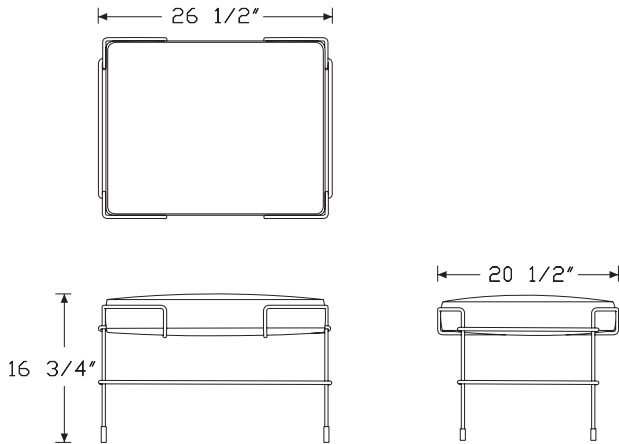
XXSD2



Product Information

Description
 This bench has a painted steel rod frame and upholstered cushions with removable covers. Suitable for outdoor use.

Dimensions

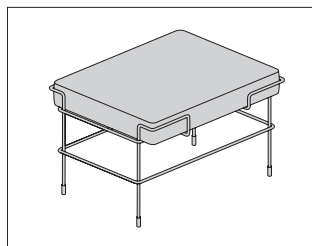


HermanMiller Collection—Benches

Specification Information

Step 1.		
XXSD2731	A	\$1554
Step 2. Frame Finish		
5011	white A	+\$0
Step 3. Seat Fabric		
F-227	turquoise A	+\$0
F-257	blue A	+\$0
F-737	white A	+\$0
F-769	black A	+\$0

Traffic One-Seater Bench Leather XXSD2

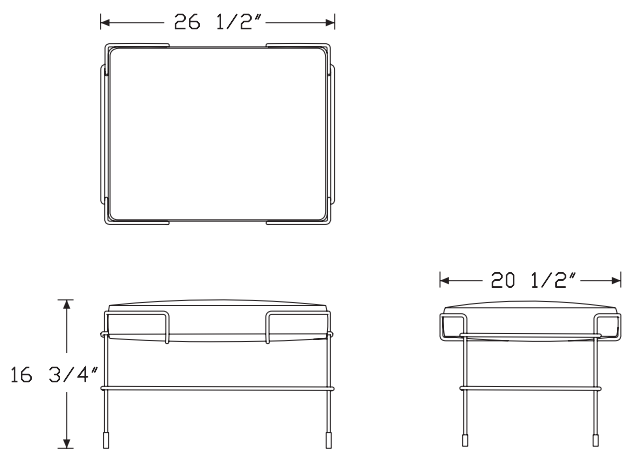


Product Information

Description

This bench has a painted steel rod frame and upholstered cushions with removable covers.

Dimensions



Specification Information

Step 1.

XXSD2734 [A] \$1986

Step 2. Frame Finish

5011 white [A] +\$0
5013 black [A] +\$0
5016 sepia brown [A] +\$0
5021 dark green [A] +\$0

Step 3. Seat Fabric

For white (5011)

L-0111 brown l [A] +\$0
L-0706 cream white l [A] +\$0

For black (5013)

L-0060 anthracite grey l [A] +\$0

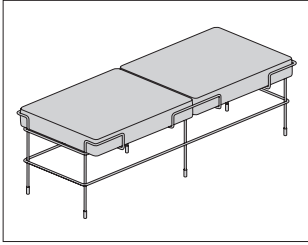
For dark green (5021)

L-0111 brown l [A] +\$0
L-0752 dark brown l [A] +\$0

Herman Miller Collection - Benches

Traffic Two-Seater Bench Upholstered

XXSD2

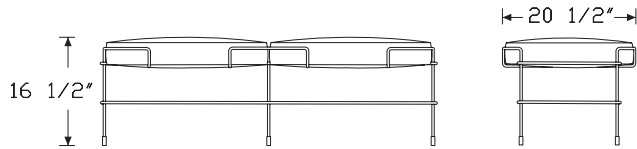
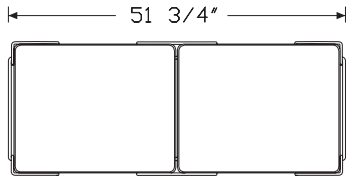


Product Information

Description

This bench has a painted steel rod frame and upholstered cushions with removable covers.

Dimensions



HermanMiller Collection—Benches

Specification Information

Step 1.

XXSD2740 A \$2340

Step 2. Frame Finish

5011	white	A	+\$0
5013	black	A	+\$0
5016	sepia brown	A	+\$0
5017	green blue	A	+\$0
5019	signal red	A	+\$0
5021	dark green	A	+\$0

Step 3. Seat Fabric

For white (5011)

F-088	orange	A	+\$0
F-222	light blue	A	+\$0
F-266	beige	A	+\$0
F-354	green	A	+\$0
F-578	yellow	A	+\$0
F-741	light grey	A	+\$0

For black (5013)

F-521	dark brown	A	+\$0
--------------	------------	---	------

For sepia brown (5016)

F-578	yellow	A	+\$0
--------------	--------	---	------

For green blue (5017)

F-222	light blue	A	+\$0
--------------	------------	---	------

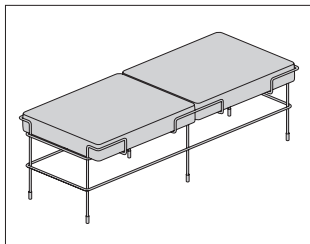
For signal red (5019)

F-088	orange	A	+\$0
--------------	--------	---	------

For dark green (5021)

F-354	green	A	+\$0
--------------	-------	---	------

Traffic Two-Seater Bench XXSD2
 Upholstered (Suitable for Outdoor Use)

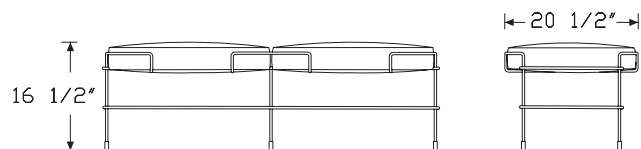
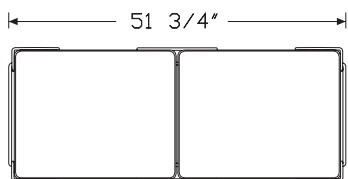


Product Information

Description

This bench has a painted steel rod frame and upholstered cushions with removable covers. Suitable for outdoor use.

Dimensions



Specification Information

Step 1.

XXSD2741 A \$2670

Step 2. Frame Finish

5011 white A + \$0

Step 3. Seat Fabric

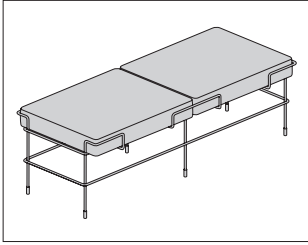
F-227 turquoise A + \$0

F-257 blue A + \$0

F-737 white A + \$0

F-769 black A + \$0

Traffic Two-Seater Bench Leather XXSD2

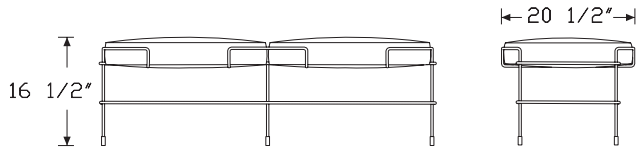
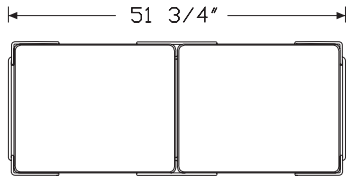


Product Information

Description

This bench has a painted steel rod frame and upholstered cushions with removable covers.

Dimensions



HermanMiller Collection—Benches

Specification Information

Step 1.

XXSD2744 A \$3645

Step 2. Frame Finish

- 5011** white A +\$0
- 5013** black A +\$0
- 5016** sepia brown A +\$0
- 5021** dark green A +\$0

Step 3. Seat Fabric

For white (5011)

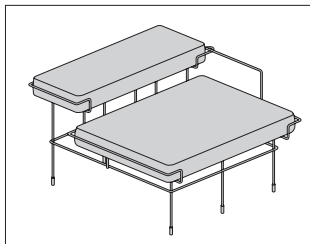
- L-0111** brown l A +\$0
- L-0706** cream white l A +\$0

For black (5013)

- L-0060** anthracite grey l A +\$0

For dark green (5021)

- L-0111** brown l A +\$0
- L-0752** dark brown l A +\$0

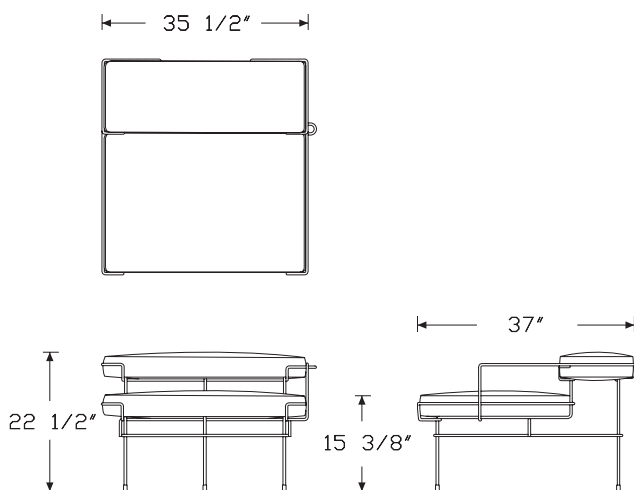


Product Information

Description

This platform bench has a painted steel rod frame and upholstered cushions with removable covers.

Dimensions



Specification Information

Step 1.

XXSD2750 [A] \$2558

Step 2. Frame Finish

5011	white	[A]	+\$0
5013	black	[A]	+\$0
5016	sepia brown	[A]	+\$0
5017	green blue	[A]	+\$0
5019	signal red	[A]	+\$0
5021	dark green	[A]	+\$0

Step 3. Seat Fabric

For white (5011)

F-088	orange	[A]	+\$0
F-222	light blue	[A]	+\$0
F-266	beige	[A]	+\$0
F-354	green	[A]	+\$0
F-578	yellow	[A]	+\$0
F-741	light grey	[A]	+\$0

For black (5013)

F-521	dark brown	[A]	+\$0
--------------	------------	-----	------

For sepia brown (5016)

F-578	yellow	[A]	+\$0
--------------	--------	-----	------

For green blue (5017)

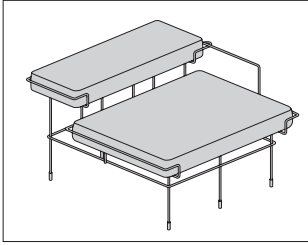
F-222	light blue	[A]	+\$0
--------------	------------	-----	------

For signal red (5019)

F-088	orange	[A]	+\$0
--------------	--------	-----	------

For dark green (5021)

F-354	green	[A]	+\$0
--------------	-------	-----	------

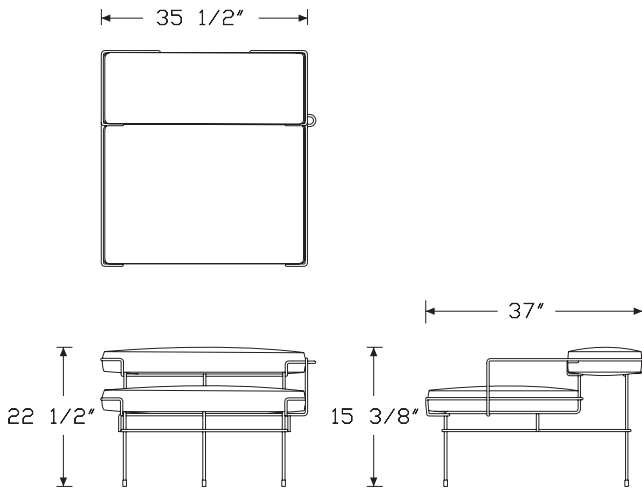


Product Information

Description

This platform bench has a painted steel rod frame and upholstered cushions with removable covers.

Dimensions



HermanMiller Collection—Benches

Specification Information

Step 1.

XXSD2754 A \$4082

Step 2. Frame Finish

5011	white	A	+ \$0
5013	black	A	+ \$0
5016	sepia brown	A	+ \$0
5021	dark green	A	+ \$0

Step 3. Seat Fabric

For white (5011)

L-0111	brown l	A	+ \$0
L-0706	cream white l	A	+ \$0

For black (5013)

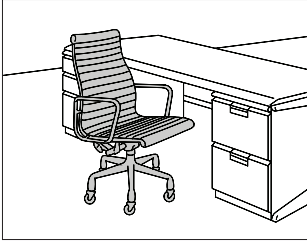
L-0060	anthracite grey l	A	+ \$0
---------------	-------------------	---	-------

For dark green (5021)

L-0111	brown l	A	+ \$0
L-0752	dark brown l	A	+ \$0

Eames® Aluminum Group
Executive Chair

EA337



Product Information

Description

This high-back chair with arms has a lightweight aluminum frame with suspended upholstery. It has a 5-star base with casters, tilt-swivel mechanism, and manual seat-height adjustment or pneumatic seat-height adjustment and tilt lock feature.

Notes

Chair is tested and warranted for use by persons 300 pounds and under. When chair is specified with Cygnus™ mesh, it meets CAL 133 requirements.

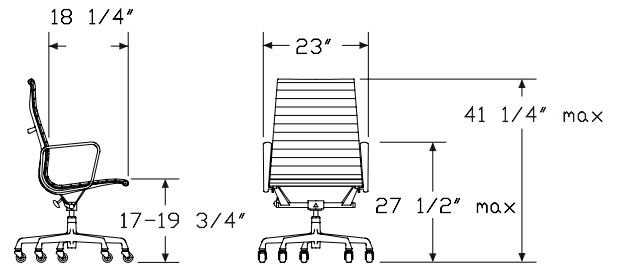
Chair sizes shown in illustrations are nominal.

For description of casters, see Casters and Glides in Appendices.

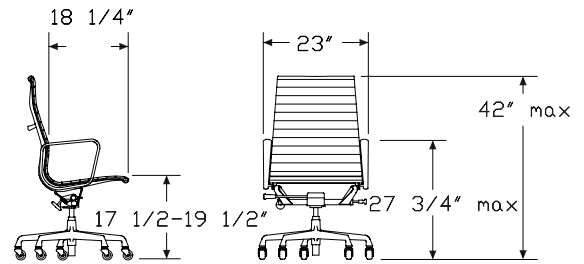
Customer's Own Material (COM) requires 1½ yards. Customer's Own

Leather (COL) requires 45 square feet. See Order Information in Appendices.

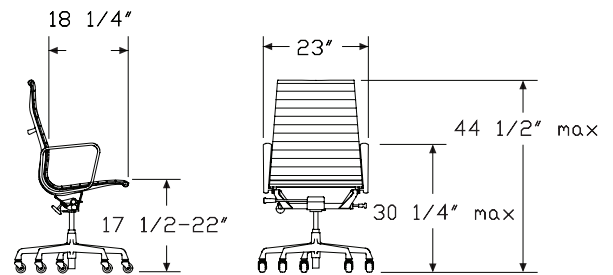
Dimensions



Manual



Pneumatic, standard-height range



Pneumatic, extended-height range

HermanMiller Collection—Work Chairs

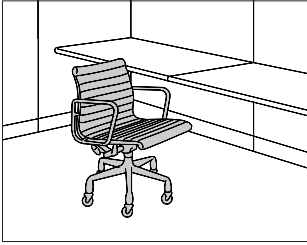
Eames® Aluminum Group
Executive Chair *continued*

Specification Information		
Step 1.		
EA33	<input type="checkbox"/> A	
Step 2. Seat-Height Adjustment		
7	manual seat-height adjustment	<input type="checkbox"/> A
7P	pneumatic seat-height adjustment, standard-height range with tilt lock	<input type="checkbox"/> A
7E	pneumatic seat-height adjustment, extended-height range with tilt lock	<input type="checkbox"/> A
Prices for Steps 1-2.		
EA337		\$1976
EA337P		\$2153
EA337E		\$2226
Step 3. Casters		
BSC	2" soft double wheel caster, hard floors or carpet, black	<input type="checkbox"/> A +\$0
MD	2" soft double wheel caster, hard floors or carpet, chrome	<input type="checkbox"/> A +\$0
UD	2" hard double wheel caster, carpet, black painted	<input type="checkbox"/> A +\$0
VD	2" hard double wheel caster, carpet, chrome	<input type="checkbox"/> A +\$0
Step 4. Base Finish		
L	polished aluminum	<input type="checkbox"/> A +\$0
BK	black	<input type="checkbox"/> A +\$28
91	white	<input type="checkbox"/> A +\$28
Step 5. Frame Finish		
<i>For polished aluminum (L)</i>		
L	polished aluminum	<input type="checkbox"/> A +\$0
<i>For black (BK)</i>		
BK	black	<input type="checkbox"/> A +\$107
G2	graphite satin	<input type="checkbox"/> A +\$107
<i>For white (91)</i>		
91	white	<input type="checkbox"/> A +\$107

Step 6. Fabric	
<i>See application chart and textiles list for fabric usage and numbers. First 2 digits of number indicate fabric line; remaining digit(s) indicate fabric color.</i>	
Price Category 1	+\$0
Price Category 2	+\$57
Price Category 3	+\$129
Price Category 4	+\$185
Price Category (Geiger) 4	+\$143
Price Category 5	+\$233
Price Category (Geiger) 5	+\$233
Price Category 6	+\$282
Price Category 7 <input type="checkbox"/> A	+\$248
Price Category (Geiger) 7	+\$186
Price Category 9	+\$640
Price Category (Geiger) 10	+\$724
Price Category 10M	+\$867
Price Category 11	+\$792
Price Category B	+\$51
Price Category C	+\$70
Price Category D	+\$88
Price Category E	+\$107
Price Category F	+\$138
Price Category G	+\$179
Price Category H	+\$218
Price Category I	+\$256
Price Category J	+\$294
Price Category K	+\$332
Price Category L	+\$370

Eames® Aluminum Group
Management Chair

EA334
EA335



Product Information

Description

This low-back chair has a lightweight aluminum frame with suspended upholstery and comes with or without arms. It has a 5-star base, tilt-swivel mechanism, and manual seat-height adjustment or pneumatic seat-height adjustment and tilt lock feature. The chair is available with casters or glides. The chair with glides includes 1/2" (GD) glides for hard floors or carpet.

Notes

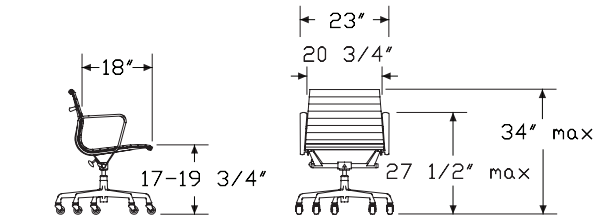
Chair is tested and warranted for use by persons 300 pounds and under. When chair is specified with Cygnus™ mesh, it meets CAL 133 requirements.

Chair sizes shown in illustrations are nominal.

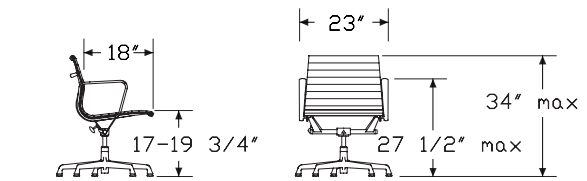
For description of casters and glides, see Casters and Glides in Appendices.

Customer's Own Material (COM) requires 1 1/3 yards. Customer's Own Leather (COL) requires 45 square feet. See Order Information in Appendices.

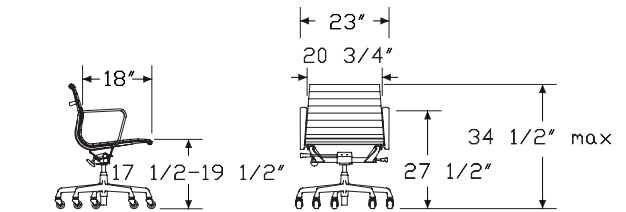
Dimensions



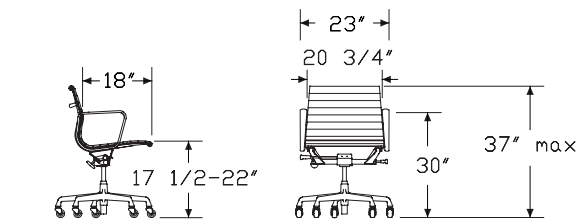
Casters



Glides



Pneumatic, standard-height range



Pneumatic, extended-height range

HermanMiller Collection—Work Chairs

Eames® Aluminum Group Management Chair *continued*

Specification Information

Step 1.

EA33 A

Step 2. Casters/Glides/Seat-Height Adjustment

5	casters with manual seat-height adjustment
4	glides with manual seat-height adjustment A
5P	casters with pneumatic seat-height adjustment, standard-height range with tilt lock
5E	casters with pneumatic seat-height adjustment, extended-height range with tilt lock A
5N	casters with manual seat-height adjustment, no arms
5PN	casters with pneumatic seat-height adjustment, no arms, standard-height range
5EN	casters with pneumatic seat-height adjustment, no arms, extended-height range A

Prices for Steps 1-2.

EA335	\$1810
EA334	\$1810
EA335P	\$1987
EA335E	\$2060
EA335N	\$1352
EA335PN	\$1529
EA335EN	\$1602

Step 3. Casters

For casters with manual seat-height adjustment (5), casters with pneumatic seat-height adjustment, standard-height range with tilt lock (5P), casters with pneumatic seat-height adjustment, extended-height range with tilt lock (5E), casters with manual seat-height adjustment, no arms (5N), casters with pneumatic seat-height adjustment, no arms, standard-height range (5PN), or casters with pneumatic seat-height adjustment, no arms, extended-height range (5EN)

BSC	2" soft double wheel caster, hard floors or carpet, black A	+\$0
MD	2" soft double wheel caster, hard floors or carpet, chrome	+\$0
UD	2" hard double wheel caster, carpet, black painted	+\$0
VD	2" hard double wheel caster, carpet, chrome	+\$0

Step 4. Base Finish

L	polished aluminum	+\$0
BK	black A	+\$28
91	white A	+\$28

Step 5. Frame Finish

For polished aluminum (L)

L	polished aluminum	+\$0
----------	-------------------	------

For black (BK)

BK	black A	+\$107
G2	graphite satin A	+\$107

For white (91)

91	white A	+\$107
-----------	---	--------

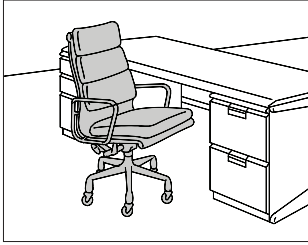
Step 6. Fabric

See application chart and textiles list for fabric usage and numbers.

First 2 digits of number indicate fabric line; remaining digit(s) indicate fabric color.

Price Category 1	+\$0
Price Category 2	+\$50
Price Category 3	+\$93
Price Category 4	+\$143
Price Category (Geiger) 4	+\$143
Price Category 5	+\$176
Price Category (Geiger) 5	+\$176
Price Category 6	+\$212
Price Category 7 A	+\$186
Price Category (Geiger) 7	+\$186
Price Category 9	+\$609
Price Category (Geiger) 10	+\$689
Price Category 10M	+\$867
Price Category 11	+\$792
Price Category B	+\$39
Price Category C	+\$57
Price Category D	+\$78
Price Category E	+\$94
Price Category F	+\$122
Price Category G	+\$159
Price Category H	+\$193
Price Category I	+\$227
Price Category J	+\$261
Price Category K	+\$294
Price Category L	+\$328

Eames® Soft Pad Group Executive Chair EA437



Product Information

Description

This high-back chair with arms has a lightweight aluminum frame and 2"-thick upholstered foam cushions. It has a 5-star base with casters, tilt-swivel mechanism, and manual seat-height adjustment or pneumatic seat-height adjustment and tilt lock feature.

Notes

Chair is tested and warranted for use by persons 300 pounds and under.

Chair sizes shown in illustrations are nominal.

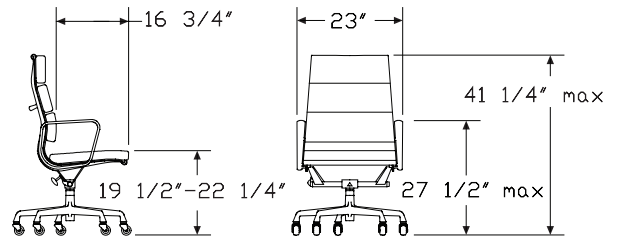
For description of casters, see Casters and Glides in Appendices.

Customer's Own Material (COM) requires 3 yards. Customer's Own

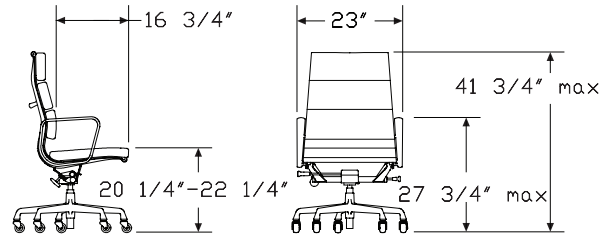
Leather (COL) requires 56 square feet. See Order Information in

Appendices.

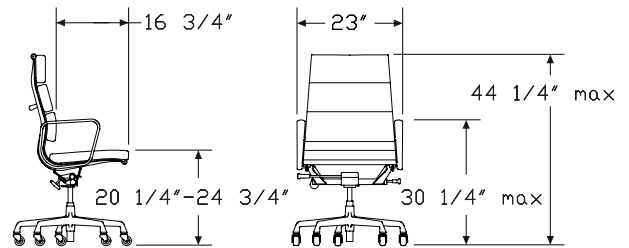
Dimensions



Manual



Pneumatic, standard-height range



Pneumatic, extended-height range

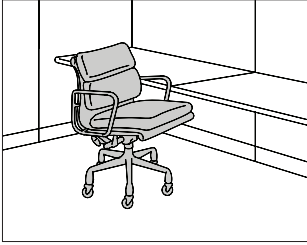
Eames® Soft Pad Group Executive Chair *continued*

Specification Information		
Step 1.		
EA43	<input type="checkbox"/>	
Step 2. Seat-Height Adjustment		
7	manual seat-height adjustment	<input type="checkbox"/>
7P	pneumatic seat-height adjustment, standard-height range with tilt lock	<input type="checkbox"/>
7E	pneumatic seat-height adjustment, extended-height range with tilt lock	<input type="checkbox"/>
Prices for Steps 1-2.		
EA437		\$3412
EA437P		\$3588
EA437E		\$3661
Step 3. Casters		
BSC	2" soft double wheel caster, hard floors or carpet, black	<input type="checkbox"/> +\$0
MD	2" soft double wheel caster, hard floors or carpet, chrome	<input type="checkbox"/> +\$0
UD	2" hard double wheel caster, carpet, black painted	<input type="checkbox"/> +\$0
VD	2" hard double wheel caster, carpet, chrome	<input type="checkbox"/> +\$0
Step 4. Base Finish		
L	polished aluminum	<input type="checkbox"/> +\$0
BK	black	<input type="checkbox"/> +\$28
91	white	<input type="checkbox"/> +\$28
Step 5. Frame Finish		
<i>For polished aluminum (L)</i>		
L	polished aluminum	<input type="checkbox"/> +\$0
<i>For black (BK)</i>		
BK	black	<input type="checkbox"/> +\$107
G2	graphite satin	<input type="checkbox"/> +\$107
<i>For white (91)</i>		
91	white	<input type="checkbox"/> +\$107

Step 6. Fabric	
<i>See application chart and textiles list for fabric usage and numbers. First 2 digits of number indicate fabric line; remaining digit(s) indicate fabric color.</i>	
Price Category 1	+\$0
Price Category 2	+\$73
Price Category 3	+\$169
Price Category (Geiger) 3	+\$169
Price Category 4	+\$270
Price Category 5	+\$339
Price Category (Geiger) 5	+\$339
Price Category 6	+\$408
Price Category 7	+\$360
Price Category (Geiger) 7	+\$360
Price Category 9	+\$627
Price Category (Geiger) 10	+\$701
Price Category 10M	+\$1127
Price Category 11	+\$965
Price Category B	+\$99
Price Category C	+\$132
Price Category D	+\$176
Price Category E	+\$213
Price Category F	+\$275
Price Category G	+\$358
Price Category H	+\$435
Price Category I	+\$511
Price Category J	+\$588
Price Category K	+\$664
Price Category L	+\$740
Price Category M	+\$817
Price Category N	+\$893
Price Category P	+\$1046

Eames® Soft Pad Group
Management Chair

EA434
EA435



Product Information

Description

This low-back chair has a lightweight aluminum frame, 2"-thick upholstered foam cushions, and comes with or without arms. It has a 5-star base, tilt-swivel mechanism, and manual seat-height adjustment or pneumatic seat-height adjustment and tilt lock feature. The chair is available with casters or glides. The chair with glides includes 1/2" (GD) glides for hard floors or carpet.

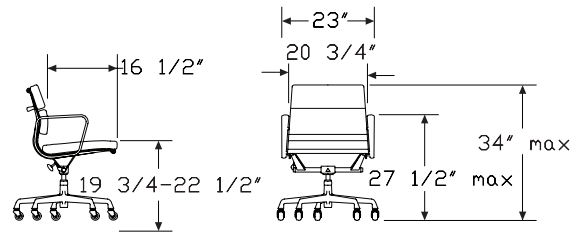
Notes

Chair is tested and warranted for use by persons 300 pounds and under. Chair sizes shown in illustrations are nominal.

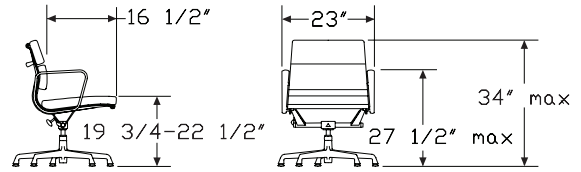
For description of casters and glides, see Casters and Glides in Appendices.

Customer's Own Material (COM) requires 2 1/2 yards. Customer's Own Leather (COL) requires 45 square feet. See Order Information in Appendices.

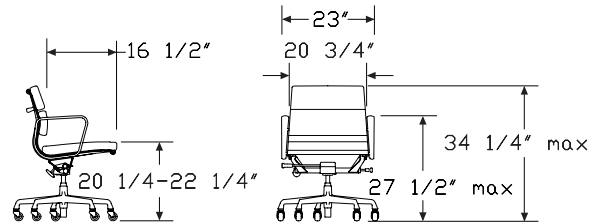
Dimensions



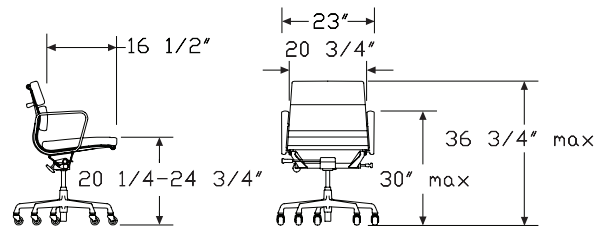
Casters



Glides



Pneumatic, standard-height range



Pneumatic, extended-height range

Eames® Soft Pad Group

Management Chair *continued*

Specification Information

Step 1.

EA43 A

Step 2. Casters/Glides/Seat-Height Adjustment

- 5** casters with manual seat-height adjustment A
- 4** glides with manual seat-height adjustment A
- 5P** casters with pneumatic seat-height adjustment, standard-height range with tilt lock A
- 5E** casters with pneumatic seat-height adjustment, extended-height range with tilt lock A
- 5N** casters with manual seat-height adjustment, no arms A
- 5PN** casters with pneumatic seat-height adjustment, no arms, standard-height range A
- 5EN** casters with pneumatic seat-height adjustment, no arms, extended-height range A

Prices for Steps 1-2.

EA435	\$2850
EA434	\$2850
EA435P	\$3037
EA435E	\$3110
EA435N	\$2392
EA435PN	\$2580
EA435EN	\$2652

Step 3. Casters

For casters with manual seat-height adjustment (5), casters with pneumatic seat-height adjustment, standard-height range with tilt lock (5P), casters with pneumatic seat-height adjustment, extended-height range with tilt lock (5E), casters with manual seat-height adjustment, no arms (5N), casters with pneumatic seat-height adjustment, no arms, standard-height range (5PN), or casters with pneumatic seat-height adjustment, no arms, extended-height range (5EN)

BSC	2" soft double wheel caster, hard floors or carpet, black A	+\$0
MD	2" soft double wheel caster, hard floors or carpet, chrome A	+\$0
UD	2" hard double wheel caster, carpet, black painted A	+\$0
VD	2" hard double wheel caster, carpet, chrome A	+\$0

Step 4. Base Finish

L	polished aluminum A	+\$0
BK	black A	+\$28
91	white A	+\$28

Step 5. Frame Finish

For polished aluminum (L)

L	polished aluminum A	+\$0
----------	---	------

For black (BK)

BK	black A	+\$107
G2	graphite satin A	+\$107

For white (91)

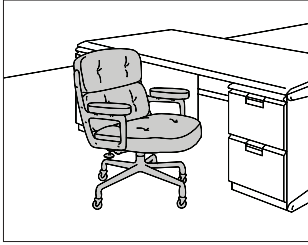
91	white A	+\$107
-----------	---	--------

Step 6. Fabric

See application chart and textiles list for fabric usage and numbers.

First 2 digits of number indicate fabric line; remaining digit(s) indicate fabric color.

Price Category 1	+\$0
Price Category 2	+\$73
Price Category 3	+\$157
Price Category (Geiger) 3	+\$157
Price Category 4	+\$242
Price Category 5	+\$291
Price Category (Geiger) 5	+\$291
Price Category 6	+\$339
Price Category 7	+\$297
Price Category (Geiger) 7	+\$297
Price Category 9	+\$592
Price Category (Geiger) 10	+\$669
Price Category 10M	+\$906
Price Category 11	+\$792
Price Category B	+\$64
Price Category C	+\$80
Price Category D	+\$0
Price Category E	+\$175
Price Category F	+\$245
Price Category G	+\$314
Price Category H	+\$418
Price Category I	+\$523
Price Category J	+\$621
Price Category K	+\$708
Price Category L	+\$796
Price Category M	+\$883
Price Category N	+\$0
Price Category P	+\$0



Product Information

Description

This upholstered chair has contoured seat and back cushions and padded armrests. The seat has a 4 1/2"-thick foam cushion and the back has 2 3"-thick foam cushions. It has a 5-star base, tilt-swivel mechanism, and seat-height adjustment. The chair is available with casters or glides. The chair with glides includes 1/2" (GD) glides for hard floors or carpet.

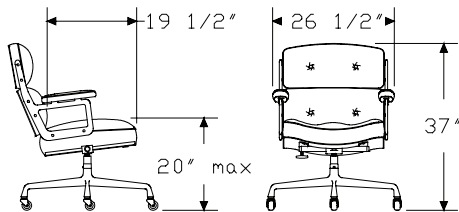
Notes

Chair is tested and warranted for use by persons 300 pounds and under. For description of casters and glides, see Casters and Glides in Appendices.

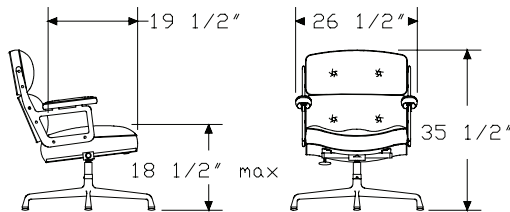
Customer's Own Material (COM) requires 3 yards. Customer's Own Leather (COL) requires 52 square feet. See Order Information in Appendices.

Dimensions

Casters



Glides



Specification Information

Step 1.

ES204 A \$4267

Step 2. Casters/Glides

BSC	2" soft double wheel caster, hard floors or carpet, black A	+\$0
GD	1/2" glide, hard floors or carpet A	+\$0
MD	2" soft double wheel caster, hard floors or carpet, chrome A	+\$0
UD	2" hard double wheel caster, carpet, black painted A	+\$0
VD	2" hard double wheel caster, carpet, chrome A	+\$0

Step 3. Base Finish

L	polished aluminum A	+\$0
BK	black A	+\$17
91	white A	+\$22

Step 4. Frame Finish

For polished aluminum (L)

L	polished aluminum A	+\$0
----------	---	------

For black (BK)

BK	black A	+\$66
G2	graphite satin A	+\$66

For white (91)

91	white A	+\$82
-----------	---	-------

Step 5. Fabric

See application chart and textiles list for fabric usage and numbers. First 2 digits of number indicate fabric line; remaining digit(s) indicate fabric color.

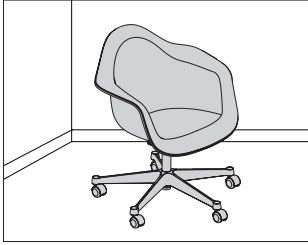
Price Category 1	+\$0
Price Category 2	+\$75
Price Category 3	+\$169
Price Category (Geiger) 3	+\$169
Price Category 4	+\$270
Price Category (Geiger) 4	+\$270
Price Category 5	+\$339
Price Category (Geiger) 5	+\$339
Price Category 6	+\$0
Price Category (Geiger) 6	+\$342
Price Category 7	+\$360
Price Category (Geiger) 7	+\$360
Price Category 9	+\$649

Eames® Executive Chair *continued*

Price Category (Geiger) 10	+\$706
Price Category 10M	+\$1219
Price Category 11	+\$877
Price Category (Geiger) 11	+\$877
Price Category B	+\$99
Price Category C	+\$138
Price Category D	+\$176
Price Category E	+\$213
Price Category F	+\$275
Price Category G	+\$358
Price Category H	+\$435
Price Category I	+\$511
Price Category J	+\$588
Price Category K	+\$664
Price Category L	+\$740
Price Category M	+\$817
Price Category N	+\$893
Price Category O	+\$1270
Price Category P	+\$1046
Price Category Q	+\$1126
Price Category R	+\$2098
Price Category V	+\$2434

Eames® Task Chair, Arm Shell

PACCF.
PACCP.



Product Information

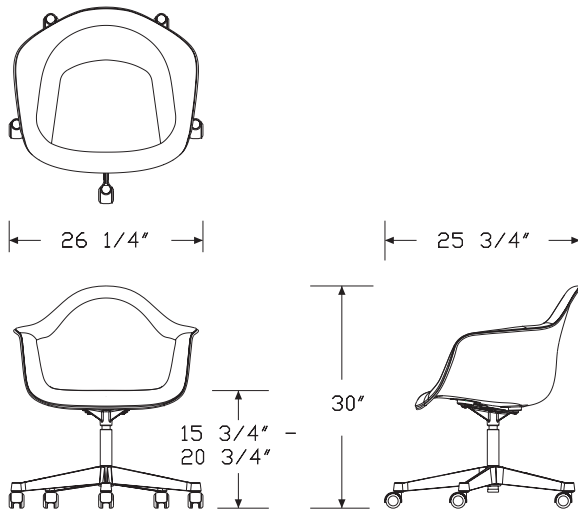
Description

This task chair is an extension of the Eames® shell chair family, offering select shell and upholstery combinations on a 5-star base with a pneumatic height adjustment range of up to 5". The arm shell has a single-piece molded plastic or fiberglass shell with waterfall edges and available upholstery options. Shell color and upholstery options mirror the existing Eames Molded Plastic and Fiberglass Arm Chair portfolio. Task chair upholstered with textiles or leather is for indoor use only. Ships assembled.

Notes

Customer's Own Material/Customer's Own Leather not available.
5-star base has 1/2" glides (GD) for hard floors or carpet. For description of glide, see Casters & Glides in appendices.

Dimensions



Specification Information

Step 1.

PACC A

Step 2. Material

P. plastic A

F. fiberglass A

Step 3. Upholstery

N nonupholstered A

P upholstered seat pad A

U fully upholstered shell A

Prices for Steps 1-3.

PACCP. N	\$935
P	\$1055
U	\$1185
<hr/>	
PACCF. N	\$1215
P	\$1335
U	\$1465

Step 4. Back Finish

For plastic (P.)

4T	aqua sky <input type="checkbox"/> A	+\$0
9J	sparrow <input type="checkbox"/> A	+\$0
ZA	black <input type="checkbox"/> A	+\$0
ZE	red orange <input type="checkbox"/> A	+\$0
ZF	white <input type="checkbox"/> A	+\$0
ZM	alpine <input type="checkbox"/> A	+\$0
PYW	pale yellow <input type="checkbox"/> A	+\$0
BLE	blue ice <input type="checkbox"/> A	+\$0
BLH	blush <input type="checkbox"/> A	+\$0
PBL	peacock blue <input type="checkbox"/> A	+\$0
STN	stone <input type="checkbox"/> A	+\$0
KGR	kelly green <input type="checkbox"/> A	+\$0
CHL	charcoal <input type="checkbox"/> A	+\$0

Eames® Task Chair, Arm Shell

continued

HermanMiller Collection—Work Chairs

For fiberglass (F.)

111	parchment <input type="checkbox"/>	+\$0
112	elephant hide grey <input type="checkbox"/>	+\$0
113	ultramarine blue <input type="checkbox"/>	+\$0
114	red orange <input type="checkbox"/>	+\$0
115	lemon yellow <input type="checkbox"/>	+\$0
116	green <input type="checkbox"/>	+\$0
117	navy blue <input type="checkbox"/>	+\$0
118	black <input type="checkbox"/>	+\$0
119	seal brown <input type="checkbox"/>	+\$0
TCA	terra cotta <input type="checkbox"/>	+\$0
DKS	dark seafoam <input type="checkbox"/>	+\$0

Step 5. Edge Finish

For fully upholstered shell (U)

111	parchment <input type="checkbox"/>	+\$0
BK	black <input type="checkbox"/>	+\$0
ZF	white <input type="checkbox"/>	+\$0

Step 6. Fabric

For upholstered seat pad (P)

Price Category 1	+\$0
Price Category 2	+\$37
Price Category 4	+\$34
Price Category 5	+\$37
Price Category 8	+\$146
Price Category 9	+\$216
Price Category 11	+\$262
Price Category B	+\$30
Price Category G	+\$170
Price Category H	+\$210
Price Category K	+\$380

For fully upholstered shell (U)

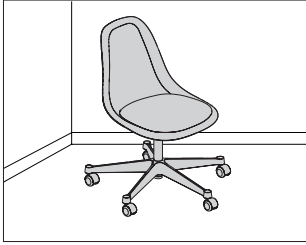
Price Category 1 <input type="checkbox"/>	+\$0
Price Category 2	+\$26
Price Category 5	+\$37
Price Category B	+\$30
Price Category H	+\$210
Price Category K	+\$380

Step 7. Casters

MD	2" soft double wheel caster, hard floors or carpet, chrome <input type="checkbox"/>	+\$0
VD	2" hard double wheel caster, carpet, chrome <input type="checkbox"/>	+\$0
BSC	2" soft double wheel caster, hard floors or carpet, black <input type="checkbox"/>	+\$0
UD	2" hard double wheel caster, carpet, black painted <input type="checkbox"/>	+\$0

Eames® Task Chair, Side Shell

PSCCD.
PSCCF.
PSCCP.
PSCCR.



Product Information

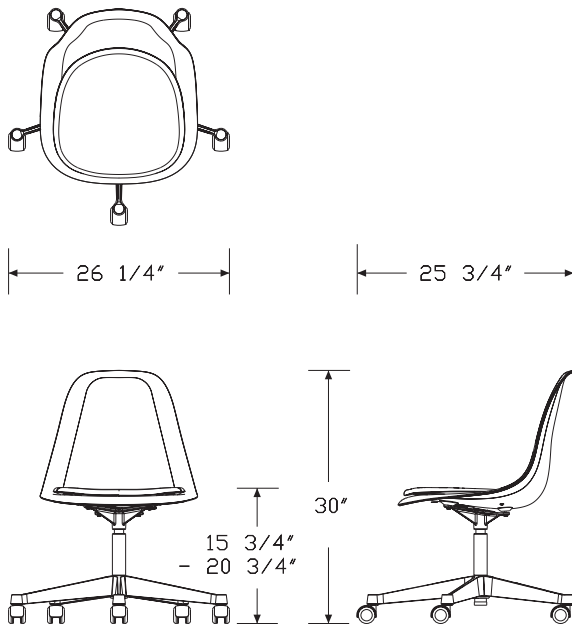
Description

This task chair is an extension of the Eames® shell chair family, offering select shell and upholstery combinations on a 5-star base with a pneumatic height-adjustment range of up to 5". The plastic, fiberglass and wood side chairs have a single-piece molded shell with waterfall edges and available upholstery options. The wire shell is available with upholstered seat and back or with upholstered seat only. Wire shell is available in trivalent chrome or powder-coated white or black. Task chair upholstered with textiles or leather is for indoor use only. Ships assembled.

Notes

Customer's Own Material/Customer's Own Leather not available.
5-star base has 1/2" glides (GD) for hard floors or carpet. For description of glide, see Casters & Glides in appendices.

Dimensions



Specification Information

Step 1.

PSCC A

Step 2. Material

- P.** plastic A
- F.** fiberglass A
- D.** wood A
- R.** wire A

Step 3. Upholstery

For plastic (P.) or fiberglass (F.)

- N** nonupholstered A
- P** upholstered seat pad A
- U** fully upholstered shell A

For wood (D.)

- N** nonupholstered A
- P** upholstered seat pad A

For wire (R.)

- 2** wire shell/upholstered seat/back A
- 5** wire shell/upholstered seat/wire back A

Prices for Steps 1-3.

PSCCP. N	\$795
P	\$915
U	\$1010
PSCCF. N	\$1075
P	\$1195
U	\$1290
PSCCD. N	\$1310
P	\$1430
PSCCR. 2	\$1710
5	\$1360

Eames® Task Chair, Side Shell

continued

HermanMiller Collection—Work Chairs

Step 4. Back Finish

For plastic (P.)

4T	aqua sky <input type="checkbox"/>	+\$0
9J	sparrow <input type="checkbox"/>	+\$0
ZA	black <input type="checkbox"/>	+\$0
ZE	red orange <input type="checkbox"/>	+\$0
ZF	white <input type="checkbox"/>	+\$0
ZM	alpine <input type="checkbox"/>	+\$0
PYW	pale yellow <input type="checkbox"/>	+\$0
BLE	blue ice <input type="checkbox"/>	+\$0
BLH	blush <input type="checkbox"/>	+\$0
PBL	peacock blue <input type="checkbox"/>	+\$0
STN	stone <input type="checkbox"/>	+\$0
KGR	kelly green <input type="checkbox"/>	+\$0
CHL	charcoal <input type="checkbox"/>	+\$0

For fiberglass (F.)

111	parchment <input type="checkbox"/>	+\$0
112	elephant hide grey <input type="checkbox"/>	+\$0
113	ultramarine blue <input type="checkbox"/>	+\$0
114	red orange <input type="checkbox"/>	+\$0
115	lemon yellow <input type="checkbox"/>	+\$0
116	green <input type="checkbox"/>	+\$0
117	navy blue <input type="checkbox"/>	+\$0
118	black <input type="checkbox"/>	+\$0
119	seal brown <input type="checkbox"/>	+\$0
TCA	terra cotta <input type="checkbox"/>	+\$0
DKS	dark seafoam <input type="checkbox"/>	+\$0

For wood (D.)

9N	santos palisander <input type="checkbox"/>	+\$289
A2	white ash <input type="checkbox"/>	+\$116
EN	ebony <input type="checkbox"/>	+\$116
OU	walnut <input type="checkbox"/>	+\$0

For wire (R.)

47	trivalent chrome <input type="checkbox"/>	+\$20
91	white <input type="checkbox"/>	+\$0
BK	black <input type="checkbox"/>	+\$0

Step 5. Edge Finish

For fully upholstered shell (U)

111	parchment <input type="checkbox"/>	+\$0
BK	black <input type="checkbox"/>	+\$0
ZF	white <input type="checkbox"/>	+\$0

Step 6. Fabric

For upholstered seat pad (P)

Price Category 1	+\$0
Price Category 2	+\$25
Price Category 4	+\$33
Price Category 5	+\$35
Price Category 8	+\$146
Price Category 9	+\$209
Price Category 11	+\$254
Price Category B	+\$30
Price Category G	+\$170
Price Category H	+\$210
Price Category K	+\$380

For fully upholstered shell (U)

Price Category 1 <input type="checkbox"/>	+\$0
Price Category 2	+\$25
Price Category 5	+\$35
Price Category B	+\$30
Price Category H	+\$210
Price Category K	+\$380

For wire shell/upholstered seat/back (2)

Price Category 5	+\$59
Price Category 9	+\$209
Price Category 11	+\$254
Price Category D	+\$59
Price Category K	+\$380

For wire shell/upholstered seat/wire back (5)

Price Category 2	+\$25
Price Category 4	+\$33
Price Category 5	+\$59
Price Category 9	+\$209
Price Category 11	+\$254
Price Category D	+\$59
Price Category G	+\$170
Price Category H	+\$210
Price Category K	+\$380

Eames® Task Chair, Side Shell

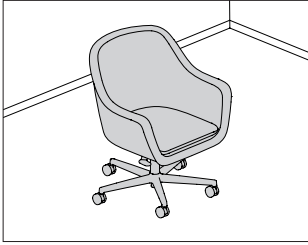
continued

Step 7. Casters

MD	2" soft double wheel caster, hard floors or carpet, chrome <input type="checkbox"/>	+\$0
VD	2" hard double wheel caster, carpet, chrome <input type="checkbox"/>	+\$0
BSC	2" soft double wheel caster, hard floors or carpet, black <input type="checkbox"/>	+\$0
UD	2" hard double wheel caster, carpet, black painted <input type="checkbox"/>	+\$0

Bumper Conference Chair

SBR5N



Product Information

Description

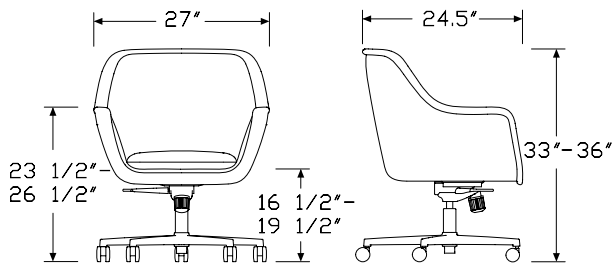
This conference chair has upholstered inner and outer shells and arm cap, each made from one continuous piece of fabric or leather, and an upholstered seat cushion. The frame is rigid molded urethane with foam inserts, and seat and back are FR foam over rigid inserts. The 5-star swivel base is polished cast aluminum, available with several dual-wheel caster options.

Notes

Customers Own Material (COM) requires 2½ yards for the shell inside and outside, an additional 1¾ yards for the arm cap and cushion, or 4¼ yards when specify entire chair in the same fabric. See Order Information in Appendices.

Customers Own Leather (COL) requires 45 square feet for the shell inside and outside, an additional 31½ square feet for the arm cap and cushion, or 76½ yards when specify entire chair in the same leather. See Order Information in Appendices.

Dimensions



Specification Information

Step 1.

SBR5N A \$2010

Step 2. Shell Upholstery

Price Category 1	+\$0
Price Category (Geiger) 2	+\$122
Price Category 2	+\$122
Price Category (Geiger) 3	+\$153
Price Category 3	+\$153
Price Category (Geiger) 4	+\$186
Price Category 4	+\$186
Price Category (Geiger) 5	+\$271
Price Category 5	+\$271
Price Category (Geiger) 6	+\$356
Price Category (Geiger) 7	+\$441
Price Category (Geiger) 8	+\$675
Price Category 9	+\$838
Price Category (Geiger) 10	+\$964
Price Category (Geiger) 11	+\$1080
Price Category 11	+\$1080
Price Category (Geiger) 14	+\$0
Price Category (Geiger) C	+\$137
Price Category (Geiger) D	+\$181
Price Category (Geiger) E	+\$220
Price Category (Geiger) F	+\$263
Price Category (Geiger) G	+\$359
Price Category (Geiger) H	+\$446
Price Category (Geiger) I	+\$539
Price Category (Geiger) J	+\$632
Price Category (Geiger) K	+\$725
Price Category (Geiger) L	+\$817
Price Category (Geiger) M	+\$910
Price Category (Geiger) N	+\$1003
Price Category (Geiger) O	+\$1095
Price Category (Geiger) P	+\$1185
Price Category (Geiger) Q	+\$1368
Price Category (Geiger) R	+\$1906
Price Category (Geiger) S	+\$2048
Price Category (Geiger) T	+\$2189
Price Category (Geiger) U	+\$2331
Price Category (Geiger) X	+\$2756
Price Category (Geiger) Y	+\$2898
Price Category (Geiger) COL A	+\$135
Price Category (Geiger) COM A	+\$0

Bumper Conference Chair *continued*

Step 3. Arm Cap and Cushion Upholstery

Price Category 1	+\$0
Price Category (Geiger) 2	+\$0
Price Category 2	+\$85
Price Category (Geiger) 3	+\$107
Price Category 3	+\$107
Price Category (Geiger) 4	+\$130
Price Category 4	+\$130
Price Category (Geiger) 5	+\$190
Price Category 5	+\$190
Price Category (Geiger) 6	+\$250
Price Category (Geiger) 7	+\$308
Price Category (Geiger) 8	+\$473
Price Category 9	+\$587
Price Category (Geiger) 10	+\$675
Price Category (Geiger) 11	+\$755
Price Category 11	+\$755
Price Category (Geiger) 14	+\$0
Price Category (Geiger) C	+\$96
Price Category (Geiger) D	+\$127
Price Category (Geiger) E	+\$154
Price Category (Geiger) F	+\$185
Price Category (Geiger) G	+\$251
Price Category (Geiger) H	+\$313
Price Category (Geiger) I	+\$377
Price Category (Geiger) J	+\$442
Price Category (Geiger) K	+\$507
Price Category (Geiger) L	+\$572
Price Category (Geiger) M	+\$637
Price Category (Geiger) O	+\$767
Price Category (Geiger) P	+\$830
Price Category (Geiger) Q	+\$957
Price Category (Geiger) R	+\$1334
Price Category (Geiger) S	+\$1433
Price Category (Geiger) X	+\$1930
Price Category (Geiger) Y	+\$2029
Price Category (Geiger) COM <input type="checkbox"/>	+\$0
Price Category (Geiger) COL <input type="checkbox"/>	+\$306

Step 4. Base Finish

CD polished aluminum <input type="checkbox"/>	+\$0
--	------

Step 5. Caster Option

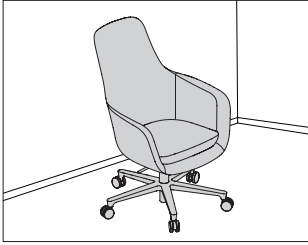
AA 2½" hard double wheel caster, polished cast aluminum yoke, carpet <input type="checkbox"/>	+\$35
BB 2½" hard caster, black yoke, carpet only <input type="checkbox"/>	+\$0
C7 2½" caster, black yoke, hard floors or carpet <input type="checkbox"/>	+\$35

Step 6. Fire Retardancy

NOCAL not fire retardant <input type="checkbox"/>	+\$0
133 fire retardant <input type="checkbox"/>	+\$276

Saiba Multitask Chair

SBN3H
SBN3M



Product Information

Description

This swivel chair has a high back or mid back and a 5-star base with dual wheel casters. It has a tilt mechanism with lock and an adjustable height range of 4 1/4". Seat frame is rigid urethane with polyurethane foam. Cushion is high density FR foam.

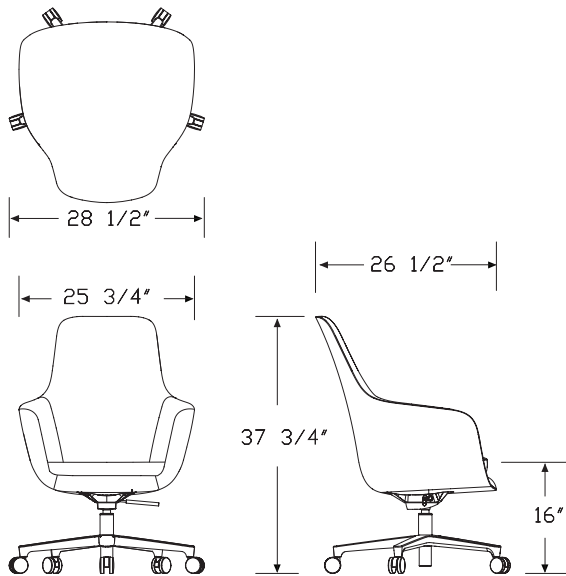
Notes

Cylinder and mechanism color will match base finish.

Casters available only in black.

Customer's Own Material (COM) requires 3 yards for high back (H) or 2 3/4 yards for mid back (M). Customer's Own Leather (COL) requires 54 square feet for high back (H) or 49 1/2 square feet for mid back (M). See Order Information in appendices.

Dimensions



HermanMiller Collection—Work Chairs

Specification Information

Step 1.

SBN3

Step 2. Back Height

M mid back

H high back

Prices for Steps 1-2.

SBN3M	\$2150
SBN3H	\$2250

Step 3. Upholstery

	M	H
Price Category (Geiger) COL <input type="checkbox"/>	+\$0	0
Price Category (Geiger) COM <input type="checkbox"/>	+\$0	0
Price Category 1	+\$0	0
Price Category (Geiger) 2	+\$0	0
Price Category 2	+\$133	183
Price Category (Geiger) 3	+\$167	183
Price Category 3	+\$167	183
Price Category (Geiger) 4	+\$204	223
Price Category (Geiger) 5	+\$298	325
Price Category 5	+\$298	325
Price Category (Geiger) 7	+\$485	529
Price Category 9	+\$921	1005
Price Category (Geiger) 10	+\$1060	1156
Price Category (Geiger) 11	+\$1187	1295
Price Category 11	+\$1187	1295
Price Category (Geiger) H	+\$491	535

Step 4. Base Finish

BK black <input type="checkbox"/>	+\$0
CD polished aluminum <input type="checkbox"/>	+\$0

Step 5. Caster Option

BB hard dual wheels, black yoke <input type="checkbox"/>	+\$0
C7 soft dual wheels, black yoke <input type="checkbox"/>	+\$35

Step 6. Fire Retardancy

	M	H
NOCAL no cal-133 required <input type="checkbox"/>	+\$0	0
133 cal-133 required <input type="checkbox"/>	+\$179	195

Taper Chair

SFA1P
SFA1S
SFA1T
SFA2P
SFA2S
SFA2T



Product Information

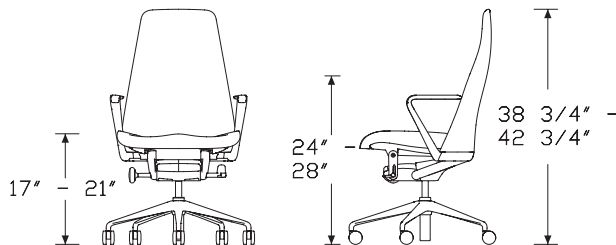
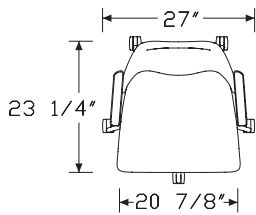
Description

This upholstered executive chair has a contoured high back that provides zonal support. The tilt mechanism uses a pair of adjustable carbon fiber leaf springs that control resistance. The suspended seat uses SuperSeat™ technology to create a deep seat pocket and responsive surface. This chair has a 5-star base with casters and pneumatic seat height adjustment. Fixed-height arms can be specified with either urethane or upholstery options.

Notes

Customer's Own Material (COM) requires 1¾ yards. Customer's Own Leather (COL) requires 3½ square feet. See Order Information in appendices.

Dimensions



Specification Information

Step 1.

SF A

Step 2. Back Height

A high back, full function tilt A

Step 3. Arms

1 upholstered arms A

2 urethane arms A

Step 4. Stitching Detail

P lapped edge with coordinating thread A

S single stitch with contrasting thread A

T single stitch with coordinating thread A

Prices for Steps 1-4.

SFA1P	\$1995
SFA1S	\$1945
SFA1T	\$1895
SFA2P	\$1875
SFA2S	\$1825
SFA2T	\$1775

Step 5. Upholstery

For single stitch with coordinating thread (T)

Price Category (Geiger) COL <input type="checkbox"/> A	+\$126
Price Category (Geiger) COM <input type="checkbox"/> A	+\$0
Price Category (Geiger) 1	+\$0
Price Category (Geiger) 2	+\$86
Price Category (Geiger) 3	+\$108
Price Category (Geiger) 4	+\$130
Price Category (Geiger) 5	+\$190
Price Category (Geiger) 7	+\$309
Price Category 9	+\$587
Price Category (Geiger) 10	+\$675
Price Category 11	+\$757
Price Category (Geiger) 11	+\$757

Taper Chair *continued*

For lapped edge with coordinating thread (P)

Price Category (Geiger) COL <input type="checkbox"/> A	+\$126
Price Category (Geiger) 1	+\$0
Price Category (Geiger) 2	+\$86
Price Category 9	+\$587
Price Category (Geiger) 10	+\$675
Price Category 11	+\$757
Price Category (Geiger) 11	+\$757

For single stitch with contrasting thread (S)

Price Category (Geiger) 1	+\$0
Price Category (Geiger) 2	+\$86
Price Category (Geiger) 4	+\$130
Price Category 9	+\$587
Price Category (Geiger) 10	+\$675
Price Category 11	+\$757
Price Category (Geiger) 11	+\$757

Step 6. Arm Upholstery

For upholstered arms (i)

Price Category (Geiger) COL <input type="checkbox"/> A	+\$0
Price Category (Geiger) 4	+\$9
Price Category 9	+\$34
Price Category (Geiger) 10	+\$40
Price Category 11	+\$44
Price Category (Geiger) 11	+\$44

Step 7. Arm/Base Finish

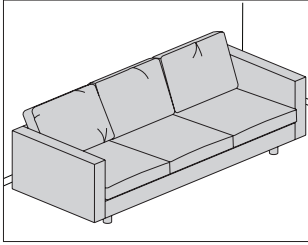
CD polished aluminum <input type="checkbox"/> A	+\$0
G1 graphite <input type="checkbox"/> A	+\$0

Step 8. Casters

BB 2½" hard caster, black yoke, carpet only <input type="checkbox"/> A	+\$0
C7 2½" caster, black yoke, hard floors or carpet <input type="checkbox"/> A	+\$35

Lispenard Sofa

AL510



Product Information

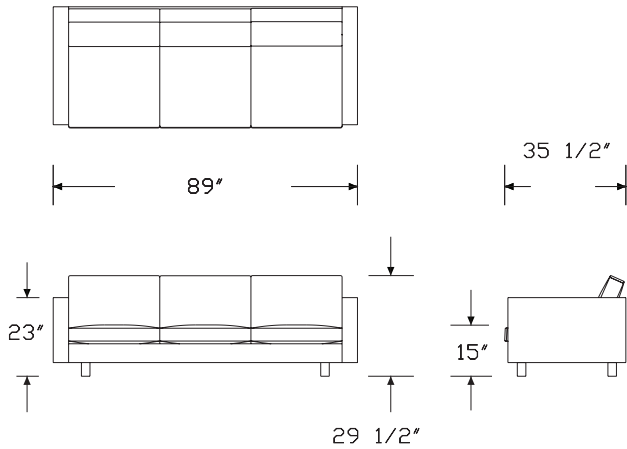
Description

The 3-seat sofa cushion construction features a combination of duck feather and down. The sofa offers a sit height of 15" and a depth of 23 1/2" at a depth pitch of 1 1/4". The 4"-high rounded wooden legs are available in walnut and white oak finishes.

Notes

Customer's Own Material (COM) requires 14 yards. Customer's Own Leather (COL) requires 167 square feet. See Order Information in appendices.

Dimensions



Specification Information

Step 1.

AL51 A

Step 2. Configuration

003 sofa

Prices for Steps 1-2.

AL51003 \$5310

Step 3. Cushion Alignment

A attached cushions +\$200

Step 4. Leg Finish

OU walnut +\$0

LTO light oak +\$0

Step 5. Fabric

Price Category 1 A +\$0

Price Category 2 +\$102

Price Category 5 +\$920

Price Category 7 +\$1810

Price Category 9 +\$3740

Price Category 10 +\$3220

Price Category 11 +\$4240

Price Category 14 +\$5400

Price Category D +\$726

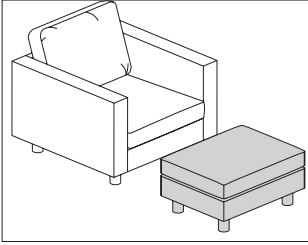
Price Category G +\$1474

Price Category H +\$1791

Price Category J +\$2420

Lispenard Ottoman

AL510



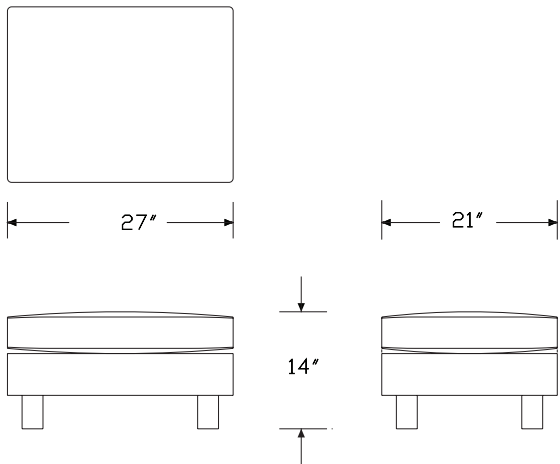
Product Information

Description
 The ottoman cushion construction features a combination of duck feather and down. Sit height is 14". Ottoman is rectangular and measures 21" x 27". The 4"-high rounded wooden legs are available in walnut and white oak finishes.

Notes
 Customer's Own Material (COM) requires 3 yards. Customer's Own Leather (COL) requires 36 square feet. See Order Information in appendices.

Dimensions

HermanMiller Collection—Sofas



Specification Information

Step 1.

AL51 A

Step 2. Configuration

004 ottoman

Prices for Steps 1-2.

AL51004 \$1750

Step 3. Leg Finish

OU walnut + \$0

LTO light oak + \$0

Step 4. Fabric

Price Category 1 A + \$0

Price Category 2 + \$22

Price Category 5 + \$152

Price Category 7 + \$660

Price Category 9 + \$860

Price Category 10 + \$1120

Price Category 11 + \$1210

Price Category 14 + \$1870

Price Category D + \$156

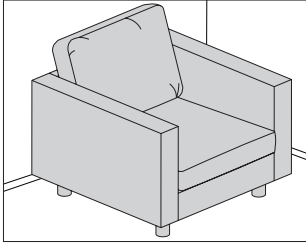
Price Category G + \$316

Price Category H + \$384

Price Category J + \$519

Lispenard Chair

AL510



Product Information

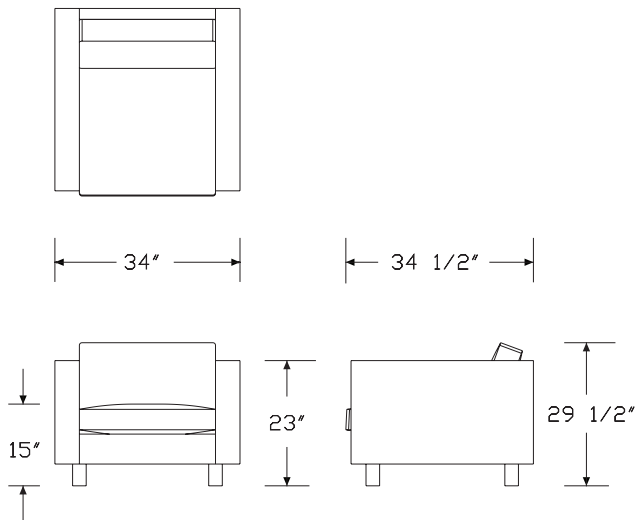
Description

The armchair cushion construction features a combination of duck feather and down. The chair offers a sit height of 15" and a depth of 23 1/2" at a depth pitch of 1 1/4". The 4"-high rounded wooden legs are available in walnut and white oak finishes.

Notes

Customer's Own Material (COM) requires 6 yards. Customer's Own Leather (COL) requires 85 square feet. See Order Information in appendices.

Dimensions



Specification Information

Step 1.

AL51 A

Step 2. Configuration

000 armchair

Prices for Steps 1-2.

AL51000 \$3180

Step 3. Cushion Alignment

A attached cushions +\$70

Step 4. Leg Finish

OU walnut +\$0

LTO light oak +\$0

Step 5. Fabric

Price Category 1 A +\$0

Price Category 2 +\$44

Price Category 5 +\$304

Price Category 7 +\$630

Price Category 9 +\$1980

Price Category 10 +\$1420

Price Category 11 +\$2240

Price Category 14 +\$2740

Price Category D +\$311

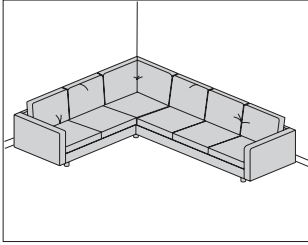
Price Category G +\$632

Price Category H +\$768

Price Category J +\$1037

Lispenard Sectional

AL510



Product Information

Description

The corner sectional's cushion construction features a combination of duck feather and down. Sit height is 15" with a depth of 23 1/2" at a depth pitch of 1 1/4". The 4"-high rounded wooden legs are available in walnut and white oak finishes.

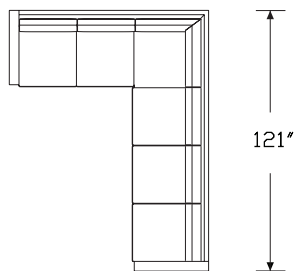
Notes

For corner sectional, right (AL51005), right side dimension is 121" (longer side).

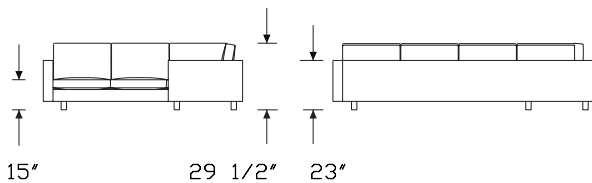
For corner sectional, left (AL51006), left side dimension is 121" (longer side).

Customer's Own Material (COM) requires 28 yards. Customer's Own Leather (COL) requires 336 square feet. See Order Information in appendices.

Dimensions



92 1/2"



HermanMiller Collection—Sofas

Specification Information

Step 1.

AL51 A

Step 2. Configuration

005 corner sectional, right

006 corner sectional, left

Prices for Steps 1-2.

AL51005 \$10860

AL51006 \$10860

Step 3. Cushion Alignment

A attached cushions +\$380

Step 4. Leg Finish

OU walnut +\$0

LTO light oak +\$0

Step 5. Fabric

Price Category 1 A +\$0

Price Category 2 +\$204

Price Category 5 +\$1417

Price Category 7 +\$2940

Price Category 9 +\$7550

Price Category 10 +\$5220

Price Category 11 +\$8550

Price Category 14 +\$8750

Price Category D +\$1453

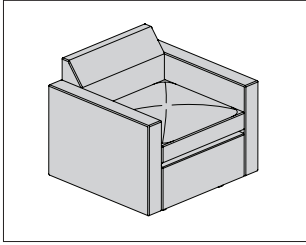
Price Category G +\$2947

Price Category H +\$3583

Price Category J +\$4840

Bevel Club Chair

AL6C1



Product Information

Description

This chair features wood frame construction, fire retardant free foam and down topper. Legs are wood in ebony finish. Ganging hardware included.

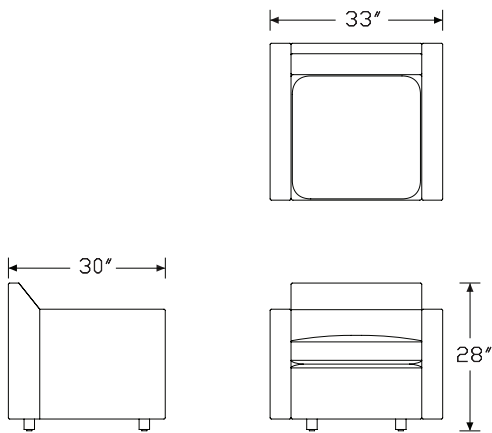
Notes

Handedness is determined from a seated position.

Customer's Own Material (COM) requires 8 yards. Customer's Own Leather (COL) requires 144 square feet. See Order Information in Appendices.

Limited textile selection available. See application chart in appendices.

Dimensions



Specification Information

Step 1.

AL6C A

Step 2. Configuration

1000 club chair

Prices for Steps 1-2.

AL6C1000 \$2935

Step 3. Leg Finish

EN ebony +\$0

Step 4. Fabric

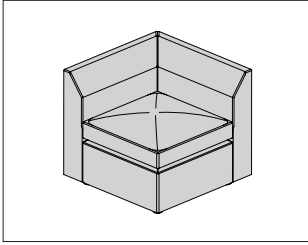
Price Category 1	+\$0
Price Category 2	+\$61
Price Category 3	+\$120
Price Category (Geiger) 3	+\$120
Price Category 4	+\$227
Price Category (Geiger) 4	+\$227
Price Category 5	+\$381
Price Category (Geiger) 5	+\$381
Price Category (Geiger) 6	+\$534
Price Category 7	+\$716
Price Category (Geiger) 7	+\$716
Price Category 9	+\$1181
Price Category (Geiger) 9	+\$1181
Price Category 10	+\$1420
Price Category 11	+\$1659
Price Category 14	+\$2494
Price Category D	+\$0
Price Category G	+\$762
Price Category H	+\$925
Price Category J	+\$1249

Step 5. Fire Retardancy

NFR not fire retardant <input type="checkbox"/> A	+\$0
FR fire retardant <input type="checkbox"/> A	+\$150

Bevel Corner

AL6C1



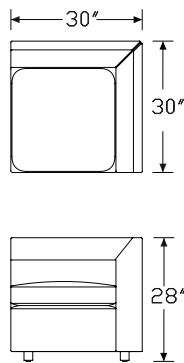
Product Information

Description
 This corner features wood frame construction, fire retardant free foam and down topper. Legs are wood in ebony finish. Ganging hardware included.

Notes

Handedness is determined from a seated position.
 Customer's Own Material (COM) requires 8 yards. Customer's Own Leather (COL) requires 144 square feet. See Order Information in Appendices.
 Limited textile selection available. See application chart in appendices.

Dimensions



HermanMiller Collection—Sofas

Specification Information

Step 1.

AL6C A

Step 2. Configuration

1005 corner

Prices for Steps 1-2.

AL6C1005 \$2814

Step 3. Leg Finish

EN ebony +\$0

Step 4. Fabric

Price Category 1	+\$0
Price Category 2	+\$61
Price Category 3	+\$120
Price Category (Geiger) 3	+\$120
Price Category 4	+\$227
Price Category (Geiger) 4	+\$227
Price Category 5	+\$381
Price Category (Geiger) 5	+\$381
Price Category (Geiger) 6	+\$534
Price Category 7	+\$716
Price Category (Geiger) 7	+\$716
Price Category 9	+\$1181
Price Category (Geiger) 9	+\$1181
Price Category 10	+\$1420
Price Category 11	+\$1659
Price Category 14	+\$2494
Price Category D	+\$0
Price Category G	+\$762
Price Category H	+\$925
Price Category J	+\$1249

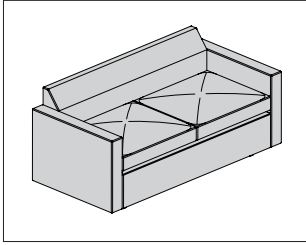
Step 5. Fire Retardancy

NFR not fire retardant A +\$0

FR fire retardant A +\$0

Bevel Settee

AL6C1



Product Information

Description

This settee features wood frame construction, fire retardant free foam and down topper. It is available with or without arms or in left-arm or right-arm configuration. Legs are wood in ebony finish. Ganging hardware included. Shipped on end.

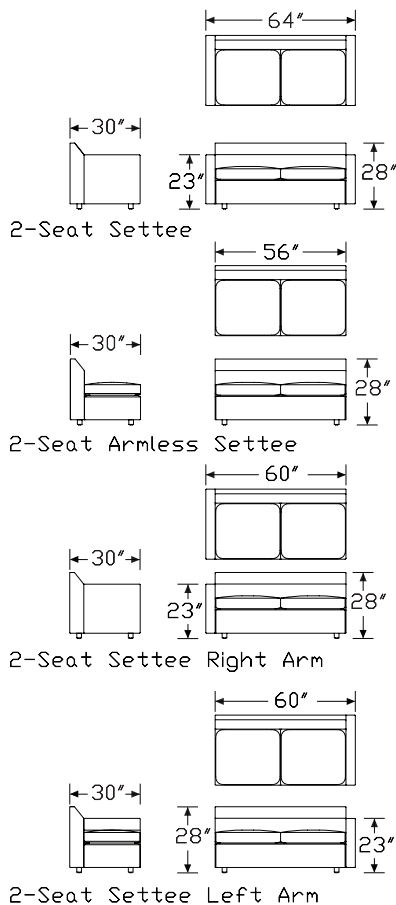
Notes

Handedness is determined from a seated position.

Customer's Own Material (COM) requires 12 yards. Customer's Own Leather (COL) requires 216 square feet. See Order Information in Appendices.

Limited textile selection available. See application chart in appendices.

Dimensions



Specification Information

Step 1.

AL6C A

Step 2. Configuration

- 1002** 2-seat settee
- 1002A** 2-seat armless settee
- 1002R** 2-seat settee right arm
- 1002L** 2-seat settee left arm

Prices for Steps 1-2.

AL6C1002	\$3836
AL6C1002A	\$3395
AL6C1002R	\$3597
AL6C1002L	\$3597

Step 3. Leg Finish

EN ebony	+\$0
-----------------	------

Step 4. Fabric

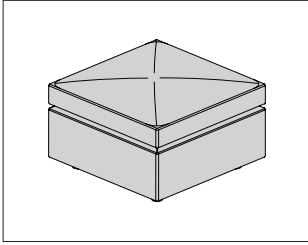
Price Category 1	+\$0
Price Category 2	+\$75
Price Category 3	+\$145
Price Category (Geiger) 3	+\$145
Price Category 4	+\$276
Price Category (Geiger) 4	+\$276
Price Category 5	+\$462
Price Category (Geiger) 5	+\$462
Price Category (Geiger) 6	+\$648
Price Category 7	+\$648
Price Category (Geiger) 7	+\$870
Price Category 9	+\$1434
Price Category (Geiger) 9	+\$1434
Price Category 10	+\$1725
Price Category 11	+\$2014
Price Category 14	+\$3028
Price Category D	+\$0
Price Category G	+\$924
Price Category H	+\$1123
Price Category J	+\$1517

Step 5. Fire Retardancy

NFR not fire retardant <input type="checkbox"/> A	+\$0
FR fire retardant <input type="checkbox"/> A	+\$300

Bevel Ottoman

AL6C0



Product Information

Description

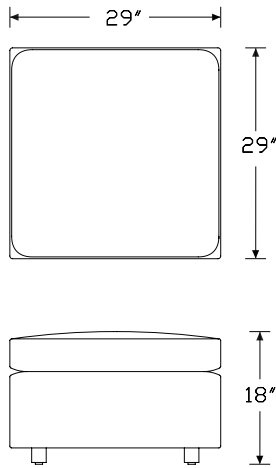
This ottoman features wood frame construction, fire retardant free foam and down topper. Legs are wood in ebony finish. Ganging hardware included.

Notes

Customer's Own Material (COM) requires 4 yards. Customer's Own Leather (COL) requires 72 square feet. See Order Information in Appendices.

Limited textile selection available. See application chart in appendices.

Dimensions



HermanMiller Collection—Sofas

Specification Information

Step 1.

AL6C A

Step 2. Configuration

0400 ottoman

Prices for Steps 1-2.

AL6C0400 \$2031

Step 3. Leg Finish

EN ebony +\$0

Step 4. Fabric

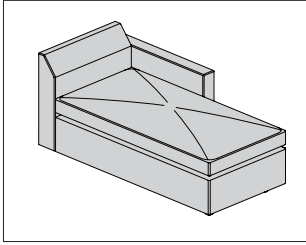
Price Category 1	+\$0
Price Category 2	+\$36
Price Category 3	+\$68
Price Category (Geiger) 3	+\$68
Price Category 4	+\$130
Price Category (Geiger) 4	+\$130
Price Category 5	+\$218
Price Category (Geiger) 5	+\$218
Price Category (Geiger) 6	+\$305
Price Category 7	+\$409
Price Category (Geiger) 7	+\$409
Price Category 9	+\$675
Price Category (Geiger) 9	+\$675
Price Category 10	+\$812
Price Category 11	+\$948
Price Category 14	+\$1425
Price Category D	+\$0
Price Category G	+\$435
Price Category H	+\$529
Price Category J	+\$714

Step 5. Fire Retardancy

NFR not fire retardant <input type="checkbox"/> A	+\$0
FR fire retardant <input type="checkbox"/> A	+\$100

Bevel Chaise

AL6C1



Product Information

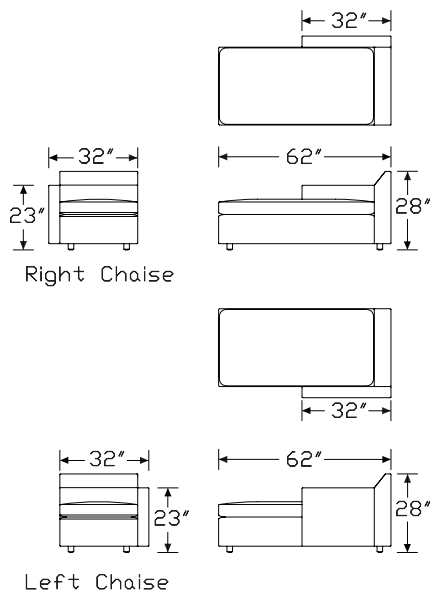
Description

This chaise features wood frame construction, fire retardant free foam and down topper. It is available in left-arm or right-arm configuration. Legs are wood in ebony finish. Ganging hardware included. Shipped on end.

Notes

Handedness is determined from a seated position.
 Customer's Own Material (COM) requires 8 yards. Customer's Own Leather (COL) requires 144 square feet. See Order Information in Appendices.
 Limited textile selection available. See application chart in appendices.

Dimensions



Specification Information

Step 1.

AL6C A

Step 2. Direction

1004L left chaise
1004R right chaise

Prices for Steps 1-2.

AL6C1004L \$3659
AL6C1004R \$3659

Step 3. Leg Finish

EN ebony +\$0

Step 4. Fabric

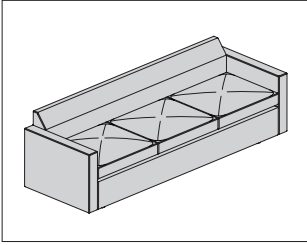
Price Category 1 +\$0
 Price Category 2 +\$79
 Price Category 3 +\$154
 Price Category (Geiger) 3 +\$154
 Price Category 4 +\$292
 Price Category (Geiger) 4 +\$292
 Price Category 5 +\$489
 Price Category (Geiger) 5 +\$489
 Price Category (Geiger) 6 +\$686
 Price Category 7 +\$921
 Price Category (Geiger) 7 +\$921
 Price Category 9 +\$1518
 Price Category (Geiger) 9 +\$1518
 Price Category 10 +\$1826
 Price Category 11 +\$2133
 Price Category 14 +\$3206
 Price Category D +\$0
 Price Category G +\$979
 Price Category H +\$1189
 Price Category J +\$1605

Step 5. Fire Retardancy

NFR not fire retardant A +\$0
FR fire retardant A +\$250

Bevel Sofa

AL6C1



Product Information

Description

This sofa features wood frame construction, fire retardant free foam and down topper. It is available with or without arms or in left-arm or right-arm configuration. Legs are wood in ebony finish. Ganging hardware included. Shipped on end.

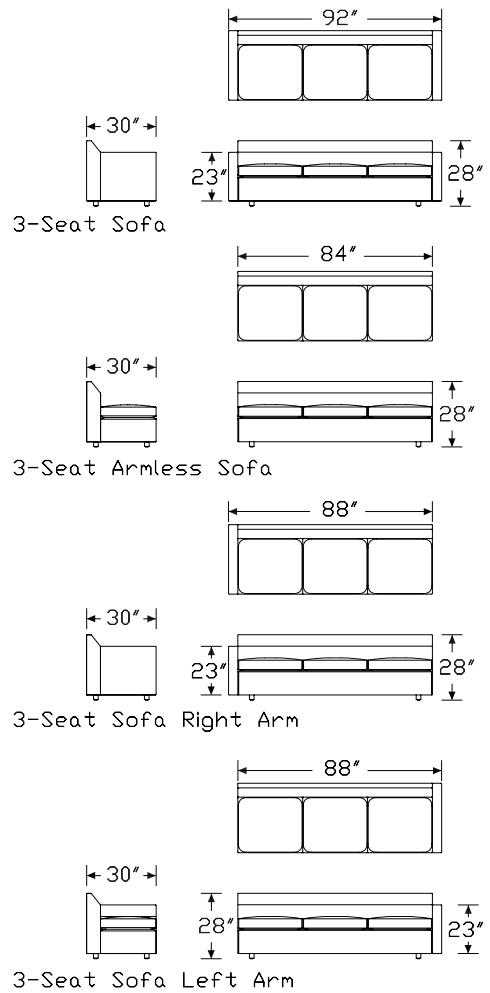
Notes

Handedness is determined from a seated position.

Customer's Own Material (COM) requires 12 yards. Customer's Own Leather (COL) requires 216 square feet. See Order Information in Appendices.

Limited textile selection available. See application chart in appendices.

Dimensions



Specification Information

Step 1.

AL6C A

Step 2. Configuration

- 1003** 3-seat sofa
- 1003A** 3-seat armless sofa
- 1003R** 3-seat sofa right arm
- 1003L** 3-seat sofa left arm

Prices for Steps 1-2.

AL6C1003	\$4850
AL6C1003A	\$4403
AL6C1003R	\$4609
AL6C1003L	\$4609

Step 3. Leg Finish

EN ebony + \$0

Step 4. Fabric

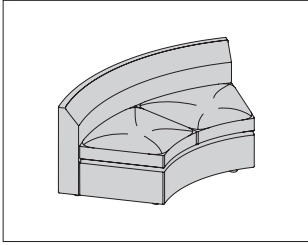
Price Category 1	+ \$0
Price Category 2	+ \$91
Price Category 3	+ \$179
Price Category (Geiger) 3	+ \$179
Price Category 4	+ \$340
Price Category (Geiger) 4	+ \$340
Price Category 5	+ \$570
Price Category (Geiger) 5	+ \$570
Price Category (Geiger) 6	+ \$801
Price Category 7	+ \$1075
Price Category (Geiger) 7	+ \$1075
Price Category 9	+ \$1771
Price Category (Geiger) 9	+ \$1771
Price Category 10	+ \$2130
Price Category 11	+ \$2489
Price Category 14	+ \$3740
Price Category D	+ \$0
Price Category G	+ \$1142
Price Category H	+ \$1388
Price Category J	+ \$1873

Step 5. Fire Retardancy

NFR not fire retardant A + \$0
FR fire retardant A + \$350

Bevel Curved Settee

AL6C2
AL6C3



Product Information

Description

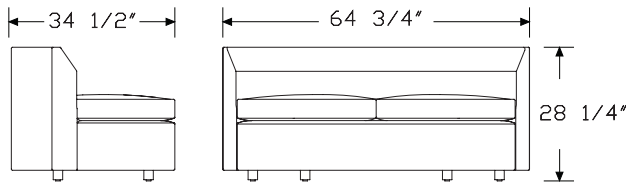
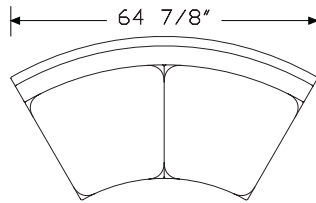
This curved settee features wood frame construction, fire retardant free foam and down topper. Legs are wood in ebony finish. Ganging hardware included.

Notes

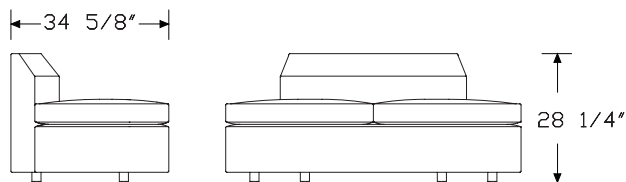
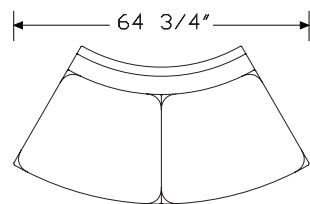
Customer's Own Material (COM) requires 5 yards. Customer's Own Leather (COL) requires 83 square feet. See Order Information in Appendices.

Limited textile selection available. See application chart in appendices.

Dimensions



Curved Settee - Inside Curve



Curved Settee - Outside Curve

Specification Information

Step 1.

AL6C A

Step 2. Configuration

2000 inside curve

3000 outside curve

Prices for Steps 1-2.

AL6C2000	\$3643
AL6C3000	\$3643

Step 3. Leg Finish

EN ebony +\$0

Step 4. Fabric

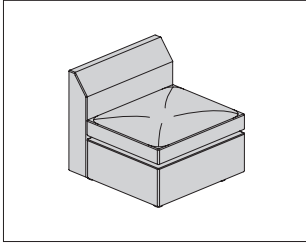
Price Category 1	+\$0
Price Category 2	+\$83
Price Category 3	+\$162
Price Category (Geiger) 3	+\$162
Price Category 4	+\$307
Price Category (Geiger) 4	+\$307
Price Category 5	+\$517
Price Category (Geiger) 5	+\$517
Price Category (Geiger) 6	+\$725
Price Category 7	+\$972
Price Category (Geiger) 7	+\$972
Price Category 9	+\$1602
Price Category (Geiger) 9	+\$1602
Price Category 10	+\$1927
Price Category 11	+\$2252
Price Category 14	+\$3384
Price Category D	+\$0
Price Category G	+\$1034
Price Category H	+\$1255
Price Category J	+\$1695

Step 5. Fire Retardancy

NFR not fire retardant <input type="checkbox"/> A	+\$0
FR fire retardant <input type="checkbox"/> A	+\$300

Bevel Single Seat

AL6C0



Product Information

Description

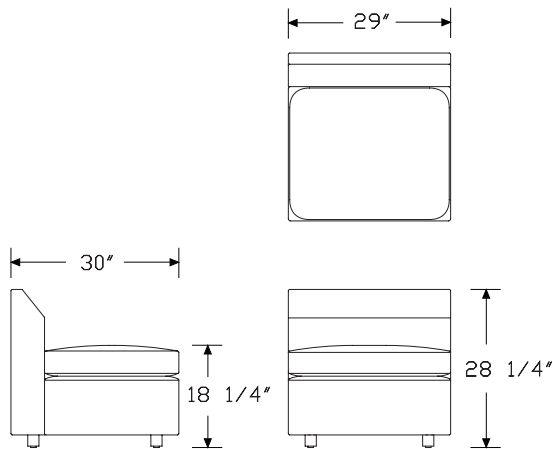
This single seat features wood frame construction, fire retardant free foam and down topper. Legs are wood in ebony finish. Ganging hardware included.

Notes

Customer's Own Material (COM) requires 5 yards. Customer's Own Leather (COL) requires 49 square feet. See Order Information in Appendices.

Limited textile selection available. See application chart in appendices.

Dimensions



Specification Information

Step 1.

AL6C [A]

Step 2. Configuration

0800 single seat

Prices for Steps 1-2.

AL6C0800 \$2421

Step 3. Leg Finish

EN ebony +\$0

Step 4. Fabric

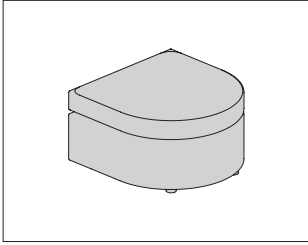
Price Category 1	+\$0
Price Category 2	+\$44
Price Category 3	+\$86
Price Category (Geiger) 3	+\$86
Price Category 4	+\$162
Price Category (Geiger) 4	+\$162
Price Category 5	+\$271
Price Category (Geiger) 5	+\$271
Price Category (Geiger) 6	+\$382
Price Category 7	+\$511
Price Category (Geiger) 7	+\$511
Price Category 9	+\$844
Price Category (Geiger) 9	+\$844
Price Category 10	+\$1014
Price Category 11	+\$1185
Price Category 14	+\$1781
Price Category D	+\$0
Price Category G	+\$544
Price Category H	+\$661
Price Category J	+\$892

Step 5. Fire Retardancy

NFR not fire retardant [A]	+\$0
FR fire retardant [A]	+\$150

Bevel Rounded Ottoman

AL6C0



Product Information

Description

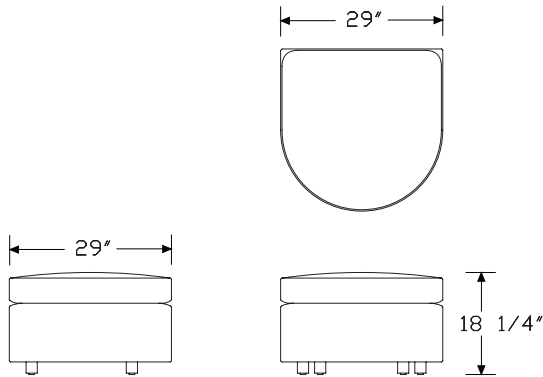
This rounded ottoman features wood frame construction, fire retardant free foam and down topper. Legs are wood in ebony finish. Connection hardware included.

Notes

Customer's Own Material (COM) requires 2½ yards. Customer's Own Leather (COL) requires 35 square feet. See Order Information in Appendices.

Limited textile selection available. See application chart in appendices.

Dimensions



Specification Information

Step 1.

AL6C A

Step 2. Configuration

0600 rounded ottoman

Prices for Steps 1-2.

AL6C0600 \$2239

Step 3. Leg Finish

EN ebony +\$0

Step 4. Fabric

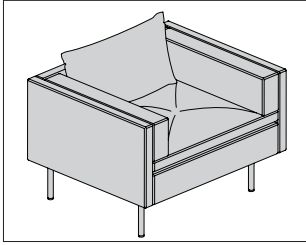
Price Category 1	+\$0
Price Category 2	+\$22
Price Category 3	+\$43
Price Category (Geiger) 3	+\$43
Price Category 4	+\$82
Price Category (Geiger) 4	+\$82
Price Category 5	+\$136
Price Category (Geiger) 5	+\$136
Price Category (Geiger) 6	+\$191
Price Category 7	+\$256
Price Category (Geiger) 7	+\$256
Price Category 9	+\$422
Price Category (Geiger) 9	+\$422
Price Category 10	+\$507
Price Category 11	+\$593
Price Category 14	+\$891
Price Category D	+\$0
Price Category G	+\$272
Price Category H	+\$331
Price Category J	+\$446

Step 5. Fire Retardancy

NFR not fire retardant <input type="checkbox"/> A	+\$0
FR fire retardant <input type="checkbox"/> A	+\$100

Bolster Club Chair

AL1C1



Product Information

Description

This chair features wood frame construction, fire retardant free foam and down topper. Base finish is brushed stainless. Ganging hardware included.

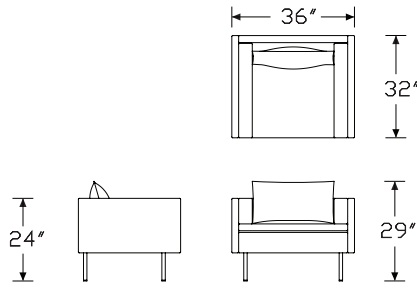
Notes

Handedness is determined from a seated position.

Customer's Own Material (COM) requires 8 yards. Customer's Own Leather (COL) requires 144 square feet. See Order Information in Appendices.

Limited textile selection available. See application chart in appendices.

Dimensions



Specification Information

Step 1.

AL1C A

Step 2. Configuration

1000 club chair

Step 3. Upholstery Assignment

S single fabric

Prices for Steps 1-3.

AL1C1000 S \$3388

Step 4. Leg Finish

BRS brushed stainless +\$0

Step 5. Fabric

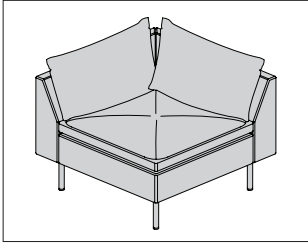
Price Category 1	+\$0
Price Category 2	+\$465
Price Category 3	+\$558
Price Category (Geiger) 3	+\$558
Price Category 4	+\$726
Price Category (Geiger) 4	+\$726
Price Category 5	+\$783
Price Category (Geiger) 5	+\$783
Price Category (Geiger) 6	+\$940
Price Category 7	+\$1222
Price Category (Geiger) 7	+\$1222
Price Category 9	+\$2068
Price Category (Geiger) 9	+\$2068
Price Category 10	+\$2277
Price Category 11	+\$2375
Price Category 14	+\$2682
Price Category D	+\$0
Price Category G	+\$846
Price Category H	+\$1027
Price Category J	+\$1388

Step 6. Fire Retardancy

NFR not fire retardant <input type="checkbox"/> A	+\$0
FR fire retardant <input type="checkbox"/> A	+\$150

Bolster Corner

AL1C1



Product Information

Description

This corner features wood frame construction, fire retardant free foam and down topper. Base finish is brushed stainless. Ganging hardware included.

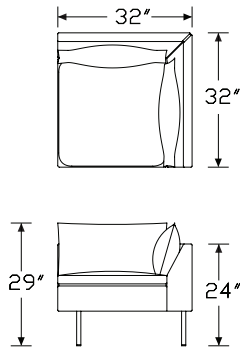
Notes

Handedness is determined from a seated position.

Customer's Own Material (COM) requires 8 yards. Customer's Own Leather (COL) requires 101 square feet. See Order Information in Appendices.

Limited textile selection available. See application chart in appendices.

Dimensions



HermanMiller Collection—Sofas

Specification Information

Step 1.

AL1C A

Step 2. Configuration

1005 corner

Step 3. Upholstery Assignment

S single fabric

Prices for Steps 1-3.

AL1C1005 S \$2975

Step 4. Leg Finish

BRS brushed stainless +\$0

Step 5. Fabric

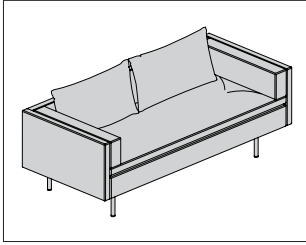
Price Category 1	+\$0
Price Category 2	+\$435
Price Category 3	+\$522
Price Category (Geiger) 3	+\$522
Price Category 4	+\$678
Price Category (Geiger) 4	+\$678
Price Category 5	+\$754
Price Category (Geiger) 5	+\$754
Price Category (Geiger) 6	+\$927
Price Category 7	+\$1177
Price Category (Geiger) 7	+\$1177
Price Category 9	+\$2025
Price Category (Geiger) 9	+\$2025
Price Category 10	+\$2060
Price Category 11	+\$2251
Price Category 14	+\$2641
Price Category D	+\$0
Price Category G	+\$846
Price Category H	+\$1027
Price Category J	+\$1388

Step 6. Fire Retardancy

NFR not fire retardant A	+\$0
FR fire retardant A	+\$150

Bolster Settee

AL1C1



Product Information

Description

This settee features wood frame construction, fire retardant free foam and down topper. It is available with or without arms or in left-arm or right-arm configuration. Base finish is brushed stainless. Ganging hardware included. Shipped on end.

Notes

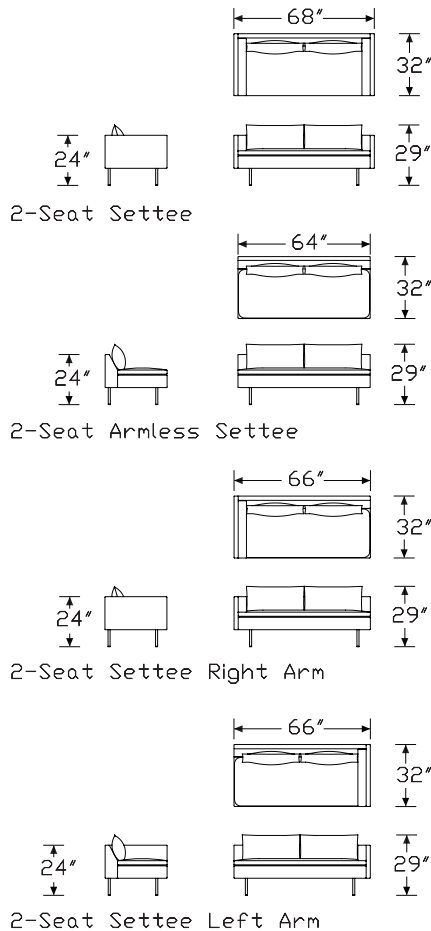
Handedness is determined from a seated position.

Fabric is railroaded.

Customer's Own Material (COM) requires 12 yards. Customer's Own Leather (COL) requires 140 square feet. See Order Information in Appendices.

Limited textile selection available. See application chart in appendices.

Dimensions



Specification Information

Step 1.

AL1C [A]

Step 2. Configuration

- 1002** 2-seat settee
- 1002A** 2-seat armless settee
- 1002R** 2-seat settee right arm
- 1002L** 2-seat settee left arm

Step 3. Upholstery Assignment

S single fabric

Prices for Steps 1-3.

AL1C1002 S	\$4576
AL1C1002A S	\$3758
AL1C1002R S	\$4167
AL1C1002L S	\$4167

Step 4. Leg Finish

BRS brushed stainless +\$0

Step 5. Fabric

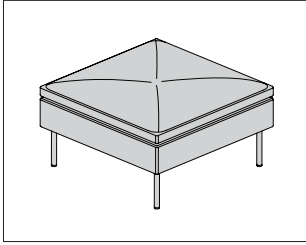
Price Category 1	+\$0
Price Category 2	+\$677
Price Category 3	+\$812
Price Category (Geiger) 3	+\$812
Price Category 4	+\$1056
Price Category (Geiger) 4	+\$1056
Price Category 5	+\$1178
Price Category (Geiger) 5	+\$1178
Price Category (Geiger) 6	+\$1414
Price Category 7	+\$1837
Price Category (Geiger) 7	+\$1837
Price Category 9	+\$3917
Price Category (Geiger) 9	+\$3935
Price Category 10	+\$4120
Price Category 11	+\$4360
Price Category 14	+\$4429
Price Category D	+\$0
Price Category G	+\$1209
Price Category H	+\$1468
Price Category J	+\$1982

Bolster Settee *continued*

Step 6. Fire Retardancy		
NFR	not fire retardant <input type="checkbox"/>	+\$0
FR	fire retardant <input type="checkbox"/>	+\$300

Bolster Ottoman

AL1C0



Product Information

Description

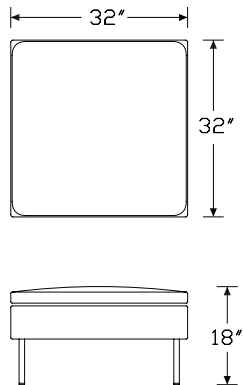
This ottoman features wood frame construction, fire retardant free foam and down topper. Base finish is brushed stainless. Ganging hardware included.

Notes

Customer's Own Material (COM) requires 4 yards. Customer's Own Leather (COL) requires 72 square feet. See Order Information in Appendices.

Limited textile selection available. See application chart in appendices.

Dimensions



Specification Information

Step 1.

AL1C A

Step 2. Configuration

0400 ottoman

Prices for Steps 1-2.

AL1C0400 \$2055

Step 3. Leg Finish

BRS brushed stainless +\$0

Step 4. Fabric

Price Category 1	+\$0
Price Category 2	+\$274
Price Category 3	+\$329
Price Category (Geiger) 3	+\$329
Price Category 4	+\$428
Price Category (Geiger) 4	+\$415
Price Category 5	+\$456
Price Category (Geiger) 5	+\$442
Price Category (Geiger) 6	+\$530
Price Category 7	+\$711
Price Category (Geiger) 7	+\$711
Price Category 9	+\$1060
Price Category (Geiger) 9	+\$1060
Price Category 10	+\$1133
Price Category 11	+\$1177
Price Category 14	+\$1534
Price Category D	+\$0
Price Category G	+\$484
Price Category H	+\$588
Price Category J	+\$794

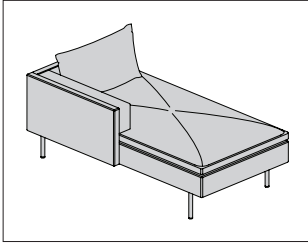
Step 5. Fire Retardancy

NFR not fire retardant A +\$0

FR fire retardant A +\$100

Bolster Chaise

AL1C1



Product Information

Description

This chaise features wood frame construction, fire retardant free foam and down topper. It is available in left-arm or right-arm configuration. Base finish is brushed stainless. Ganging hardware included.

Notes

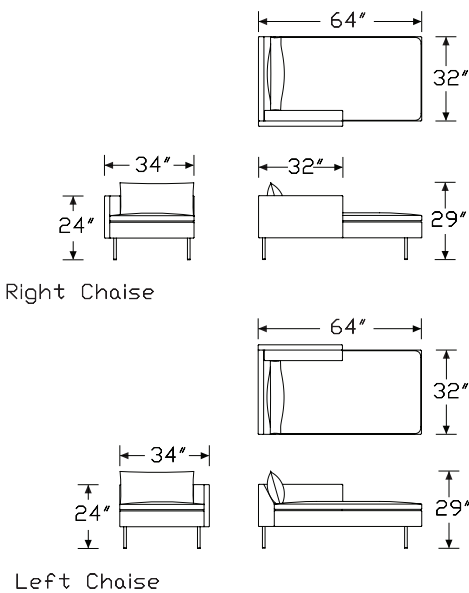
Handedness is determined from a seated position.

Fabric is railroaded.

Customer's Own Material (COM) requires 8 yards. Customer's Own Leather (COL) requires 144 square feet. See Order Information in Appendices.

Limited textile selection available. See application chart in appendices.

Dimensions



Specification Information

Step 1.

AL1C A

Step 2. Direction

1004L left chaise

1004R right chaise

Step 3. Upholstery Assignment

S single fabric

Prices for Steps 1-3.

AL1C1004L S \$3922

AL1C1004R S \$3922

Step 4. Leg Finish

BRS brushed stainless +\$0

Step 5. Fabric

Price Category 1	+\$0
Price Category 2	+\$567
Price Category 3	+\$680
Price Category (Geiger) 3	+\$680
Price Category 4	+\$884
Price Category (Geiger) 4	+\$884
Price Category 5	+\$976
Price Category (Geiger) 5	+\$976
Price Category (Geiger) 6	+\$1171
Price Category 7	+\$1522
Price Category (Geiger) 7	+\$1522
Price Category 9	+\$2846
Price Category (Geiger) 9	+\$2846
Price Category 10	+\$2884
Price Category 11	+\$3165
Price Category 14	+\$3403
Price Category D	+\$0
Price Category G	+\$1087
Price Category H	+\$1321
Price Category J	+\$1783

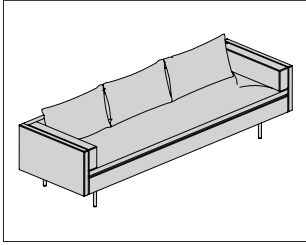
Step 6. Fire Retardancy

NFR not fire retardant A +\$0

FR fire retardant A +\$250

Bolster Sofa

AL1C1



Product Information

Description

This sofa features wood frame construction, fire retardant free foam and down topper. It is available with or without arms or in left-arm or right-arm configuration. Base finish is brushed stainless. Ganging hardware included.

Notes

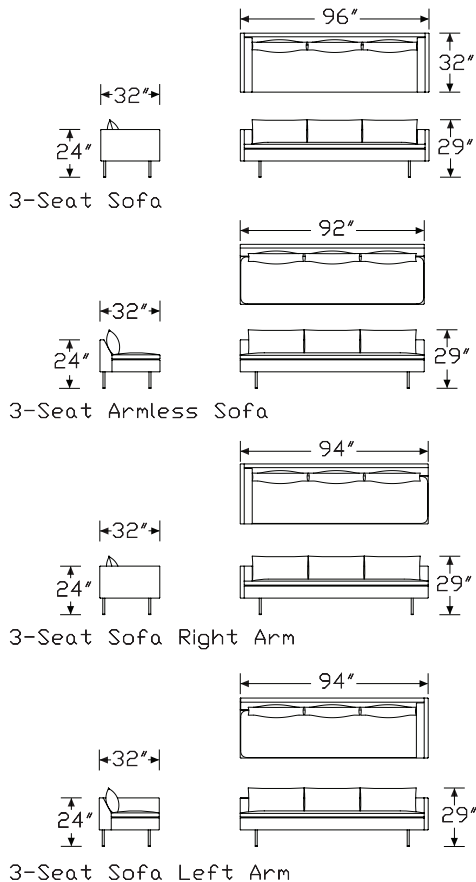
Handedness is determined from a seated position.

Fabric is railroaded.

Customer's Own Material (COM) requires 12 yards. Customer's Own Leather (COL) requires 215 square feet. See Order Information in Appendices.

Limited textile selection available. See application chart in appendices.

Dimensions



Specification Information

Step 1.

AL1C [A]

Step 2. Configuration

- 1003** 3-seat sofa
- 1003A** 3-seat armless sofa
- 1003R** 3-seat sofa right arm
- 1003L** 3-seat sofa left arm

Step 3. Upholstery Assignment

S single fabric

Prices for Steps 1-3.

AL1C1003 S	\$5322
AL1C1003A S	\$4505
AL1C1003R S	\$4914
AL1C1003L S	\$4914

Step 4. Leg Finish

BRS brushed stainless +\$0

Step 5. Fabric

Price Category 1	+\$0
Price Category 2	+\$795
Price Category 3	+\$953
Price Category (Geiger) 3	+\$953
Price Category 4	+\$1240
Price Category (Geiger) 4	+\$1240
Price Category 5	+\$1386
Price Category (Geiger) 5	+\$1386
Price Category (Geiger) 6	+\$1723
Price Category 7	+\$2161
Price Category (Geiger) 7	+\$2161
Price Category 9	+\$4955
Price Category (Geiger) 9	+\$4955
Price Category 10	+\$5150
Price Category 11	+\$5520
Price Category 14	+\$5665
Price Category D	+\$0
Price Category G	+\$1450
Price Category H	+\$1762
Price Category J	+\$2379

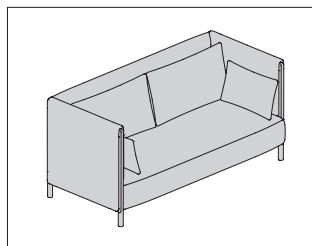
Herman Miller Collection - Sofas

Bolster Sofa *continued*

Step 6. Fire Retardancy		
NFR	not fire retardant <input type="checkbox"/>	+\$0
FR	fire retardant <input type="checkbox"/>	+\$350

ColourForm Sofa, Not Quilted,
Single Textile

AJN10



Product Information

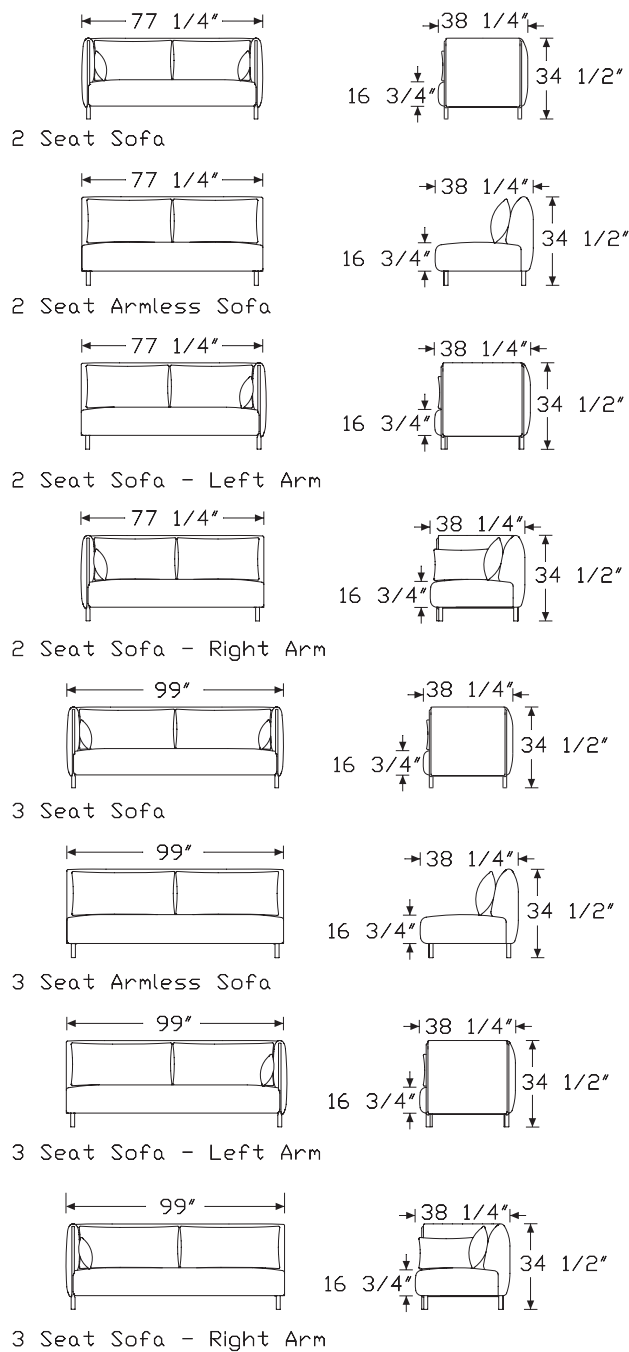
Description

This sofa has wooden frame construction with shaped foam and cover layers folded over the arm rest. Pillows are fiber filled for comfort. A plastic upholstery strip is stitched into the textile allowing the fabric to be stretched and pushed into place over the frame. Sofa is available with or without arms or in left-arm or right-arm configuration.

Notes

For modularity, order ganging kit (AJNG) separately.
Handedness is determined from seated position.
Limited textile selection available. See application chart in appendices.

Dimensions



Herman Miller Collection - Sofas

ColourForm Sofa, Not Quilted, Single Textile *continued*

Specification Information

Step 1.

AJN

Step 2. Configuration

1002 2-seat sofa

1002A 2-seat armless sofa

1002R 2-seat sofa right arm

1002L 2-seat sofa left arm

1003 3-seat sofa

1003A 3-seat armless sofa

1003R 3-seat sofa right arm

1003L 3-seat sofa left arm

Step 3. Upholstery Type

N not quilted, single textile

Prices for Steps 1-3.

AJN1002 N \$4719

AJN1002A N \$3029

AJN1002R N \$3903

AJN1002L N \$3903

AJN1003 N \$5086

AJN1003A N \$3529

AJN1003R N \$4364

AJN1003L N \$4364

Step 4. Outside/Inside Fabric

Price Category (Geiger) D +\$1325

Price Category 2 +\$93

Price Category (Geiger) 3 +\$198

Price Category 5 +\$742

Price Category (Geiger) 7 +\$1655

Price Category (Geiger) G +\$1534

Price Category (Geiger) H +\$2136

Price Category (Geiger) I +\$2336

Price Category (Geiger) J +\$3330

Step 5. Leg Finish

EN ebony +\$0

OU walnut +\$0

A2 white ash +\$0

SBA soft blue ash +\$0

SGA soft green ash +\$0

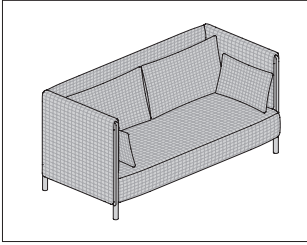
66A recograin frosty ash +\$0

Step 6. Fire Retardancy

NFR not fire retardant +\$0

FR fire retardant +\$900

ColourForm Sofa, Quilted, Single Textile AJN10



Product Information

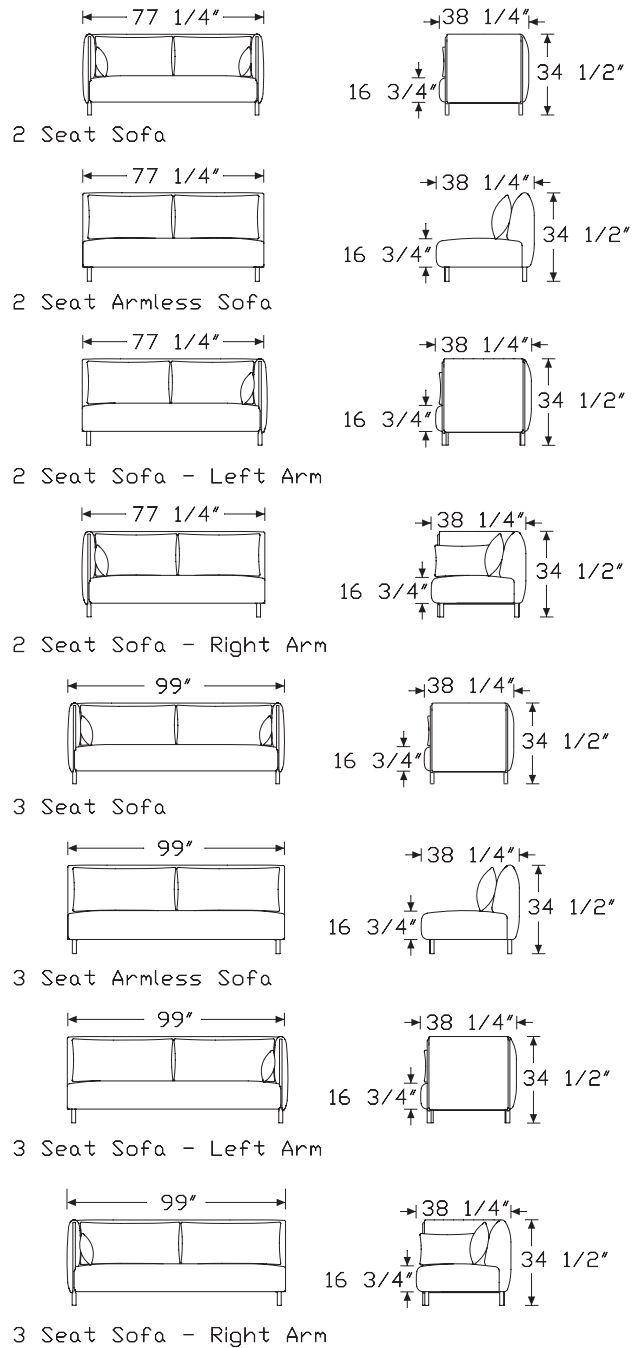
Description

This sofa has wooden frame construction with shaped foam and cover layers folded over the arm rest. Pillows are fiber filled for comfort. A plastic upholstery strip is stitched into the textile allowing the fabric to be stretched and pushed into place over the frame. Sofa is available with or without arms or in left-arm or right-arm configuration.

Notes

For modularity, order ganging kit (AJNG) separately.
 Handedness is determined from seated position.
 Limited textile selection available. See application chart in appendices.

Dimensions



ColourForm Sofa, Quilted, Single

Textile *continued*

Specification Information

Step 1.

AJN

Step 2. Configuration

- 1002** 2-seat sofa
- 1002A** 2-seat armless sofa
- 1002R** 2-seat sofa right arm
- 1002L** 2-seat sofa left arm
- 1003** 3-seat sofa
- 1003A** 3-seat armless sofa
- 1003R** 3-seat sofa right arm
- 1003L** 3-seat sofa left arm

Step 3. Upholstery Type

Q1 quilted, single textile (outside quilted, inside not quilted, same color, same fabric family)

Prices for Steps 1-3.

AJN1002 Q1	\$4719
AJN1002A Q1	\$3029
AJN1002R Q1	\$3903
AJN1002L Q1	\$3903
AJN1003 Q1	\$5086
AJN1003A Q1	\$3529
AJN1003R Q1	\$4364
AJN1003L Q1	\$4364

Step 4. Outside/Inside Fabric

Price Category (Geiger) 3	+\$1303
Price Category 5	+\$1846
Price Category (Geiger) G	+\$2639

Step 5. Leg Finish

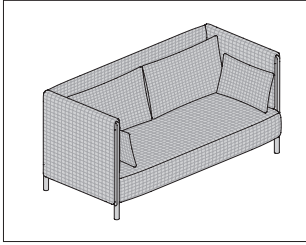
A2 white ash <input type="checkbox"/>	+\$0
EN ebony <input type="checkbox"/>	+\$0
OU walnut <input type="checkbox"/>	+\$0
SBA soft blue ash <input type="checkbox"/>	+\$0
SGA soft green ash <input type="checkbox"/>	+\$0
66A recograin frosty ash <input type="checkbox"/>	+\$0

Step 6. Fire Retardancy

NFR not fire retardant <input type="checkbox"/>	+\$0
FR fire retardant <input type="checkbox"/>	+\$900

ColourForm Sofa, Quilted, Two Textiles

AJN10



Product Information

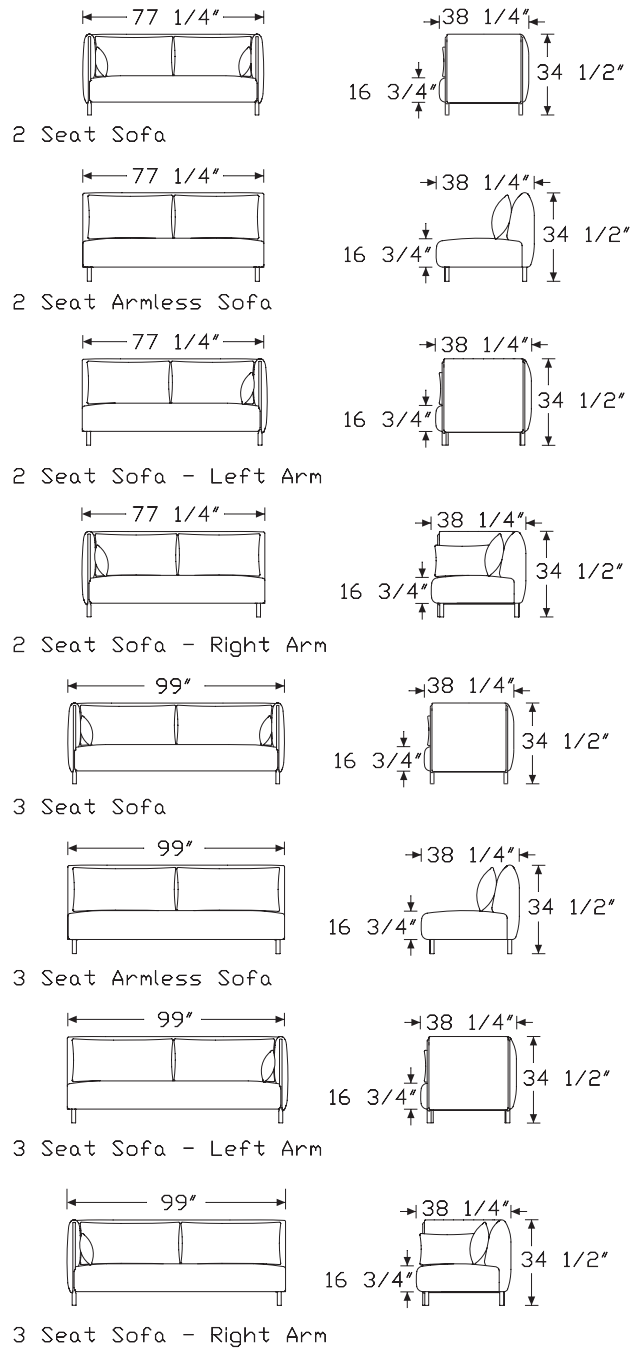
Description

This sofa has wooden frame construction with shaped foam and cover layers folded over the arm rest. Pillows are fiber filled for comfort. A plastic upholstery strip is stitched into the textile allowing the fabric to be stretched and pushed into place over the frame. Sofa is available with arms or in left-arm or right-arm configuration.

Notes

For modularity, order ganging kit (AJNG) separately.
 Handedness is determined from seated position.
 Limited textile selection available. See application chart in appendices.

Dimensions



ColourForm Sofa, Quilted, Two Textiles *continued*

Specification Information

Step 1.

AJN

Step 2. Configuration

1002 2-seat sofa

1002R 2-seat sofa right arm

1002L 2-seat sofa left arm

1003 3-seat sofa

1003R 3-seat sofa right arm

1003L 3-seat sofa left arm

Step 3. Upholstery Type

Q2 quilted, two textiles (outside quilted, inside quilted)

Prices for Steps 1-3.

AJN1002 Q2 \$4719

AJN1002R Q2 \$3903

AJN1002L Q2 \$3903

AJN1003 Q2 \$5086

AJN1003R Q2 \$4364

AJN1003L Q2 \$4364

Step 4. Outside Fabric

Price Category (Geiger) G +\$2639

Step 5. Inside Fabric

Price Category (Geiger) G +\$0

Step 6. Leg Finish

A2 white ash +\$0

EN ebony +\$0

OU walnut +\$0

SBA soft blue ash +\$0

SGA soft green ash +\$0

66A recograin frosty ash +\$0

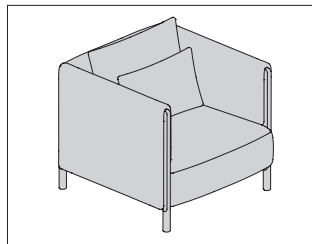
Step 7. Fire Retardancy

NFR not fire retardant +\$0

FR fire retardant +\$900

ColourForm Club Chair, Not Quilted, Single Textile

AJN10



Product Information

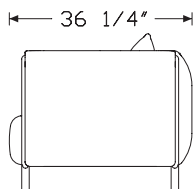
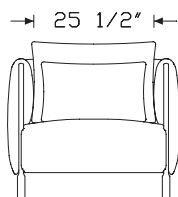
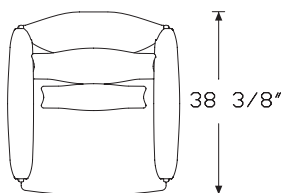
Description

This club chair has wooden frame construction with shaped foam and cover layers folded over the arm rest. Pillows are fiber filled for comfort. A plastic upholstery strip is stitched into the textile allowing the fabric to be stretched and pushed into place over the frame.

Notes

Handedness is determined from seated position.
 Limited textile selection available. See application chart in appendices.

Dimensions



Specification Information

Step 1.

AJN1000 [A]

Step 2. Upholstery Type

N not quilted, single textile [A]

Prices for Steps 1-2.

AJN1000 N \$3573

Step 3. Outside/Inside Fabric

Price Category (Geiger) D	+\$754
Price Category 2	+\$57
Price Category (Geiger) 3	+\$111
Price Category 5	+\$420
Price Category (Geiger) 7	+\$942
Price Category (Geiger) G	+\$873
Price Category (Geiger) H	+\$1215
Price Category (Geiger) I	+\$1328
Price Category (Geiger) J	+\$1895

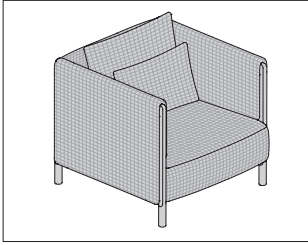
Step 4. Leg Finish

EN ebony [A]	+\$0
OU walnut [A]	+\$0
A2 white ash [A]	+\$0
SBA soft blue ash [A]	+\$0
SGA soft green ash [A]	+\$0
66A recograin frosty ash [A]	+\$0

Step 5. Fire Retardancy

NFR not fire retardant [A]	+\$0
FR fire retardant [A]	+\$495

ColourForm Club Chair, Quilted, Single Textile AJN10

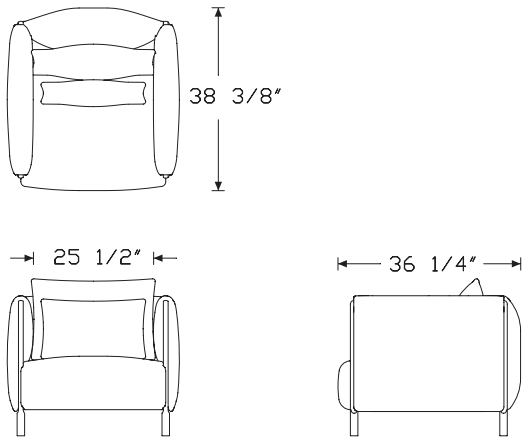


Product Information

Description
 This club chair has wooden frame construction with shaped foam and cover layers folded over the arm rest. Pillows are fiber filled for comfort. A plastic upholstery strip is stitched into the textile allowing the fabric to be stretched and pushed into place over the frame.

Notes
 Handedness is determined from seated position.
 Limited textile selection available. See application chart in appendices.

Dimensions



HermanMiller Collection—Sofas

Specification Information

Step 1.

AJN1000 A

Step 2. Upholstery Type

Q1 quilted, single textile (outside quilted, inside not quilted, same color, same fabric family) A

Prices for Steps 1-2.

AJN1000 Q1 \$3573

Step 3. Outside/Inside Fabric

Price Category (Geiger) 3 +\$739
 Price Category 5 +\$1048
 Price Category (Geiger) G +\$1501

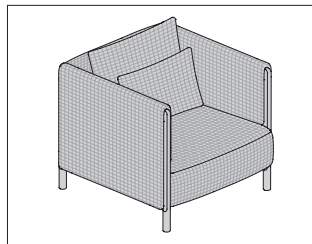
Step 4. Leg Finish

A2 white ash A +\$0
EN ebony A +\$0
OU walnut A +\$0
SBA soft blue ash A +\$0
SGA soft green ash A +\$0
66A recograin frosty ash A +\$0

Step 5. Fire Retardancy

NFR not fire retardant A +\$0
FR fire retardant A +\$495

ColourForm Club Chair, Quilted, Two Textiles AJN10



Product Information

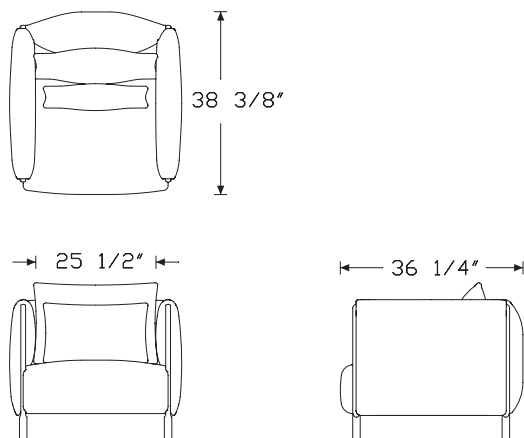
Description

This club chair has wooden frame construction with shaped foam and cover layers folded over the arm rest. Pillows are fiber filled for comfort. A plastic upholstery strip is stitched into the textile allowing the fabric to be stretched and pushed into place over the frame.

Notes

Handedness is determined from seated position.
 Limited textile selection available. See application chart in appendices.

Dimensions



Specification Information

Step 1.

AJN1000 [A]

Step 2. Upholstery Type

Q2 quilted, two textiles (outside quilted, inside quilted) [A]

Prices for Steps 1-2.

AJN1000 Q2 \$3573

Step 3. Outside Fabric

Price Category (Geiger) G +\$1501

Step 4. Inside Fabric

Price Category (Geiger) G +\$0

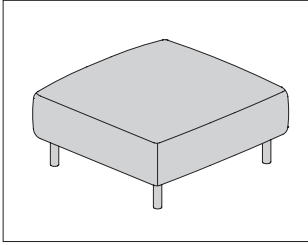
Step 5. Leg Finish

- A2** white ash [A] +\$0
- EN** ebony [A] +\$0
- OU** walnut [A] +\$0
- SBA** soft blue ash [A] +\$0
- SGA** soft green ash [A] +\$0
- 66A** recograin frosty ash [A] +\$0

Step 6. Fire Retardancy

- NFR** not fire retardant [A] +\$0
- FR** fire retardant [A] +\$495

ColourForm Ottoman, Not Quilted, Single Textile AJN04

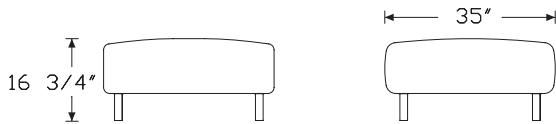


Product Information

Description

This ottoman has wooden frame construction with shaped foam and cover layers folded over the arm rest. Pillows are fiber filled for comfort. A plastic upholstery strip is stitched into the textile allowing the fabric to be stretched and pushed into place over the frame.

Dimensions



HermanMiller Collection—Sofas

Specification Information

Step 1.

AJN0400

Step 2. Upholstery Type

N not quilted, single textile

Prices for Steps 1-2.

AJN0400 N \$1147

Step 3. Ottoman Fabric

Price Category (Geiger) D	+\$160
Price Category 2	+\$16
Price Category (Geiger) 3	+\$26
Price Category 5	+\$88
Price Category (Geiger) 7	+\$200
Price Category (Geiger) G	+\$186
Price Category (Geiger) H	+\$259
Price Category (Geiger) I	+\$283
Price Category (Geiger) J	+\$402

Step 4. Leg Finish

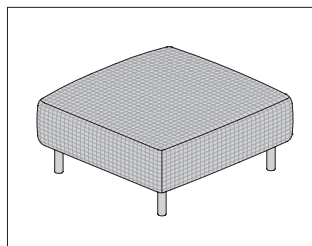
EN ebony <input type="checkbox"/>	+\$0
OU walnut <input type="checkbox"/>	+\$0
A2 white ash <input type="checkbox"/>	+\$0
SBA soft blue ash <input type="checkbox"/>	+\$0
SGA soft green ash <input type="checkbox"/>	+\$0
66A recograin frosty ash <input type="checkbox"/>	+\$0

Step 5. Fire Retardancy

NFR not fire retardant <input type="checkbox"/>	+\$0
FR fire retardant <input type="checkbox"/>	+\$150

ColourForm Ottoman, Quilted,
Single Textile

AJN04

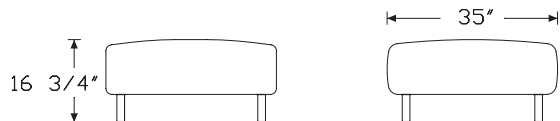


Product Information

Description

This ottoman has wooden frame construction with shaped foam and cover layers folded over the arm rest. Pillows are fiber filled for comfort. A plastic upholstery strip is stitched into the textile allowing the fabric to be stretched and pushed into place over the frame.

Dimensions



Specification Information

Step 1.

AJN0400 [A]

Step 2. Upholstery Type

Q1 quilted, single textile (outside quilted, inside not quilted, same color, same fabric family) [A]

Prices for Steps 1-2.

AJN0400 Q1 \$1147

Step 3. Ottoman Fabric

Price Category (Geiger) 3 +\$155
 Price Category 5 +\$221
 Price Category (Geiger) G +\$320

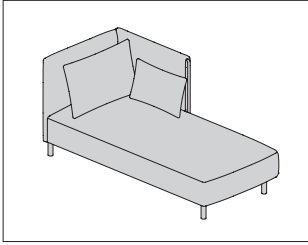
Step 4. Leg Finish

EN ebony [A] +\$0
OU walnut [A] +\$0
A2 white ash [A] +\$0
SBA soft blue ash [A] +\$0
SGA soft green ash [A] +\$0
66A recograin frosty ash [A] +\$0

Step 5. Fire Retardancy

NFR not fire retardant [A] +\$0
FR fire retardant [A] +\$150

ColourForm Chaise, Not Quilted, Single Textile AJN10



Product Information

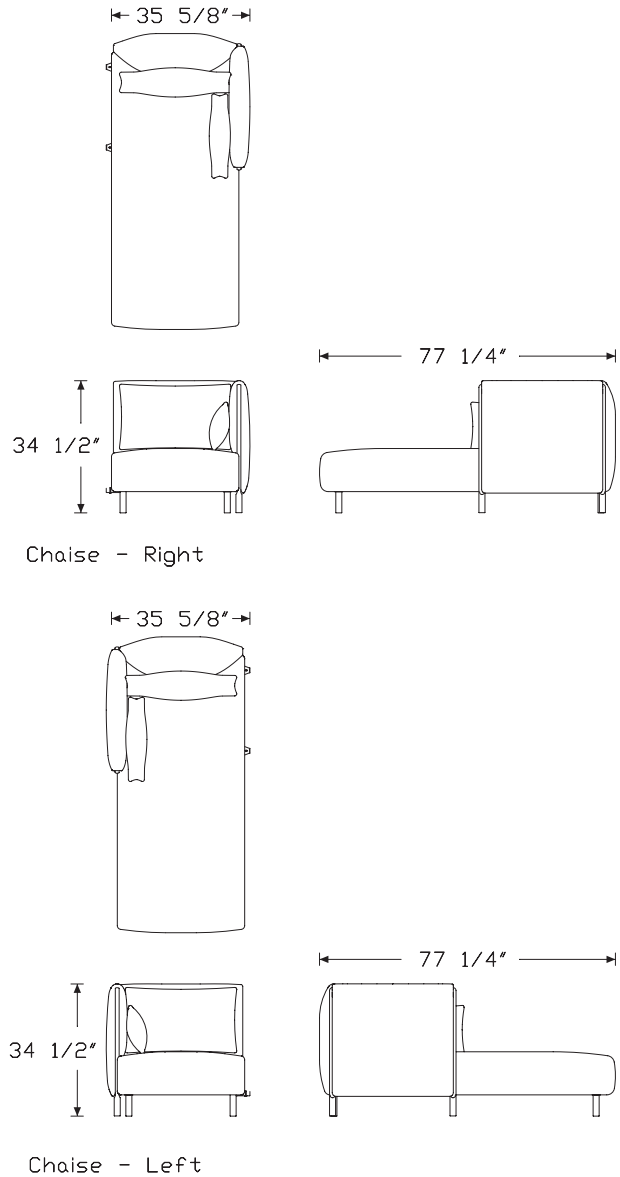
Description

This chaise has wooden frame construction with shaped foam and cover layers folded over the arm rest. Pillows are fiber filled for comfort. A plastic upholstery strip is stitched into the textile allowing the fabric to be stretched and pushed into place over the frame.

Notes

For modularity, order ganging kit (AJNG) separately.
 Handedness is determined from seated position.
 Limited textile selection available. See application chart in appendices.

Dimensions



ColourForm Chaise, Not Quilted,
Single Textile *continued*

Specification Information

Step 1.

AJN

Step 2. Configuration

1004R right chaise

1004L left chaise

Step 3. Upholstery Type

N not quilted, single textile

Prices for Steps 1-3.

AJN1004R N \$3643

AJN1004L N \$3643

Step 4. Outside/Inside Fabric

Price Category (Geiger) D +\$868

Price Category 2 +\$62

Price Category (Geiger) 3 +\$129

Price Category 5 +\$853

Price Category (Geiger) 7 +\$1084

Price Category (Geiger) G +\$1006

Price Category (Geiger) H +\$1399

Price Category (Geiger) I +\$1530

Price Category (Geiger) J +\$2182

Step 5. Leg Finish

EN ebony +\$0

OU walnut +\$0

A2 white ash +\$0

SBA soft blue ash +\$0

SGA soft green ash +\$0

66A recograin frosty ash +\$0

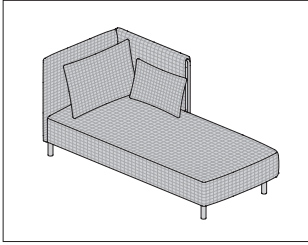
Step 6. Fire Retardancy

NFR not fire retardant +\$0

FR fire retardant +\$570

ColourForm Chaise, Quilted,
Single Textile

AJN10



Product Information

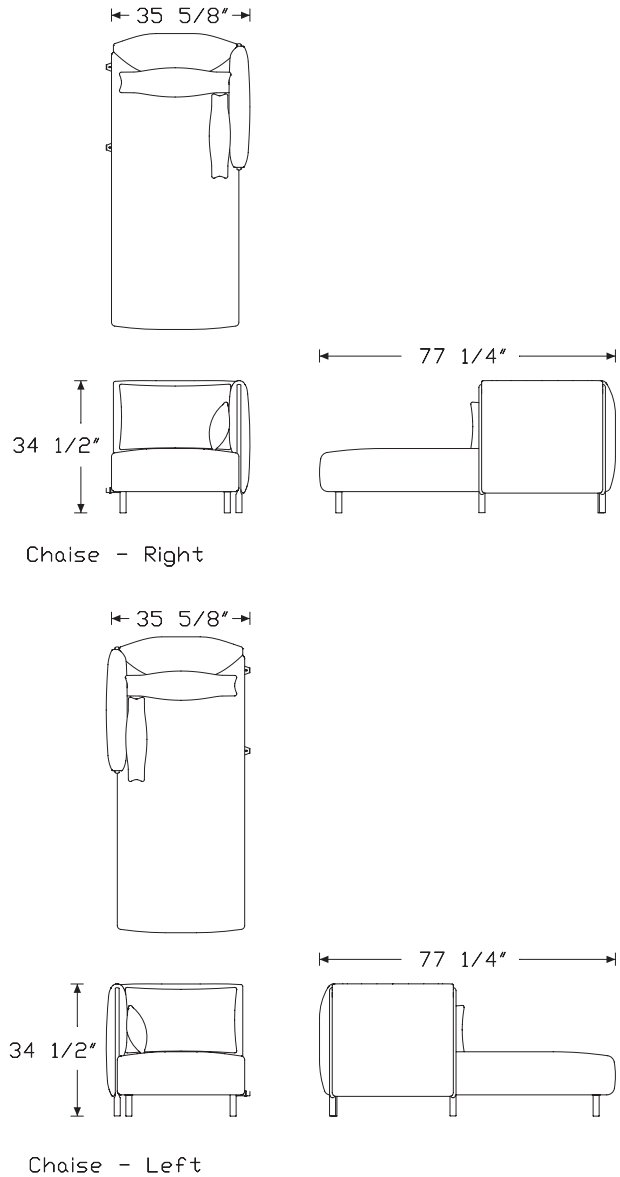
Description

This chaise has wooden frame construction with shaped foam and cover layers folded over the arm rest. Pillows are fiber filled for comfort. A plastic upholstery strip is stitched into the textile allowing the fabric to be stretched and pushed into place over the frame.

Notes

For modularity, order ganging kit (AJNG) separately.
Handedness is determined from seated position.
Limited textile selection available. See application chart in appendices.

Dimensions



ColourForm Chaise, Quilted, Single Textile *continued*

Specification Information

Step 1.

AJN

Step 2. Configuration

1004L left chaise

1004R right chaise

Step 3. Upholstery Type

Q1 quilted, single textile (outside quilted, inside not quilted, same color, same fabric family)

Prices for Steps 1-3.

AJN1004L Q1 \$3643

AJN1004R Q1 \$3643

Step 4. Outside/Inside Fabric

Price Category (Geiger) 3 +\$853

Price Category 5 +\$1209

Price Category (Geiger) G +\$1730

Step 5. Leg Finish

A2 white ash +\$0

EN ebony +\$0

OU walnut +\$0

SBA soft blue ash +\$0

SGA soft green ash +\$0

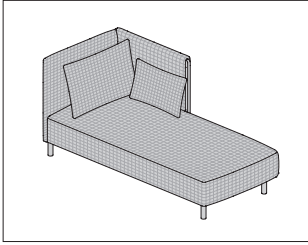
66A recograin frosty ash +\$0

Step 6. Fire Retardancy

NFR not fire retardant +\$0

FR fire retardant +\$570

ColourForm Chaise, Quilted, Two Textiles AJN10



Product Information

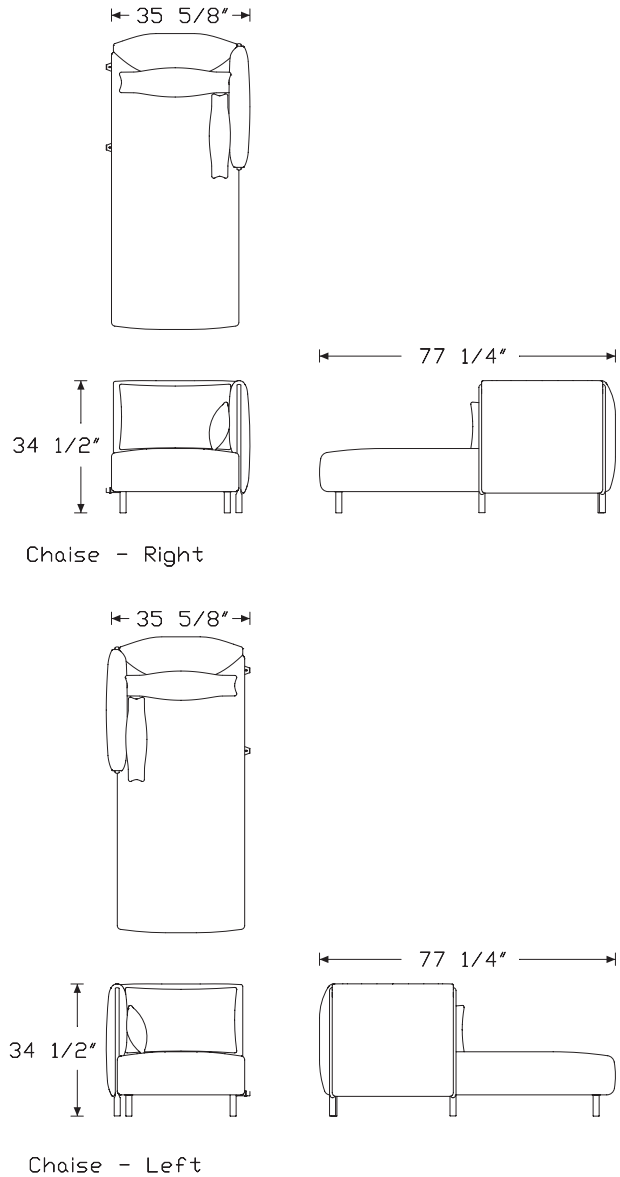
Description

This chaise has wooden frame construction with shaped foam and cover layers folded over the arm rest. Pillows are fiber filled for comfort. A plastic upholstery strip is stitched into the textile allowing the fabric to be stretched and pushed into place over the frame.

Notes

For modularity, order ganging kit (AJNG) separately.
 Handedness is determined from seated position.
 Limited textile selection available. See application chart in appendices.

Dimensions

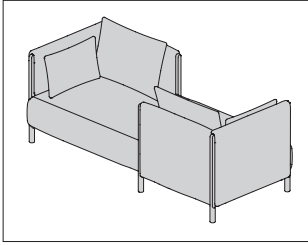


ColourForm Chaise, Quilted, Two Textiles *continued*

Specification Information		
Step 1.		
AJN	<input type="checkbox"/>	
Step 2. Configuration		
1004R	right chaise <input type="checkbox"/>	
1004L	left chaise <input type="checkbox"/>	
Step 3. Upholstery Type		
Q2	quilted, two textiles (outside quilted, inside quilted) <input type="checkbox"/>	
Prices for Steps 1-3.		
AJN1004R Q2		\$3643
AJN1004L Q2		\$3643
Step 4. Outside Fabric		
Price Category (Geiger) G		+\$1730
Step 5. Inside Fabric		
Price Category (Geiger) G		+\$0
Step 6. Leg Finish		
A2	white ash <input type="checkbox"/>	+\$0
EN	ebony <input type="checkbox"/>	+\$0
OU	walnut <input type="checkbox"/>	+\$0
SBA	soft blue ash <input type="checkbox"/>	+\$0
SGA	soft green ash <input type="checkbox"/>	+\$0
66A	recograin frosty ash <input type="checkbox"/>	+\$0
Step 7. Fire Retardancy		
NFR	not fire retardant <input type="checkbox"/>	+\$0
FR	fire retardant <input type="checkbox"/>	+\$570

ColourForm Tete-a-Tete, Not Quilted, Single Textile

AJN10



Product Information

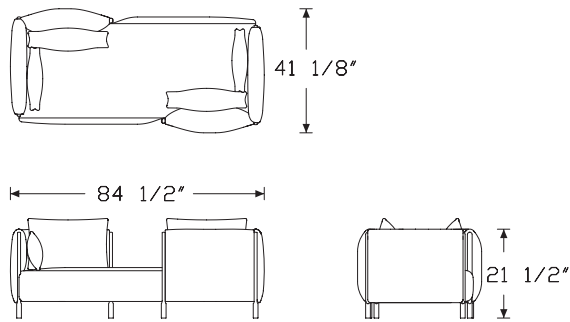
Description

This Tete-a-Tete has wooden frame construction with shaped foam and cover layers folded over the arm rest. Pillows are fiber filled for comfort. A plastic upholstery strip is stitched into the textile allowing the fabric to be stretched and pushed into place over the frame.

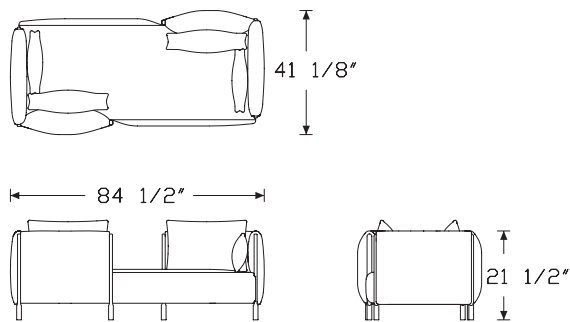
Notes

Handedness is determined from seated position.
 Limited textile selection available. See application chart in appendices.

Dimensions



Tete-a-tete Left



Tete-a-tete Right

Specification Information

Step 1.

AJN A

Step 2. Configuration

1006R tete-a-tete right A

1006L tete-a-tete left A

Step 3. Upholstery Type

N not quilted, single textile A

Prices for Steps 1-3.

AJN1006R N \$4924

AJN1006L N \$4924

Step 4. Outside/Inside Fabric

Price Category (Geiger) D	+\$1233
Price Category 2	+\$87
Price Category (Geiger) 3	+\$183
Price Category 5	+\$688
Price Category (Geiger) 7	+\$1503
Price Category (Geiger) G	+\$1438
Price Category (Geiger) H	+\$1999
Price Category (Geiger) I	+\$2174
Price Category (Geiger) J	+\$3111

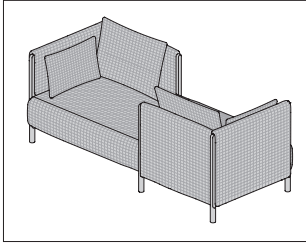
Step 5. Leg Finish

EN ebony A	+\$0
OU walnut A	+\$0
A2 white ash A	+\$0
SBA soft blue ash A	+\$0
SGA soft green ash A	+\$0
66A recograin frosty ash A	+\$0

Step 6. Fire Retardancy

NFR not fire retardant A	+\$0
FR fire retardant A	+\$810

ColourForm Tete-a-Tete, Quilted, Single Textile AJN10



Product Information

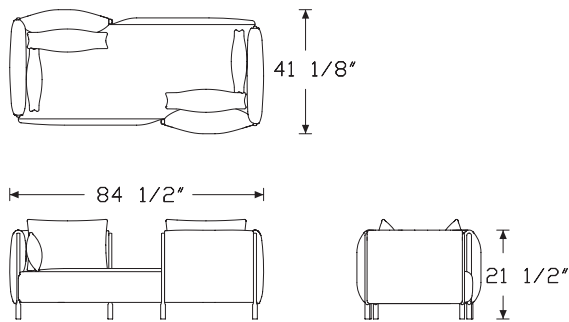
Description

This Tete-a-Tete has wooden frame construction with shaped foam and cover layers folded over the arm rest. Pillows are fiber filled for comfort. A plastic upholstery strip is stitched into the textile allowing the fabric to be stretched and pushed into place over the frame.

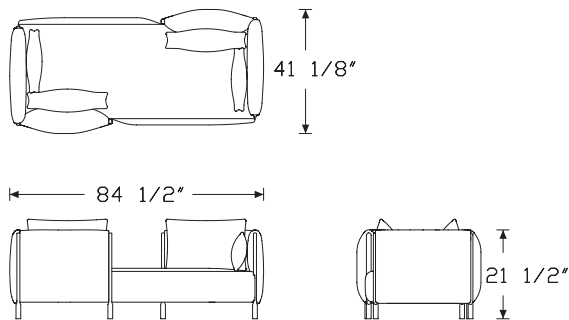
Notes

Handedness is determined from seated position.
 Limited textile selection available. See application chart in appendices.

Dimensions



Tete-a-tete Left



Tete-a-tete Right

Specification Information

Step 1.

AJN A

Step 2. Configuration

1006R tete-a-tete right A

1006L tete-a-tete left A

Step 3. Upholstery Type

Q1 quilted, single textile (outside quilted, inside not quilted, same color, same fabric family) A

Prices for Steps 1-3.

AJN1006R Q1 \$4924

AJN1006L Q1 \$4924

Step 4. Outside/Inside Fabric

Price Category (Geiger) 3 +\$1212

Price Category 5 +\$1716

Price Category (Geiger) G +\$2457

Step 5. Leg Finish

A2 white ash A +\$0

EN ebony A +\$0

OU walnut A +\$0

SBA soft blue ash A +\$0

SGA soft green ash A +\$0

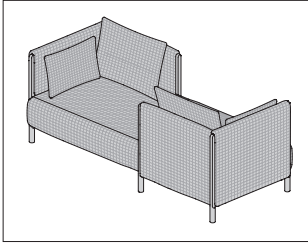
66A recograin frosty ash A +\$0

Step 6. Fire Retardancy

NFR not fire retardant A +\$0

FR fire retardant A +\$810

ColourForm Tete-a-Tete, Quilted, Two Textiles AJN10



Product Information

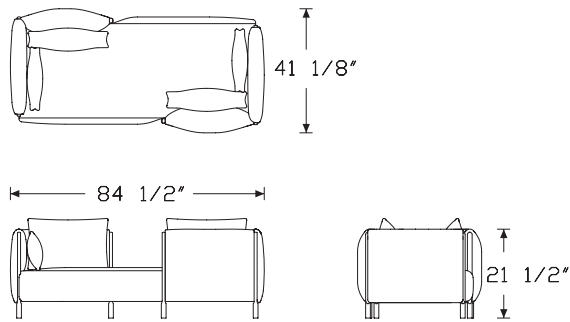
Description

This Tete-a-Tete has wooden frame construction with shaped foam and cover layers folded over the arm rest. Pillows are fiber filled for comfort. A plastic upholstery strip is stitched into the textile allowing the fabric to be stretched and pushed into place over the frame.

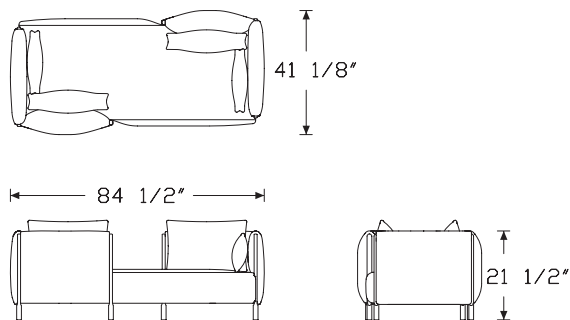
Notes

Handedness is determined from seated position.
 Limited textile selection available. See application chart in appendices.

Dimensions



Tete-a-tete Left



Tete-a-tete Right

HermanMiller Collection—Sofas

Specification Information

Step 1.

AJN A

Step 2. Configuration

1006R tete-a-tete right A

1006L tete-a-tete left A

Step 3. Upholstery Type

Q2 quilted, two textiles (outside quilted, inside quilted) A

Prices for Steps 1-3.

AJN1006R Q2 \$4924

AJN1006L Q2 \$4924

Step 4. Outside Fabric

Price Category (Geiger) G +\$2457

Step 5. Inside Fabric

Price Category (Geiger) G +\$0

Step 6. Leg Finish

A2 white ash A +\$0

EN ebony A +\$0

OU walnut A +\$0

SBA soft blue ash A +\$0

SGA soft green ash A +\$0

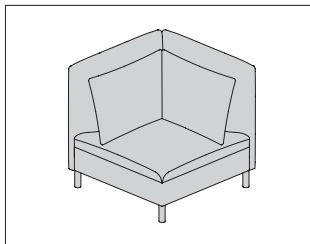
66A recograin frosty ash A +\$0

Step 7. Fire Retardancy

NFR not fire retardant A +\$0

FR fire retardant A +\$810

ColourForm Corner, Not Quilted, Single Textile AJN10



Product Information

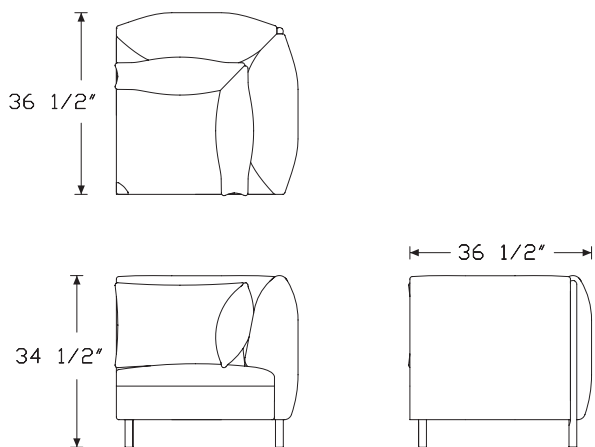
Description

This corner seat has wooden frame construction with shaped foam and cover layers folded over the arm rest. Pillows are fiber filled for comfort. A plastic upholstery strip is stitched into the textile allowing the fabric to be stretched and pushed into place over the frame.

Notes

For modularity, order ganging kit (AJNG) separately.
 Handedness is determined from seated position.
 Limited textile selection available. See application chart in appendices.

Dimensions



Specification Information

Step 1.

AJN1005 [A]

Step 2. Upholstery Type

N not quilted, single textile [A]

Prices for Steps 1-2.

AJN1005 N \$2879

Step 3. Outside/Inside Fabric

Price Category (Geiger) D	+\$777
Price Category 2	+\$57
Price Category (Geiger) 3	+\$117
Price Category 5	+\$435
Price Category (Geiger) 7	+\$970
Price Category (Geiger) G	+\$900
Price Category (Geiger) H	+\$1252
Price Category (Geiger) I	+\$1369
Price Category (Geiger) J	+\$1781

Step 4. Leg Finish

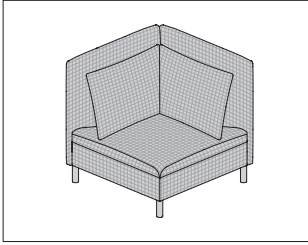
EN ebony [A]	+\$0
OU walnut [A]	+\$0
A2 white ash [A]	+\$0
SBA soft blue ash [A]	+\$0
SGA soft green ash [A]	+\$0
66A recograin frosty ash [A]	+\$0

Step 5. Fire Retardancy

NFR not fire retardant [A]	+\$0
FR fire retardant [A]	+\$510

ColourForm Corner, Quilted,
Single Textile

AJN10



Product Information

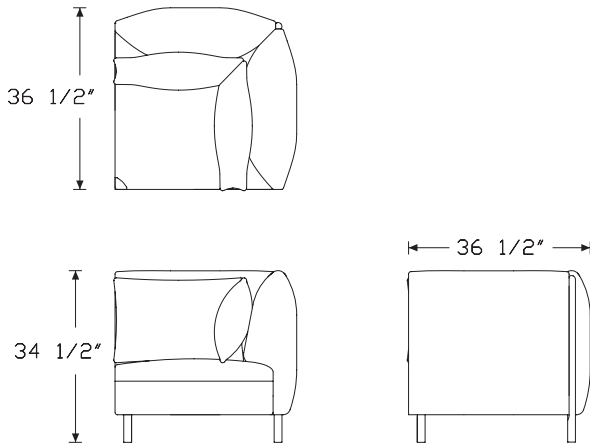
Description

This corner seat has wooden frame construction with shaped foam and cover layers folded over the arm rest. Pillows are fiber filled for comfort. A plastic upholstery strip is stitched into the textile allowing the fabric to be stretched and pushed into place over the frame.

Notes

For modularity, order ganging kit (AJNG) separately.
Handedness is determined from seated position.
Limited textile selection available. See application chart in appendices.

Dimensions



HermanMiller Collection—Sofas

Specification Information

Step 1.

AJN1005 A

Step 2. Upholstery Type

Q1 quilted, single textile (outside quilted, inside not quilted, same color, same fabric family) A

Prices for Steps 1-2.

AJN1005 Q1 \$2879

Step 3. Outside/Inside Fabric

Price Category (Geiger) 3 +\$765
Price Category 5 +\$1083
Price Category (Geiger) G +\$1548

Step 4. Leg Finish

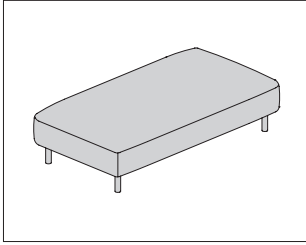
A2 white ash A +\$0
EN ebony A +\$0
OU walnut A +\$0
SBA soft blue ash A +\$0
SGA soft green ash A +\$0
66A recograin frosty ash A +\$0

Step 5. Fire Retardancy

NFR not fire retardant A +\$0
FR fire retardant A +\$510

ColourForm Bench, Not Quilted,
Single Textile

AJN2B
AJN3B

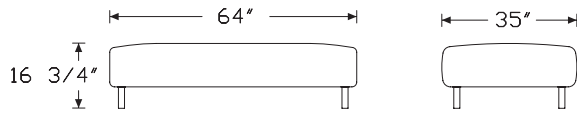


Product Information

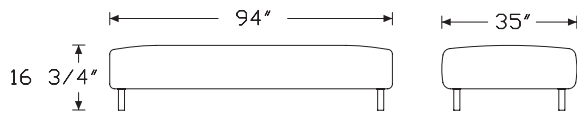
Description

This bench has wooden frame construction with shaped foam and cover layers folded over the arm rest. Pillows are fiber filled for comfort. A plastic upholstery strip is stitched into the textile allowing the fabric to be stretched and pushed into place over the frame.

Dimensions



2 Seat Bench



3 Seat Bench

Specification Information

Step 1.

AJN A

Step 2. Configuration

2B 2 seat bench A

3B 3 seat bench A

Step 3. Upholstery Type

N not quilted, single textile A

Prices for Steps 1-3.

AJN2B N \$2208

AJN3B N \$2225

Step 4. Bench Fabric

Price Category 2	+\$37
Price Category 5	+\$268
Price Category (Geiger) 3	+\$73
Price Category (Geiger) 7	+\$599
Price Category (Geiger) G	+\$556
Price Category (Geiger) H	+\$773
Price Category (Geiger) I	+\$845
Price Category (Geiger) J	+\$1206
Price Category (Geiger) D	+\$480

Step 5. Leg Finish

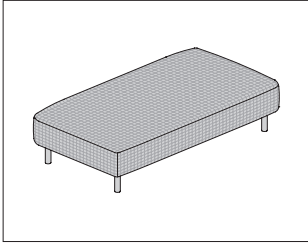
A2 white ash <input type="checkbox"/> A	+\$0
EN ebony <input type="checkbox"/> A	+\$0
OU walnut <input type="checkbox"/> A	+\$0
SBA soft blue ash <input type="checkbox"/> A	+\$0
SGA soft green ash <input type="checkbox"/> A	+\$0
66A recograin frosty ash <input type="checkbox"/> A	+\$0

Step 6. Fire Retardancy

NFR not fire retardant <input type="checkbox"/> A	+\$0
FR fire retardant <input type="checkbox"/> A	+\$360

ColourForm Bench, Quilted,
Single Textile

AJN2B
AJN3B

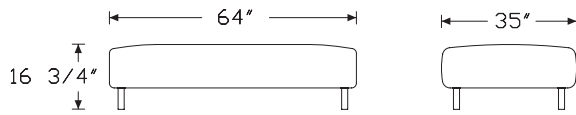


Product Information

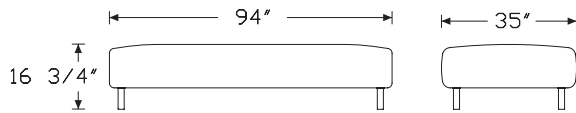
Description

This bench has wooden frame construction with shaped foam and cover layers folded over the arm rest. Pillows are fiber filled for comfort. A plastic upholstery strip is stitched into the textile allowing the fabric to be stretched and pushed into place over the frame.

Dimensions



2 Seat Bench



3 Seat Bench

HermanMiller Collection—Sofas

Specification Information

Step 1.

AJN A

Step 2. Configuration

2B 2 seat bench A

3B 3 seat bench A

Step 3. Upholstery Type

Q1 quilted, single textile (outside quilted, inside not quilted, same color, same fabric family) A

Prices for Steps 1-3.

AJN2B Q1 \$2208

AJN3B Q1 \$2225

Step 4. Bench Fabric

Price Category (Geiger) 3 +\$472

Price Category 5 +\$669

Price Category (Geiger) G +\$955

Step 5. Leg Finish

A2 white ash A +\$0

EN ebony A +\$0

OU walnut A +\$0

SBA soft blue ash A +\$0

SGA soft green ash A +\$0

66A recograin frosty ash A +\$0

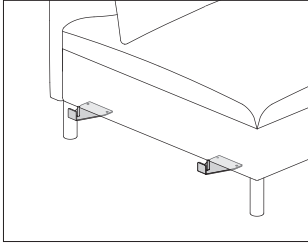
Step 6. Fire Retardancy

NFR not fire retardant A +\$0

FR fire retardant A +\$360

ColourForm Ganging Kit

AJNG

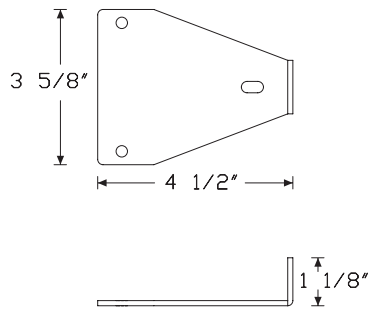


Product Information

Description

This ganging kit is required for modularity as noted on product pages.

Dimensions



Specification Information

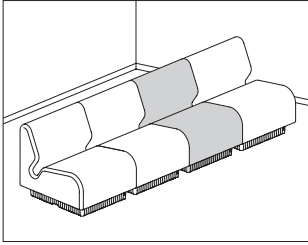
Step 1.

AJNG A

\$75

Chadwick Module

CM101
CM102
CM103
CM105
CM106



Product Information

Description

This fully upholstered foam module has a black molded base.

Modules link together in any combination with loop connectors. 2 loop connectors are included with each module. Power components are sold separately.

Notes

When specifying power components, fire retardant (FR) module must be specified.

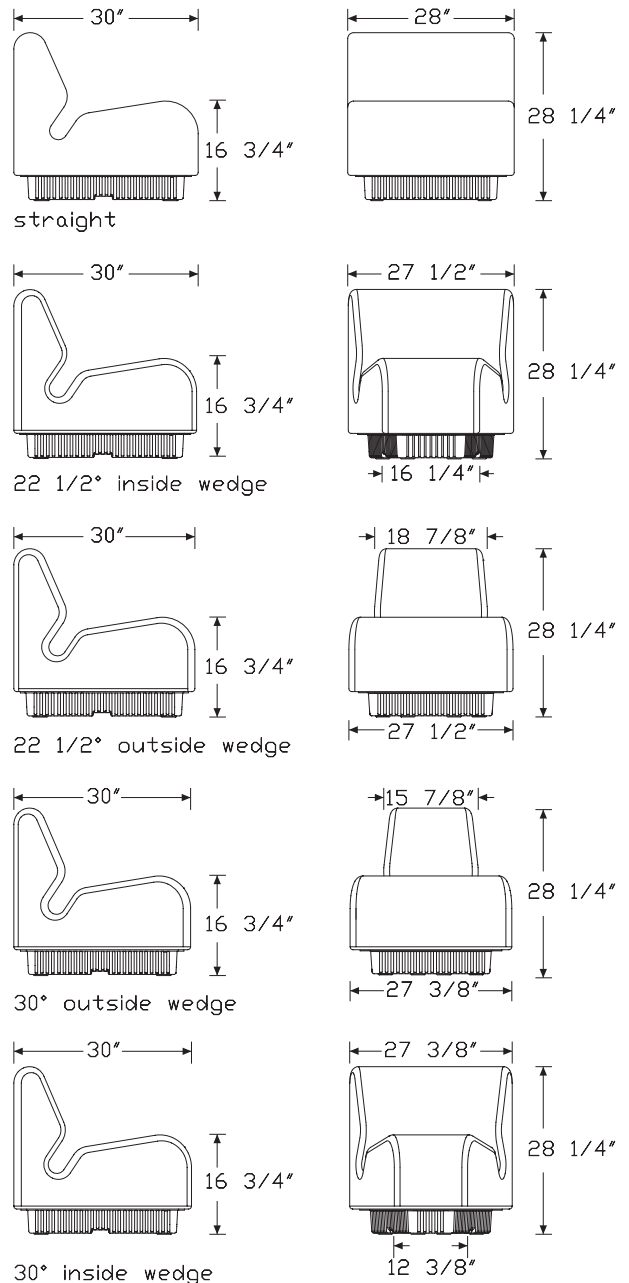
Order base covers (CM104N) separately.

Customer's Own Material (COM) requires 4 yards for nonrepeating fabric. See Order Information in Appendices. For more information, contact COM Department.

Fabrics with a repeat that must be matched, or that are less than 54" wide, require additional yardage. Use the following chart to determine COM yardage requirements. For fabric with both horizontal and vertical repeats, add the horizontal and vertical repeat inches together. Use the total number of repeat inches to determine the additional fabric needed.

Fabric Width	Plain Fabric	2"-10" Repeat	11"-20" Repeat	21"-25" Repeat	26"-30" Repeat
54"	0%	10%	15%	20%	25%
51"-53"	15%	20%	25%	30%	35%
48"-50"	30%	35%	40%	45%	50%
45"-47"	45%	50%	55%	60%	65%
36"-44"	60%	65%	70%	75%	80%

Dimensions



Specification Information

Step 1.

CM10 A

Step 2. Shape

- 1N** straight A
- 2N** 22¹/₂° inside wedge A
- 3N** 22¹/₂° outside wedge A
- 5N** 30° outside wedge A
- 6N** 30° inside wedge A

Step 3. Fire Retardancy

- NFR** not fire retardant A
- FR** fire retardant A

Prices for Steps 1-3.

CM101N	NFR	\$1554
	FR	\$1918
<hr/>		
CM102N	NFR	\$1500
	FR	\$1864
<hr/>		
CM103N	NFR	\$1500
	FR	\$1864
<hr/>		
CM105N	NFR	\$1500
	FR	\$1864
<hr/>		
CM106N	NFR	\$1500
	FR	\$1864

Step 4. Fabric

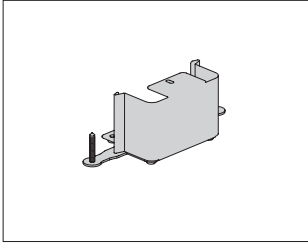
See application chart and textiles list for fabric usage and numbers.
 First 2 digits of number indicate fabric line; remaining digit(s) indicate fabric color.

For not fire retardant (NFR)

Price Category 1 <input type="checkbox"/> A	+\$119
Price Category 2	+\$130
Price Category (Geiger) 4	+\$155
Price Category 5	+\$232
Price Category (Geiger) 7	+\$490
Price Category C	+\$145
Price Category G	+\$492
Price Category H	+\$609

For fire retardant (FR)

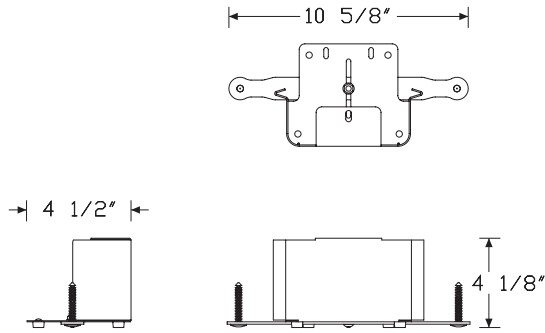
Price Category 2	+\$130
Price Category (Geiger) 4	+\$155
Price Category 5	+\$232



Product Information

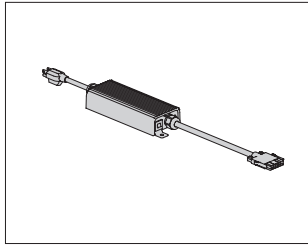
Description
 This base cover kit fills the gap at the base between 2 Chadwick modules. Package contains 2 steel covers to accommodate the front and back sides of the modules.

Dimensions



Specification Information

Step 1.
CM104N A \$135



Product Information

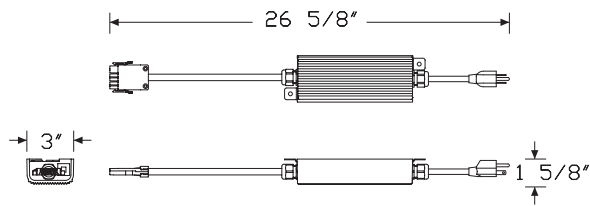
Description

This power entry connects a building's electrical supply from a wall, floor, or column to a Chadwick power receptacle kit. Entry can accommodate up to 8 duplex receptacles or 40' of cable length. Fire retardant Chadwick modules must be specified to be UL compliant. Power entry is UL listed.

Notes

Order power receptacle kit (CM108N) separately.

Dimensions



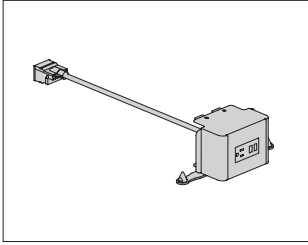
Specification Information

Step 1.

CM107N [A] \$366

Step 2. Cord Length

A	6' [A]	+\$0
B	10' [A]	+\$15
C	15' [A]	+\$40
D	25' [A]	+\$100

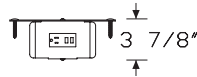
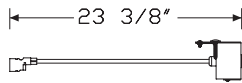
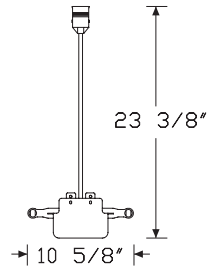


Product Information

Description

This receptacle kit attaches between 2 Chadwick module bases and has a 110-volt receptacle and 2 USB ports. It includes a base cover for the back of the base. Faceplate may be mounted flush with the base or slightly proud of the base. Fire retardant Chadwick modules must be specified to be UL compliant. Receptacle kit is UL listed.

Dimensions

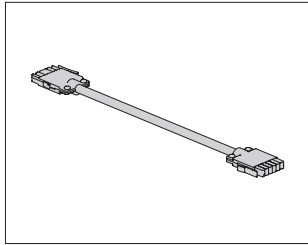


Specification Information

Step 1.

CM108N A

\$328



Product Information

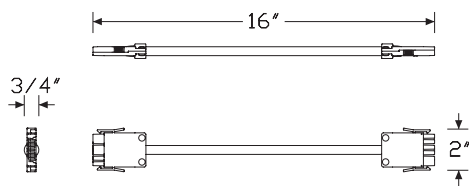
Description

This power jumper connects power between 2 receptacle kits. Fire retardant Chadwick modules must be specified to be UL compliant. Jumper is UL listed.

Notes

Order power entry (CM107N) and receptacle kit (CM108N) separately.

Dimensions



Specification Information

Step 1.

CM109N [A]

Step 2. Length

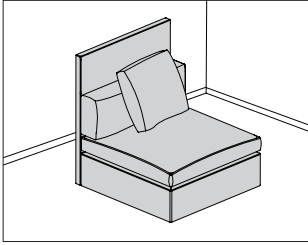
- A** 30" [A]
- B** 47" [A]
- C** 75" [A]
- D** 103" [A]

Prices for Steps 1-2.

CM109N A	\$82
B	\$92
C	\$102
D	\$114

Module Lounge Seating with Privacy Back Single Seat

AL2C5



Product Information

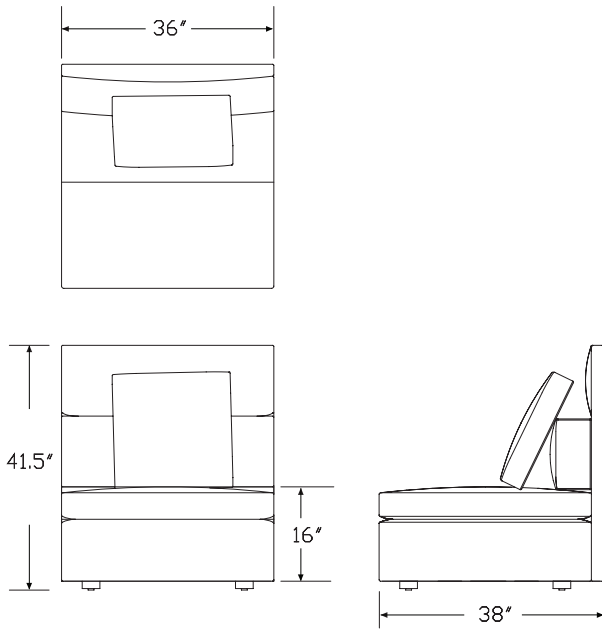
Description

This single seat with an upholstered back privacy partition has an attached seat cushion and loose back, side, and throw cushions. Adjustable glides and ganging hardware included.

Notes

Handedness is determined from a seated position.
 Customer's Own Material (COM) requires 6 yards. Customer's Own Leather (COL) requires 119 square feet. See Order Information in Appendices.
 Limited textile selection available. See application chart in appendices.

Dimensions



HermanMiller Collection—Sofas

Specification Information

Step 1.

AL2C A

Step 2. Configuration

500A armless

Step 3. Upholstery Assignment

S single fabric

Prices for Steps 1-3.

AL2C500A S \$3818

Step 4. Leg Finish

EN ebony +\$0

Step 5. Fabric

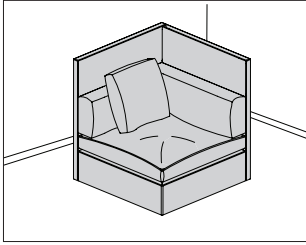
Price Category 1	+\$0
Price Category 2	+\$168
Price Category 3	+\$181
Price Category (Geiger) 3	+\$181
Price Category 4	+\$216
Price Category (Geiger) 4	+\$216
Price Category 5	+\$368
Price Category (Geiger) 5	+\$368
Price Category (Geiger) 6	+\$442
Price Category 7	+\$685
Price Category (Geiger) 7	+\$685
Price Category 9	+\$1050
Price Category (Geiger) 9	+\$1050
Price Category 10	+\$1346
Price Category 11	+\$1568
Price Category 14	+\$1954
Price Category D	+\$0
Price Category G	+\$726
Price Category H	+\$881
Price Category J	+\$1189

Step 6. Fire Retardancy

NFR not fire retardant A	+\$0
FR fire retardant A	+\$400

Module Lounge Seating with Privacy Back Corner

AL2C7



Product Information

Description

This corner with an upholstered back privacy partition has an attached seat cushion, and loose back, side, and throw cushions. Adjustable glides and ganging hardware included.

Notes

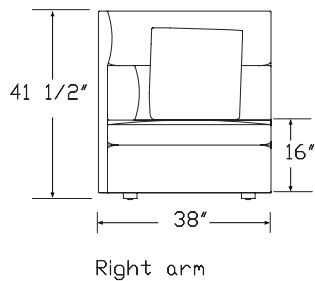
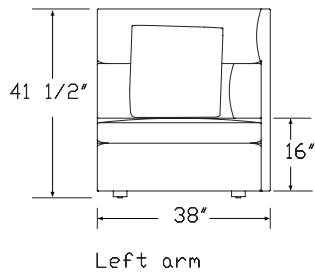
Handedness is determined from a seated position.

Corner piece can be used as end piece.

Customer's Own Material (COM) requires 8 yards. Customer's Own Leather (COL) requires 160 square feet. See Order Information in Appendices.

Limited textile selection available. See application chart in appendices.

Dimensions



Specification Information

Step 1.

AL2C A

Step 2. Configuration

700R right arm corner

700L left arm corner

Step 3. Upholstery Assignment

S single fabric

Prices for Steps 1-3.

AL2C700R S \$4095

AL2C700L S \$4095

Step 4. Leg Finish

EN ebony +\$0

Step 5. Fabric

Price Category 1	+\$0
Price Category 2	+\$220
Price Category 3	+\$253
Price Category (Geiger) 3	+\$253
Price Category 4	+\$288
Price Category (Geiger) 4	+\$288
Price Category 5	+\$490
Price Category (Geiger) 5	+\$490
Price Category (Geiger) 6	+\$589
Price Category 7	+\$913
Price Category (Geiger) 7	+\$913
Price Category 9	+\$1373
Price Category (Geiger) 9	+\$1373
Price Category 10	+\$1795
Price Category 11	+\$2091
Price Category 14	+\$2556
Price Category D	+\$0
Price Category G	+\$967
Price Category H	+\$1175
Price Category J	+\$1586

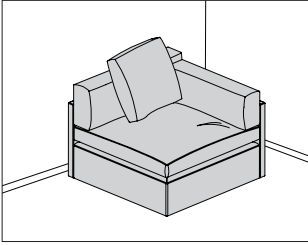
Step 6. Fire Retardancy

NFR not fire retardant A +\$0

FR fire retardant A +\$500

Module Lounge Seating Single
Seat

AL2C1
AL2C2



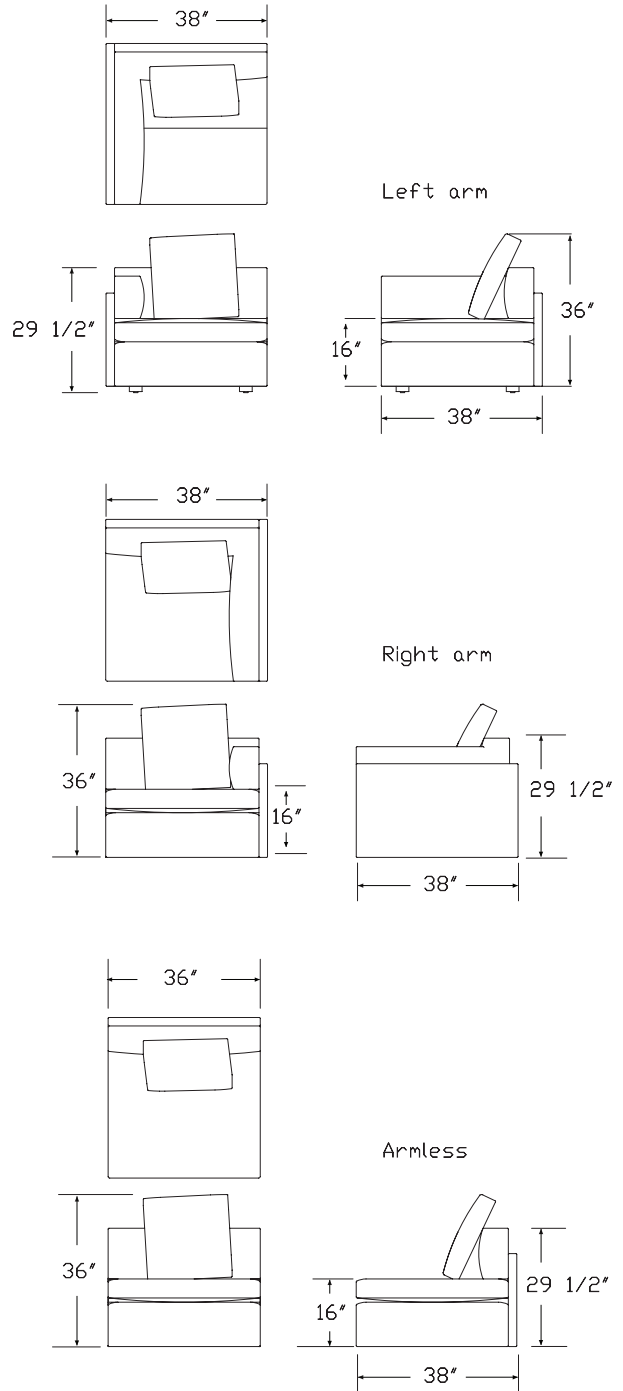
Product Information

Description
This single seat has an attached seat cushion and loose back, side and throw cushions. Adjustable glides and ganging hardware included.

Notes

Handedness is determined from a seated position.
Customer's Own Material (COM) requires 5 yards for armless, or 7 1/2 yards for right arm and left arm configurations. Customer's Own Leather (COL) requires 90 square feet for armless, or 130 square feet for right arm and left arm configurations. See Order Information in Appendices.
Limited textile selection available. See application chart in appendices.

Dimensions



Module Lounge Seating Single Seat *continued*

Specification Information

Step 1.

AL2C A

Step 2. Configuration

2000 armless

100R right arm

100L left arm

Step 3. Upholstery Assignment

S single fabric

Prices for Steps 1-3.

AL2C2000 S \$3500

AL2C100R S \$4136

AL2C100L S \$4136

Step 4. Leg Finish

EN ebony +\$0

Step 5. Fabric

Price Category 1 +\$0

Price Category 2 +\$93

Price Category 3 +\$118

Price Category (Geiger) 3 +\$118

Price Category 4 +\$270

Price Category (Geiger) 4 +\$270

Price Category 5 +\$339

Price Category (Geiger) 5 +\$339

Price Category (Geiger) 6 +\$478

Price Category 7 +\$571

Price Category (Geiger) 7 +\$571

Price Category 9 +\$1212

Price Category (Geiger) 9 +\$1212

Price Category 10 +\$1682

Price Category 11 +\$1961

Price Category 14 +\$2255

Price Category D +\$0

Price Category G +\$785

Price Category H +\$954

Price Category J +\$1288

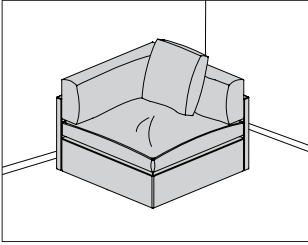
Step 6. Fire Retardancy

NFR not fire retardant A +\$0

FR fire retardant A +\$400

Module Lounge Seating Corner

AL2C3



Product Information

Description

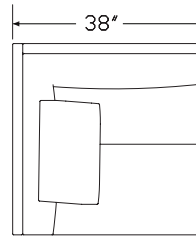
This corner has an attached seat cushion and loose back, side, and throw cushions. Adjustable glides and ganging hardware included.

Notes

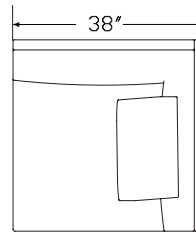
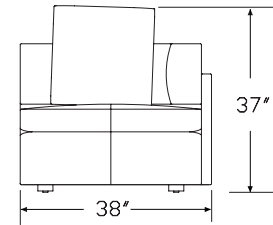
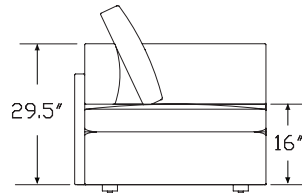
Customer's Own Material (COM) requires 7½ yards. Customer's Own Leather (COL) requires 130 square feet. See Order Information in Appendices.

Limited textile selection available. See application chart in appendices.

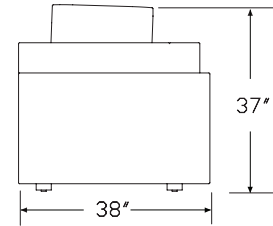
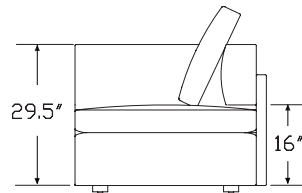
Dimensions



Left arm



Right arm

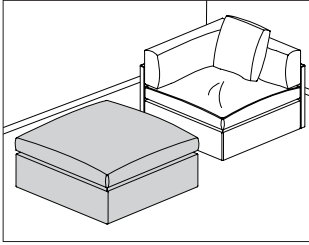


Module Lounge Seating Corner

continued

Specification Information	
Step 1.	
AL2C	<input type="checkbox"/> A
Step 2. Configuration	
3000	corner
Step 3. Upholstery Assignment	
S	single fabric
Prices for Steps 1-3.	
AL2C3000 S	\$3288
Step 4. Leg Finish	
EN	ebony +\$0
Step 5. Fabric	
Price Category 1	+\$0
Price Category 2	+\$93
Price Category 3	+\$118
Price Category (Geiger) 3	+\$118
Price Category 4	+\$270
Price Category (Geiger) 4	+\$270
Price Category 5	+\$339
Price Category (Geiger) 5	+\$339
Price Category (Geiger) 6	+\$478
Price Category 7	+\$571
Price Category (Geiger) 7	+\$571
Price Category 9	+\$1212
Price Category (Geiger) 9	+\$1212
Price Category 10	+\$1682
Price Category 11	+\$1961
Price Category 14	+\$2255
Price Category D	+\$0
Price Category G	+\$1176
Price Category H	+\$1102
Price Category J	+\$1487
Step 6. Fire Retardancy	
NFR	not fire retardant <input type="checkbox"/> A +\$0
FR	fire retardant <input type="checkbox"/> A +\$450

Module Lounge Seating Ottoman AL2C4

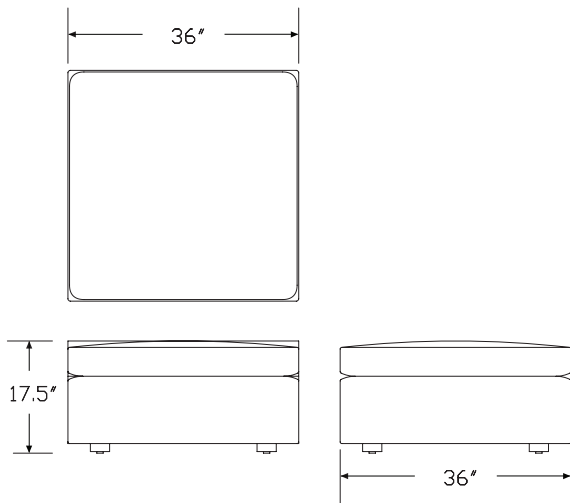


Product Information

Description
This ottoman has adjustable glides. Connecting hardware included.

Notes
Customer's Own Material (COM) requires 3½ yards. Customer's Own Leather (COL) requires 57 square feet. See Order Information in Appendices.
Limited textile selection available. See application chart in appendices.

Dimensions



HermanMiller Collection—Sofas

Specification Information

Step 1.

AL2C A

Step 2. Configuration

4000 ottoman

Step 3. Upholstery Assignment

S single fabric

Prices for Steps 1-3.

AL2C4000 S \$3818

Step 4. Leg Finish

EN ebony +\$0

Step 5. Fabric

Price Category 1	+\$0
Price Category 2	+\$46
Price Category 3	+\$55
Price Category (Geiger) 3	+\$55
Price Category 4	+\$126
Price Category (Geiger) 4	+\$126
Price Category 5	+\$215
Price Category (Geiger) 5	+\$215
Price Category (Geiger) 6	+\$258
Price Category 7	+\$392
Price Category (Geiger) 7	+\$392
Price Category 9	+\$566
Price Category (Geiger) 9	+\$566
Price Category 10	+\$785
Price Category 11	+\$915
Price Category 14	+\$1052
Price Category D	+\$0
Price Category G	+\$423
Price Category H	+\$514
Price Category J	+\$694

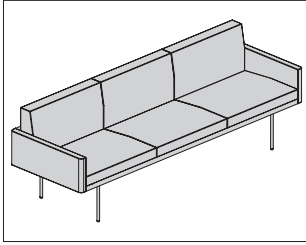
Step 6. Fire Retardancy

NFR not fire retardant A +\$0

FR fire retardant A +\$200

Tuxedo Component Lounge™ Sofa

ST3AL
ST3AN
ST3AQ
ST3AR
ST3NN
ST3NQ



Product Information

Description

This sofa has a foam and Dacron® seat with a painted or plated steel base.

Notes

Customer's Own Material (COM)/Customer's Own Leather (COL) requires the following:

Type—COM—COL

ST3NN—11¼ yards—202½ square feet

ST3NQ—11¼ yards—202½ square feet

ST3AN—13 yards—234 square feet

ST3AQ—13 yards—234 square feet

ST3ALN—12¼ yards—220½ square feet

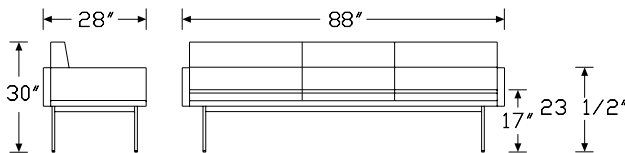
ST3ARN—12¼ yards—220½ square feet

ST3ALQ—12¼ yards—220½ square feet

ST3ARQ—12¼ yards—220½ square feet

See Order Information in Appendices for more information.

Dimensions



Specification Information

Step 1.

ST3 A

Step 2. Arms

N no arms A

A arms A

AL arm left, armless right A

AR arm right, armless left A

Step 3. Upholstery Type

N not quilted A

Q quilted A

Prices for Steps 1-3.

ST3NN	\$5180
ST3NQ	\$5355
ST3AN	\$5820
ST3AQ	\$6000
ST3AL N	\$5420
Q	\$5595
ST3AR N	\$5420
Q	\$5595

Step 4. Upholstery

For not quilted (N)

	N	A	AL	AR
Price Category (Geiger) 1	+\$453	523	493	493
Price Category 1	+\$0	0	0	0
Price Category (Geiger) 2	+\$545	630	594	594
Price Category 2	+\$545	630	594	594
Price Category (Geiger) 3	+\$684	791	745	745
Price Category 3	+\$684	791	745	745
Price Category (Geiger) 4	+\$835	965	909	909
Price Category 4	+\$835	965	909	909
Price Category (Geiger) 5	+\$1217	1406	1326	1326
Price Category 5	+\$1217	1406	1326	1326
Price Category (Geiger) 6	+\$1600	1848	1742	1742
Price Category (Geiger) 7	+\$1982	2290	2158	2158
Price Category (Geiger) 8	+\$3037	3509	3307	3307
Price Category (Geiger) 9	+\$3766	4352	4102	4102
Price Category 9	+\$4352	4352	4102	4102
Price Category (Geiger) 10	+\$4335	5008	4720	4720
Price Category (Geiger) 11	+\$4856	5611	5287	5287
Price Category 14	+\$6362	7352	6928	6928

Tuxedo Component Lounge™ Sofa

continued

HermanMiller Collection—Sofas

Price Category (Geiger) A	+\$383	442	418	418
Price Category (Geiger) C	+\$614	710	670	670
Price Category (Geiger) D	+\$812	938	884	884
Price Category (Geiger) E	+\$985	1139	1074	1074
Price Category (Geiger) F	+\$1183	1366	1288	1288
Price Category (Geiger) G	+\$1611	1862	1755	1755
Price Category (Geiger) H	+\$2005	2317	2184	2184
Price Category H	+\$1294	1495	2120	0
Price Category (Geiger) I	+\$2422	2799	2638	2638
Price Category (Geiger) J	+\$2839	3281	3093	3093
Price Category (Geiger) K	+\$3256	3763	3547	3547
Price Category (Geiger) L	+\$3673	4245	4001	4001
Price Category (Geiger) M	+\$4091	4727	4455	4455
Price Category (Geiger) N	+\$4508	5209	4909	4909
Price Category (Geiger) O	+\$4925	5691	5364	5364
Price Category (Geiger) P	+\$5331	6160	5805	5805
Price Category (Geiger) Q	+\$6154	7111	6701	6701
Price Category (Geiger) R	+\$8575	9909	9337	9337
Price Category (Geiger) S	+\$9213	10646	10032	10032
Price Category (Geiger) V	+\$11124	12855	12113	12113
Price Category (Geiger) X	+\$12400	14328	13502	13502
Price Category (Geiger) Y	+\$13036	15064	14196	14196
Price Category (Geiger) COM A	+\$0	0	0	0
Price Category (Geiger) COL A	+\$810	936	882	882

For quilted (Q)

	N	A	AL	AR
Price Category (Geiger) 1	+\$453	523	493	493
Price Category 1	+\$0	0	0	0
Price Category (Geiger) 2	+\$545	630	594	594
Price Category 2	+\$545	630	594	594
Price Category (Geiger) 3	+\$684	791	745	745
Price Category 3	+\$684	791	745	745
Price Category (Geiger) 4	+\$835	965	909	909
Price Category 4	+\$835	965	909	909
Price Category (Geiger) 5	+\$1217	1406	1326	1326
Price Category 5	+\$1217	1406	1326	1326
Price Category (Geiger) 6	+\$1600	1848	1742	1742
Price Category (Geiger) 7	+\$1982	2290	2158	2158
Price Category (Geiger) 8	+\$3037	3509	3307	3307
Price Category (Geiger) 9	+\$3766	4352	4102	4102
Price Category 9	+\$4352	4352	4102	4102
Price Category (Geiger) 10	+\$4335	5008	4720	4720
Price Category (Geiger) 11	+\$4856	5611	5287	5287
Price Category 14	+\$6362	7352	6928	6928
Price Category (Geiger) A	+\$383	442	418	418
Price Category (Geiger) C	+\$614	710	670	670

Price Category (Geiger) D	+\$812	938	884	884
Price Category (Geiger) E	+\$985	1139	1074	1074
Price Category (Geiger) F	+\$1183	1366	1288	1288
Price Category (Geiger) G	+\$1611	1862	1755	1755
Price Category (Geiger) H	+\$2005	2317	2184	2184
Price Category H	+\$1294	1495	0	2120
Price Category (Geiger) I	+\$2422	2799	2638	2638
Price Category (Geiger) J	+\$2839	3281	3093	3093
Price Category (Geiger) K	+\$3256	3763	3547	3547
Price Category (Geiger) L	+\$3673	4245	4001	4001
Price Category (Geiger) M	+\$4091	4727	4455	4455
Price Category (Geiger) N	+\$4508	5209	4909	4909
Price Category (Geiger) O	+\$4925	5691	5364	5364
Price Category (Geiger) P	+\$5331	6160	5805	5805
Price Category (Geiger) Q	+\$6154	7111	6701	6701
Price Category (Geiger) R	+\$8575	9909	9337	9337
Price Category (Geiger) S	+\$9213	10646	10032	10032
Price Category (Geiger) V	+\$11124	12855	12113	12113
Price Category (Geiger) COM A	+\$0	0	0	0
Price Category (Geiger) COL A	+\$810	936	882	882

Step 5. Base Finish

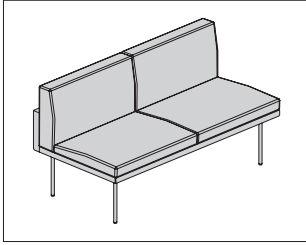
926 black A				+\$0
AS arctic silver A				+\$0
WHT white A				+\$0
BNZ bronze A				+\$671
CHR chrome A				+\$671
SAC satin chrome A				+\$671

Step 6. Fire Retardancy

	N	A	AL	AR
NOCAL not fire retardant A	+\$0	0	0	0
133 fire retardant A	+\$732	845	797	797

Tuxedo Component Lounge™ Settee

ST2AL
ST2AN
ST2AQ
ST2AR
ST2NN
ST2NQ



Product Information

Description

This settee has a foam and Dacron® seat with a painted or plated steel base.

Notes

Customer's Own Material (COM)/Customer's Own Leather (COL) requires the following:

Type—COM—COL

ST2NN—7½ yards—135 square feet

ST2NQ—7½ yards—135 square feet

ST2AN—9¼ yards—166½ square feet

ST2AQ—9¼ yards—166½ square feet

ST2ALN—8½ yards—153 square feet

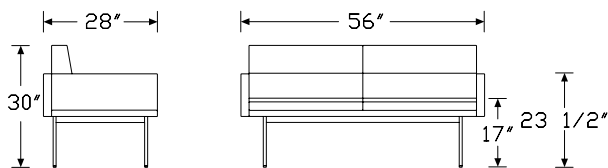
ST2ARN—8½ yards—153 square feet

ST2ALQ—8½ yards—153 square feet

ST2ARQ—8½ yards—153 square feet

See Order Information in Appendices for more information.

Dimensions



Specification Information

Step 1.

ST2 A

Step 2. Arms

N no arms A

A arms A

AL arm left, armless right A

AR arm right, armless left A

Step 3. Upholstery Type

N not quilted A

Q quilted A

Prices for Steps 1-3.

ST2NN		\$3745
ST2NQ		\$3850
ST2AN		\$4265
ST2AQ		\$4555
ST2AL N		\$3895
	Q	\$4025
ST2AR N		\$3895
	Q	\$4025

Step 4. Upholstery

For not quilted (N)

	N	A	AL	AR
Price Category (Geiger) 1	+\$302	372	342	342
Price Category 1	+\$0	0	0	0
Price Category (Geiger) 2	+\$364	449	412	412
Price Category 2	+\$364	449	412	412
Price Category (Geiger) 3	+\$457	563	518	518
Price Category 3	+\$457	563	518	518
Price Category (Geiger) 4	+\$557	686	631	631
Price Category 4	+\$557	686	631	631
Price Category (Geiger) 5	+\$812	1001	920	920
Price Category 5	+\$812	1001	920	920
Price Category (Geiger) 6	+\$1067	1316	1209	1209
Price Category (Geiger) 7	+\$1322	1630	1498	1498
Price Category (Geiger) 8	+\$2024	2497	2294	2294
Price Category (Geiger) 9	+\$2512	3097	2846	2846
Price Category 9	+\$3097	3097	2846	2846
Price Category (Geiger) 10	+\$2890	3564	3275	3275
Price Category (Geiger) 11	+\$3238	3993	3669	3669
Price Category 14	+\$4242	5231	4808	4808

Tuxedo Component Lounge™ Settee *continued*

Price Category (Geiger) A	+\$256	315	290	290
Price Category (Geiger) C	+\$410	505	465	465
Price Category (Geiger) D	+\$541	668	613	613
Price Category (Geiger) E	+\$658	810	745	745
Price Category (Geiger) F	+\$788	973	894	894
Price Category (Geiger) G	+\$1075	1325	1218	1218
Price Category (Geiger) H	+\$1337	1648	1516	1516
Price Category (Geiger) I	+\$1616	1991	1831	1831
Price Category (Geiger) J	+\$1894	2334	2146	2146
Price Category (Geiger) K	+\$2172	2677	2461	2461
Price Category (Geiger) L	+\$2450	3020	2776	2776
Price Category (Geiger) M	+\$2728	3363	3092	3092
Price Category (Geiger) N	+\$3006	3706	3407	3407
Price Category (Geiger) O	+\$3284	4049	3722	3722
Price Category (Geiger) P	+\$3554	4383	4028	4028
Price Category (Geiger) Q	+\$4103	5060	4650	4650
Price Category (Geiger) R	+\$5717	7051	6479	6479
Price Category (Geiger) S	+\$6142	7575	6961	6961
Price Category (Geiger) V	+\$7416	9147	8405	8405
Price Category (Geiger) X	+\$8266	10195	9368	9368
Price Category (Geiger) Y	+\$8692	10719	9850	9850
Price Category (Geiger) COM A	+\$0	0	0	0
Price Category (Geiger) COL A	+\$540	666	612	612

For no arms (N) with quilted (Q)

Price Category (Geiger) 1				+\$302
Price Category 1				+\$0
Price Category (Geiger) 2				+\$364
Price Category 2				+\$364
Price Category (Geiger) 3				+\$457
Price Category 3				+\$457
Price Category (Geiger) 4				+\$557
Price Category 4				+\$557
Price Category (Geiger) 5				+\$812
Price Category 5				+\$812
Price Category (Geiger) 6				+\$1067
Price Category (Geiger) 7				+\$1322
Price Category (Geiger) 8				+\$2024
Price Category (Geiger) 9				+\$2512
Price Category 9				+\$3097
Price Category (Geiger) 10				+\$2890
Price Category (Geiger) 11				+\$3238
Price Category 14				+\$4242
Price Category (Geiger) A				+\$256
Price Category (Geiger) C				+\$410
Price Category (Geiger) D				+\$541
Price Category (Geiger) E				+\$658

Price Category (Geiger) F					+\$788
Price Category (Geiger) G					+\$1075
Price Category (Geiger) H					+\$1337
Price Category (Geiger) I					+\$1616
Price Category (Geiger) J					+\$1894
Price Category (Geiger) K					+\$2172
Price Category (Geiger) L					+\$2450
Price Category (Geiger) M					+\$2728
Price Category (Geiger) N					+\$3006
Price Category (Geiger) O					+\$3284
Price Category (Geiger) P					+\$3554
Price Category (Geiger) Q					+\$4103
Price Category (Geiger) R					+\$5717
Price Category (Geiger) S					+\$6142
Price Category (Geiger) V					+\$7416
Price Category (Geiger) COL A					+\$540
Price Category (Geiger) COM A					+\$0

For arms (A) with quilted (Q)

Price Category (Geiger) 1					+\$372
Price Category 1					+\$0
Price Category (Geiger) 2					+\$449
Price Category 2					+\$449
Price Category (Geiger) 3					+\$563
Price Category 3					+\$563
Price Category (Geiger) 4					+\$686
Price Category 4					+\$686
Price Category (Geiger) 5					+\$1001
Price Category 5					+\$1001
Price Category (Geiger) 6					+\$1316
Price Category (Geiger) 7					+\$1630
Price Category (Geiger) 8					+\$2497
Price Category (Geiger) 9					+\$3097
Price Category 9					+\$3097
Price Category (Geiger) 10					+\$3564
Price Category (Geiger) 11					+\$3993
Price Category 14					+\$5231
Price Category (Geiger) A					+\$315
Price Category (Geiger) C					+\$505
Price Category (Geiger) D					+\$668
Price Category (Geiger) E					+\$810
Price Category (Geiger) F					+\$973
Price Category (Geiger) G					+\$1325
Price Category (Geiger) H					+\$1648
Price Category (Geiger) I					+\$1991
Price Category (Geiger) J					+\$2334
Price Category (Geiger) K					+\$2677

Tuxedo Component Lounge™
Settee *continued*

Price Category (Geiger) L	+\$3020
Price Category (Geiger) M	+\$3363
Price Category (Geiger) N	+\$3706
Price Category (Geiger) O	+\$4049
Price Category (Geiger) P	+\$4383
Price Category (Geiger) Q	+\$5060
Price Category (Geiger) R	+\$7051
Price Category (Geiger) S	+\$7575
Price Category (Geiger) V	+\$9147
Price Category (Geiger) COM A	+\$0
Price Category (Geiger) COL A	+\$666

For arm left, armless right (AL) with quilted (Q)

Price Category (Geiger) 1	+\$342
Price Category 1	+\$0
Price Category (Geiger) 2	+\$412
Price Category 2	+\$412
Price Category (Geiger) 3	+\$518
Price Category 3	+\$518
Price Category (Geiger) 4	+\$631
Price Category 4	+\$631
Price Category (Geiger) 5	+\$920
Price Category 5	+\$920
Price Category (Geiger) 6	+\$1209
Price Category (Geiger) 7	+\$1498
Price Category (Geiger) 8	+\$2294
Price Category (Geiger) 9	+\$2846
Price Category 9	+\$2846
Price Category (Geiger) 10	+\$3275
Price Category (Geiger) 11	+\$3669
Price Category 14	+\$4808
Price Category (Geiger) A	+\$290
Price Category (Geiger) C	+\$465
Price Category (Geiger) D	+\$613
Price Category (Geiger) E	+\$745
Price Category (Geiger) F	+\$894
Price Category (Geiger) G	+\$1218
Price Category (Geiger) H	+\$1516
Price Category (Geiger) I	+\$1831
Price Category (Geiger) J	+\$2146
Price Category (Geiger) K	+\$2461
Price Category (Geiger) L	+\$2776
Price Category (Geiger) M	+\$3092
Price Category (Geiger) N	+\$3407
Price Category (Geiger) O	+\$3722
Price Category (Geiger) P	+\$4028
Price Category (Geiger) Q	+\$4650

Price Category (Geiger) R	+\$6479
Price Category (Geiger) S	+\$6961
Price Category (Geiger) V	+\$8405
Price Category (Geiger) COM A	+\$0
Price Category (Geiger) COL A	+\$612

For arm right, armless left (AR) with quilted (Q)

Price Category (Geiger) 1	+\$342
Price Category 1	+\$0
Price Category (Geiger) 2	+\$412
Price Category 2	+\$412
Price Category (Geiger) 3	+\$518
Price Category 3	+\$518
Price Category (Geiger) 4	+\$631
Price Category 4	+\$631
Price Category (Geiger) 5	+\$920
Price Category 5	+\$920
Price Category (Geiger) 6	+\$1209
Price Category (Geiger) 7	+\$1498
Price Category (Geiger) 8	+\$2294
Price Category (Geiger) 9	+\$2846
Price Category 9	+\$2846
Price Category (Geiger) 10	+\$3275
Price Category (Geiger) 11	+\$3669
Price Category 14	+\$4808
Price Category (Geiger) A	+\$290
Price Category (Geiger) C	+\$465
Price Category (Geiger) D	+\$613
Price Category (Geiger) E	+\$745
Price Category (Geiger) F	+\$894
Price Category (Geiger) G	+\$1218
Price Category (Geiger) H	+\$1516
Price Category (Geiger) I	+\$1831
Price Category (Geiger) J	+\$2146
Price Category (Geiger) K	+\$2461
Price Category (Geiger) L	+\$2776
Price Category (Geiger) M	+\$3092
Price Category (Geiger) N	+\$3407
Price Category (Geiger) O	+\$3722
Price Category (Geiger) P	+\$4028
Price Category (Geiger) Q	+\$4650
Price Category (Geiger) R	+\$6479
Price Category (Geiger) S	+\$6961
Price Category (Geiger) V	+\$8405
Price Category (Geiger) COM A	+\$0
Price Category (Geiger) COL A	+\$612

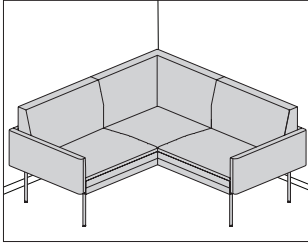
Tuxedo Component Lounge™
 Settee *continued*

Step 5. Base Finish		
926	black <input type="checkbox"/>	+\$0
AS	arctic silver <input type="checkbox"/>	+\$0
WHT	white <input type="checkbox"/>	+\$0
BNZ	bronze <input type="checkbox"/>	+\$671
CHR	chrome <input type="checkbox"/>	+\$671
SAC	satin chrome <input type="checkbox"/>	+\$671

Step 6. Fire Retardancy			N	A	AL	AR
NOCAL	not fire retardant <input type="checkbox"/>		+\$0	0	0	0
133	fire retardant <input type="checkbox"/>		+\$488	602	553	553

Tuxedo Component Lounge™
Settee Corner

ST2CL
ST2CR



Product Information

Description

This corner settee has a foam and Dacron® seat with a painted or plated steel base.

Notes

Customer's Own Material (COM)/Customer's Own Leather (COL) requires the following:

Type—COM—COL

ST2CLNN/ST2CRNN—9¼ yards—166½ square feet

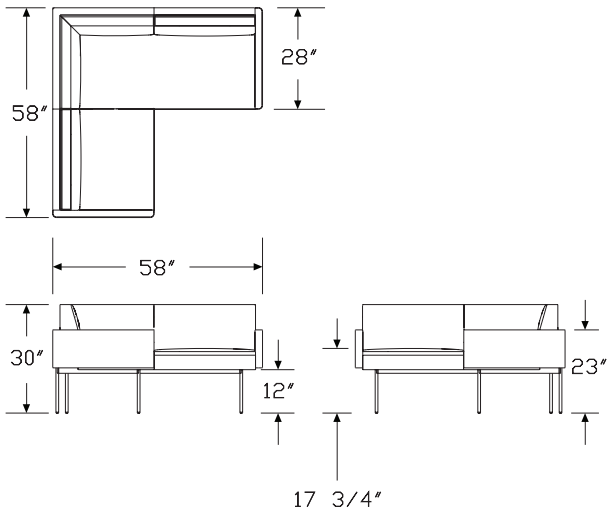
ST2CLNQ/ST2CRNQ—9¼ yards—166½ square feet

ST2CLAN/ST2CRAN—10¼ yards—184½ square feet

ST2CLAQ/ST2CRAQ—10¼ yards—184½ square feet

See Order Information in Appendices for more information.

Dimensions



Specification Information

Step 1.

ST2C [A]

Step 2. Corner

L corner left [A]

R corner right [A]

Step 3. Arms

N no arms [A]

A arms [A]

Step 4. Upholstery Type

N not quilted [A]

Q quilted [A]

Prices for Steps 1-4.

		N	Q
ST2CL	N	\$4515	4595
	A	\$4710	4915
ST2CR	N	\$4515	4595
	A	\$4710	4915

Step 5. Upholstery

For no arms (N) with not quilted (N)

Price Category (Geiger) 1	+\$302
Price Category 1	+\$0
Price Category (Geiger) 2	+\$364
Price Category 2	+\$364
Price Category (Geiger) 3	+\$457
Price Category 3	+\$457
Price Category (Geiger) 4	+\$557
Price Category 4	+\$557
Price Category (Geiger) 5	+\$812
Price Category 5	+\$812
Price Category (Geiger) 6	+\$1067
Price Category (Geiger) 7	+\$1322
Price Category (Geiger) 8	+\$2024
Price Category (Geiger) 9	+\$2512
Price Category 9	+\$2512
Price Category (Geiger) 10	+\$2890
Price Category (Geiger) 11	+\$3238
Price Category 14	+\$4242
Price Category (Geiger) A	+\$256
Price Category (Geiger) C	+\$410

Tuxedo Component Lounge™
Settee Corner *continued*

Price Category (Geiger) D	+\$541
Price Category (Geiger) E	+\$658
Price Category (Geiger) F	+\$788
Price Category (Geiger) G	+\$1075
Price Category (Geiger) H	+\$1337
Price Category H	+\$1298
Price Category (Geiger) I	+\$1616
Price Category (Geiger) J	+\$1894
Price Category (Geiger) K	+\$2172
Price Category (Geiger) L	+\$2450
Price Category (Geiger) M	+\$2728
Price Category (Geiger) N	+\$3006
Price Category (Geiger) O	+\$3284
Price Category (Geiger) P	+\$3554
Price Category (Geiger) Q	+\$4103
Price Category (Geiger) R	+\$5717
Price Category (Geiger) S	+\$6142
Price Category (Geiger) V	+\$7416
Price Category (Geiger) X	+\$8266
Price Category (Geiger) Y	+\$8692
Price Category (Geiger) COM A	+\$0
Price Category (Geiger) COL A	+\$540

For quilted (Q)

	N	A
Price Category (Geiger) 1	+\$302	372
Price Category 1	+\$0	0
Price Category (Geiger) 2	+\$364	449
Price Category 2	+\$364	449
Price Category (Geiger) 3	+\$457	563
Price Category 3	+\$457	563
Price Category (Geiger) 4	+\$557	686
Price Category 4	+\$557	686
Price Category (Geiger) 5	+\$812	1001
Price Category 5	+\$812	1001
Price Category (Geiger) 7	+\$1322	1630
Price Category (Geiger) 8	+\$2024	2497
Price Category (Geiger) 9	+\$2512	3097
Price Category 9	+\$2512	3097
Price Category (Geiger) 10	+\$2890	3564
Price Category (Geiger) 11	+\$3238	3993
Price Category 14	+\$4242	5231
Price Category (Geiger) A	+\$256	315
Price Category (Geiger) C	+\$410	505
Price Category (Geiger) D	+\$541	668
Price Category (Geiger) E	+\$658	810
Price Category (Geiger) F	+\$788	973

Price Category (Geiger) G	+\$1075	1325
Price Category (Geiger) H	+\$1337	1648
Price Category H	+\$1298	1600
Price Category (Geiger) I	+\$1616	1991
Price Category (Geiger) J	+\$1894	2334
Price Category (Geiger) K	+\$2172	2677
Price Category (Geiger) L	+\$2450	3020
Price Category (Geiger) M	+\$2728	3363
Price Category (Geiger) N	+\$3006	3706
Price Category (Geiger) O	+\$3284	4049
Price Category (Geiger) P	+\$3554	4383
Price Category (Geiger) Q	+\$4103	5060
Price Category (Geiger) R	+\$5717	7051
Price Category (Geiger) S	+\$6142	7575
Price Category (Geiger) V	+\$7416	9147
Price Category (Geiger) COM A	+\$0	0
Price Category (Geiger) COL A	+\$540	666

For arms (A) with not quilted (N)

Price Category (Geiger) 1	+\$372
Price Category 1	+\$0
Price Category (Geiger) 2	+\$449
Price Category 2	+\$449
Price Category (Geiger) 3	+\$563
Price Category 3	+\$563
Price Category (Geiger) 4	+\$686
Price Category 4	+\$686
Price Category (Geiger) 5	+\$1001
Price Category 5	+\$1001
Price Category (Geiger) 6	+\$1316
Price Category (Geiger) 7	+\$1630
Price Category (Geiger) 8	+\$2497
Price Category (Geiger) 9	+\$3097
Price Category 9	+\$3097
Price Category (Geiger) 10	+\$3564
Price Category (Geiger) 11	+\$3993
Price Category 14	+\$5231
Price Category (Geiger) A	+\$315
Price Category (Geiger) C	+\$505
Price Category (Geiger) D	+\$668
Price Category (Geiger) E	+\$810
Price Category (Geiger) F	+\$973
Price Category (Geiger) G	+\$1325
Price Category H	+\$1600
Price Category (Geiger) H	+\$1648
Price Category (Geiger) I	+\$1991
Price Category (Geiger) J	+\$2334

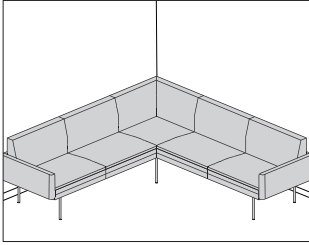
Tuxedo Component Lounge™
Settee Corner *continued*

Price Category (Geiger) K	+\$2677
Price Category (Geiger) L	+\$3020
Price Category (Geiger) M	+\$3363
Price Category (Geiger) N	+\$3706
Price Category (Geiger) O	+\$4049
Price Category (Geiger) P	+\$4383
Price Category (Geiger) Q	+\$5060
Price Category (Geiger) R	+\$7051
Price Category (Geiger) S	+\$7575
Price Category (Geiger) V	+\$9147
Price Category (Geiger) X	+\$10195
Price Category (Geiger) Y	+\$10719
Price Category (Geiger) COM <input type="checkbox"/> A	+\$0
Price Category (Geiger) COL <input type="checkbox"/> A	+\$666

Step 6. Base Finish		
926 black <input type="checkbox"/> A		+\$0
AS arctic silver <input type="checkbox"/> A		+\$0
WHT white <input type="checkbox"/> A		+\$0
BNZ bronze <input type="checkbox"/> A		+\$671
CHR chrome <input type="checkbox"/> A		+\$671
SAC satin chrome <input type="checkbox"/> A		+\$671

Step 7. Fire Retardancy			
		N	A
NOCAL not fire retardant <input type="checkbox"/> A		+\$0	0
133 fire retardant <input type="checkbox"/> A		+\$602	488

Tuxedo Component Lounge™ Sofa ST3CL
 Corner ST3CR



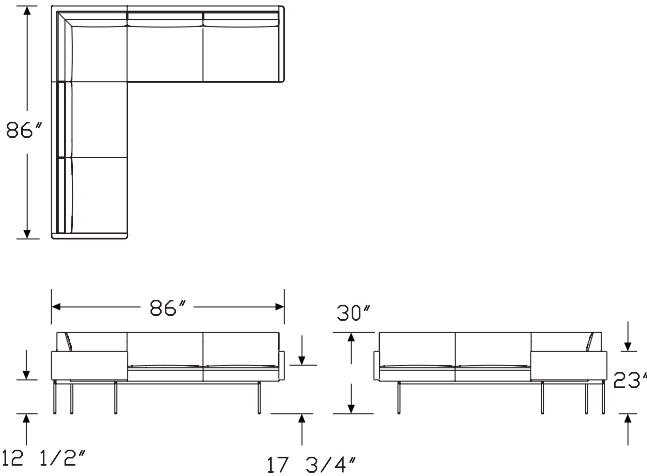
Product Information

Description
 This corner sofa has a foam and Dacron® seat with a painted or plated steel base.

Notes

Customer's Own Material (COM)/Customer's Own Leather (COL) requires the following:
 Type—COM—COL
 ST3CLNN/ST3CRNN—13 yards—234 square feet
 ST3CLNQ/ST3CRNQ—13 yards—234 square feet
 ST3CLAN/ST3CRAN—14 yards—252 square feet
 ST3CLAQ/ST3CRAQ—14 yards—252 square feet
 See Order Information in Appendices for more information.

Dimensions



HermanMiller Collection—Sofas

Specification Information

Step 1.

ST3C A

Step 2. Corner

L corner left A
R corner right A

Step 3. Arms

N no arms A
A arms A

Step 4. Upholstery Type

N not quilted A
Q quilted A

Prices for Steps 1-4.

		N	Q
ST3CL	N	\$5980	6055
	A	\$6195	6370
ST3CR	N	\$5980	6055
	A	\$6195	6370

Step 5. Upholstery

For not quilted (N)

	N	A
Price Category (Geiger) 1	+\$523	563
Price Category 1	+\$0	0
Price Category (Geiger) 2	+\$630	678
Price Category 2	+\$630	678
Price Category (Geiger) 3	+\$791	851
Price Category 3	+\$791	851
Price Category (Geiger) 4	+\$965	1039
Price Category 4	+\$965	1039
Price Category (Geiger) 5	+\$1406	1515
Price Category 5	+\$1406	1515
Price Category (Geiger) 6	+\$1848	1990
Price Category (Geiger) 7	+\$2290	2466
Price Category (Geiger) 8	+\$3509	3779
Price Category (Geiger) 9	+\$4352	4687
Price Category 9	+\$4352	4687
Price Category (Geiger) 10	+\$5008	5394
Price Category (Geiger) 11	+\$5611	6042
Price Category 14	+\$7352	7917
Price Category (Geiger) A	+\$442	476

Tuxedo Component Lounge™ Sofa

Corner *continued*

Price Category (Geiger) C	+\$710	765
Price Category (Geiger) D	+\$938	1010
Price Category (Geiger) E	+\$1139	1226
Price Category (Geiger) F	+\$1366	1471
Price Category (Geiger) G	+\$1862	2005
Price Category (Geiger) H	+\$2317	2495
Price Category H	+\$2249	2422
Price Category (Geiger) I	+\$2799	3014
Price Category (Geiger) J	+\$3281	3533
Price Category (Geiger) K	+\$3763	4053
Price Category (Geiger) L	+\$4245	4572
Price Category (Geiger) M	+\$4727	5091
Price Category (Geiger) N	+\$5209	5610
Price Category (Geiger) O	+\$5691	6129
Price Category (Geiger) P	+\$6160	6634
Price Category (Geiger) Q	+\$7111	7658
Price Category (Geiger) R	+\$9909	10671
Price Category (Geiger) S	+\$10646	11464
Price Category (Geiger) V	+\$12855	13844
Price Category (Geiger) X	+\$14328	15430
Price Category (Geiger) Y	+\$15064	16223
Price Category (Geiger) COM <input type="checkbox"/>	+\$0	0
Price Category (Geiger) COL <input type="checkbox"/>	+\$936	1008

For quilted (Q)

	N	A
Price Category (Geiger) 1	+\$523	563
Price Category 1	+\$0	0
Price Category (Geiger) 2	+\$630	678
Price Category 2	+\$630	678
Price Category (Geiger) 3	+\$791	851
Price Category 3	+\$791	851
Price Category (Geiger) 4	+\$965	1039
Price Category 4	+\$965	1039
Price Category (Geiger) 5	+\$1406	1515
Price Category 5	+\$1406	1515
Price Category (Geiger) 7	+\$2290	2466
Price Category (Geiger) 8	+\$3509	3779
Price Category (Geiger) 9	+\$4352	4687
Price Category 9	+\$4352	4687
Price Category (Geiger) 10	+\$5008	5394
Price Category (Geiger) 11	+\$5611	6042
Price Category 14	+\$7352	7917
Price Category (Geiger) A	+\$442	476
Price Category (Geiger) C	+\$710	765
Price Category (Geiger) D	+\$938	1010
Price Category (Geiger) E	+\$1139	1226

Price Category (Geiger) F	+\$1366	1471
Price Category (Geiger) G	+\$1862	2005
Price Category (Geiger) H	+\$2317	2495
Price Category H	+\$2249	2422
Price Category (Geiger) I	+\$2799	3014
Price Category (Geiger) J	+\$3281	3533
Price Category (Geiger) K	+\$3763	4053
Price Category (Geiger) L	+\$4245	4572
Price Category (Geiger) M	+\$4727	5091
Price Category (Geiger) N	+\$5209	5610
Price Category (Geiger) O	+\$5691	6129
Price Category (Geiger) P	+\$6160	6634
Price Category (Geiger) Q	+\$7111	7658
Price Category (Geiger) R	+\$9909	10671
Price Category (Geiger) S	+\$10646	11464
Price Category (Geiger) V	+\$12855	13844
Price Category (Geiger) COM <input type="checkbox"/>	+\$0	0
Price Category (Geiger) COL <input type="checkbox"/>	+\$936	1008

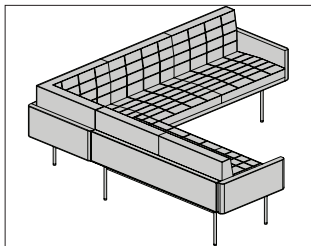
Step 6. Base Finish

926 black <input type="checkbox"/>	+\$0
AS arctic silver <input type="checkbox"/>	+\$0
WHT white <input type="checkbox"/>	+\$0
BNZ bronze <input type="checkbox"/>	+\$671
CHR chrome <input type="checkbox"/>	+\$671
SAC satin chrome <input type="checkbox"/>	+\$671

Step 7. Fire Retardancy

	N	A
NOCAL not fire retardant <input type="checkbox"/>	+\$0	0
133 fire retardant <input type="checkbox"/>	+\$910	845

Tuxedo Component Lounge™ ST2MN
 Corner Sofa with Attached Settee ST2MQ

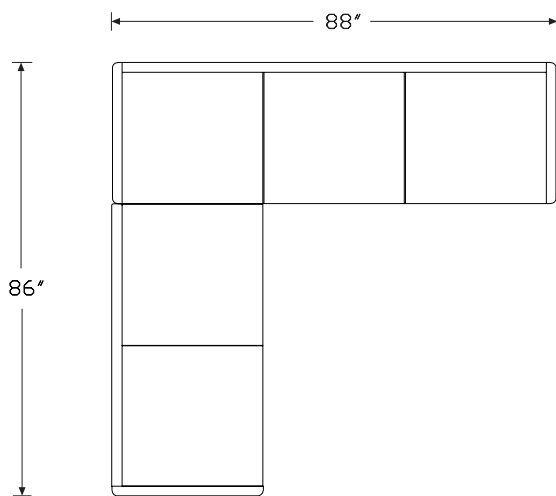
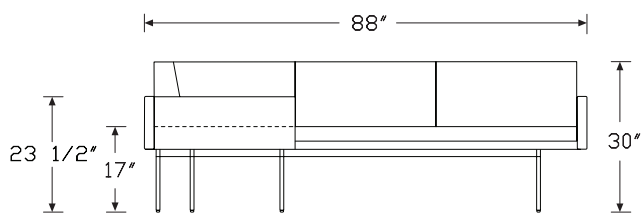


Product Information

Description
 This corner sofa with attached settee has a foam and Dacron® seat with a painted or plated steel base.

Notes
 COM/COL requires 25 1/4 yards/450 square feet.

Dimensions



Shown above - Corner sofa left, settee right (R)

Specification Information

Step 1.

ST2M A

Step 2. Upholstery Type

N- not quilted A

Q- quilted A

Step 3. Settee Position

L corner sofa right, settee left A

R corner sofa left, settee right A

Prices for Steps 1-3.

ST2MN- L	\$10245
R	\$10245

ST2MQ- L	\$10550
R	\$10550

Step 4. Upholstery

For not quilted (N-)

Price Category (Geiger) 1	+\$0
Price Category 1	+\$0
Price Category (Geiger) 2	+\$0
Price Category 2	+\$0
Price Category (Geiger) 3	+\$1368
Price Category 3	+\$1368
Price Category (Geiger) 4	+\$1669
Price Category 4	+\$1669
Price Category (Geiger) 5	+\$2434
Price Category 5	+\$2434
Price Category (Geiger) 6	+\$3199
Price Category (Geiger) 7	+\$3964
Price Category (Geiger) 8	+\$6072
Price Category (Geiger) 9	+\$7533
Price Category 9	+\$7533
Price Category (Geiger) 10	+\$8668
Price Category (Geiger) 11	+\$9711
Price Category (Geiger) 14	+\$12724
Price Category (Geiger) A	+\$1276
Price Category (Geiger) C	+\$1507
Price Category (Geiger) D	+\$1739
Price Category (Geiger) E	+\$1971
Price Category (Geiger) F	+\$2203
Price Category (Geiger) G	+\$2434
Price Category (Geiger) H	+\$2666

Tuxedo Component Lounge™ Corner Sofa with Attached Settee

continued

Price Category (Geiger) I	+\$4845
Price Category (Geiger) J	+\$3013
Price Category (Geiger) K	+\$3361
Price Category (Geiger) L	+\$3708
Price Category (Geiger) M	+\$4172
Price Category (Geiger) N	+\$4635
Price Category (Geiger) O	+\$9850
Price Category (Geiger) P	+\$5099
Price Category (Geiger) Q	+\$10429
Price Category (Geiger) R	+\$17150
Price Category (Geiger) S	+\$18425
Price Category (Geiger) V	+\$22248
Price Category (Geiger) X	+\$24798
Price Category (Geiger) Y	+\$26073
Price Category (Geiger) COM <input type="checkbox"/>	+\$0
Price Category (Geiger) COL <input type="checkbox"/>	+\$2025

For quilted (Q-)

Price Category (Geiger) 1	+\$0
Price Category 1	+\$0
Price Category (Geiger) 2	+\$0
Price Category 2	+\$0
Price Category (Geiger) 3	+\$1368
Price Category 3	+\$1368
Price Category (Geiger) 4	+\$1669
Price Category 4	+\$1669
Price Category (Geiger) 5	+\$2434
Price Category 5	+\$2434
Price Category (Geiger) 6	+\$3199
Price Category (Geiger) 7	+\$3964
Price Category (Geiger) 8	+\$6072
Price Category (Geiger) 9	+\$7533
Price Category 9	+\$7533
Price Category (Geiger) 10	+\$8668
Price Category (Geiger) 11	+\$9711
Price Category (Geiger) 14	+\$12724
Price Category (Geiger) A	+\$1276
Price Category (Geiger) C	+\$1507
Price Category (Geiger) D	+\$1739
Price Category (Geiger) E	+\$1971
Price Category (Geiger) F	+\$2203
Price Category (Geiger) G	+\$2434
Price Category (Geiger) H	+\$2666
Price Category (Geiger) I	+\$4845
Price Category (Geiger) J	+\$3013
Price Category (Geiger) K	+\$3361
Price Category (Geiger) L	+\$3708

Price Category (Geiger) M	+\$4172
Price Category (Geiger) N	+\$4635
Price Category (Geiger) O	+\$9850
Price Category (Geiger) P	+\$5099
Price Category (Geiger) Q	+\$10429
Price Category (Geiger) R	+\$17150
Price Category (Geiger) S	+\$18425
Price Category (Geiger) V	+\$22248
Price Category (Geiger) COM <input type="checkbox"/>	+\$0
Price Category (Geiger) COL <input type="checkbox"/>	+\$2025

Step 5. Base Finish

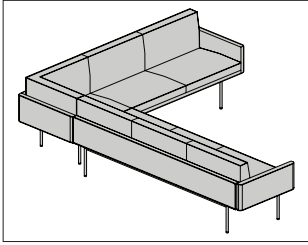
926 black <input type="checkbox"/>	+\$0
AS arctic silver <input type="checkbox"/>	+\$0
WHT white <input type="checkbox"/>	+\$0
BNZ bronze <input type="checkbox"/>	+\$1342
CHR chrome <input type="checkbox"/>	+\$1342
SAC satin chrome <input type="checkbox"/>	+\$1342

Step 6. Fire Retardancy

NOCAL not fire retardant <input type="checkbox"/>	+\$0
133 fire retardant <input type="checkbox"/>	+\$1463

Tuxedo Component Lounge™
Corner Sofa with Attached Sofa

ST3MN
ST3MQ



Product Information

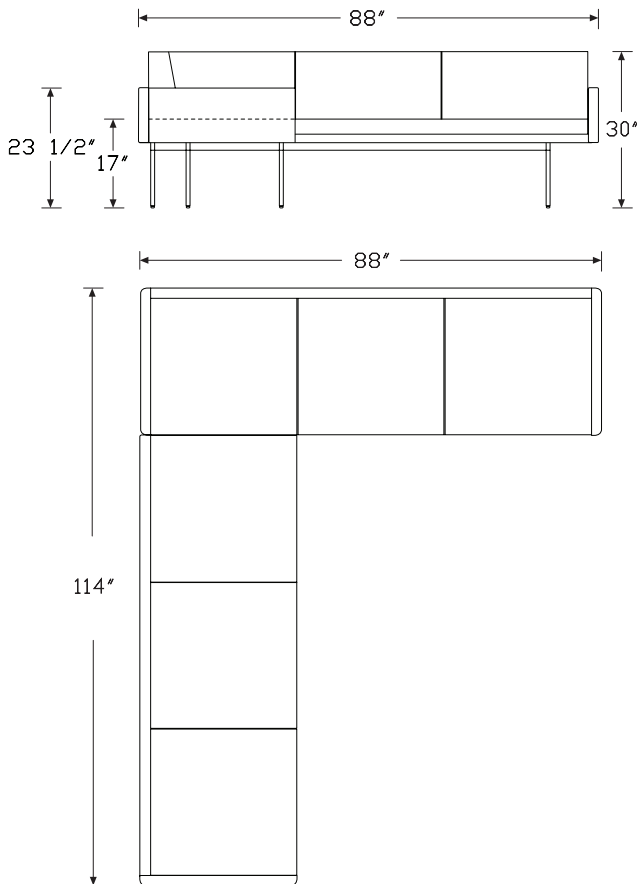
Description

This corner sofa with attached sofa has a foam and Dacron® seat with a painted or plated steel base.

Notes

COM/COL requires 28½ yards/513 square feet.

Dimensions



Shown above - Corner sofa left,
sofa right (R)

HermanMiller Collection—Sofas

Specification Information

Step 1.

ST3M A

Step 2. Upholstery Type

N- not quilted A

Q- quilted A

Step 3. Sofa Position

L corner sofa right, sofa left A

R corner sofa left, sofa right A

Prices for Steps 1-3.

ST3MN- L	\$11795
R	\$11795

ST3MQ- L	\$12145
R	\$12145

Step 4. Upholstery

For quilted (Q-)

Price Category (Geiger) 1	+\$0
Price Category 1	+\$0
Price Category (Geiger) 2	+\$0
Price Category 2	+\$0
Price Category (Geiger) 3	+\$1581
Price Category 3	+\$1581
Price Category (Geiger) 4	+\$1929
Price Category 4	+\$1929
Price Category (Geiger) 5	+\$2812
Price Category 5	+\$2812
Price Category (Geiger) 6	+\$3696
Price Category (Geiger) 7	+\$4580
Price Category (Geiger) 8	+\$7017
Price Category (Geiger) 9	+\$8704
Price Category 9	+\$8704
Price Category (Geiger) 10	+\$10016
Price Category (Geiger) 11	+\$11221
Price Category (Geiger) 14	+\$14675
Price Category (Geiger) A	+\$1473
Price Category (Geiger) C	+\$1741
Price Category (Geiger) D	+\$2009
Price Category (Geiger) E	+\$2277
Price Category (Geiger) F	+\$2545
Price Category (Geiger) G	+\$2812
Price Category (Geiger) H	+\$3080

Tuxedo Component Lounge™ Corner Sofa with Attached Sofa

continued

Price Category (Geiger) I	+\$5598
Price Category (Geiger) J	+\$3482
Price Category (Geiger) K	+\$3884
Price Category (Geiger) L	+\$4285
Price Category (Geiger) M	+\$4821
Price Category (Geiger) N	+\$5356
Price Category (Geiger) O	+\$11382
Price Category (Geiger) P	+\$5892
Price Category (Geiger) Q	+\$12051
Price Category (Geiger) R	+\$19818
Price Category (Geiger) S	+\$21496
Price Category (Geiger) V	+\$25709
Price Category (Geiger) COM <input type="checkbox"/>	+\$0
Price Category (Geiger) COL <input type="checkbox"/>	+\$2340

For not quilted (N-)

Price Category (Geiger) 1	+\$0
Price Category 1	+\$0
Price Category (Geiger) 2	+\$0
Price Category 2	+\$0
Price Category (Geiger) 3	+\$1581
Price Category 3	+\$1581
Price Category (Geiger) 4	+\$1929
Price Category 4	+\$1929
Price Category (Geiger) 5	+\$2812
Price Category 5	+\$2812
Price Category (Geiger) 6	+\$3696
Price Category (Geiger) 7	+\$4580
Price Category (Geiger) 8	+\$7017
Price Category (Geiger) 9	+\$8704
Price Category 9	+\$8704
Price Category (Geiger) 10	+\$10016
Price Category (Geiger) 11	+\$11221
Price Category (Geiger) 14	+\$14675
Price Category (Geiger) A	+\$1473
Price Category (Geiger) C	+\$1741
Price Category (Geiger) D	+\$2009
Price Category (Geiger) E	+\$2277
Price Category (Geiger) F	+\$2545
Price Category (Geiger) G	+\$2812
Price Category (Geiger) H	+\$3080
Price Category (Geiger) I	+\$5598
Price Category (Geiger) J	+\$3482
Price Category (Geiger) K	+\$3884
Price Category (Geiger) L	+\$4285
Price Category (Geiger) M	+\$4821
Price Category (Geiger) N	+\$5356

Price Category (Geiger) O	+\$11382
Price Category (Geiger) P	+\$5892
Price Category (Geiger) Q	+\$12051
Price Category (Geiger) R	+\$19818
Price Category (Geiger) S	+\$21496
Price Category (Geiger) V	+\$25709
Price Category (Geiger) X	+\$28931
Price Category (Geiger) Y	+\$30417
Price Category (Geiger) COM <input type="checkbox"/>	+\$0
Price Category (Geiger) COL <input type="checkbox"/>	+\$2340

Step 5. Base Finish

926 black <input type="checkbox"/>	+\$0
AS arctic silver <input type="checkbox"/>	+\$0
WHT white <input type="checkbox"/>	+\$0
BNZ bronze <input type="checkbox"/>	+\$1342
CHR chrome <input type="checkbox"/>	+\$1342
SAC satin chrome <input type="checkbox"/>	+\$1342

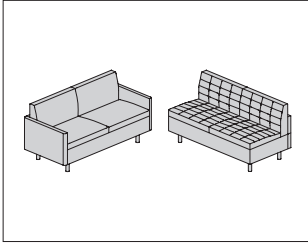
Step 6. Fire Retardancy

NOCAL not fire retardant <input type="checkbox"/>	+\$0
133 fire retardant <input type="checkbox"/>	+\$1690

HermanMiller Collection—Sofas

Tuxedo Classic Settee

SZ2AB
SZ2AL
SZ2AN
SZ2AR



Product Information

Description

This settee has solid wood legs with cushions made of polyfoam and DACRON®. Cushions are quilted or not quilted. The settee is available without arms, or with arms on either the left or right side, or on both sides. Fire retardant settee meets CAL 133 requirements.

Notes

For arm on right (AR) configuration, settee connects to adjacent seat on the left.

For arm on left (AL) configuration, settee connects to adjacent seat on the right.

For arms on left and right (AB), settee connects to adjacent seat on left and right.

Handedness is determined from a seated position.

Customer's Own Material (COM)/Customer's Own Leather (COL) requires the following:

Type—COM—COL

SZ2ANN—8 yards—144 square feet

SZ2ANQ—8 yards—144 square feet

SZ2ABN—10¹/₂ yards—189 square feet

SZ2ABQ—10¹/₂ yards—189 square feet

SZ2ALN—9¹/₄ yards—166¹/₂ square feet

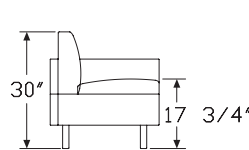
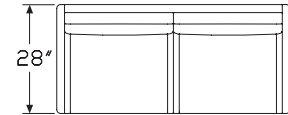
SZ2ALQ—9¹/₄ yards—166¹/₂ square feet

SZ2ARN—9¹/₄ yards—166¹/₂ square feet

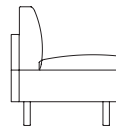
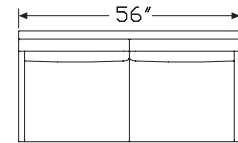
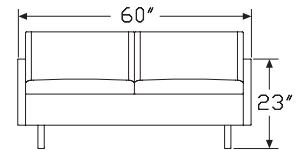
SZ2ARQ—9¹/₄ yards—166¹/₂ square feet

See Order Information in Appendices for more information.

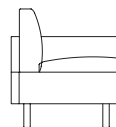
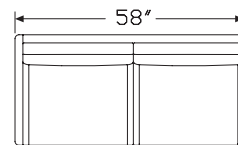
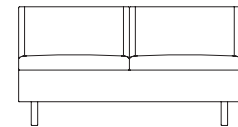
Dimensions



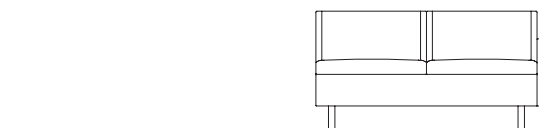
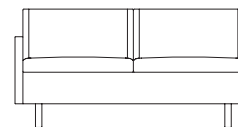
Settee



Connecting Settee - Armless



Connecting Settee - Arm Right



Connecting Settee - Arm Left

Tuxedo Classic Settee *continued*

Specification Information

Step 1.

SZ2 A

Step 2. Arms

- AN** armless A
- AB** arms on left and right A
- AL** arm on left A
- AR** arm on right A

Step 3. Upholstery Type

- N** not quilted A
- Q** quilted A

Prices for Steps 1-3.

SZ2AN N	\$3315
Q	\$3585
SZ2AB N	\$4070
Q	\$4335
SZ2AL N	\$3695
Q	\$3960
SZ2AR N	\$3695
Q	\$3960

Step 4. Fabric

For not quilted (N)

	AN	AB	AL	AR
Price Category (Geiger) COM A	+\$0	0	0	0
Price Category (Geiger) COL A	+\$576	756	666	666
Price Category 1	+\$0	0	0	0
Price Category (Geiger) 2	+\$388	509	449	449
Price Category 2	+\$388	509	449	449
Price Category (Geiger) 3	+\$487	639	563	563
Price Category 3	+\$487	639	563	563
Price Category (Geiger) 4	+\$594	779	686	686
Price Category (Geiger) 5	+\$866	1137	1001	1001
Price Category 5	+\$866	1137	1001	1001
Price Category (Geiger) 6	+\$1138	1493	1316	1316
Price Category (Geiger) 7	+\$1410	1850	1630	1630
Price Category (Geiger) 8	+\$2159	2834	2497	2497
Price Category (Geiger) 9	+\$2678	3516	3097	3097
Price Category 9	+\$2678	3516	3097	3097
Price Category (Geiger) 10	+\$3082	4045	3564	3564
Price Category 11	+\$3453	4532	3993	3993
Price Category 14	+\$0	0	0	0
Price Category (Geiger) D	+\$577	758	668	668
Price Category (Geiger) G	+\$1146	1504	1325	1325
Price Category (Geiger) H	+\$1426	1872	1648	1648
Price Category (Geiger) I	+\$1723	2261	1991	1991
Price Category (Geiger) K	+\$2316	3040	2677	2677
Price Category (Geiger) L	+\$2613	3429	3020	3020
Price Category (Geiger) M	+\$2909	3819	3363	3363
Price Category (Geiger) R	+\$6098	8004	7051	7051

Tuxedo Classic Settee *continued*

For armless (AN) with quilted (Q)

Price Category (Geiger) D	+\$577
Price Category (Geiger) COM A	+\$0
Price Category (Geiger) COL A	+\$576
Price Category 1	+\$0
Price Category (Geiger) 2	+\$388
Price Category 2	+\$388
Price Category (Geiger) 3	+\$487
Price Category 3	+\$487
Price Category (Geiger) 4	+\$594
Price Category (Geiger) 5	+\$866
Price Category 5	+\$866
Price Category (Geiger) 6	+\$1138
Price Category (Geiger) 7	+\$1410
Price Category (Geiger) 8	+\$2159
Price Category 9	+\$2678
Price Category (Geiger) 10	+\$3082
Price Category 11	+\$3453
Price Category 14	+\$0
Price Category (Geiger) G	+\$1146
Price Category (Geiger) H	+\$1426
Price Category (Geiger) I	+\$1723
Price Category (Geiger) K	+\$2316
Price Category (Geiger) L	+\$2613
Price Category (Geiger) M	+\$2909
Price Category (Geiger) R	+\$6098

For arms on left and right (AB) with quilted (Q)

Price Category (Geiger) COM A	+\$0
Price Category (Geiger) COL A	+\$756
Price Category 1	+\$0
Price Category (Geiger) 2	+\$509
Price Category 2	+\$509
Price Category (Geiger) 3	+\$639
Price Category 3	+\$639
Price Category (Geiger) 4	+\$779
Price Category (Geiger) 5	+\$1137
Price Category 5	+\$1137
Price Category (Geiger) 6	+\$1493
Price Category (Geiger) 7	+\$1850
Price Category (Geiger) 8	+\$2834
Price Category 9	+\$3516
Price Category (Geiger) 10	+\$4045
Price Category 11	+\$4532
Price Category 14	+\$0
Price Category (Geiger) D	+\$758
Price Category (Geiger) G	+\$1504
Price Category (Geiger) H	+\$1872
Price Category (Geiger) I	+\$2261
Price Category (Geiger) K	+\$3040
Price Category (Geiger) L	+\$3429
Price Category (Geiger) M	+\$3819
Price Category (Geiger) R	+\$8004

Tuxedo Classic Settee *continued*

For arm on left (AL) or arm on right (AR) with quilted (Q)

Price Category (Geiger) COM A	+\$0
Price Category (Geiger) COL A	+\$666
Price Category 1	+\$0
Price Category (Geiger) 2	+\$449
Price Category 2	+\$449
Price Category (Geiger) 3	+\$563
Price Category 3	+\$563
Price Category (Geiger) 4	+\$686
Price Category (Geiger) 5	+\$1001
Price Category 5	+\$1001
Price Category (Geiger) 6	+\$1316
Price Category (Geiger) 7	+\$1630
Price Category (Geiger) 8	+\$2497
Price Category 9	+\$3097
Price Category (Geiger) 10	+\$3564
Price Category 11	+\$3993
Price Category 14	+\$0
Price Category (Geiger) D	+\$668
Price Category (Geiger) G	+\$1325
Price Category (Geiger) H	+\$1648
Price Category (Geiger) I	+\$1991
Price Category (Geiger) K	+\$2677
Price Category (Geiger) L	+\$3020
Price Category (Geiger) M	+\$3363
Price Category (Geiger) R	+\$7051

Step 5. Base Finish

Matte Finishes

662 toasted walnut, matte sheen A	+\$0
663 charred walnut, matte sheen A	+\$0
664 bronzed walnut, matte sheen A	+\$0
665 smoked walnut, matte sheen A	+\$0
666 coffee walnut, matte sheen A	+\$0
667 smoked paldao, quarter cut, matte sheen A	+\$0
669 warm paldao, quarter cut, matte sheen A	+\$0
66A recograin frosty ash A	+\$0
677 chocolate ash, matte sheen A	+\$0
68R recograin rosewood A	+\$0
69A recograin frosty ash A	+\$0
69R recograin rosewood A	+\$0
69T recograin teak A	+\$0
6K1 rift oak A	+\$0
ET clear on ash A	+\$0
EU oak on ash A	+\$0
EV walnut on ash A	+\$0

GOU natural walnut, flat cut, matte sheen A	+\$0
6A1 white ash A	+\$0
6K6 burnt oak A	+\$0
932 sundance anigre A	+\$0
933 caramel anigre A	+\$0
934 henna anigre A	+\$0
940 sundance cherry on maple A	+\$0
962 toasted walnut, low sheen A	+\$0
963 charred walnut, low sheen A	+\$0
964 bronzed walnut, low sheen A	+\$0
965 smoked walnut, low sheen A	+\$0
966 coffee walnut, low sheen A	+\$0
967 smoked paldao, low sheen A	+\$0
969 warm paldao, low sheen A	+\$0
972 sundance walnut A	+\$0
977 chocolate ash, low sheen A	+\$0
98R recograin rosewood A	+\$0
991 champagne ash A	+\$0
99A recograin frosty ash A	+\$0
99R recograin rosewood A	+\$0
99T recograin teak A	+\$0
9A1 white ash, quarter cut, low sheen A	+\$0
9K1 rift oak, rift cut, low sheen A	+\$0
9K6 burnt oak, rift cut, low sheen A	+\$0
G2U light brown walnut, low sheen A	+\$0
G40 dark brown walnut, low sheen A	+\$0
UX walnut on cherry A	+\$0
943 caramel cherry A	+\$0
946 cocoa cherry A	+\$0
956 cocoa sapele A	+\$0
998 ebony ash A	+\$0
ED aged cherry A	+\$0
EK medium red walnut A	+\$0

RecoGrain Veneer

66G recograin wenge A	+\$0
68W recograin walnut, flat cut, matte sheen A	+\$0
69G recograin wenge A	+\$0
69W recograin walnut, quarter cut, matte sheen A	+\$0

Recon Veneer -

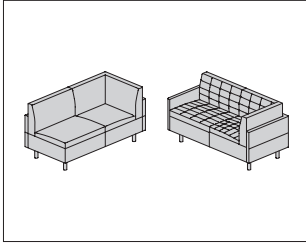
96G wenge recograin, quarter cut, low sheen A	+\$0
98W recograin walnut, flat cut, low sheen A	+\$0
99G recograin wenge, quarter cut, low sheen A	+\$0
99W recograin walnut, quarter cut, low sheen A	+\$0

Tuxedo Classic Settee *continued*

Step 6. Fire Retardancy		AN	AB	AL	AR
NOCAL	no cal-133 required <input type="checkbox"/>	+\$0	0	0	0
133	cal-133 required <input type="checkbox"/>	+\$520	683	601	601

Tuxedo Classic Corner Settee

SZ2CL
SZ2CR
SZ2ZL
SZ2ZR



Product Information

Description

This corner settee has solid wood legs with cushions made of polyfoam and DACRON®. Cushions are quilted or not quilted. The settee is available with the corner on the left or right side and with or without an arm on the opposite side. Fire retardant settee meets CAL 133 requirements.

Notes

Handedness is determined from a seated position.

Customer's Own Material (COM)/Customer's Own Leather (COL) requires the following:

Type—COM—COL

SZ2CRN—10½ yards—189 square feet

SZ2CRQ—10½ yards—189 square feet

SZ2CLN—10½ yards—189 square feet

SZ2CLQ—10½ yards—189 square feet

SZ2ZRN—11¾ yards—212 square feet

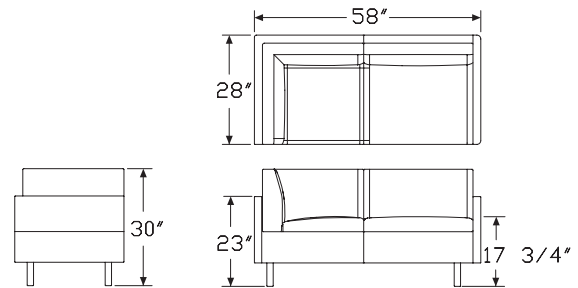
SZ2ZRQ—11¾ yards—212 square feet

SZ2ZLN—11¾ yards—212 square feet

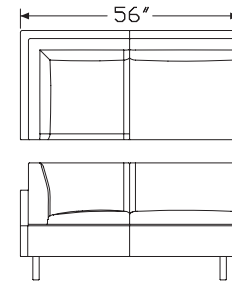
SZ2ZLQ—11¾ yards—212 square feet

See Order Information in Appendices for more information.

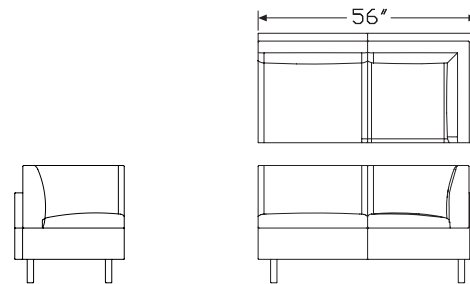
Dimensions



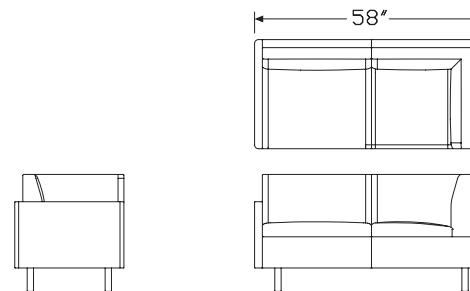
Corner Settee with Arm - Right



Corner Settee - Right



Corner Settee - Left



Corner Settee with Arm - Left

Tuxedo Classic Corner Settee

continued

Specification Information

Step 1.

SZ2 A

Step 2. Arms

CL corner left A

CR corner right A

ZL corner on left with arm on right A

ZR corner on right with arm on left A

Step 3. Upholstery Type

N not quilted A

Q quilted A

Prices for Steps 1-3.

SZ2CL	N	\$4180
	Q	\$4500
SZ2CR	N	\$4180
	Q	\$4500
SZ2ZL	N	\$4555
	Q	\$4875
SZ2ZR	N	\$4555
	Q	\$4875

Step 4. Fabric

For not quilted (N)

Price Category (Geiger) COM	<input type="checkbox"/> A	+\$0
Price Category (Geiger) COL	<input type="checkbox"/> A	+\$756
Price Category 1		+\$0
Price Category (Geiger) 2		+\$509
Price Category 2		+\$509
Price Category (Geiger) 3		+\$639
Price Category 3		+\$639
Price Category (Geiger) 4		+\$779
Price Category (Geiger) 5		+\$1137
Price Category 5		+\$1137
Price Category (Geiger) 6		+\$1493
Price Category (Geiger) 7		+\$1850
Price Category (Geiger) 8		+\$2834
Price Category (Geiger) 9		+\$3516
Price Category 9		+\$3516
Price Category (Geiger) 10		+\$4045
Price Category 11		+\$4532
Price Category 14		+\$0
Price Category (Geiger) D		+\$758
Price Category (Geiger) G		+\$1504
Price Category (Geiger) H		+\$1872
Price Category (Geiger) I		+\$2261
Price Category (Geiger) K		+\$3040
Price Category (Geiger) L		+\$3429
Price Category (Geiger) M		+\$3819
Price Category (Geiger) R		+\$8004

Tuxedo Classic Corner Settee

continued

For quilted (Q)

Price Category (Geiger) COM A	+\$0
Price Category (Geiger) COL A	+\$756
Price Category 1	+\$0
Price Category (Geiger) 2	+\$509
Price Category 2	+\$509
Price Category (Geiger) 3	+\$639
Price Category 3	+\$639
Price Category (Geiger) 4	+\$779
Price Category (Geiger) 5	+\$1137
Price Category 5	+\$1137
Price Category (Geiger) 6	+\$1493
Price Category (Geiger) 7	+\$1850
Price Category (Geiger) 8	+\$2834
Price Category 9	+\$3516
Price Category (Geiger) 10	+\$4045
Price Category 11	+\$4532
Price Category 14	+\$0
Price Category (Geiger) D	+\$758
Price Category (Geiger) G	+\$1504
Price Category (Geiger) H	+\$1872
Price Category (Geiger) I	+\$2261
Price Category (Geiger) K	+\$3040
Price Category (Geiger) L	+\$3429
Price Category (Geiger) M	+\$3819
Price Category (Geiger) R	+\$8004

Step 5. Base Finish

Matte Finishes

662 toasted walnut, matte sheen A	+\$0
663 charred walnut, matte sheen A	+\$0
664 bronzed walnut, matte sheen A	+\$0
665 smoked walnut, matte sheen A	+\$0
666 coffee walnut, matte sheen A	+\$0
667 smoked paldao, quarter cut, matte sheen A	+\$0
669 warm paldao, quarter cut, matte sheen A	+\$0
66A recograin frosty ash A	+\$0
677 chocolate ash, matte sheen A	+\$0
68R recograin rosewood A	+\$0
69A recograin frosty ash A	+\$0
69R recograin rosewood A	+\$0
69T recograin teak A	+\$0
6K1 rift oak A	+\$0
ET clear on ash A	+\$0
EU oak on ash A	+\$0
EV walnut on ash A	+\$0

GOU natural walnut, flat cut, matte sheen A	+\$0
6A1 white ash A	+\$0
6K6 burnt oak A	+\$0
932 sundance anigre A	+\$0
933 caramel anigre A	+\$0
934 henna anigre A	+\$0
940 sundance cherry on maple A	+\$0
962 toasted walnut, low sheen A	+\$0
963 charred walnut, low sheen A	+\$0
964 bronzed walnut, low sheen A	+\$0
965 smoked walnut, low sheen A	+\$0
966 coffee walnut, low sheen A	+\$0
967 smoked paldao, low sheen A	+\$0
969 warm paldao, low sheen A	+\$0
972 sundance walnut A	+\$0
977 chocolate ash, low sheen A	+\$0
98R recograin rosewood A	+\$0
991 champagne ash A	+\$0
99A recograin frosty ash A	+\$0
99R recograin rosewood A	+\$0
99T recograin teak A	+\$0
9A1 white ash, quarter cut, low sheen A	+\$0
9K1 rift oak, rift cut, low sheen A	+\$0
9K6 burnt oak, rift cut, low sheen A	+\$0
G2U light brown walnut, low sheen A	+\$0
G40 dark brown walnut, low sheen A	+\$0
UX walnut on cherry A	+\$0
943 caramel cherry A	+\$0
946 cocoa cherry A	+\$0
956 cocoa sapele A	+\$0
998 ebony ash A	+\$0
ED aged cherry A	+\$0
EK medium red walnut A	+\$0

RecoGrain Veneer

66G recograin wenge A	+\$0
68W recograin walnut, flat cut, matte sheen A	+\$0
69G recograin wenge A	+\$0
69W recograin walnut, quarter cut, matte sheen A	+\$0

Recon Veneer -

96G wenge recograin, quarter cut, low sheen A	+\$0
98W recograin walnut, flat cut, low sheen A	+\$0
99G recograin wenge, quarter cut, low sheen A	+\$0
99W recograin walnut, quarter cut, low sheen A	+\$0

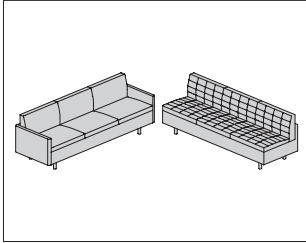
Tuxedo Classic Corner Settee

continued

Step 6. Fire Retardancy		CL	CR	ZL	ZR
NOCAL	no cal-133 required <input type="checkbox"/>	\$0	0	0	0
133	cal-133 required <input type="checkbox"/>	\$683	683	764	764

Tuxedo Classic Sofa

SZ3AB
SZ3AL
SZ3AN
SZ3AR



Product Information

Description

This sofa has solid wood legs with cushions made of polyfoam and DACRON®. Cushions are quilted or not quilted. The sofa is available without arms, or with arms on either the left or right side, or on both sides. Fire retardant sofa meets CAL 133 requirements.

Notes

For arm on right (AR) configuration, sofa connects to adjacent seat on the left.

For arm on left (AL) configuration, sofa connects to adjacent seat on the right.

For arms on left and right (AB), sofa connects to adjacent seat on left and right.

Handedness is determined from a seated position.

Customer's Own Material (COM)/Customer's Own Leather (COL) requires the following:

Type—COM—COL

SZ3ANN—11½ yards—207 square feet

SZ3ANQ—11½ yards—207 square feet

SZ3ABN—14 yards—252 square feet

SZ3ABQ—14 yards—252 square feet

SZ3ALN—12¾ yards—229½ square feet

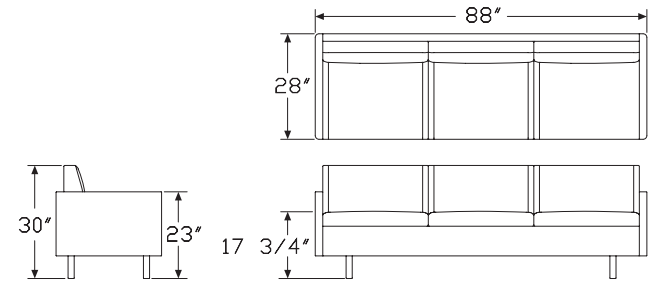
SZ3ALQ—12¾ yards—229½ square feet

SZ3ARN—12¾ yards—229½ square feet

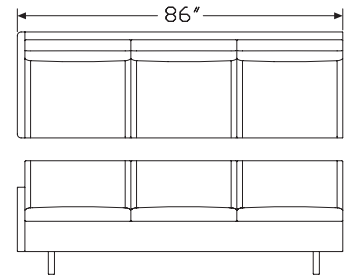
SZ3ARQ—12¾ yards—229½ square feet

See Order Information in Appendices for more information.

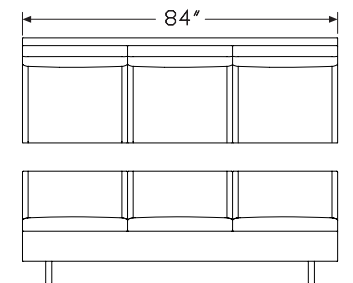
Dimensions



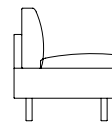
Sofa



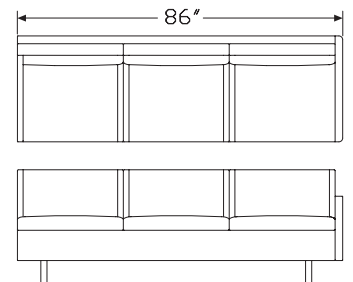
Connecting Sofa - Arm Right



Connecting Sofa - Armless



Connecting Sofa - Arm Left



Specification Information

Step 1.

SZ3 A

Step 2. Arms

- AN** armless A
- AB** arms on left and right A
- AL** arm on left A
- AR** arm on right A

Step 3. Upholstery Type

- N** not quilted A
- Q** quilted A

Prices for Steps 1-3.

SZ3AN	N		\$4590
	Q		\$5105
SZ3AB	N		\$5450
	Q		\$5850
SZ3AL	N		\$5075
	Q		\$5475
SZ3AR	N		\$5075
	Q		\$5475

Step 4. Fabric

For not quilted (N)

	AN	AB	AL	AR
Price Category (Geiger) COM A	+\$0	0	0	0
Price Category (Geiger) COL A	+\$828	1008	918	918
Price Category 1	+\$0	0	0	0
Price Category (Geiger) 2	+\$558	678	617	617
Price Category 2	+\$558	678	617	617
Price Category (Geiger) 3	+\$700	851	775	775
Price Category 3	+\$700	851	775	775
Price Category (Geiger) 4	+\$853	1039	946	946
Price Category (Geiger) 5	+\$1245	1515	1380	1380
Price Category 5	+\$1245	1515	1380	1380
Price Category (Geiger) 6	+\$1635	1990	1813	1813
Price Category (Geiger) 7	+\$2027	2466	2246	2246
Price Category (Geiger) 8	+\$3104	3779	3442	3442
Price Category (Geiger) 9	+\$3851	4687	4269	4269
Price Category 9	+\$3851	4687	4269	4269
Price Category (Geiger) 10	+\$4431	5394	4913	4913
Price Category 11	+\$4964	6042	5503	5503
Price Category 14	+\$0	0	0	0
Price Category (Geiger) D	+\$830	1010	920	920
Price Category (Geiger) G	+\$1647	2005	1826	1826
Price Category (Geiger) H	+\$2050	2495	2273	2273
Price Category (Geiger) I	+\$2477	3014	2745	2745
Price Category (Geiger) K	+\$3329	4053	3691	3691
Price Category (Geiger) L	+\$3756	4572	4164	4164
Price Category (Geiger) M	+\$4182	5091	4637	4637

Tuxedo Classic Sofa *continued*

For quilted (Q)

	AN	AB	AL	AR
Price Category (Geiger) COM A	+\$0	0	0	0
Price Category (Geiger) COL A	+\$828	1008	918	918
Price Category 1	+\$0	0	0	0
Price Category (Geiger) 2	+\$558	678	617	617
Price Category 2	+\$558	678	617	617
Price Category (Geiger) 3	+\$700	851	775	775
Price Category 3	+\$700	851	775	775
Price Category (Geiger) 4	+\$853	1039	946	946
Price Category (Geiger) 5	+\$1245	1515	1380	1380
Price Category 5	+\$1245	1515	1380	1380
Price Category (Geiger) 6	+\$1635	1990	1813	1813
Price Category (Geiger) 7	+\$2027	2466	2246	2246
Price Category (Geiger) 8	+\$3104	3779	3442	3442
Price Category 9	+\$3851	4687	4269	4269
Price Category (Geiger) 10	+\$4431	5394	4913	4913
Price Category 11	+\$4964	6042	5503	5503
Price Category 14	+\$0	0	0	0
Price Category (Geiger) D	+\$830	1010	920	920
Price Category (Geiger) G	+\$1647	2005	1826	1826
Price Category (Geiger) H	+\$2050	2495	2273	2273
Price Category (Geiger) I	+\$2477	3014	2745	2745
Price Category (Geiger) K	+\$3329	4053	3691	3691
Price Category (Geiger) L	+\$3756	4572	4164	4164
Price Category (Geiger) M	+\$4182	5091	4637	4637

Step 5. Base Finish

Matte Finishes

662	toasted walnut, matte sheen A	+\$0
663	charred walnut, matte sheen A	+\$0
664	bronzed walnut, matte sheen A	+\$0
665	smoked walnut, matte sheen A	+\$0
666	coffee walnut, matte sheen A	+\$0
667	smoked paldao, quarter cut, matte sheen A	+\$0
669	warm paldao, quarter cut, matte sheen A	+\$0
66A	recograin frosty ash A	+\$0
677	chocolate ash, matte sheen A	+\$0
68R	recograin rosewood A	+\$0
69A	recograin frosty ash A	+\$0
69R	recograin rosewood A	+\$0
69T	recograin teak A	+\$0
6K1	rift oak A	+\$0
ET	clear on ash A	+\$0
EU	oak on ash A	+\$0
EV	walnut on ash A	+\$0

GOU	natural walnut, flat cut, matte sheen A	+\$0
6A1	white ash A	+\$0
6K6	burnt oak A	+\$0
932	sundance anigre A	+\$0
933	caramel anigre A	+\$0
934	henna anigre A	+\$0
940	sundance cherry on maple A	+\$0
962	toasted walnut, low sheen A	+\$0
963	charred walnut, low sheen A	+\$0
964	bronzed walnut, low sheen A	+\$0
965	smoked walnut, low sheen A	+\$0
966	coffee walnut, low sheen A	+\$0
967	smoked paldao, low sheen A	+\$0
969	warm paldao, low sheen A	+\$0
972	sundance walnut A	+\$0
977	chocolate ash, low sheen A	+\$0
98R	recograin rosewood A	+\$0
991	champagne ash A	+\$0
99A	recograin frosty ash A	+\$0
99R	recograin rosewood A	+\$0
99T	recograin teak A	+\$0
9A1	white ash, quarter cut, low sheen A	+\$0
9K1	rift oak, rift cut, low sheen A	+\$0
9K6	burnt oak, rift cut, low sheen A	+\$0
G2U	light brown walnut, low sheen A	+\$0
G40	dark brown walnut, low sheen A	+\$0
UX	walnut on cherry A	+\$0
943	caramel cherry A	+\$0
946	cocoa cherry A	+\$0
956	cocoa sapele A	+\$0
998	ebony ash A	+\$0
ED	aged cherry A	+\$0
EK	medium red walnut A	+\$0

RecoGrain Veneer

66G	recograin wenge A	+\$0
68W	recograin walnut, flat cut, matte sheen A	+\$0
69G	recograin wenge A	+\$0
69W	recograin walnut, quarter cut, matte sheen A	+\$0

Recon Veneer -

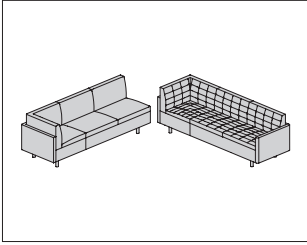
96G	wenge recograin, quarter cut, low sheen A	+\$0
98W	recograin walnut, flat cut, low sheen A	+\$0
99G	recograin wenge, quarter cut, low sheen A	+\$0
99W	recograin walnut, quarter cut, low sheen A	+\$0

Tuxedo Classic Sofa *continued*

Step 6. Fire Retardancy		AN	AB	AL	AR
NOCAL	no cal-133 required <input type="checkbox"/>	+\$0	0	0	0
133	cal-133 required <input type="checkbox"/>	+\$748	910	829	829

Tuxedo Classic Corner Sofa

SZ3CL
SZ3CR
SZ3ZL
SZ3ZR



Product Information

Description

This corner sofa has solid wood legs with cushions made of polyfoam and DACRON®. Cushions are quilted or not quilted. The sofa is available with the corner on the left or right side and with or without an arm on the opposite side. Fire retardant sofa meets CAL 133 requirements.

Notes

Handedness is determined from a seated position.

Customer's Own Material (COM)/Customer's Own Leather (COL) requires the following:

Type—COM—COL

SZ3CRN—14½ yards—261 square feet

SZ3CRQ—14½ yards—261 square feet

SZ3CLN—14½ yards—261 square feet

SZ3CLQ—14½ yards—261 square feet

SZ3ZRN—15¾ yards—284 square feet

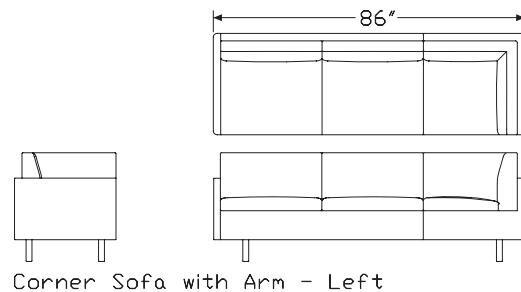
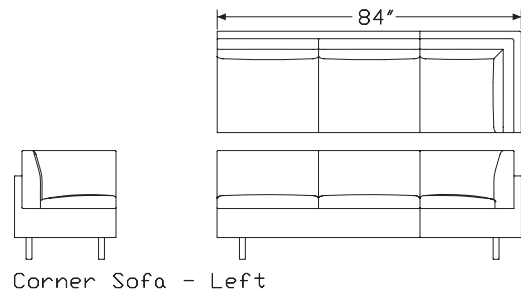
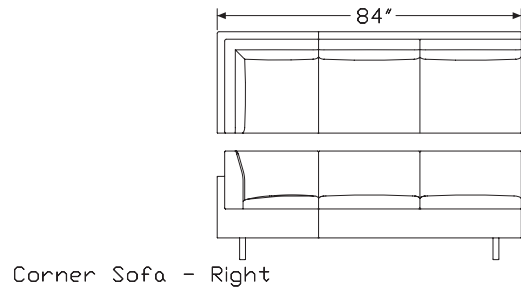
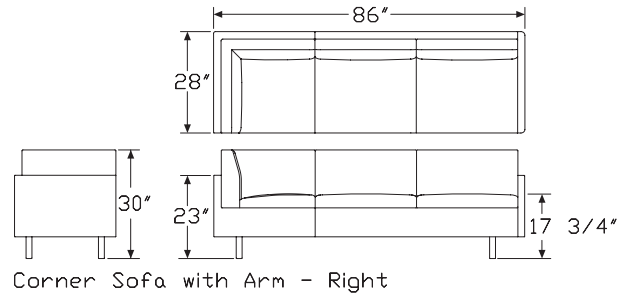
SZ3ZRQ—15¾ yards—284 square feet

SZ3ZLN—15¾ yards—284 square feet

SZ3ZLQ—15¾ yards—284 square feet

See Order Information in Appendices for more information.

Dimensions



Tuxedo Classic Corner Sofa *continued*

Specification Information

Step 1.

SZ3 A

Step 2. Arms

- CL** corner left A
- CR** corner right A
- ZL** corner on left with arm on right A
- ZR** corner on right with arm on left A

Step 3. Upholstery Type

- N** not quilted A
- Q** quilted A

Prices for Steps 1-3.

SZ3CL	N	\$5520
	Q	\$5975
SZ3CR	N	\$5520
	Q	\$5975
SZ3ZL	N	\$5890
	Q	\$6350
SZ3ZR	N	\$5890
	Q	\$6350

Step 4. Fabric

For not quilted (N)

Price Category (Geiger) COM A	+\$0
Price Category (Geiger) COL A	+\$1044
Price Category 1	+\$0
Price Category (Geiger) 2	+\$703
Price Category 2	+\$703
Price Category (Geiger) 3	+\$882
Price Category 3	+\$882
Price Category (Geiger) 4	+\$1076
Price Category (Geiger) 5	+\$1569
Price Category 5	+\$1569
Price Category (Geiger) 6	+\$2062
Price Category (Geiger) 7	+\$2555
Price Category (Geiger) 8	+\$3913
Price Category (Geiger) 9	+\$4855
Price Category 9	+\$4855
Price Category (Geiger) 10	+\$5586
Price Category 11	+\$6259
Price Category 14	+\$0
Price Category (Geiger) D	+\$1046
Price Category (Geiger) G	+\$2077
Price Category (Geiger) H	+\$2585
Price Category (Geiger) I	+\$3122
Price Category (Geiger) K	+\$4198
Price Category (Geiger) L	+\$4735
Price Category (Geiger) M	+\$5273
Price Category (Geiger) R	+\$11052

For quilted (Q)

Price Category (Geiger) COM <input type="checkbox"/>	+\$0
Price Category (Geiger) COL <input type="checkbox"/>	+\$1044
Price Category 1	+\$0
Price Category (Geiger) 2	+\$703
Price Category 2	+\$703
Price Category (Geiger) 3	+\$882
Price Category 3	+\$882
Price Category (Geiger) 4	+\$1076
Price Category (Geiger) 5	+\$1569
Price Category 5	+\$1569
Price Category (Geiger) 6	+\$2062
Price Category (Geiger) 7	+\$2555
Price Category (Geiger) 8	+\$3913
Price Category 9	+\$4855
Price Category (Geiger) 10	+\$5586
Price Category 11	+\$6259
Price Category 14	+\$0
Price Category (Geiger) D	+\$1046
Price Category (Geiger) G	+\$2077
Price Category (Geiger) H	+\$2585
Price Category (Geiger) I	+\$3122
Price Category (Geiger) K	+\$4198
Price Category (Geiger) L	+\$4735
Price Category (Geiger) M	+\$5273
Price Category (Geiger) R	+\$11052

Step 5. Base Finish

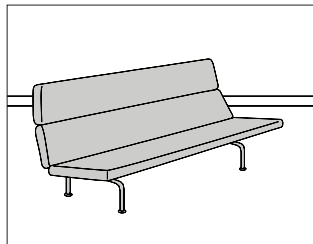
Matte Finishes

662 toasted walnut, matte sheen <input type="checkbox"/>	+\$0
663 charred walnut, matte sheen <input type="checkbox"/>	+\$0
664 bronzed walnut, matte sheen <input type="checkbox"/>	+\$0
665 smoked walnut, matte sheen <input type="checkbox"/>	+\$0
666 coffee walnut, matte sheen <input type="checkbox"/>	+\$0
667 smoked paldao, quarter cut, matte sheen <input type="checkbox"/>	+\$0
669 warm paldao, quarter cut, matte sheen <input type="checkbox"/>	+\$0
66A recograin frosty ash <input type="checkbox"/>	+\$0
677 chocolate ash, matte sheen <input type="checkbox"/>	+\$0
68R recograin rosewood <input type="checkbox"/>	+\$0
69A recograin frosty ash <input type="checkbox"/>	+\$0
69R recograin rosewood <input type="checkbox"/>	+\$0
69T recograin teak <input type="checkbox"/>	+\$0
6K1 rift oak <input type="checkbox"/>	+\$0
ET clear on ash <input type="checkbox"/>	+\$0
EU oak on ash <input type="checkbox"/>	+\$0
EV walnut on ash <input type="checkbox"/>	+\$0

GOU natural walnut, flat cut, matte sheen <input type="checkbox"/>	+\$0
6A1 white ash <input type="checkbox"/>	+\$0
6K6 burnt oak <input type="checkbox"/>	+\$0
932 sundance anigre <input type="checkbox"/>	+\$0
933 caramel anigre <input type="checkbox"/>	+\$0
934 henna anigre <input type="checkbox"/>	+\$0
940 sundance cherry on maple <input type="checkbox"/>	+\$0
962 toasted walnut, low sheen <input type="checkbox"/>	+\$0
963 charred walnut, low sheen <input type="checkbox"/>	+\$0
964 bronzed walnut, low sheen <input type="checkbox"/>	+\$0
965 smoked walnut, low sheen <input type="checkbox"/>	+\$0
966 coffee walnut, low sheen <input type="checkbox"/>	+\$0
967 smoked paldao, low sheen <input type="checkbox"/>	+\$0
969 warm paldao, low sheen <input type="checkbox"/>	+\$0
972 sundance walnut <input type="checkbox"/>	+\$0
977 chocolate ash, low sheen <input type="checkbox"/>	+\$0
98R recograin rosewood <input type="checkbox"/>	+\$0
991 champagne ash <input type="checkbox"/>	+\$0
99A recograin frosty ash <input type="checkbox"/>	+\$0
99R recograin rosewood <input type="checkbox"/>	+\$0
99T recograin teak <input type="checkbox"/>	+\$0
9A1 white ash, quarter cut, low sheen <input type="checkbox"/>	+\$0
9K1 rift oak, rift cut, low sheen <input type="checkbox"/>	+\$0
9K6 burnt oak, rift cut, low sheen <input type="checkbox"/>	+\$0
G2U light brown walnut, low sheen <input type="checkbox"/>	+\$0
G40 dark brown walnut, low sheen <input type="checkbox"/>	+\$0
UX walnut on cherry <input type="checkbox"/>	+\$0
943 caramel cherry <input type="checkbox"/>	+\$0
946 cocoa cherry <input type="checkbox"/>	+\$0
956 cocoa sapele <input type="checkbox"/>	+\$0
998 ebony ash <input type="checkbox"/>	+\$0
ED aged cherry <input type="checkbox"/>	+\$0
EK medium red walnut <input type="checkbox"/>	+\$0
66G recograin wenge <input type="checkbox"/>	+\$0
68W recograin walnut, flat cut, matte sheen <input type="checkbox"/>	+\$0
69G recograin wenge <input type="checkbox"/>	+\$0
69W recograin walnut, quarter cut, matte sheen <input type="checkbox"/>	+\$0
96G wenge recograin, quarter cut, low sheen <input type="checkbox"/>	+\$0
98W recograin walnut, flat cut, low sheen <input type="checkbox"/>	+\$0
99G recograin wenge, quarter cut, low sheen <input type="checkbox"/>	+\$0
99W recograin walnut, quarter cut, low sheen <input type="checkbox"/>	+\$0

Step 6. Fire Retardancy

	CL	CR	ZL	ZR
NOCAL no cal-133 required <input type="checkbox"/>	+\$0	0	0	0
133 cal-133 required <input type="checkbox"/>	+\$943	943	1024	1024



Product Information

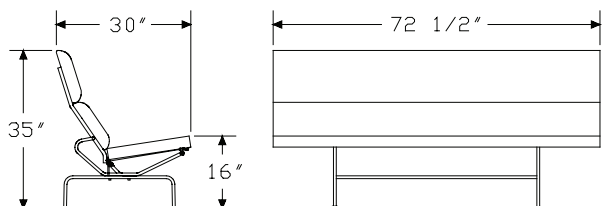
Description

This sofa has 2½"-thick upholstered foam cushions supported by a black enameled frame. It has polished chrome-plated legs and stainless steel glides. All fabrics are railroaded.

Notes

Customer's Own Material (COM) requires 6 yards. See Order Information in Appendices.

Dimensions



HermanMiller Collection—Sofas

Specification Information

Step 1.

473 [A] \$5778

Step 2. Fabric

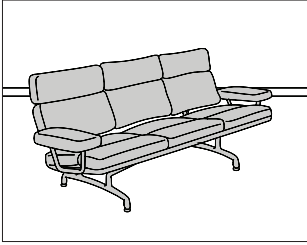
See application chart and textiles list for fabric usage and numbers.

First 2 digits of number indicate fabric line; remaining digit(s) indicate fabric color.

Price Category 1	+\$0
Price Category 2	+\$100
Price Category 3	+\$139
Price Category (Geiger) 3	+\$139
Price Category 4	+\$260
Price Category (Geiger) 4	+\$260
Price Category 5	+\$424
Price Category (Geiger) 5	+\$539
Price Category 6	+\$608
Price Category (Geiger) 6	+\$730
Price Category 7	+\$773
Price Category (Geiger) 7	+\$997
Price Category 8	+\$1620
Price Category 10	+\$1941
Price Category (Geiger) 10	+\$1941
Price Category 14	+\$2540
Price Category B	+\$168
Price Category C	+\$251
Price Category D	+\$334
Price Category E	+\$418
Price Category F	+\$547
Price Category G	+\$710
Price Category H	+\$864
Price Category I	+\$1015
Price Category J	+\$1167
Price Category K	+\$1318
Price Category L	+\$1470
Price Category M	+\$1621
Price Category N	+\$1773
Price Category O	+\$1924
Price Category P	+\$2076
Price Category Q	+\$2235
Price Category R	+\$3631
Price Category S	+\$2568
Price Category X	+\$4940
Price Category Y	+\$5202

Eames® Sofa

ES108
ES110



Product Information

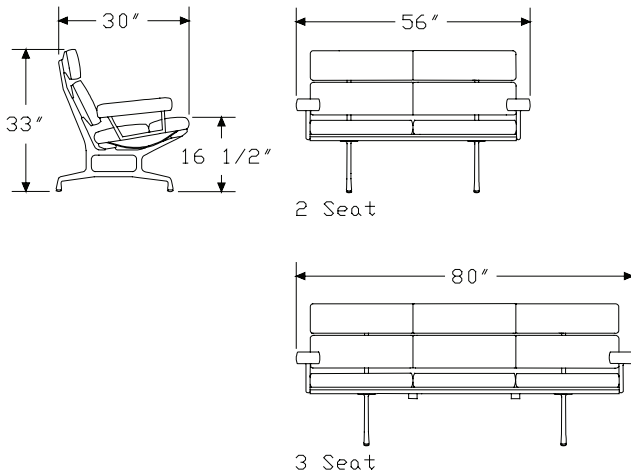
Description

This sofa has 2"-thick upholstered foam cushions and a polished chrome-plated frame with nylon glides. The back panels are hand-finished solid walnut or solid teak.

Notes

Customer's Own Material (COM) requires 4½ yards for 2-seat sofa and 6½ yards for 3-seat sofa. Customer's Own Leather (COL) requires 100 square feet for 2-seat sofa and 125 square feet for 3-seat sofa. See Order Information in Appendices.

Dimensions



Specification Information

Step 1.

ES1 A

Step 2. Number of Seats

08 3 seats A

10 2 seats A

Prices for Steps 1-2.

ES108	\$12009
ES110	\$10948

Step 3. Back Finish

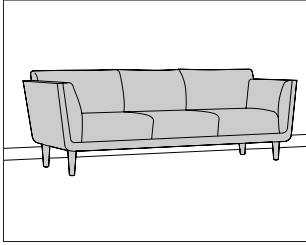
		08	10
5Q	oiled walnut <input type="checkbox"/> A	+\$0	0
OT	teak <input type="checkbox"/> A	+\$775	725

Step 4. Base Finish

CD	polished aluminum <input type="checkbox"/> A	+\$0
-----------	--	------

Step 5. Fabric
 See application chart and textiles list for fabric usage and numbers.
 First 2 digits of number indicate fabric line; remaining digit(s) indicate fabric color.

	08	10
Price Category 1 <input type="checkbox"/> A	+\$0	0
Price Category 3	+\$211	187
Price Category (Geiger) 4	+\$343	281
Price Category 5	+\$574	507
Price Category 7	+\$627	532
Price Category (Geiger) 7	+\$627	532
Price Category 9	+\$1660	1310
Price Category (Geiger) 10	+\$1360	1480
Price Category 10M	+\$2931	2345
Price Category 11	+\$2323	1781
Price Category (Geiger) 11	+\$2323	1781
Price Category C	+\$302	292
Price Category D	+\$382	382
Price Category E	+\$462	462
Price Category F	+\$597	597
Price Category G	+\$776	706
Price Category H	+\$943	943
Price Category I	+\$1108	1108
Price Category J	+\$1274	1274
Price Category K	+\$1439	1439
Price Category L	+\$1604	1604
Price Category M	+\$1770	1770
Price Category N	+\$1935	1935
Price Category O	+\$2100	2100
Price Category P	+\$2266	2266
Price Category Q	+\$2439	2439
Price Category R	+\$3790	2602
Price Category S	+\$2803	2803
Price Category V	+\$6084	4056



Product Information

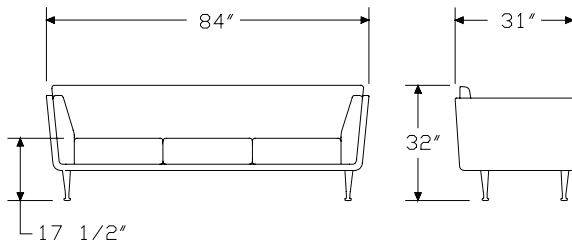
Description

This sofa has a molded veneer frame that wraps around the sides and back. It has 7"-thick upholstered foam cushions and 4 polished cast-aluminum legs with nonadjustable nylon glides.

Notes

Santos palisander veneer is celebrated for its unique grain and color variations. Similar products ordered in multiples or dissimilar products ordered separately should be expected to have variation in both grain and color characteristics; no two products will look exactly alike. Customer's Own Material (COM) requires 10 yards (8 yards for Seat/Back, 2 yards for Accent). Customer's Own Leather (COL) requires 156 square feet. See Order Information in Appendices.

Dimensions



Specification Information

Step 1.

GS100. [A] \$6573

Step 2. Frame Finish

OU	walnut [A]	+\$0
EN	ebony [A]	+\$50
A2	white ash [A]	+\$225
9N	santos palisander [A]	+\$3305

Step 3. Seat/Back Fabric

See application chart and textiles list for fabric usage and numbers. First 2 digits of number indicate fabric line; remaining digit(s) indicate fabric color.

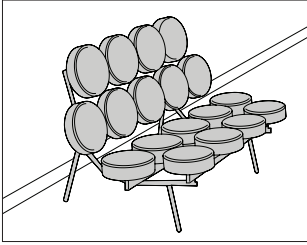
Price Category 1	+\$0
Price Category 2	+\$195
Price Category 3	+\$223
Price Category (Geiger) 3	+\$223
Price Category 4	+\$313
Price Category (Geiger) 4	+\$313
Price Category 5	+\$342
Price Category (Geiger) 5	+\$342
Price Category 6	+\$474
Price Category (Geiger) 6	+\$474
Price Category 7	+\$539
Price Category (Geiger) 7	+\$539
Price Category 8	+\$1018
Price Category (Geiger) 8	+\$1018
Price Category 9	+\$1425
Price Category (Geiger) 9	+\$1425
Price Category 10	+\$1781
Price Category 10M	+\$2894
Price Category (Geiger) 10	+\$1781
Price Category 11	+\$2138
Price Category (Geiger) 11	+\$2138
Price Category 14	+\$2545
Price Category B	+\$140
Price Category C	+\$209
Price Category D	+\$278
Price Category E	+\$348
Price Category F	+\$488
Price Category G	+\$626
Price Category H	+\$834
Price Category I	+\$1043
Price Category J	+\$1251
Price Category K	+\$1459
Price Category L	+\$1645

Price Category M	+\$2065
Price Category N	+\$3700
Price Category O	+\$3800
Price Category P	+\$4375
Price Category Q	+\$4950
Price Category R	+\$2340
Price Category S	+\$5720
Price Category V	+\$3651
Price Category X	+\$7259
Price Category Y	+\$7644

Price Category L	+\$1645
Price Category M	+\$2065
Price Category N	+\$3700
Price Category O	+\$3800
Price Category P	+\$4375
Price Category Q	+\$4950
Price Category R	+\$2340
Price Category S	+\$5720
Price Category V	+\$3651
Price Category X	+\$7259
Price Category Y	+\$7644

Step 4. Accent Fabric
 See application chart and textiles list for fabric usage and numbers.
 First 2 digits of number indicate fabric line; remaining digit(s) indicate fabric color.

Price Category 1	+\$0
Price Category 2	+\$195
Price Category 3	+\$223
Price Category (Geiger) 3	+\$223
Price Category 4	+\$313
Price Category (Geiger) 4	+\$313
Price Category 5	+\$342
Price Category (Geiger) 5	+\$342
Price Category 6	+\$474
Price Category (Geiger) 6	+\$474
Price Category 7	+\$539
Price Category (Geiger) 7	+\$539
Price Category 8	+\$0
Price Category (Geiger) 8	+\$1017
Price Category 9	+\$1425
Price Category (Geiger) 9	+\$1425
Price Category 10	+\$1781
Price Category 10M	+\$1387
Price Category (Geiger) 10	+\$1781
Price Category 11	+\$2138
Price Category (Geiger) 11	+\$2138
Price Category 14	+\$2545
Price Category B	+\$140
Price Category C	+\$209
Price Category D	+\$278
Price Category E	+\$348
Price Category F	+\$488
Price Category G	+\$626
Price Category H	+\$834
Price Category I	+\$1043
Price Category J	+\$1251
Price Category K	+\$1459



Product Information

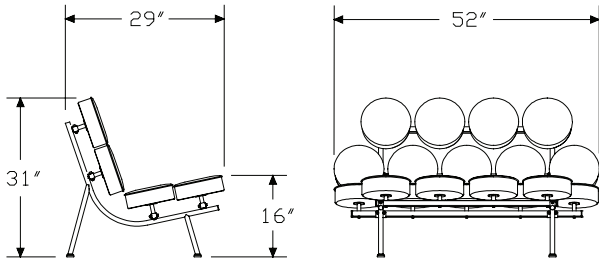
Description

This upholstered sofa has 18 circular cushions on the back and seat, a brushed-finish tubular-steel frame, and black-satin-finish legs.

Notes

Customer's Own Material (COM) requires 3¾ yards. Customer's Own Leather (COL) requires 62 square feet. See Order Information in Appendices.

Dimensions



Specification Information

Step 1.

5670 [A] \$5741

Step 2. Fabric

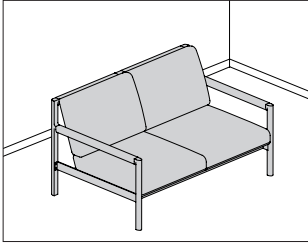
See application chart and textiles list for fabric usage and numbers.

First 2 digits of number indicate fabric line; remaining digit(s) indicate fabric color.

Price Category 1 [A]	+\$0
Price Category 2	+\$0
Price Category 7 [A]	+\$1030
Price Category 9	+\$1442
Price Category 11	+\$1587
Price Category (Geiger) 11	+\$1587

Brabo Settee

SVV5A
SVV5W



Product Information

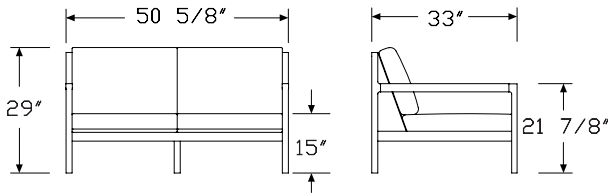
Description

This settee has a solid ash or solid walnut frame with steel-plated metal, leather sling and arm wrap, and upholstered foam cushions.

Notes

Customers Own Material (COM) requires 4 yards for the back and seat cushions. Customers Own Leather (COL) requires 72 square feet for the back and seat cushions, and an additional 54 square feet for the sling and arm wrap. See Order Information in Appendices.

Dimensions



HermanMiller Collection—Sofas

Specification Information

Step 1.

SVV5

Step 2. Frame Finish

A ash

W walnut

Prices for Steps 1-2.

SVV5A \$4845

SVV5W \$5055

Step 3. Wood Finish

Anigre Veneer - Low Sheen

For ash (A)

967 smoked paldao, low sheen +\$0

969 warm paldao, low sheen +\$0

Premium Veneer - Low Sheen

For ash (A)

940 sundance cherry on maple +\$0

943 caramel cherry +\$0

946 cocoa cherry +\$0

956 cocoa sapele +\$0

962 toasted walnut, low sheen +\$0

963 charred walnut, low sheen +\$0

964 bronzed walnut, low sheen +\$0

965 smoked walnut, low sheen +\$0

966 coffee walnut, low sheen +\$0

977 chocolate ash, low sheen +\$0

98R recograin rosewood +\$0

991 champagne ash +\$0

998 ebony ash +\$0

99A recograin frosty ash +\$0

99R recograin rosewood +\$0

99T recograin teak +\$0

9A1 white ash, quarter cut, low sheen +\$0

9K1 rift oak, rift cut, low sheen +\$0

9K6 burnt oak, rift cut, low sheen +\$0

ED aged cherry +\$0

EK medium red walnut +\$0

G2U light brown walnut, low sheen +\$0

G40 dark brown walnut, low sheen +\$0

UX walnut on cherry +\$0

Premium Veneer - Matte		
<i>For ash (A)</i>		
66A	recograin frosty ash <input type="checkbox"/>	+\$0
677	chocolate ash, matte sheen <input type="checkbox"/>	+\$0
68R	recograin rosewood <input type="checkbox"/>	+\$0
69A	recograin frosty ash <input type="checkbox"/>	+\$0
69R	recograin rosewood <input type="checkbox"/>	+\$0
69T	recograin teak <input type="checkbox"/>	+\$0
6A1	white ash <input type="checkbox"/>	+\$0
6K1	rift oak <input type="checkbox"/>	+\$0
6K6	burnt oak <input type="checkbox"/>	+\$0
ET	clear on ash <input type="checkbox"/>	+\$0
EU	oak on ash <input type="checkbox"/>	+\$0
EV	walnut on ash <input type="checkbox"/>	+\$0
GOU	natural walnut, flat cut, matte sheen <input type="checkbox"/>	+\$0

RecoGrain Veneer		
<i>For ash (A)</i>		
66G	recograin wenge <input type="checkbox"/>	+\$0
68W	recograin walnut, flat cut, matte sheen <input type="checkbox"/>	+\$0
69G	recograin wenge <input type="checkbox"/>	+\$0
69W	recograin walnut, quarter cut, matte sheen <input type="checkbox"/>	+\$0

Recon Veneer -		
<i>For ash (A)</i>		
98W	recograin walnut, flat cut, low sheen <input type="checkbox"/>	+\$0
99G	recograin wenge, quarter cut, low sheen <input type="checkbox"/>	+\$0
99W	recograin walnut, quarter cut, low sheen <input type="checkbox"/>	+\$0

Premium Veneer - Low Sheen		
<i>For walnut (W)</i>		
962	toasted walnut, low sheen <input type="checkbox"/>	+\$0
963	charred walnut, low sheen <input type="checkbox"/>	+\$0
964	bronzed walnut, low sheen <input type="checkbox"/>	+\$0
965	smoked walnut, low sheen <input type="checkbox"/>	+\$0
966	coffee walnut, low sheen <input type="checkbox"/>	+\$0
972	sundance walnut <input type="checkbox"/>	+\$0
98R	recograin rosewood <input type="checkbox"/>	+\$0
99R	recograin rosewood <input type="checkbox"/>	+\$0
EK	medium red walnut <input type="checkbox"/>	+\$0
G2U	light brown walnut, low sheen <input type="checkbox"/>	+\$0
G40	dark brown walnut, low sheen <input type="checkbox"/>	+\$0

Premium Veneer - Matte		
<i>For walnut (W)</i>		
662	toasted walnut, matte sheen <input type="checkbox"/>	+\$0
663	charred walnut, matte sheen <input type="checkbox"/>	+\$0
664	bronzed walnut, matte sheen <input type="checkbox"/>	+\$0
665	smoked walnut, matte sheen <input type="checkbox"/>	+\$0
666	coffee walnut, matte sheen <input type="checkbox"/>	+\$0
667	smoked paldao, quarter cut, matte sheen <input type="checkbox"/>	+\$0
669	warm paldao, quarter cut, matte sheen <input type="checkbox"/>	+\$0
68R	recograin rosewood <input type="checkbox"/>	+\$0
69R	recograin rosewood <input type="checkbox"/>	+\$0
GOU	natural walnut, flat cut, matte sheen <input type="checkbox"/>	+\$0

Recon Veneer -		
<i>For walnut (W)</i>		
96G	wenge recograin, quarter cut, low sheen <input type="checkbox"/>	+\$0
99G	recograin wenge, quarter cut, low sheen <input type="checkbox"/>	+\$0

Anigre Veneer - Low Sheen		
<i>For walnut (W)</i>		
967	smoked paldao, low sheen <input type="checkbox"/>	+\$0
969	warm paldao, low sheen <input type="checkbox"/>	+\$0

RecoGrain Veneer		
<i>For walnut (W)</i>		
66G	recograin wenge <input type="checkbox"/>	+\$0
69G	recograin wenge <input type="checkbox"/>	+\$0

Step 4. Seat/Back Fabric	
Price Category (Geiger) 2	+\$0
Price Category (Geiger) COM <input type="checkbox"/>	+\$0
Price Category (Geiger) COL <input type="checkbox"/>	+\$216
Price Category 1	+\$0
Price Category 2	+\$194
Price Category (Geiger) 3	+\$244
Price Category 3	+\$244
Price Category (Geiger) 4	+\$297
Price Category 4	+\$297
Price Category (Geiger) 5	+\$433
Price Category 5	+\$0
Price Category (Geiger) 6	+\$569
Price Category (Geiger) 7	+\$705
Price Category (Geiger) 8	+\$1080
Price Category 9	+\$1339
Price Category (Geiger) 10	+\$1541
Price Category (Geiger) 11	+\$1727
Price Category 11	+\$1727

Brabo Settee *continued*

Price Category (Geiger) 14	+\$0
Price Category (Geiger) C	+\$219
Price Category (Geiger) D	+\$289
Price Category (Geiger) E	+\$573
Price Category (Geiger) F	+\$421
Price Category (Geiger) G	+\$573
Price Category (Geiger) H	+\$713
Price Category (Geiger) I	+\$862
Price Category (Geiger) J	+\$1010
Price Category (Geiger) K	+\$1158
Price Category (Geiger) L	+\$1307
Price Category (Geiger) M	+\$1455
Price Category (Geiger) N	+\$1603
Price Category (Geiger) O	+\$1751
Price Category (Geiger) P	+\$1896
Price Category (Geiger) Q	+\$2188
Price Category (Geiger) R	+\$3049
Price Category (Geiger) S	+\$3276
Price Category (Geiger) T	+\$3502
Price Category (Geiger) U	+\$3729
Price Category (Geiger) X	+\$4409
Price Category (Geiger) Y	+\$4635

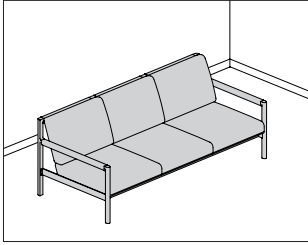
Step 5. Sling/Arm Leather	
Price Category (Geiger) 11	+\$1295
Price Category 11	+\$1295

Step 6. Base Finish	
BNZ bronze <input type="checkbox"/>	+\$0
CHR chrome <input type="checkbox"/>	+\$0
SAC satin chrome <input type="checkbox"/>	+\$0

Step 7. Fire Retardancy	
NOCAL no cal-133 required <input type="checkbox"/>	+\$0
133 cal-133 required <input type="checkbox"/>	+\$260

Brabo Sofa

SVV6A
SVV6W



Product Information

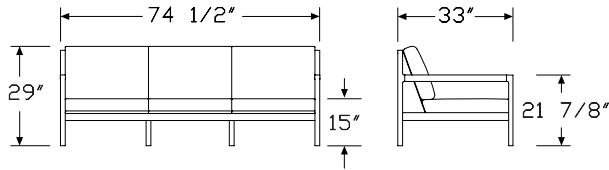
Description

This sofa has a solid ash or solid walnut frame with steel-plated metal, leather sling and arm wrap, and upholstered foam cushions.

Notes

Customers Own Material (COM) requires 6 yards for the back and seat cushions. Customers Own Leather (COL) requires 108 square feet for the back and seat cushions, and an additional 81 square feet for the sling and arm wrap. See Order Information in Appendices.

Dimensions



Specification Information

Step 1.

SVV6 A

Step 2. Frame Finish

A ash A

W walnut A

Prices for Steps 1-2.

SVV6A	\$6485
SVV6W	\$6760

Step 3. Wood Finish

Anigre Veneer - Low Sheen

For ash (A)

967	smoked paldao, low sheen <input type="checkbox"/> A	+\$0
969	warm paldao, low sheen <input type="checkbox"/> A	+\$0

Premium Veneer - Low Sheen

For ash (A)

940	sundance cherry on maple <input type="checkbox"/> A	+\$0
943	caramel cherry <input type="checkbox"/> A	+\$0
946	cocoa cherry <input type="checkbox"/> A	+\$0
956	cocoa sapele <input type="checkbox"/> A	+\$0
962	toasted walnut, low sheen <input type="checkbox"/> A	+\$0
963	charred walnut, low sheen <input type="checkbox"/> A	+\$0
964	bronzed walnut, low sheen <input type="checkbox"/> A	+\$0
965	smoked walnut, low sheen <input type="checkbox"/> A	+\$0
966	coffee walnut, low sheen <input type="checkbox"/> A	+\$0
977	chocolate ash, low sheen <input type="checkbox"/> A	+\$0
98R	recograin rosewood <input type="checkbox"/> A	+\$0
991	champagne ash <input type="checkbox"/> A	+\$0
998	ebony ash <input type="checkbox"/> A	+\$0
99A	recograin frosty ash <input type="checkbox"/> A	+\$0
99R	recograin rosewood <input type="checkbox"/> A	+\$0
99T	recograin teak <input type="checkbox"/> A	+\$0
9A1	white ash, quarter cut, low sheen <input type="checkbox"/> A	+\$0
9K1	rift oak, rift cut, low sheen <input type="checkbox"/> A	+\$0
9K6	burnt oak, rift cut, low sheen <input type="checkbox"/> A	+\$0
ED	aged cherry <input type="checkbox"/> A	+\$0
EK	medium red walnut <input type="checkbox"/> A	+\$0
G2U	light brown walnut, low sheen <input type="checkbox"/> A	+\$0
G40	dark brown walnut, low sheen <input type="checkbox"/> A	+\$0
UX	walnut on cherry <input type="checkbox"/> A	+\$0

Premium Veneer - Matte		
<i>For ash (A)</i>		
66A	recograin frosty ash A	+\$0
677	chocolate ash, matte sheen A	+\$0
68R	recograin rosewood A	+\$0
69A	recograin frosty ash A	+\$0
69R	recograin rosewood A	+\$0
69T	recograin teak A	+\$0
6A1	white ash A	+\$0
6K1	rift oak A	+\$0
6K6	burnt oak A	+\$0
ET	clear on ash A	+\$0
EU	oak on ash A	+\$0
EV	walnut on ash A	+\$0
GOU	natural walnut, flat cut, matte sheen A	+\$0

RecoGrain Veneer		
<i>For ash (A)</i>		
66G	recograin wenge A	+\$0
68W	recograin walnut, flat cut, matte sheen A	+\$0
69G	recograin wenge A	+\$0
69W	recograin walnut, quarter cut, matte sheen A	+\$0

Recon Veneer -		
<i>For ash (A)</i>		
98W	recograin walnut, flat cut, low sheen A	+\$0
99G	recograin wenge, quarter cut, low sheen A	+\$0
99W	recograin walnut, quarter cut, low sheen A	+\$0

Anigre Veneer - Low Sheen		
<i>For walnut (W)</i>		
967	smoked paldao, low sheen A	+\$0
969	warm paldao, low sheen A	+\$0

Premium Veneer - Low Sheen		
<i>For walnut (W)</i>		
962	toasted walnut, low sheen A	+\$0
963	charred walnut, low sheen A	+\$0
964	bronzed walnut, low sheen A	+\$0
965	smoked walnut, low sheen A	+\$0
966	coffee walnut, low sheen A	+\$0
972	sundance walnut A	+\$0
98R	recograin rosewood A	+\$0
99R	recograin rosewood A	+\$0
EK	medium red walnut A	+\$0

Premium Veneer - Matte		
<i>For walnut (W)</i>		
662	toasted walnut, matte sheen A	+\$0
663	charred walnut, matte sheen A	+\$0
664	bronzed walnut, matte sheen A	+\$0
665	smoked walnut, matte sheen A	+\$0
666	coffee walnut, matte sheen A	+\$0
667	smoked paldao, quarter cut, matte sheen A	+\$0
669	warm paldao, quarter cut, matte sheen A	+\$0
68R	recograin rosewood A	+\$0
69R	recograin rosewood A	+\$0

RecoGrain Veneer		
<i>For walnut (W)</i>		
66G	recograin wenge A	+\$0
69G	recograin wenge A	+\$0

Recon Veneer -		
<i>For walnut (W)</i>		
96G	wenge recograin, quarter cut, low sheen A	+\$0
99G	recograin wenge, quarter cut, low sheen A	+\$0

Matte Wood Finishes		
<i>For walnut (W)</i>		
GOU	natural walnut, flat cut, matte sheen A	+\$0

Step 4. Seat/Back Fabric	
Price Category (Geiger) 2	+\$0
Price Category (Geiger) COL A	+\$324
Price Category (Geiger) COM A	+\$0
Price Category 1	+\$0
Price Category 2	+\$291
Price Category 3	+\$365
Price Category (Geiger) 3	+\$365
Price Category 4	+\$445
Price Category (Geiger) 4	+\$445
Price Category 5	+\$433
Price Category (Geiger) 5	+\$649
Price Category (Geiger) 6	+\$853
Price Category (Geiger) 7	+\$1057
Price Category (Geiger) 8	+\$1620
Price Category 9	+\$2009
Price Category (Geiger) 10	+\$2312
Price Category 11	+\$2590
Price Category (Geiger) 11	+\$2590
Price Category (Geiger) 14	+\$0
Price Category (Geiger) C	+\$328

Brabo Sofa *continued*

Price Category (Geiger) D	+\$433
Price Category (Geiger) E	+\$526
Price Category (Geiger) F	+\$631
Price Category (Geiger) G	+\$860
Price Category (Geiger) H	+\$1070
Price Category (Geiger) I	+\$1292
Price Category (Geiger) J	+\$1515
Price Category (Geiger) K	+\$1737
Price Category (Geiger) L	+\$1960
Price Category (Geiger) M	+\$2182
Price Category (Geiger) N	+\$2405
Price Category (Geiger) O	+\$2627
Price Category (Geiger) P	+\$2843
Price Category (Geiger) Q	+\$3282
Price Category (Geiger) R	+\$4574
Price Category (Geiger) S	+\$4914
Price Category (Geiger) T	+\$5253
Price Category (Geiger) U	+\$5593
Price Category (Geiger) X	+\$6613
Price Category (Geiger) Y	+\$6953

Step 5. Sling/Arm Leather

Price Category (Geiger) 11	+\$1943
Price Category 11	+\$1943

Step 6. Base Finish

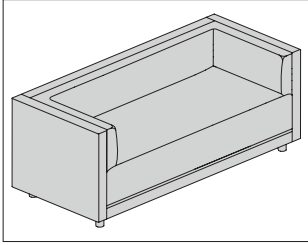
BNZ bronze <input type="checkbox"/>	+\$0
CHR chrome <input type="checkbox"/>	+\$0
SAC satin chrome <input type="checkbox"/>	+\$0

Step 7. Fire Retardancy

NOCAL no cal-133 required <input type="checkbox"/>	+\$0
133 cal-133 required <input type="checkbox"/>	+\$390

Rolled Arm Sofa

SBRA-



Product Information

Description

This sofa is made of plywood with FR foam and Dacron® on the seat and back. The arms consist of FR foam, Dacron, and polyfoam. The legs are solid ash or walnut.

Notes

Customer's Own Material (COM) and Customer's Own Leather (COL) require the following. See Order Information in Appendices for additional information.

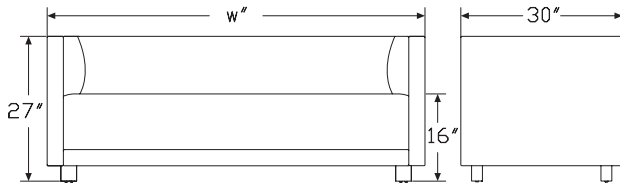
Width—COM—COL

72"—9 yards—162 square feet

84"—11 yards—198 square feet

96"—12½ yards—225 square feet

Dimensions



HermanMiller Collection—Sofas

Specification Information

Step 1.

SBRA

Step 2. Size

-72 72" wide

-84 84" wide

-96 96" wide

Prices for Steps 1-2.

SBRA-72	\$4680
SBRA-84	\$4900
SBRA-96	\$5290

Step 3. Wood Finish

Premium Veneer - Low Sheen

932	sundance anigre <input type="checkbox"/>	+\$0
933	caramel anigre <input type="checkbox"/>	+\$0
934	henna anigre <input type="checkbox"/>	+\$0
940	sundance cherry on maple <input type="checkbox"/>	+\$0
943	caramel cherry <input type="checkbox"/>	+\$0
946	cocoa cherry <input type="checkbox"/>	+\$0
956	cocoa sapele <input type="checkbox"/>	+\$0
962	toasted walnut, low sheen <input type="checkbox"/>	+\$0
963	charred walnut, low sheen <input type="checkbox"/>	+\$0
964	bronzed walnut, low sheen <input type="checkbox"/>	+\$0
965	smoked walnut, low sheen <input type="checkbox"/>	+\$0
966	coffee walnut, low sheen <input type="checkbox"/>	+\$0
967	smoked paldao, low sheen <input type="checkbox"/>	+\$0
969	warm paldao, low sheen <input type="checkbox"/>	+\$0
972	sundance walnut <input type="checkbox"/>	+\$0
977	chocolate ash, low sheen <input type="checkbox"/>	+\$0
98R	recograin rosewood <input type="checkbox"/>	+\$0
991	champagne ash <input type="checkbox"/>	+\$0
998	ebony ash <input type="checkbox"/>	+\$0
99A	recograin frosty ash <input type="checkbox"/>	+\$0
99R	recograin rosewood <input type="checkbox"/>	+\$0
99T	recograin teak <input type="checkbox"/>	+\$0
9A1	white ash, quarter cut, low sheen <input type="checkbox"/>	+\$0
9K1	rift oak, rift cut, low sheen <input type="checkbox"/>	+\$0
9K6	burnt oak, rift cut, low sheen <input type="checkbox"/>	+\$0
ED	aged cherry <input type="checkbox"/>	+\$0
EK	medium red walnut <input type="checkbox"/>	+\$0
G2U	light brown walnut, low sheen <input type="checkbox"/>	+\$0
G40	dark brown walnut, low sheen <input type="checkbox"/>	+\$0
UX	walnut on cherry <input type="checkbox"/>	+\$0

Rolled Arm Sofa *continued*

Premium Veneer - Matte

662	toasted walnut, matte sheen <input type="checkbox"/>	+\$0
663	charred walnut, matte sheen <input type="checkbox"/>	+\$0
664	bronzed walnut, matte sheen <input type="checkbox"/>	+\$0
665	smoked walnut, matte sheen <input type="checkbox"/>	+\$0
666	coffee walnut, matte sheen <input type="checkbox"/>	+\$0
667	smoked paldao, quarter cut, matte sheen <input type="checkbox"/>	+\$0
669	warm paldao, quarter cut, matte sheen <input type="checkbox"/>	+\$0
66A	recograin frosty ash <input type="checkbox"/>	+\$0
677	chocolate ash, matte sheen <input type="checkbox"/>	+\$0
68R	recograin rosewood <input type="checkbox"/>	+\$0
69A	recograin frosty ash <input type="checkbox"/>	+\$0
69R	recograin rosewood <input type="checkbox"/>	+\$0
69T	recograin teak <input type="checkbox"/>	+\$0
6A1	white ash <input type="checkbox"/>	+\$0
6K1	rift oak <input type="checkbox"/>	+\$0
6K6	burnt oak <input type="checkbox"/>	+\$0
ET	clear on ash <input type="checkbox"/>	+\$0
EU	oak on ash <input type="checkbox"/>	+\$0
EV	walnut on ash <input type="checkbox"/>	+\$0
GOU	natural walnut, flat cut, matte sheen <input type="checkbox"/>	+\$0

RecoGrain Veneer

66G	recograin wenge <input type="checkbox"/>	+\$0
68W	recograin walnut, flat cut, matte sheen <input type="checkbox"/>	+\$0
69G	recograin wenge <input type="checkbox"/>	+\$0
69W	recograin walnut, quarter cut, matte sheen <input type="checkbox"/>	+\$0

Recon Veneer -

96G	wenge recograin, quarter cut, low sheen <input type="checkbox"/>	+\$0
98W	recograin walnut, flat cut, low sheen <input type="checkbox"/>	+\$0
99G	recograin wenge, quarter cut, low sheen <input type="checkbox"/>	+\$0
99W	recograin walnut, quarter cut, low sheen <input type="checkbox"/>	+\$0

Step 4. Upholstery

For 72" wide (-72)

Price Category 1	+\$0
Price Category (Geiger) 2	+\$0
Price Category 2	+\$436
Price Category (Geiger) 3	+\$547
Price Category 3	+\$547
Price Category (Geiger) 4	+\$668
Price Category 4	+\$779
Price Category (Geiger) 5	+\$974
Price Category 5	+\$974
Price Category (Geiger) 6	+\$1280
Price Category (Geiger) 7	+\$1586
Price Category (Geiger) 8	+\$2429
Price Category 9	+\$3013
Price Category (Geiger) 10	+\$3467
Price Category (Geiger) 11	+\$3885
Price Category (Geiger) 14	+\$5090
Price Category (Geiger) C	+\$0
Price Category (Geiger) D	+\$812
Price Category (Geiger) E	+\$920
Price Category (Geiger) F	+\$1028
Price Category (Geiger) G	+\$1137
Price Category (Geiger) H	+\$1245
Price Category (Geiger) I	+\$1938
Price Category (Geiger) J	+\$1406
Price Category (Geiger) K	+\$1569
Price Category (Geiger) L	+\$1731
Price Category (Geiger) N	+\$2163
Price Category (Geiger) P	+\$2380
Price Category (Geiger) Q	+\$4610
Price Category (Geiger) U	+\$8390
Price Category (Geiger) X	+\$9919
Price Category (Geiger) COL <input type="checkbox"/>	+\$648
Price Category (Geiger) COM <input type="checkbox"/>	+\$0

Rolled Arm Sofa *continued*

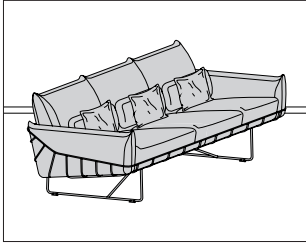
<i>For 84" wide (-84)</i>	
Price Category 1	+\$0
Price Category (Geiger) 2	+\$0
Price Category 2	+\$533
Price Category (Geiger) 3	+\$669
Price Category 3	+\$669
Price Category (Geiger) 4	+\$816
Price Category 4	+\$853
Price Category (Geiger) 5	+\$1190
Price Category 5	+\$1190
Price Category (Geiger) 6	+\$1564
Price Category (Geiger) 7	+\$1938
Price Category (Geiger) 8	+\$2969
Price Category 9	+\$3683
Price Category (Geiger) 10	+\$4238
Price Category 10	+\$0
Price Category (Geiger) 11	+\$4748
Price Category (Geiger) 14	+\$6221
Price Category (Geiger) C	+\$0
Price Category (Geiger) D	+\$889
Price Category (Geiger) E	+\$1008
Price Category (Geiger) F	+\$1126
Price Category (Geiger) G	+\$1245
Price Category (Geiger) H	+\$1363
Price Category (Geiger) I	+\$2368
Price Category (Geiger) J	+\$1540
Price Category (Geiger) K	+\$1719
Price Category (Geiger) L	+\$1896
Price Category (Geiger) N	+\$2369
Price Category (Geiger) P	+\$2606
Price Category (Geiger) Q	+\$5047
Price Category (Geiger) U	+\$10254
Price Category (Geiger) X	+\$12124
Price Category (Geiger) COL A	+\$792
Price Category (Geiger) COM A	+\$0

<i>For 96" wide (-96)</i>	
Price Category 1	+\$0
Price Category (Geiger) 2	+\$0
Price Category 2	+\$606
Price Category (Geiger) 3	+\$761
Price Category 3	+\$761
Price Category (Geiger) 4	+\$927
Price Category 4	+\$927
Price Category (Geiger) 5	+\$1353
Price Category 5	+\$1353
Price Category (Geiger) 6	+\$1777
Price Category (Geiger) 7	+\$2203
Price Category (Geiger) 8	+\$3374
Price Category 9	+\$4185
Price Category (Geiger) 10	+\$4816
Price Category (Geiger) 11	+\$5396
Price Category (Geiger) 14	+\$7069
Price Category (Geiger) C	+\$0
Price Category (Geiger) D	+\$967
Price Category (Geiger) E	+\$1095
Price Category (Geiger) F	+\$1224
Price Category (Geiger) G	+\$1353
Price Category (Geiger) H	+\$1482
Price Category (Geiger) I	+\$2692
Price Category (Geiger) J	+\$1674
Price Category (Geiger) K	+\$1868
Price Category (Geiger) L	+\$2060
Price Category (Geiger) N	+\$2575
Price Category (Geiger) P	+\$2833
Price Category (Geiger) Q	+\$5485
Price Category (Geiger) U	+\$11653
Price Category (Geiger) X	+\$13777
Price Category (Geiger) COL A	+\$900
Price Category (Geiger) COM A	+\$0

Step 5. Fire Retardancy	
NOCAL no cal-133 required A	+\$0
133 cal-133 required A	+\$585
133 cal-133 required A	+\$715
133 cal-133 required A	+\$813

Wireframe™ Sofa

BK110



Product Information

Description

This sofa has contoured cushions on a separate wire frame structure, featuring SuperSeat™ technology. It is available in 2-seat or 3-seat configuration. Lumbar and throw pillows included.

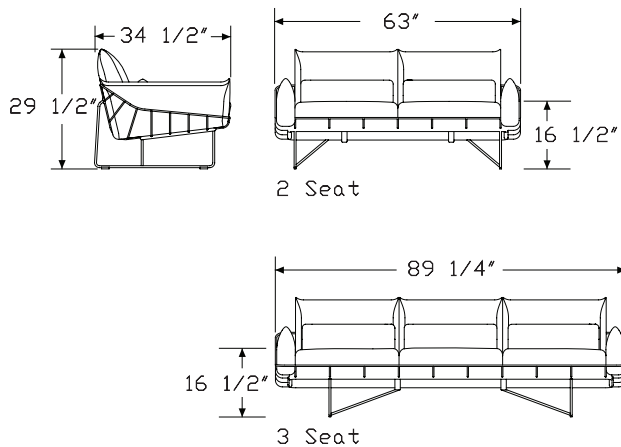
Notes

Fire retardant sofa meets CAL 133 requirements.

COM/COL requires 11 yards/198 square feet per 2-seat sofa, and 14 yards/252 square feet per 3-seat sofa.

Lumbar and throw pillows are shipped in same material specified for chair cushions.

Dimensions



Specification Information

Step 1.

BK1 A

Step 2. Size

1002 2-seat sofa A

1003 3-seat sofa A

Prices for Steps 1-2.

BK11002	\$5627
BK11003	\$6843

Step 3. Frame Finish

91 white <input type="checkbox"/> A	+ \$0
BK black <input type="checkbox"/> A	+ \$0

Step 4. Fabric

	1002	1003
Price Category 1	+ \$0	0
Price Category 2	+ \$206	258
Price Category 3	+ \$309	361
Price Category (Geiger) 3	+ \$309	361
Price Category 4	+ \$515	618
Price Category (Geiger) 4	+ \$515	618
Price Category 5	+ \$721	876
Price Category (Geiger) 5	+ \$721	876
Price Category 6	+ \$979	1133
Price Category (Geiger) 6	+ \$979	1133
Price Category 7	+ \$1288	1545
Price Category (Geiger) 7	+ \$1288	1545
Price Category 8	+ \$1648	1648
Price Category (Geiger) 8	+ \$1648	2009
Price Category 9	+ \$2009	2421
Price Category (Geiger) 9	+ \$2009	2421
Price Category 10	+ \$2421	2884
Price Category (Geiger) 10	+ \$2421	2884
Price Category 11	+ \$2781	3348
Price Category (Geiger) 11	+ \$2781	3348
Price Category 14	+ \$3863	4687
Price Category B	+ \$282	359
Price Category C	+ \$472	601
Price Category D	+ \$647	823
Price Category E	+ \$782	995
Price Category F	+ \$1010	1286
Price Category G	+ \$1312	1670
Price Category H	+ \$1595	2031
Price Category (Geiger) H	+ \$1643	2092

Herman Miller Collection - Sofas

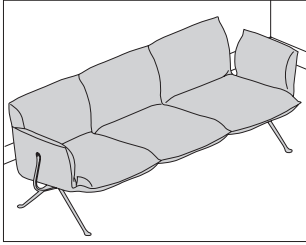
Wireframe™ Sofa *continued*

Price Category I	+\$1875	2387
Price Category J	+\$2155	2743
Price Category K	+\$2435	3099
Price Category L	+\$2715	3455
Price Category M	+\$2995	3812
Price Category N	+\$3275	4168
Price Category O	+\$3555	4524
Price Category P	+\$3834	4880
Price Category Q	+\$4128	5254
Price Category R	+\$5868	7469
Price Category S	+\$4744	6038
Price Category T	+\$5052	6430
Price Category U	+\$5360	6822
Price Category X	+\$7985	10163
Price Category Y	+\$8408	10702

Step 5. Fire Retardancy		
NOCAL	not fire retardant <input type="checkbox"/>	+\$0
133	fire retardant <input type="checkbox"/>	+\$488

Officina Sofa

SD224
SD225

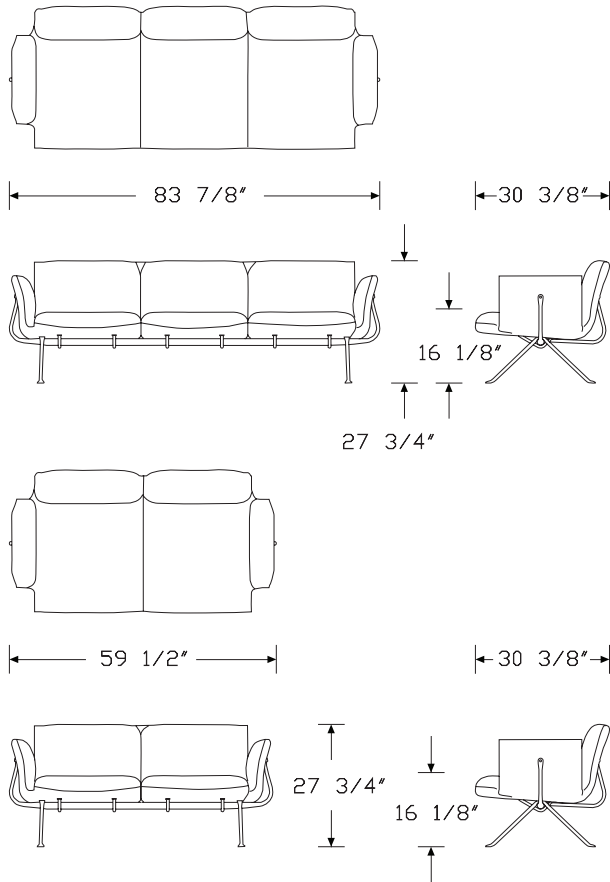


Product Information

Description

This sofa has a wrought iron frame available in galvanized or painted grey anthracite finish. Seat and back are upholstered. Ships assembled.

Dimensions



Specification Information

Step 1.

SD22 A

Step 2. Configuration

4X 2-seat sofa A

5X 3-seat sofa A

Prices for Steps 1-2.

SD224X	\$4325
SD225X	\$6195

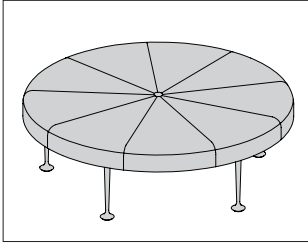
Step 3. Frame Finish

GLV galvanized A +\$0

YCB grey anthracite A +\$0

Step 4. Upholstery

	4X	5X
Price Category (Magis) 1	+\$0	0
Price Category (Magis) 2	+\$600	900
Price Category G	+\$600	900
Price Category H	+\$600	900

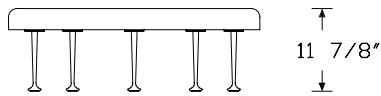
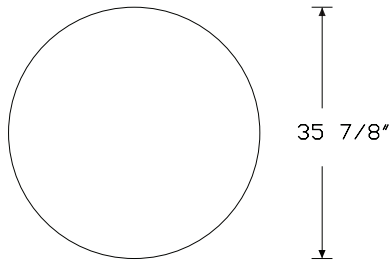


Product Information

Description

This ottoman is upholstered in either Jacobs Coat or a coordinated trio of Hallingdal colors. Legs are polished aluminum and have nonadjustable nylon glides.

Dimensions



Specification Information

Step 1.

66332 [A] \$2138

Step 2. Base Finish

L polished aluminum [A] +\$0

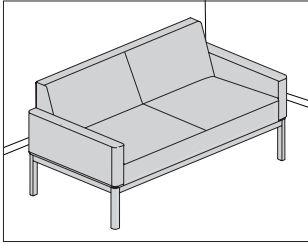
Step 3. Fabric

Price Category H +\$400

Price Category L +\$700

Wood Base Settee

TT2AA
TT2AW



Product Information

Description

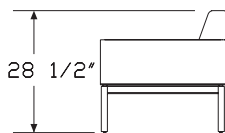
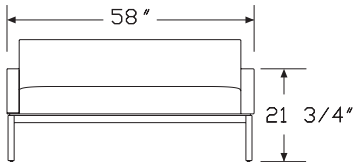
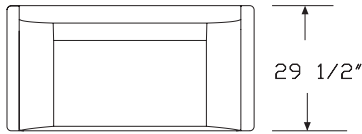
This settee has a polyurethane foam and Dacron® seat with a solid wood base. Base comes in ash or walnut.

Notes

Fire retardant settee meets CAL 133 requirements.

Customer's Own Material (COM) requires 5¼ yards. Customer's Own Leather (COL) requires 94½ square feet. See Order Information in appendices.

Dimensions



Specification Information

Step 1.

TT2 A

Step 2. Arms

A arms A

Step 3. Wood Finish

A ash A

W walnut A

Prices for Steps 1-3.

TT2AA	\$3705
TT2AW	\$3910

Step 4. Upholstery

Price Category (Geiger) COL <input type="checkbox"/> A	+\$306
Price Category (Geiger) COM <input type="checkbox"/> A	+\$0
Price Category 1	+\$0
Price Category (Geiger) 2	+\$206
Price Category 2	+\$0
Price Category (Geiger) 3	+\$259
Price Category 3	+\$0
Price Category (Geiger) 4	+\$316
Price Category (Geiger) 5	+\$460
Price Category 5	+\$459
Price Category (Geiger) 6	+\$0
Price Category (Geiger) 7	+\$749
Price Category (Geiger) 8	+\$1148
Price Category (Geiger) 10	+\$1423
Price Category (Geiger) 11	+\$1835
Price Category 11	+\$1835

Step 5. Leg Finish

Low Sheen Finishes (on Ash)

For ash (A)

967 smoked paldao, low sheen <input type="checkbox"/> A	+\$0
969 warm paldao, low sheen <input type="checkbox"/> A	+\$0

Low Sheen Finishes (on Ash)

For ash (A)

940	sundance cherry on maple A	+\$0
943	caramel cherry A	+\$0
946	cocoa cherry A	+\$0
956	cocoa sapele A	+\$0
962	toasted walnut, low sheen A	+\$0
963	charred walnut, low sheen A	+\$0
964	bronzed walnut, low sheen A	+\$0
965	smoked walnut, low sheen A	+\$0
966	coffee walnut, low sheen A	+\$0
977	chocolate ash, low sheen A	+\$0
98R	recograin rosewood A	+\$0
991	champagne ash A	+\$0
998	ebony ash A	+\$0
99A	recograin frosty ash A	+\$0
99R	recograin rosewood A	+\$0
99T	recograin teak A	+\$0
9A1	white ash, quarter cut, low sheen A	+\$0
9K1	rift oak, rift cut, low sheen A	+\$0
9K6	burnt oak, rift cut, low sheen A	+\$0
ED	aged cherry A	+\$0
EK	medium red walnut A	+\$0
G2U	light brown walnut, low sheen A	+\$0
G40	dark brown walnut, low sheen A	+\$0
UX	walnut on cherry A	+\$0

Low Sheen Finishes (on Ash)

For ash (A)

98W	recograin walnut, flat cut, low sheen A	+\$0
99G	recograin wenge, quarter cut, low sheen A	+\$0
99W	recograin walnut, quarter cut, low sheen A	+\$0

Matte Sheen Finishes (on Ash)

For ash (A)

66A	recograin frosty ash A	+\$0
677	chocolate ash, matte sheen A	+\$0
68R	recograin rosewood A	+\$0
69A	recograin frosty ash A	+\$0
69R	recograin rosewood A	+\$0
69T	recograin teak A	+\$0
6A1	white ash A	+\$0
6K1	rift oak A	+\$0
6K6	burnt oak A	+\$0
ET	clear on ash A	+\$0
EU	oak on ash A	+\$0
EV	walnut on ash A	+\$0
GOU	natural walnut, flat cut, matte sheen A	+\$0

Matte Sheen Finishes (on Ash)

For ash (A)

66G	recograin wenge A	+\$0
68W	recograin walnut, flat cut, matte sheen A	+\$0
69G	recograin wenge A	+\$0
69W	recograin walnut, quarter cut, matte sheen A	+\$0

Low Sheen Finishes (on Walnut)

For walnut (W)

967	smoked paldao, low sheen A	+\$0
969	warm paldao, low sheen A	+\$0

Low Sheen Finishes (on Walnut)

For walnut (W)

962	toasted walnut, low sheen A	+\$0
963	charred walnut, low sheen A	+\$0
964	bronzed walnut, low sheen A	+\$0
965	smoked walnut, low sheen A	+\$0
966	coffee walnut, low sheen A	+\$0
972	sundance walnut A	+\$0
98R	recograin rosewood A	+\$0
99R	recograin rosewood A	+\$0
EK	medium red walnut A	+\$0
G2U	light brown walnut, low sheen A	+\$0
G40	dark brown walnut, low sheen A	+\$0

Low Sheen Finishes (on Walnut)

For walnut (W)

96G	wenge recograin, quarter cut, low sheen A	+\$0
99G	recograin wenge, quarter cut, low sheen A	+\$0

Wood Base Settee *continued*

Matte Sheen Finishes (on Walnut)

For walnut (W)

662	toasted walnut, matte sheen	<input type="checkbox"/> A	+\$0
663	charred walnut, matte sheen	<input type="checkbox"/> A	+\$0
664	bronzed walnut, matte sheen	<input type="checkbox"/> A	+\$0
665	smoked walnut, matte sheen	<input type="checkbox"/> A	+\$0
666	coffee walnut, matte sheen	<input type="checkbox"/> A	+\$0
667	smoked paldao, quarter cut, matte sheen	<input type="checkbox"/> A	+\$0
669	warm paldao, quarter cut, matte sheen	<input type="checkbox"/> A	+\$0
68R	recograin rosewood	<input type="checkbox"/> A	+\$0
69R	recograin rosewood	<input type="checkbox"/> A	+\$0
GOU	natural walnut, flat cut, matte sheen	<input type="checkbox"/> A	+\$0

Matte Sheen Finishes (on Walnut)

For walnut (W)

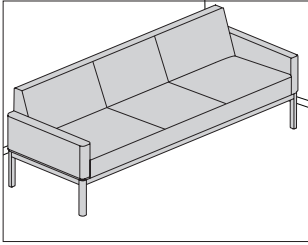
66G	recograin wenge	<input type="checkbox"/> A	+\$0
69G	recograin wenge	<input type="checkbox"/> A	+\$0

Step 6. Fire Retardancy

133	cal-133 required	<input type="checkbox"/> A	+\$276
NOCAL	no cal-133 required	<input type="checkbox"/> A	+\$0

Wood Base Sofa

TT3AA
TT3AW



Product Information

Description

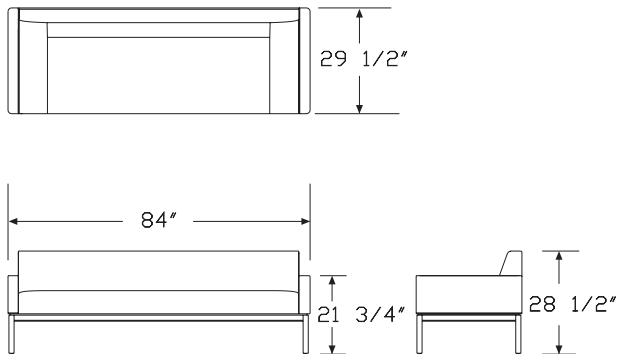
This sofa has a polyurethane foam and Dacron® seat with a solid wood base. Base comes in ash or walnut.

Notes

Fire retardant sofa meets CAL 133 requirements.

Customer's Own Material (COM) requires 7¼ yards. Customer's Own Leather (COL) requires 130½ square feet. See Order Information in appendices.

Dimensions



HermanMiller Collection—Sofas

Specification Information

Step 1.

TT3 A

Step 2. Arms

A arms A

Step 3. Wood Finish

A ash A

W walnut A

Prices for Steps 1-3.

TT3AA	\$4530
TT3AW	\$4840

Step 4. Upholstery

Price Category (Geiger) COL <input type="checkbox"/> A	+\$414
Price Category (Geiger) COM <input type="checkbox"/> A	+\$0
Price Category 1	+\$0
Price Category (Geiger) 2	+\$279
Price Category 2	+\$0
Price Category (Geiger) 3	+\$350
Price Category 3	+\$0
Price Category (Geiger) 4	+\$427
Price Category (Geiger) 5	+\$623
Price Category 5	+\$623
Price Category (Geiger) 6	+\$0
Price Category (Geiger) 7	+\$1013
Price Category (Geiger) 8	+\$1553
Price Category (Geiger) 10	+\$2216
Price Category (Geiger) 11	+\$2482
Price Category 11	+\$2482

Step 5. Leg Finish

Low Sheen Finishes (on Ash)

For ash (A)

967	smoked paldao, low sheen <input type="checkbox"/> A	+\$0
969	warm paldao, low sheen <input type="checkbox"/> A	+\$0

Wood Base Sofa *continued*

Low Sheen Finishes (on Ash)

For ash (A)

940	sundance cherry on maple [A]	+\$0
943	caramel cherry [A]	+\$0
946	cocoa cherry [A]	+\$0
956	cocoa sapele [A]	+\$0
962	toasted walnut, low sheen [A]	+\$0
963	charred walnut, low sheen [A]	+\$0
964	bronzed walnut, low sheen [A]	+\$0
965	smoked walnut, low sheen [A]	+\$0
966	coffee walnut, low sheen [A]	+\$0
977	chocolate ash, low sheen [A]	+\$0
98R	recograin rosewood [A]	+\$0
991	champagne ash [A]	+\$0
998	ebony ash [A]	+\$0
99A	recograin frosty ash [A]	+\$0
99R	recograin rosewood [A]	+\$0
99T	recograin teak [A]	+\$0
9A1	white ash, quarter cut, low sheen [A]	+\$0
9K1	rift oak, rift cut, low sheen [A]	+\$0
9K6	burnt oak, rift cut, low sheen [A]	+\$0
ED	aged cherry [A]	+\$0
EK	medium red walnut [A]	+\$0
G2U	light brown walnut, low sheen [A]	+\$0
G40	dark brown walnut, low sheen [A]	+\$0
UX	walnut on cherry [A]	+\$0

Low Sheen Finishes (on Ash)

For ash (A)

98W	recograin walnut, flat cut, low sheen [A]	+\$0
99G	recograin wenge, quarter cut, low sheen [A]	+\$0
99W	recograin walnut, quarter cut, low sheen [A]	+\$0

Matte Sheen Finishes (on Ash)

For ash (A)

66A	recograin frosty ash [A]	+\$0
677	chocolate ash, matte sheen [A]	+\$0
68R	recograin rosewood [A]	+\$0
69A	recograin frosty ash [A]	+\$0
69R	recograin rosewood [A]	+\$0
69T	recograin teak [A]	+\$0
6A1	white ash [A]	+\$0
6K1	rift oak [A]	+\$0
6K6	burnt oak [A]	+\$0
ET	clear on ash [A]	+\$0
EU	oak on ash [A]	+\$0
EV	walnut on ash [A]	+\$0
GOU	natural walnut, flat cut, matte sheen [A]	+\$0

Matte Sheen Finishes (on Ash)

For ash (A)

66G	recograin wenge [A]	+\$0
68W	recograin walnut, flat cut, matte sheen [A]	+\$0
69G	recograin wenge [A]	+\$0
69W	recograin walnut, quarter cut, matte sheen [A]	+\$0

Low Sheen Finishes (on Walnut)

For walnut (W)

962	toasted walnut, low sheen [A]	+\$0
963	charred walnut, low sheen [A]	+\$0
964	bronzed walnut, low sheen [A]	+\$0
965	smoked walnut, low sheen [A]	+\$0
966	coffee walnut, low sheen [A]	+\$0
972	sundance walnut [A]	+\$0
98R	recograin rosewood [A]	+\$0
99R	recograin rosewood [A]	+\$0
EK	medium red walnut [A]	+\$0
G2U	light brown walnut, low sheen [A]	+\$0
G40	dark brown walnut, low sheen [A]	+\$0

Matte Sheen Finishes (on Walnut)

For walnut (W)

967	smoked paldao, low sheen [A]	+\$0
969	warm paldao, low sheen [A]	+\$0

Wood Base Sofa *continued*

Matte Sheen Finishes (on Walnut)

For walnut (W)

662	toasted walnut, matte sheen <input type="checkbox"/>	+\$0
663	charred walnut, matte sheen <input type="checkbox"/>	+\$0
664	bronzed walnut, matte sheen <input type="checkbox"/>	+\$0
665	smoked walnut, matte sheen <input type="checkbox"/>	+\$0
666	coffee walnut, matte sheen <input type="checkbox"/>	+\$0
667	smoked paldao, quarter cut, matte sheen <input type="checkbox"/>	+\$0
669	warm paldao, quarter cut, matte sheen <input type="checkbox"/>	+\$0
68R	recograin rosewood <input type="checkbox"/>	+\$0
69R	recograin rosewood <input type="checkbox"/>	+\$0
GOU	natural walnut, flat cut, matte sheen <input type="checkbox"/>	+\$0

Matte Sheen Finishes (on Walnut)

For walnut (W)

66G	recograin wenge <input type="checkbox"/>	+\$0
69G	recograin wenge <input type="checkbox"/>	+\$0

Matte Sheen Finishes (on Walnut)

For walnut (W)

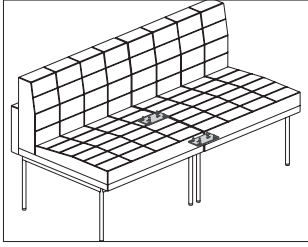
96G	wenge recograin, quarter cut, low sheen <input type="checkbox"/>	+\$0
99G	recograin wenge, quarter cut, low sheen <input type="checkbox"/>	+\$0

Step 6. Fire Retardancy

133	cal-133 required <input type="checkbox"/>	+\$374
NOCAL	no cal-133 required <input type="checkbox"/>	+\$0

Tuxedo Ganging Plate

STGP

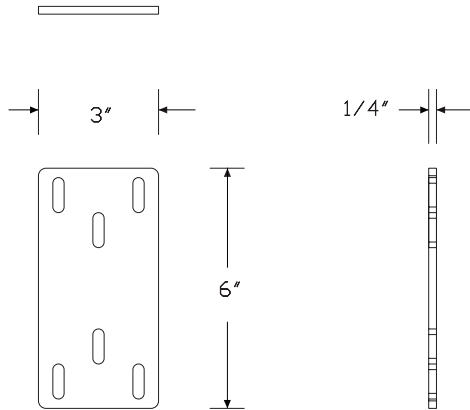


Product Information

Description

This ganging plate kit includes 2 metal plates and attachment hardware.

Dimensions



Specification Information

Step 1.

STGP A

\$75

HermanMiller Collection Desks and Tables

Desks

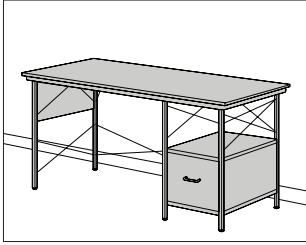
Tables

Occasional Tables



Eames® Desk Unit

EDU10.
EDU20.
EDU21.

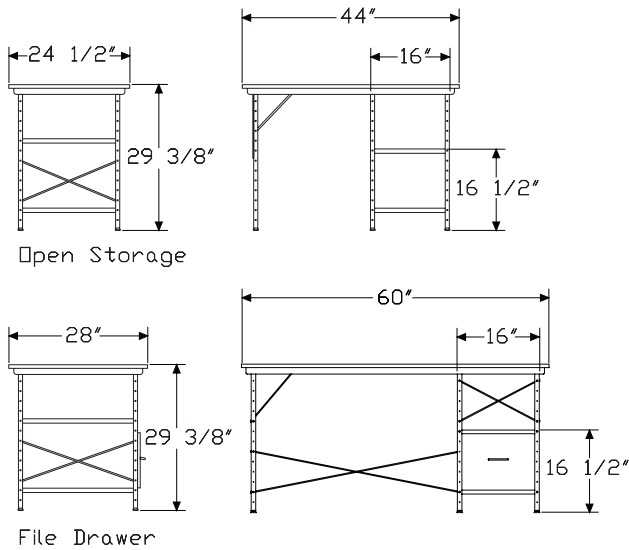


Product Information

Description

This desk unit has a powder-coated or zinc-coated steel frame, a birch top, painted side panels, with either open storage or a birch-front file drawer on the left or right side. It has adjustable glides.

Dimensions



Specification Information

Step 1.

EDU A

Step 2. File Drawer

- 10. open storage A
- 20. right-hand file drawer A
- 21. left-hand file drawer A

Prices for Steps 1-2.

EDU10.	\$2049
EDU20.	\$2285
EDU21.	\$2285

Step 3. Frame Finish

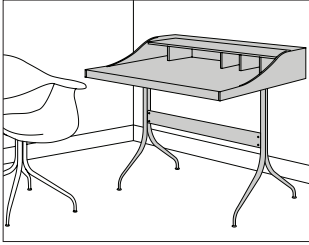
ZC zinc plated <input type="checkbox"/> A	+\$0
BU black umber <input type="checkbox"/> A	+\$95

Step 4. Surface Finish

NC natural color <input type="checkbox"/> A	+\$0
W9 multi-color <input type="checkbox"/> A	+\$0

Nelson™ Swag Leg Desk

NS585



HermanMiller Collection—Desks

Product Information

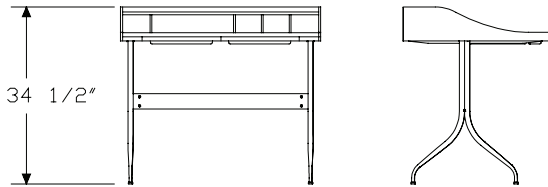
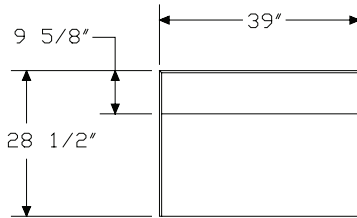
Description

This 34½"-high desk has a white-laminate top surface, solid walnut side and back panels, 4 hardwood dividers, and 2 black-plastic pencil drawers. The base is chrome-finished steel tubing with a solid walnut stretcher and adjustable glides. The desk also has a grommet for cable management. Shipped knocked down.

Notes

Hardwood divider colors include 2 orange, 1 spa blue, and 1 chartreuse.

Dimensions



Specification Information

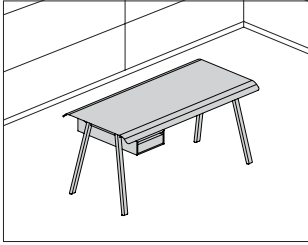
Step 1.

NS5850 A

\$3038

Distil Desk

TB100.

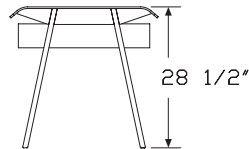
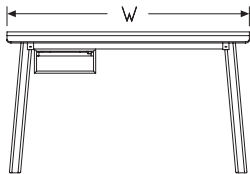
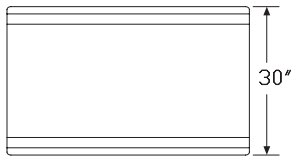


Product Information

Description

This desk has a molded plywood top with veneer in a choice of finishes, solid wood legs, and a choice of storage boxes. Storage boxes have laminate interior surfaces, can be oriented vertically or horizontally, and mounted on the left or right side of the desk. Storage box includes a drawer with coordinating laminate interior and is stained to match the desk top. Ships knocked down.

Dimensions



Specification Information

Step 1.

TB100. A

Step 2. Size

3048 30" deep x 48" wide A

3060 30" deep x 60" wide A

Step 3. Storage Box Option

For 30" deep x 48" wide (3048)

VSB vertical, single box A

HSB horizontal, single box A

For 30" deep x 60" wide (3060)

VSB vertical, single box A

HSB horizontal, single box A

VHB 1 vertical and 1 horizontal box A

VVB 2 vertical boxes A

Prices for Steps 1-3.

	VSB	HSB	VHB	VVB
TB100. 3048	\$3716	3606	—	—
3060	\$3826	3716	4918	5027

Step 4. Top Finish

		3048	3060
A2 white ash <input type="checkbox"/> A		+\$0	0
EN ebony <input type="checkbox"/> A		+\$0	0
OU walnut <input type="checkbox"/> A		+\$150	300

Step 5. Storage Box Interior Finish

For white ash (A2)

91 white A +\$0

For ebony (EN)

BK black A +\$0

For walnut (OU)

91 white A +\$0

BK black A +\$0

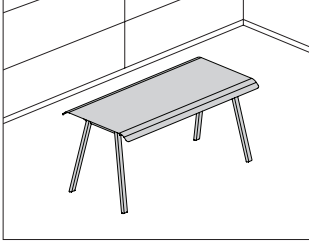
ORN orange A +\$0

Step 6. Leg Material

WWD wood A +\$0

Distil Table

TB200.



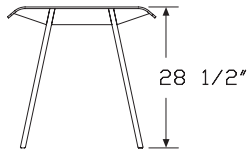
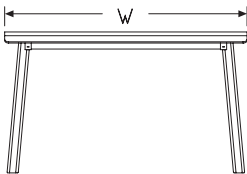
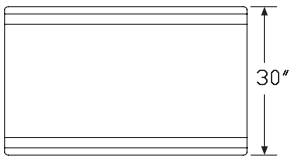
HermanMiller Collection - Desks

Product Information

Description

This table has a molded plywood top with veneer in a choice of finishes and solid wood legs. Ships knocked down.

Dimensions



Specification Information

Step 1.

TB200. A

Step 2. Size

3048 30" deep x 48" wide A

3060 30" deep x 60" wide A

Prices for Steps 1-2.

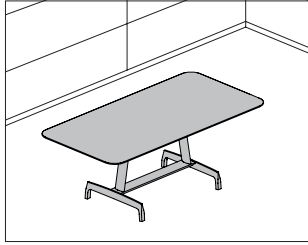
TB200. 3048	\$2514
3060	\$2623

Step 3. Top Finish

	3048	3060
A2 white ash <input type="checkbox"/> A	+\$0	0
EN ebony <input type="checkbox"/> A	+\$0	0
OU walnut <input type="checkbox"/> A	+\$150	300

Step 4. Leg Material

WWD wood <input type="checkbox"/> A	+\$0
--	------



Product Information

Description

This rectangular table comes in 3 depths and 7 widths, and has painted Formcoat®, veneer, and stone surface options. Top is 3/4" thick and has a soft, tapered edge. Glides have 1 1/4" of leveling adjustment.

Notes

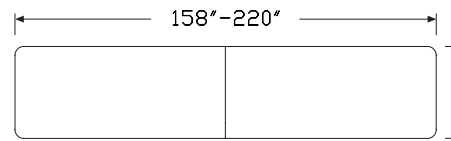
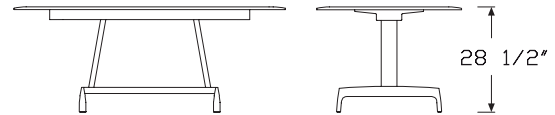
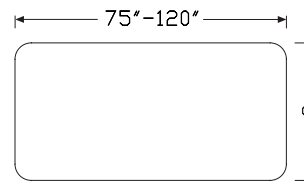
Tables 158" wide and wider will have 2-piece tops and a double base.

Grain direction for veneer tables less than 158" wide will align with width; for veneer tables 158" wide and wider grain direction will align with depth.

Santos palisander veneer is celebrated for its unique grain and color variations. Similar products ordered in multiples or dissimilar products ordered separately should be expected to have variation in both grain and color characteristics; no two products will look exactly alike.

Natural characteristics in stone cause variations in hues, veins, crystals, and distinctive marks. These variations and subtle changes seen as the stone ages are values associated with natural materials. No two tabletops are identically the same; variations in both color and veining are to be expected. Over time the stone may fade in color, staining of the surface may appear, and surface cracks-if not already visible at time of purchase-may appear. Small cracks do not affect the structure of the tabletop.

Dimensions



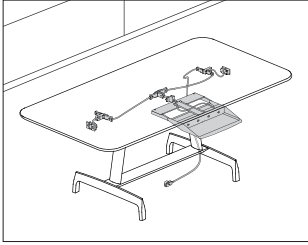
Specification Information				
Step 1.				
DF	A			
Step 2. Shape				
100.	rectangular	A		
Step 3. Depth				
38	38" deep	A		
42	42" deep	A		
48	48" deep	A		
Step 4. Width				
<i>For 38" deep (38)</i>				
75	75" wide	A		
85	85" wide	A		
<i>For 42" deep (42)</i>				
85	85" wide	A		
95	95" wide	A		
<i>For 48" deep (48)</i>				
95	95" wide	A		
120	120" wide	A		
158	158" wide	A		
190	190" wide	A		
220	220" wide	A		
Step 5. Surface Material				
<i>For 75" wide (75), 85" wide (85), or 95" wide (95)</i>				
P	paint Formcoat®	A		
W	veneer	A		
S	stone	A		
<i>For 120" wide (120), 158" wide (158), 190" wide (190), or 220" wide (220)</i>				
P	paint Formcoat®	A		
W	veneer	A		
Prices for Steps 1-5.				
		P	W	S
DF100. 38 75		\$4413	6619	16546
85		\$4523	6729	17099
42 85		\$4633	6839	17650
95		\$4964	7170	18753

48 95		\$5184	7390	20408			
120		\$5957	8163	—			
158		\$8494	13238	—			
190		\$9928	14340	—			
220		\$10479	15444	—			
Step 6. Understructure Finish							
91	white	A		+\$0			
BK	black	A		+\$0			
Step 7. Base Finish							
<i>For white (91)</i>							
91	white	A		+\$0			
PA	polished aluminum	A		+\$0			
<i>For black (BK)</i>							
BK	black	A		+\$0			
PA	polished aluminum	A		+\$0			
Step 8. Top Finish							
<i>For painted Formcoat® (P)</i>							
8Q	folkstone grey	A		+\$0			
91	white	A		+\$0			
<i>For 38" deep (38), 42" deep (42), or 48" deep (48) with 75" wide (75), 85" wide (85), 95" wide (95), or 120" wide (120), or 158" wide (158), or 190" wide (190), or 220" wide (220) with veneer (W) with white (91), or polished aluminum (PA)</i>							
A2	white ash	A		+\$0			
<i>For veneer (W) AND black (BK)</i>							
		3875	3885	4285	4295	4895	
9N	santos palisander	A	+\$1299	1499	1899	2299	2399
A2	white ash	A	+\$0	0	0	0	0
EN	ebony	A	+\$0	0	0	0	0
OU	walnut	A	+\$0	0	0	0	0
			48120	48158	48190	48220	
9N	santos palisander	A	+\$3699	4099	4599	6299	
A2	white ash	A	+\$0	0	0	0	
EN	ebony	A	+\$0	0	0	0	
OU	walnut	A	+\$0	0	0	0	

<i>For veneer (W) AND polished aluminum (PA)</i>						
		3875	3885	4285	4295	4895
9N	santos palisander A	+\$1299	1499	1899	2299	2399
EN	ebony A	+\$0	0	0	0	0
OU	walnut A	+\$0	0	0	0	0
		48120	48158	48190	48220	
9N	santos palisander A	+\$3699	4099	4599	6299	
EN	ebony A	+\$0	0	0	0	
OU	walnut A	+\$0	0	0	0	

<i>For 38" deep (38), 42" deep (42), or 48" deep (48) with 75" wide (75), or 85" wide (85), or 95" wide (95) with stone (S) with white (91), or polished aluminum (PA)</i>						
5U	georgia grey marble A					+\$1500

<i>For 38" deep (38), 42" deep (42), or 48" deep (48) with 75" wide (75), or 85" wide (85), or 95" wide (95) with stone (S) with black (BK), or polished aluminum (PA)</i>						
5U	georgia grey marble A					+\$1500
HR	wisconsin black marble A					+\$5000



Product Information

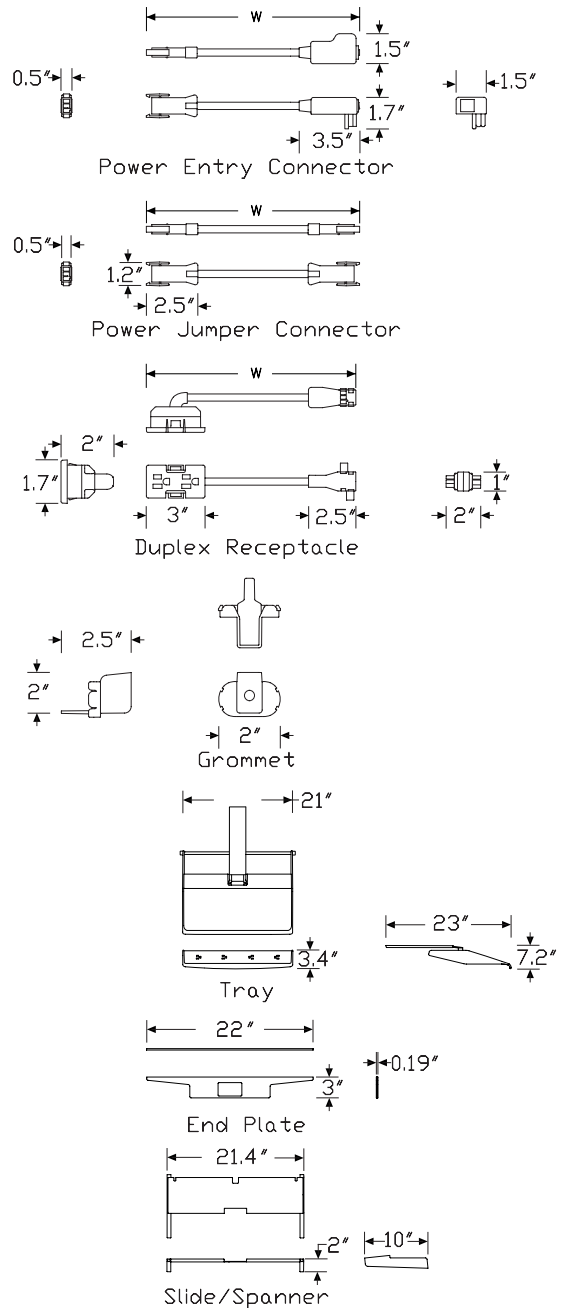
Description

This power kit connects to an AGL™ table. Each kit includes a predetermined number of trays (based on table size), a power entry connector, power jumpers and 2 duplex receptacles for each end of an AGL table. Each tray includes 2 combination receptacles that have a 15-amp simplex receptacle and dual USB ports. Power kit is UL listed for use with AGL table in the US and Canada.

Notes

- Each receptacle is rated at 120 VAC, 15 amp.
- One of the USB ports is a high-power port that can accommodate tablets and other high draw devices.
- Each power cord has a 15-amp resettable circuit breaker.
- For desking applications, specify 1 tray for 38" deep x 75" wide, 38" deep x 85" wide, and 42" deep x 85" wide tables.

Dimensions



AGL™ Table Group Power Kit

continued

Specification Information

Step 1.

DF900. A

Step 2. Table Size & Kit Configuration

- 3875A** 38" deep X 75" wide, 1 tray A
- 3875B** 38" deep X 75" wide, 2 trays A
- 3885A** 38" deep X 85" wide, 1 tray A
- 3885B** 38" deep X 85" wide, 2 trays A
- 4285A** 42" deep X 85" wide, 1 tray A
- 4285B** 42" deep X 85" wide, 2 trays A
- 4295B** 42" deep X 95" wide, 2 trays A
- 4895B** 48" deep X 95" wide, 2 trays A
- 48120C** 48" deep X 120" wide, 4 trays A
- 48158C** 48" deep X 158" wide, 4 trays A
- 48190D** 48" wide X 190" deep, 6 trays A
- 48220D** 48" wide X 220" deep, 6 trays A

Prices for Steps 1-2.

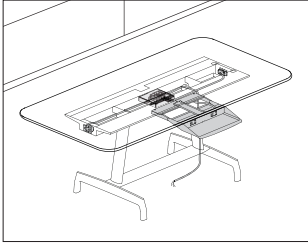
DF900. 3875A	\$993
3875B	\$1544
3885A	\$993
3885B	\$1544
4285A	\$993
4285B	\$1544
4295B	\$1544
4895B	\$1544
48120C	\$2868
48158C	\$2868
48190D	\$3972
48220D	\$3972

Step 3. Finish

- 91** white A + \$0
- BK** black A + \$0

AGL™ Table Group Power Kit, Chicago version

DF901.



Product Information

Description

This power kit is for use with an AGL™ table only and must be wired by a licensed electrician. It includes a predetermined number of trays (based on table size), junction boxes, junction box covers, and duplex receptacles for each end of an AGL table. Each tray in the kit includes 2 combination receptacles that have a 15-amp simplex receptacle and dual USB ports.

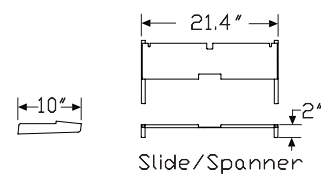
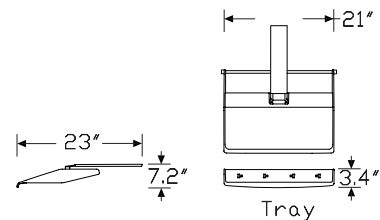
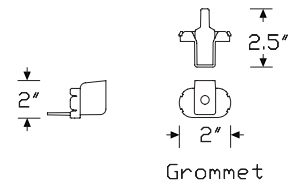
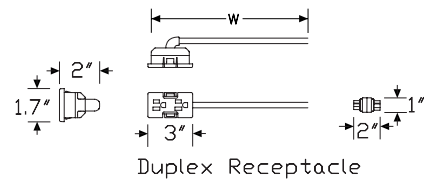
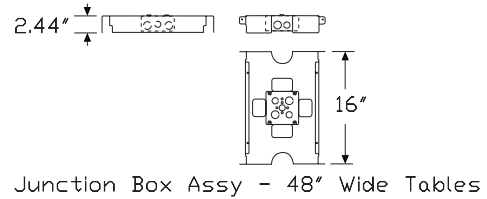
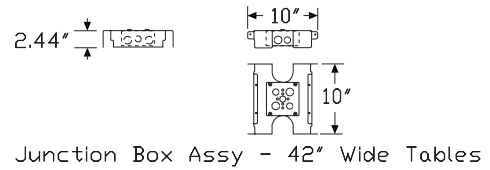
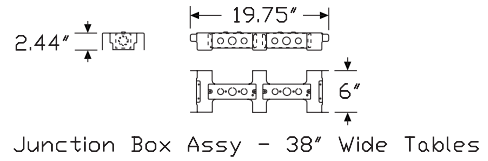
Notes

Each receptacle is rated at 120 VAC, 15 amp.

For desking applications, specify 1 tray for 38" deep x 75" wide, 38" deep x 85" wide, and 42" deep x 85" wide AGL tables.

HermanMiller Collection—Tables

Dimensions



AGL™ Table Group Power Kit,
Chicago version *continued*

Specification Information

Step 1.

DF901. A

Step 2. Table Size & Kit Configuration

- 3875A** 38" deep X 75" wide, 1 tray A
- 3875B** 38" deep X 75" wide, 2 trays A
- 3885A** 38" deep X 85" wide, 1 tray A
- 3885B** 38" deep X 85" wide, 2 trays A
- 4285A** 42" deep X 85" wide, 1 tray A
- 4285B** 42" deep X 85" wide, 2 trays A
- 4295B** 42" deep X 95" wide, 2 trays A
- 4895B** 48" deep X 95" wide, 2 trays A
- 48120C** 48" deep X 120" wide, 4 trays A
- 48158C** 48" deep X 158" wide, 4 trays A
- 48190D** 48" wide X 190" deep, 6 trays A
- 48220D** 48" wide X 220" deep, 6 trays A

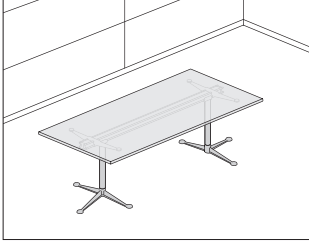
Prices for Steps 1-2.

DF901. 3875A	\$882
3875B	\$1544
3885A	\$882
3885B	\$1544
4285A	\$882
4285B	\$1544
4295B	\$1544
4895B	\$1544
48120C	\$2758
48158C	\$2758
48190D	\$3861
48220D	\$3861

Step 3. Finish

91 white <input type="checkbox"/> A	+\$0
BK black <input type="checkbox"/> A	+\$0

Burdick Group™ Rectangular Table BG321
BG322
BG331
BG332



HermanMiller Collection—Tables

Product Information

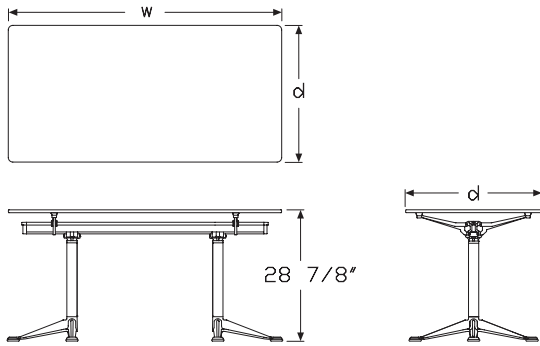
Description

This glass top table attaches to a beam and is available in 2 widths and 2 depths. Beam top surface, end caps, glides, and hook-and-loop fasteners are black. Attachment brackets are included.

Notes

Beam length is unique for 60"-wide and 72"-wide tables.
For white (91) bracket finish, attachment screws will be bright zinc. For black (BK) and polished aluminum (CD) bracket finishes, attachment screws will be black zinc.
Leg-to-beam connector is polished aluminum with no painted accents.

Dimensions



Specification Information

Step 1.

BG3 A

Step 2. Depth/Width

- 21** 30" deep x 60" wide A
- 22** 30" deep x 72" wide A
- 31** 36" deep x 60" wide A
- 32** 36" deep x 72" wide A

Step 3. Surface Material

G glass top A

Prices for Steps 1-3.

BG321 G	\$4791
BG322 G	\$6241
BG331 G	\$4902
BG332 G	\$6352

Step 4. Top/Edge Finish

JL clear glass A + \$0

Step 5. Bracket Finish

- 91** white A + \$0
- BK** black A + \$0
- CD** polished aluminum A + \$0

Step 6. Column Finish

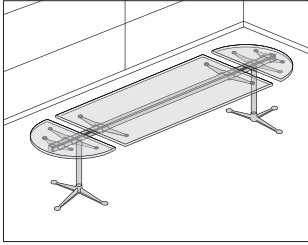
- 91** white A + \$0
- BK** black A + \$0

Step 7. Base Finish

CD polished aluminum A + \$0

Burdick Group™ Oval Table

BG335
BG336
BG435
BG436



Product Information

Description

This oval table has a rectangular glass center surface with glass or stone half-round surfaces on each end, attached to a beam. Table is available in 2 heights, 2 widths and 1 depth. Beam top surface, end caps, glides, and hook-and-loop fasteners are black. Attachment brackets are included.

Notes

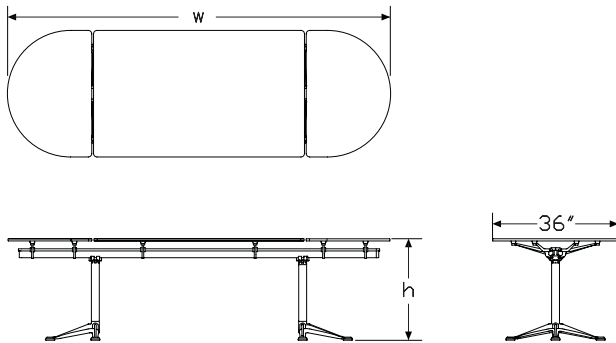
Beam length is unique for each table width.

Center section dimensions are 36" x 60" for the 108" table width, and 36" x 72" for the 120" table width.

For white (91) bracket finish, attachment screws will be bright zinc. For black (BK) and polished aluminum (CD) bracket finishes, attachment screws will be black zinc.

Leg-to-beam connector is polished aluminum with no painted accents.

Dimensions



Specification Information

Step 1.

BG A

Step 2. Height

3 28.5" high A

4 36" high A

Step 3. Depth/Width

35 36" deep x 108" wide A

36 36" deep x 120" wide A

Step 4. Middle Surface Material

G glass top A

Step 5. Ends Surface Material

G glass top A

S stone top A

Prices for Steps 1-5.

	G	S
BG335 G	\$7689	14707
BG336 G	\$9137	16156
BG435 G	\$7689	14707
BG436 G	\$9137	16156

Step 6. Middle Surface Finish

JL clear glass A +\$0

Step 7. Ends Surface Finish

For glass top (G)

JL clear glass A +\$0

For stone top (S)

5U georgia grey marble A +\$699

HR wisconsin black marble A +\$1899

Step 8. Bracket Finish

91 white A +\$0

BK black A +\$0

CD polished aluminum A +\$0

Burdick Group™ Oval Table *continued*

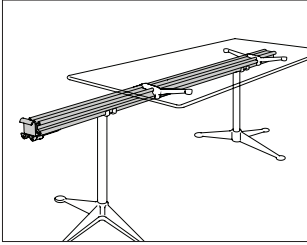
HermanMiller Collection—Tables

Step 9. Column Finish		
91	white <input type="checkbox"/> A	+\$0
BK	black <input type="checkbox"/> A	+\$0

Step 10. Base Finish		
CD	polished aluminum <input type="checkbox"/> A	+\$0

Burdick Group™ Beam

BG105
BG106



Product Information

Description

This structural beam supports Burdick Group™ products. The beam is polished aluminum and has a cable management channel on the underside. Beams can be connected to form right angles. Attachment hardware included.

Notes

Order base assembly (BG107) separately.

Dimensions

Specification Information

Step 1.

BG10 A

Step 2. Type/Length

6 connecting and 5' 6" long A

5 connecting and 7' long A

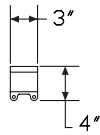
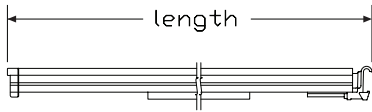
Prices for Steps 1-2.

BG106 \$1451

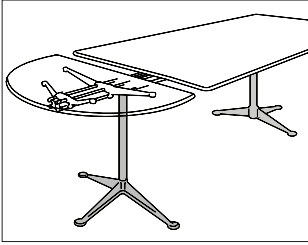
BG105 \$1673

Step 3. Top Finish

BU black umber A +\$0



Burdick Group™ Base Assembly BG107



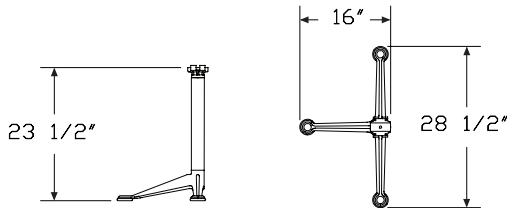
HermanMiller Collection—Tables

Product Information

Description
 This base structure supports a beam and has a vertical cable management package. The base is polished aluminum. Attachment hardware included. Shipped knocked down.

Notes
 Order beam (BG105 or BG106) separately.

Dimensions



Specification Information

Step 1.

BG10 A

Step 2. Configuration

7 single A

Prices for Steps 1-2.

BG107 \$837

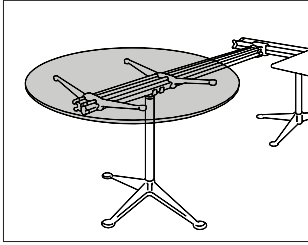
Step 3. Column Finish

91 white A +\$0

BK black A +\$0

Burdick Group™ Round Work Surface

BG122



Product Information

Description

This 48"-diameter glass work surface attaches to a beam. Attachment brackets included.

Dimensions



Specification Information

Step 1.

BG1 A

Step 2. Material

22 glass A

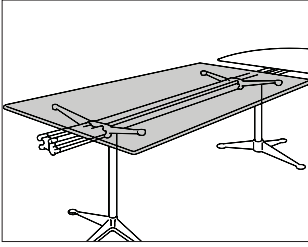
Prices for Steps 1-2.

BG122 \$2144

Step 3. Bracket Finish

91 white A +\$0
BK black A +\$0
CD polished aluminum A +\$0

Burdick Group™ Rectangular Work Surface BG120
 Surface BG121

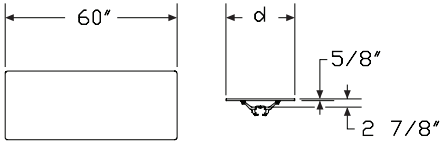


HermanMiller Collection—Tables

Product Information

Description
 This 60"-wide glass work surface attaches to a beam. Attachment brackets included.

Dimensions



Specification Information

Step 1.

BG1 A

Step 2. Material/Depth

- 21** glass and 24" deep A
- 20** glass and 36" deep A

Prices for Steps 1-2.

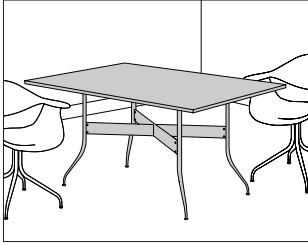
BG121	\$1616
BG120	\$2117

Step 3. Bracket Finish

- 91** white A + \$0
- BK** black A + \$0
- CD** polished aluminum A + \$0

Nelson™ Swag Leg Dining Table
Rectangular

NS585

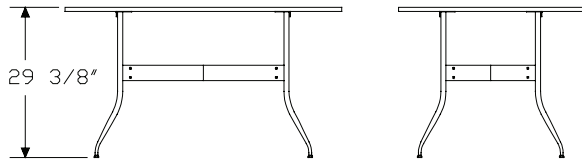
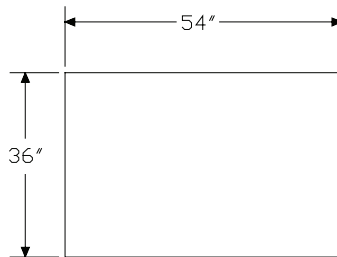


Product Information

Description

This 29³/₈"-high rectangular dining table has a white laminate top or walnut veneer top with a walnut edge band, 4 chrome-finished steel-tube legs, 2 solid walnut stretchers, and adjustable glides. Shipped knocked down.

Dimensions



Specification Information

Step 1.

NS5851 A

Step 2. Surface Material

L laminate A

W veneer A

Prices for Steps 1-2.

NS5851 L	\$1997
W	\$2528

Step 3. Surface Finish

For laminate (L)

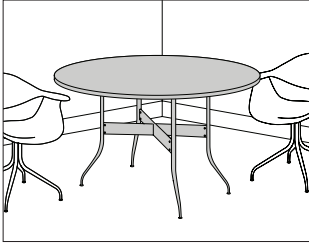
91 white A + \$0

For veneer (W)

OU walnut A + \$0

Nelson™ Swag Leg Dining Table
Round

NS585



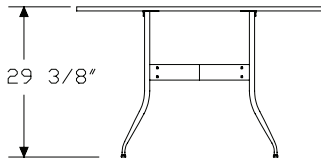
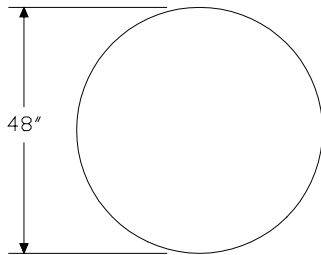
HermanMiller Collection—Tables

Product Information

Description

This 29³/₈"-high round dining table has a white laminate top or walnut veneer top with a walnut edge band, 4 chrome-finished steel-tube legs, 2 solid walnut stretchers, and adjustable glides. Shipped knocked down.

Dimensions



Specification Information

Step 1.

NS5852 A

Step 2. Surface Material

L laminate A

W veneer A

Prices for Steps 1-2.

NS5852 L	\$1997
W	\$2395

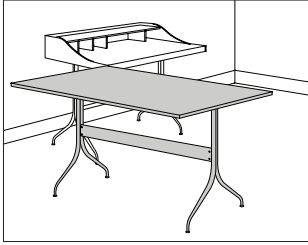
Step 3. Surface Finish

For laminate (L)

91 white A + \$0

For veneer (W)

OU walnut A + \$0

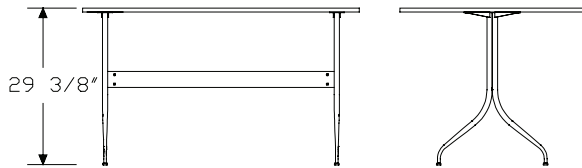
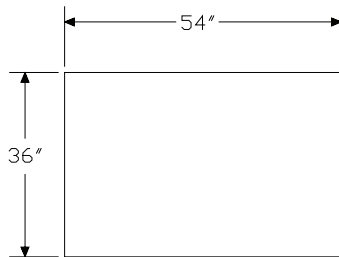


Product Information

Description

This 29³/₈"-high rectangular work table has a white laminate top or walnut veneer top with a walnut edge band, 4 chrome-finished steel-tube legs, 2 solid walnut stretchers, and adjustable glides. Shipped knocked down.

Dimensions



Specification Information

Step 1.

NS5854 A

Step 2. Surface Material

L laminate A

W veneer A

Prices for Steps 1-2.

NS5854 L	\$1997
W	\$2528

Step 3. Surface Finish

For laminate (L)

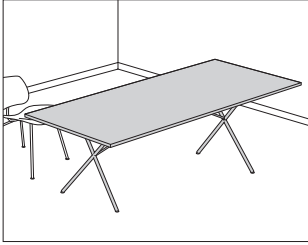
91 white A +\$0

For veneer (W)

OU walnut A +\$0

Nelson™ X-Leg Table

NX100.



HermanMiller Collection—Tables

Product Information

Description

This 28½"-high rectangular table has a laminate or veneer top with a veneer edge. Shipped knocked down.

Laminate top veneer edge colors are predetermined:

Top Color—Veneer Edge

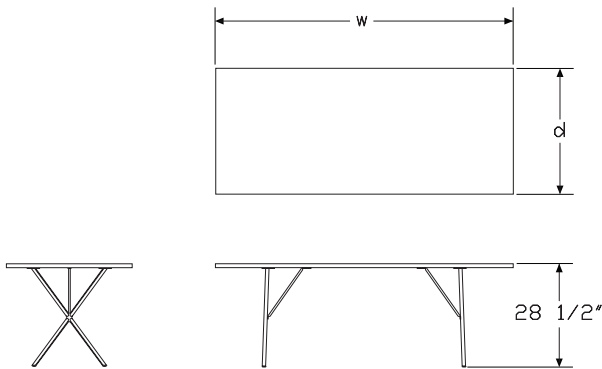
White (91)—Walnut (OU)

Studio White (98)—White Ash (A2)

Notes

Santos palisander veneer is celebrated for its unique grain and color variations. Similar products ordered in multiples or dissimilar products ordered separately should be expected to have variation in both grain and color characteristics; no two products will look exactly alike.

Dimensions



Specification Information

Step 1.

NX100. [A]

Step 2. Depth

30 30" deep [A]

36 36" deep [A]

Step 3. Width

60 60" wide [A]

72 72" wide [A]

84 84" wide [A]

Step 4. Surface Material

L laminate with veneer edge [A]

W veneer with veneer edge [A]

Prices for Steps 1-4.

		L	W
NX100. 30 60		\$1910	2122
	72	\$2122	2652
	84	\$2478	3183
36 60		\$2122	2652
	72	\$2478	3183
	84	\$2849	3660

Step 5. Top Finish

Solid-Color Laminate

For laminate with veneer edge (L)

91	white [A]					+\$0
98	studio white [A]					+\$0

Wood Veneer

For veneer with veneer edge (W)

		3060	3072	3084	3660	3672
OU	walnut [A]	+\$0	0	0	0	0
A2	white ash [A]	+\$250	265	265	265	290
9N	santos palisander [A]	+\$950	1009	1009	1009	1104
						3684
OU	walnut [A]					+\$0
A2	white ash [A]					+\$305
9N	santos palisander [A]					+\$1161

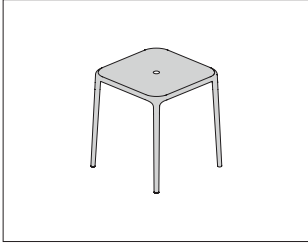
Nelson™ X-Leg Table *continued*

Step 6. Leg Finish

91	white	<input type="checkbox"/> A	+\$0
BK	black	<input type="checkbox"/> A	+\$0
47	trivalent chrome	<input type="checkbox"/> A	+\$55

Air-Table

MGA70.



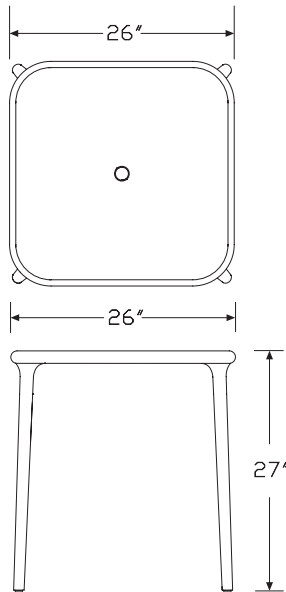
HermanMiller Collection-Tables

Product Information

Description
 This stacking and KD table is made from polypropylene with glass fibre added. It is available in a triangle or square shape. Tables can stack up to 5 high.

Notes
 This table is suitable for outdoor use.

Dimensions



Specification Information

Step 1.

MGA70. A

Step 2. Shape

S square A

Prices for Steps 1-2.

MGA70.S \$420

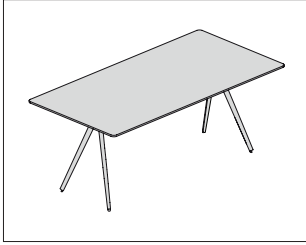
Step 3. Finish

YBB beige A +\$0

YBP white A +\$0

Baguette Table

MGG70.



Product Information

Description

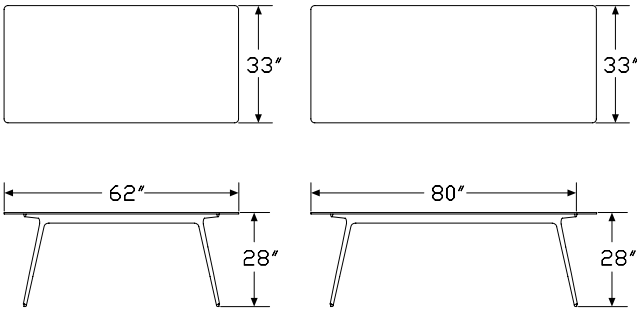
The legs of this table are cast aluminum, available polished or painted. The crosspiece is aluminum, also available polished or painted.

Notes

Painted (YCB, YCF) base with ardesia slate (YCJ) tables are suitable for outdoor use.

Other tops (WNT, YCB, YCF, YCC) and polished (YCD) base are NOT suitable for outdoor use.

Dimensions



Specification Information

Step 1.

MGG70.

Step 2. Size

3362 33" x 62" rectangular

3380 33" x 80" rectangular

Prices for Steps 1-2.

MGG70.3362	\$2108
3380	\$2313

Step 3. Frame Finish

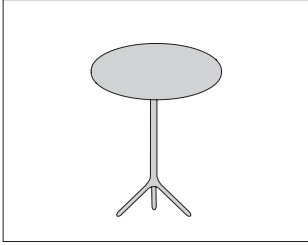
	3362	3380
YCB black <input type="checkbox"/>	+\$0	0
YCF white <input type="checkbox"/>	+\$0	0
YCD polished <input type="checkbox"/>	+\$350	351

Step 4. Top Finish

	3362	3380
WNT walnut <input type="checkbox"/>	+\$1682	2380
YCB black <input type="checkbox"/>	+\$0	0
YCF white <input type="checkbox"/>	+\$0	0
YCC extraclear glass <input type="checkbox"/>	+\$443	513
YCJ magis® ardesia slate <input type="checkbox"/>	+\$986	1022

Central Table

MGG80.



HermanMiller Collection—Tables

Product Information

Description

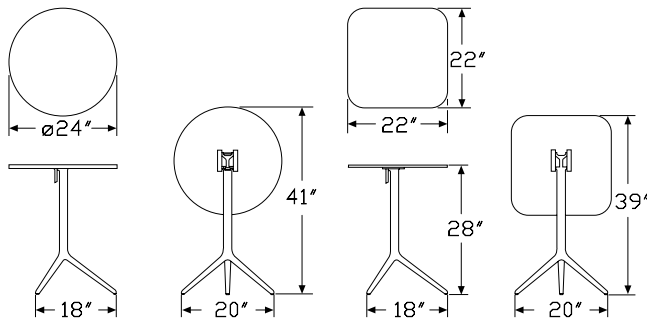
This table is available in a round or square shape. The frame is cast aluminum, available polished or painted.

Notes

For square table, polished aluminum frame is not available. Black or white finishes only.

Polished (YCD) option is NOT suitable for outdoor use.

Dimensions



Specification Information

Step 1.

MGG80. A

Step 2. Shape

R round A

S square A

Prices for Steps 1-2.

MGG80.R	\$1006
S	\$1006

Step 3. Frame/Top Finish

For round (R)

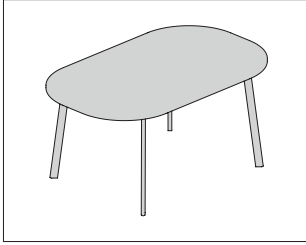
YCB black <input type="checkbox"/> A	+\$0
YCF white <input type="checkbox"/> A	+\$91
YCD polished <input type="checkbox"/> A	+\$493

For square (S)

YCB black <input type="checkbox"/> A	+\$0
YCF white <input type="checkbox"/> A	+\$91

Deja-Vu Table

MGD70.



Product Information

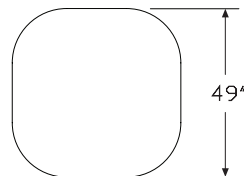
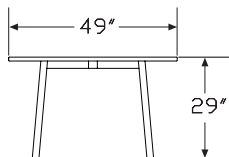
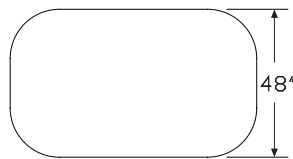
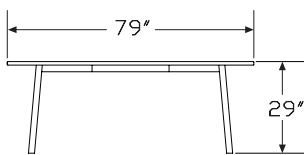
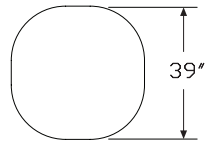
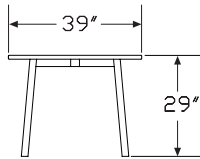
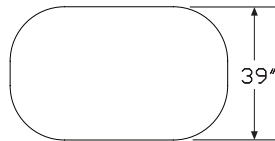
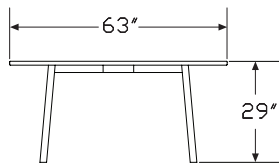
Description

This table is available in a rounded square or oval shape. Top is high pressure laminate. White top is available with polished aluminum legs.

Notes

Table thickness is $\frac{7}{8}$ ".

Dimensions



Specification Information

Step 1.

MGD70. A

Step 2. Shape

R rounded square A

V oval A

Step 3. Size

For rounded square (R)

3939 39" x 39" A

4949 49" x 49" A

For oval (V)

6336 63" x 39" A

7948 79" x 48" A

Prices for Steps 1-3.

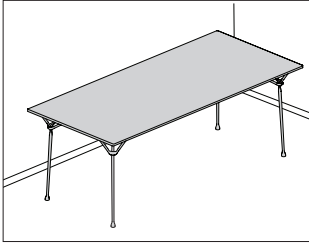
	3939	6336	4949	7948
MGD70.R	\$1675	—	2250	—
V	—	\$2145	—	2785

Step 4. Finish

YPL white top with polished aluminum legs A +\$500

Officina Table

MGQ70.



HermanMiller Collection—Tables

Product Information

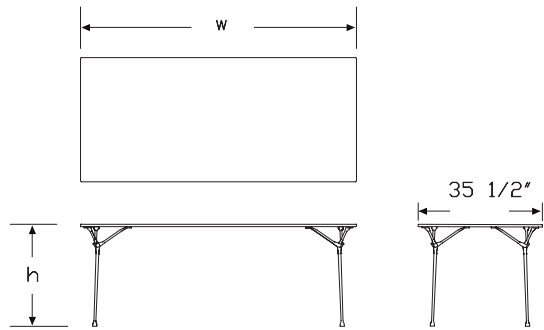
Description

This table has a wrought iron frame that is galvanized or painted grey anthracite, and comes with a choice of tops. Grey anthracite top is 0.66" thick steel, electro-galvanized and painted. Walnut and ash tops are 1" thick. Glass top is tempered, 1/2" thick. Rectangular and round tables are 29" high, and square tables are 29 1/2" high.

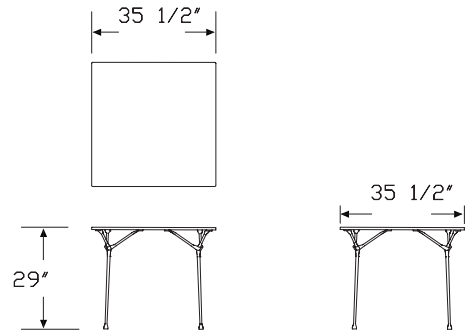
Notes

Dimensions are nominal.

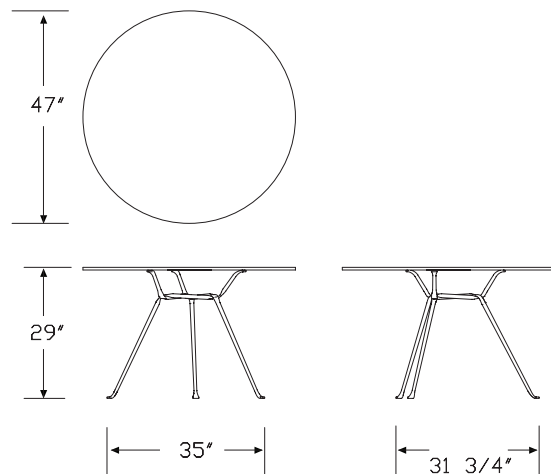
Dimensions



Rectangular table



Square table



Specification Information

Step 1.

MGQ70. A

Step 2. Shape

R rectangular A

S square A

D round A

Step 3. Size

For rectangular (R)

A 114" x 37.5" A

B 94.5" x 37.5" A

C 79" x 35.5" A

For square (S)

D 35.5" x 35.5" A

For round (D)

E 47.25" diameter A

Prices for Steps 1-3.

	A	D	E	B	C
MGQ70.	R \$5790	—	—	—	4690
4030					
S	—	\$2820	—	—	—
D	—	—	\$2440	—	—

Step 4. Frame Finish

For rectangular (R) or square (S)

GLV galvanized A +\$0

YCB grey anthracite A +\$200

For round (D)

YCB grey anthracite A +\$200

Step 5. Top Finish

For rectangular (R) or square (S) with 114" x 37.5" (A), or 35.5" x 35.5" (D), or 94.5" x 37.5" (B), or 79" x 35.5" (C) with galvanized (GLV)

YCB grey anthracite A +\$0

For rectangular (R) with 79" x 35.5" (C)

YCB grey anthracite A +\$0

WNT walnut A +\$1400

TTA thermo-treated ash A +\$970

For square (S) with 35.5" x 35.5" (D)

YCB grey anthracite A +\$0

WNT walnut A +\$860

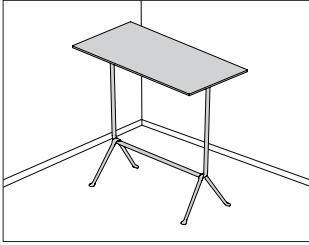
TTA thermo-treated ash A +\$650

For round (D) with 47.25" diameter (E)

SGG smoke grey glass A +\$400

Officina Bistro Table

MGQ70.



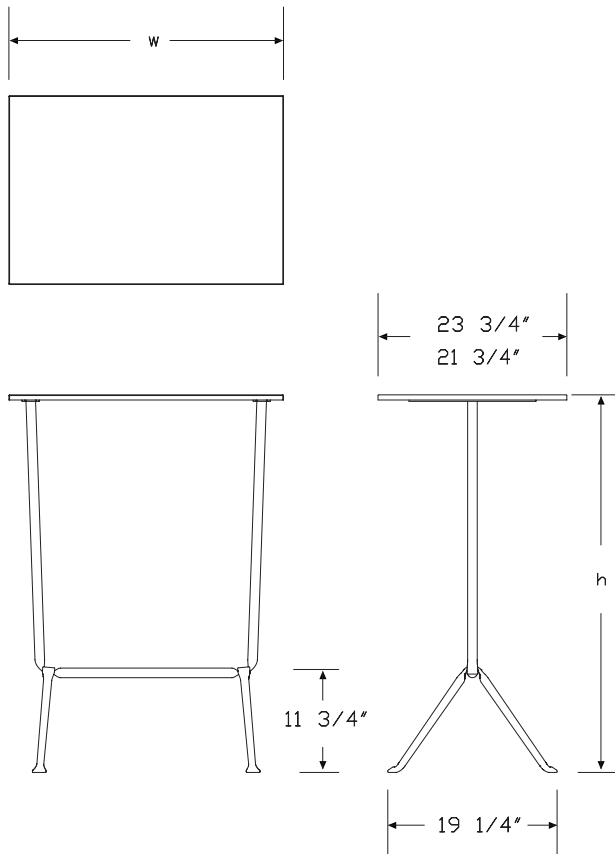
HermanMiller Collection—Tables

Product Information

Description
 This bistro table has a wrought iron frame that is galvanized or painted grey anthracite, and comes with a choice of tops. Grey anthracite top is 0.66" thick steel, electro-galvanized and painted. Walnut and ash tops are 1" thick. Available in 2 heights: 29½" high or 43½" high.

Notes
 Dimensions are nominal.

Dimensions



Specification Information

Step 1.

MGQ70.B A

Step 2. Size

- A** 31.5" L x 21.75" W x 29.5" H A
- B** 31.5" L x 21.75" W x 43.5" H A
- C** 47.25" L x 23.75" W x 29.5" H A
- D** 47.25" L x 23.75" W x 43.5" H A

Prices for Steps 1-2.

MGQ70.B A	\$1860
B	\$2085
C	\$2020
D	\$2200

Step 3. Frame Finish

- GLV** galvanized A +\$0
- YCB** grey anthracite A +\$150

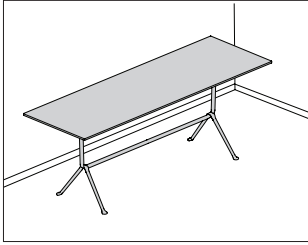
Step 4. Top Finish

For galvanized (GLV)

YCB grey anthracite <input type="checkbox"/> A					+\$0
	A	B	C	D	
YCB grey anthracite <input type="checkbox"/> A	+\$0	0	0	0	
TTA thermo-treated ash <input type="checkbox"/> A	+\$25	25	275	275	
WNT walnut <input type="checkbox"/> A	+\$125	125	430	430	

Officina Fratino Table

MGQ70.



Product Information

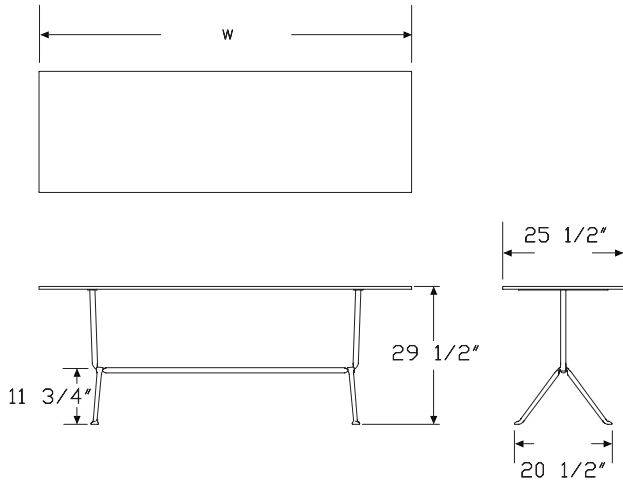
Description

This table has a wrought iron frame that is galvanized or painted grey anthracite, and comes with a choice of tops. Walnut and ash tops are 1" thick. Ardesia slate and Carrara marble tops are 3/4" thick. Table is 29 1/2" high.

Notes

Dimensions are nominal.

Dimensions



Specification Information

Step 1.

MGQ70.F A

Step 2. Size

A 63"L x 25.5"W x 29.5" H A

B 78.75"L x 25.5"W x 29.5" H A

Prices for Steps 1-2.

MGQ70.F A	\$2770
B	\$3270

Step 3. Frame Finish

GLV galvanized <input type="checkbox"/> A	+\$0
YCB grey anthracite <input type="checkbox"/> A	+\$150

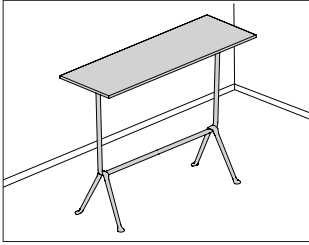
Step 4. Top Finish

For galvanized (GLV)

	A	B
YCJ ardesia slate <input type="checkbox"/> A	+\$300	525
CRR Carrara marble <input type="checkbox"/> A	+\$600	740
TTA thermo-treated ash <input type="checkbox"/> A		+\$0
YCJ ardesia slate <input type="checkbox"/> A		+\$0
WNT walnut <input type="checkbox"/> A		+\$0
CRR Carrara marble <input type="checkbox"/> A		+\$0

Officina Console Table

MGQ70.



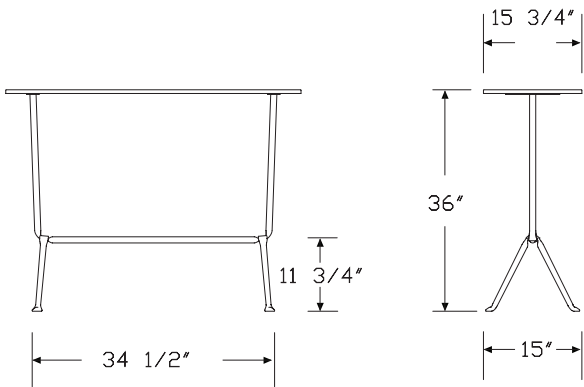
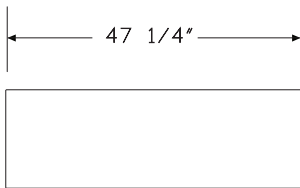
HermanMiller Collection—Tables

Product Information

Description
 This table has a wrought iron frame painted grey anthracite, and comes with a choice of tops. Walnut tops are 1" thick. Ardesia slate tops are 3/4" thick. Table is 36" high.

Notes
 Dimensions are nominal.

Dimensions



Specification Information

Step 1.

MGQ70.C A

Step 2. Size

A 47.25"L x 15.75"W x 36" H A

Prices for Steps 1-2.

MGQ70.C A \$2025

Step 3. Frame Finish

YCB grey anthracite A +\$150

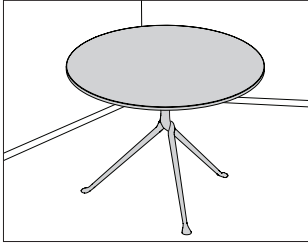
Step 4. Top Finish

YCJ ardesia slate A +\$625

WNT walnut A +\$250

Officina Pedestal Table

MGQ70.



Product Information

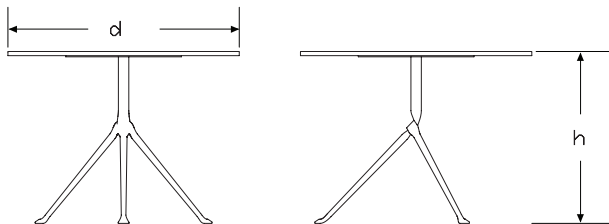
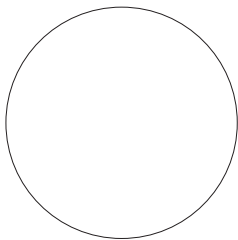
Description

This pedestal table has a wrought iron frame that is galvanized or painted grey anthracite, and comes with a choice of tops. Grey anthracite top is 0.66" thick steel, electro-galvanized and painted. Walnut and ash tops are 1" thick. Ardesia slate and Carrara marble tops are 3/4" thick. Natural beech plywood is 1/4" thick. Available in 2 heights: 29 1/2" high or 22" high.

Notes

Dimensions are nominal.

Dimensions



Specification Information

Step 1.

MGQ70. A

Step 2. Base

P pedestal A

Step 3. Size

A 39.5" D x 29.5" H A

B 31.5" D x 29.5" H A

C 21.75" D x 29.5" H A

D 16.5" D x 22" H A

Prices for Steps 1-3.

	A	B	C	D
MGQ70.	P \$2475	2169	1230	
1185				

Step 4. Frame Finish

GLV galvanized A +\$0

YCB grey anthracite A +\$75

Step 5. Top Finish

For 39.5" D x 29.5" H (A) with galvanized (GLV)

YCB grey anthracite A +\$0

YCJ ardesia slate A +\$500

CRR Carrara marble A +\$1050

For 31.5" D x 29.5" H (B) with galvanized (GLV)

YCB grey anthracite A +\$0

YCJ ardesia slate A +\$400

CRR Carrara marble A +\$600

YNC natural beech A -\$400

For 21.75" D x 29.5" H (C) or 16.5" D x 22" H (D) with galvanized (GLV)

YNC natural beech A -\$80

For 39.5" D x 29.5" H (A) with grey anthracite (YCB)

YCB grey anthracite A +\$0

TTA thermo-treated ash A +\$300

YCJ ardesia slate A +\$500

WNT walnut A +\$530

CRR Carrara marble A +\$1050

Officina Pedestal Table *continued*

HermanMiller Collection—Tables

For 31.5" D x 29.5" H (B) with grey anthracite (YCB)

YCB	grey anthracite <input type="checkbox"/> A	+\$0
TTA	thermo-treated ash <input type="checkbox"/> A	+\$75
WNT	walnut <input type="checkbox"/> A	+\$150
YNC	natural beech <input type="checkbox"/> A	-\$400

For 21.75" D x 29.5" H (C) with grey anthracite (YCB)

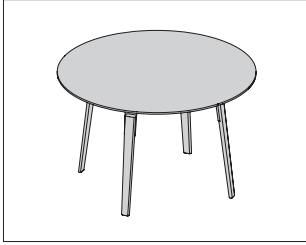
YCB	grey anthracite <input type="checkbox"/> A	+\$0
TTA	thermo-treated ash <input type="checkbox"/> A	+\$50
WNT	walnut <input type="checkbox"/> A	+\$100
YNC	natural beech <input type="checkbox"/> A	-\$80

For 16.5" D x 22" H (D) with grey anthracite (YCB)

YCB	grey anthracite <input type="checkbox"/> A	+\$0
TTA	thermo-treated ash <input type="checkbox"/> A	+\$0
WNT	walnut <input type="checkbox"/> A	+\$0
YNC	natural beech <input type="checkbox"/> A	-\$100

Steelwood Table

MGS70.



Product Information

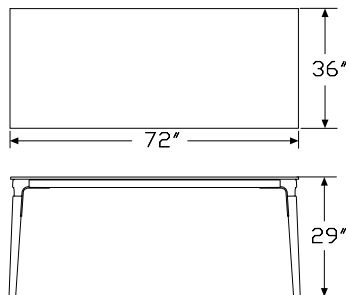
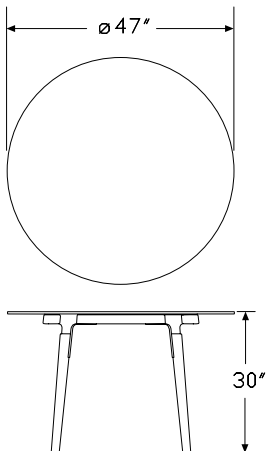
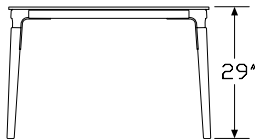
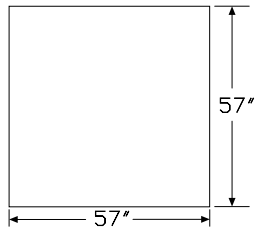
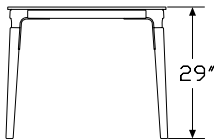
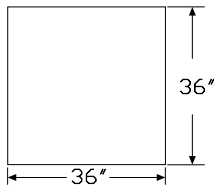
Description

This table comes in a square, round, or rectangular shape. The frame is solid beech, available in natural or painted. The top is high pressure laminate. The steel plate joints are painted in epoxy resin.

Notes

Table thickness is 7/8".

Dimensions



Specification Information

Step 1.

MGS70. A

Step 2. Shape

S3636 square, 36" x 36" A

S5757 square, 57" x 57" A

R round A

T rectangular A

Prices for Steps 1-2.

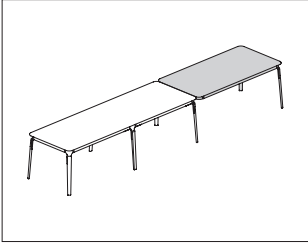
MGS70.S3636	\$1544
S5757	\$2394
R	\$1918
T	\$2147

Step 3. Frame/Top Finish

		S3636	S5757	R	T
YMH	black <input type="checkbox"/> A	+\$0	0	0	0
YMJ	white <input type="checkbox"/> A	+\$513	711	1225	1001
YMG	natural beech frame/white top <input type="checkbox"/> A	+\$513	711	1225	1001

Steelwood Table System

MG572.



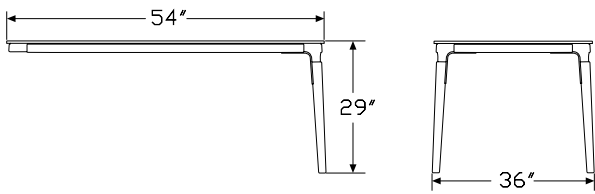
HermanMiller Collection—Tables

Product Information

Description
 This table system extension is an intermediate module that attaches to the table system basic module. It comes with a solid beech frame, available in natural or painted. The top is high pressure laminate. Steel plate joints are painted in epoxy resin.

Notes
 Order Magis Steelwood table system (MG571.) basic module separately.

Dimensions

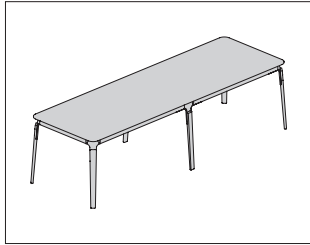


Specification Information

Step 1.		
MG572.	<input type="checkbox"/> A	\$1514
Step 2. Frame/Top Finish		
YMH	black <input type="checkbox"/> A	+\$0
YMJ	white <input type="checkbox"/> A	+\$767
YMG	natural beech frame/white top <input type="checkbox"/> A	+\$767

Steelwood Extending Table

MGS71.



Product Information

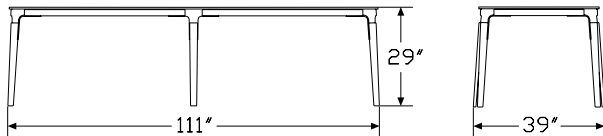
Description

This table system is a basic module with a solid beech frame, available in natural or painted. The top is high pressure laminate. Steel plate joints are painted in epoxy resin.

Notes

To extend the table system, order Magis Steelwood table system extension (MGS72.) separately.

Dimensions



Specification Information

Step 1.

MGS71. A \$3202

Step 2. Frame/Top Finish

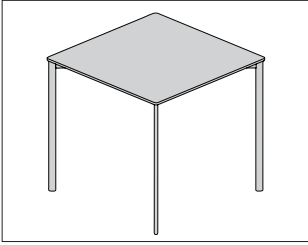
YMH black A +\$0

YMJ white A +\$1468

YMG natural beech frame/white top A +\$1468

Striped Tavolo

MGW70.

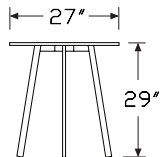
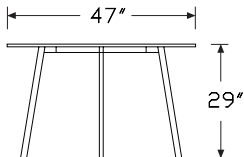
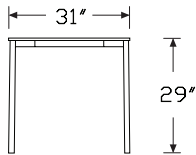
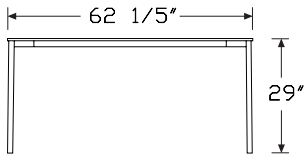


HermanMiller Collection—Tables

Product Information

Description
 This table has a steel tube frame, cathodically treated and painted in polyester powder. Top is 1/2" thick and finished in high-pressure laminate. It comes in 5 styles. Suitable for outdoor use.

Dimensions



Specification Information

Step 1.

MGW70.

Step 2. Size

- LRE** large rectangular table
- SRE** large square table
- LRO** large round table
- SRO** small round table

Prices for Steps 1-2.

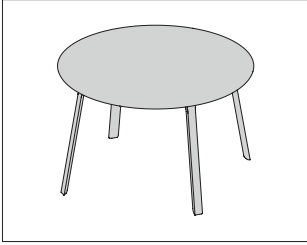
MGW70.LRE	\$1442
SRE	\$1051
LRO	\$1854
SRO	\$1030

Step 3. Top/Base Finish

YMJ white <input type="checkbox"/>	+\$650
YMH black <input type="checkbox"/>	+\$0

Table First

MGF70.



Product Information

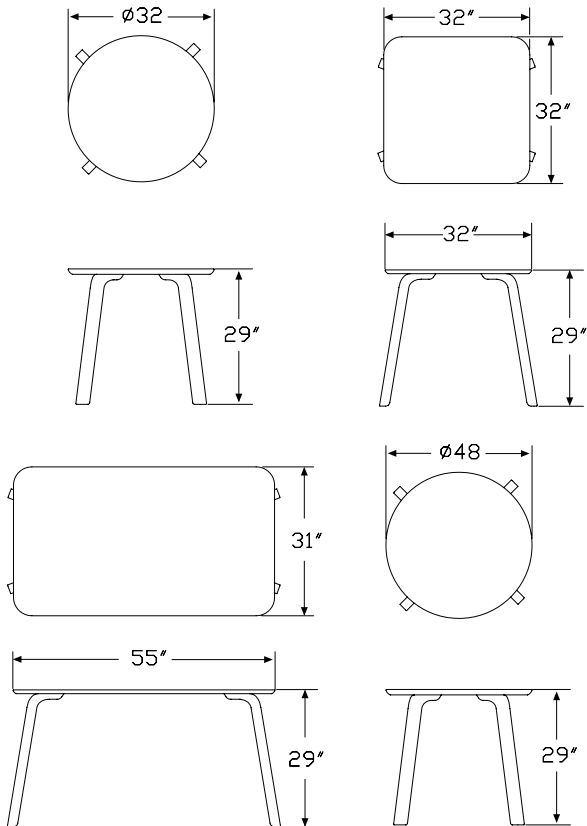
Description

The shape of this table is available in round, square, or rectangular. The table top is painted medium-density fiberboard. Legs are made from polypropylene with glass fibre added.

Notes

Top thickness is 1 1/8".

Dimensions



Specification Information

Step 1.

MGF70. [A]

Step 2. Size/Shape

- 3200** 32" round [A]
- 3232** 32" x 32" square [A]
- 3155** 31" x 55" rectangular [A]
- 4800** 48" round [A]

Prices for Steps 1-2.

MGF70.3200	\$827
3232	\$944
3155	\$1184
4800	\$1339

Step 3. Leg Finish

YGC black [A]	+\$0
YGM white [A]	+\$0

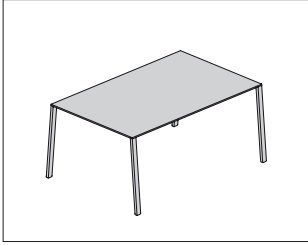
Step 4. Top Finish

For black (YGC)

YGC black [A]	+\$0
----------------------	------

For white (YGM)

YGM white [A]	+\$0
----------------------	------



Product Information

Description

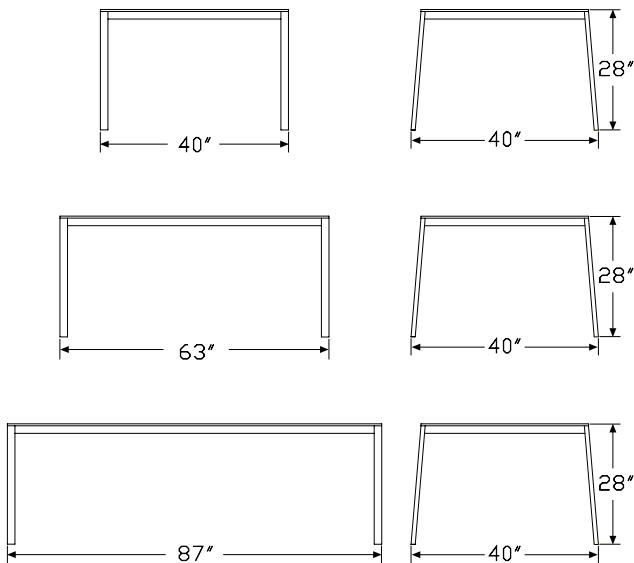
The frame of this table is an anodised aluminum tube. Joints are die-cast aluminum, available polished or painted. The top is high pressure laminate and comes in black or white. The base finish is available in polished aluminum and black.

Notes

Table thickness is 1/2".

Black (YHB) base with black (YHB) top combination is suitable for outdoor use.

Dimensions



Specification Information

Step 1.

MGE70. [A]

Step 2. Size

- 4040** 40" x 40" [A]
- 6340** 63" x 40" [A]
- 8740** 87" x 40" [A]

Prices for Steps 1-2.

MGE70.4040	\$1839
6340	\$2155
8740	\$2798

Step 3. Base Finish

- YHQ** polished aluminum [A] +\$0
- YHB** black [A] +\$0

Step 4. Top Finish

For 40" x 40" (4040) with polished aluminum (YHQ)

- YHB** black [A] +\$0
- YHP** white [A] +\$397

Step 5. Top Finish

For 63" x 40" (6340) with polished aluminum (YHQ)

- YHB** black [A] +\$0
- YHP** white [A] +\$554

Step 6. Top Finish

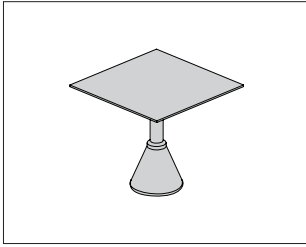
For 87" x 40" (8740) with polished aluminum (YHQ)

- YHB** black [A] +\$0
- YHP** white [A] +\$1413

Step 7. Top Finish

For black (YHB)

- YHB** black [A] +\$0



Product Information

Description

The shape of this table is available in round or square with a concrete base. The frame is an anodised aluminum tube. The top is high pressure laminate. Finishes for the top and base are available in polished aluminum and black.

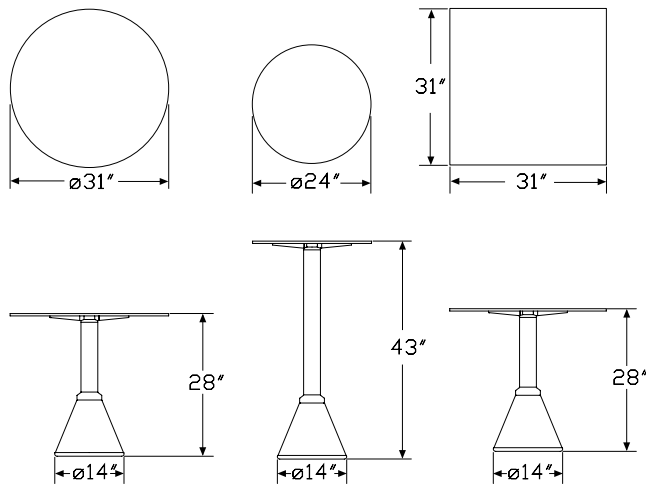
Notes

Table thickness is 1/2".

Table is suitable for outdoor use.

Polished aluminum (YHQ) base finish is NOT suitable for outdoor use.

Dimensions



Specification Information

Step 1.

MGE80. [A]

Step 2. Shape and Height

R28 round 28" high [A]

R43 round 43" high [A]

S28 square 28" high [A]

Prices for Steps 1-2.

MGE80.R28	\$1240
R43	\$1130
S28	\$1191

Step 3. Base Finish

YHQ polished aluminum [A] +\$0

YHB black [A] +\$0

Step 4. Top Finish

For polished aluminum (YHQ)

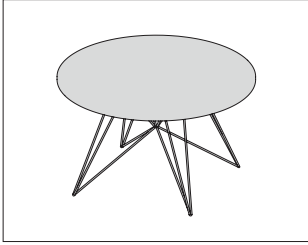
		R28	R43	S28
YHV white with black edge [A]		+\$0	0	0
YHP white [A]		+\$199	117	223

For black (YHB)

		R28	R43	S28
YHB black [A]		+\$0	11	0

Tavolo XZ3 Table

MGT70.



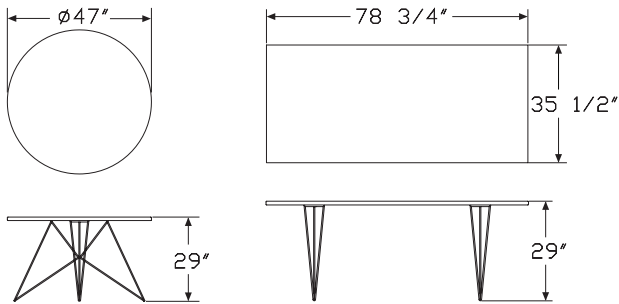
HermanMiller Collection—Tables

Product Information

Description

This table is available in a round or rectangular shape with top in Carrara marble or 1 1/8" thick painted MDF. The steel rod leg finish comes in chrome, painted white or black, or coated gold or copper.

Dimensions



Specification Information

Step 1.

MGT70.

Step 2. Shape

R round

T rectangular

Prices for Steps 1-2.

MGT70.R	\$1083
T	\$1111

Step 3. Top Finish

For round (R)

WNT walnut <input type="checkbox"/>	+\$1847
YPC white <input type="checkbox"/>	+\$0
YPD black <input type="checkbox"/>	+\$0
CRR Carrara marble <input type="checkbox"/>	+\$2837

For rectangular (T)

YPC white <input type="checkbox"/>	+\$0
YPD black <input type="checkbox"/>	+\$0

Step 4. Leg Finish

For rectangular (T)

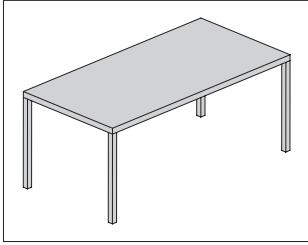
YPB chrome <input type="checkbox"/>	+\$0
YPC white <input type="checkbox"/>	+\$0
YPD black <input type="checkbox"/>	+\$0

For round (R)

YPB chrome <input type="checkbox"/>	+\$0
YPC white <input type="checkbox"/>	+\$0
YPD black <input type="checkbox"/>	+\$0
YDJ gold <input type="checkbox"/>	+\$150
YDH copper <input type="checkbox"/>	+\$150

Primo Table

MC14T.

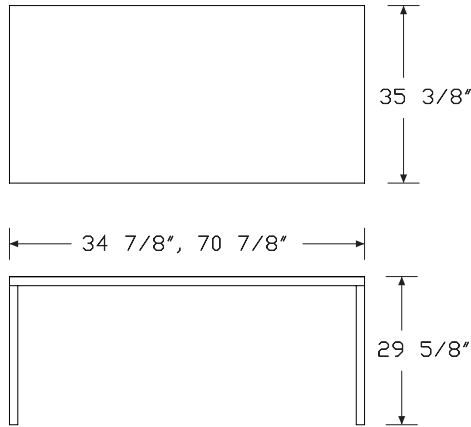


Product Information

Description

This table has a solid wood frame with a choice of veneer or FENIX NTM® top.

Dimensions



Specification Information

Step 1.

MC14T. [A]

Step 2. Size

3535 35"W x 35"L [A]

3571 35"W x 71"L [A]

Prices for Steps 1-2.

MC14T. 3535	\$2425
3571	\$2950

Step 3. Frame/Top Finish

		3535	3571
YCK	beech frame, beech veneer top [A]	+\$0	0
YOO	oak frame, oak veneer top [A]	+\$300	650
YCS	beech frame, FENIX NTM® top [A]	+\$375	1025
YOF	oak frame, FENIX NTM® top [A]	+\$525	1125

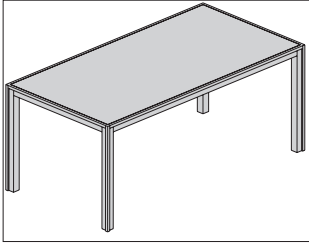
Step 4. Fenix NTM® Top Finish

For beech frame, FENIX NTM® top (YCS) or oak frame, FENIX NTM® top (YOF)

YBA	castoro ottawa [A]	+\$0
YBE	grigio Londra [A]	+\$0
YCA	grigio bromo [A]	+\$0
YCE	nero ingo [A]	+\$0

Doubleframe Table

DBL.



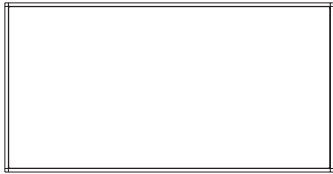
HermanMiller Collection—Tables

Product Information

Description

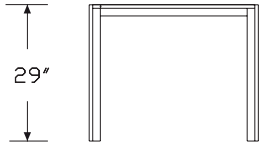
This table has a solid wood frame in oak or walnut and a 4-leg base. Top is available in matching wood or Carrara honeycomb marble. All tables are 29" high and 36" wide with length options of 70" or 92". Shipped knocked down.

Dimensions



← 36", 70", 92" →

← 36" →



29"

Specification Information

Step 1.

DBL.

Step 2. Size

3670D 36" wide x 70" long

3692D 36" wide x 92" long

Step 3. Frame Finish

LTO light oak

OU walnut

Prices for Steps 1-3.

		LTO	OU
DBL.	3670D	\$3563	3741
	3692D	\$3959	4137

Step 4. Surface Finish

For walnut (OU)

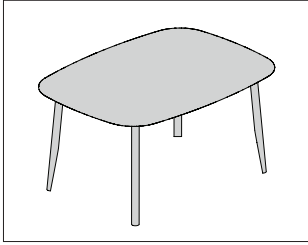
		3670D	3692D
CHM	carrara honeycomb marble <input type="checkbox"/>	+\$1940	2605
OU	walnut <input type="checkbox"/>	+\$0	0

For light oak (LTO)

		3670D	3692D
CHM	carrara honeycomb marble <input type="checkbox"/>	+\$1940	2605
LTO	light oak <input type="checkbox"/>	+\$0	0

Branca Table

MGR70.

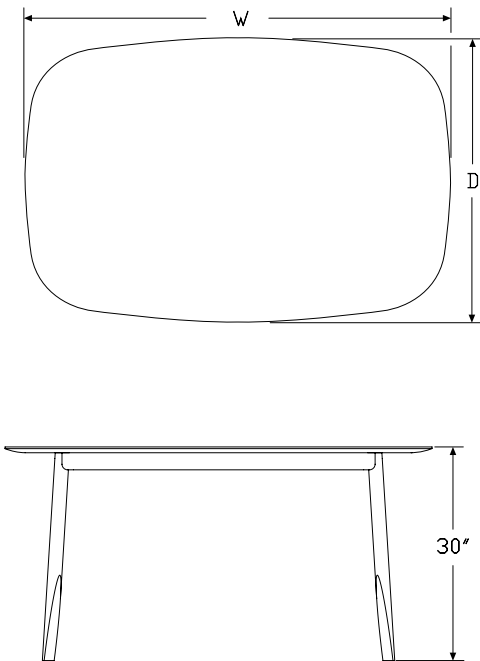


Product Information

Description

The top of this table is available in natural ash wood, or medium-density fiberboard with an anti scratch white finish. The base is made of solid ash.

Dimensions



Specification Information

Step 1.

MGR70. [A]

Step 2. Size

4359 43" x 59" [A]

4371 43" x 71" [A]

Prices for Steps 1-2.

MGR70.4359	\$3295
4371	\$3550

Step 3. Frame Finish

YRF natural wax ash [A] +\$0

Step 4. Top Finish

For 43" x 59" (4359) with natural wax ash (YRF)

YRJ mdf white lacquered [A] +\$0

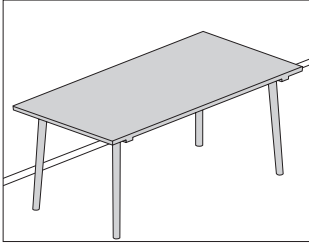
YQC natural ash [A] +\$300

For 43" x 71" (4371) with natural wax ash (YRF)

YRJ mdf white lacquered [A] +\$0

Facile Table

MC13T.



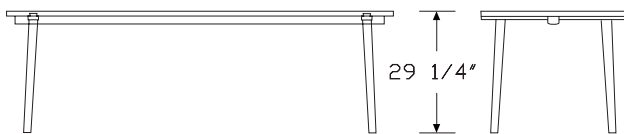
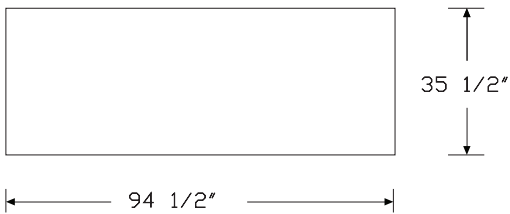
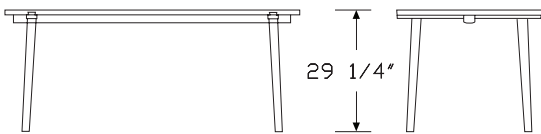
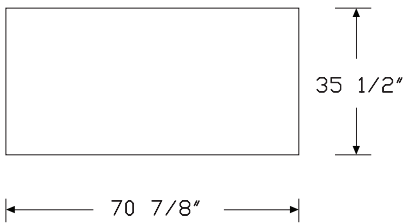
HermanMiller Collection—Tables

Product Information

Description

This table has a solid ash frame, available with a natural or black anilin finish.

Dimensions



Specification Information

Step 1.

MC13T. [A]

Step 2. Size

71 71" table [A]

95 95" table [A]

Prices for Steps 1-2.

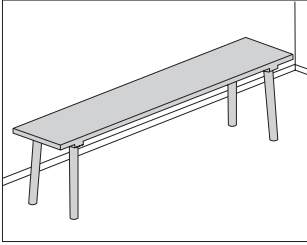
MC13T. 71	\$4600
95	\$5460

Step 3. Finish

	71	95
YQC natural ash [A]	+\$0	0
YQB black anilin ash [A]	+\$530	850

Facile Bench

MC13B.

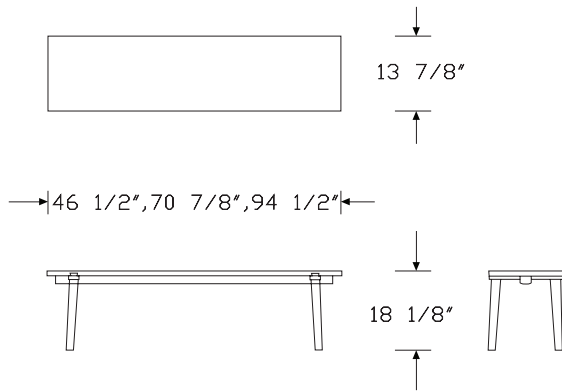


Product Information

Description

This table has a solid ash frame, available with a natural or black anilin finish.

Dimensions



Specification Information

Step 1.

MC13B. [A]

Step 2. Size

- 46** 46.5" bench [A]
- 71** 71" bench [A]
- 95** 95" bench [A]

Prices for Steps 1-2.

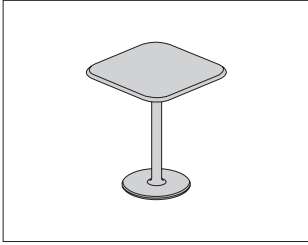
MC13B.46	\$1850
71	\$2080
95	\$2500

Step 3. Finish

		46	71	95
YQC	natural ash [A]	+\$0	0	0
YQB	black anilin ash [A]	+\$160	210	75

Solo Table

MGZ70.

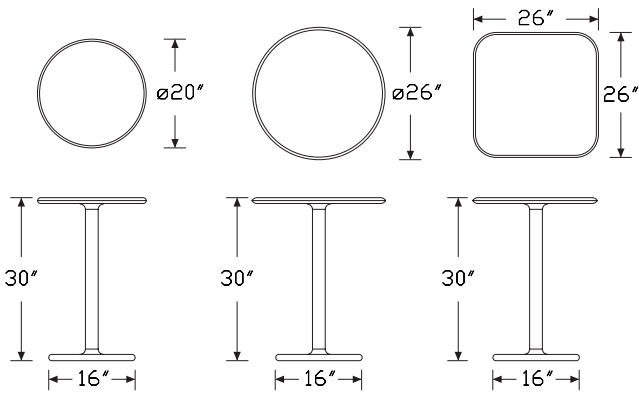


HermanMiller Collection—Tables

Product Information

Description
 This table is made of natural ash or oak. Available in 3 sizes with several color options in ash wood.

Dimensions



Specification Information

Step 1.

MGZ70.

Step 2. Size

- 2030** 20" diameter x 30" high
- 2630** 26" diameter x 30" high
- 2844** 26" wide x 26" long x 30" high

Prices for Steps 1-2.

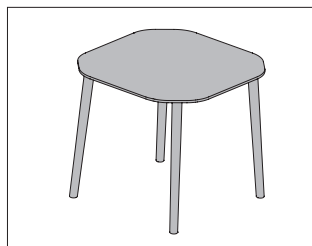
MGZ70.2030	\$1520
2630	\$1623
2844	\$1623

Step 3. Finish

ZQ1 dark red anilin ash <input type="checkbox"/>	+\$0
ZQ2 natural ash <input type="checkbox"/>	+\$0
ZQ3 anilin ash blue/black <input type="checkbox"/>	+\$0
ZQ4 anilin ash white <input type="checkbox"/>	+\$0
ZQ5 anilin ash neon blue <input type="checkbox"/>	+\$0
ZQ6 anilin ash turquoise <input type="checkbox"/>	+\$0
ZQ7 natural oak waxed <input type="checkbox"/>	+\$425

Tronco Table

MGK70.

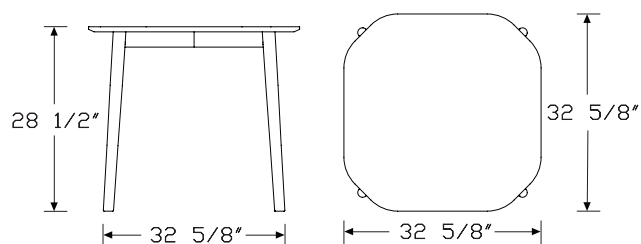


Product Information

Description

This wood table has a top constructed of solid wood strips and chamfered at the edges to mimic the silhouette of the Tronco chair. Table is available in a variety of finishes.

Dimensions



Specification Information

Step 1.

MGK70. A \$1479

Step 2. Frame

YSA ash A +\$0

Step 3. Finish

CNS chestnut stained A +\$0

WNS walnut stained A +\$0

YBC black A +\$0

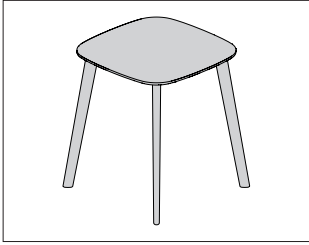
YBP white A +\$0

YNL natural A +\$0

YRL red A +\$0

Osso Table

MGJ70.



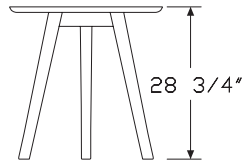
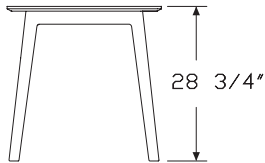
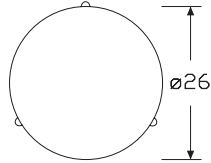
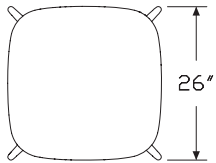
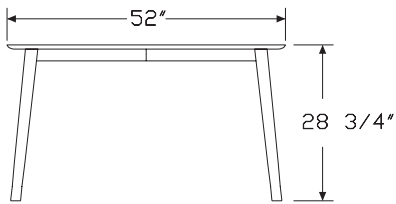
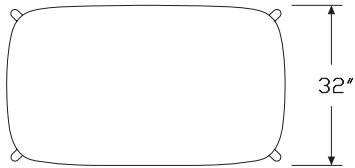
HermanMiller Collection—Tables

Product Information

Description

This is made of natural ash or oak. Available with several color options in ash wood.

Dimensions



Specification Information

Step 1.

MGJ70. A

Step 2. Size

2600 26" diameter A

2626 26" wide x 26" long A

3252 32" wide x 52" long A

Prices for Steps 1-2.

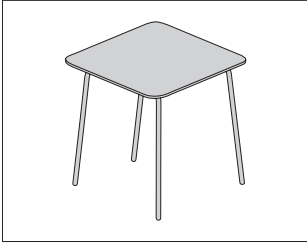
MGJ70. 2600	\$1329
2626	\$1638
3252	\$2339

Step 3. Finish

YSB black wax ash <input type="checkbox"/> A	+\$0
YSC blue wax ash <input type="checkbox"/> A	+\$0
YSD green wax ash <input type="checkbox"/> A	+\$0
YSF dark grey wax ash <input type="checkbox"/> A	+\$0
YSG natural wax ash <input type="checkbox"/> A	+\$0
YSH pink wax ash <input type="checkbox"/> A	+\$0
YSJ white wax ash <input type="checkbox"/> A	+\$0
YSL natural wax oak <input type="checkbox"/> A	+\$390

Forcina Table

MC16T.



Product Information

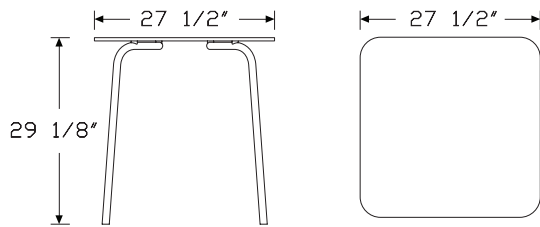
Description

This table has an oak or ash top. Ships assembled.

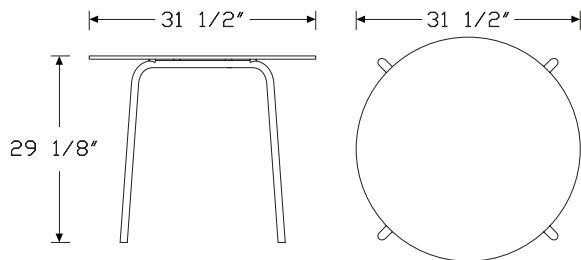
Notes

Table cannot stack.

Dimensions



Square Table



Round Table

Specification Information

Step 1.

MC16T. [A]

Step 2. Size

28S 28" square [A] +\$1875
32R 32" round [A] +\$1875

Step 3. Frame Finish

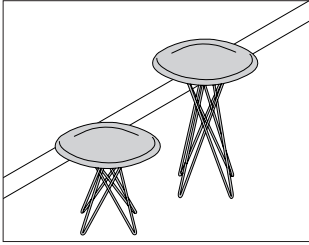
A black stainless steel [A] +\$0
N brushed stainless steel [A] +\$275

Step 4. Top Finish

YFC natural oak [A] +\$175
YQB black anilin ash [A] +\$0
YQC natural ash [A] +\$0

Pizza Table

MGG90.

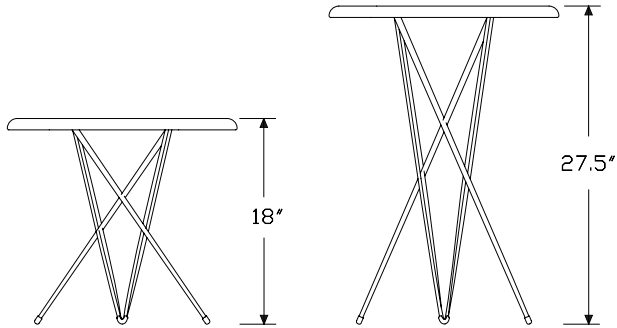
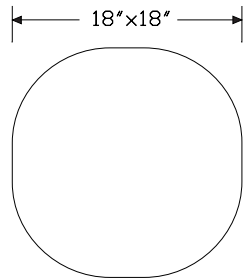


HermanMiller Collection—Tables

Product Information

Description
 This table comes in low and high heights. The frame is painted steel rod, and the top is standard injection molded glossy ABS.

Dimensions



Specification Information

Step 1.

MGG90. A

Step 2. Height

L low A

H high A

Prices for Steps 1-2.

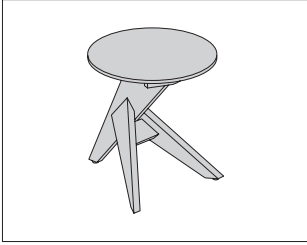
MGG90.L	\$318
H	\$353

Step 3. Finish

YCR glossy brown <input type="checkbox"/> A	+\$0
YCN glossy white <input type="checkbox"/> A	+\$0

Medici Table

MGV70.

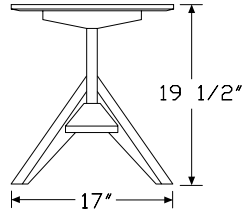
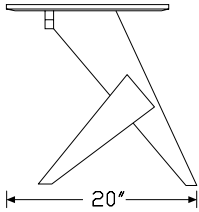


Product Information

Description

This solid wood table is available in ash, walnut and Douglas fir.

Dimensions



Specification Information

Step 1.

MGV70. A \$1040

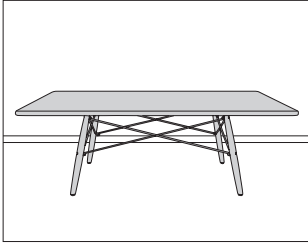
Step 2. Frame Finish

- ZQF** yellow anilin ash A +\$0
- ZQJ** grey anilin ash A +\$0
- ZPA** red anilin ash A +\$0
- ZPB** black anilin ash A +\$0
- ZQG** natural walnut waxed A +\$225

HermanMiller Collection-Tables

Eames® Coffee Table

ECT30



Product Information

Description

This 15"-high table has a 5/8"-thick veneer surface or a stone top. The dowel base has powder-coated or chrome wire and non-adjustable nylon glides. Ships fully assembled except when specifying stone top.

Notes

Stone top actual thickness is 5/9". Illustration dimension is nominal.

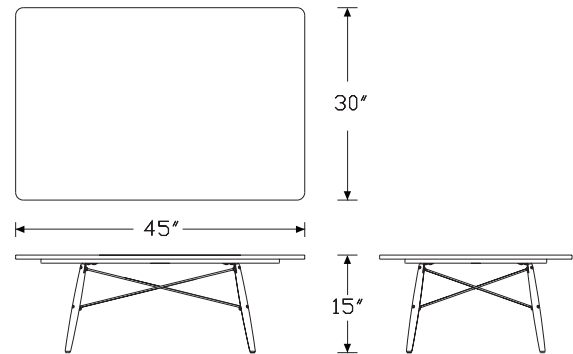
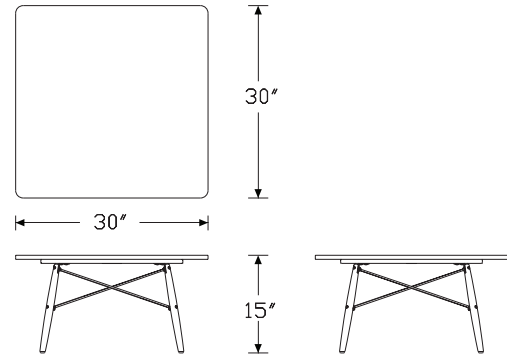
Ebony (EN) and walnut (OU) dowel legs are stained ash wood with black glides.

Natural maple (UL) and white ash (A2) dowel legs have white glides.

Natural characteristics in stone cause variations in hues, veins, crystals, and distinctive marks. These variations and subtle changes seen as the stone ages are values associated with natural materials. No two tabletops are identically the same; variations in both color and veining are to be expected. Over time the stone may fade in color, staining of the surface may appear, and surface cracks-if not already visible at time of purchase-may appear. Small cracks do not affect the structure of the tabletop.

Santos palisander veneer is celebrated for its unique grain and color variations. Similar products ordered in multiples or dissimilar products ordered separately should be expected to have variation in both grain and color characteristics; no two products will look exactly alike.

Dimensions



Specification Information

Step 1.

ECT A

Step 2. Size

3030 30" x 30" A

3045 30" x 45" A

Step 3. Top Material

V veneer A

S stone A

Prices for Steps 1-3.

ECT3030 V	\$1040
S	\$2170

ECT3045 V	\$1190
S	\$2840

Step 4. Top Finish

For veneer (V)

	3030	3045
A2 white ash <input type="checkbox"/> A	+\$30	0
EN ebony <input type="checkbox"/> A	+\$30	0
OU walnut <input type="checkbox"/> A	+\$30	50
9N santos palisander <input type="checkbox"/> A	+\$550	730

For stone (S)

CRR Carrara marble <input type="checkbox"/> A	+\$0
--	------

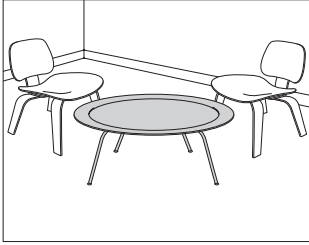
Step 5. Dowel Finish

UL natural maple <input type="checkbox"/> A	+\$0
A2 white ash <input type="checkbox"/> A	+\$30
EN ebony <input type="checkbox"/> A	+\$30
OU walnut <input type="checkbox"/> A	+\$30

Step 6. Wire Finish

91 white <input type="checkbox"/> A	+\$0
BK black <input type="checkbox"/> A	+\$0
47 trivalent chrome <input type="checkbox"/> A	+\$20

Eames® Molded Plywood Coffee Table Metal Base CTM.



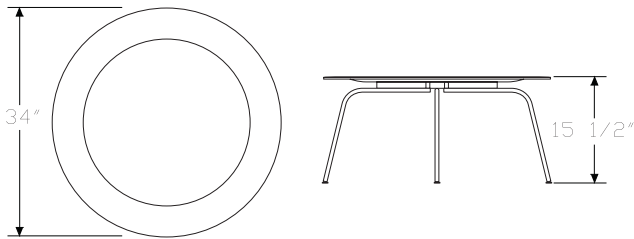
Product Information

Description
 This 15½"-high molded plywood table has natural face veneers and hardwood inner plies. It has a 5-ply, 34"-diameter top and a 4-leg metal base with self-leveling nylon glides. Shipped knocked down.

Notes

Ebony (EN) option is stain on ash veneer; inner plies are not as visible.
 Black (BK) base finish has black glides. Trivalent chrome (47) base finish has white glides.

Dimensions

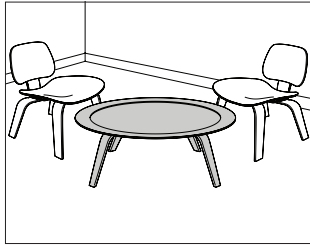


HermanMiller Collection—Occasional Tables

Specification Information

Step 1.		
CTM.	<input type="checkbox"/> A	\$1164
Step 2. Top Finish		
OU	walnut <input type="checkbox"/> A	+\$0
EN	ebony <input type="checkbox"/> A	+\$50
A2	white ash <input type="checkbox"/> A	+\$50
Step 3. Base Finish		
BK	black <input type="checkbox"/> A	+\$0
47	trivalent chrome <input type="checkbox"/> A	+\$20

Eames® Molded Plywood Coffee Table Wood Base CTW.



Product Information

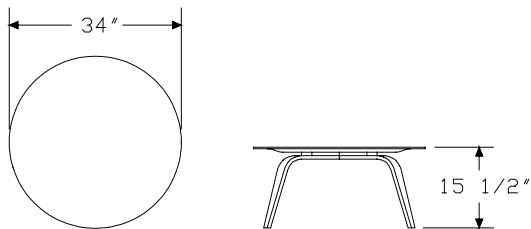
Description

This 15 1/2"-high molded plywood table has natural face veneers and hardwood inner plies. It has a 5-ply, 34"-diameter top and an 8-ply 4-leg base. Shipped knocked down.

Notes

Ebony (EN) option is stain on ash veneer; inner plies are not as visible.

Dimensions



Specification Information

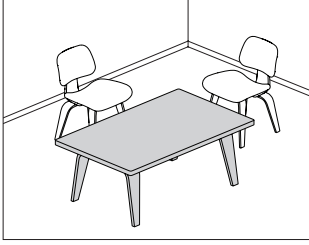
Step 1.

CTW. [A] \$1325

Step 2. Finish

EN	ebony [A]	+\$115
OU	walnut [A]	+\$0
A2	white ash [A]	+\$115

Eames® Rectangular Coffee Table CTW1.



HermanMiller Collection—Occasional Tables

Product Information

Description

This 14"-high table has a laminate top with veneer edge or a veneer top and edge with curved molded plywood veneer legs. Shipped knocked down.

Notes

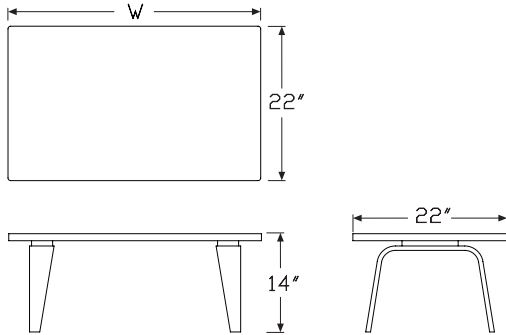
For white (91) laminate top option, veneer edge is walnut (OU).

For studio white (98) laminate top option, veneer edge is white ash (A2).

For black (BK) laminate top option, veneer edge is walnut (OU).

Ebony (EN) option is stain on ash veneer; inner plies are not as visible.

Dimensions



Specification Information

Step 1.

CTW1. [A]

Step 2. Depth/Width

2236 22" deep x 36" wide [A]

2248 22" deep x 48" wide [A]

Step 3. Surface Material

L laminate with veneer edge [A]

W veneer with veneer edge [A]

Prices for Steps 1-3.

	L	W
CTW1. 2236	\$1080	1149
2248	\$1126	1264

Step 4. Top Finish

For laminate with veneer edge (L)

91 white [A] +\$0

98 studio white [A] +\$0

BK black [A] +\$0

For veneer with veneer edge (W)

A2 white ash [A] +\$0

EN ebony [A] +\$0

OU walnut [A] +\$0

Step 5. Leg Finish

For white (91), black (BK), or walnut (OU)

OU walnut [A] +\$0

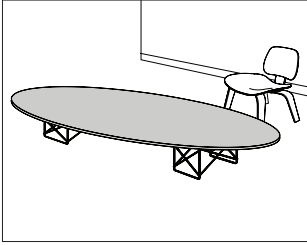
For white ash (A2) or studio white (98)

A2 white ash [A] +\$0

For ebony (EN)

EN ebony [A] +\$0

Eames® Wire Base Elliptical Table ETRT.

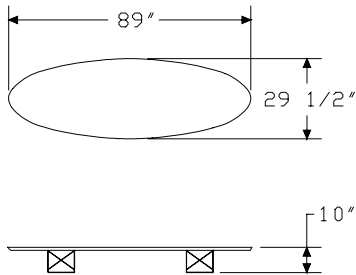


Product Information

Description

This oval table has a 7/8"-thick laminate top, a 13-ply Baltic birch core and edge, and either a powder-coated or chrome wire base.

Dimensions



Specification Information

Step 1.

ETRT. [A] \$1243

Step 2. Top Finish

91 white +\$0
98 studio white +\$0
BK black [A] +\$0

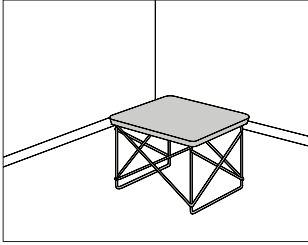
Step 3. Base Finish

47 trivalent chrome +\$0
91 white +\$0
98 studio white +\$0
BK black [A] +\$0

Herman Miller Collection—Occasional Tables

Eames® Wire Base Low Table

LTRT.



HermanMiller Collection—Occasional Tables

Product Information

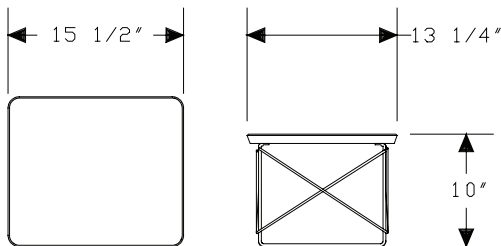
Description
This table has a 7/8"-thick laminate or veneer surface with 13-ply Baltic birch core, or 3/4"-thick stone. The base is either powder-coated or chrome wire.

Notes

Stone has a honed finish and knife edge similar in profile to the Baltic birch core edge.
Natural characteristics in stone cause variations in hues, veins, crystals, and distinctive marks. These variations and subtle changes seen as the stone ages are values associated with natural materials. No two tabletops are identically the same; variations in both color and veining are to be expected. Over time the stone may fade in color, staining of the surface may appear, and surface cracks-if not already visible at time of purchase-may appear. Small cracks do not affect the structure of the tabletop.

Santos palisander veneer is celebrated for its unique grain and color variations. Similar products ordered in multiples or dissimilar products ordered separately should be expected to have variation in both grain and color characteristics; no two products will look exactly alike.

Dimensions



Specification Information

Step 1.
LTRT. [A] \$225

Step 2. Top Finish

Solid-Color Laminate

91	white	+\$0
98	studio white	+\$0
BK	black [A]	+\$0

Wood Veneer

OU	walnut [A]	+\$100
A2	white ash [A]	+\$110
9N	santos palisander [A]	+\$255

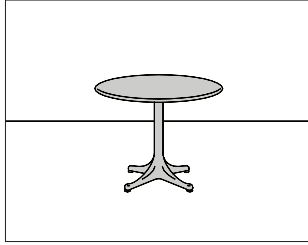
Stone

5U	georgia grey marble [A]	+\$1359
HR	wisconsin black marble [A]	+\$1419
CRR	Carrara marble [A]	+\$1289

Step 3. Base Finish

91	white	+\$0
98	studio white	+\$0
BK	black [A]	+\$0
47	trivalent chrome	+\$20

Nelson™ Pedestal Table



- 5451L 5454L
- 5451S 5454S
- 5451W 5454W
- 5452L 5455L
- 5452S 5455S
- 5452W 5455W
- 5453L
- 5453S
- 5453W

Product Information

Description

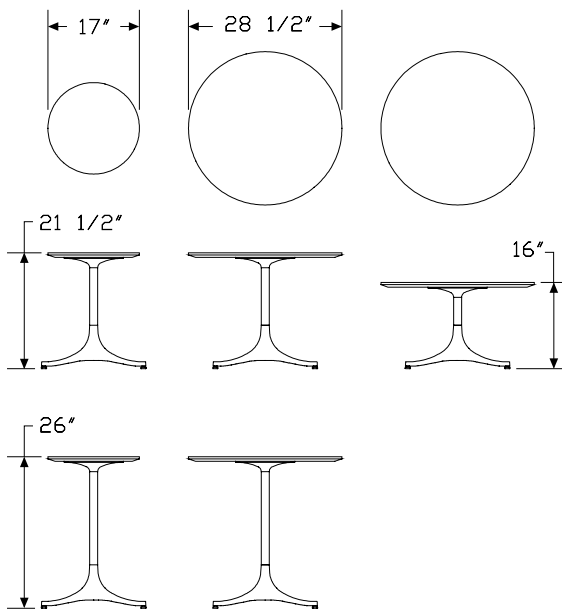
This round table has either a 7/8"-thick laminate top with a veneer edge, a veneer top and edge, or a 3/4"-thick stone top with a honed finish. Each top has a knife profile edge. Base is aluminum with adjustable glides.

Notes

Natural characteristics in stone cause variations in hues, veins, crystals, and distinctive marks. These variations and subtle changes seen as the stone ages are values associated with natural materials. No two tabletops are identically the same; variations in both color and veining are to be expected. Over time the stone may fade in color, staining of the surface may appear, and surface cracks-if not already visible at time of purchase-may appear. Small cracks do not affect the structure of the tabletop.

Santos palisander veneer is celebrated for its unique grain and color variations. Similar products ordered in multiples or dissimilar products ordered separately should be expected to have variation in both grain and color characteristics; no two products will look exactly alike.

Dimensions



Specification Information

Step 1.

545 [A]

Step 2. Height/Diameter

- 1 21 1/2" high x 17" diameter [A]
- 5 26" high x 17" diameter [A]
- 2 16" high x 28 1/2" diameter [A]
- 3 21 1/2" high x 28 1/2" diameter [A]
- 4 26" high x 28 1/2" diameter [A]

Step 3. Surface Material

- L laminate top [A]
- W veneer top [A]
- S stone top [A]

Prices for Steps 1-3.

5451L	\$821
5451W	\$950
5451S	\$2289
5455L	\$821
5455W	\$950
5455S	\$2289
5452L	\$982
5452W	\$1207
5452S	\$3651
5453L	\$982
5453W	\$1207
5453S	\$3651
5454L	\$982
5454W	\$1207
5454S	\$3651

Step 4. Base Finish

91	white [A]	+\$0
98	studio white [A]	+\$0
BK	black [A]	+\$0
L	polished aluminum [A]	+\$0

Step 5. Top Finish

For laminate top (L)

91	white [A]	+\$0
98	studio white [A]	+\$0
BK	black [A]	+\$0

Nelson™ Pedestal Table *continued*

HermanMiller Collection—Occasional Tables

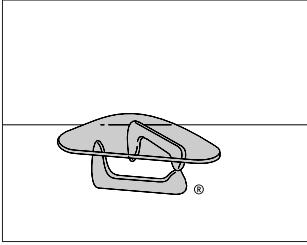
		1	5	2	3	4
<i>For veneer top (W)</i>						
OU	walnut <input type="checkbox"/> A	+\$0	0	0	0	0
A2	white ash <input type="checkbox"/> A	+\$65	65	95	95	95
9N	santos palisander <input type="checkbox"/> A	+\$215	215	361	361	361
EN	ebony stain on white ash <input type="checkbox"/> A	+\$65	65	95	95	95

		1	5	2	3	4
<i>For stone top (S)</i>						
5U	georgia grey marble <input type="checkbox"/> A	+\$225	225	360	360	360
HR	wisconsin black marble <input type="checkbox"/> A	+\$631	631	1022	1022	1022
CRR	Carrara marble <input type="checkbox"/> A	+\$100	100	285	285	285

Step 6. Edge Band Detail						
<i>For laminate top (L)</i>						
A2	white ash <input type="checkbox"/> A					+\$50
9N	santos palisander <input type="checkbox"/> A					+\$100
OU	walnut <input type="checkbox"/> A					+\$25
UL	natural maple <input type="checkbox"/> A					+\$0

Noguchi® Table

IN50

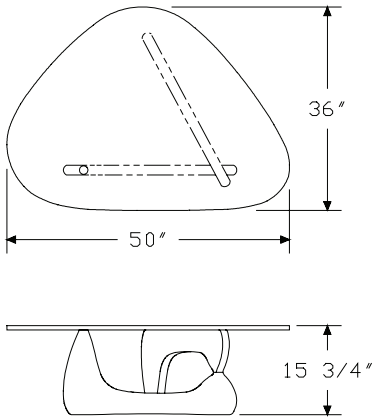


Product Information

Description

This table has a 3/4"-thick plate-glass top and a 2-piece wood base. Isamu Noguchi's signature appears on the edge of the glass top. An oval medallion with his signature and the Herman Miller logo is attached to the underside of the base. A certificate of authenticity is included with each table. Shipped knocked down.

Dimensions



Specification Information

Step 1.

IN50 A \$2142

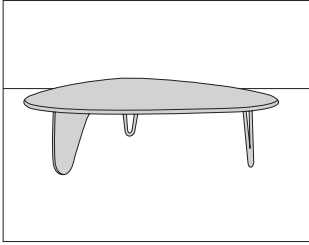
Step 2. Base Finish

E3 noguchi black A +\$50
OU walnut A +\$150
A2 white ash A +\$150

Herman Miller Collection—Occasional Tables

Noguchi® Rudder Table

IN52



Product Information

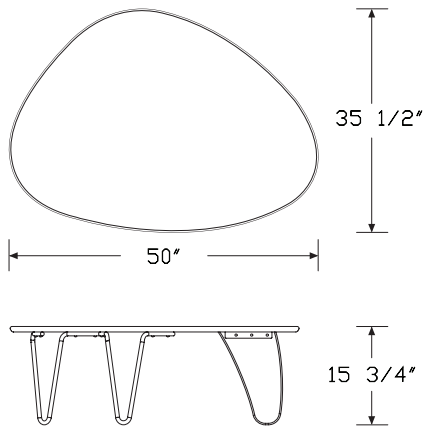
Description

This table has a 7/8"-thick top made from a Baltic birch core with veneer surface and beveled edge. Rudder leg is solid wood with veneer surface; hairpin legs are metal. Shipped knocked down.

Notes

Base finish only refers to the metal hairpin leg portion; rudder leg will follow the same species as the top finish.

Dimensions



Specification Information

Step 1.

IN52 A \$1596

Step 2. Top Finish

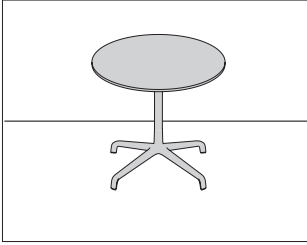
A2 white ash A +\$135

FD ebony on maple A +\$0

OU walnut A +\$135

Step 3. Base Finish

47 trivalent chrome A +\$20



Product Information

Description

This pedestal table comes in 2 heights and several top sizes with a choice of veneer, laminate, stone, or back-painted glass top with modified bullnose edge. Glass top is 1/2" thick and has a satin etch finish. Table has adjustable glides. Shipped knocked down.

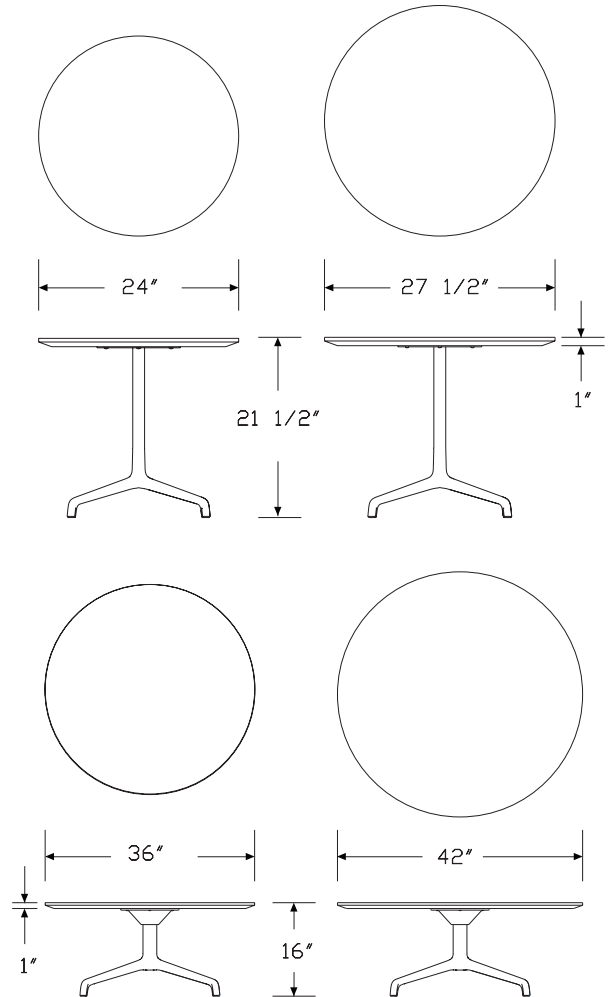
Notes

36" and 42" diameter tables may accommodate USB and power. Single center cutout, no grommet (CC) must be specified.

For power access, order round power module (ET991.) separately.

Santos palisander veneer is celebrated for its unique grain and color variations. Similar products ordered in multiples or dissimilar products ordered separately should be expected to have variation in both grain and color characteristics; no two products will look exactly alike.

Dimensions



Striad® Pedestal Table *continued*

Specification Information

Step 1.

CCL500. A

Step 2. Height/Diameter

1636 16" high x 36" diameter A

1642 16" high x 42" diameter A

2124 21.5" high x 24" diameter A

2128 21.5" high x 27.5" diameter A

Step 3. Surface Material

W veneer top with veneer edge A

G back-painted glass top A

L laminate top A

S stone top A

Step 4. Grommets

For 16" high x 36" diameter (1636) or 16" high x 42" diameter (1642)

NG no grommet A

CC single center cutout, no grommet A

CG single center cutout, with grommet A

For 21.5" high x 24" diameter (2124) or 21.5" high x 27.5" diameter (2128)

NG no grommet A

Prices for Steps 1-4.

		NG	CC	CG
CCL500.	1636 W	\$1341	1341	1353
	G	\$2922	3055	3034
	L	\$1066	1077	1089
	S	\$5049	5116	5128
	1642 W	\$1800	1800	1812
	G	\$3792	3925	3904
	L	\$1350	1361	1373
	S	\$6867	6933	6946
	2124 W	\$1094	—	—
	G	\$1872	—	—
	L	\$856	—	—
	S	\$3804	—	—
	2128 W	\$1161	—	—
	G	\$2316	—	—
	L	\$923	—	—
	S	\$4230	—	—

Step 5. Top Finish

For back-painted glass top (G) AND laminate top (L)

		1636	1642	2124	2128
91	white A	+\$0	0	0	0
8Q	folkstone grey A	+\$0	0	0	0
WN	warm grey neutral A	+\$0	0	0	0
BK	black A	+\$0	0	0	0

For veneer top with veneer edge (W)

		1636	1642	2124	2128
A2	white ash A	+\$0	0	0	0
EN	ebony A	+\$11	11	22	22
OU	walnut A	+\$11	11	22	22
9N	santos palisander A	+\$118	147	253	340

For stone top (S)

		1636	1642	2124	2128
QPL	pearl quartz A	+\$0	0	0	0
QCN	concrete quartz A	+\$0	0	0	0
CRR	Carrara marble A	+\$264	276	200	238
5U	georgia grey marble A	+\$302	313	244	276
HR	wisconsin black marble A	+\$493	511	671	982

Step 6. Grommet Finish

For 16" high x 36" diameter (1636) or 16" high x 42" diameter (1642) with single center cutout, with grommet (CG)

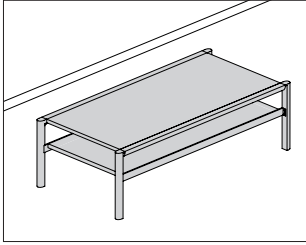
91	white A	+\$0
BK	black A	+\$0
PA	polished aluminum A	+\$0

Step 7. Base Finish

91	white A	+\$0
BK	black A	+\$0
PA	polished aluminum A	+\$0

Brabo Occasional Table

AV3AL
AV3AW
AV3WL
AV3WW

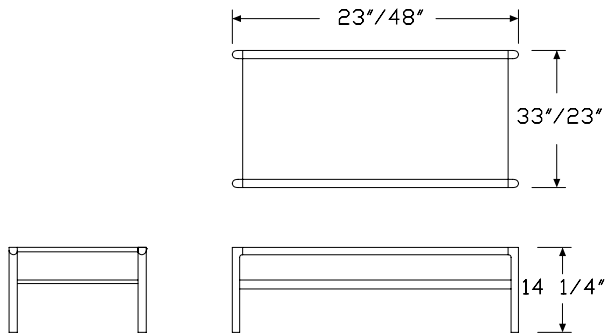


Product Information

Description

This table has a solid ash or walnut frame, and steel-plated metal in one of several metal finishes. Tops can be specified in wood veneer or leather-wrapped. Available as a side table or coffee table.

Dimensions



Specification Information

Step 1.

AV

Step 2. Table Type

- 3AL ash wood top with leather
- 3WL walnut wood top with leather
- 3AW ash wood top with wood
- 3WW walnut wood top with wood

Step 3. Size

- 332314 23" wide side table
- 234814 48" wide coffee table

Prices for Steps 1-3.

AV3AL	-332314	\$2199
	-234814	\$2397
AV3WL	-332314	\$2280
	-234814	\$2510
AV3AW	-332314	\$2199
	-234814	\$2397
AV3WW	-332314	\$2280
	-234814	\$2510

Step 4. Wood Finish

Anigre Veneer - Low Sheen

For ash wood top with leather (3AL) or ash wood top with wood (3AW)

- 967 smoked paldao, low sheen +\$0
- 969 warm paldao, low sheen +\$0

Premium Veneer - Matte

For ash wood top with leather (3AL) or ash wood top with wood (3AW)

- 66A frosty ash recograin, quarter cut, matte sheen +\$0
- 677 chocolate ash, matte sheen +\$0
- 68R recograin rosewood +\$0
- 69A recograin frosty ash +\$0
- 69R recograin rosewood +\$0
- 69T recograin teak +\$0
- 6K1 rift oak +\$0
- ET clear on ash +\$0
- EU oak on ash +\$0
- EV walnut on ash +\$0
- GOU natural walnut, flat cut, matte sheen +\$0

Brabo Occasional Table *continued*

Premium Veneer - Low Sheen		
<i>For ash wood top with leather (3AL) or ash wood top with wood (3AW)</i>		
940	sundance cherry on maple [A]	+\$0
943	caramel cherry [A]	+\$0
946	cocoa cherry [A]	+\$0
956	cocoa sapele [A]	+\$0
962	toasted walnut, low sheen [A]	+\$0
963	charred walnut, low sheen [A]	+\$0
964	bronzed walnut, low sheen [A]	+\$0
965	smoked walnut, low sheen [A]	+\$0
966	coffee walnut, low sheen [A]	+\$0
977	chocolate ash, low sheen [A]	+\$0
98R	recograin rosewood [A]	+\$0
991	champagne ash [A]	+\$0
998	ebony ash [A]	+\$0
99A	recograin frosty ash [A]	+\$0
99R	recograin rosewood [A]	+\$0
99T	recograin teak [A]	+\$0
9A1	white ash, quarter cut, low sheen [A]	+\$0
9K1	rift oak, rift cut, low sheen [A]	+\$0
9K6	burnt oak, rift cut, low sheen [A]	+\$0
ED	aged cherry [A]	+\$0
EK	medium red walnut [A]	+\$0
G2U	light brown walnut, low sheen [A]	+\$0
G40	dark brown walnut, low sheen [A]	+\$0
UX	walnut on cherry [A]	+\$0

RecoGrain Veneer		
<i>For ash wood top with leather (3AL) or ash wood top with wood (3AW)</i>		
66G	wenge recograin, quarter cut, matte sheen [A]	+\$0
68W	recograin walnut, flat cut, matte sheen [A]	+\$0
69G	recograin wenge, quarter cut, matte sheen [A]	+\$0
69W	recograin walnut, quarter cut, matte sheen [A]	+\$0

<i>For ash wood top with leather (3AL) or ash wood top with wood (3AW)</i>		
98W	recograin walnut, flat cut, low sheen [A]	+\$0
99G	recograin wenge, quarter cut, low sheen [A]	+\$0
99W	recograin walnut, quarter cut, low sheen [A]	+\$0

Matte Wood Finishes		
<i>For ash wood top with leather (3AL) or ash wood top with wood (3AW)</i>		
6A1	white ash [A]	+\$0
6K6	burnt oak [A]	+\$0

Premium Veneer - Low Sheen		
<i>For walnut wood top with leather (3WL) or walnut wood top with wood (3WW)</i>		
962	toasted walnut, low sheen [A]	+\$0
963	charred walnut, low sheen [A]	+\$0
964	bronzed walnut, low sheen [A]	+\$0
965	smoked walnut, low sheen [A]	+\$0
966	coffee walnut, low sheen [A]	+\$0
972	sundance walnut [A]	+\$0
98R	recograin rosewood [A]	+\$0
99R	recograin rosewood [A]	+\$0
EK	medium red walnut [A]	+\$0
G2U	light brown walnut, low sheen [A]	+\$0
G40	dark brown walnut, low sheen [A]	+\$0

Premium Veneer - Matte		
<i>For walnut wood top with leather (3WL) or walnut wood top with wood (3WW)</i>		
662	toasted walnut, matte sheen [A]	+\$0
663	charred walnut, matte sheen [A]	+\$0
664	bronzed walnut, matte sheen [A]	+\$0
665	smoked walnut, matte sheen [A]	+\$0
666	coffee walnut, matte sheen [A]	+\$0
667	smoked paldao, quarter cut, matte sheen [A]	+\$0
669	warm paldao, quarter cut, matte sheen [A]	+\$0
68R	recograin rosewood [A]	+\$0
69R	recograin rosewood [A]	+\$0
GOU	natural walnut, flat cut, matte sheen [A]	+\$0

Anigre Veneer - Low Sheen		
<i>For walnut wood top with leather (3WL) or walnut wood top with wood (3WW)</i>		
967	smoked paldao, low sheen [A]	+\$0
969	warm paldao, low sheen [A]	+\$0

<i>For walnut wood top with leather (3WL) or walnut wood top with wood (3WW)</i>		
66G	recograin wenge [A]	+\$0
69G	recograin wenge [A]	+\$0

<i>For walnut wood top with leather (3WL) or walnut wood top with wood (3WW)</i>		
96G	wenge recograin, quarter cut, low sheen [A]	+\$0
99G	recograin wenge, quarter cut, low sheen [A]	+\$0

Brabo Occasional Table *continued*

Step 5. Leather Top

For ash wood top with leather (3AL) AND walnut wood top with leather (3WL)

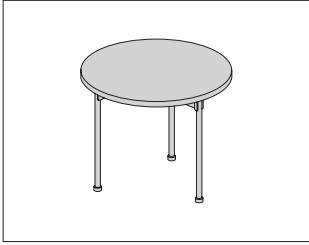
	-332314 -234814	
Price Category 11	+\$217	324

Step 6. Base Finish

BNZ	bronze <input type="checkbox"/> A	+\$0
CHR	chrome <input type="checkbox"/> A	+\$0
SAC	satin chrome <input type="checkbox"/> A	+\$0

Claw Table

ACL1A

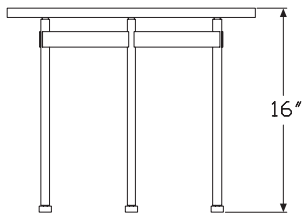
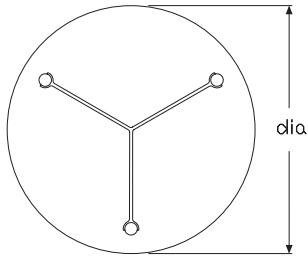


Product Information

Description

The table top is 3/4" thick clear glass with a metal base.

Dimensions



Specification Information

Step 1.

ACL1A A

Step 2. Dimensions

- 20** 20" diameter x 16" high A
- 24** 24" diameter x 16" high A
- 36** 36" diameter x 16" high A

Prices for Steps 1-2.

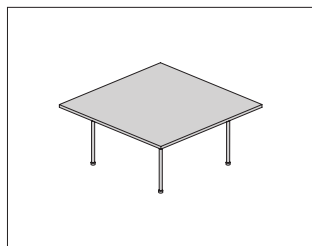
ACL1A -20	\$2061
-24	\$2270
-36	\$3300

Step 3. Base Finish

926 black <input type="checkbox"/> A	+ \$0
BNZ bronze <input type="checkbox"/> A	+ \$0
CHR chrome <input type="checkbox"/> A	+ \$0
EH metallic bronze <input type="checkbox"/> A	+ \$0
MS metallic silver <input type="checkbox"/> A	+ \$0
SAC satin chrome <input type="checkbox"/> A	+ \$0

Claw Occasional Table, Square

ACL2A

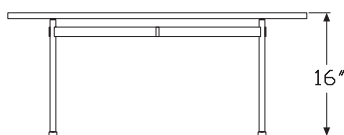
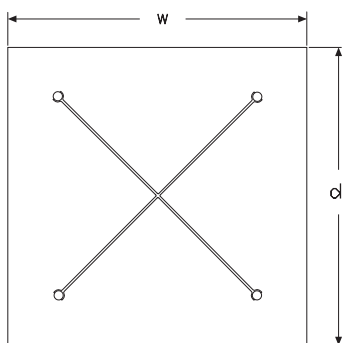


Product Information

Description

The table top is 3/4" thick clear glass with a metal base.

Dimensions



Specification Information

Step 1.

ACL2A

Step 2. Dimensions

-3636 36" square x 16" high

-4040 40" square x 16" high

Prices for Steps 1-2.

ACL2A -3636	\$3321
-4040	\$3581

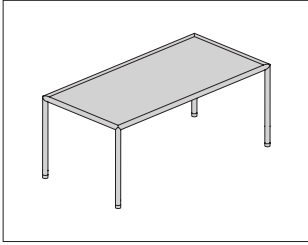
Step 3. Base Finish

926 black <input type="checkbox"/>	+\$0
BNZ bronze <input type="checkbox"/>	+\$0
CHR chrome <input type="checkbox"/>	+\$0
EH metallic bronze <input type="checkbox"/>	+\$0
MS metallic silver <input type="checkbox"/>	+\$0
SAC satin chrome <input type="checkbox"/>	+\$0

HermanMiller Collection—Occasional Tables

Full Round Table

AWR2-



Product Information

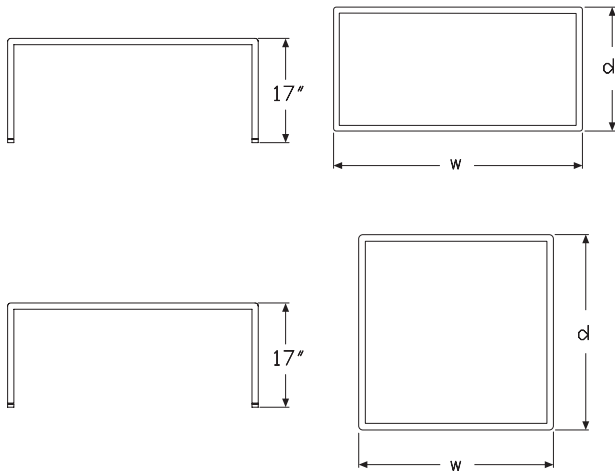
Description

This table has a wood top and metal base.

Notes

Santos palisander veneer is celebrated for its unique grain and color variations. Similar products ordered in multiples or dissimilar products ordered separately should be expected to have variation in both grain and color characteristics; no two products will look exactly alike.

Dimensions



HermanMiller Collection—Occasional Tables

Specification Information

Step 1.

AWR2

Step 2. Dimensions

- 2020 20" square x 17" high
- 2424 24" square x 17" high
- 3030 30" square x 17" high
- 3020 30" deep x 20" wide x 17" high
- 4020 40" deep x 20" wide x 17" high

Prices for Steps 1-2.

AWR2-2020	\$1674
AWR2-2424	\$1896
AWR2-3030	\$2272
AWR2-3020	\$2071
AWR2-4020	\$2215

Step 3. Wood Finish

Premium Veneer - Low Sheen

For 20" square x 17" high (-2020)

931	champagne anigre (natural) <input type="checkbox"/>	+\$670
932	sundance anigre <input type="checkbox"/>	+\$670
933	caramel anigre <input type="checkbox"/>	+\$670
934	henna anigre <input type="checkbox"/>	+\$670
941	natural beech <input type="checkbox"/>	+\$0
942	sundance cherry (natural) <input type="checkbox"/>	+\$0
943	caramel cherry <input type="checkbox"/>	+\$0
946	cocoa cherry <input type="checkbox"/>	+\$0
951	natural anigre <input type="checkbox"/>	+\$670
956	cocoa sapele <input type="checkbox"/>	+\$0
962	toasted walnut, low sheen <input type="checkbox"/>	+\$0
963	charred walnut, low sheen <input type="checkbox"/>	+\$0
964	bronzed walnut, low sheen <input type="checkbox"/>	+\$0
965	smoked walnut, low sheen <input type="checkbox"/>	+\$0
966	coffee walnut, low sheen <input type="checkbox"/>	+\$0
967	smoked paldao, low sheen <input type="checkbox"/>	+\$252
969	warm paldao, low sheen <input type="checkbox"/>	+\$252
972	sundance walnut <input type="checkbox"/>	+\$0
977	chocolate ash, low sheen <input type="checkbox"/>	+\$0
978	natural oak <input type="checkbox"/>	+\$0
981	champagne hickory (natural) <input type="checkbox"/>	+\$0
98R	recograin rosewood <input type="checkbox"/>	+\$0
991	champagne ash <input type="checkbox"/>	+\$0
998	ebony ash <input type="checkbox"/>	+\$0
99A	recograin frosty ash <input type="checkbox"/>	+\$0

Full Round Table *continued*

99R	recograin rosewood A	+\$0
99T	recograin teak A	+\$0
9A1	white ash, quarter cut, low sheen A	+\$0
9K1	rift oak, rift cut, low sheen A	+\$0
9K6	burnt oak, rift cut, low sheen A	+\$0
ED	aged cherry A	+\$0
EK	medium red walnut A	+\$0
G2U	light brown walnut, low sheen A	+\$0
G40	dark brown walnut, low sheen A	+\$0
UX	walnut on cherry A	+\$0

Premium Veneer - Matte

For 20" square x 17" high (-2020)

662	toasted walnut, matte sheen A	+\$0
663	charred walnut, matte sheen A	+\$0
664	bronzed walnut, matte sheen A	+\$0
665	smoked walnut, matte sheen A	+\$0
666	coffee walnut, matte sheen A	+\$0
667	smoked paldao, quarter cut, matte sheen A	+\$252
669	warm paldao, quarter cut, matte sheen A	+\$252
66A	recograin frosty ash A	+\$0
677	chocolate ash, matte sheen A	+\$0
678	natural oak A	+\$0
68R	recograin rosewood A	+\$0
69A	recograin frosty ash A	+\$0
69R	recograin rosewood A	+\$0
69T	recograin teak A	+\$0
6A1	white ash A	+\$0
6K1	rift oak A	+\$0
6K6	burnt oak A	+\$0
ET	clear on ash A	+\$0
EU	oak on ash A	+\$0
EV	walnut on ash A	+\$0
GOU	natural walnut, flat cut, matte sheen A	+\$0

RecoGrain Veneer

For 20" square x 17" high (-2020)

66G	recograin wenge A	-\$84
68W	recograin walnut, flat cut, matte sheen A	-\$84
69G	recograin wenge A	-\$84
69K	recograin oak, quarter cut, matte sheen A	-\$84
69W	recograin walnut, quarter cut, matte sheen A	-\$84

Recon Veneer -

For 20" square x 17" high (-2020)

96G	wenge recograin, quarter cut, low sheen A	-\$84
98W	recograin walnut, flat cut, low sheen A	-\$84
99G	recograin wenge, quarter cut, low sheen A	-\$84
99K	recograin oak, quarter cut, low sheen A	-\$84
99W	recograin walnut, quarter cut, low sheen A	-\$84

For 24" square x 17" high (-2424)

662	toasted walnut, matte sheen A	+\$0
663	charred walnut, matte sheen A	+\$0
664	bronzed walnut, matte sheen A	+\$0
665	smoked walnut, matte sheen A	+\$0
666	coffee walnut, matte sheen A	+\$0
667	smoked paldao, quarter cut, matte sheen A	+\$285
669	warm paldao, quarter cut, matte sheen A	+\$285
66A	frosty ash recograin, quarter cut, matte sheen A	+\$0
677	chocolate ash, matte sheen A	+\$0
678	natural oak A	+\$0
68R	recograin rosewood A	+\$0
69A	recograin frosty ash A	+\$0
69R	recograin rosewood A	+\$0
69T	recograin teak A	+\$0
6A1	white ash A	+\$0
6K1	rift oak A	+\$0
6K6	burnt oak A	+\$0
ET	clear on ash A	+\$0
EU	oak on ash A	+\$0
EV	walnut on ash A	+\$0
GOU	natural walnut, flat cut, matte sheen A	+\$0

For 24" square x 17" high (-2424)

66G	recograin wenge A	-\$95
68W	recograin walnut, flat cut, matte sheen A	-\$95
69G	recograin wenge A	-\$95
69K	recograin oak, quarter cut, matte sheen A	-\$95
69W	recograin walnut, quarter cut, matte sheen A	-\$95

For 24" square x 17" high (-2424)

96G	wenge recograin, quarter cut, low sheen A	-\$95
98W	recograin walnut, flat cut, low sheen A	-\$95
99G	recograin wenge, quarter cut, low sheen A	-\$95
99K	recograin oak, quarter cut, low sheen A	-\$95
99W	recograin walnut, quarter cut, low sheen A	-\$95

Full Round Table *continued*

For 24" square x 17" high (-2424)

931	champagne anigre (natural) A	+\$759
932	sundance anigre A	+\$759
933	caramel anigre A	+\$759
934	henna anigre A	+\$759
941	natural beech A	+\$0
942	sundance cherry (natural) A	+\$0
943	caramel cherry A	+\$0
946	cocoa cherry A	+\$0
951	natural anigre A	+\$759
956	cocoa sapele A	+\$0
962	toasted walnut, low sheen A	+\$0
963	charred walnut, low sheen A	+\$0
964	bronzed walnut, low sheen A	+\$0
965	smoked walnut, low sheen A	+\$0
966	coffee walnut, low sheen A	+\$0
967	smoked paldao, low sheen A	+\$285
969	warm paldao, low sheen A	+\$285
972	sundance walnut A	+\$0
977	chocolate ash, low sheen A	+\$0
978	natural oak A	+\$0
981	champagne hickory (natural) A	+\$0
98R	recograin rosewood A	+\$0
991	champagne ash A	+\$0
998	ebony ash A	+\$0
99A	recograin frosty ash A	+\$0
99R	recograin rosewood A	+\$0
99T	recograin teak A	+\$0
9A1	white ash, quarter cut, low sheen A	+\$0
9K1	rift oak, rift cut, low sheen A	+\$0
9K6	burnt oak, rift cut, low sheen A	+\$0
ED	aged cherry A	+\$0
EK	medium red walnut A	+\$0
G2U	light brown walnut, low sheen A	+\$0
G40	dark brown walnut, low sheen A	+\$0
UX	walnut on cherry A	+\$0

For 30" square x 17" high (-3030)

662	toasted walnut, matte sheen A	+\$0
663	charred walnut, matte sheen A	+\$0
664	bronzed walnut, matte sheen A	+\$0
665	smoked walnut, matte sheen A	+\$0
666	coffee walnut, matte sheen A	+\$0
667	smoked paldao, quarter cut, matte sheen A	+\$341
669	warm paldao, quarter cut, matte sheen A	+\$341
66A	recograin frosty ash A	+\$0
677	chocolate ash, matte sheen A	+\$0
678	natural oak A	+\$0
68R	recograin rosewood A	+\$0
69A	recograin frosty ash A	+\$0
69R	recograin rosewood A	+\$0
69T	recograin teak A	+\$0
6A1	white ash A	+\$0
6K1	rift oak A	+\$0
6K6	burnt oak A	+\$0
ET	clear on ash A	+\$0
EU	oak on ash A	+\$0
EV	walnut on ash A	+\$0
GOU	natural walnut, flat cut, matte sheen A	+\$0

For 30" square x 17" high (-3030)

66G	recograin wenge A	-\$114
68W	recograin walnut, flat cut, matte sheen A	-\$114
69G	recograin wenge A	-\$114
69K	recograin oak, quarter cut, matte sheen A	-\$114
69W	recograin walnut, quarter cut, matte sheen A	-\$114

For 30" square x 17" high (-3030)

96G	wenge recograin, quarter cut, low sheen A	-\$114
98W	recograin walnut, flat cut, low sheen A	-\$114
99G	recograin wenge, quarter cut, low sheen A	-\$114
99K	recograin oak, quarter cut, low sheen A	-\$114
99W	recograin walnut, quarter cut, low sheen A	-\$114

For 30" square x 17" high (-3030)

931	champagne anigre (natural) A	+\$909
932	sundance anigre A	+\$909
933	caramel anigre A	+\$909
934	henna anigre A	+\$909
941	natural beech A	+\$0
942	sundance cherry (natural) A	+\$0
943	caramel cherry A	+\$0
946	cocoa cherry A	+\$0
951	natural anigre A	+\$909

956	cocoa sapele [A]	+\$0
962	toasted walnut, low sheen [A]	+\$0
963	charred walnut, low sheen [A]	+\$0
964	bronzed walnut, low sheen [A]	+\$0
965	smoked walnut, low sheen [A]	+\$0
966	coffee walnut, low sheen [A]	+\$0
967	smoked paldao, low sheen [A]	+\$341
969	warm paldao, low sheen [A]	+\$341
972	sundance walnut [A]	+\$0
977	chocolate ash, low sheen [A]	+\$0
978	natural oak [A]	+\$0
981	champagne hickory (natural) [A]	+\$0
98R	recograin rosewood [A]	+\$0
991	champagne ash [A]	+\$0
998	ebony ash [A]	+\$0
99A	recograin frosty ash [A]	+\$0
99R	recograin rosewood [A]	+\$0
99T	recograin teak [A]	+\$0
9A1	white ash, quarter cut, low sheen [A]	+\$0
9K1	rift oak, rift cut, low sheen [A]	+\$0
9K6	burnt oak, rift cut, low sheen [A]	+\$0
ED	aged cherry [A]	+\$0
EK	medium red walnut [A]	+\$0
G2U	light brown walnut, low sheen [A]	+\$0
G40	dark brown walnut, low sheen [A]	+\$0
UX	walnut on cherry [A]	+\$0

For 30" deep x 20" wide x 17" high (-3020)

662	toasted walnut, matte sheen [A]	+\$0
663	charred walnut, matte sheen [A]	+\$0
664	bronzed walnut, matte sheen [A]	+\$0
665	smoked walnut, matte sheen [A]	+\$0
666	coffee walnut, matte sheen [A]	+\$0
667	smoked paldao, quarter cut, matte sheen [A]	+\$311
669	warm paldao, quarter cut, matte sheen [A]	+\$311
66A	recograin frosty ash [A]	+\$0
677	chocolate ash, matte sheen [A]	+\$0
678	natural oak [A]	+\$0
68R	recograin rosewood [A]	+\$0
69A	recograin frosty ash [A]	+\$0
69R	recograin rosewood [A]	+\$0
69T	recograin teak [A]	+\$0
6A1	white ash [A]	+\$0
6K1	rift oak [A]	+\$0
6K6	burnt oak [A]	+\$0
ET	clear on ash [A]	+\$0
EU	oak on ash [A]	+\$0
EV	walnut on ash [A]	+\$0
GOU	natural walnut, flat cut, matte sheen [A]	+\$0

For 30" deep x 20" wide x 17" high (-3020)

66G	recograin wenge [A]	-\$104
68W	recograin walnut, flat cut, matte sheen [A]	-\$104
69G	recograin wenge [A]	-\$104
69K	recograin oak, quarter cut, matte sheen [A]	-\$104
69W	recograin walnut, quarter cut, matte sheen [A]	-\$104

For 30" deep x 20" wide x 17" high (-3020)

96G	wenge recograin, quarter cut, low sheen [A]	-\$104
98W	recograin walnut, flat cut, low sheen [A]	-\$104
99G	recograin wenge, quarter cut, low sheen [A]	-\$104
99K	recograin oak, quarter cut, low sheen [A]	-\$104
99W	recograin walnut, quarter cut, low sheen [A]	-\$104

For 30" deep x 20" wide x 17" high (-3020)

931	champagne anigre (natural) [A]	+\$829
932	sundance anigre [A]	+\$829
933	caramel anigre [A]	+\$829
934	henna anigre [A]	+\$829
941	natural beech [A]	+\$0
942	sundance cherry (natural) [A]	+\$0
943	caramel cherry [A]	+\$0
946	cocoa cherry [A]	+\$0
951	natural anigre [A]	+\$829

Full Round Table *continued*

956	cocoa sapele A	+\$0
962	toasted walnut, low sheen A	+\$0
963	charred walnut, low sheen A	+\$0
964	bronzed walnut, low sheen A	+\$0
965	smoked walnut, low sheen A	+\$0
966	coffee walnut, low sheen A	+\$0
967	smoked paldao, low sheen A	+\$311
969	warm paldao, low sheen A	+\$311
972	sundance walnut A	+\$0
977	chocolate ash, low sheen A	+\$0
978	natural oak A	+\$0
981	champagne hickory (natural) A	+\$0
98R	recograin rosewood A	+\$0
991	champagne ash A	+\$0
998	ebony ash A	+\$0
99A	recograin frosty ash A	+\$0
99R	recograin rosewood A	+\$0
99T	recograin teak A	+\$0
9A1	white ash, quarter cut, low sheen A A	+\$0
9K1	rift oak, rift cut, low sheen A	+\$0
9K6	burnt oak, rift cut, low sheen A	+\$0
ED	aged cherry A	+\$0
EK	medium red walnut A	+\$0
G2U	light brown walnut, low sheen A	+\$0
G40	dark brown walnut, low sheen A	+\$0
UX	walnut on cherry A	+\$0

For 40" deep x 20" wide x 17" high (-4020)

662	toasted walnut, matte sheen A	+\$0
663	charred walnut, matte sheen A	+\$0
664	bronzed walnut, matte sheen A	+\$0
665	smoked walnut, matte sheen A	+\$0
666	coffee walnut, matte sheen A	+\$0
667	smoked paldao, quarter cut, matte sheen A	+\$333
669	warm paldao, quarter cut, matte sheen A	+\$333
66A	recograin frosty ash A	+\$0
677	chocolate ash, matte sheen A	+\$0
678	natural oak A	+\$0
68R	recograin rosewood A	+\$0
69A	recograin frosty ash A	+\$0
69R	recograin rosewood A	+\$0
69T	recograin teak A	+\$0
6A1	white ash A	+\$0
6K1	rift oak A	+\$0
6K6	burnt oak A	+\$0
ET	clear on ash A	+\$0
EU	oak on ash A	+\$0
EV	walnut on ash A	+\$0
GOU	natural walnut, flat cut, matte sheen A	+\$0

For 40" deep x 20" wide x 17" high (-4020)

66G	recograin wenge A	-\$111
68W	recograin walnut, flat cut, matte sheen A	-\$111
69G	recograin wenge A	-\$111
69K	recograin oak, quarter cut, matte sheen A	-\$111
69W	recograin walnut, quarter cut, matte sheen A	-\$111

For 40" deep x 20" wide x 17" high (-4020)

96G	wenge recograin, quarter cut, low sheen A	-\$111
98W	recograin walnut, flat cut, low sheen A	-\$111
99G	recograin wenge, quarter cut, low sheen A	-\$111
99K	recograin oak, quarter cut, low sheen A	-\$111
99W	recograin walnut, quarter cut, low sheen A	-\$111

For 40" deep x 20" wide x 17" high (-4020)

931	champagne anigre (natural) A	+\$886
932	sundance anigre A	+\$886
933	caramel anigre A	+\$886
934	henna anigre A	+\$886
941	natural beech A	+\$0
942	sundance cherry (natural) A	+\$0
943	caramel cherry A	+\$0
946	cocoa cherry A	+\$0
951	natural anigre A	+\$886

Full Round Table *continued*

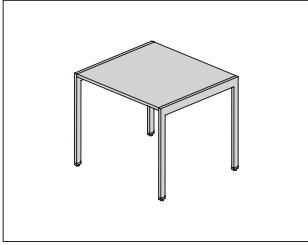
956	cocoa sapele <input type="checkbox"/>	+\$0
962	toasted walnut, low sheen <input type="checkbox"/>	+\$0
963	charred walnut, low sheen <input type="checkbox"/>	+\$0
964	bronzed walnut, low sheen <input type="checkbox"/>	+\$0
965	smoked walnut, low sheen <input type="checkbox"/>	+\$0
966	coffee walnut, low sheen <input type="checkbox"/>	+\$0
967	smoked paldao, low sheen <input type="checkbox"/>	+\$333
969	warm paldao, low sheen <input type="checkbox"/>	+\$333
972	sundance walnut <input type="checkbox"/>	+\$0
977	chocolate ash, low sheen <input type="checkbox"/>	+\$0
978	natural oak <input type="checkbox"/>	+\$0
981	champagne hickory (natural) <input type="checkbox"/>	+\$0
98R	recograin rosewood <input type="checkbox"/>	+\$0
991	champagne ash <input type="checkbox"/>	+\$0
998	ebony ash <input type="checkbox"/>	+\$0
99A	recograin frosty ash <input type="checkbox"/>	+\$0
99R	recograin rosewood <input type="checkbox"/>	+\$0
99T	recograin teak <input type="checkbox"/>	+\$0
9A1	white ash, quarter cut, low sheen <input type="checkbox"/>	+\$0
9K1	rift oak, rift cut, low sheen <input type="checkbox"/>	+\$0
9K6	burnt oak, rift cut, low sheen <input type="checkbox"/>	+\$0
ED	aged cherry <input type="checkbox"/>	+\$0
EK	medium red walnut <input type="checkbox"/>	+\$0
G2U	light brown walnut, low sheen <input type="checkbox"/>	+\$0
G40	dark brown walnut, low sheen <input type="checkbox"/>	+\$0
UX	walnut on cherry <input type="checkbox"/>	+\$0

Step 4. Base Finish

926	black <input type="checkbox"/>	+\$0
BNZ	bronze <input type="checkbox"/>	+\$0
CHR	chrome <input type="checkbox"/>	+\$0
EH	metallic bronze <input type="checkbox"/>	+\$0
MS	metallic silver <input type="checkbox"/>	+\$0
SAC	satins chrome <input type="checkbox"/>	+\$0

H-Frame Side Table

AWH2G
AWH2S
AWH2W



Product Information

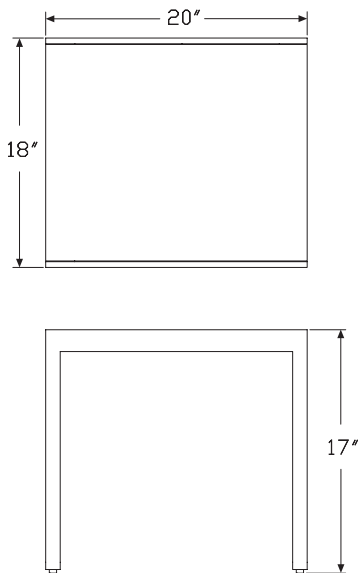
Description

This side table has a wood top and metal base. The dimensions are 18" deep, 20" wide, and 17" high.

Notes

Santos palisander veneer is celebrated for its unique grain and color variations. Similar products ordered in multiples or dissimilar products ordered separately should be expected to have variation in both grain and color characteristics; no two products will look exactly alike.

Dimensions



HermanMiller Collection—Occasional Tables

Specification Information

Step 1.

AWH2

Step 2. Top Material

- W** wood top
- G** glass top
- S** stone top

Step 3. Dimensions

-1820 18" deep x 20" wide x 17" high side table

Prices for Steps 1-3.

AWH2W -1820	\$2004
AWH2G -1820	\$1520
AWH2S -1820	\$2653

Step 4. Top Finish

Premium Veneer - Low Sheen

For wood top (W)

931	champagne anigre (natural) <input type="checkbox"/>	+\$802
932	sundance anigre <input type="checkbox"/>	+\$802
933	caramel anigre <input type="checkbox"/>	+\$802
934	henna anigre <input type="checkbox"/>	+\$802
940	sundance cherry on maple <input type="checkbox"/>	+\$0
941	natural beech <input type="checkbox"/>	+\$0
942	sundance cherry (natural) <input type="checkbox"/>	+\$0
943	caramel cherry <input type="checkbox"/>	+\$0
946	cocoa cherry <input type="checkbox"/>	+\$0
951	natural anigre <input type="checkbox"/>	+\$802
956	cocoa sapele <input type="checkbox"/>	+\$0
962	toasted walnut, low sheen <input type="checkbox"/>	+\$0
963	charred walnut, low sheen <input type="checkbox"/>	+\$0
964	bronzed walnut, low sheen <input type="checkbox"/>	+\$0
965	smoked walnut, low sheen <input type="checkbox"/>	+\$0
966	coffee walnut, low sheen <input type="checkbox"/>	+\$0
967	smoked paldao, low sheen <input type="checkbox"/>	+\$301
969	warm paldao, low sheen <input type="checkbox"/>	+\$301
972	sundance walnut <input type="checkbox"/>	+\$0
977	chocolate ash, low sheen <input type="checkbox"/>	+\$0
978	natural oak <input type="checkbox"/>	+\$0
981	champagne hickory (natural) <input type="checkbox"/>	+\$0
98R	recograin rosewood <input type="checkbox"/>	+\$0
991	champagne ash <input type="checkbox"/>	+\$0

H-Frame Side Table *continued*

998	ebony ash A	+\$0
99A	recograin frosty ash A	+\$0
99R	recograin rosewood A	+\$0
99T	recograin teak A	+\$0
9A1	white ash, quarter cut, low sheen A	+\$0
9K1	rift oak, rift cut, low sheen A	+\$0
9K6	burnt oak, rift cut, low sheen A	+\$0
ED	aged cherry A	+\$0
EK	medium red walnut A	+\$0
G2U	light brown walnut, low sheen A	+\$0
G40	dark brown walnut, low sheen A	+\$0
UX	walnut on cherry A	+\$0

Premium Veneer - Matte

For wood top (W)

662	toasted walnut, matte sheen A	+\$0
663	charred walnut, matte sheen A	+\$0
664	bronzed walnut, matte sheen A	+\$0
665	smoked walnut, matte sheen A	+\$0
666	coffee walnut, matte sheen A	+\$0
667	smoked paldao, quarter cut, matte sheen A	+\$301
669	warm paldao, quarter cut, matte sheen A	+\$301
66A	recograin frosty ash A	+\$0
677	chocolate ash, matte sheen A	+\$0
678	natural oak A	+\$0
68R	recograin rosewood A	+\$0
69A	recograin frosty ash A	+\$0
69R	recograin rosewood A	+\$0
69T	recograin teak A	+\$0
6A1	white ash A	+\$0
6K1	rift oak A	+\$0
6K6	burnt oak A	+\$0
ET	clear on ash A	+\$0
EU	oak on ash A	+\$0
EV	walnut on ash A	+\$0
GOU	natural walnut, flat cut, matte sheen A	+\$0

RecoGrain Veneer

For wood top (W)

66G	recograin wenge A	-\$101
68W	recograin walnut, flat cut, matte sheen A	-\$101
69G	recograin wenge A	-\$101
69K	recograin oak, quarter cut, matte sheen A	-\$101
69W	recograin walnut, quarter cut, matte sheen A	-\$101

Recon Veneer -

For wood top (W)

96G	wenge recograin, quarter cut, low sheen A	-\$101
98W	recograin walnut, flat cut, low sheen A	-\$101
99G	recograin wenge, quarter cut, low sheen A	-\$101
99K	recograin oak, quarter cut, low sheen A	-\$101
99W	recograin walnut, quarter cut, low sheen A	-\$101

Glass

For glass top (G)

CGL	clear glass A	+\$0
GE1	etched glass A	+\$133

For stone top (S)

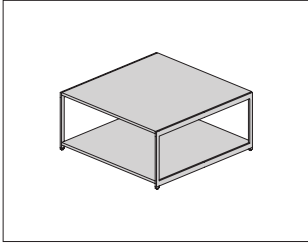
200	perfato marble A	+\$0
250	verde antique marble A	+\$0
400	black granite A	+\$0
5U	georgia grey marble A	+\$0
800	autumn brown granite A	+\$0
960	white carrara marble A	+\$0
HR	wisconsin black marble A	+\$0

Step 5. Metal Finish

BNZ	bronze A	+\$0
CHR	chrome A	+\$0
SAC	satin chrome A	+\$0

H-Frame Coffee Table

AWH2G
AWH2S
AWH2W



Product Information

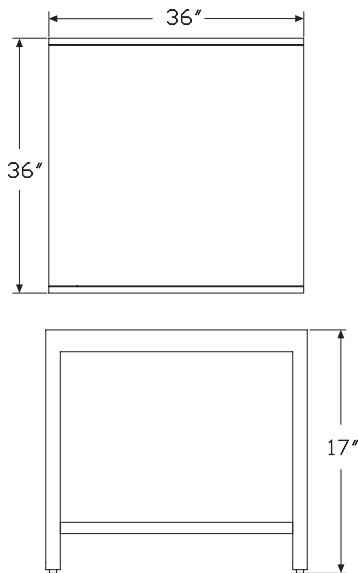
Description

This coffee table has a wood top and metal base. The dimensions are 36" deep, 36" wide, and 17" high.

Notes

Santos palisander veneer is celebrated for its unique grain and color variations. Similar products ordered in multiples or dissimilar products ordered separately should be expected to have variation in both grain and color characteristics; no two products will look exactly alike.

Dimensions



HermanMiller Collection—Occasional Tables

Specification Information

Step 1.

AWH2

Step 2. Top Material

- W** wood top
- G** glass top
- S** stone top

Step 3. Dimensions

-3636 36" deep x 36" wide x 17" high coffee table

Prices for Steps 1-3.

AWH2W -3636 \$3626

AWH2G -3636 \$3240

AWH2S -3636 \$6927

Step 4. Top Finish

For wood top (W)

931	champagne anigre (natural) <input type="checkbox"/>	+\$1451
932	sundance anigre <input type="checkbox"/>	+\$1451
933	caramel anigre <input type="checkbox"/>	+\$1451
934	henna anigre <input type="checkbox"/>	+\$1451
941	natural beech <input type="checkbox"/>	+\$0
942	sundance cherry (natural) <input type="checkbox"/>	+\$0
943	caramel cherry <input type="checkbox"/>	+\$0
946	cocoa cherry <input type="checkbox"/>	+\$0
951	natural anigre <input type="checkbox"/>	+\$1451
956	cocoa sapele <input type="checkbox"/>	+\$0
962	toasted walnut, low sheen <input type="checkbox"/>	+\$0
963	charred walnut, low sheen <input type="checkbox"/>	+\$0
964	bronzed walnut, low sheen <input type="checkbox"/>	+\$0
965	smoked walnut, low sheen <input type="checkbox"/>	+\$0
966	coffee walnut, low sheen <input type="checkbox"/>	+\$0
967	smoked paldao, low sheen <input type="checkbox"/>	+\$544
969	warm paldao, low sheen <input type="checkbox"/>	+\$544
972	sundance walnut <input type="checkbox"/>	+\$0
977	chocolate ash, low sheen <input type="checkbox"/>	+\$0
978	natural oak <input type="checkbox"/>	+\$0
981	champagne hickory (natural) <input type="checkbox"/>	+\$0
98R	recograin rosewood <input type="checkbox"/>	+\$0
991	champagne ash <input type="checkbox"/>	+\$0
998	ebony ash <input type="checkbox"/>	+\$0
99A	recograin frosty ash <input type="checkbox"/>	+\$0

H-Frame Coffee Table *continued*

99R	recograin rosewood <input type="checkbox"/>	+\$0
99T	recograin teak <input type="checkbox"/>	+\$0
9A1	white ash, quarter cut, low sheen <input type="checkbox"/>	+\$0
9K1	rift oak, rift cut, low sheen <input type="checkbox"/>	+\$0
9K6	burnt oak, rift cut, low sheen <input type="checkbox"/>	+\$0
ED	aged cherry <input type="checkbox"/>	+\$0
EK	medium red walnut <input type="checkbox"/>	+\$0
G2U	light brown walnut, low sheen <input type="checkbox"/>	+\$0
G40	dark brown walnut, low sheen <input type="checkbox"/>	+\$0
UX	walnut on cherry <input type="checkbox"/>	+\$0

For wood top (W)

662	toasted walnut, matte sheen <input type="checkbox"/>	+\$0
663	charred walnut, matte sheen <input type="checkbox"/>	+\$0
664	bronzed walnut, matte sheen <input type="checkbox"/>	+\$0
665	smoked walnut, matte sheen <input type="checkbox"/>	+\$0
666	coffee walnut, matte sheen <input type="checkbox"/>	+\$0
667	smoked paldao, quarter cut, matte sheen <input type="checkbox"/>	+\$544
669	warm paldao, quarter cut, matte sheen <input type="checkbox"/>	+\$544
66A	recograin frosty ash <input type="checkbox"/>	+\$0
677	chocolate ash, matte sheen <input type="checkbox"/>	+\$0
678	natural oak <input type="checkbox"/>	+\$0
68R	recograin rosewood <input type="checkbox"/>	+\$0
69A	recograin frosty ash <input type="checkbox"/>	+\$0
69R	recograin rosewood <input type="checkbox"/>	+\$0
69T	recograin teak <input type="checkbox"/>	+\$0
6A1	white ash <input type="checkbox"/>	+\$0
6K1	rift oak <input type="checkbox"/>	+\$0
6K6	burnt oak <input type="checkbox"/>	+\$0
ET	clear on ash <input type="checkbox"/>	+\$0
EU	oak on ash <input type="checkbox"/>	+\$0
EV	walnut on ash <input type="checkbox"/>	+\$0
GOU	natural walnut, flat cut, matte sheen <input type="checkbox"/>	+\$0

For wood top (W)

66G	recograin wenge <input type="checkbox"/>	-\$182
68W	recograin walnut, flat cut, matte sheen <input type="checkbox"/>	-\$182
69G	recograin wenge <input type="checkbox"/>	-\$182
69K	recograin oak, quarter cut, matte sheen <input type="checkbox"/>	-\$182
69W	recograin walnut, quarter cut, matte sheen <input type="checkbox"/>	-\$182

For wood top (W)

96G	wenge recograin, quarter cut, low sheen <input type="checkbox"/>	-\$182
98W	recograin walnut, flat cut, low sheen <input type="checkbox"/>	-\$182
99G	recograin wenge, quarter cut, low sheen <input type="checkbox"/>	-\$182
99K	recograin oak, quarter cut, low sheen <input type="checkbox"/>	-\$182
99W	recograin walnut, quarter cut, low sheen <input type="checkbox"/>	-\$182

Glass

For glass top (G)

CGL	clear glass <input type="checkbox"/>	+\$0
GE1	etched glass <input type="checkbox"/>	+\$133

Stone

For stone top (S)

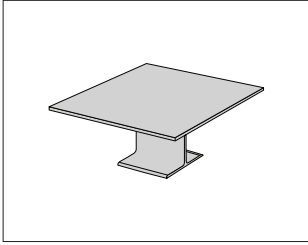
200	perfato marble <input type="checkbox"/>	+\$0
250	verde antique marble <input type="checkbox"/>	+\$0
400	black granite <input type="checkbox"/>	+\$0
5U	georgia grey marble <input type="checkbox"/>	+\$0
800	autumn brown granite <input type="checkbox"/>	+\$0
960	white carrara marble <input type="checkbox"/>	+\$0
HR	wisconsin black marble <input type="checkbox"/>	+\$0

Step 5. Metal Finish

BNZ	bronze <input type="checkbox"/>	+\$0
CHR	chrome <input type="checkbox"/>	+\$0
SAC	satin chrome <input type="checkbox"/>	+\$0

I-Beam Coffee Table

AWB2G
AWB2M

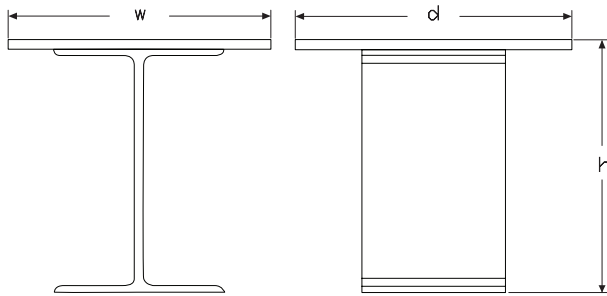


Product Information

Description

This coffee table has an aluminum base and glass top.

Dimensions



HermanMiller Collection—Occasional Tables

Specification Information

Step 1.

AWB A

Step 2. Table Type

2 coffee table A

Step 3. Top Material

M marble top A

G glass top A

Step 4. Size

For coffee table (2) with glass top (G)

-363615 36" deep x 36" wide x 15 1/4" high A

-404015 40" deep x 40" wide x 15 1/4" high A

For coffee table (2) with marble top (M)

-363616 36" deep x 36" wide x 16" high A

-404016 40" deep x 40" wide x 16" high A

Prices for Steps 1-4.

AWB2M	-363616	\$5350
	-404016	\$5850

AWB2G	-363615	\$2650
	-404015	\$2850

Step 5. Top Finish

For marble top (M)

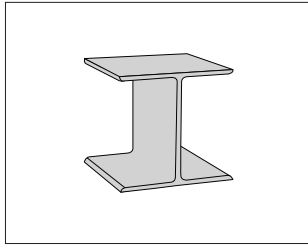
200	perfato marble <input type="checkbox"/> A	+\$0
250	verde antique marble <input type="checkbox"/> A	+\$0
400	black granite <input type="checkbox"/> A	+\$0
5U	georgia grey marble <input type="checkbox"/> A	+\$0
800	autumn brown granite <input type="checkbox"/> A	+\$0
960	white carrara marble <input type="checkbox"/> A	+\$0
HR	wisconsin black marble <input type="checkbox"/> A	+\$0

For glass top (G)

CGL	3/4" thick clear glass <input type="checkbox"/> A	+\$0
------------	---	------

I-Beam Side Table

AWB1Z

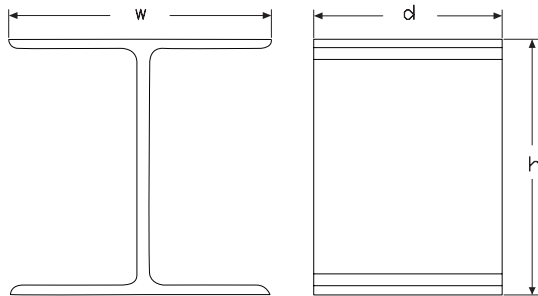


Product Information

Description

This side table has an aluminum base and no top.

Dimensions



Specification Information

Step 1.

AWB A

Step 2. Table Type

1 side table A

Step 3. Top Material

Z no top A

Step 4. Size

-161615 16" deep x 16" wide x 14¹/₂" high A

-181815 18" deep x 18" wide x 14¹/₂" high A

Prices for Steps 1-4.

AWB1Z -161615

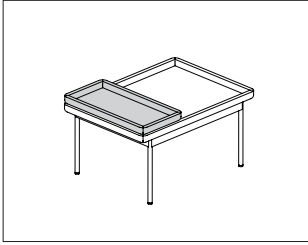
\$1725

-181815

\$1850

Tuxedo Component Lounge Tables Tray

AXT3-

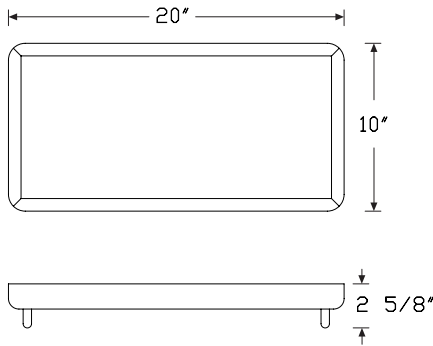


Product Information

Description

This tray comes in solid ash or walnut.

Dimensions



HermanMiller Collection—Occasional Tables

Specification Information

Step 1.

AXT3

Step 2. Depth

-10 10" deep

Step 3. Width

20 20" wide

Prices for Steps 1-3.

AXT3-10 20 \$786

Step 4. Wood Finish

Matte Finishes

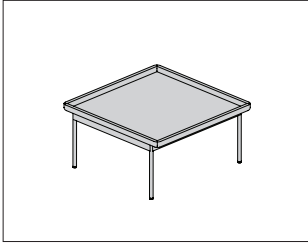
662	toasted walnut, matte sheen <input type="checkbox"/>	+\$0
663	charred walnut, matte sheen <input type="checkbox"/>	+\$0
664	bronzed walnut, matte sheen <input type="checkbox"/>	+\$0
665	smoked walnut, matte sheen <input type="checkbox"/>	+\$0
666	coffee walnut, matte sheen <input type="checkbox"/>	+\$0
667	smoked paldao, quarter cut, matte sheen <input type="checkbox"/>	+\$0
669	warm paldao, quarter cut, matte sheen <input type="checkbox"/>	+\$0
66A	recograin frosty ash <input type="checkbox"/>	+\$0
677	chocolate ash, matte sheen <input type="checkbox"/>	+\$0
68R	recograin rosewood <input type="checkbox"/>	+\$0
69A	recograin frosty ash <input type="checkbox"/>	+\$0
69R	recograin rosewood <input type="checkbox"/>	+\$0
69T	recograin teak <input type="checkbox"/>	+\$0
6K1	rift oak <input type="checkbox"/>	+\$0
ET	clear on ash <input type="checkbox"/>	+\$0
EU	oak on ash <input type="checkbox"/>	+\$0
EV	walnut on ash <input type="checkbox"/>	+\$0
GOU	natural walnut, flat cut, matte sheen <input type="checkbox"/>	+\$0
6A1	white ash <input type="checkbox"/>	+\$0
6K6	burnt oak <input type="checkbox"/>	+\$0
932	sundance anigre <input type="checkbox"/>	+\$0
933	caramel anigre <input type="checkbox"/>	+\$0
934	henna anigre <input type="checkbox"/>	+\$0
940	sundance cherry on maple <input type="checkbox"/>	+\$0
962	toasted walnut, low sheen <input type="checkbox"/>	+\$0
963	charred walnut, low sheen <input type="checkbox"/>	+\$0
964	bronzed walnut, low sheen <input type="checkbox"/>	+\$0
965	smoked walnut, low sheen <input type="checkbox"/>	+\$0
966	coffee walnut, low sheen <input type="checkbox"/>	+\$0
967	smoked paldao, low sheen <input type="checkbox"/>	+\$0
969	warm paldao, low sheen <input type="checkbox"/>	+\$0

Tuxedo Component Lounge Tables Tray *continued*

972	sundance walnut	A	+\$0
977	chocolate ash, low sheen	A	+\$0
98R	recograin rosewood	A	+\$0
991	champagne ash	A	+\$0
99A	recograin frosty ash	A	+\$0
99R	recograin rosewood	A	+\$0
99T	recograin teak	A	+\$0
9A1	white ash, quarter cut, low sheen	A	+\$0
9K1	rift oak, rift cut, low sheen	A	+\$0
9K6	burnt oak, rift cut, low sheen	A	+\$0
G2U	light brown walnut, low sheen	A	+\$0
G40	dark brown walnut, low sheen	A	+\$0
UX	walnut on cherry	A	+\$0
943	caramel cherry	A	+\$0
946	cocoa cherry	A	+\$0
956	cocoa sapele	A	+\$0
998	ebony ash	A	+\$0
ED	aged cherry	A	+\$0
EK	medium red walnut	A	+\$0
66G	recograin wenge	A	+\$0
68W	recograin walnut, flat cut, matte sheen	A	+\$0
69G	recograin wenge	A	+\$0
69W	recograin walnut, quarter cut, matte sheen	A	+\$0
96G	wenge recograin, quarter cut, low sheen	A	+\$0
98W	recograin walnut, flat cut, low sheen	A	+\$0
99G	recograin wenge, quarter cut, low sheen	A	+\$0
99W	recograin walnut, quarter cut, low sheen	A	+\$0

Tuxedo Component Lounge Tables Square

AXW2-

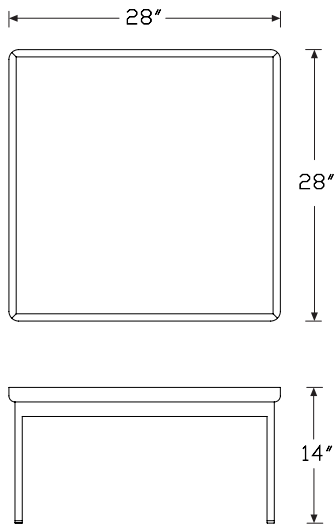


Product Information

Description

This square table has a steel plated metal base with a solid ash or walnut top 1½" thick.

Dimensions



HermanMiller Collection—Occasional Tables

Specification Information

Step 1.

AXW2

Step 2. Depth

-28 28" deep

Step 3. Width

28 28" wide

Prices for Steps 1-3.

AXW2-28 28 \$1648

Step 4. Wood Finish

Matte Finishes

662	toasted walnut, matte sheen <input type="checkbox"/>	+\$0
663	charred walnut, matte sheen <input type="checkbox"/>	+\$0
664	bronzed walnut, matte sheen <input type="checkbox"/>	+\$0
665	smoked walnut, matte sheen <input type="checkbox"/>	+\$0
666	coffee walnut, matte sheen <input type="checkbox"/>	+\$0
667	smoked paldao, quarter cut, matte sheen <input type="checkbox"/>	+\$0
669	warm paldao, quarter cut, matte sheen <input type="checkbox"/>	+\$0
66A	frosty ash recograin, quarter cut, matte sheen <input type="checkbox"/>	+\$0
677	chocolate ash, matte sheen <input type="checkbox"/>	+\$0
68R	recograin rosewood <input type="checkbox"/>	+\$0
69A	recograin frosty ash <input type="checkbox"/>	+\$0
69R	recograin rosewood <input type="checkbox"/>	+\$0
69T	recograin teak <input type="checkbox"/>	+\$0
6K1	rift oak <input type="checkbox"/>	+\$0
ET	clear on ash <input type="checkbox"/>	+\$0
EU	oak on ash <input type="checkbox"/>	+\$0
EV	walnut on ash <input type="checkbox"/>	+\$0
GOU	natural walnut, flat cut, matte sheen <input type="checkbox"/>	+\$0
6A1	white ash <input type="checkbox"/>	+\$0
6K6	burnt oak <input type="checkbox"/>	+\$0

Tuxedo Component Lounge

Tables Square *continued*

Premium Veneer - Low Sheen

932	sundance anigre [A]	+\$0
933	caramel anigre [A]	+\$0
934	henna anigre [A]	+\$0
940	sundance cherry on maple [A]	+\$0
962	toasted walnut, low sheen [A]	+\$0
963	charred walnut, low sheen [A]	+\$0
964	bronzed walnut, low sheen [A]	+\$0
965	smoked walnut, low sheen [A]	+\$0
966	coffee walnut, low sheen [A]	+\$0
967	smoked paldao, low sheen [A]	+\$0
969	warm paldao, low sheen [A]	+\$0
972	sundance walnut [A]	+\$0
977	chocolate ash, low sheen [A]	+\$0
98R	recograin rosewood [A]	+\$0
991	champagne ash [A]	+\$0
99A	recograin frosty ash [A]	+\$0
99R	recograin rosewood [A]	+\$0
99T	recograin teak [A]	+\$0
9A1	white ash, quarter cut, low sheen [A]	+\$0
9K1	rift oak, rift cut, low sheen [A]	+\$0
9K6	burnt oak, rift cut, low sheen [A]	+\$0
G2U	light brown walnut, low sheen [A]	+\$0
G40	dark brown walnut, low sheen [A]	+\$0
UX	walnut on cherry [A]	+\$0
943	caramel cherry [A]	+\$0
946	cocoa cherry [A]	+\$0
956	cocoa sapele [A]	+\$0
998	ebony ash [A]	+\$0
ED	aged cherry [A]	+\$0
EK	medium red walnut [A]	+\$0

RecoGrain Veneer

66G	recograin wenge [A]	+\$0
68W	recograin walnut, flat cut, matte sheen [A]	+\$0
69G	recograin wenge [A]	+\$0
69W	recograin walnut, quarter cut, matte sheen [A]	+\$0

Recon Veneer -

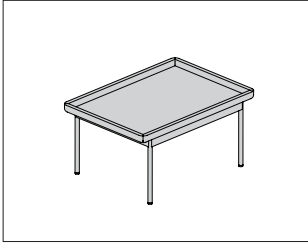
96G	wenge recograin, quarter cut, low sheen [A]	+\$0
98W	recograin walnut, flat cut, low sheen [A]	+\$0
99G	recograin wenge, quarter cut, low sheen [A]	+\$0
99W	recograin walnut, quarter cut, low sheen [A]	+\$0

Step 5. Base Finish

926	black [A]	+\$0
AS	arctic silver [A]	+\$0
WHT	white [A]	+\$0
BNZ	bronze [A]	+\$307
CHR	chrome [A]	+\$307
SAC	satin chrome [A]	+\$307

Tuxedo Component Lounge Tables Rectangular

AXW3-

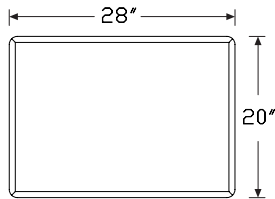


Product Information

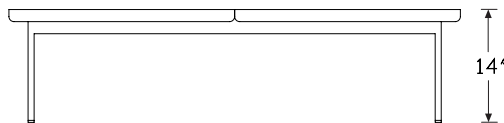
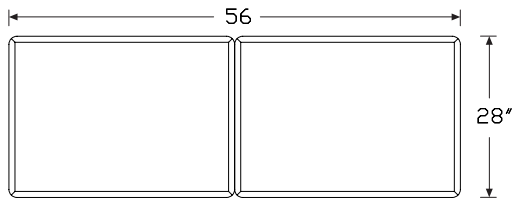
Description

This rectangular table has a steel plated metal base with a 1-piece or 2-piece solid ash or walnut top 1½" thick.

Dimensions



Tuxedo One Piece Table



Tuxedo Two Piece Tables

Specification Information

Step 1.

AXW3 A

Step 2. Depth

-20 20" deep A

-28 28" deep A

Step 3. Width

For 20" deep (-20)

28 28" wide, one piece A

For 28" deep (-28)

56 56" wide, two pieces A

Prices for Steps 1-3.

AXW3-20 28 \$1459

AXW3-28 56 \$2749

Step 4. Wood Finish

Matte Finishes

662	toasted walnut, matte sheen <input type="checkbox"/> A	+\$0
663	charred walnut, matte sheen <input type="checkbox"/> A	+\$0
664	bronzed walnut, matte sheen <input type="checkbox"/> A	+\$0
665	smoked walnut, matte sheen <input type="checkbox"/> A	+\$0
666	coffee walnut, matte sheen <input type="checkbox"/> A	+\$0
667	smoked paldao, quarter cut, matte sheen <input type="checkbox"/> A	+\$0
669	warm paldao, quarter cut, matte sheen <input type="checkbox"/> A	+\$0
66A	recograin frosty ash <input type="checkbox"/> A	+\$0
677	chocolate ash, matte sheen <input type="checkbox"/> A	+\$0
68R	recograin rosewood <input type="checkbox"/> A	+\$0
69A	recograin frosty ash <input type="checkbox"/> A	+\$0
69R	recograin rosewood <input type="checkbox"/> A	+\$0
69T	recograin teak <input type="checkbox"/> A	+\$0
6K1	rift oak <input type="checkbox"/> A	+\$0
ET	clear on ash <input type="checkbox"/> A	+\$0
EU	oak on ash <input type="checkbox"/> A	+\$0
EV	walnut on ash <input type="checkbox"/> A	+\$0
GOU	natural walnut, flat cut, matte sheen <input type="checkbox"/> A	+\$0
6A1	white ash <input type="checkbox"/> A	+\$0
6K6	burnt oak <input type="checkbox"/> A	+\$0
932	sundance anigre <input type="checkbox"/> A	+\$0
933	caramel anigre <input type="checkbox"/> A	+\$0
934	henna anigre <input type="checkbox"/> A	+\$0

Tuxedo Component Lounge

Tables Rectangular *continued*

940	sundance cherry on maple	A	+\$0
962	toasted walnut, low sheen	A	+\$0
963	charred walnut, low sheen	A	+\$0
964	bronzed walnut, low sheen	A	+\$0
965	smoked walnut, low sheen	A	+\$0
966	coffee walnut, low sheen	A	+\$0
967	smoked paldao, low sheen	A	+\$0
969	warm paldao, low sheen	A	+\$0
972	sundance walnut	A	+\$0
977	chocolate ash, low sheen	A	+\$0
98R	recograin rosewood	A	+\$0
991	champagne ash	A	+\$0
99A	recograin frosty ash	A	+\$0
99R	recograin rosewood	A	+\$0
99T	recograin teak	A	+\$0
9A1	white ash, quarter cut, low sheen	A	+\$0
9K1	rift oak, rift cut, low sheen	A	+\$0
9K6	burnt oak, rift cut, low sheen	A	+\$0
G2U	light brown walnut, low sheen	A	+\$0
G40	dark brown walnut, low sheen	A	+\$0
UX	walnut on cherry	A	+\$0
943	caramel cherry	A	+\$0
946	cocoa cherry	A	+\$0
956	cocoa sapele	A	+\$0
998	ebony ash	A	+\$0
ED	aged cherry	A	+\$0
EK	medium red walnut	A	+\$0

RecoGrain Veneer

66G	recograin wenge	A	+\$0
68W	recograin walnut, flat cut, matte sheen	A	+\$0
69G	recograin wenge	A	+\$0
69W	recograin walnut, quarter cut, matte sheen	A	+\$0

Recon Veneer -

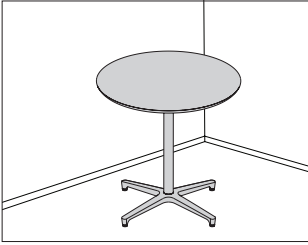
96G	wenge recograin, quarter cut, low sheen	A	+\$0
98W	recograin walnut, flat cut, low sheen	A	+\$0
99G	recograin wenge, quarter cut, low sheen	A	+\$0
99W	recograin walnut, quarter cut, low sheen	A	+\$0

Step 5. Base Finish

		-2028	-2056	-2828	-2856
926	black			+\$0	0
AS	arctic silver			+\$0	0
WHT	white			+\$0	0
BNZ	bronze			+\$307	671
CHR	chrome			+\$307	671
SAC	satin chrome			+\$307	671

Saiba Table Wood Top

ASB1A
ASB1W

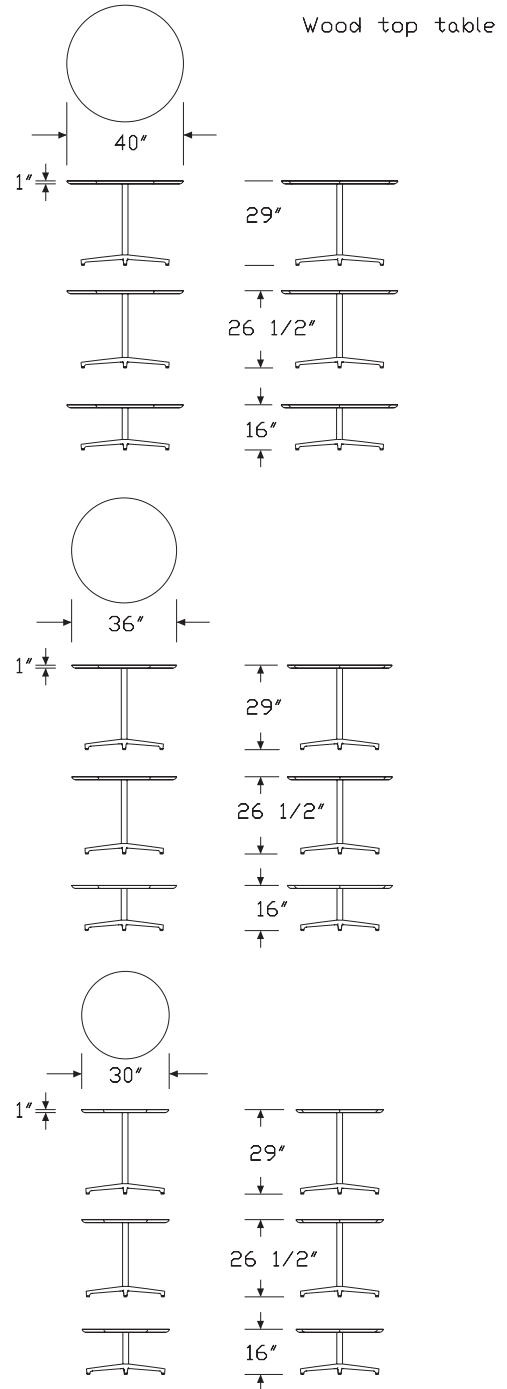


Product Information

Description
This table has an aluminum base with a veneer top and is available in 3 heights and 3 top diameters.

HermanMiller Collection—Occasional Tables

Dimensions



Specification Information

Step 1.

ASB1 A

Step 2. Top

A- ash A

W- walnut A

Step 3. Height

16 16" coffee table height A

26 26.5" work table height A

29 29" standard table height A

Step 4. Diameter

30 30" diameter wood top A

36 36" diameter wood top A

40 40" diameter wood top A

Prices for Steps 1-4.

		30	36	40
ASB1A-	16	\$1632	1785	1938
	26	\$1683	1836	1989
	29	\$1734	1887	2040
ASB1W-	16	\$1734	1887	2040
	26	\$1785	1938	2091
	29	\$1836	1989	2142

Step 5. Wood Finish

Low Sheen Finishes (on Ash)

For ash (A-)

932	sundance anigre A	+\$0
933	caramel anigre A	+\$0
934	henna anigre A	+\$0
940	sundance cherry on maple A	+\$0
962	toasted walnut, low sheen A	+\$0
963	charred walnut, low sheen A	+\$0
964	bronzed walnut, low sheen A	+\$0
965	smoked walnut, low sheen A	+\$0
966	coffee walnut, low sheen A	+\$0
967	smoked paldao, low sheen A	+\$0
969	warm paldao, low sheen A	+\$0
977	chocolate ash, low sheen A	+\$0
98R	recograin rosewood A	+\$0
99A	recograin frosty ash A	+\$0
99G	recograin wenge, quarter cut, low sheen A	+\$0
99R	recograin rosewood A	+\$0
99T	recograin teak A	+\$0
9A1	white ash, quarter cut, low sheen A	+\$0
9K1	rift oak, rift cut, low sheen A	+\$0
9K6	burnt oak, rift cut, low sheen A	+\$0
EK	medium red walnut A	+\$0
G2U	light brown walnut, low sheen A	+\$0
G40	dark brown walnut, low sheen A	+\$0
UX	walnut on cherry A	+\$0
943	caramel cherry A	+\$0
946	cocoa cherry A	+\$0
956	cocoa sapele A	+\$0
991	champagne ash A	+\$0
998	ebony ash A	+\$0
ED	aged cherry A	+\$0

Low Sheen Finishes (on Ash)

For ash (A-)

98W	recograin walnut, flat cut, low sheen A	+\$0
99W	recograin walnut, quarter cut, low sheen A	+\$0

Saiba Table Wood Top *continued*

Matte Sheen Finishes (on Ash)

For ash (A-)

66A	frosty ash recograin, quarter cut, matte sheen <input type="checkbox"/>	+\$0
677	chocolate ash, matte sheen <input type="checkbox"/>	+\$0
68R	recograin rosewood <input type="checkbox"/>	+\$0
69A	recograin frosty ash <input type="checkbox"/>	+\$0
69R	recograin rosewood <input type="checkbox"/>	+\$0
69T	recograin teak <input type="checkbox"/>	+\$0
6K1	rift oak <input type="checkbox"/>	+\$0
ET	clear on ash <input type="checkbox"/>	+\$0
EU	oak on ash <input type="checkbox"/>	+\$0
EV	walnut on ash <input type="checkbox"/>	+\$0
GOU	natural walnut, flat cut, matte sheen <input type="checkbox"/>	+\$0
6A1	white ash <input type="checkbox"/>	+\$0
6K6	burnt oak <input type="checkbox"/>	+\$0

Matte Sheen Finishes (on Ash)

For ash (A-)

66G	recograin wenge <input type="checkbox"/>	+\$0
68W	recograin walnut, flat cut, matte sheen <input type="checkbox"/>	+\$0
69G	recograin wenge <input type="checkbox"/>	+\$0
69W	recograin walnut, quarter cut, matte sheen <input type="checkbox"/>	+\$0

Premium Veneer - Matte

For walnut (W-)

662	toasted walnut, matte sheen <input type="checkbox"/>	+\$0
663	charred walnut, matte sheen <input type="checkbox"/>	+\$0
664	bronzed walnut, matte sheen <input type="checkbox"/>	+\$0
665	smoked walnut, matte sheen <input type="checkbox"/>	+\$0
666	coffee walnut, matte sheen <input type="checkbox"/>	+\$0
667	smoked paldao, quarter cut, matte sheen <input type="checkbox"/>	+\$0
669	warm paldao, quarter cut, matte sheen <input type="checkbox"/>	+\$0
68R	recograin rosewood <input type="checkbox"/>	+\$0
69R	recograin rosewood <input type="checkbox"/>	+\$0
GOU	natural walnut, flat cut, matte sheen <input type="checkbox"/>	+\$0

For walnut (W-)

66G	recograin wenge <input type="checkbox"/>	+\$0
69G	recograin wenge <input type="checkbox"/>	+\$0

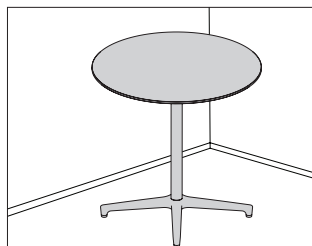
Low Sheen Finishes (on Walnut)

For walnut (W-)

962	toasted walnut, low sheen <input type="checkbox"/>	+\$0
963	charred walnut, low sheen <input type="checkbox"/>	+\$0
964	bronzed walnut, low sheen <input type="checkbox"/>	+\$0
965	smoked walnut, low sheen <input type="checkbox"/>	+\$0
966	coffee walnut, low sheen <input type="checkbox"/>	+\$0
967	smoked paldao, low sheen <input type="checkbox"/>	+\$0
969	warm paldao, low sheen <input type="checkbox"/>	+\$0
96G	wenge recograin, quarter cut, low sheen <input type="checkbox"/>	+\$0
972	sundance walnut <input type="checkbox"/>	+\$0
98R	recograin rosewood <input type="checkbox"/>	+\$0
99G	recograin wenge, quarter cut, low sheen <input type="checkbox"/>	+\$0
99R	recograin rosewood <input type="checkbox"/>	+\$0
G2U	light brown walnut, low sheen <input type="checkbox"/>	+\$0
G40	dark brown walnut, low sheen <input type="checkbox"/>	+\$0
EK	medium red walnut <input type="checkbox"/>	+\$0

Step 6. Base Finish

926	black <input type="checkbox"/>	+\$0
CHR	chrome <input type="checkbox"/>	+\$0

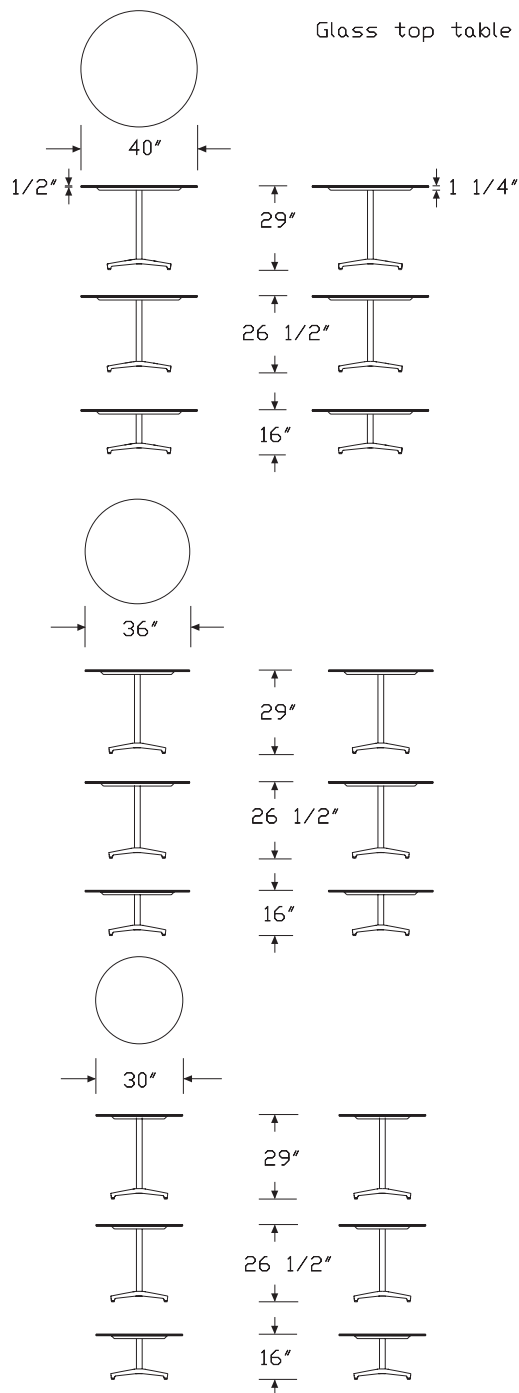


Product Information

Description

This table has an aluminum base with a $\frac{3}{8}$ " tempered, back-painted glass top. Available in 3 heights and 3 top diameters.

Dimensions



Saiba Table Glass Top *continued*

Specification Information

Step 1.

ASB1G- A

Step 2. Height

16 16" coffee table height A

26 26.5" work table height A

29 29" standard table height A

Step 3. Diameter

30 30" diameter wood top A

36 36" diameter wood top A

40 40" diameter wood top A

Prices for Steps 1-3.

	30	36	40
ASB1G- 16	\$2040	2550	3060
26	\$2091	2601	3111
29	\$2142	2652	3162

Step 4. Glass Option

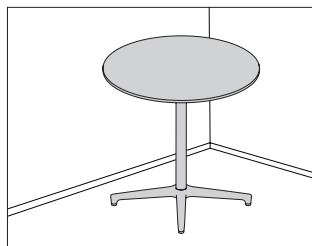
GBB back-painted black glass A +\$0

GBP back-painted white glass A +\$0

Step 5. Base Finish

926 black A +\$0

CHR chrome A +\$0

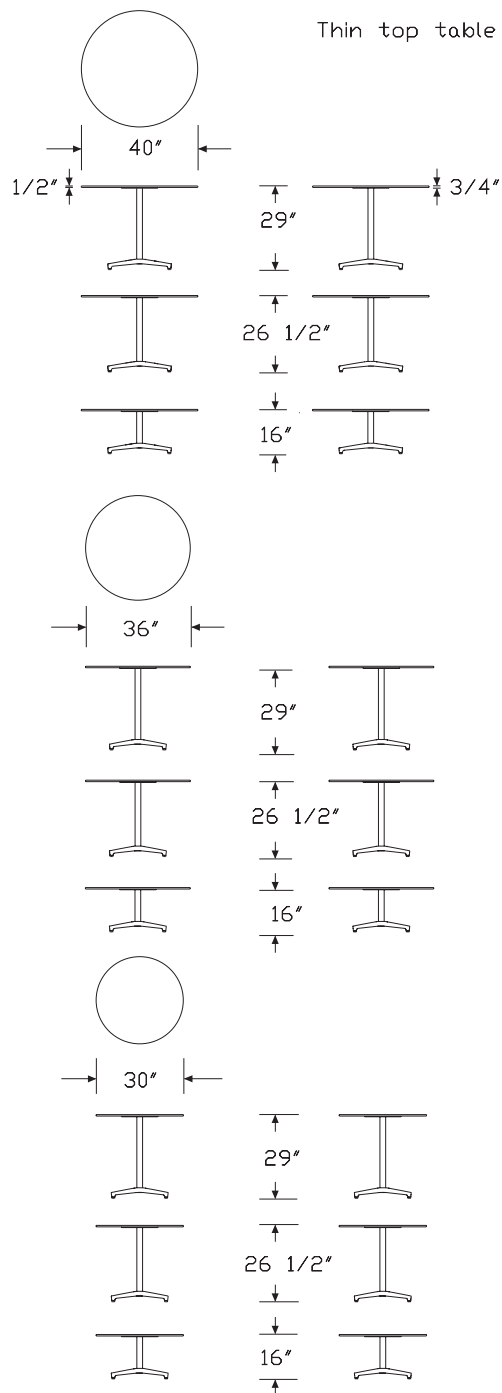


Product Information

Description

This table has an aluminum base with a thin profile high-pressure laminate top and is available in 3 heights and 3 top diameters.

Dimensions



Saiba Table Thin Profile Top

continued

HermanMiller Collection—Occasional Tables

Specification Information

Step 1.

ASB1T- A

Step 2. Height

16 16" coffee table height A

26 26.5" work table height A

29 29" standard table height A

Step 3. Diameter

30 30" diameter wood top A

36 36" diameter wood top A

40 40" diameter wood top A

Prices for Steps 1-3.

	30	36	40
ASB1T- 16	\$1326	1632	2040
26	\$1377	1683	2091
29	\$1428	1734	2142

Step 4. Thin Profile HPL with Black Edge Option

91 white A +\$0

BK black A +\$0

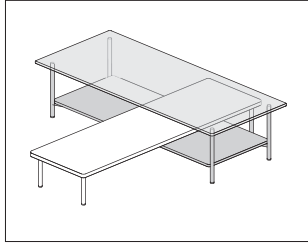
Step 5. Base Finish

926 black A +\$0

CHR chrome A +\$0

Layer Occasional Table, High Nesting

ALNHS

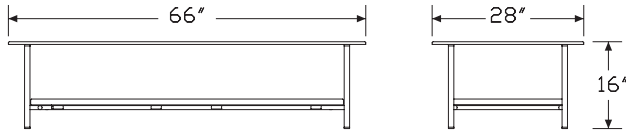


Product Information

Description

This table has a stainless steel frame and a 1/2" thick low-iron tempered glass top with radiused top edge and radiused corners. The wood shelf is 1" thick with plank veneer layup and solid wood edge. Wood shelf is finished to match color and sheen of the specified wood finish.

Dimensions



Specification Information

Step 1.

ALNH

Step 2. Shelf Material

SA- ash shelf

SN- no shelf

SS- stone shelf

SW- walnut shelf

Step 3. Width

66Z 66" wide

Step 4. Depth

28Z 28" deep

Step 5. Height

16Z 16" high

Prices for Steps 1-5.

	16Z
ALNHSA- 66Z 28Z	\$3195

	16Z
ALNHSN- 66Z 28Z	\$2195

	16Z
ALNHSS- 66Z 28Z	\$5095

	16Z
ALNHSW- 66Z 28Z	\$3195

Step 6. Wood Finish

For ash shelf (SA-)

677	chocolate ash, flat cut, matte sheen <input type="checkbox"/>	+ \$0
6A1	white ash, quarter cut, matte sheen <input type="checkbox"/>	+ \$0
991	champagne ash, flat cut, low sheen <input type="checkbox"/>	+ \$0
998	ebony ash, flat cut, low sheen <input type="checkbox"/>	+ \$0

Layer Occasional Table, High Nesting *continued*

For walnut shelf (SW-)

662	toasted walnut, flat cut, matte sheen <input type="checkbox"/> A	+\$0
663	charred walnut, flat cut, matte sheen <input type="checkbox"/> A	+\$0
664	bronzed walnut, flat cut, matte sheen <input type="checkbox"/> A	+\$0
665	smoked walnut, flat cut, matte sheen <input type="checkbox"/> A	+\$0
666	coffee walnut, flat cut, matte sheen <input type="checkbox"/> A	+\$0
972	sundance walnut, solid, low sheen <input type="checkbox"/> A	+\$0
EK	medium red walnut, flat cut, low sheen <input type="checkbox"/> A	+\$0
G2U	light brown walnut, flat cut, low sheen <input type="checkbox"/> A	+\$0
G40	dark brown walnut, flat cut, low sheen <input type="checkbox"/> A	+\$0
GOU	natural walnut, flat cut, matte sheen <input type="checkbox"/> A	+\$0

Step 7. Stone

For stone shelf (SS-)

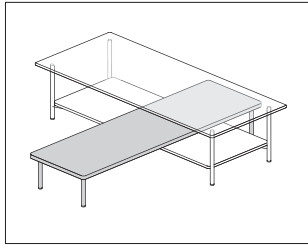
5UH	georgia grey honed marble <input type="checkbox"/> A	+\$0
DPH	georgia white honed marble <input type="checkbox"/> A	+\$0
HR	wisconsin black honed marble <input type="checkbox"/> A	+\$0

Step 8. Base Finish

926	black <input type="checkbox"/> A	+\$0
CHR	chrome <input type="checkbox"/> A	+\$0
SAC	satin chrome <input type="checkbox"/> A	+\$0

Layer Occasional Table, Low Nesting

ALNLT

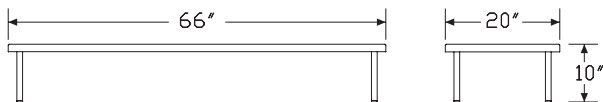


Product Information

Description

This table has a stainless steel frame and a 1 1/4" thick top with plank veneer layup and solid wood edge. Wood top is finished to match color and sheen of the specified wood finish.

Dimensions



Specification Information

Step 1.

ALNL

Step 2. Wood Top Material

TA- ash top

TW- walnut top

Step 3. Width

66Z 66" wide

Step 4. Depth

20Z 20" deep

Step 5. Height

10Z 10" high

Prices for Steps 1-5.

	10Z
ALNLTA- 66Z 20Z	\$1795

	10Z
ALNLTW- 66Z 20Z	\$1795

Step 6. Wood Finish

For ash top (TA-)

677	chocolate ash, flat cut, matte sheen <input type="checkbox"/>	+\$0
6A1	white ash, quarter cut, matte sheen <input type="checkbox"/>	+\$0
991	champagne ash, flat cut, low sheen <input type="checkbox"/>	+\$0
998	ebony ash, flat cut, low sheen <input type="checkbox"/>	+\$0

For walnut top (TW-)

662	toasted walnut, flat cut, matte sheen <input type="checkbox"/>	+\$0
663	charred walnut, flat cut, matte sheen <input type="checkbox"/>	+\$0
664	bronzed walnut, flat cut, matte sheen <input type="checkbox"/>	+\$0
665	smoked walnut, flat cut, matte sheen <input type="checkbox"/>	+\$0
666	coffee walnut, flat cut, matte sheen <input type="checkbox"/>	+\$0
972	sundance walnut, solid, low sheen <input type="checkbox"/>	+\$0
EK	medium red walnut, flat cut, low sheen <input type="checkbox"/>	+\$0
G2U	light brown walnut, flat cut, low sheen <input type="checkbox"/>	+\$0
G40	dark brown walnut, flat cut, low sheen <input type="checkbox"/>	+\$0
GOU	natural walnut, flat cut, matte sheen <input type="checkbox"/>	+\$0

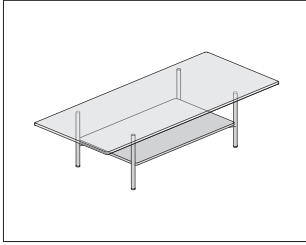
Layer Occasional Table, Low
Nesting *continued*

Step 7. Base Finish		
926	black <input type="checkbox"/> A	+\$0
CHR	chrome <input type="checkbox"/> A	+\$0
SAC	satin chrome <input type="checkbox"/> A	+\$0

HermanMiller Collection—Occasional Tables

Layer Occasional Table, Wood Shelf

ALYSA
ALYSW

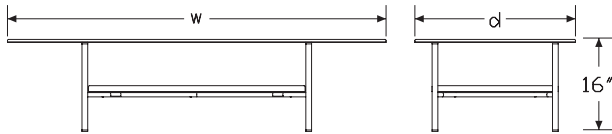


Product Information

Description

This table has a stainless steel frame and a 1/2" thick low-iron tempered glass top with radiused top edge and radiused corners. The wood shelf is 1" thick with plank veneer layup and solid wood edge. Wood shelf is finished to match color and sheen of the specified wood finish.

Dimensions



Specification Information

Step 1.

ALY A

Step 2. Shelf Material

SA- ash shelf A

SW- walnut shelf A

Step 3. Width

28Z 28" wide A

46Z 46" wide A

66Z 66" wide A

Step 4. Depth

For 28" wide (28Z)

14Z 14" deep A

22Z 22" deep A

For 46" wide (46Z)

24Z 24" deep A

For 66" wide (66Z)

28Z 28" deep A

Step 5. Height

16Z 16" high A

Prices for Steps 1-5.

			16Z
ALYSA-	28Z	14Z	\$1695
		22Z	\$2095
	46Z	24Z	\$2395
	66Z	28Z	\$2795
			16Z
ALYSW-	28Z	14Z	\$1695
		22Z	\$2095
	46Z	24Z	\$2395
	66Z	28Z	\$2795

Layer Occasional Table, Wood Shelf *continued*

Step 6. Wood Finish

For ash shelf (SA)

677	chocolate ash, flat cut, matte sheen <input type="checkbox"/> A	+\$0
6A1	white ash, quarter cut, matte sheen <input type="checkbox"/> A	+\$0
991	champagne ash, flat cut, low sheen <input type="checkbox"/> A	+\$0
998	ebony ash, flat cut, low sheen <input type="checkbox"/> A	+\$0

For walnut shelf (SW-)

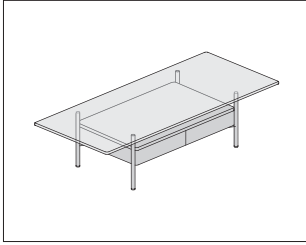
662	toasted walnut, flat cut, matte sheen <input type="checkbox"/> A	+\$0
663	charred walnut, flat cut, matte sheen <input type="checkbox"/> A	+\$0
664	bronzed walnut, flat cut, matte sheen <input type="checkbox"/> A	+\$0
665	smoked walnut, flat cut, matte sheen <input type="checkbox"/> A	+\$0
666	coffee walnut, flat cut, matte sheen <input type="checkbox"/> A	+\$0
972	sundance walnut, solid, low sheen <input type="checkbox"/> A	+\$0
EK	medium red walnut, flat cut, low sheen <input type="checkbox"/> A	+\$0
G2U	light brown walnut, flat cut, low sheen <input type="checkbox"/> A	+\$0
G40	dark brown walnut, flat cut, low sheen <input type="checkbox"/> A	+\$0
GOU	natural walnut, flat cut, matte sheen <input type="checkbox"/> A	+\$0

Step 7. Base Finish

926	black <input type="checkbox"/> A	+\$0
CHR	chrome <input type="checkbox"/> A	+\$0
SAC	satin chrome <input type="checkbox"/> A	+\$0

Layer Occasional Table, Wood
Drawer

ALYDA
ALYDW

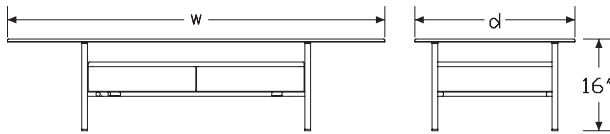


Product Information

Description

This table has a stainless steel frame and a 1/2" thick low-iron tempered glass top with radiused top edge and radiused corners. The drawer top is 1" thick with plank veneer layup and solid wood edge. Drawer front and case are solid wood. Drawer box interior is natural ash with dovetail construction. Wood drawer is finished to match color and sheen of the specified wood finish.

Dimensions



Specification Information

Step 1.

ALY A

Step 2. Drawer Material

DA- ash drawer A

DW- walnut drawer A

Step 3. Width

28Z 28" wide A

46Z 46" wide A

66Z 66" wide A

Step 4. Depth

For 28" wide (28Z)

22Z 22" deep A

For 46" wide (46Z)

24Z 24" deep A

For 66" wide (66Z)

28Z 28" deep A

Step 5. Height

16Z 16" high A

Prices for Steps 1-5.

	16Z
ALYDA- 28Z 22Z	\$2595
46Z 24Z	\$3295
66Z 28Z	\$3695

	16Z
ALYDW- 28Z 22Z	\$2595
46Z 24Z	\$3295
66Z 28Z	\$3695

Step 6. Wood Finish

For ash drawer (DA-)

677 chocolate ash, flat cut, matte sheen <input type="checkbox"/> A	+\$0
6A1 white ash, quarter cut, matte sheen <input type="checkbox"/> A	+\$0
991 champagne ash, flat cut, low sheen <input type="checkbox"/> A	+\$0
998 ebony ash, flat cut, low sheen <input type="checkbox"/> A	+\$0

Layer Occasional Table, Wood Drawer *continued*

HermanMiller Collection—Occasional Tables

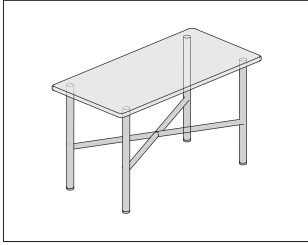
For walnut drawer (DW)

662	toasted walnut, flat cut, matte sheen <input type="checkbox"/> A	+\$0
663	charred walnut, flat cut, matte sheen <input type="checkbox"/> A	+\$0
664	bronzed walnut, flat cut, matte sheen <input type="checkbox"/> A	+\$0
665	smoked walnut, flat cut, matte sheen <input type="checkbox"/> A	+\$0
666	coffee walnut, flat cut, matte sheen <input type="checkbox"/> A	+\$0
972	sundance walnut, solid, low sheen <input type="checkbox"/> A	+\$0
EK	medium red walnut, flat cut, low sheen <input type="checkbox"/> A	+\$0
G2U	light brown walnut, flat cut, low sheen <input type="checkbox"/> A	+\$0
G40	dark brown walnut, flat cut, low sheen <input type="checkbox"/> A	+\$0
GOU	natural walnut, flat cut, matte sheen <input type="checkbox"/> A	+\$0

Step 7. Base Finish

926	black <input type="checkbox"/> A	+\$0
CHR	chrome <input type="checkbox"/> A	+\$0
SAC	satin chrome <input type="checkbox"/> A	+\$0

Layer Occasional Table, No Shelf ALYSN

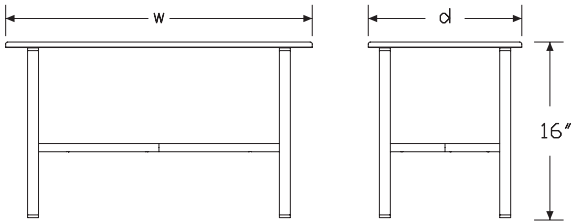


Product Information

Description

This table has a stainless steel frame and a 1/2" thick low-iron tempered glass top with radiused top edge and radiused corners.

Dimensions



Specification Information

Step 1.

ALYSN- A

Step 2. Width

28Z 28" wide A

46Z 46" wide A

66Z 66" wide A

Step 3. Depth

For 28" wide (28Z)

14Z 14" deep A

22Z 22" deep A

For 46" wide (46Z)

24Z 24" deep A

For 66" wide (66Z)

28Z 28" deep A

Step 4. Height

16Z 16" high A

Prices for Steps 1-4.

	16Z
ALYSN- 28Z 14Z	\$1195
22Z	\$1395
46Z 24Z	\$1895
66Z 28Z	\$2195

Step 5. Base Finish

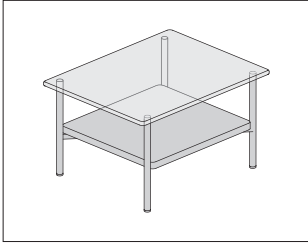
926 black A +\$0

CHR chrome A +\$0

SAC satin chrome A +\$0

Layer Occasional Table, Stone Shelf

ALYSS

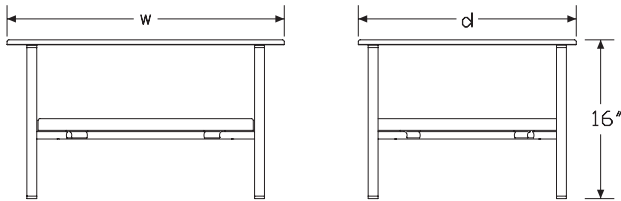


Product Information

Description

This table has a stainless steel frame and a 1/2" thick low-iron tempered glass top with radiused top edge and radiused corners. The stone shelf is 1 3/16" thick with radiused edge and radiused corners.

Dimensions



HermanMiller Collection—Occasional Tables

Specification Information

Step 1.

ALYSS- A

Step 2. Width

28Z 28" wide A

46Z 46" wide A

66Z 66" wide A

Step 3. Depth

For 28" wide (28Z)

14Z 14" deep A

22Z 22" deep A

For 46" wide (46Z)

24Z 24" deep A

For 66" wide (66Z)

28Z 28" deep A

Step 4. Height

16Z 16" high A

Prices for Steps 1-4.

	16Z
ALYSS- 28Z 14Z	\$2395
22Z	\$2595
46Z 24Z	\$3795
66Z 28Z	\$4195

Step 5. Stone

5UH georgia grey honed marble A +\$0

DPH georgia white honed marble A +\$0

HR wisconsin black honed marble A +\$0

Step 6. Base Finish

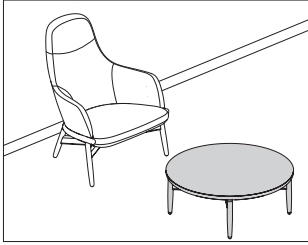
926 black A +\$0

CHR chrome A +\$0

SAC satin chrome A +\$0

Reframe Occasional Table

AFCA
AFCW
AFRA
AFRW
AFSA
AFSW

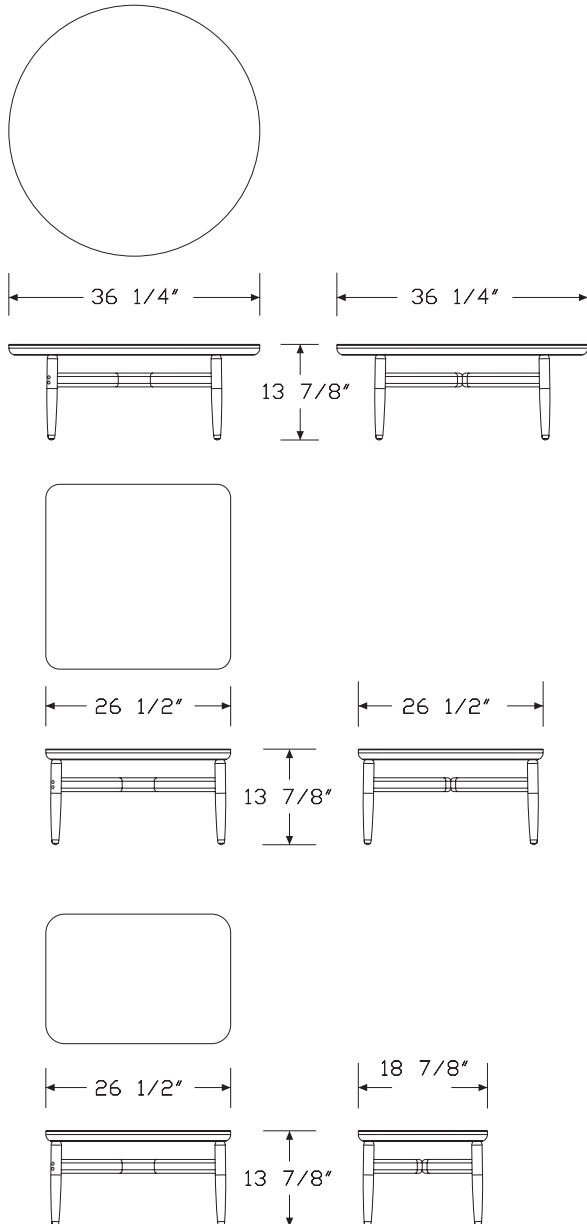


Product Information

Description

This table has a solid ash or walnut frame with a beveled edge veneer surface. Ships fully assembled.

Dimensions



Specification Information

Step 1.

AF

Step 2. Shape

C circular

S square

R rectangular

Step 3. Wood Species

A ash

W walnut

Prices for Steps 1-3.

AFCA	\$1095
AFCW	\$1395
AFSA	\$995
AFSW	\$1295
AFRA	\$845
AFRW	\$1045

Step 4. Wood Finish

For ash (A)

991	champagne ash, low sheen <input type="checkbox"/>	+\$0
998	ebony ash, low sheen <input type="checkbox"/>	+\$0

For ash (A)

677	chocolate ash, matte sheen <input type="checkbox"/>	+\$0
6A1	white ash, matte sheen <input type="checkbox"/>	+\$0

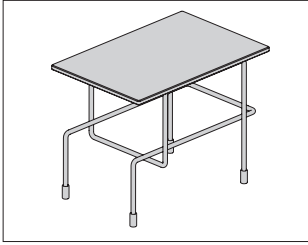
For walnut (W)

972	sundance walnut, low sheen <input type="checkbox"/>	+\$0
EK	medium red walnut, low sheen <input type="checkbox"/>	+\$0
G2U	light brown walnut, low sheen <input type="checkbox"/>	+\$0
G40	dark brown walnut, low sheen <input type="checkbox"/>	+\$0

For walnut (W)

662	toasted walnut, matte sheen <input type="checkbox"/>	+\$0
663	charred walnut, matte sheen <input type="checkbox"/>	+\$0
664	bronzed walnut, matte sheen <input type="checkbox"/>	+\$0
665	smoked walnut, matte sheen <input type="checkbox"/>	+\$0
666	coffee walnut, matte sheen <input type="checkbox"/>	+\$0
GOU	walnut, matte sheen <input type="checkbox"/>	+\$0

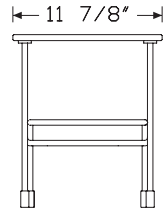
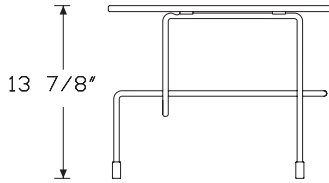
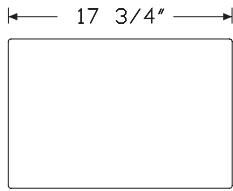
Traffic Low Table, White HPL Top XXTV2



Product Information

Description
 This table has a steel rod frame painted in polyester powder with top in white HPL.

Dimensions



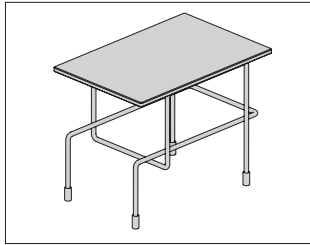
Specification Information

Step 1.
XXTV2707 A \$960

Step 2. Frame Finish

5011	white	<input type="checkbox"/> A	+\$0
5013	black	<input type="checkbox"/> A	+\$0

Traffic Low Table, Black HPL Top XXTV2

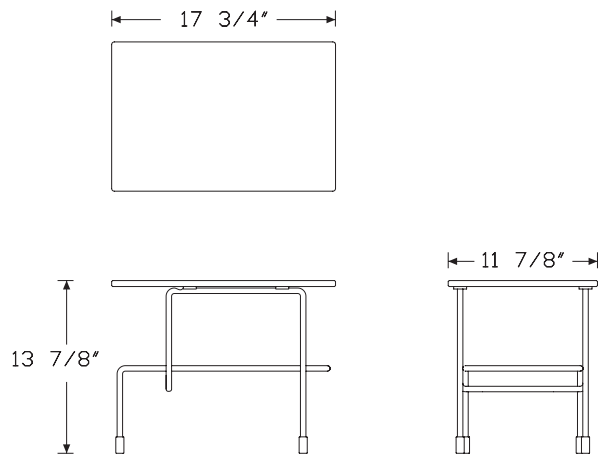


Product Information

Description

This table has a steel rod frame painted in polyester powder with top in black HPL.

Dimensions



Specification Information

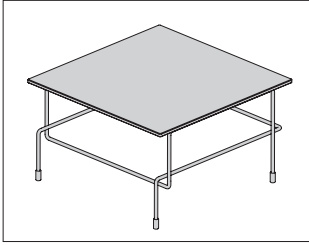
Step 1.

XXTV2708 [A] \$780

Step 2. Frame Finish

5011 white [A] +\$0
5013 black [A] +\$0

Traffic Low Square Table, White XXTV2
HPL Top

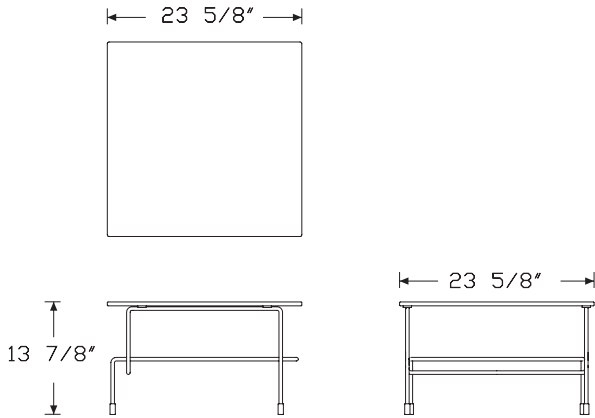


Product Information

Description

This table has a steel rod frame painted in polyester powder with top in white HPL.

Dimensions



Specification Information

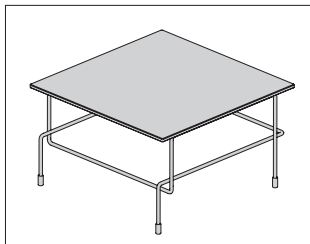
Step 1.

XXTV2717 A \$670

Step 2. Frame Finish

5011 white A +\$0
5013 black A +\$0

Traffic Low Square Table, Black XXTV2
HPL Top

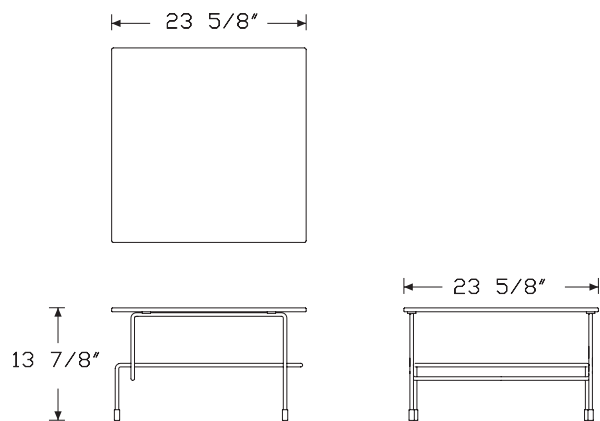


Product Information

Description

This table has a steel rod frame painted in polyester powder with top in black HPL.

Dimensions



Specification Information

Step 1.

XXTV2718 A \$540

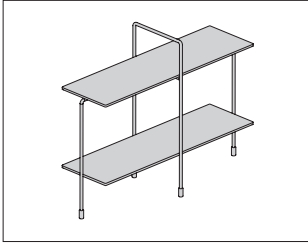
Step 2. Frame Finish

5011 white A +\$0

5013 black A +\$0

Traffic Low Side Table

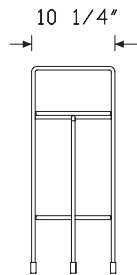
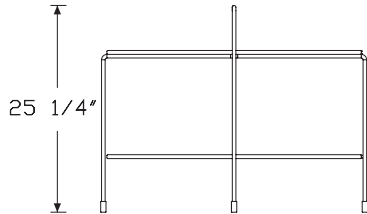
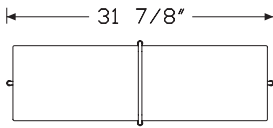
XXTV2



Product Information

Description
 This table has a steel rod frame painted in polyester powder with top in white HPL.

Dimensions



Specification Information

Step 1.
XXTV2727 [A] \$440

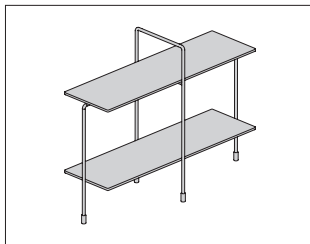
Step 2. Frame Finish

5011 white [A] +\$0
5013 black [A] +\$0

HermanMiller Collection—Occasional Tables

Traffic Low Side Table, Suitable
for Outdoor Use

XXTV2

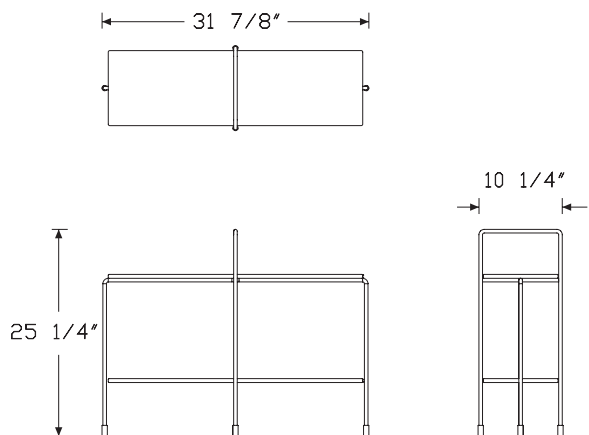


Product Information

Description

This table has a steel rod frame painted in polyester powder with top in black HPL.

Dimensions



Specification Information

Step 1.

XXTV2728 [A] \$380

Step 2. Frame Finish

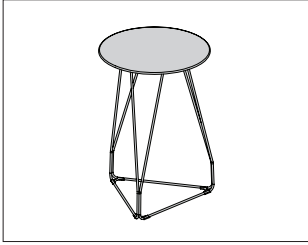
5011 white [A] +\$0

5013 black [A] +\$0

HermanMiller Collection—Occasional Tables

Polygon Wire Table

- PWL14
- PWL22
- PWL26
- PWM14
- PWM18
- PWM26
- PWS16
- PWS20
- PWS26



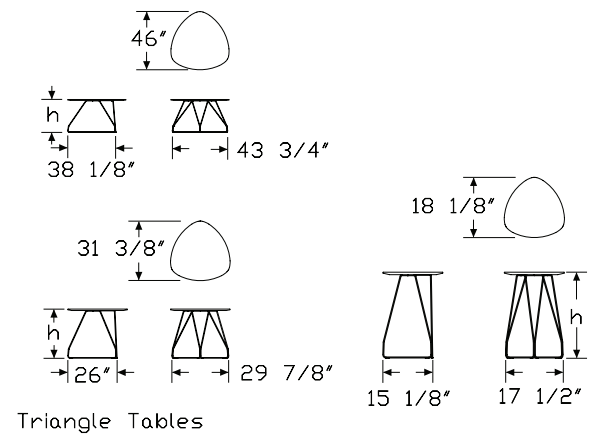
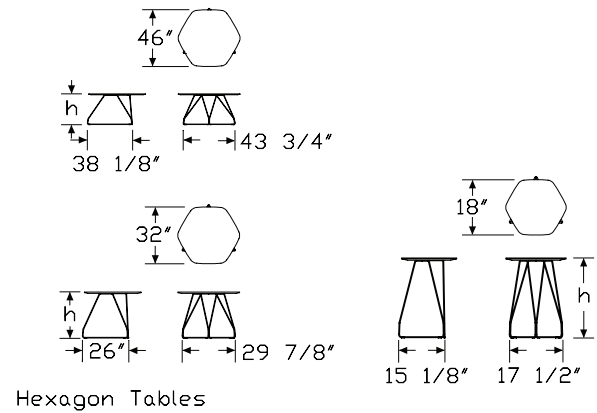
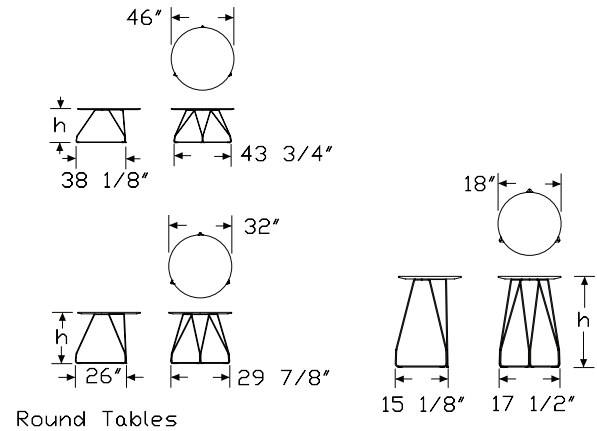
Product Information

Description

This table has a textured Formcoat® top that comes in 3 shapes and 3 sizes. The base is metal with textured paint, comes in 3 heights for each top shape, and has plastic glides. Top and base are the same color.

HermanMiller Collection—Occasional Tables

Dimensions



Polygon Wire Table *continued*

Specification Information

Step 1.

PW A

Step 2. Dimensions

- S16** 18" W top x 16" H base A
- S20** 18" W top x 20" H base A
- S26** 18" W top x 26" H base A
- M14** 32" W top x 14" H base A
- M18** 32" W top x 18" H base A
- M26** 32" W top x 26" H base A
- L14** 46" W top x 14" H base A
- L22** 46" W top x 22" H base A
- L26** 46" W top x 26" H base A

Step 3. Top Shape

- R** round A
- H** hexagon A
- T** triangle A

Prices for Steps 1-3.

PWS16	R	\$724
	H	\$724
	T	\$724
<hr/>		
PWS20	R	\$750
	H	\$750
	T	\$750
<hr/>		
PWS26	R	\$777
	H	\$777
	T	\$777
<hr/>		
PWM14	R	\$1099
	H	\$1099
	T	\$1099
<hr/>		
PWM18	R	\$1137
	H	\$1137
	T	\$1137
<hr/>		
PWM26	R	\$1173
	H	\$1173
	T	\$1173

PWL14	R	\$1474
	H	\$1474
	T	\$1474

PWL22	R	\$1522
	H	\$1522
	T	\$1522

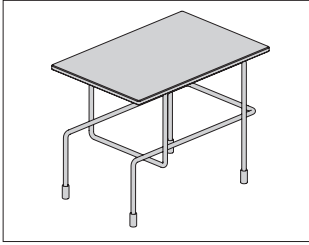
PWL26	R	\$1570
	H	\$1570
	T	\$1570

Step 4. Finish

- 91** white A +\$0
- BK** black A +\$0
- G1** graphite A +\$0

Traffic Low Table

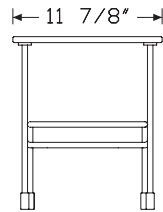
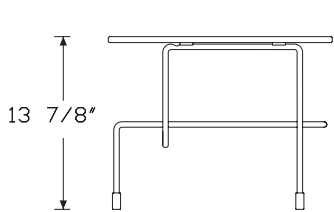
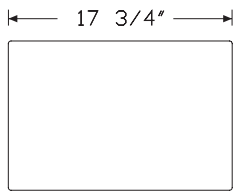
XXTV2



Product Information

Description
 This table has a steel rod frame and 12mm acrylic stone top.

Dimensions



Specification Information

Step 1.
XXTV2700 A \$1059

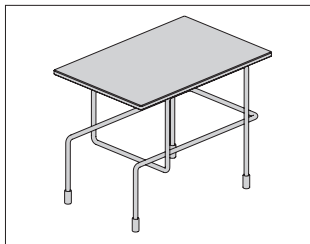
Step 2. Frame Finish

5011 white A +\$0
5013 black A +\$0

HermanMiller Collection—Occasional Tables

Traffic Low Table, Suitable for Outdoor Use

XXTV2



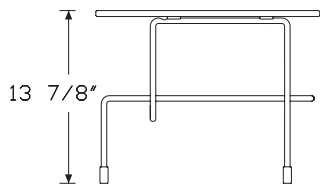
Product Information

Description

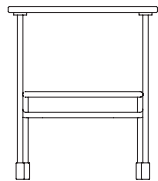
This table has a steel rod frame and 12mm acrylic stone top. Suitable for outdoor use.

Dimensions

← 17 3/4" →



← 11 7/8" →



Specification Information

Step 1.

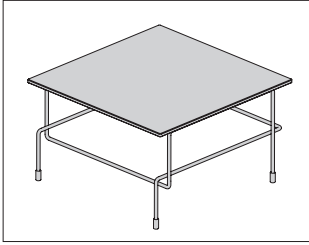
XXTV2701 A \$1231

Step 2. Frame Finish

5011 white A +\$0

Traffic Low Square Table

XXTV2

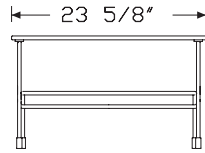
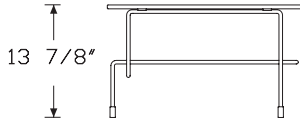
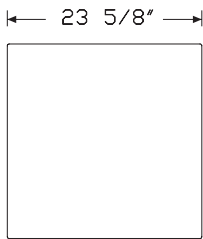


Product Information

Description

This table has a steel rod frame and 12mm acrylic stone top.

Dimensions



Specification Information

Step 1.

XXTV2710 A \$950

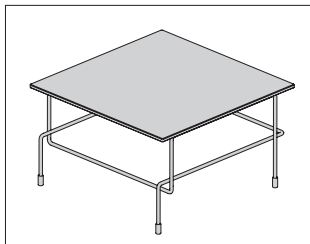
Step 2. Frame Finish

5011 white A +\$0

5013 black A +\$0

HermanMiller Collection—Occasional Tables

Traffic Low Square Table, Suitable for Outdoor Use XXTV2

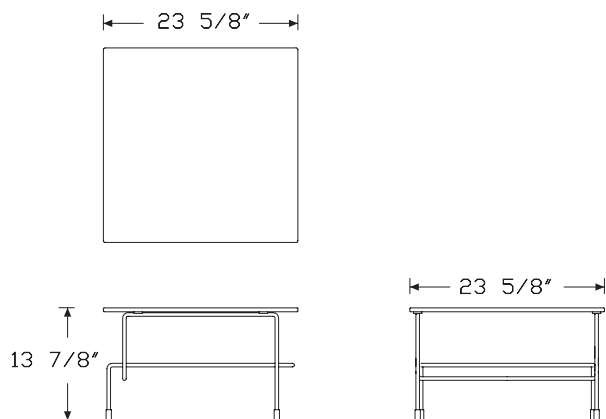


Product Information

Description

This table has a steel rod frame and 12mm acrylic stone top. Suitable for outdoor use.

Dimensions



Specification Information

Step 1.

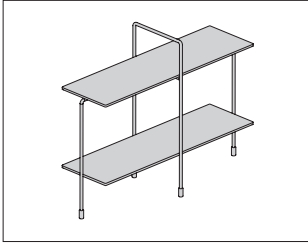
XXTV2711 [A] \$1057

Step 2. Frame Finish

5011 white [A] +\$0

Traffic Low Side Table

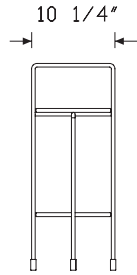
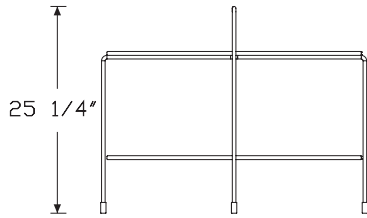
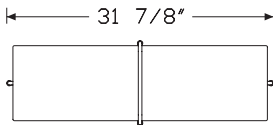
XXTV2



Product Information

Description
This table has a steel rod frame and 12mm acrylic stone top.

Dimensions



Specification Information

Step 1.
XXTV2720 A \$605

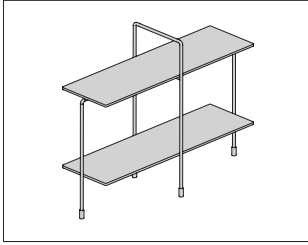
Step 2. Frame Finish

5011 white A +\$0
5013 black A +\$0

HermanMiller Collection—Occasional Tables

Traffic Low Side Table, Suitable
for Outdoor Use

XXTV2

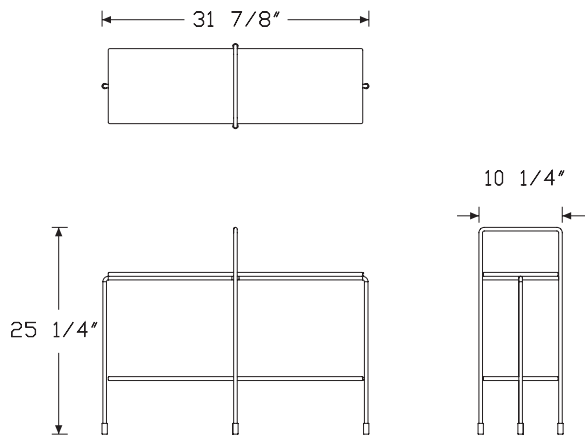


Product Information

Description

This table has a steel rod frame and 12mm acrylic stone top. Suitable for outdoor use.

Dimensions



Specification Information

Step 1.

XXTV2721 A

\$666

Step 2. Frame Finish

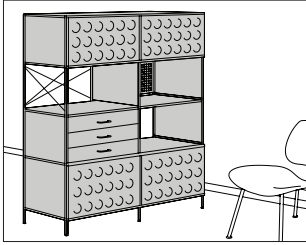
5011 white A

+\$0

Storage

Eames® Storage Unit

ESU100
 ESU150
 ESU201
 ESU230
 ESU420



Product Information

Description

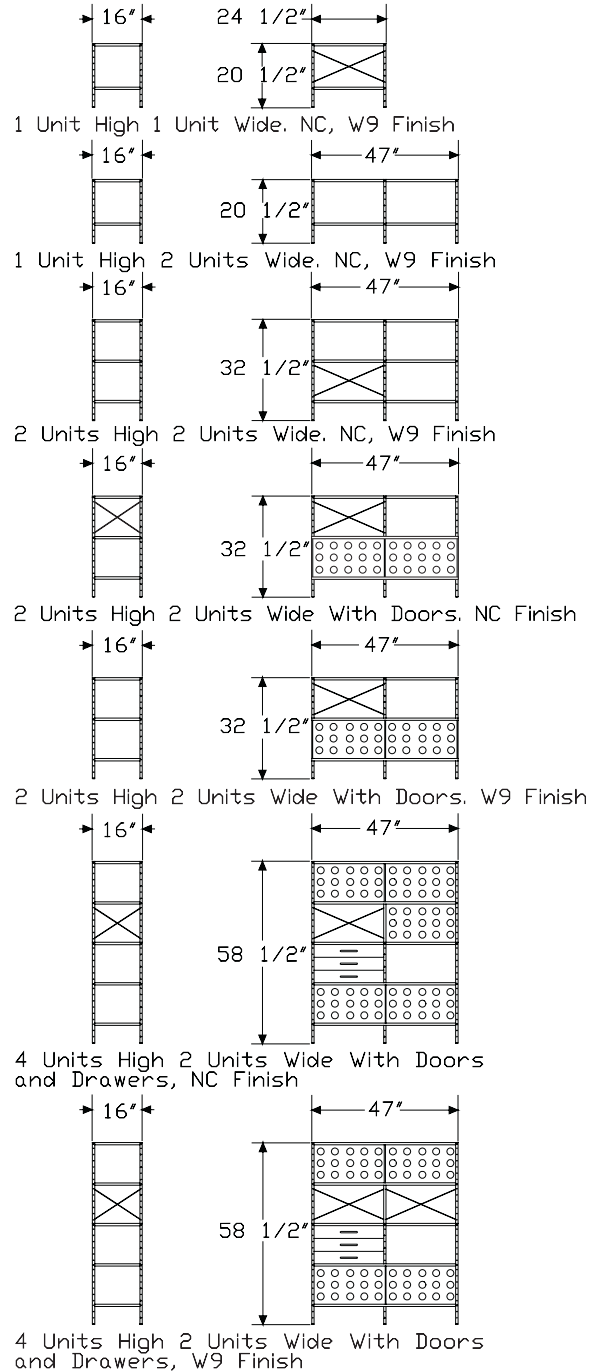
This storage unit is available in 1, 2, or 4 units high and 1 or 2 units wide with 5 configurations of shelves, drawers, and enclosed storage for books or binders. Some units have dimpled plywood doors; plywood drawer units and shelves; painted side and back panels; and steel uprights, cross supports, and perforated panels. The storage unit has adjustable glides.

Notes

For 2 units high, 2 units wide configurations (ESU201., ESU230.) with natural color (NC) surface finish, the divider between the top shelves is a cross-bar wire.

For 2 units high, 2 units wide configurations (ESU201., ESU230.) with multi-color (W9) surface finish, the divider between the top shelves is a blue panel.

Dimensions



Eames® Storage Unit *continued*

Specification Information

Step 1.

ESU A

Step 2. Configuration

- 150.** 1 unit high, 1 unit wide A
- 100.** 1 unit high, 2 units wide A
- 201.** 2 units high, 2 units wide A
- 230.** 2 units high, 2 units wide, with doors A
- 420.** 4 units high, 2 units wide A

Prices for Steps 1-2.

ESU150.	\$821
ESU100.	\$1383
ESU201.	\$1843
ESU230.	\$2355
ESU420.	\$4350

Step 3. Frame Finish

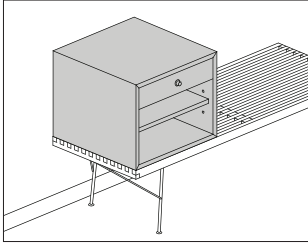
		150.	100.	201.	230.	420.
ZC	zinc plated <input type="checkbox"/> A	+\$0	0	0	0	0
BU	black <input type="checkbox"/> A	+\$49	49	77	77	157

Step 4. Surface Finish

NC	natural color <input type="checkbox"/> A		+\$0
W9	multi-color <input type="checkbox"/> A		+\$0

Nelson™ Basic Cabinet Series
16.5 x 18

BC1618

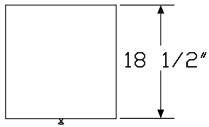


Product Information

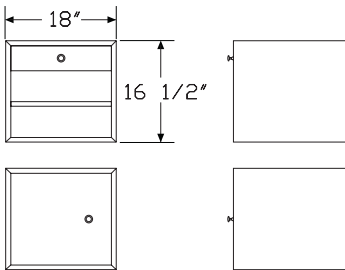
Description

This veneer cabinet provides small item storage and can be used freestanding or placed on top of the Nelson™ platform bench.

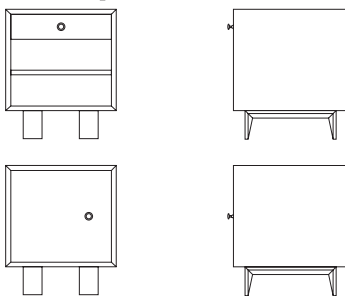
Dimensions



platform bench-mount base (B)



wood leg (W)



Specification Information

Step 1.

BC1618. [A]

Step 2. Type

- B** open cabinet with 1 drawer [A]
- C** closed cabinet, left-hinged door [A]
- D** closed cabinet, right-hinged door [A]

Step 3. Leg/Base Option

- W** wood leg [A]
- B** platform bench-mount base [A]

Step 4. Pull

- A** aluminum alloy pull, silver [A]

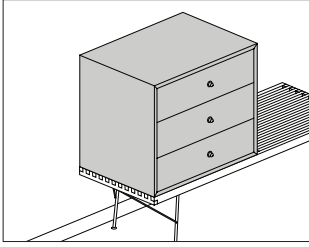
Prices for Steps 1-4.

	A
BC1618. B W	\$1014
B	\$1014
C W	\$1014
B	\$1014
D W	\$1014
B	\$1014

Step 5. Finish

- 2U** light brown walnut [A] +\$0
- OK** natural oak [A] +\$0

Nelson™ Basic Cabinet Series BC2424
24 X 24



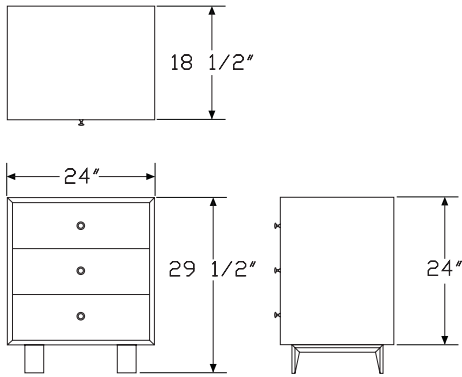
HermanMiller Collection—Storage

Product Information

Description

This veneer cabinet provides small item storage and can be used freestanding or placed on top of a Nelson™ platform bench.

Dimensions



Specification Information

Step 1.

BC2424. [A]

Step 2. Type

E 3-drawer cabinet [A]

Step 3. Leg/Base Option

W wood leg [A]

B platform bench-mount base [A]

Step 4. Pull

A aluminum alloy pull, silver [A]

Prices for Steps 1-4.

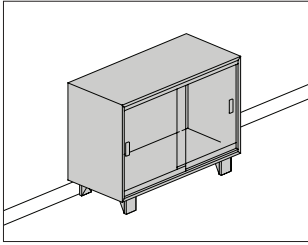
	A
BC2424. E W	\$2257
B	\$2082

Step 5. Finish

2U light brown walnut [A]	+\$0
OK natural oak [A]	+\$0

Nelson™ Basic Cabinet Series
24 X 34

BC2434

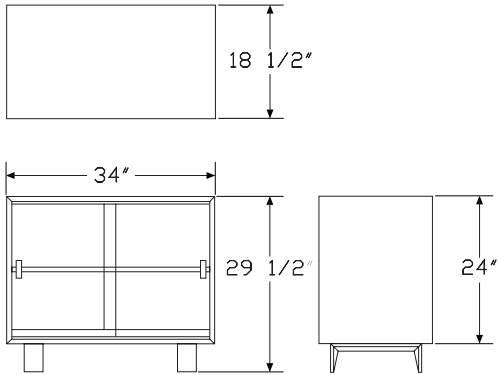


Product Information

Description

This veneer cabinet has 2 sliding glass doors and can be used freestanding or placed on top of a Nelson™ platform bench.

Dimensions



Specification Information

Step 1.

BC2434. [A]

Step 2. Type

J closed cabinet, 2 sliding doors [A]

Step 3. Leg/Base Option

W wood leg [A]

B platform bench-mount base [A]

Step 4. Pull

N no pull [A]

Prices for Steps 1-4.

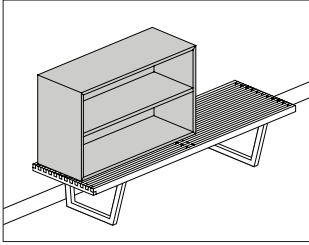
			N
BC2434. J	W		\$2468
	B		\$2294

Step 5. Finish

2U light brown walnut [A] +\$0

OK natural oak [A] +\$0

Nelson™ Basic Cabinet Series BC2400
24 x 34 Bookcase



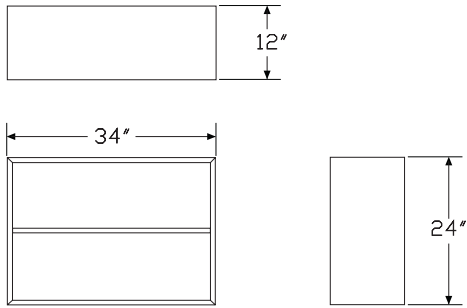
HermanMiller Collection—Storage

Product Information

Description

This 12"-deep veneer open bookcase sits on a Nelson™ platform bench and has a shelf that adjusts in 2" increments over a 6" range.

Dimensions



Specification Information

Step 1.

BC2400. A

Step 2. Type

H open bookcase A

Step 3. Leg/Base Option

B platform bench-mount base A

Step 4. Pull

N no pull A

Prices for Steps 1-4.

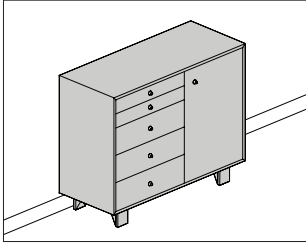
	N
BC2400. H B	\$1342

Step 5. Finish

2U light brown walnut <input type="checkbox"/> A	+ \$0
OK natural oak <input type="checkbox"/> A	+ \$0

Nelson™ Basic Cabinet Series
34 X 40

BC3440



Product Information

Description

This veneer freestanding cabinet is available with 5 drawers on the left side with a single door on the right, or with 2 full width drawers over double drawers.

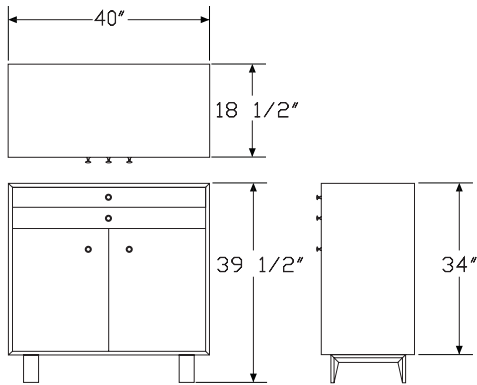
Notes

5-drawer cabinet with door option (L) has 2 shelves behind the door.

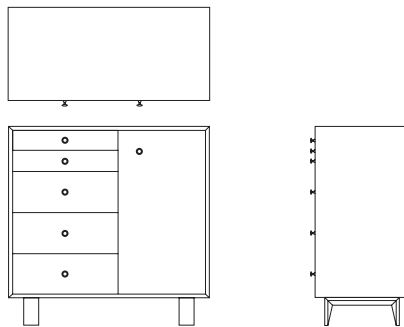
Each shelf adjusts in 2" increments over a 6" range.

Cabinet, 2 drawers over 2 doors option (M) has 1 shelf that adjusts in 2" increments over a 6" range.

Dimensions



M



L

Specification Information

Step 1.

BC3440. [A]

Step 2. Type

L 5-drawer cabinet with door [A]

M cabinet, 2 drawers over 2 doors [A]

Step 3. Leg Option

W wood leg [A]

Step 4. Pull

A aluminum alloy pull, silver [A]

Prices for Steps 1-4.

	A
BC3440. L W	\$3116
M W	\$2856

Step 5. Finish

2U light brown walnut [A] +\$0

OK natural oak [A] +\$0

Nelson™ Miniature Chest 6 Drawer NC526
NC556



Product Information

Description

This chest has 6 small drawers with metal pulls. The chest body and drawers are constructed of solid wood as specified, with laminate on the top surface. Depending on the model, it has 3/8" solid-brass glides or a 4-star aluminum base with adjustable glides.

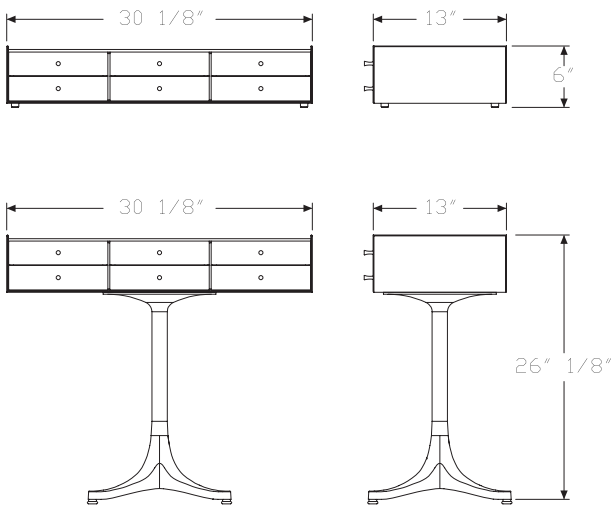
Notes

For the walnut and dark brown walnut combination (RT) option, the case finish is solid walnut and the drawer fronts are solid walnut stained dark brown.

For the white ash and walnut combination (UR) option, the case finish is solid white ash and the drawer fronts are solid walnut.

For the teak and dark brown teak combination (US) option, the case finish is solid teak and the drawer fronts are solid teak stained dark brown.

Dimensions



Specification Information

Step 1.

NC5 A

Step 2. Type

26 without pedestal base A

56 with pedestal base A

Prices for Steps 1-2.

NC526	\$3101
NC556	\$3561

Step 3. Case Finish

OU	walnut <input type="checkbox"/> A	+\$0
RT	walnut and dark brown walnut combination <input type="checkbox"/> A	+\$0
A2	white ash <input type="checkbox"/> A	+\$115
UR	white ash and walnut combination <input type="checkbox"/> A	+\$115
OT	teak <input type="checkbox"/> A	+\$591
US	teak and dark brown teak combination <input type="checkbox"/> A	+\$591

Step 4. Top Finish

Solid-Color Laminate

98	studio white <input type="checkbox"/> A	+\$0
BK	black - generic <input type="checkbox"/> A	+\$0

Step 5. Pull Finish

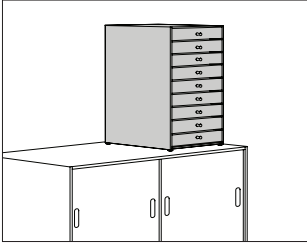
98	metal pull, studio white <input type="checkbox"/> A	+\$0
BK	metal pull, black <input type="checkbox"/> A	+\$0
L	metal pull, aluminum <input type="checkbox"/> A	+\$0

Step 6. Base Finish

For with pedestal base (56)

98	studio white <input type="checkbox"/> A	+\$0
BK	black <input type="checkbox"/> A	+\$0
L	polished aluminum <input type="checkbox"/> A	+\$50

Nelson™ Miniature Chest 9 Drawer NC529
NC559



Product Information

Description

This chest has 9 small drawers with metal pulls. The chest body and drawers are constructed of solid wood as specified. Depending on the model, it has 3/8" solid-brass glides or a 4-star aluminum base with adjustable glides.

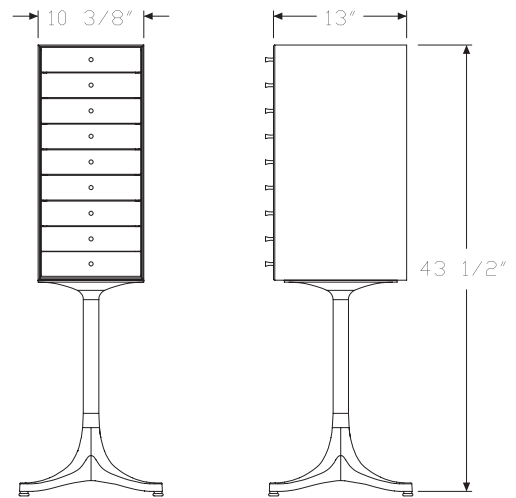
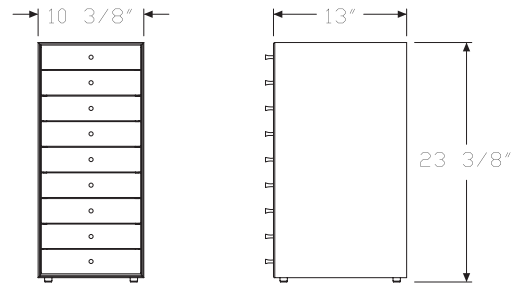
Notes

For the walnut and dark brown walnut combination (RT) option, the case finish is solid walnut and the drawer fronts are solid walnut stained dark brown.

For the white ash and walnut combination (UR) option, the case finish is solid white ash and the drawer fronts are solid walnut.

For the teak and dark brown teak combination (US) option, the case finish is solid teak and the drawer fronts are solid teak stained dark brown.

Dimensions



Nelson™ Miniature Chest 9 Drawer

continued

Specification Information

Step 1.

NC5

Step 2. Type

29 without pedestal base

59 with pedestal base

Prices for Steps 1-2.

NC529	\$3320
NC559	\$3755

Step 3. Case Finish

OU	walnut <input type="checkbox"/>	+\$0
RT	walnut and dark brown walnut combination <input type="checkbox"/>	+\$0
A2	white ash <input type="checkbox"/>	+\$144
UR	white ash and walnut combination <input type="checkbox"/>	+\$144
OT	teak <input type="checkbox"/>	+\$856
US	teak and dark brown teak combination <input type="checkbox"/>	+\$856

Step 4. Pull Finish

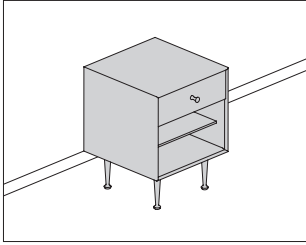
98	metal pull, studio white <input type="checkbox"/>	+\$0
BK	metal pull, black <input type="checkbox"/>	+\$0
L	metal pull, aluminum <input type="checkbox"/>	+\$0

Step 5. Base Finish

For with pedestal base (59)

98	studio white <input type="checkbox"/>	+\$0
BK	black <input type="checkbox"/>	+\$0
L	polished aluminum <input type="checkbox"/>	+\$50

Nelson™ Thin Edge Bedside Table TE1618



Product Information

Description

This bedside table has polished aluminum legs. The drawer has solid wood construction with soft closing slides.

Notes

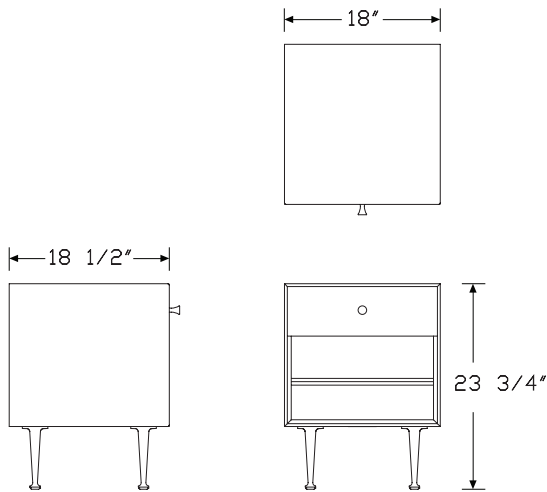
The unfinished back panel (BCF) option is intended for applications where this table will be placed against a wall.

For the walnut and dark brown walnut combination (RT) option, the case finish is walnut (OU) and the drawer or door fronts are dark brown walnut (40).

For the white ash and walnut combination (UR) option, the case finish is white ash (A2) and the drawer or door fronts are walnut (OU).

Santos palisander veneer is celebrated for its unique grain and color variations. Similar products ordered in multiples or dissimilar products ordered separately should be expected to have variation in both grain and color characteristics; no two products will look exactly alike.

Dimensions



Specification Information

Step 1.

TE1618. [A]

Step 2. Type

L bedside table with 1 drawer and 1 shelf [A]

Step 3. Leg

H 7" polished aluminum with height adjustable glide [A]

Step 4. Pull

A aluminum alloy pull, silver [A]

B metal pull, aluminum [A]

C metal pull, white [A]

D metal pull, black [A]

Prices for Steps 1-4.

		A	B	C	D
TE1618.	L H	\$2054	2079	2079	2079

Step 5. Case Finish

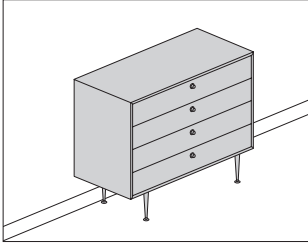
OU	walnut [A]				+\$0
A2	white ash [A]				+\$182
RT	walnut and dark brown walnut combination [A]				+\$182
UR	white ash and walnut combination [A]				+\$182
9N	santos palisander [A]				+\$6305

Step 6. Back Panel

		OU	A2	RT	UR	9N
BCF	unfinished (matte black) [A]	+\$0	0	0	0	0
BCG	finished alike [A]	+\$155	155	155	155	1397

Nelson™ Thin Edge Chest

TE2100



HermanMiller Collection—Storage

Product Information

Description

This chest has polished aluminum legs and either 3 or 4 drawers. Drawers are solid wood construction with soft closing slides.

Notes

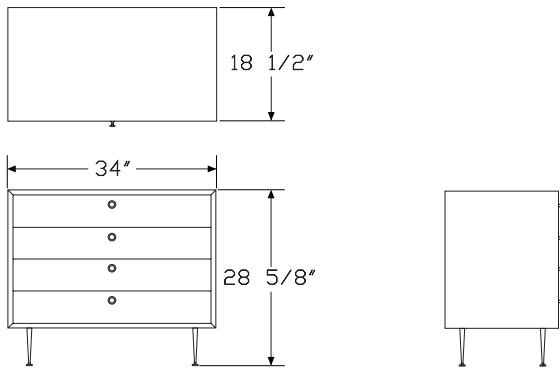
The unfinished back panel (BCF) option is intended for applications where this chest will be placed against a wall.

For the walnut and dark brown walnut combination (RT) option, the case finish is walnut (OU) and the drawer or door fronts are dark brown walnut (40).

For the white ash and walnut combination (UR) option, the case finish is white ash (A2) and the drawer or door fronts are walnut (OU).

Santos palisander veneer is celebrated for its unique grain and color variations. Similar products ordered in multiples or dissimilar products ordered separately should be expected to have variation in both grain and color characteristics; no two products will look exactly alike.

Dimensions



Specification Information

Step 1.

TE2100. A

Step 2. Type

S 4 drawer chest A

T 3 drawer chest A

Step 3. Leg

H 7" polished aluminum with height adjustable glide A

Step 4. Pull

A aluminum alloy pull, silver A

B metal pull, aluminum A

C metal pull, white A

D metal pull, black A

Prices for Steps 1-4.

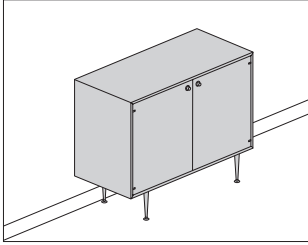
		A	B	C	D
TE2100.	S H	\$4918	4970	4970	4970
	T H	\$4672	4724	4724	4724

Step 5. Case Finish

OU	walnut A				+\$0
A2	white ash A				+\$233
RT	walnut and dark brown walnut combination A				+\$233
UR	white ash and walnut combination A				+\$233
9N	santos palisander A				+\$6305

Step 6. Back Panel

		OU	A2	RT	UR	9N
BCF	unfinished (matte black) A	+\$0	0	0	0	0
BCG	finished alike A	+\$155	155	155	155	776



Product Information

Description

This 2-door cabinet has polished aluminum legs and one adjustable shelf.

Notes

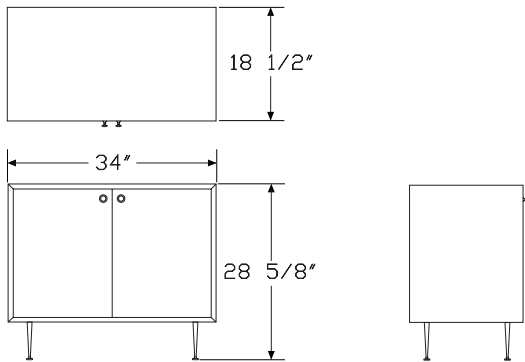
The unfinished back panel (BCF) option is intended for applications where this chest will be placed against a wall.

For the walnut and dark brown walnut combination (RT) option, the case finish is walnut (OU) and the drawer or door fronts are dark brown walnut (40).

For the white ash and walnut combination (UR) option, the case finish is white ash (A2) and the drawer or door fronts are walnut (OU).

Santos palisander veneer is celebrated for its unique grain and color variations. Similar products ordered in multiples or dissimilar products ordered separately should be expected to have variation in both grain and color characteristics; no two products will look exactly alike.

Dimensions



Specification Information

Step 1.

TE2134. [A]

Step 2. Type

G enclosed cabinet with 2 hinged doors [A]

Step 3. Leg

H 7" polished aluminum with height adjustable glide [A]

Step 4. Pull

A aluminum alloy pull, silver [A]

B metal pull, aluminum [A]

C metal pull, white [A]

D metal pull, black [A]

Prices for Steps 1-4.

	A	B	C	D
TE2134. G H	\$3850	3902	3902	3902

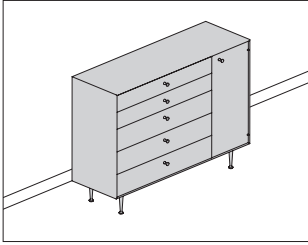
Step 5. Case Finish

OU	walnut [A]				+\$0
A2	white ash [A]				+\$182
RT	walnut and dark brown walnut combination [A]				+\$182
UR	white ash and walnut combination [A]				+\$182
9N	santos palisander [A]				+\$6305

Step 6. Back Panel

		OU	A2	RT	UR	9N
BCF	unfinished (matte black) [A]	+\$0	0	0	0	0
BCG	finished alike [A]	+\$155	155	155	155	1397

Nelson™ Thin Edge Chest Cabinet TE3400



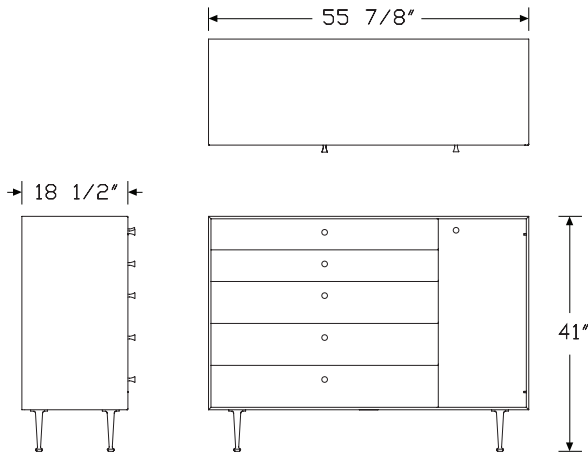
Product Information

Description
 This chest cabinet has polished aluminum legs. The 5 drawers have solid wood construction with soft closing slides. The 1-door cabinet portion has 2 adjustable shelves.

Notes

The unfinished back panel (BCF) option is intended for applications where this chest will be placed against a wall.
 For the walnut and dark brown walnut combination (RT) option, the case finish is walnut (OU) and the drawer or door fronts are dark brown walnut (40).
 For the white ash and walnut combination (UR) option, the case finish is white ash (A2) and the drawer or door fronts are walnut (OU).
 Santos palisander veneer is celebrated for its unique grain and color variations. Similar products ordered in multiples or dissimilar products ordered separately should be expected to have variation in both grain and color characteristics; no two products will look exactly alike.

Dimensions



Specification Information

Step 1.

TE3400. A

Step 2. Type

- E** 5 drawer cabinet with 1 right door A
- M** 5 drawer cabinet with 1 left door A

Step 3. Leg

- H** 7" polished aluminum with height adjustable glide A

Step 4. Pull

- A** aluminum alloy pull, silver A
- B** metal pull, aluminum A
- C** metal pull, white A
- D** metal pull, black A

Prices for Steps 1-4.

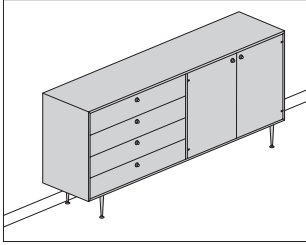
		A	B	C	D
TE3400.	E H	\$8220	8271	8271	8271
	M H	\$8220	8271	8271	8271

Step 5. Case Finish

- OU** walnut A +\$0
- A2** white ash A +\$384
- RT** walnut and dark brown walnut combination A +\$384
- UR** white ash and walnut combination A +\$384
- 9N** santos palisander A +\$8991

Step 6. Back Panel

		OU	A2	RT	UR	9N
BCF	unfinished (matte black) A	+\$0	0	0	0	0
BCG	finished alike A	+\$260	260	260	260	2796



Product Information

Description

This buffet has polished aluminum legs. The four drawers have solid wood construction with soft closing slides. The two-door cabinet portion has 2 adjustable shelves.

Notes

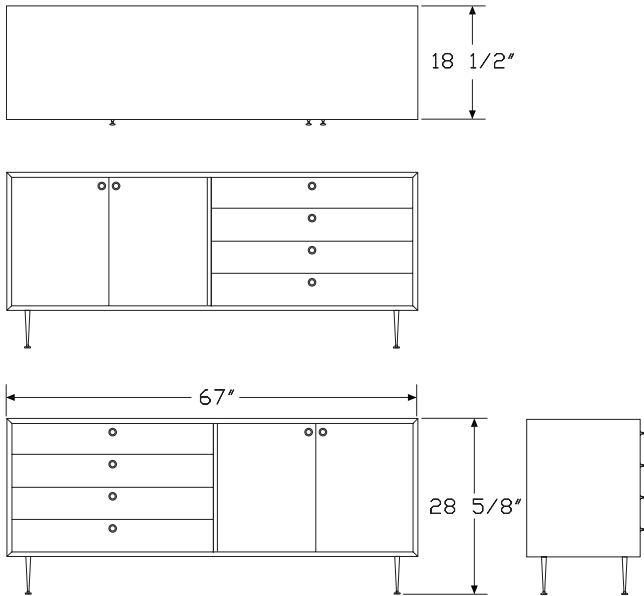
The unfinished back panel (BCF) option is intended for applications where this chest will be placed against a wall.

For the walnut and dark brown walnut combination (RT) option, the case finish is walnut (OU) and the drawer or door fronts are dark brown walnut (40).

For the white ash and walnut combination (UR) option, the case finish is white ash (A2) and the drawer or door fronts are walnut (OU).

Santos palisander veneer is celebrated for its unique grain and color variations. Similar products ordered in multiples or dissimilar products ordered separately should be expected to have variation in both grain and color characteristics; no two products will look exactly alike.

Dimensions



Specification Information

Step 1.

TE2167. [A]

Step 2. Type

R 4 drawer buffet with 2 doors [A]

L 4 drawer buffet with 2 left doors [A]

Step 3. Leg

H 7" polished aluminum with height adjustable glide [A]

Step 4. Pull

A aluminum alloy pull, silver [A]

B metal pull, aluminum [A]

C metal pull, white [A]

D metal pull, black [A]

Prices for Steps 1-4.

		A	B	C	D
TE2167.	R H	\$8096	8149	8149	8149
	L H	\$8096	8149	8149	8149

Step 5. Case Finish

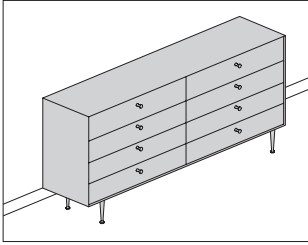
OU	walnut [A]				+\$0
A2	white ash [A]				+\$384
RT	walnut and dark brown walnut combination [A]				+\$384
UR	white ash and walnut combination [A]				+\$384
9N	santos palisander [A]				+\$8991

Step 6. Back Panel

		OU	A2	RT	UR	9N
BCF	unfinished (matte black) [A]	+\$0	0	0	0	0
BCG	finished alike [A]	+\$260	260	260	260	2796

Nelson™ Thin Edge Double Dresser

TE0204



HermanMiller Collection—Storage

Product Information

Description

This double dresser has polished aluminum legs. The 8 drawers have solid wood construction with soft closing slides.

Notes

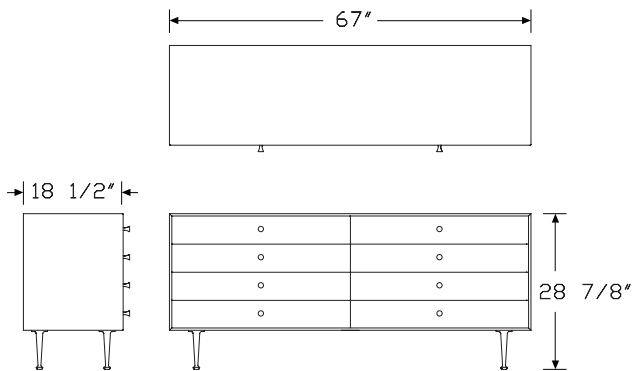
The unfinished back panel (BCF) option is intended for applications where this dresser will be placed against a wall.

For the walnut and dark brown walnut combination (RT) option, the case finish is walnut (OU) and the drawer or door fronts are dark brown walnut (40).

For the white ash and walnut combination (UR) option, the case finish is white ash (A2) and the drawer or door fronts are walnut (OU).

Santos palisander veneer is celebrated for its unique grain and color variations. Similar products ordered in multiples or dissimilar products ordered separately should be expected to have variation in both grain and color characteristics; no two products will look exactly alike.

Dimensions



Specification Information

Step 1.

TE0204. A

Step 2. Type

J eight drawer dresser A

Step 3. Leg

H 7" polished aluminum with height adjustable glide A

Step 4. Pull

A aluminum alloy pull, silver A

B metal pull, aluminum A

C metal pull, white A

D metal pull, black A

Prices for Steps 1-4.

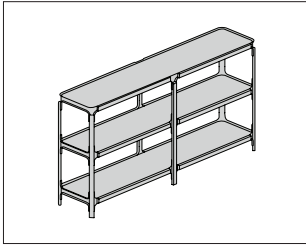
	A	B	C	D
TE0204. J H	\$6902	6953	6953	6953

Step 5. Case Finish

OU walnut A				+\$0
A2 white ash A				+\$384
RT walnut and dark brown walnut combination A				+\$384
UR white ash and walnut combination A				+\$384
9N santos palisander A				+\$8991

Step 6. Back Panel

	OU	A2	RT	UR	9N
BCF unfinished (matte black) A	+\$0	0	0	0	0
BCG finished alike A	+\$260	260	260	260	2796

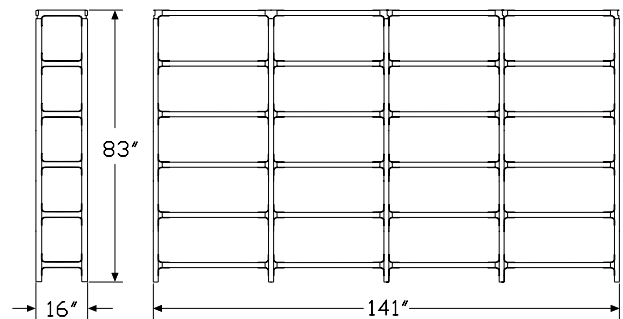
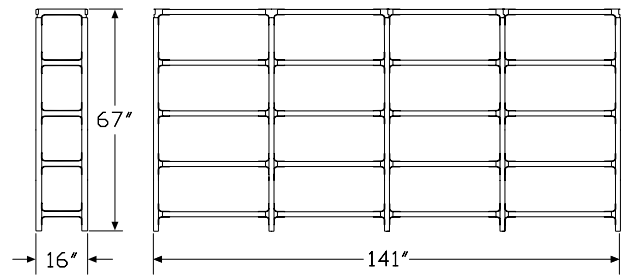
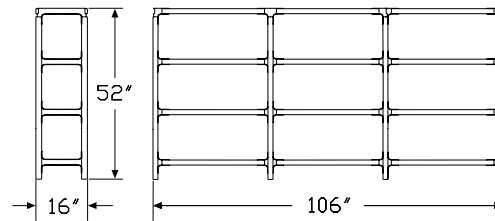
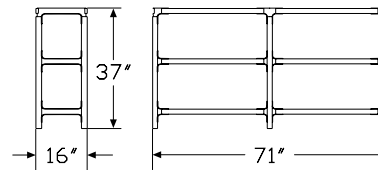
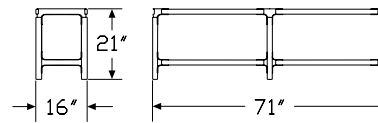


Product Information

Description

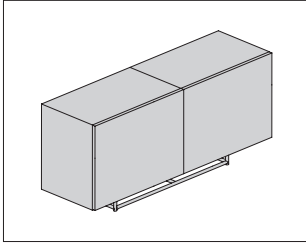
This shelving system has a natural beech frame, available in natural or painted. Steel plate joints are painted in epoxy resin. Shelves are painted medium-density fiberboard.

Dimensions



Domino Credenza

IWCS2



Product Information

Description

This credenza provides shelf storage, is 2 units wide, and comes with contrasting exterior and interior veneer. Standard interior veneer is ash, and exterior veneer is available in santos palisander, walnut, and ebony. Credenza back exterior is finished. Bases and pulls are metal with chrome or satin chrome finish. Hinged door units 26" high include 1 adjustable shelf that is 3/4" thick.

Notes

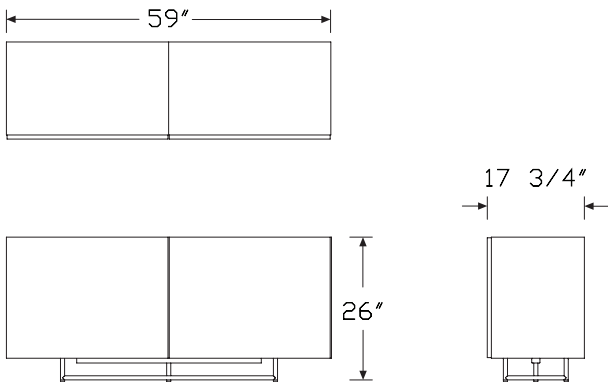
Locks are not available.

Shelves match interior finish.

Wood components in credenzas 2 and 3 units wide ship assembled.

Bases ship separately and must be field installed.

Dimensions



Specification Information

Step 1.

IWCS2C-185926 A \$4960

Step 2. Wood Finish

Matte Finishes

DAE	ebony exterior, ash interior	<input type="checkbox"/> A	+\$0
DAR	santos palisander exterior, ash interior	<input type="checkbox"/> A	+\$0
DAW	walnut exterior, ash interior	<input type="checkbox"/> A	+\$0

Step 3. Base Finish

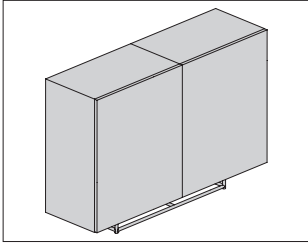
CHR	chrome	<input type="checkbox"/> A	+\$0
SAC	satin chrome	<input type="checkbox"/> A	+\$0

Step 4. Pull Finish

CHR	chrome	<input type="checkbox"/> A	+\$0
SAC	satin chrome	<input type="checkbox"/> A	+\$0

Domino Sideboard

IWSS2



HermanMiller Collection—Storage

Product Information

Description

This sideboard provides shelf storage, is 2 units wide, and comes with contrasting exterior and interior veneer. Standard interior veneer is ash, and exterior veneer is available in santos palisander, walnut, and ebony. Credenza back exterior is finished. Bases and pulls are metal with chrome or satin chrome finish. Hinged door units 40" high include 2 adjustable shelves that are each $\frac{3}{4}$ " thick.

Notes

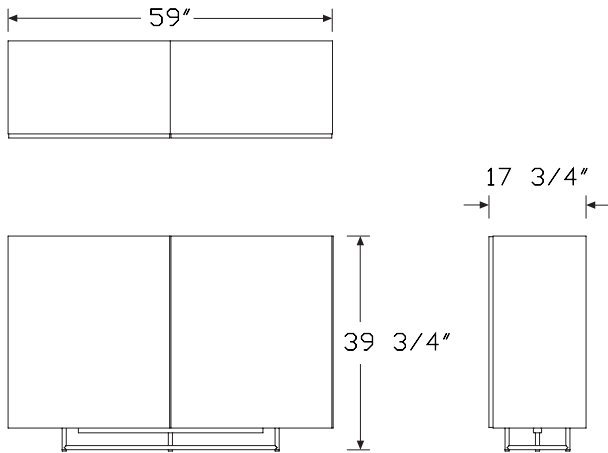
Locks are not available.

Shelves match interior finish.

Wood components in credenzas 2 and 3 units wide ship assembled.

Bases ship separately and must be field installed.

Dimensions



Specification Information

Step 1.

IWSS2C-185940 [A] \$6026

Step 2. Wood Finish

Matte Finishes

DAE ebony exterior, ash interior [A] +\$0
DAR santos palisander exterior, ash interior [A] +\$0
DAW walnut exterior, ash interior [A] +\$0

Step 3. Base Finish

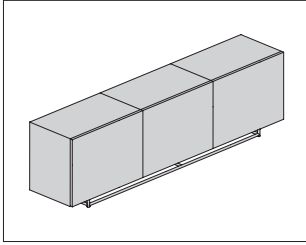
CHR chrome [A] +\$0
SAC satin chrome [A] +\$0

Step 4. Pull Finish

CHR chrome [A] +\$0
SAC satin chrome [A] +\$0

Domino Credenza

IWCS3



Product Information

Description

This credenza provides shelf storage, is 3 units wide, and comes with contrasting exterior and interior veneer. Standard interior veneer is ash, and exterior veneer is available in santos palisander, walnut, and ebony. Credenza back exterior is finished. Bases and pulls are metal with chrome or satin chrome finish. Hinged door units 26" high include 1 adjustable shelf that is 3/4" thick.

Notes

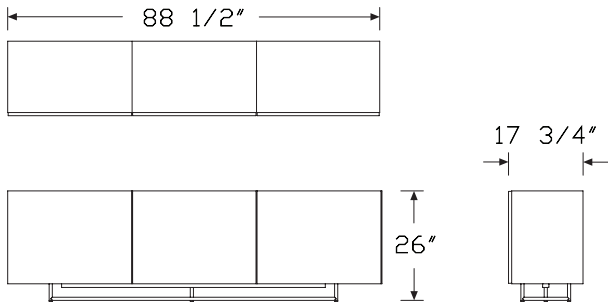
Locks are not available.

Shelves match interior finish.

Wood components in credenzas 2 and 3 units wide ship assembled.

Bases ship separately and must be field installed.

Dimensions



Specification Information

Step 1.

IWCS3C-188926 A \$7439

Step 2. Wood Finish

Matte Finishes

DAE	ebony exterior, ash interior	A	+\$0
DAR	santos palisander exterior, ash interior	A	+\$0
DAW	walnut exterior, ash interior	A	+\$0

Step 3. Base Finish

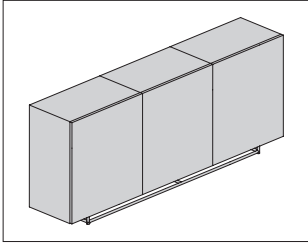
CHR	chrome	A	+\$0
SAC	satin chrome	A	+\$0

Step 4. Pull Finish

CHR	chrome	A	+\$0
SAC	satin chrome	A	+\$0

Domino Sideboard

IWSS3



HermanMiller Collection—Storage

Product Information

Description

This sideboard provides shelf storage, is 3 units wide, and comes with contrasting exterior and interior veneer. Standard interior veneer is ash, and exterior veneer is available in santos palisander, walnut, and ebony. Credenza back exterior is finished. Bases and pulls are metal with chrome or satin chrome finish. Hinged door units 40" high include 2 adjustable shelves that are each $\frac{3}{4}$ " thick.

Notes

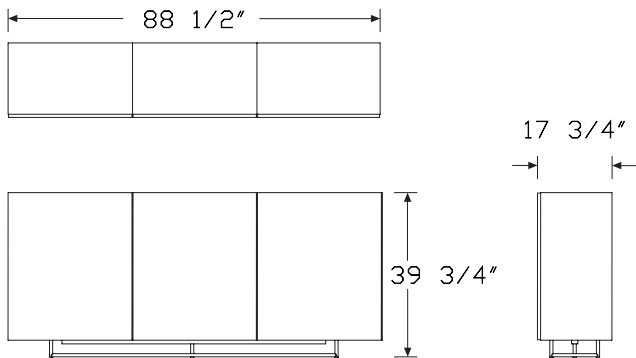
Locks are not available.

Shelves match interior finish.

Wood components in credenzas 2 and 3 units wide ship assembled.

Bases ship separately and must be field installed.

Dimensions



Specification Information

Step 1.

IWSS3C-188940 [A] \$9039

Step 2. Wood Finish

Matte Finishes

DAE ebony exterior, ash interior [A] +\$0
DAR santos palisander exterior, ash interior [A] +\$0
DAW walnut exterior, ash interior [A] +\$0

Step 3. Base Finish

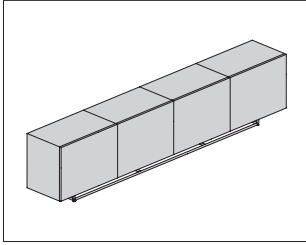
CHR chrome [A] +\$0
SAC satin chrome [A] +\$0

Step 4. Pull Finish

CHR chrome [A] +\$0
SAC satin chrome [A] +\$0

Domino Credenza

IWCS4



Product Information

Description

This credenza provides shelf storage, is 4 units wide, and comes with contrasting exterior and interior veneer. Standard interior veneer is ash, and exterior veneer is available in santos palisander, walnut, and ebony. Credenza back exterior is finished. Bases and pulls are metal with chrome or satin chrome finish. Hinged door units 26" high include 1 adjustable shelf that is 3/4" thick.

Notes

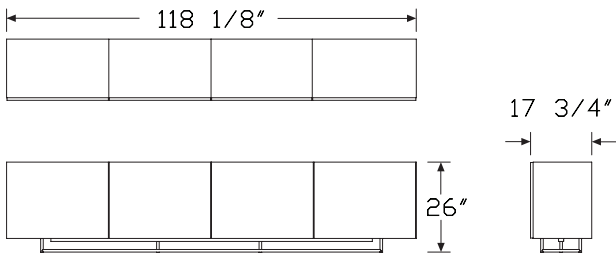
Locks are not available.

Shelves match interior finish.

Wood components in 4-unit-wide credenzas ship as 2 assembled units.

Bases ship separately and must be field installed.

Dimensions



Specification Information

Step 1.

IWCS4C-1811826 [A] \$9918

Step 2. Wood Finish

Matte Finishes

DAE	ebony exterior, ash interior	[A]	+\$0
DAR	santos palisander exterior, ash interior	[A]	+\$0
DAW	walnut exterior, ash interior	[A]	+\$0

Step 3. Base Finish

CHR	chrome	[A]	+\$0
SAC	satin chrome	[A]	+\$0

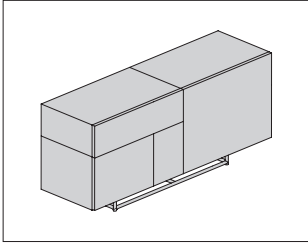
Step 4. Pull Finish

CHR	chrome	[A]	+\$0
SAC	satin chrome	[A]	+\$0

Domino Credenza

IWCM2

HermanMiller Collection—Storage



Product Information

Description

This credenza provides mixed storage, is 2 units wide, and comes with contrasting exterior and interior veneer. Standard interior veneer is ash, and exterior veneer is available in santos palisander, walnut, and ebony. Credenza back exterior is finished. Drawer boxes are quarter cut natural ash, and waste bin is a removable quarter cut natural ash box. Drawer boxes and waste bin have a hand-rubbed tung oil finish. Bases and pulls are metal with chrome or satin chrome finish. File drawers include stainless steel rods for hanging folders. Hinged door units 26" high include 1 adjustable shelf that is 3/4" thick.

Notes

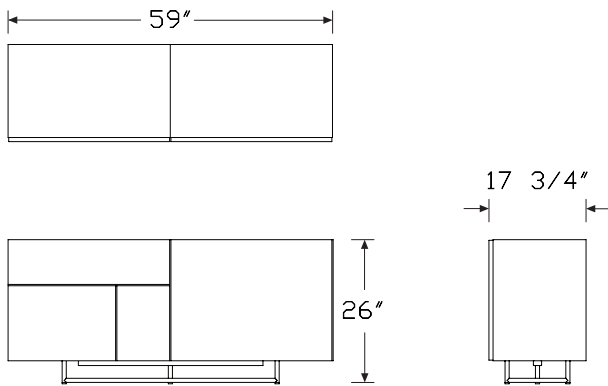
Locks are not available.

Shelves match interior finish.

Wood components in credenzas 2 and 3 units wide ship assembled.

Bases ship separately and must be field installed.

Dimensions



Specification Information

Step 1.

IWCM2C-185926 [A] \$10691

Step 2. Wood Finish

Matte Finishes

DAE	ebony exterior, ash interior	[A]	+\$0
DAR	santos palisander exterior, ash interior	[A]	+\$0
DAW	walnut exterior, ash interior	[A]	+\$0

Step 3. Base Finish

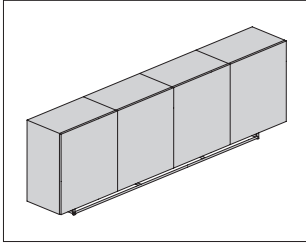
CHR	chrome	[A]	+\$0
SAC	satin chrome	[A]	+\$0

Step 4. Pull Finish

CHR	chrome	[A]	+\$0
SAC	satin chrome	[A]	+\$0

Domino Sideboard

IWSS4



Product Information

Description

This sideboard provides shelf storage, is 4 units wide, and comes with contrasting exterior and interior veneer. Standard interior veneer is ash, and exterior veneer is available in santos palisander, walnut, and ebony. Credenza back exterior is finished. Bases and pulls are metal with chrome or satin chrome finish. Hinged door units 40" high include 2 adjustable shelves that are each 3/4" thick.

Notes

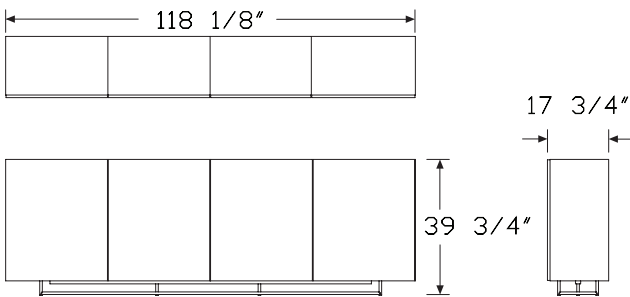
Locks are not available.

Shelves match interior finish.

Wood components in 4-unit-wide credenzas ship as 2 assembled units.

Bases ship separately and must be field installed.

Dimensions



Specification Information

Step 1.

IWSS4C-1811840 [A] \$12051

Step 2. Wood Finish

Matte Finishes

DAE	ebony exterior, ash interior [A]	+\$0
DAR	santos palisander exterior, ash interior [A]	+\$0
DAW	walnut exterior, ash interior [A]	+\$0

Step 3. Base Finish

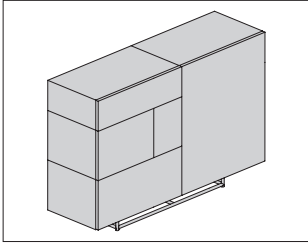
CHR	chrome [A]	+\$0
SAC	satin chrome [A]	+\$0

Step 4. Pull Finish

CHR	chrome [A]	+\$0
SAC	satin chrome [A]	+\$0

Domino Sideboard

IWSM2



HermanMiller Collection—Storage

Product Information

Description

This sideboard provides mixed storage, is 2 units wide, and comes with contrasting exterior and interior veneer. Standard interior veneer is ash, and exterior veneer is available in santos palisander, walnut, and ebony. Credenza back exterior is finished. Drawer boxes are quarter cut natural ash, and waste bin is a removable quarter cut natural ash box. Drawer boxes and waste bin have a hand-rubbed tung oil finish. Bases and pulls are metal with chrome or satin chrome finish. File drawers include stainless steel rods for hanging folders. Hinged door units 40" high include 2 adjustable shelves that are each 3/4" thick.

Notes

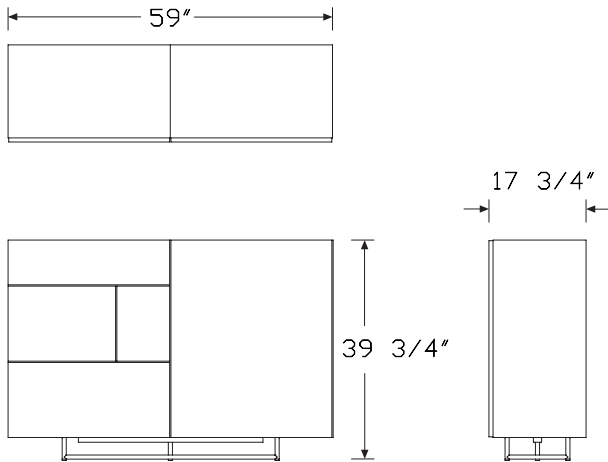
Locks are not available.

Shelves match interior finish.

Wood components in credenzas 2 and 3 units wide ship assembled.

Bases ship separately and must be field installed.

Dimensions



Specification Information

Step 1.

IWSM2C-185940 [A] \$13875

Step 2. Wood Finish

Matte Finishes

DAE	ebony exterior, ash interior [A]	+\$0
DAR	santos palisander exterior, ash interior [A]	+\$0
DAW	walnut exterior, ash interior [A]	+\$0

Step 3. Base Finish

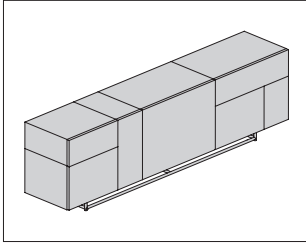
CHR	chrome [A]	+\$0
SAC	satin chrome [A]	+\$0

Step 4. Pull Finish

CHR	chrome [A]	+\$0
SAC	satin chrome [A]	+\$0

Domino Credenza

IWCM3



Product Information

Description

This credenza provides mixed storage, is 3 units wide, and comes with contrasting exterior and interior veneer. Standard interior veneer is ash, and exterior veneer is available in santos palisander, walnut, and ebony. Credenza back exterior is finished. Drawer boxes are quarter cut natural ash, and waste bin is a removable quarter cut natural ash box. Drawer boxes and waste bin have a hand-rubbed tung oil finish. Bases and pulls are metal with chrome or satin chrome finish. File drawers include stainless steel rods for hanging folders. Hinged door units 26" high include 1 adjustable shelf that is 3/4" thick.

Notes

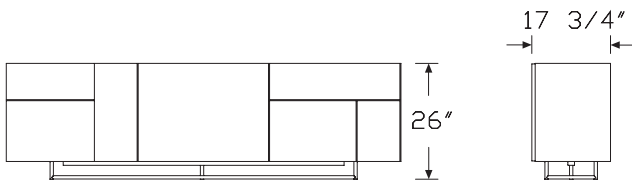
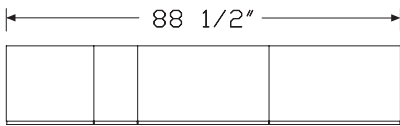
Locks are not available.

Shelves match interior finish.

Wood components in credenzas 2 and 3 units wide ship assembled.

Bases ship separately and must be field installed.

Dimensions



Specification Information

Step 1.

IWCM3C-188926 A \$18582

Step 2. Wood Finish

Matte Finishes

DAE	ebony exterior, ash interior	A	+\$0
DAR	santos palisander exterior, ash interior	A	+\$0
DAW	walnut exterior, ash interior	A	+\$0

Step 3. Base Finish

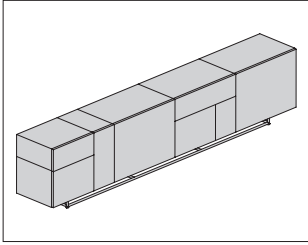
CHR	chrome	A	+\$0
SAC	satin chrome	A	+\$0

Step 4. Pull Finish

CHR	chrome	A	+\$0
SAC	satin chrome	A	+\$0

Domino Credenza

IWCM4



HermanMiller Collection—Storage

Product Information

Description

This credenza provides mixed storage, is 4 units wide, and comes with contrasting exterior and interior veneer. Standard interior veneer is ash, and exterior veneer is available in santos palisander, walnut, and ebony. Credenza back exterior is finished. Drawer boxes are quarter cut natural ash, and waste bin is a removable quarter cut natural ash box. Drawer boxes and waste bin have a hand-rubbed tung oil finish. Bases and pulls are metal with chrome or satin chrome finish. File drawers include stainless steel rods for hanging folders. Hinged door units 26" high include 1 adjustable shelf that is 3/4" thick.

Notes

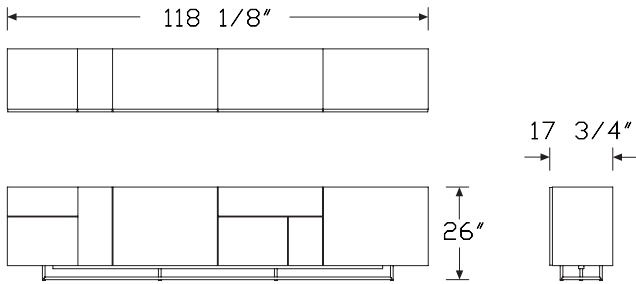
Locks are not available.

Shelves match interior finish.

Wood components in 4-unit-wide credenzas ship as 2 assembled units.

Bases ship separately and must be field installed.

Dimensions



Specification Information

Step 1.

IWCM4C-1811826 A \$21061

Step 2. Wood Finish

Matte Finishes

DAE	ebony exterior, ash interior	A	+ \$0
DAR	santos palisander exterior, ash interior	A	+ \$0
DAW	walnut exterior, ash interior	A	+ \$0

Step 3. Base Finish

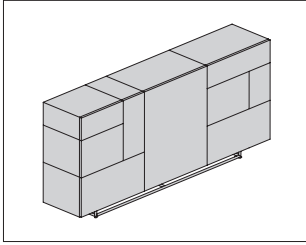
CHR	chrome	A	+ \$0
SAC	satin chrome	A	+ \$0

Step 4. Pull Finish

CHR	chrome	A	+ \$0
SAC	satin chrome	A	+ \$0

Domino Sideboard

IWSM3



Product Information

Description

This sideboard provides mixed storage, is 3 units wide, and comes with contrasting exterior and interior veneer. Standard interior veneer is ash, and exterior veneer is available in santos palisander, walnut, and ebony. Credenza back exterior is finished. Drawer boxes are quarter cut natural ash, and waste bin is a removable quarter cut natural ash box. Drawer boxes and waste bin have a hand-rubbed tung oil finish. Bases and pulls are metal with chrome or satin chrome finish. File drawers include stainless steel rods for hanging folders. Hinged door units 40" high include 2 adjustable shelves that are each 3/4" thick.

Notes

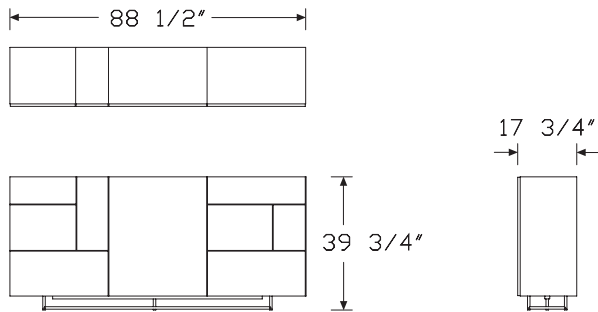
Locks are not available.

Shelves match interior finish.

Wood components in credenzas 2 and 3 units wide ship assembled.

Bases ship separately and must be field installed.

Dimensions



Specification Information

Step 1.

IWSM3C-188940 A \$24415

Step 2. Wood Finish

Matte Finishes

DAE	ebony exterior, ash interior	A	+\$0
DAR	santos palisander exterior, ash interior	A	+\$0
DAW	walnut exterior, ash interior	A	+\$0

Step 3. Base Finish

CHR	chrome	A	+\$0
SAC	satin chrome	A	+\$0

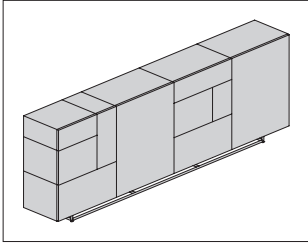
Step 4. Pull Finish

CHR	chrome	A	+\$0
SAC	satin chrome	A	+\$0

Domino Sideboard

IWSM4

HermanMiller Collection—Storage



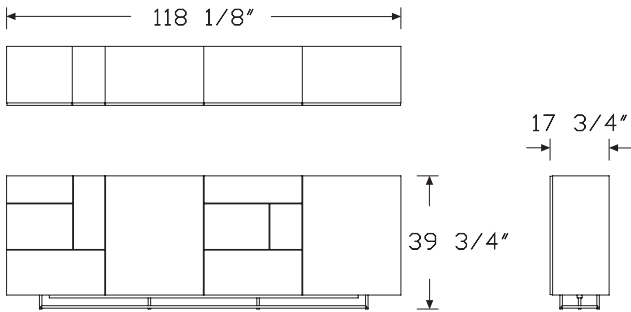
Product Information

Description
 This sideboard provides mixed storage, is 4 units wide, and comes with contrasting exterior and interior veneer. Standard interior veneer is ash, and exterior veneer is available in santos palisander, walnut, and ebony. Credenza back exterior is finished. Drawer boxes are quarter cut natural ash, and waste bin is a removable quarter cut natural ash box. Drawer boxes and waste bin have a hand-rubbed tung oil finish. Bases and pulls are metal with chrome or satin chrome finish. File drawers include stainless steel rods for hanging folders. Hinged door units 40" high include 2 adjustable shelves that are each 3/4" thick.

Notes

Locks are not available.
 Shelves match interior finish.
 Wood components in 4-unit-wide credenzas ship as 2 assembled units.
 Bases ship separately and must be field installed.

Dimensions



Specification Information

Step 1.
IWSM4C-1811840 [A] \$27401

Step 2. Wood Finish

Matte Finishes

DAE	ebony exterior, ash interior	[A]	+\$0
DAR	santos palisander exterior, ash interior	[A]	+\$0
DAW	walnut exterior, ash interior	[A]	+\$0

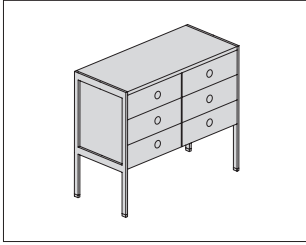
Step 3. Base Finish

CHR	chrome	[A]	+\$0
SAC	satin chrome	[A]	+\$0

Step 4. Pull Finish

CHR	chrome	[A]	+\$0
SAC	satin chrome	[A]	+\$0

H-Frame Credenza One Unit Wide JCH1-



Product Information

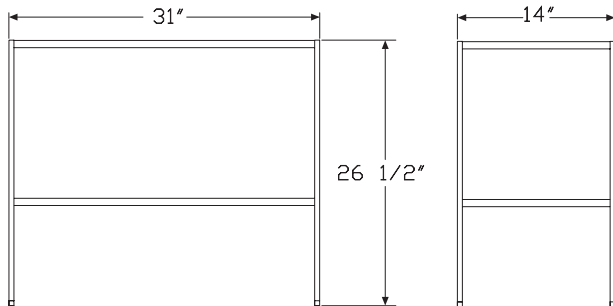
Description

This one-unit wide H-frame credenza has a wooden top and includes 1/2"-thick metal frame gables on the ends. H-frame credenzas are modular and shipped partially assembled.

Notes

All hardware for assembly is included.
 Drawer credenzas include wood boxes and self-closing hidden drawer slides.
 CG six box drawer credenza includes pencil trays and felt lining in bottom of top two drawers.
 When applicable, Ward Bennett Flip pulls come in matching metal finish.
 Santos palisander veneer is celebrated for its unique grain and color variations. Similar products ordered in multiples or dissimilar products ordered separately should be expected to have variation in both grain and color characteristics; no two products will look exactly alike.

Dimensions



Specification Information

Step 1.

JCH1 A

Step 2. Size

-1431 14" deep x 31" wide x 26 1/2" high A

Step 3. Configuration

- C1** open shelf A
- C2** two doors A
- CF** two 15" file drawers A
- CG** six box drawers (top two pencil trays) A
- CH** one file drawer A
- CK** three box drawers A

Prices for Steps 1-3.

JCH1-1431	-C1	\$2673
	-C2	\$3833
	-CF	\$4072
	-CG	\$5637
	-CH	\$3978
	-CK	\$4753

Step 4. Wood Finish

Premium Veneer - Low Sheen

For open shelf (-C1)

921	champagne beech (natural) A	+\$0
931	champagne anigre (natural) A	+\$1070
932	sundance anigre A	+\$1070
933	caramel anigre A	+\$1070
934	henna anigre A	+\$1070
941	natural beech A	+\$0
942	sundance cherry (natural) A	+\$0
943	caramel cherry A	+\$0
944	henna cherry A	+\$0
945	port cherry A	+\$0
946	cocoa cherry A	+\$0
951	natural anigre A	+\$1070
954	henna sapele A	+\$0
955	port sapele A	+\$0
956	cocoa sapele A	+\$0
957	espresso sapele A	+\$0
962	toasted walnut, low sheen A	+\$0
963	charred walnut, low sheen A	+\$0
964	bronzed walnut, low sheen A	+\$0
965	smoked walnut, low sheen A	+\$0

H-Frame Credenza One Unit Wide

continued

HermanMiller Collection—Storage

966	coffee walnut, low sheen A	+\$0
967	smoked paldao, low sheen A	+\$401
969	warm paldao, low sheen A	+\$401
973	caramel walnut A	+\$0
974	henna walnut A	+\$0
975	port walnut A	+\$0
976	cocoa walnut A	+\$0
977	chocolate ash, low sheen A	+\$0
978	natural oak A	+\$0
981	champagne hickory (natural) A	+\$0
98R	recograin rosewood A	+\$0
991	champagne ash A	+\$0
998	ebony ash A	+\$0
99A	recograin frosty ash A	+\$0
99R	recograin rosewood A	+\$0
99T	recograin teak A	+\$0
9A1	white ash, quarter cut, low sheen A	+\$0
9K1	rift oak, rift cut, low sheen A	+\$0
9K6	burnt oak, rift cut, low sheen A	+\$0
ED	aged cherry A	+\$0
EK	medium red walnut A	+\$0
G2U	light brown walnut, low sheen A	+\$0
G40	dark brown walnut, low sheen A	+\$0
UX	walnut on cherry A	+\$0

Premium Veneer - Matte

For open shelf (-C1)

662	toasted walnut, matte sheen A	+\$0
663	charred walnut, matte sheen A	+\$0
664	bronzed walnut, matte sheen A	+\$0
665	smoked walnut, matte sheen A	+\$0
666	coffee walnut, matte sheen A	+\$0
667	smoked paldao, quarter cut, matte sheen A	+\$401
669	warm paldao, quarter cut, matte sheen A	+\$401
66A	recograin frosty ash A	+\$0
677	chocolate ash, matte sheen A	+\$0
678	natural oak A	+\$0
68R	recograin rosewood A	+\$0
69A	recograin frosty ash A	+\$0
69R	recograin rosewood A	+\$0
69T	recograin teak A	+\$0
6A1	white ash A	+\$0
6A2	platinum ash A	+\$0
6K1	rift oak A	+\$0
6K6	burnt oak A	+\$0
ET	clear on ash A	+\$0
EU	oak on ash A	+\$0
EV	walnut on ash A	+\$0
GOU	natural walnut, flat cut, matte sheen A	+\$0

RecoGrain Veneer

For open shelf (-C1)

66G	recograin wenge A	-\$134
68W	recograin walnut, flat cut, matte sheen A	-\$134
69G	recograin wenge A	-\$134
69K	recograin oak, quarter cut, matte sheen A	-\$134
69W	recograin walnut, quarter cut, matte sheen A	-\$134

Recon Veneer -

For open shelf (-C1)

96G	wenge recograin, quarter cut, low sheen A	-\$134
98W	recograin walnut, flat cut, low sheen A	-\$134
99G	recograin wenge, quarter cut, low sheen A	-\$134
99K	recograin oak, quarter cut, low sheen A	-\$134
99W	recograin walnut, quarter cut, low sheen A	-\$134

H-Frame Credenza One Unit Wide

continued

Premium Veneer - Low Sheen

For two doors (-C2)

931	champagne anigre (natural) A	+\$1534
932	sundance anigre A	+\$1534
933	caramel anigre A	+\$1534
934	henna anigre A	+\$1534
941	natural beech A	+\$0
942	sundance cherry (natural) A	+\$0
943	caramel cherry A	+\$0
946	cocoa cherry A	+\$0
951	natural anigre A	+\$1534
956	cocoa sapele A	+\$0
962	toasted walnut, low sheen A	+\$0
963	charred walnut, low sheen A	+\$0
964	bronzed walnut, low sheen A	+\$0
965	smoked walnut, low sheen A	+\$0
966	coffee walnut, low sheen A	+\$0
967	smoked paldao, low sheen A	+\$575
969	warm paldao, low sheen A	+\$575
977	chocolate ash, low sheen A	+\$0
978	natural oak A	+\$0
981	champagne hickory (natural) A	+\$0
98R	recoGrain rosewood A	+\$0
991	champagne ash A	+\$0
998	ebony ash A	+\$0
99A	recoGrain frosty ash A	+\$0
99R	recoGrain rosewood A	+\$0
99T	recoGrain teak A	+\$0
9A1	white ash, quarter cut, low sheen A	+\$0
9K1	rift oak, rift cut, low sheen A	+\$0
9K6	burnt oak, rift cut, low sheen A	+\$0
ED	aged cherry A	+\$0
EK	medium red walnut A	+\$0
G2U	light brown walnut, low sheen A	+\$0
G40	dark brown walnut, low sheen A	+\$0
UX	walnut on cherry A	+\$0

Premium Veneer - Matte

For two doors (-C2)

662	toasted walnut, matte sheen A	+\$0
663	charred walnut, matte sheen A	+\$0
664	bronzed walnut, matte sheen A	+\$0
665	smoked walnut, matte sheen A	+\$0
666	coffee walnut, matte sheen A	+\$0
66A	recoGrain frosty ash A	+\$0
677	chocolate ash, matte sheen A	+\$0
678	natural oak A	+\$0
68R	recoGrain rosewood A	+\$0
69A	recoGrain frosty ash A	+\$0
69R	recoGrain rosewood A	+\$0
69T	recoGrain teak A	+\$0
6A1	white ash A	+\$0
6K1	rift oak A	+\$0
6K6	burnt oak A	+\$0
ET	clear on ash A	+\$0
EU	oak on ash A	+\$0
EV	walnut on ash A	+\$0
GOU	natural walnut, flat cut, matte sheen A	+\$0

RecoGrain Veneer

For two doors (-C2)

66G	recoGrain wenge A	-\$192
68W	recoGrain walnut, flat cut, matte sheen A	-\$192
69G	recoGrain wenge A	-\$192
69K	recoGrain oak, quarter cut, matte sheen A	-\$192
69W	recoGrain walnut, quarter cut, matte sheen A	-\$192

Recon Veneer -

For two doors (-C2)

96G	wenge recoGrain, quarter cut, low sheen A	-\$192
98W	recoGrain walnut, flat cut, low sheen A	-\$192
99G	recoGrain wenge, quarter cut, low sheen A	-\$192
99K	recoGrain oak, quarter cut, low sheen A	-\$192
99W	recoGrain walnut, quarter cut, low sheen A	-\$192

H-Frame Credenza One Unit Wide

continued

HermanMiller Collection—Storage

Premium Veneer - Low Sheen		
<i>For two 15" file drawers (-CF)</i>		
931	champagne anigre (natural) A	+\$1629
932	sundance anigre A	+\$1629
933	caramel anigre A	+\$1629
934	henna anigre A	+\$1629
941	natural beech A	+\$0
942	sundance cherry (natural) A	+\$0
943	caramel cherry A	+\$0
946	cocoa cherry A	+\$0
951	natural anigre A	+\$1629
956	cocoa sapele A	+\$0
962	toasted walnut, low sheen A	+\$0
963	charred walnut, low sheen A	+\$0
964	bronzed walnut, low sheen A	+\$0
965	smoked walnut, low sheen A	+\$0
966	coffee walnut, low sheen A	+\$0
967	smoked paldao, low sheen A	+\$611
969	warm paldao, low sheen A	+\$611
977	chocolate ash, low sheen A	+\$0
978	natural oak A	+\$0
981	champagne hickory (natural) A	+\$0
98R	recograin rosewood A	+\$0
991	champagne ash A	+\$0
998	ebony ash A	+\$0
99A	recograin frosty ash A	+\$0
99R	recograin rosewood A	+\$0
99T	recograin teak A	+\$0
9A1	white ash, quarter cut, low sheen A	+\$0
9K1	rift oak, rift cut, low sheen A	+\$0
9K6	burnt oak, rift cut, low sheen A	+\$0
ED	aged cherry A	+\$0
EK	medium red walnut A	+\$0
G2U	light brown walnut, low sheen A	+\$0
G40	dark brown walnut, low sheen A	+\$0
UX	walnut on cherry A	+\$0

Premium Veneer - Matte		
<i>For two 15" file drawers (-CF)</i>		
662	toasted walnut, matte sheen A	+\$0
663	charred walnut, matte sheen A	+\$0
664	bronzed walnut, matte sheen A	+\$0
665	smoked walnut, matte sheen A	+\$0
666	coffee walnut, matte sheen A	+\$0
667	smoked paldao, quarter cut, matte sheen A	+\$611
669	warm paldao, quarter cut, matte sheen A	+\$611
66A	recograin frosty ash A	+\$0
677	chocolate ash, matte sheen A	+\$0
678	natural oak A	+\$0
68R	recograin rosewood A	+\$0
69A	recograin frosty ash A	+\$0
69R	recograin rosewood A	+\$0
69T	recograin teak A	+\$0
6A1	white ash A	+\$0
6K1	rift oak A	+\$0
6K6	burnt oak A	+\$0
ET	clear on ash A	+\$0
EU	oak on ash A	+\$0
EV	walnut on ash A	+\$0
GOU	natural walnut, flat cut, matte sheen A	+\$0

RecoGrain Veneer		
<i>For two 15" file drawers (-CF)</i>		
66G	recograin wenge A	-\$204
68W	recograin walnut, flat cut, matte sheen A	-\$204
69G	recograin wenge A	-\$204
69K	recograin oak, quarter cut, matte sheen A	-\$204
69W	recograin walnut, quarter cut, matte sheen A	-\$204

Recon Veneer -		
<i>For two 15" file drawers (-CF)</i>		
96G	wenge recograin, quarter cut, low sheen A	-\$204
98W	recograin walnut, flat cut, low sheen A	-\$204
99G	recograin wenge, quarter cut, low sheen A	-\$204
99K	recograin oak, quarter cut, low sheen A	-\$204
99W	recograin walnut, quarter cut, low sheen A	-\$204

H-Frame Credenza One Unit Wide

continued

Premium Veneer - Low Sheen

For six box drawers (top two pencil trays) (-CG)

931	champagne anigre (natural) A	+\$2255
932	sundance anigre A	+\$2255
933	caramel anigre A	+\$2255
934	henna anigre A	+\$2255
941	natural beech A	+\$0
942	sundance cherry (natural) A	+\$0
943	caramel cherry A	+\$0
946	cocoa cherry A	+\$0
951	natural anigre A	+\$2255
956	cocoa sapele A	+\$0
962	toasted walnut, low sheen A	+\$0
963	charred walnut, low sheen A	+\$0
964	bronzed walnut, low sheen A	+\$0
965	smoked walnut, low sheen A	+\$0
966	coffee walnut, low sheen A	+\$0
967	smoked paldao, low sheen A	+\$846
969	warm paldao, low sheen A	+\$846
977	chocolate ash, low sheen A	+\$0
978	natural oak A	+\$0
981	champagne hickory (natural) A	+\$0
98R	recoGrain rosewood A	+\$0
991	champagne ash A	+\$0
998	ebony ash A	+\$0
99A	recoGrain frosty ash A	+\$0
99R	recoGrain rosewood A	+\$0
99T	recoGrain teak A	+\$0
9A1	white ash, quarter cut, low sheen A	+\$0
9K1	rift oak, rift cut, low sheen A	+\$0
9K6	burnt oak, rift cut, low sheen A	+\$0
ED	aged cherry A	+\$0
EK	medium red walnut A	+\$0
G2U	light brown walnut, low sheen A	+\$0
G40	dark brown walnut, low sheen A	+\$0
UX	walnut on cherry A	+\$0

Premium Veneer - Matte

For six box drawers (top two pencil trays) (-CG)

662	toasted walnut, matte sheen A	+\$0
663	charred walnut, matte sheen A	+\$0
664	bronzed walnut, matte sheen A	+\$0
665	smoked walnut, matte sheen A	+\$0
666	coffee walnut, matte sheen A	+\$0
667	smoked paldao, quarter cut, matte sheen A	+\$846
669	warm paldao, quarter cut, matte sheen A	+\$846
66A	recoGrain frosty ash A	+\$0
677	chocolate ash, matte sheen A	+\$0
678	natural oak A	+\$0
68R	recoGrain rosewood A	+\$0
69A	recoGrain frosty ash A	+\$0
69R	recoGrain rosewood A	+\$0
69T	recoGrain teak A	+\$0
6A1	white ash A	+\$0
6K1	rift oak A	+\$0
6K6	burnt oak A	+\$0
ET	clear on ash A	+\$0
EU	oak on ash A	+\$0
EV	walnut on ash A	+\$0
GOU	natural walnut, flat cut, matte sheen A	+\$0

RecoGrain Veneer

For six box drawers (top two pencil trays) (-CG)

66G	recoGrain wenge A	-\$282
68W	recoGrain walnut, flat cut, matte sheen A	-\$282
69G	recoGrain wenge A	-\$282
69K	recoGrain oak, quarter cut, matte sheen A	-\$282
69W	recoGrain walnut, quarter cut, matte sheen A	-\$282

Recon Veneer -

For six box drawers (top two pencil trays) (-CG)

96G	wenge recoGrain, quarter cut, low sheen A	-\$282
98W	recoGrain walnut, flat cut, low sheen A	-\$282
99G	recoGrain wenge, quarter cut, low sheen A	-\$282
99K	recoGrain oak, quarter cut, low sheen A	-\$282
99W	recoGrain walnut, quarter cut, low sheen A	-\$282

H-Frame Credenza One Unit Wide

continued

Premium Veneer - Low Sheen

For one file drawer (-CH)

931	champagne anigre (natural) A	+\$1592
932	sundance anigre A	+\$1592
933	caramel anigre A	+\$1592
934	henna anigre A	+\$1592
941	natural beech A	+\$0
942	sundance cherry (natural) A	+\$0
943	caramel cherry A	+\$0
946	cocoa cherry A	+\$0
951	natural anigre A	+\$1592
956	cocoa sapele A	+\$0
962	toasted walnut, low sheen A	+\$0
963	charred walnut, low sheen A	+\$0
964	bronzed walnut, low sheen A	+\$0
965	smoked walnut, low sheen A	+\$0
966	coffee walnut, low sheen A	+\$0
967	smoked paldao, low sheen A	+\$597
969	warm paldao, low sheen A	+\$597
977	chocolate ash, low sheen A	+\$0
978	natural oak A	+\$0
981	champagne hickory (natural) A	+\$0
98R	recograin rosewood A	+\$0
991	champagne ash A	+\$0
998	ebony ash A	+\$0
99A	recograin frosty ash A	+\$0
99R	recograin rosewood A	+\$0
99T	recograin teak A	+\$0
9A1	white ash, quarter cut, low sheen A	+\$0
9K1	rift oak, rift cut, low sheen A	+\$0
9K6	burnt oak, rift cut, low sheen A	+\$0
ED	aged cherry A	+\$0
EK	medium red walnut A	+\$0
G2U	light brown walnut, low sheen A	+\$0
G40	dark brown walnut, low sheen A	+\$0
UX	walnut on cherry A	+\$0

Premium Veneer - Matte

For one file drawer (-CH)

662	toasted walnut, matte sheen A	+\$0
663	charred walnut, matte sheen A	+\$0
664	bronzed walnut, matte sheen A	+\$0
665	smoked walnut, matte sheen A	+\$0
666	coffee walnut, matte sheen A	+\$0
667	smoked paldao, quarter cut, matte sheen A	+\$597
669	warm paldao, quarter cut, matte sheen A	+\$597
66A	recograin frosty ash A	+\$0
677	chocolate ash, matte sheen A	+\$0
678	natural oak A	+\$0
68R	recograin rosewood A	+\$0
69A	recograin frosty ash A	+\$0
69R	recograin rosewood A	+\$0
69T	recograin teak A	+\$0
6A1	white ash A	+\$0
6K1	rift oak A	+\$0
6K6	burnt oak A	+\$0
ET	clear on ash A	+\$0
EU	oak on ash A	+\$0
EV	walnut on ash A	+\$0
GOU	natural walnut, flat cut, matte sheen A	+\$0

RecoGrain Veneer

For one file drawer (-CH)

66G	recograin wenge A	-\$199
68W	recograin walnut, flat cut, matte sheen A	-\$199
69G	recograin wenge A	-\$199
69K	recograin oak, quarter cut, matte sheen A	-\$199
69W	recograin walnut, quarter cut, matte sheen A	-\$199

Recon Veneer -

For one file drawer (-CH)

96G	wenge recograin, quarter cut, low sheen A	-\$199
98W	recograin walnut, flat cut, low sheen A	-\$199
99G	recograin wenge, quarter cut, low sheen A	-\$199
99K	recograin oak, quarter cut, low sheen A	-\$199
99W	recograin walnut, quarter cut, low sheen A	-\$199

H-Frame Credenza One Unit Wide

continued

Premium Veneer - Low Sheen

For three box drawers (-CK)

931	champagne anigre (natural) A	+\$1902
932	sundance anigre A	+\$1902
933	caramel anigre A	+\$1902
934	henna anigre A	+\$1902
941	natural beech A	+\$0
942	sundance cherry (natural) A	+\$0
943	caramel cherry A	+\$0
946	cocoa cherry A	+\$0
951	natural anigre A	+\$1902
956	cocoa sapele A	+\$0
962	toasted walnut, low sheen A	+\$0
963	charred walnut, low sheen A	+\$0
964	bronzed walnut, low sheen A	+\$0
965	smoked walnut, low sheen A	+\$0
966	coffee walnut, low sheen A	+\$0
967	smoked paldao, low sheen A	+\$713
969	warm paldao, low sheen A	+\$713
977	chocolate ash, low sheen A	+\$0
978	natural oak A	+\$0
981	champagne hickory (natural) A	+\$0
98R	recoGrain rosewood A	+\$0
991	champagne ash A	+\$0
998	ebony ash A	+\$0
99A	recoGrain frosty ash A	+\$0
99R	recoGrain rosewood A	+\$0
99T	recoGrain teak A	+\$0
9A1	white ash, quarter cut, low sheen A	+\$0
9K1	rift oak, rift cut, low sheen A	+\$0
9K6	burnt oak, rift cut, low sheen A	+\$0
ED	aged cherry A	+\$0
EK	medium red walnut A	+\$0
G2U	light brown walnut, low sheen A	+\$0
G40	dark brown walnut, low sheen A	+\$0
UX	walnut on cherry A	+\$0

Premium Veneer - Matte

For three box drawers (-CK)

662	toasted walnut, matte sheen A	+\$0
663	charred walnut, matte sheen A	+\$0
664	bronzed walnut, matte sheen A	+\$0
665	smoked walnut, matte sheen A	+\$0
666	coffee walnut, matte sheen A	+\$0
667	smoked paldao, quarter cut, matte sheen A	+\$713
669	warm paldao, quarter cut, matte sheen A	+\$713
66A	recoGrain frosty ash A	+\$0
677	chocolate ash, matte sheen A	+\$0
678	natural oak A	+\$0
68R	recoGrain rosewood A	+\$0
69A	recoGrain frosty ash A	+\$0
69R	recoGrain rosewood A	+\$0
69T	recoGrain teak A	+\$0
6A1	white ash A	+\$0
6K1	rift oak A	+\$0
6K6	burnt oak A	+\$0
ET	clear on ash A	+\$0
EU	oak on ash A	+\$0
EV	walnut on ash A	+\$0
GOU	natural walnut, flat cut, matte sheen A	+\$0

RecoGrain Veneer

For three box drawers (-CK)

66G	recoGrain wenge A	-\$238
68W	recoGrain walnut, flat cut, matte sheen A	-\$238
69G	recoGrain wenge A	-\$238
69K	recoGrain oak, quarter cut, matte sheen A	-\$238
69W	recoGrain walnut, quarter cut, matte sheen A	-\$238

Recon Veneer -

For three box drawers (-CK)

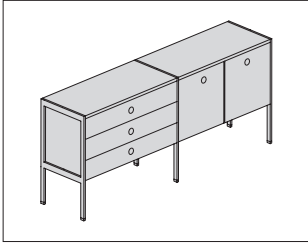
96G	wenge recoGrain, quarter cut, low sheen A	-\$238
98W	recoGrain walnut, flat cut, low sheen A	-\$238
99G	recoGrain wenge, quarter cut, low sheen A	-\$238
99K	recoGrain oak, quarter cut, low sheen A	-\$238
99W	recoGrain walnut, quarter cut, low sheen A	-\$238

Step 5. Metal Finish

BNZ	bronze A	+\$0
CHR	chrome A	+\$0
SAC	satin chrome A	+\$0

H-Frame Credenza Two Units Wide

JCH2-



Product Information

Description

This two-unit wide H-frame credenza has a wooden top and includes 1/2"-thick metal frame gables on the ends. H-frame credenzas are modular and shipped partially assembled.

Notes

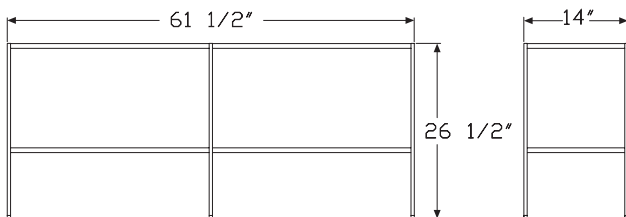
All hardware for assembly is included.

Drawer credenzas include wood boxes and self-closing hidden drawer slides.

CG six box drawer credenza includes pencil trays and felt lining in bottom of top two drawers.

When applicable, Ward Bennett Flip pulls come in matching metal finish. Santos palisander veneer is celebrated for its unique grain and color variations. Similar products ordered in multiples or dissimilar products ordered separately should be expected to have variation in both grain and color characteristics; no two products will look exactly alike.

Dimensions



Specification Information

Step 1.

JCH2 A

Step 2. Size

-1462 14" deep x 61 1/2" wide x 26 1/2" high A

Step 3. Configuration - left unit

- C1** open shelf A
- C2** two doors A
- CF** two 15" file drawers A
- CH** one file drawer A
- CK** three box drawers A

Step 4. Configuration - right unit

For open shelf (-C1)

C1 open shelf A

For two doors (-C2)

- C1** open shelf A
- C2** two doors A
- CG** six box drawers (top two pencil trays) A

For two 15" file drawers (-CF)

- CF** two 15" file drawers A
- CG** six box drawers (top two pencil trays) A

For one file drawer (-CH)

CH double doors left, 30" box/file right A

For three box drawers (-CK)

- C2** two doors A
- CF** two 15" file drawers A

Prices for Steps 1-4.

		C1	C2	CF	CG	CH
JCH2-1462	-C1	\$4701	—	—	—	—
	-C2	\$5221	7026	—	8825	—
	-CF	—	—	\$7504	9064	—
	-CH	—	—	—	—	\$7317
	-CK	—	\$7941	8185	—	—

H-Frame Credenza Two Units

Wide *continued*

Step 5. Wood Finish

Premium Veneer - Low Sheen

		-C1C1	-C2C1	-C2C2	-C2CG	-CFCF
931	champagne anigre (natural) A	+\$1881	2089	2811	3530	3002
932	sundance anigre A	+\$1881	2089	2811	3530	3002
933	caramel anigre A	+\$1881	2089	2811	3530	3002
934	henna anigre A	+\$1881	2089	2811	3530	3002
941	natural beech A	+\$0	0	0	0	0
942	sundance cherry (natural) A	+\$0	0	0	0	0
943	caramel cherry A	+\$0	0	0	0	0
946	cocoa cherry A	+\$0	0	0	0	0
951	natural anigre A	+\$1881	2089	2811	3530	3002
956	cocoa sapele A	+\$0	0	0	0	0
962	toasted walnut, low sheen A	+\$0	0	0	0	0
963	charred walnut, low sheen A	+\$0	0	0	0	0
964	bronzed walnut, low sheen A	+\$0	0	0	0	0
965	smoked walnut, low sheen A	+\$0	0	0	0	0
966	coffee walnut, low sheen A	+\$0	0	0	0	0
967	smoked paldao, low sheen A	+\$706	784	1054	1324	1126
969	warm paldao, low sheen A	+\$706	784	1054	1324	1126
977	chocolate ash, low sheen A	+\$0	0	0	0	0
978	natural oak A	+\$0	0	0	0	0
981	champagne hickory (natural) A	+\$0	0	0	0	0
98R	recograin rosewood A	+\$0	0	0	0	0
991	champagne ash A	+\$0	0	0	0	0
998	ebony ash A	+\$0	0	0	0	0
99A	recograin frosty ash A	+\$0	0	0	0	0
99R	recograin rosewood A	+\$0	0	0	0	0
99T	recograin teak A	+\$0	0	0	0	0
9A1	white ash, quarter cut, low sheen A	+\$0	0	0	0	0

9K1	rift oak, rift cut, low sheen A	+\$0	0	0	0	0
9K6	burnt oak, rift cut, low sheen A	+\$0	0	0	0	0
ED	aged cherry A	+\$0	0	0	0	0
EK	medium red walnut A	+\$0	0	0	0	0
G2U	light brown walnut, low sheen A	+\$0	0	0	0	0
G40	dark brown walnut, low sheen A	+\$0	0	0	0	0
UX	walnut on cherry A	+\$0	0	0	0	0

		-CFCG	-CHCH	-CKC2	-CKCF
931	champagne anigre (natural) A	+\$3626	2927	3177	3274
932	sundance anigre A	+\$3626	2927	3177	3274
933	caramel anigre A	+\$3626	2927	3177	3274
934	henna anigre A	+\$3626	2927	3177	3274
941	natural beech A	+\$0	0	0	0
942	sundance cherry (natural) A	+\$0	0	0	0
943	caramel cherry A	+\$0	0	0	0
946	cocoa cherry A	+\$0	0	0	0
951	natural anigre A	+\$3626	2927	3177	3274
956	cocoa sapele A	+\$0	0	0	0
962	toasted walnut, low sheen A	+\$0	0	0	0
963	charred walnut, low sheen A	+\$0	0	0	0
964	bronzed walnut, low sheen A	+\$0	0	0	0
965	smoked walnut, low sheen A	+\$0	0	0	0
966	coffee walnut, low sheen A	+\$0	0	0	0
967	smoked paldao, low sheen A	+\$1360	1098	1192	1228
969	warm paldao, low sheen A	+\$1360	1098	1192	1228
977	chocolate ash, low sheen A	+\$0	0	0	0
978	natural oak A	+\$0	0	0	0
981	champagne hickory (natural) A	+\$0	0	0	0
98R	recograin rosewood A	+\$0	0	0	0
991	champagne ash A	+\$0	0	0	0
998	ebony ash A	+\$0	0	0	0
99A	recograin frosty ash A	+\$0	0	0	0
99R	recograin rosewood A	+\$0	0	0	0
99T	recograin teak A	+\$0	0	0	0

H-Frame Credenza Two Units

Wide *continued*

HermanMiller Collection—Storage

9A1	white ash, quarter cut, low sheen <input type="checkbox"/>	+\$0	0	0	0	Premium Veneer - Matte						
9K1	rift oak, rift cut, low sheen <input type="checkbox"/>	+\$0	0	0	0	662	toasted walnut, matte sheen <input type="checkbox"/>	+\$0	0	0	0	0
9K6	burnt oak, rift cut, low sheen <input type="checkbox"/>	+\$0	0	0	0	663	charred walnut, matte sheen <input type="checkbox"/>	+\$0	0	0	0	0
ED	aged cherry <input type="checkbox"/>	+\$0	0	0	0	664	bronzed walnut, matte sheen <input type="checkbox"/>	+\$0	0	0	0	0
EK	medium red walnut <input type="checkbox"/>	+\$0	0	0	0	665	smoked walnut, matte sheen <input type="checkbox"/>	+\$0	0	0	0	0
G2U	light brown walnut, low sheen <input type="checkbox"/>	+\$0	0	0	0	666	coffee walnut, matte sheen <input type="checkbox"/>	+\$0	0	0	0	0
G40	dark brown walnut, low sheen <input type="checkbox"/>	+\$0	0	0	0	667	smoked paldao, quarter cut, matte sheen <input type="checkbox"/>	+\$706	784	1054	1324	1126
UX	walnut on cherry <input type="checkbox"/>	+\$0	0	0	0	669	warm paldao, quarter cut, matte sheen <input type="checkbox"/>	+\$706	784	1054	1324	1126
						66A	recograin frosty ash <input type="checkbox"/>	+\$0	0	0	0	0
						677	chocolate ash, matte sheen <input type="checkbox"/>	+\$0	0	0	0	0
						678	natural oak <input type="checkbox"/>	+\$0	0	0	0	0
						68R	recograin rosewood <input type="checkbox"/>	+\$0	0	0	0	0
						69A	recograin frosty ash <input type="checkbox"/>	+\$0	0	0	0	0
						69R	recograin rosewood <input type="checkbox"/>	+\$0	0	0	0	0
						69T	recograin teak <input type="checkbox"/>	+\$0	0	0	0	0
						6A1	white ash <input type="checkbox"/>	+\$0	0	0	0	0
						6K1	rift oak <input type="checkbox"/>	+\$0	0	0	0	0
						6K6	burnt oak <input type="checkbox"/>	+\$0	0	0	0	0
						ET	clear on ash <input type="checkbox"/>	+\$0	0	0	0	0
						EU	oak on ash <input type="checkbox"/>	+\$0	0	0	0	0
						EV	walnut on ash <input type="checkbox"/>	+\$0	0	0	0	0
						GOU	natural walnut, flat cut, matte sheen <input type="checkbox"/>	+\$0	0	0	0	0

H-Frame Credenza Two Units

Wide *continued*

		-CFCG	-CHCH	-CKC2	-CKCF
662	toasted walnut, matte sheen A	+\$0	0	0	0
663	charred walnut, matte sheen A	+\$0	0	0	0
664	bronzed walnut, matte sheen A	+\$0	0	0	0
665	smoked walnut, matte sheen A	+\$0	0	0	0
666	coffee walnut, matte sheen A	+\$0	0	0	0
667	smoked paldao, quarter cut, matte sheen A	+\$1360	1098	1192	1228
669	warm paldao, quarter cut, matte sheen A	+\$1360	1098	1192	1228
66A	recograin frosty ash A	+\$0	0	0	0
677	chocolate ash, matte sheen A	+\$0	0	0	0
678	natural oak A	+\$0	0	0	0
68R	recograin rosewood A	+\$0	0	0	0
69A	recograin frosty ash A	+\$0	0	0	0
69R	recograin rosewood A	+\$0	0	0	0
69T	recograin teak A	+\$0	0	0	0
6A1	white ash A	+\$0	0	0	0
6K1	rift oak A	+\$0	0	0	0
6K6	burnt oak A	+\$0	0	0	0
ET	clear on ash A	+\$0	0	0	0
EU	oak on ash A	+\$0	0	0	0
EV	walnut on ash A	+\$0	0	0	0
GOU	natural walnut, flat cut, matte sheen A	+\$0	0	0	0

RecoGrain Veneer

		-C1C1	-C2C1	-C2C2	-C2CG	-CFCF
66G	recograin wenge A	-\$236	-262	-352	-442	-376
68W	recograin walnut, flat cut, matte sheen A	-\$236	-262	-352	-442	-376
69G	recograin wenge A	-\$236	-262	-352	-442	-376
69K	recograin oak, quarter cut, matte sheen A	-\$236	-262	-352	-442	-376
69W	recograin walnut, quarter cut, matte sheen A	-\$236	-262	-352	-442	-376

		-CFCG	-CHCH	-CKC2	-CKCF
66G	recograin wenge A	-\$454	-366	-398	-410
68W	recograin walnut, flat cut, matte sheen A	-\$454	-366	-398	-410
69G	recograin wenge A	-\$454	-366	-398	-410
69K	recograin oak, quarter cut, matte sheen A	-\$454	-366	-398	-410
69W	recograin walnut, quarter cut, matte sheen A	-\$454	-366	-398	-410

Recon Veneer -

		-C1C1	-C2C1	-C2C2	-C2CG	-CFCF
96G	wenge recograin, quarter cut, low sheen A	-\$236	-262	-352	-442	-376
98W	recograin walnut, flat cut, low sheen A	-\$236	-262	-352	-442	-376
99G	recograin wenge, quarter cut, low sheen A	-\$236	-262	-352	-442	-376
99K	recograin oak, quarter cut, low sheen A	-\$236	-262	-352	-442	-376
99W	recograin walnut, quarter cut, low sheen A	-\$236	-262	-352	-442	-376

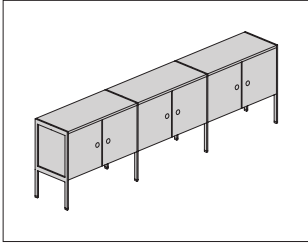
		-CFCG	-CHCH	-CKC2	-CKCF
96G	wenge recograin, quarter cut, low sheen A	-\$454	-366	-398	-410
98W	recograin walnut, flat cut, low sheen A	-\$454	-366	-398	-410
99G	recograin wenge, quarter cut, low sheen A	-\$454	-366	-398	-410
99K	recograin oak, quarter cut, low sheen A	-\$454	-366	-398	-410
99W	recograin walnut, quarter cut, low sheen A	-\$454	-366	-398	-410

Step 6. Metal Finish

BNZ	bronze A	+\$0
CHR	chrome A	+\$0
SAC	satin chrome A	+\$0

H-Frame Credenza Three Units Wide

JCH3-
Wide



HermanMiller Collection—Storage

Product Information

Description

This three-unit wide H-frame credenza has a wooden top and includes 1/2"-thick metal frame gables on the ends. H-frame credenzas are modular and shipped partially assembled.

Notes

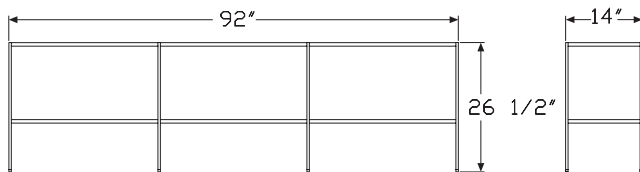
All hardware for assembly is included.

Drawer credenzas include wood boxes and self-closing hidden drawer slides.

CG six box drawer credenza includes pencil trays and felt lining in bottom of top two drawers.

When applicable, Ward Bennett Flip pulls come in matching metal finish. Santos palisander veneer is celebrated for its unique grain and color variations. Similar products ordered in multiples or dissimilar products ordered separately should be expected to have variation in both grain and color characteristics; no two products will look exactly alike.

Dimensions



Specification Information

Step 1.

JCH3

Step 2. Size

-1492 14" deep x 92" wide x 26 1/2" high

Step 3. Configuration - left unit

-C1 open shelf

-C2 two doors

-CF two 15" file drawers

-CH one file drawer

Step 4. Configuration - middle unit

For open shelf (-C1)

C1 open shelf

C2 two doors

CF two 15" file drawers

CG six box drawers (top two pencil trays)

For two doors (-C2)

C2 two doors

For two 15" file drawers (-CF)

CF two 15" file drawers

For one file drawer (-CH)

CH one file drawer

Step 5. Configuration - right unit

For open shelf (-C1) with open shelf (C1)

C1 open shelf

For open shelf (-C1) with two doors (C2)

C2 two doors

For open shelf (-C1) with two 15" file drawers (CF)

C2 two doors

For open shelf (-C1) with six box drawers (top two pencil trays) (CG)

C2 two doors

For two doors (-C2) with two doors (C2)

C2 two doors

H-Frame Credenza Three Units

Wide *continued*

For two 15" file drawers (-CF) with two 15" file drawers (CF)

CF two 15" file drawers

For one file drawer (-CH) with one file drawer (CH)

CH double doors left, 30" box/file right

Prices for Steps 1-5.

		C1	CF	CH	C2
JCH3-1492	-C1 C1	\$6729	—	—	—
	C2	—	—	—	\$9048
	CF	—	—	—	\$9293
	CG	—	—	—	\$10853
	-C2 C2	—	—	—	\$10213
	-CF CF	—	\$10931	—	—
	-CH CH	—	—	\$10650	—

Step 6. Wood Finish

Premium Veneer - Low Sheen

		-C1C1C1	-C1C2C2	-C1CFC2	-C1CGC2	-C2C2C2
931	champagne anigre (natural) <input type="checkbox"/>	+\$2692	3620	3718	4342	4086
932	sundance anigre <input type="checkbox"/>	+\$2692	3620	3718	4342	4086
933	caramel anigre <input type="checkbox"/>	+\$2692	3620	3718	4342	4086
934	henna anigre <input type="checkbox"/>	+\$2692	3620	3718	4342	4086
941	natural beech <input type="checkbox"/>	+\$0	0	0	0	0
942	sundance cherry (natural) <input type="checkbox"/>	+\$0	0	0	0	0
943	caramel cherry <input type="checkbox"/>	+\$0	0	0	0	0
946	cocoa cherry <input type="checkbox"/>	+\$0	0	0	0	0
951	natural anigre <input type="checkbox"/>	+\$2692	3620	3718	4342	4086
956	cocoa sapele <input type="checkbox"/>	+\$0	0	0	0	0
962	toasted walnut, low sheen <input type="checkbox"/>	+\$0	0	0	0	0
963	charred walnut, low sheen <input type="checkbox"/>	+\$0	0	0	0	0
964	bronzed walnut, low sheen <input type="checkbox"/>	+\$0	0	0	0	0
965	smoked walnut, low sheen <input type="checkbox"/>	+\$0	0	0	0	0
966	coffee walnut, low sheen <input type="checkbox"/>	+\$0	0	0	0	0
967	smoked paldao, low sheen <input type="checkbox"/>	+\$1010	1358	1394	1628	1532
969	warm paldao, low sheen <input type="checkbox"/>	+\$1010	1358	1394	1628	1532

977	chocolate ash, low sheen <input type="checkbox"/>	+\$0	0	0	0	0
978	natural oak <input type="checkbox"/>	+\$0	0	0	0	0
981	champagne hickory (natural) <input type="checkbox"/>	+\$0	0	0	0	0
98R	recograin rosewood <input type="checkbox"/>	+\$0	0	0	0	0
991	champagne ash <input type="checkbox"/>	+\$0	0	0	0	0
998	ebony ash <input type="checkbox"/>	+\$0	0	0	0	0
99A	recograin frosty ash <input type="checkbox"/>	+\$0	0	0	0	0
99R	recograin rosewood <input type="checkbox"/>	+\$0	0	0	0	0
99T	recograin teak <input type="checkbox"/>	+\$0	0	0	0	0
9A1	white ash, quarter cut, low sheen <input type="checkbox"/>	+\$0	0	0	0	0
9K1	rift oak, rift cut, low sheen <input type="checkbox"/>	+\$0	0	0	0	0
9K6	burnt oak, rift cut, low sheen <input type="checkbox"/>	+\$0	0	0	0	0
ED	aged cherry <input type="checkbox"/>	+\$0	0	0	0	0
EK	medium red walnut <input type="checkbox"/>	+\$0	0	0	0	0
G2U	light brown walnut, low sheen <input type="checkbox"/>	+\$0	0	0	0	0
G40	dark brown walnut, low sheen <input type="checkbox"/>	+\$0	0	0	0	0
UX	walnut on cherry <input type="checkbox"/>	+\$0	0	0	0	0

-CFCFCF -CHCHCH

931	champagne anigre (natural) <input type="checkbox"/>	+\$4373	4260
932	sundance anigre <input type="checkbox"/>	+\$4373	4260
933	caramel anigre <input type="checkbox"/>	+\$4373	4260
934	henna anigre <input type="checkbox"/>	+\$4373	4260
941	natural beech <input type="checkbox"/>	+\$0	0
942	sundance cherry (natural) <input type="checkbox"/>	+\$0	0
943	caramel cherry <input type="checkbox"/>	+\$0	0
946	cocoa cherry <input type="checkbox"/>	+\$0	0
951	natural anigre <input type="checkbox"/>	+\$4373	4260
956	cocoa sapele <input type="checkbox"/>	+\$0	0
962	toasted walnut, low sheen <input type="checkbox"/>	+\$0	0
963	charred walnut, low sheen <input type="checkbox"/>	+\$0	0
964	bronzed walnut, low sheen <input type="checkbox"/>	+\$0	0
965	smoked walnut, low sheen <input type="checkbox"/>	+\$0	0
966	coffee walnut, low sheen <input type="checkbox"/>	+\$0	0
967	smoked paldao, low sheen <input type="checkbox"/>	+\$1640	1598
969	warm paldao, low sheen <input type="checkbox"/>	+\$1640	1598

HermanMiller Collection—Storage

H-Frame Credenza Three Units

Wide *continued*

HermanMiller Collection—Storage

977	chocolate ash, low sheen <input type="checkbox"/>	+\$0	o
978	natural oak <input type="checkbox"/>	+\$0	o
981	champagne hickory (natural) <input type="checkbox"/>	+\$0	o
98R	recograin rosewood <input type="checkbox"/>	+\$0	o
991	champagne ash <input type="checkbox"/>	+\$0	o
998	ebony ash <input type="checkbox"/>	+\$0	o
99A	recograin frosty ash <input type="checkbox"/>	+\$0	o
99R	recograin rosewood <input type="checkbox"/>	+\$0	o
99T	recograin teak <input type="checkbox"/>	+\$0	o
9A1	white ash, quarter cut, low sheen <input type="checkbox"/>	+\$0	o
9K1	rift oak, rift cut, low sheen <input type="checkbox"/>	+\$0	o
9K6	burnt oak, rift cut, low sheen <input type="checkbox"/>	+\$0	o
ED	aged cherry <input type="checkbox"/>	+\$0	o
EK	medium red walnut <input type="checkbox"/>	+\$0	o
G2U	light brown walnut, low sheen <input type="checkbox"/>	+\$0	o
G40	dark brown walnut, low sheen <input type="checkbox"/>	+\$0	o
UX	walnut on cherry <input type="checkbox"/>	+\$0	o

Premium Veneer - Matte		-C1C1C1	-C1C2C2	-C1CFC2	-C1CGC2	-C2C2C2
662	toasted walnut, matte sheen <input type="checkbox"/>	+\$0	o	o	o	o
663	charred walnut, matte sheen <input type="checkbox"/>	+\$0	o	o	o	o
664	bronzed walnut, matte sheen <input type="checkbox"/>	+\$0	o	o	o	o
665	smoked walnut, matte sheen <input type="checkbox"/>	+\$0	o	o	o	o
666	coffee walnut, matte sheen <input type="checkbox"/>	+\$0	o	o	o	o
667	smoked paldao, quarter cut, matte sheen <input type="checkbox"/>	+\$1010	1358	1394	1628	1532
669	warm paldao, quarter cut, matte sheen <input type="checkbox"/>	+\$1010	1358	1394	1628	1532
66A	recograin frosty ash <input type="checkbox"/>	+\$0	o	o	o	o
677	chocolate ash, matte sheen <input type="checkbox"/>	+\$0	o	o	o	o
678	natural oak <input type="checkbox"/>	+\$0	o	o	o	o
68R	recograin rosewood <input type="checkbox"/>	+\$0	o	o	o	o
69A	recograin frosty ash <input type="checkbox"/>	+\$0	o	o	o	o
69R	recograin rosewood <input type="checkbox"/>	+\$0	o	o	o	o
69T	recograin teak <input type="checkbox"/>	+\$0	o	o	o	o
6A1	white ash <input type="checkbox"/>	+\$0	o	o	o	o
6K1	rift oak <input type="checkbox"/>	+\$0	o	o	o	o
6K6	burnt oak <input type="checkbox"/>	+\$0	o	o	o	o
ET	clear on ash <input type="checkbox"/>	+\$0	o	o	o	o
EU	oak on ash <input type="checkbox"/>	+\$0	o	o	o	o
EV	walnut on ash <input type="checkbox"/>	+\$0	o	o	o	o
GOU	natural walnut, flat cut, matte sheen <input type="checkbox"/>	+\$0	o	o	o	o

H-Frame Credenza Three Units

Wide *continued*

		-CFCFCF	-CHCHCH
662	toasted walnut, matte sheen <input type="checkbox"/>	+\$0	0
663	charred walnut, matte sheen <input type="checkbox"/>	+\$0	0
664	bronzed walnut, matte sheen <input type="checkbox"/>	+\$0	0
665	smoked walnut, matte sheen <input type="checkbox"/>	+\$0	0
666	coffee walnut, matte sheen <input type="checkbox"/>	+\$0	0
667	smoked paldao, quarter cut, matte sheen <input type="checkbox"/>	+\$1640	1598
669	warm paldao, quarter cut, matte sheen <input type="checkbox"/>	+\$1640	1598
66A	recograin frosty ash <input type="checkbox"/>	+\$0	0
677	chocolate ash, matte sheen <input type="checkbox"/>	+\$0	0
678	natural oak <input type="checkbox"/>	+\$0	0
68R	recograin rosewood <input type="checkbox"/>	+\$0	0
69A	recograin frosty ash <input type="checkbox"/>	+\$0	0
69R	recograin rosewood <input type="checkbox"/>	+\$0	0
69T	recograin teak <input type="checkbox"/>	+\$0	0
6A1	white ash <input type="checkbox"/>	+\$0	0
6K1	rift oak <input type="checkbox"/>	+\$0	0
6K6	burnt oak <input type="checkbox"/>	+\$0	0
ET	clear on ash <input type="checkbox"/>	+\$0	0
EU	oak on ash <input type="checkbox"/>	+\$0	0
EV	walnut on ash <input type="checkbox"/>	+\$0	0
GOU	natural walnut, flat cut, matte sheen <input type="checkbox"/>	+\$0	0

RecoGrain Veneer

		-C1C1C1	-C1C2C2	-C1CFC2	-C1CGC2	-C2C2C2
66G	recograin wenge <input type="checkbox"/>	-\$337	-453	-465	-543	-511
68W	recograin walnut, flat cut, matte sheen <input type="checkbox"/>	-\$337	-453	-465	-543	-511
69G	recograin wenge <input type="checkbox"/>	-\$337	-453	-465	-543	-511
69K	recograin oak, quarter cut, matte sheen <input type="checkbox"/>	-\$337	-453	-465	-543	-511
69W	recograin walnut, quarter cut, matte sheen <input type="checkbox"/>	-\$337	-453	-465	-543	-511

		-CFCFCF	-CHCHCH
66G	recograin wenge <input type="checkbox"/>	-\$547	-533
68W	recograin walnut, flat cut, matte sheen <input type="checkbox"/>	-\$547	-533
69G	recograin wenge <input type="checkbox"/>	-\$547	-533
69K	recograin oak, quarter cut, matte sheen <input type="checkbox"/>	-\$547	-533
69W	recograin walnut, quarter cut, matte sheen <input type="checkbox"/>	-\$547	-533

Recon Veneer -

		-C1C1C1	-C1C2C2	-C1CFC2	-C1CGC2	-C2C2C2
96G	wenge recograin, quarter cut, low sheen <input type="checkbox"/>	-\$337	-453	-465	-543	-511
98W	recograin walnut, flat cut, low sheen <input type="checkbox"/>	-\$337	-453	-465	-543	-511
99G	recograin wenge, quarter cut, low sheen <input type="checkbox"/>	-\$337	-453	-465	-543	-511
99K	recograin oak, quarter cut, low sheen <input type="checkbox"/>	-\$337	-453	-465	-543	-511
99W	recograin walnut, quarter cut, low sheen <input type="checkbox"/>	-\$337	-453	-465	-543	-511

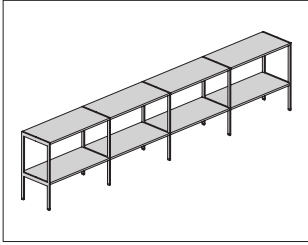
		-CFCFCF	-CHCHCH
96G	wenge recograin, quarter cut, low sheen <input type="checkbox"/>	-\$547	-533
98W	recograin walnut, flat cut, low sheen <input type="checkbox"/>	-\$547	-533
99G	recograin wenge, quarter cut, low sheen <input type="checkbox"/>	-\$547	-533
99K	recograin oak, quarter cut, low sheen <input type="checkbox"/>	-\$547	-533
99W	recograin walnut, quarter cut, low sheen <input type="checkbox"/>	-\$547	-533

Step 7. Metal Finish

BNZ	bronze <input type="checkbox"/>	+\$0
CHR	chrome <input type="checkbox"/>	+\$0
SAC	satin chrome <input type="checkbox"/>	+\$0

H-Frame Credenza Four Units Wide

JCH4-



Product Information

Description

This four-unit wide H-frame credenza has a wooden top and includes 1/2"-thick metal frame gables on the ends. H-frame credenzas are modular and shipped partially assembled.

Notes

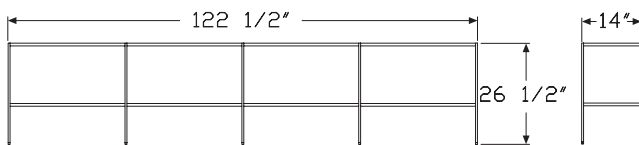
All hardware for assembly is included.

Drawer credenzas include wood boxes and self-closing hidden drawer slides.

CG six box drawer credenza includes pencil trays and felt lining in bottom of top two drawers.

When applicable, Ward Bennett Flip pulls come in matching metal finish. Santos palisander veneer is celebrated for its unique grain and color variations. Similar products ordered in multiples or dissimilar products ordered separately should be expected to have variation in both grain and color characteristics; no two products will look exactly alike.

Dimensions



Specification Information

Step 1.

JCH4

Step 2. Size

-14123 14" deep x 122 1/2" wide x 26 1/2" high

Step 3. Configuration - left unit

- C1** open shelf
- C2** two doors
- CF** two 15" file drawers
- CH** one file drawer

Step 4. Configuration - left center unit

For open shelf (-C1)

- C1** open shelf
- CG** six box drawers (top two pencil trays)

For two doors (-C2)

- C2** two doors

For two 15" file drawers (-CF)

- CF** two 15" file drawers

For one file drawer (-CH)

- CH** one file drawer

Step 5. Configuration - right center unit

For open shelf (-C1) with open shelf (C1)

- C1** open shelf
- C2** two doors
- CG** six box drawers (top two pencil trays)

For open shelf (-C1) with six box drawers (top two pencil trays) (CG)

- CF** two 15" file drawers

For two doors (-C2) with two doors (C2)

- C2** two doors

For two 15" file drawers (-CF) with two 15" file drawers (CF)

- CF** two 15" file drawers

For one file drawer (-CH) with one file drawer (CH)

- CH** one file drawer

H-Frame Credenza Four Units

Wide *continued*

Step 6. Configuration - right unit

For open shelf (-C1) with open shelf (C1) with open shelf (C1)

C1 open shelf A

For open shelf (-C1) with open shelf (C1) with two doors (C2)

C2 two doors A

For open shelf (-C1) with open shelf (C1) with six box drawers (top two pencil trays) (CG)

C2 two doors A

For open shelf (-C1) with six box drawers (top two pencil trays) (CG) with two 15" file drawers (CF)

C2 two doors A

For two doors (-C2) with two doors (C2) with two doors (C2)

C2 two doors A

For two 15" file drawers (-CF) with two 15" file drawers (CF) with two 15" file drawers (CF)

CF two 15" file drawers A

For one file drawer (-CH) with one file drawer (CH) with one file drawer (CH)

CH double doors left, 30" box/file right A

Prices for Steps 1-6.

		C1C1	C1C2	CFCF	CFC2	CHCH	C2C2
JCH4-14123	-C1 C1	\$8757	—	—	—	—	11082
	CG	—	—	—	\$14285	—	—
	-C2 C2	—	—	—	—	—	\$13401
	-CF CF	—	—	\$14363	—	—	—
	-CH CH	—	—	—	—	—	\$13994
						CGCF	CGC2
JCH4-14123	-C1 C1					—	\$12881

Step 7. Wood Finish

Premium Veneer - Low Sheen

For open shelf (C1), two doors (C2), two 15" file drawers (CF) AND one file drawer (CH)

		-C1C1C1	-C1C1C2	-C1C1CG2	-C1CGCF2	-C2C2C2
931	champagne anigre (natural) A	+\$3503	4433	5153	5361	5746

932	sundance anigre A	+\$3503	4433	5153	5361	5746
933	caramel anigre A	+\$3503	4433	5153	5361	5746
934	henna anigre A	+\$3503	4433	5153	5361	5746
941	natural beech A	+\$0	0	0	0	0
942	sundance cherry (natural) A	+\$0	0	0	0	0
943	caramel cherry A	+\$0	0	0	0	0
946	cocoa cherry A	+\$0	0	0	0	0
951	natural anigre A	+\$3503	4433	5153	5361	5746
956	cocoa sapele A	+\$0	0	0	0	0
962	toasted walnut, low sheen A	+\$0	0	0	0	0
963	charred walnut, low sheen A	+\$0	0	0	0	0
964	bronzed walnut, low sheen A	+\$0	0	0	0	0
965	smoked walnut, low sheen A	+\$0	0	0	0	0
966	coffee walnut, low sheen A	+\$0	0	0	0	0
967	smoked paldao, low sheen A	+\$1314	1663	1933	2011	2155
969	warm paldao, low sheen A	+\$1314	1663	1933	2011	2155
977	chocolate ash, low sheen A	+\$0	0	0	0	0
978	natural oak A	+\$0	0	0	0	0
981	champagne hickory (natural) A	+\$0	0	0	0	0
98R	recograin rosewood A	+\$0	0	0	0	0
991	champagne ash A	+\$0	0	0	0	0
998	ebony ash A	+\$0	0	0	0	0
99A	recograin frosty ash A	+\$0	0	0	0	0
99R	recograin rosewood A	+\$0	0	0	0	0
99T	recograin teak A	+\$0	0	0	0	0
9A1	white ash, quarter cut, low sheen A	+\$0	0	0	0	0
9K1	rift oak, rift cut, low sheen A	+\$0	0	0	0	0
9K6	burnt oak, rift cut, low sheen A	+\$0	0	0	0	0
ED	aged cherry A	+\$0	0	0	0	0

H-Frame Credenza Four Units

Wide *continued*

HermanMiller Collection—Storage

		+\$0	0	0	0	0
EK	medium red walnut A					
G2U	light brown walnut, low sheen A					
G40	dark brown walnut, low sheen A					
UX	walnut on cherry A					
-----CFCFCFCF -CHCHCHCH						
931	champagne anigre (natural) A					+\$5598
932	sundance anigre A					+\$5598
933	caramel anigre A					+\$5598
934	henna anigre A					+\$5598
941	natural beech A					+\$0
942	sundance cherry (natural) A					+\$0
943	caramel cherry A					+\$0
946	cocoa cherry A					+\$0
951	natural anigre A					+\$5598
956	cocoa sapele A					+\$0
962	toasted walnut, low sheen A					+\$0
963	charred walnut, low sheen A					+\$0
964	bronzed walnut, low sheen A					+\$0
965	smoked walnut, low sheen A					+\$0
966	coffee walnut, low sheen A					+\$0
967	smoked paldao, low sheen A					+\$2100
969	warm paldao, low sheen A					+\$2100
977	chocolate ash, low sheen A					+\$0
978	natural oak A					+\$0
981	champagne hickory (natural) A					+\$0
98R	recograin rosewood A					+\$0
991	champagne ash A					+\$0
998	ebony ash A					+\$0
99A	recograin frosty ash A					+\$0
99R	recograin rosewood A					+\$0
99T	recograin teak A					+\$0
9A1	white ash, quarter cut, low sheen A					+\$0
9K1	rift oak, rift cut, low sheen A					+\$0
9K6	burnt oak, rift cut, low sheen A					+\$0
ED	aged cherry A					+\$0
EK	medium red walnut A					+\$0
G2U	light brown walnut, low sheen A					+\$0
G40	dark brown walnut, low sheen A					+\$0
UX	walnut on cherry A					+\$0

Premium Veneer - Matte		For open shelf (C1), two doors (C2), two 15" file drawers (CF) AND one file drawer (CH)				
		-C1C1C1C1	-C1C1C2C2	-C1C1CGC2	-C1CGCF2	-C2C2C2C2
662	toasted walnut, matte sheen A	+\$0	0	0	0	0
663	charred walnut, matte sheen A	+\$0	0	0	0	0
664	bronzed walnut, matte sheen A	+\$0	0	0	0	0
665	smoked walnut, matte sheen A	+\$0	0	0	0	0
666	coffee walnut, matte sheen A	+\$0	0	0	0	0
667	smoked paldao, quarter cut, matte sheen A	+\$1314	1663	1933	2011	2155
669	warm paldao, quarter cut, matte sheen A	+\$1314	1663	1933	2011	2155
66A	recograin frosty ash A	+\$0	0	0	0	0
677	chocolate ash, matte sheen A	+\$0	0	0	0	0
678	natural oak A	+\$0	0	0	0	0
68R	recograin rosewood A	+\$0	0	0	0	0
69A	recograin frosty ash A	+\$0	0	0	0	0
69R	recograin rosewood A	+\$0	0	0	0	0
69T	recograin teak A	+\$0	0	0	0	0
6A1	white ash A	+\$0	0	0	0	0
6K1	rift oak A	+\$0	0	0	0	0
6K6	burnt oak A	+\$0	0	0	0	0
ET	clear on ash A	+\$0	0	0	0	0
EU	oak on ash A	+\$0	0	0	0	0
EV	walnut on ash A	+\$0	0	0	0	0
GOU	natural walnut, flat cut, matte sheen A	+\$0	0	0	0	0

H-Frame Credenza Four Units

Wide *continued*

		-CFCFCFCF	-CHCHCHCH
662	toasted walnut, matte sheen <input type="checkbox"/>		+\$0
663	charred walnut, matte sheen <input type="checkbox"/>		+\$0
664	bronzed walnut, matte sheen <input type="checkbox"/>		+\$0
665	smoked walnut, matte sheen <input type="checkbox"/>		+\$0
666	coffee walnut, matte sheen <input type="checkbox"/>		+\$0
667	smoked paldao, quarter cut, matte sheen <input type="checkbox"/>		+\$2100
669	warm paldao, quarter cut, matte sheen <input type="checkbox"/>		+\$2100
66A	recograin frosty ash <input type="checkbox"/>		+\$0
677	chocolate ash, matte sheen <input type="checkbox"/>		+\$0
678	natural oak <input type="checkbox"/>		+\$0
68R	recograin rosewood <input type="checkbox"/>		+\$0
69A	recograin frosty ash <input type="checkbox"/>		+\$0
69R	recograin rosewood <input type="checkbox"/>		+\$0
69T	recograin teak <input type="checkbox"/>		+\$0
6A1	white ash <input type="checkbox"/>		+\$0
6K1	rift oak <input type="checkbox"/>		+\$0
6K6	burnt oak <input type="checkbox"/>		+\$0
ET	clear on ash <input type="checkbox"/>		+\$0
EU	oak on ash <input type="checkbox"/>		+\$0
EV	walnut on ash <input type="checkbox"/>		+\$0
GOU	natural walnut, flat cut, matte sheen <input type="checkbox"/>		+\$0

RecoGrain Veneer

For open shelf (C1), two doors (C2), two 15" file drawers (CF) AND one file drawer (CH)

		-C1C1C1C1	-C1C1C2C2	-C1C1C6C2	-C1C6CFC2	-C2C2C2C2
66G	recograin wenge <input type="checkbox"/>	-\$438	-555	-645	-671	-719
68W	recograin walnut, flat cut, matte sheen <input type="checkbox"/>	-\$438	-555	-645	-671	-719
69G	recograin wenge <input type="checkbox"/>	-\$438	-555	-645	-671	-719
69K	recograin oak, quarter cut, matte sheen <input type="checkbox"/>	-\$438	-555	-645	-671	-719
69W	recograin walnut, quarter cut, matte sheen <input type="checkbox"/>	-\$438	-555	-645	-671	-719

		-CFCFCFCF	-CHCHCHCH
66G	recograin wenge <input type="checkbox"/>		-\$700
68W	recograin walnut, flat cut, matte sheen <input type="checkbox"/>		-\$700
69G	recograin wenge <input type="checkbox"/>		-\$700
69K	recograin oak, quarter cut, matte sheen <input type="checkbox"/>		-\$700
69W	recograin walnut, quarter cut, matte sheen <input type="checkbox"/>		-\$700

Recon Veneer -

For open shelf (C1), two doors (C2), two 15" file drawers (CF) AND one file drawer (CH)

		-C1C1C1C1	-C1C1C2C2	-C1C1C6C2	-C1C6CFC2	-C2C2C2C2
96G	wenge recograin, quarter cut, low sheen <input type="checkbox"/>	-\$438	-555	-645	-671	-719
98W	recograin walnut, flat cut, low sheen <input type="checkbox"/>	-\$438	-555	-645	-671	-719
99G	recograin wenge, quarter cut, low sheen <input type="checkbox"/>	-\$438	-555	-645	-671	-719
99K	recograin oak, quarter cut, low sheen <input type="checkbox"/>	-\$438	-555	-645	-671	-719
99W	recograin walnut, quarter cut, low sheen <input type="checkbox"/>	-\$438	-555	-645	-671	-719

		-CFCFCFCF	-CHCHCHCH
96G	wenge recograin, quarter cut, low sheen <input type="checkbox"/>		-\$700
98W	recograin walnut, flat cut, low sheen <input type="checkbox"/>		-\$700
99G	recograin wenge, quarter cut, low sheen <input type="checkbox"/>		-\$700
99K	recograin oak, quarter cut, low sheen <input type="checkbox"/>		-\$700
99W	recograin walnut, quarter cut, low sheen <input type="checkbox"/>		-\$700

H-Frame Credenza Four Units

Wide *continued*

Premium Veneer - Low Sheen

For open shelf (-C1) or one file drawer (-CH) with one file drawer (CH), or six box drawers (top two pencil trays) (CG) with two 15" file drawers (CF), or one file drawer (CH) with two doors (C2)

921	champagne beech, flat cut, low sheen A	+\$0
931	champagne anigre (natural) A	+\$5714
932	sundance anigre A	+\$5714
933	caramel anigre A	+\$5714
941	natural beech A	+\$0
942	sundance cherry (natural) A	+\$0
943	caramel cherry A	+\$0
946	cocoa cherry A	+\$0
951	natural anigre A	+\$5714
956	cocoa sapele A	+\$0
962	toasted walnut, low sheen A	+\$0
963	charred walnut, low sheen A	+\$0
964	bronzed walnut, low sheen A	+\$0
965	smoked walnut, low sheen A	+\$0
966	coffee walnut, low sheen A	+\$0
967	smoked paldao, low sheen A	+\$2143
969	warm paldao, low sheen A	+\$2143
977	chocolate ash, low sheen A	+\$0
978	natural oak A	+\$0
981	champagne hickory (natural) A	+\$0
98R	recograin rosewood A	+\$0
991	champagne ash A	+\$0
998	ebony ash A	+\$0
99A	recograin frosty ash A	+\$0
99R	recograin rosewood A	+\$0
99T	recograin teak A	+\$0
9A1	white ash, quarter cut, low sheen A	+\$0
9K1	rift oak, rift cut, low sheen A	+\$0
9K6	burnt oak, rift cut, low sheen A	+\$0
ED	aged cherry A	+\$0
EK	medium red walnut A	+\$0
G2U	light brown walnut, low sheen A	+\$0
G40	dark brown walnut, low sheen A	+\$0
UX	walnut on cherry A	+\$0

Premium Veneer - Matte

For open shelf (-C1) or one file drawer (-CH) with one file drawer (CH), or six box drawers (top two pencil trays) (CG) with two 15" file drawers (CF), or one file drawer (CH) with two doors (C2)

662	toasted walnut, matte sheen A	+\$0
663	charred walnut, matte sheen A	+\$0
664	bronzed walnut, matte sheen A	+\$0
665	smoked walnut, matte sheen A	+\$0
666	coffee walnut, matte sheen A	+\$0
667	smoked paldao, quarter cut, matte sheen A	+\$2143
669	warm paldao, quarter cut, matte sheen A	+\$2143
66A	recograin frosty ash A	+\$0
677	chocolate ash, matte sheen A	+\$0
678	natural oak A	+\$0
68R	recograin rosewood A	+\$0
69A	recograin frosty ash A	+\$0
69R	recograin rosewood A	+\$0
69T	recograin teak A	+\$0
6A1	white ash A	+\$0
6K1	rift oak A	+\$0
6K6	burnt oak A	+\$0
ET	clear on ash A	+\$0
EU	oak on ash A	+\$0
EV	walnut on ash A	+\$0
GOU	natural walnut, flat cut, matte sheen A	+\$0

RecoGrain Veneer

For open shelf (-C1) or one file drawer (-CH) with one file drawer (CH), or six box drawers (top two pencil trays) (CG) with two 15" file drawers (CF), or one file drawer (CH) with two doors (C2)

66G	recograin wenge A	-\$715
68W	recograin walnut, flat cut, matte sheen A	-\$715
69G	recograin wenge A	-\$715
69K	recograin oak, quarter cut, matte sheen A	-\$715
69W	recograin walnut, quarter cut, matte sheen A	-\$715

Recon Veneer -

For open shelf (-C1) or one file drawer (-CH) with one file drawer (CH), or six box drawers (top two pencil trays) (CG) with two 15" file drawers (CF), or one file drawer (CH) with two doors (C2)

96G	wenge recograin, quarter cut, low sheen A	-\$715
98W	recograin walnut, flat cut, low sheen A	-\$715
99G	recograin wenge, quarter cut, low sheen A	-\$715
99K	recograin oak, quarter cut, low sheen A	-\$715
99W	recograin walnut, quarter cut, low sheen A	-\$715

H-Frame Credenza Four Units

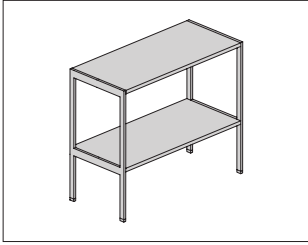
Wide *continued*

Step 8. Metal Finish

BNZ	bronze <input type="checkbox"/>	+\$0
CHR	chrome <input type="checkbox"/>	+\$0
SAC	satin chrome <input type="checkbox"/>	+\$0

H-Frame Credenza Stone Top

JCH1S
JCH2S
JCH3S
JCH4S



Product Information

Description

This one-unit wide H-frame credenza has a stone top and includes 1/2"-thick metal frame gables on the ends. H-frame credenzas are modular and shipped partially assembled.

Notes

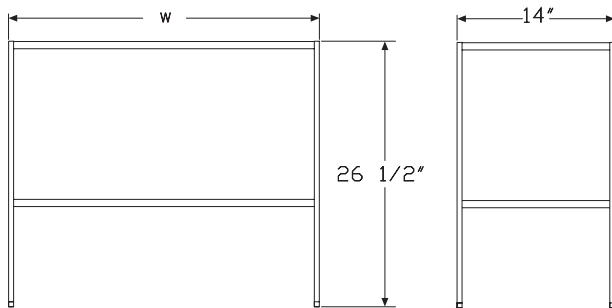
All hardware for assembly is included.

Drawer credenzas include wood boxes and self-closing hidden drawer slides.

CG six box drawer credenza includes pencil trays and felt lining in bottom of top two drawers.

When applicable, Ward Bennett Flip pulls come in matching metal finish. Santos palisander veneer is celebrated for its unique grain and color variations. Similar products ordered in multiples or dissimilar products ordered separately should be expected to have variation in both grain and color characteristics; no two products will look exactly alike.

Dimensions



Specification Information

Step 1.

JCH A

Step 2. Size and Configuration

1S-1431-C1 14" deep x 31" wide x 26 1/2" high, 1 unit, open A

2S-1462-C1C1 14" deep x 61 1/2" wide x 26 1/2" high, 2 units, open A

3S-1492-C1C1C1 14" deep x 92" wide x 26 1/2" high, 3 units, open A

4S-14123-C1C1C1C1 14" deep x 122 1/2" wide x 26 1/2" high, 4 units, open A

Prices for Steps 1-2.

JCH1S-1431-C1	\$3604
JCH2S-1462-C1C1	\$6568
JCH3S-1492-C1C1C1	\$9532
JCH4S-14123-C1C1C1C1	\$12496

Step 3. Stone or Marble Top

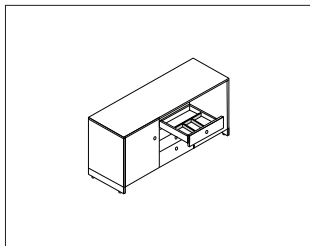
200	perfato marble <input type="checkbox"/> A	+\$0
250	verde antique marble <input type="checkbox"/> A	+\$0
400	black granite <input type="checkbox"/> A	+\$0
5U	georgia grey marble <input type="checkbox"/> A	+\$0
800	autumn brown granite <input type="checkbox"/> A	+\$0
960	white carrara marble <input type="checkbox"/> A	+\$0
HR	wisconsin black marble <input type="checkbox"/> A	+\$0

Step 4. Metal Finish

BNZ	bronze <input type="checkbox"/> A	+\$0
CHR	chrome <input type="checkbox"/> A	+\$0
SAC	satin chrome <input type="checkbox"/> A	+\$0

Silverware Drawer Insert

JA

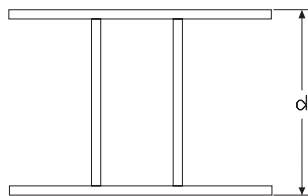
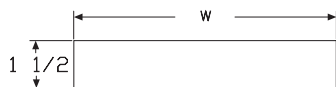


Product Information

Description

This drawer insert is for use with H-frame, sled, and mobile credenzas, in top box drawers. The bottom of top box drawer and silverware insert are covered with fabric.

Dimensions



Specification Information

Step 1.

JA A \$401

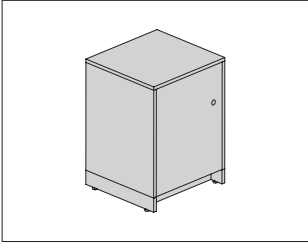
Step 2. Configuration

H1-712 for use with H-frame credenza A +\$0

S1-1015 for use with sled base or mobile credenza A +\$0

Sled Base Pedestal

JCS1-



HermanMiller Collection—Storage

Product Information

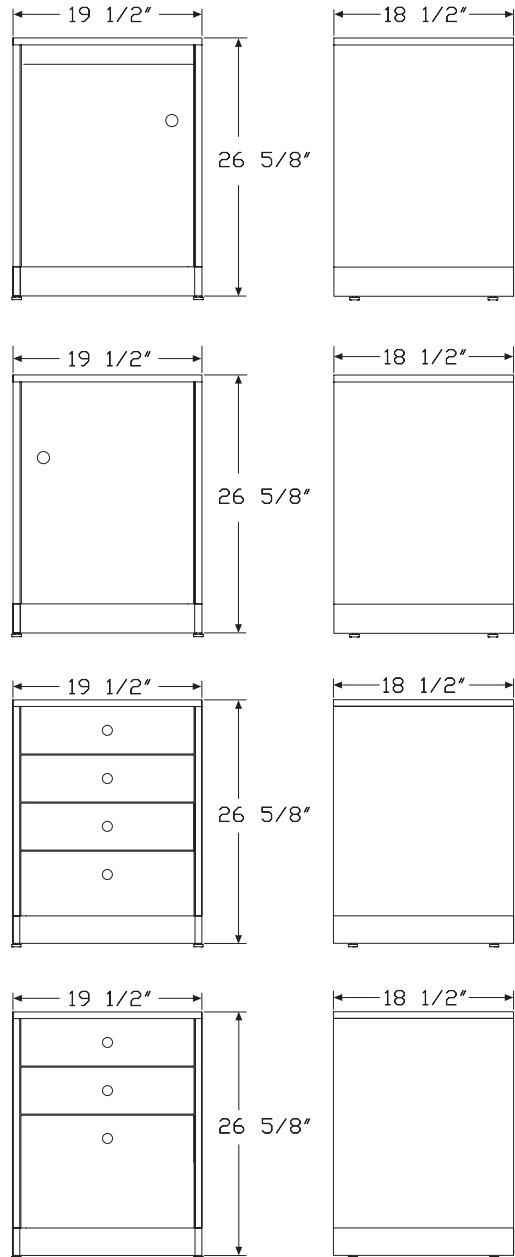
Description

This one-unit wide sled base credenza has a wood top and includes 3"-high metal base on the 3/4"-thick credenza gable. Storage unit is 18"-wide. Ward Bennett Flip pulls come in matching metal finish.

Notes

Sled base credenzas ship assembled.
 Drawer credenzas include wood boxes and self-closing hidden drawer slides. Pencil tray and felt lining in bottom of drawer also included.
 Santos palisander veneer is celebrated for its unique grain and color variations. Similar products ordered in multiples or dissimilar products ordered separately should be expected to have variation in both grain and color characteristics; no two products will look exactly alike.

Dimensions



Sled Base Pedestal *continued*

Specification Information

Step 1.

JCS1

Step 2. Size

-1920 18¹/₂" deep x 19¹/₂" wide x 26⁵/₈" high

Step 3. Configuration

-B2L single door, hinged left

-B2R single door, hinged right

-B3 four box drawer

-B4 box, box, file

Prices for Steps 1-3.

JCS1-1920	-B2L	\$3490
	-B2R	\$3490
	-B3	\$4576
	-B4	\$4160

Step 4. Wood Finish

Premium Veneer - Low Sheen

		-B2L	-B2R	-B3	-B4
931	champagne anigre (natural) <input type="checkbox"/>	+\$1396	1396	1831	1664
932	sundance anigre <input type="checkbox"/>	+\$1396	1396	1831	1664
933	caramel anigre <input type="checkbox"/>	+\$1396	1396	1831	1664
934	henna anigre <input type="checkbox"/>	+\$1396	1396	1831	1664
941	natural beech <input type="checkbox"/>	+\$0	0	0	0
942	sundance cherry (natural) <input type="checkbox"/>	+\$0	0	0	0
943	caramel cherry <input type="checkbox"/>	+\$0	0	0	0
946	cocoa cherry <input type="checkbox"/>	+\$0	0	0	0
951	natural anigre <input type="checkbox"/>	+\$1396	1396	1831	1664
956	cocoa sapele <input type="checkbox"/>	+\$0	0	0	0
962	toasted walnut, low sheen <input type="checkbox"/>	+\$0	0	0	0
963	charred walnut, low sheen <input type="checkbox"/>	+\$0	0	0	0
964	bronzed walnut, low sheen <input type="checkbox"/>	+\$0	0	0	0
965	smoked walnut, low sheen <input type="checkbox"/>	+\$0	0	0	0
966	coffee walnut, low sheen <input type="checkbox"/>	+\$0	0	0	0
967	smoked paldao, low sheen <input type="checkbox"/>	+\$524	524	687	624
969	warm paldao, low sheen <input type="checkbox"/>	+\$524	524	687	624

977	chocolate ash, low sheen <input type="checkbox"/>	+\$0	0	0	0
978	natural oak <input type="checkbox"/>	+\$0	0	0	0
981	champagne hickory (natural) <input type="checkbox"/>	+\$0	0	0	0
98R	recograin rosewood <input type="checkbox"/>	+\$0	0	0	0
991	champagne ash <input type="checkbox"/>	+\$0	0	0	0
998	ebony ash <input type="checkbox"/>	+\$0	0	0	0
99A	recograin frosty ash <input type="checkbox"/>	+\$0	0	0	0
99R	recograin rosewood <input type="checkbox"/>	+\$0	0	0	0
99T	recograin teak <input type="checkbox"/>	+\$0	0	0	0
9A1	white ash, quarter cut, low sheen <input type="checkbox"/>	+\$0	0	0	0
9K1	rift oak, rift cut, low sheen <input type="checkbox"/>	+\$0	0	0	0
9K6	burnt oak, rift cut, low sheen <input type="checkbox"/>	+\$0	0	0	0
ED	aged cherry <input type="checkbox"/>	+\$0	0	0	0
EK	medium red walnut <input type="checkbox"/>	+\$0	0	0	0
G2U	light brown walnut, low sheen <input type="checkbox"/>	+\$0	0	0	0
G40	dark brown walnut, low sheen <input type="checkbox"/>	+\$0	0	0	0
UX	walnut on cherry <input type="checkbox"/>	+\$0	0	0	0

Sled Base Pedestal *continued*

Premium Veneer - Matte		-B2L	-B2R	-B3	-B4
662	toasted walnut, matte sheen A	+\$0	0	0	0
663	charred walnut, matte sheen A	+\$0	0	0	0
664	bronzed walnut, matte sheen A	+\$0	0	0	0
665	smoked walnut, matte sheen A	+\$0	0	0	0
666	coffee walnut, matte sheen A	+\$0	0	0	0
667	smoked paldao, quarter cut, matte sheen A	+\$524	524	687	624
669	warm paldao, quarter cut, matte sheen A	+\$524	524	687	624
66A	recograin frosty ash A	+\$0	0	0	0
677	chocolate ash, matte sheen A	+\$0	0	0	0
678	natural oak A	+\$0	0	0	0
68R	recograin rosewood A	+\$0	0	0	0
69A	recograin frosty ash A	+\$0	0	0	0
69R	recograin rosewood A	+\$0	0	0	0
69T	recograin teak A	+\$0	0	0	0
6A1	white ash A	+\$0	0	0	0
6K1	rift oak A	+\$0	0	0	0
6K6	burnt oak A	+\$0	0	0	0
ET	clear on ash A	+\$0	0	0	0
EU	oak on ash A	+\$0	0	0	0
EV	walnut on ash A	+\$0	0	0	0
GOU	natural walnut, flat cut, matte sheen A	+\$0	0	0	0

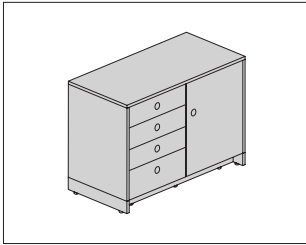
RecoGrain Veneer		-B2L	-B2R	-B3	-B4
66G	recograin wenge A	-\$175	-175	-229	-208
68W	recograin walnut, flat cut, matte sheen A	-\$175	-175	-229	-208
69G	recograin wenge A	-\$175	-175	-229	-208
69K	recograin oak, quarter cut, matte sheen A	-\$175	-175	-229	-208
69W	recograin walnut, quarter cut, matte sheen A	-\$175	-175	-229	-208

Recon Veneer -		-B2L	-B2R	-B3	-B4
96G	wenge recograin, quarter cut, low sheen A	-\$175	-175	-229	-208
98W	recograin walnut, flat cut, low sheen A	-\$175	-175	-229	-208
99G	recograin wenge, quarter cut, low sheen A	-\$175	-175	-229	-208
99K	recograin oak, quarter cut, low sheen A	-\$175	-175	-229	-208
99W	recograin walnut, quarter cut, low sheen A	-\$175	-175	-229	-208

Step 5. Metal Finish					
BNZ	bronze A				+\$0
CHR	chrome A				+\$0
SAC	satin chrome A				+\$0

Sled Base Credenza Two Units Wide

JCS2-Wide



Product Information

Description

This two-unit wide sled base credenza has a wood top and includes 3"-high metal base on the 3/4"-thick credenza gable. Storage unit is 18"-wide. Ward Bennett Flip pulls come in matching metal finish.

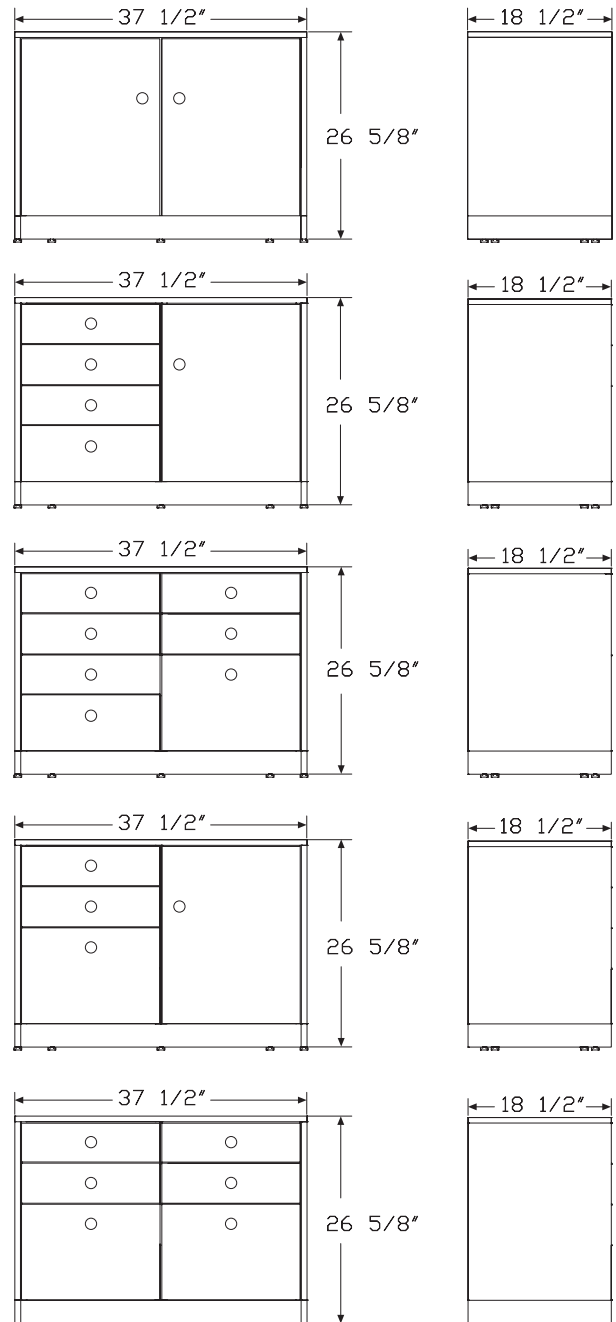
Notes

Sled base credenzas ship assembled.

Drawer credenzas include wood boxes and self-closing hidden drawer slides. Pencil tray and felt lining in bottom of drawer also included.

Santos palisander veneer is celebrated for its unique grain and color variations. Similar products ordered in multiples or dissimilar products ordered separately should be expected to have variation in both grain and color characteristics; no two products will look exactly alike.

Dimensions



Sled Base Credenza Two Units

Wide *continued*

Specification Information

Step 1.

JCS2 A

Step 2. Size

-1938 18¹/₂" deep x 37¹/₂" wide x 26⁵/₈" high A

Step 3. Configuration

- B2B2** two doors A
- B3B2** four drawers left, single door right A
- B3B4** four drawers left, BBF right A
- B4B2** BBF left, single door right A
- B4B4** BBF left, BBF right A

Prices for Steps 1-3.

JCS2-1938	-B2B2	\$5596
	-B3B2	\$6682
	-B3B4	\$7353
	-B4B2	\$6266
	-B4B4	\$6937

Step 4. Wood Finish

Premium Veneer - Low Sheen

		-B2B2	-B3B2	-B3B4	-B4B2	-B4B4
931	champagne anigre (natural) A	+\$2239	2673	2942	2507	2775
932	sundance anigre A	+\$2239	2673	2942	2507	2775
933	caramel anigre A	+\$2239	2673	2942	2507	2775
934	henna anigre A	+\$2239	2673	2942	2507	2775
941	natural beech A	+\$0	0	0	0	0
942	sundance cherry (natural) A	+\$0	0	0	0	0
943	caramel cherry A	+\$0	0	0	0	0
946	cocoa cherry A	+\$0	0	0	0	0
951	natural anigre A	+\$2239	2673	2942	2507	2775
956	cocoa sapele A	+\$0	0	0	0	0
962	toasted walnut, low sheen A	+\$0	0	0	0	0
963	charred walnut, low sheen A	+\$0	0	0	0	0
964	bronzed walnut, low sheen A	+\$0	0	0	0	0
965	smoked walnut, low sheen A	+\$0	0	0	0	0

966	coffee walnut, low sheen A	+\$0	0	0	0	0
967	smoked paldao, low sheen A	+\$840	1003	1103	940	1041
969	warm paldao, low sheen A	+\$840	1003	1103	940	1041
977	chocolate ash, low sheen A	+\$0	0	0	0	0
978	natural oak A	+\$0	0	0	0	0
981	champagne hickory (natural) A	+\$0	0	0	0	0
98R	recograin rosewood A	+\$0	0	0	0	0
991	champagne ash A	+\$0	0	0	0	0
998	ebony ash A	+\$0	0	0	0	0
99A	recograin frosty ash A	+\$0	0	0	0	0
99R	recograin rosewood A	+\$0	0	0	0	0
99T	recograin teak A	+\$0	0	0	0	0
9A1	white ash, quarter cut, low sheen A	+\$0	0	0	0	0
9K1	rift oak, rift cut, low sheen A	+\$0	0	0	0	0
9K6	burnt oak, rift cut, low sheen A	+\$0	0	0	0	0
ED	aged cherry A	+\$0	0	0	0	0
EK	medium red walnut A	+\$0	0	0	0	0
G2U	light brown walnut, low sheen A	+\$0	0	0	0	0
G40	dark brown walnut, low sheen A	+\$0	0	0	0	0
UX	walnut on cherry A	+\$0	0	0	0	0

Sled Base Credenza Two Units

Wide *continued*

Premium Veneer - Matte		-B2B2	-B3B2	-B3B4	-B4B2	-B4B4
662	toasted walnut, matte sheen A	+\$0	0	0	0	0
663	charred walnut, matte sheen A	+\$0	0	0	0	0
664	bronzed walnut, matte sheen A	+\$0	0	0	0	0
665	smoked walnut, matte sheen A	+\$0	0	0	0	0
666	coffee walnut, matte sheen A	+\$0	0	0	0	0
667	smoked paldao, quarter cut, matte sheen A	+\$840	1003	1103	940	1041
669	warm paldao, quarter cut, matte sheen A	+\$840	1003	1103	940	1041
66A	recograin frosty ash A	+\$0	0	0	0	0
677	chocolate ash, matte sheen A	+\$0	0	0	0	0
678	natural oak A	+\$0	0	0	0	0
68R	recograin rosewood A	+\$0	0	0	0	0
69A	recograin frosty ash A	+\$0	0	0	0	0
69R	recograin rosewood A	+\$0	0	0	0	0
69T	recograin teak A	+\$0	0	0	0	0
6A1	white ash A	+\$0	0	0	0	0
6K1	rift oak A	+\$0	0	0	0	0
6K6	burnt oak A	+\$0	0	0	0	0
ET	clear on ash A	+\$0	0	0	0	0
EU	oak on ash A	+\$0	0	0	0	0
EV	walnut on ash A	+\$0	0	0	0	0
GOU	natural walnut, flat cut, matte sheen A	+\$0	0	0	0	0

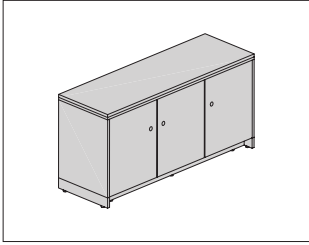
RecoGrain Veneer		-B2B2	-B3B2	-B3B4	-B4B2	-B4B4
66G	recograin wenge A	-\$280	-335	-368	-314	-347
68W	recograin walnut, flat cut, matte sheen A	-\$280	-335	-368	-314	-347
69G	recograin wenge A	-\$280	-335	-368	-314	-347
69K	recograin oak, quarter cut, matte sheen A	-\$280	-335	-368	-314	-347
69W	recograin walnut, quarter cut, matte sheen A	-\$280	-335	-368	-314	-347

Recon Veneer -		-B2B2	-B3B2	-B3B4	-B4B2	-B4B4
96G	wenge recograin, quarter cut, low sheen A	-\$280	-335	-368	-314	-347
98W	recograin walnut, flat cut, low sheen A	-\$280	-335	-368	-314	-347
99G	recograin wenge, quarter cut, low sheen A	-\$280	-335	-368	-314	-347
99K	recograin oak, quarter cut, low sheen A	-\$280	-335	-368	-314	-347
99W	recograin walnut, quarter cut, low sheen A	-\$280	-335	-368	-314	-347

Step 5. Metal Finish		
BNZ	bronze A	+\$0
CHR	chrome A	+\$0
SAC	satin chrome A	+\$0

Sled Base Credenza Three Units Wide

JCS3-



HermanMiller Collection—Storage

Product Information

Description

This three-unit wide sled base credenza has a wood top and includes 3"-high metal base on the 3/4"-thick credenza gable. Storage unit is 18"-wide. Ward Bennett Flip pulls come in matching metal finish.

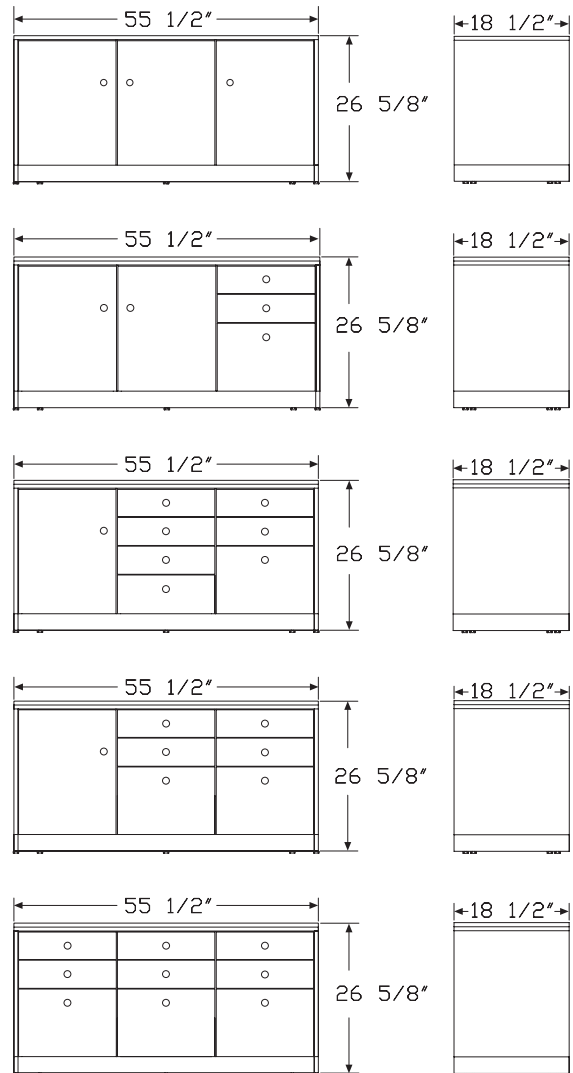
Notes

Sled base credenzas ship assembled.

Drawer credenzas include wood boxes and self-closing hidden drawer slides. Pencil tray and felt lining in bottom of drawer also included.

Santos palisander veneer is celebrated for its unique grain and color variations. Similar products ordered in multiples or dissimilar products ordered separately should be expected to have variation in both grain and color characteristics; no two products will look exactly alike.

Dimensions



Sled Base Credenza Three Units

Wide *continued*

Specification Information

Step 1.

JCS3 A

Step 2. Size

-1956 18¹/₂" deep x 55¹/₂" wide x 26⁵/₈" high A

Step 3. Configuration

-B2B2B2 three single doors A

-B2B2B4 single door left, single door center, BBF right A

-B2B3B4 single door left, 4 box center, BBF right A

-B2B4B4 single door left, BBF center, BBF right A

-B4B4B4 BBF left, BBF center, BBF right A

Prices for Steps 1-3.

JCS3-1956	-B2B2B2	\$7754
	-B2B2B4	\$8424
	-B2B3B4	\$9511
	-B2B4B4	\$9095
	-B4B4B4	\$9766

Step 4. Wood Finish

Premium Veneer - Low Sheen

		-B2B2B2	-B2B2B4	-B2B3B4	-B2B4B4	-B4B4B4
931	champagne anigre (natural) A	+\$3102	3370	3805	3638	3907
932	sundance anigre A	+\$3102	3370	3805	3638	3907
933	caramel anigre A	+\$3102	3370	3805	3638	3907
934	henna anigre A	+\$3102	3370	3805	3638	3907
941	natural beech A	+\$0	0	0	0	0
942	sundance cherry (natural) A	+\$0	0	0	0	0
943	caramel cherry A	+\$0	0	0	0	0
946	cocoa cherry A	+\$0	0	0	0	0
951	natural anigre A	+\$3102	3370	3805	3638	3907
956	cocoa sapele A	+\$0	0	0	0	0
962	toasted walnut, low sheen A	+\$0	0	0	0	0
963	charred walnut, low sheen A	+\$0	0	0	0	0
964	bronzed walnut, low sheen A	+\$0	0	0	0	0
965	smoked walnut, low sheen A	+\$0	0	0	0	0

966	coffee walnut, low sheen A	+\$0	0	0	0	0
967	smoked paldao, low sheen A	+\$1164	1264	1427	1365	1465
969	warm paldao, low sheen A	+\$1164	1264	1427	1365	1465
977	chocolate ash, low sheen A	+\$0	0	0	0	0
978	natural oak A	+\$0	0	0	0	0
981	champagne hickory (natural) A	+\$0	0	0	0	0
98R	recograin rosewood A	+\$0	0	0	0	0
991	champagne ash A	+\$0	0	0	0	0
998	ebony ash A	+\$0	0	0	0	0
99A	recograin frosty ash A	+\$0	0	0	0	0
99R	recograin rosewood A	+\$0	0	0	0	0
99T	recograin teak A	+\$0	0	0	0	0
9A1	white ash, quarter cut, low sheen A	+\$0	0	0	0	0
9K1	rift oak, rift cut, low sheen A	+\$0	0	0	0	0
9K6	burnt oak, rift cut, low sheen A	+\$0	0	0	0	0
ED	aged cherry A	+\$0	0	0	0	0
EK	medium red walnut A	+\$0	0	0	0	0
G2U	light brown walnut, low sheen A	+\$0	0	0	0	0
G40	dark brown walnut, low sheen A	+\$0	0	0	0	0
UX	walnut on cherry A	+\$0	0	0	0	0

Sled Base Credenza Three Units

Wide *continued*

HermanMiller Collection—Storage

Premium Veneer - Matte		-B2B2B2	-B2B2B4	-B2B3B4	-B2B4B4	-B4B4B4
662	toasted walnut, matte sheen A	+\$0	0	0	0	0
663	charred walnut, matte sheen A	+\$0	0	0	0	0
664	bronzed walnut, matte sheen A	+\$0	0	0	0	0
665	smoked walnut, matte sheen A	+\$0	0	0	0	0
666	coffee walnut, matte sheen A	+\$0	0	0	0	0
667	smoked paldao, quarter cut, matte sheen A	+\$1164	1264	1427	1365	1465
669	warm paldao, quarter cut, matte sheen A	+\$1164	1264	1427	1365	1465
66A	recograin frosty ash A	+\$0	0	0	0	0
677	chocolate ash, matte sheen A	+\$0	0	0	0	0
678	natural oak A	+\$0	0	0	0	0
68R	recograin rosewood A	+\$0	0	0	0	0
69A	recograin frosty ash A	+\$0	0	0	0	0
69R	recograin rosewood A	+\$0	0	0	0	0
69T	recograin teak A	+\$0	0	0	0	0
6A1	white ash A	+\$0	0	0	0	0
6K1	rift oak A	+\$0	0	0	0	0
6K6	burnt oak A	+\$0	0	0	0	0
ET	clear on ash A	+\$0	0	0	0	0
EU	oak on ash A	+\$0	0	0	0	0
EV	walnut on ash A	+\$0	0	0	0	0
GOU	natural walnut, flat cut, matte sheen A	+\$0	0	0	0	0

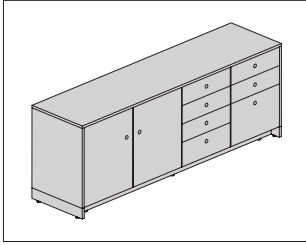
RecoGrain Veneer		-B2B2B2	-B2B2B4	-B2B3B4	-B2B4B4	-B4B4B4
66G	recograin wenge A	-\$388	-422	-476	-455	-489
68W	recograin walnut, flat cut, matte sheen A	-\$388	-422	-476	-455	-489
69G	recograin wenge A	-\$388	-422	-476	-455	-489
69K	recograin oak, quarter cut, matte sheen A	-\$388	-422	-476	-455	-489
69W	recograin walnut, quarter cut, matte sheen A	-\$388	-422	-476	-455	-489

Recon Veneer -		-B2B2B2	-B2B2B4	-B2B3B4	-B2B4B4	-B4B4B4
96G	wenge recograin, quarter cut, low sheen A	-\$388	-422	-476	-455	-489
98W	recograin walnut, flat cut, low sheen A	-\$388	-422	-476	-455	-489
99G	recograin wenge, quarter cut, low sheen A	-\$388	-422	-476	-455	-489
99K	recograin oak, quarter cut, low sheen A	-\$388	-422	-476	-455	-489
99W	recograin walnut, quarter cut, low sheen A	-\$388	-422	-476	-455	-489

Step 5. Metal Finish		
BNZ	bronze A	+\$0
CHR	chrome A	+\$0
SAC	satin chrome A	+\$0

Sled Base Credenza Four Units
Wide

JCS4-



Product Information

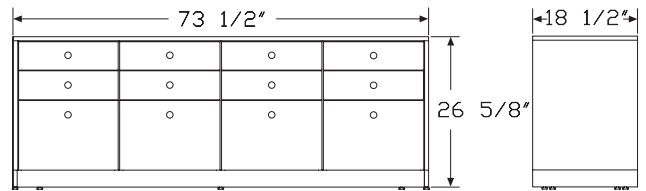
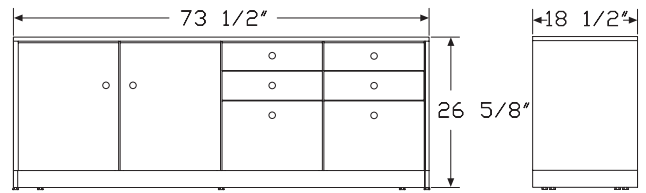
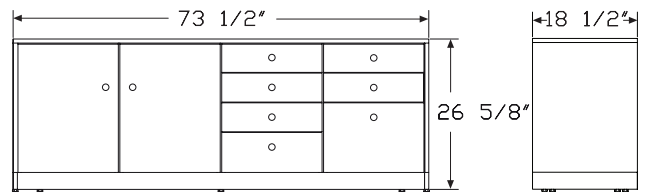
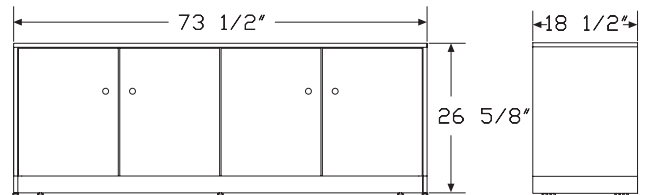
Description

This four-unit wide sled base credenza has a wood top and includes 3"-high metal base on the 3/4"-thick credenza gable. Storage unit is 18"-wide. Ward Bennett Flip pulls come in matching metal finish.

Notes

Sled base credenzas ship assembled.
 Drawer credenzas include wood boxes and self-closing hidden drawer slides. Pencil tray and felt lining in bottom of drawer also included.
 Santos palisander veneer is celebrated for its unique grain and color variations. Similar products ordered in multiples or dissimilar products ordered separately should be expected to have variation in both grain and color characteristics; no two products will look exactly alike.

Dimensions



HermanMiller Collection—Storage

Sled Base Credenza Four Units Wide *continued*

Specification Information

Step 1.

JCS4

Step 2. Size

-1974 18¹/₂" deep x 73¹/₂" wide x 26⁵/₈" high

Step 3. Configuration

-B2B2B2B2 four single doors

-B2B2B3B4 single door left, single door left center, four drawers right center, BBF right

-B2B2B4B4 single door left, single door left center, BBF right center, BBF right

-B4B4B4B4 four BBF

Prices for Steps 1-3.

JCS4-1974	-B2B2B2B2	\$9901
	-B2B2B3B4	\$11659
	-B2B2B4B4	\$11243
	-B4B4B4B4	\$12584

Step 4. Wood Finish

Premium Veneer - Low Sheen

For four single doors (-B2B2B2B2)

931	champagne anigre (natural) <input type="checkbox"/>	+\$3961
932	sundance anigre <input type="checkbox"/>	+\$3961
933	caramel anigre <input type="checkbox"/>	+\$3961
934	henna anigre <input type="checkbox"/>	+\$3961
941	natural beech <input type="checkbox"/>	+\$0
942	sundance cherry (natural) <input type="checkbox"/>	+\$0
943	caramel cherry <input type="checkbox"/>	+\$0
946	cocoa cherry <input type="checkbox"/>	+\$0
951	natural anigre <input type="checkbox"/>	+\$3961
956	cocoa sapele <input type="checkbox"/>	+\$0
962	toasted walnut, low sheen <input type="checkbox"/>	+\$0
963	charred walnut, low sheen <input type="checkbox"/>	+\$0
964	bronzed walnut, low sheen <input type="checkbox"/>	+\$0
965	smoked walnut, low sheen <input type="checkbox"/>	+\$0
966	coffee walnut, low sheen <input type="checkbox"/>	+\$0
967	smoked paldao, low sheen <input type="checkbox"/>	+\$1486
969	warm paldao, low sheen <input type="checkbox"/>	+\$1486
977	chocolate ash, low sheen <input type="checkbox"/>	+\$0
978	natural oak <input type="checkbox"/>	+\$0
981	champagne hickory (natural) <input type="checkbox"/>	+\$0
98R	recograin rosewood <input type="checkbox"/>	+\$0
991	champagne ash <input type="checkbox"/>	+\$0
998	ebony ash <input type="checkbox"/>	+\$0
99A	recograin frosty ash <input type="checkbox"/>	+\$0
99R	recograin rosewood <input type="checkbox"/>	+\$0
99T	recograin teak <input type="checkbox"/>	+\$0
9A1	white ash, quarter cut, low sheen <input type="checkbox"/>	+\$0
9K1	rift oak, rift cut, low sheen <input type="checkbox"/>	+\$0
9K6	burnt oak, rift cut, low sheen <input type="checkbox"/>	+\$0
ED	aged cherry <input type="checkbox"/>	+\$0
EK	medium red walnut <input type="checkbox"/>	+\$0
G2U	light brown walnut, low sheen <input type="checkbox"/>	+\$0
G40	dark brown walnut, low sheen <input type="checkbox"/>	+\$0
UX	walnut on cherry <input type="checkbox"/>	+\$0

Sled Base Credenza Four Units

Wide *continued*

Premium Veneer - Matte

For four single doors (-B2B2B2B2)

662	toasted walnut, matte sheen <input type="checkbox"/>	+\$0
663	charred walnut, matte sheen <input type="checkbox"/>	+\$0
664	bronzed walnut, matte sheen <input type="checkbox"/>	+\$0
665	smoked walnut, matte sheen <input type="checkbox"/>	+\$0
666	coffee walnut, matte sheen <input type="checkbox"/>	+\$0
667	smoked paldao, quarter cut, matte sheen <input type="checkbox"/>	+\$1486
669	warm paldao, quarter cut, matte sheen <input type="checkbox"/>	+\$1486
66A	recograin frosty ash <input type="checkbox"/>	+\$0
677	chocolate ash, matte sheen <input type="checkbox"/>	+\$0
678	natural oak <input type="checkbox"/>	+\$0
68R	recograin rosewood <input type="checkbox"/>	+\$0
69A	recograin frosty ash <input type="checkbox"/>	+\$0
69R	recograin rosewood <input type="checkbox"/>	+\$0
69T	recograin teak <input type="checkbox"/>	+\$0
6A1	white ash <input type="checkbox"/>	+\$0
6K1	rift oak <input type="checkbox"/>	+\$0
6K6	burnt oak <input type="checkbox"/>	+\$0
ET	clear on ash <input type="checkbox"/>	+\$0
EU	oak on ash <input type="checkbox"/>	+\$0
EV	walnut on ash <input type="checkbox"/>	+\$0
GOU	natural walnut, flat cut, matte sheen <input type="checkbox"/>	+\$0

RecoGrain Veneer

For four single doors (-B2B2B2B2)

66G	recograin wenge <input type="checkbox"/>	-\$496
68W	recograin walnut, flat cut, matte sheen <input type="checkbox"/>	-\$496
69G	recograin wenge <input type="checkbox"/>	-\$496
69K	recograin oak, quarter cut, matte sheen <input type="checkbox"/>	-\$496
69W	recograin walnut, quarter cut, matte sheen <input type="checkbox"/>	-\$496

Recon Veneer -

For four single doors (-B2B2B2B2)

96G	wenge recograin, quarter cut, low sheen <input type="checkbox"/>	-\$496
98W	recograin walnut, flat cut, low sheen <input type="checkbox"/>	-\$496
99G	recograin wenge, quarter cut, low sheen <input type="checkbox"/>	-\$496
99K	recograin oak, quarter cut, low sheen <input type="checkbox"/>	-\$496
99W	recograin walnut, quarter cut, low sheen <input type="checkbox"/>	-\$496

Premium Veneer - Low Sheen

For single door left, single door left center, four drawers right center, BBF right (-B2B2B3B4)

931	champagne anigre (natural) <input type="checkbox"/>	+\$4664
932	sundance anigre <input type="checkbox"/>	+\$4664
933	caramel anigre <input type="checkbox"/>	+\$4664
934	henna anigre <input type="checkbox"/>	+\$4664
941	natural beech <input type="checkbox"/>	+\$0
942	sundance cherry (natural) <input type="checkbox"/>	+\$0
943	caramel cherry <input type="checkbox"/>	+\$0
946	cocoa cherry <input type="checkbox"/>	+\$0
951	natural anigre <input type="checkbox"/>	+\$4664
956	cocoa sapele <input type="checkbox"/>	+\$0
962	toasted walnut, low sheen <input type="checkbox"/>	+\$0
963	charred walnut, low sheen <input type="checkbox"/>	+\$0
964	bronzed walnut, low sheen <input type="checkbox"/>	+\$0
965	smoked walnut, low sheen <input type="checkbox"/>	+\$0
966	coffee walnut, low sheen <input type="checkbox"/>	+\$0
967	smoked paldao, low sheen <input type="checkbox"/>	+\$1749
969	warm paldao, low sheen <input type="checkbox"/>	+\$1749
977	chocolate ash, low sheen <input type="checkbox"/>	+\$0
978	natural oak <input type="checkbox"/>	+\$0
981	champagne hickory (natural) <input type="checkbox"/>	+\$0
98R	recograin rosewood <input type="checkbox"/>	+\$0
991	champagne ash <input type="checkbox"/>	+\$0
998	ebony ash <input type="checkbox"/>	+\$0
99A	recograin frosty ash <input type="checkbox"/>	+\$0
99R	recograin rosewood <input type="checkbox"/>	+\$0
99T	recograin teak <input type="checkbox"/>	+\$0
9A1	white ash, quarter cut, low sheen <input type="checkbox"/>	+\$0
9K1	rift oak, rift cut, low sheen <input type="checkbox"/>	+\$0
9K6	burnt oak, rift cut, low sheen <input type="checkbox"/>	+\$0
ED	aged cherry <input type="checkbox"/>	+\$0
EK	medium red walnut <input type="checkbox"/>	+\$0
G2U	light brown walnut, low sheen <input type="checkbox"/>	+\$0
G40	dark brown walnut, low sheen <input type="checkbox"/>	+\$0
UX	walnut on cherry <input type="checkbox"/>	+\$0

Sled Base Credenza Four Units

Wide *continued*

Premium Veneer - Matte

For single door left, single door left center, four drawers right center, BBF right (-B2B2B3B4)

662	toasted walnut, matte sheen A	+\$0
663	charred walnut, matte sheen A	+\$0
664	bronzed walnut, matte sheen A	+\$0
665	smoked walnut, matte sheen A	+\$0
666	coffee walnut, matte sheen A	+\$0
667	smoked paldao, quarter cut, matte sheen A	+\$1749
669	warm paldao, quarter cut, matte sheen A	+\$1749
66A	recograin frosty ash A	+\$0
677	chocolate ash, matte sheen A	+\$0
678	natural oak A	+\$0
68R	recograin rosewood A	+\$0
69A	recograin frosty ash A	+\$0
69R	recograin rosewood A	+\$0
69T	recograin teak A	+\$0
6A1	white ash A	+\$0
6K1	rift oak A	+\$0
6K6	burnt oak A	+\$0
ET	clear on ash A	+\$0
EU	oak on ash A	+\$0
EV	walnut on ash A	+\$0
GOU	natural walnut, flat cut, matte sheen A	+\$0

RecoGrain Veneer

For single door left, single door left center, four drawers right center, BBF right (-B2B2B3B4)

66G	recograin wenge A	-\$583
68W	recograin walnut, flat cut, matte sheen A	-\$583
69G	recograin wenge A	-\$583
69K	recograin oak, quarter cut, matte sheen A	-\$583
69W	recograin walnut, quarter cut, matte sheen A	-\$583

Recon Veneer -

For single door left, single door left center, four drawers right center, BBF right (-B2B2B3B4)

96G	wenge recograin, quarter cut, low sheen A	-\$583
98W	recograin walnut, flat cut, low sheen A	-\$583
99G	recograin wenge, quarter cut, low sheen A	-\$583
99K	recograin oak, quarter cut, low sheen A	-\$583
99W	recograin walnut, quarter cut, low sheen A	-\$583

Premium Veneer - Low Sheen

For single door left, single door left center, BBF right center, BBF right (-B2B2B4B4)

931	champagne anigre (natural) A	+\$4498
932	sundance anigre A	+\$4498
933	caramel anigre A	+\$4498
934	henna anigre A	+\$4498
941	natural beech A	+\$0
942	sundance cherry (natural) A	+\$0
943	caramel cherry A	+\$0
946	cocoa cherry A	+\$0
951	natural anigre A	+\$4498
956	cocoa sapele A	+\$0
962	toasted walnut, low sheen A	+\$0
963	charred walnut, low sheen A	+\$0
964	bronzed walnut, low sheen A	+\$0
965	smoked walnut, low sheen A	+\$0
966	coffee walnut, low sheen A	+\$0
967	smoked paldao, low sheen A	+\$1687
969	warm paldao, low sheen A	+\$1687
977	chocolate ash, low sheen A	+\$0
978	natural oak A	+\$0
981	champagne hickory (natural) A	+\$0
98R	recograin rosewood A	+\$0
991	champagne ash A	+\$0
998	ebony ash A	+\$0
99A	recograin frosty ash A	+\$0
99R	recograin rosewood A	+\$0
99T	recograin teak A	+\$0
9A1	white ash, quarter cut, low sheen A	+\$0
9K1	rift oak, rift cut, low sheen A	+\$0
9K6	burnt oak, rift cut, low sheen A	+\$0
ED	aged cherry A	+\$0
EK	medium red walnut A	+\$0
G2U	light brown walnut, low sheen A	+\$0
G40	dark brown walnut, low sheen A	+\$0
UX	walnut on cherry A	+\$0

Sled Base Credenza Four Units

Wide *continued*

Premium Veneer - Matte

For single door left, single door left center, BBF right center, BBF right (-B2B2B4B4)

662	toasted walnut, matte sheen <input type="checkbox"/>	+\$0
663	charred walnut, matte sheen <input type="checkbox"/>	+\$0
664	bronzed walnut, matte sheen <input type="checkbox"/>	+\$0
665	smoked walnut, matte sheen <input type="checkbox"/>	+\$0
666	coffee walnut, matte sheen <input type="checkbox"/>	+\$0
667	smoked paldao, quarter cut, matte sheen <input type="checkbox"/>	+\$1687
669	warm paldao, quarter cut, matte sheen <input type="checkbox"/>	+\$0
66A	recograin frosty ash <input type="checkbox"/>	+\$0
677	chocolate ash, matte sheen <input type="checkbox"/>	+\$0
678	natural oak <input type="checkbox"/>	+\$0
68R	recograin rosewood <input type="checkbox"/>	+\$0
69A	recograin frosty ash <input type="checkbox"/>	+\$0
69R	recograin rosewood <input type="checkbox"/>	+\$0
69T	recograin teak <input type="checkbox"/>	+\$0
6A1	white ash <input type="checkbox"/>	+\$0
6K1	rift oak <input type="checkbox"/>	+\$0
6K6	burnt oak <input type="checkbox"/>	+\$0
ET	clear on ash <input type="checkbox"/>	+\$0
EU	oak on ash <input type="checkbox"/>	+\$0
EV	walnut on ash <input type="checkbox"/>	+\$0
GOU	natural walnut, flat cut, matte sheen <input type="checkbox"/>	+\$0

RecoGrain Veneer

For single door left, single door left center, BBF right center, BBF right (-B2B2B4B4)

66G	recograin wenge <input type="checkbox"/>	-\$563
68W	recograin walnut, flat cut, matte sheen <input type="checkbox"/>	-\$563
69G	recograin wenge <input type="checkbox"/>	-\$563
69K	recograin oak, quarter cut, matte sheen <input type="checkbox"/>	-\$563
69W	recograin walnut, quarter cut, matte sheen <input type="checkbox"/>	-\$563

Recon Veneer -

For single door left, single door left center, BBF right center, BBF right (-B2B2B4B4)

96G	wenge recograin, quarter cut, low sheen <input type="checkbox"/>	-\$563
98W	recograin walnut, flat cut, low sheen <input type="checkbox"/>	-\$563
99G	recograin wenge, quarter cut, low sheen <input type="checkbox"/>	-\$563
99K	recograin oak, quarter cut, low sheen <input type="checkbox"/>	-\$563
99W	recograin walnut, quarter cut, low sheen <input type="checkbox"/>	-\$563

Premium Veneer - Low Sheen

For four BBF (-B4B4B4B4)

931	champagne anigre (natural) <input type="checkbox"/>	+\$5034
932	sundance anigre <input type="checkbox"/>	+\$5034
933	caramel anigre <input type="checkbox"/>	+\$5034
934	henna anigre <input type="checkbox"/>	+\$5034
941	natural beech <input type="checkbox"/>	+\$0
942	sundance cherry (natural) <input type="checkbox"/>	+\$0
943	caramel cherry <input type="checkbox"/>	+\$0
946	cocoa cherry <input type="checkbox"/>	+\$0
951	natural anigre <input type="checkbox"/>	+\$5034
956	cocoa sapele <input type="checkbox"/>	+\$0
962	toasted walnut, low sheen <input type="checkbox"/>	+\$0
963	charred walnut, low sheen <input type="checkbox"/>	+\$0
964	bronzed walnut, low sheen <input type="checkbox"/>	+\$0
965	smoked walnut, low sheen <input type="checkbox"/>	+\$0
966	coffee walnut, low sheen <input type="checkbox"/>	+\$0
967	smoked paldao, low sheen <input type="checkbox"/>	+\$1888
969	warm paldao, low sheen <input type="checkbox"/>	+\$1888
977	chocolate ash, low sheen <input type="checkbox"/>	+\$0
978	natural oak <input type="checkbox"/>	+\$0
981	champagne hickory (natural) <input type="checkbox"/>	+\$0
98R	recograin rosewood <input type="checkbox"/>	+\$0
991	champagne ash <input type="checkbox"/>	+\$0
998	ebony ash <input type="checkbox"/>	+\$0
99A	recograin frosty ash <input type="checkbox"/>	+\$0
99R	recograin rosewood <input type="checkbox"/>	+\$0
99T	recograin teak <input type="checkbox"/>	+\$0
9A1	white ash, quarter cut, low sheen <input type="checkbox"/>	+\$0
9K1	rift oak, rift cut, low sheen <input type="checkbox"/>	+\$0
9K6	burnt oak, rift cut, low sheen <input type="checkbox"/>	+\$0
ED	aged cherry <input type="checkbox"/>	+\$0
EK	medium red walnut <input type="checkbox"/>	+\$0
G2U	light brown walnut, low sheen <input type="checkbox"/>	+\$0
G40	dark brown walnut, low sheen <input type="checkbox"/>	+\$0
UX	walnut on cherry <input type="checkbox"/>	+\$0

Sled Base Credenza Four Units

Wide *continued*

Premium Veneer - Matte

For four BBF (-B4B4B4B4)

662	toasted walnut, matte sheen <input type="checkbox"/>	+\$0
663	charred walnut, matte sheen <input type="checkbox"/>	+\$0
664	bronzed walnut, matte sheen <input type="checkbox"/>	+\$0
665	smoked walnut, matte sheen <input type="checkbox"/>	+\$0
666	coffee walnut, matte sheen <input type="checkbox"/>	+\$0
66A	recograin frosty ash <input type="checkbox"/>	+\$0
677	chocolate ash, matte sheen <input type="checkbox"/>	+\$0
678	natural oak <input type="checkbox"/>	+\$0
68R	recograin rosewood <input type="checkbox"/>	+\$0
69A	recograin frosty ash <input type="checkbox"/>	+\$0
69R	recograin rosewood <input type="checkbox"/>	+\$0
69T	recograin teak <input type="checkbox"/>	+\$0
6A1	white ash <input type="checkbox"/>	+\$0
6K1	rift oak <input type="checkbox"/>	+\$0
6K6	burnt oak <input type="checkbox"/>	+\$0
ET	clear on ash <input type="checkbox"/>	+\$0
EU	oak on ash <input type="checkbox"/>	+\$0
EV	walnut on ash <input type="checkbox"/>	+\$0
GOU	natural walnut, flat cut, matte sheen <input type="checkbox"/>	+\$0

RecoGrain Veneer

For four BBF (-B4B4B4B4)

66G	recograin wenge <input type="checkbox"/>	-\$630
68W	recograin walnut, flat cut, matte sheen <input type="checkbox"/>	-\$630
69G	recograin wenge <input type="checkbox"/>	-\$630
69K	recograin oak, quarter cut, matte sheen <input type="checkbox"/>	-\$630
69W	recograin walnut, quarter cut, matte sheen <input type="checkbox"/>	-\$630

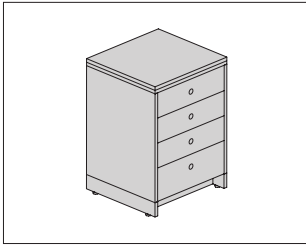
Recon Veneer -

For four BBF (-B4B4B4B4)

96G	wenge recograin, quarter cut, low sheen <input type="checkbox"/>	-\$630
98W	recograin walnut, flat cut, low sheen <input type="checkbox"/>	-\$630
99G	recograin wenge, quarter cut, low sheen <input type="checkbox"/>	-\$630
99K	recograin oak, quarter cut, low sheen <input type="checkbox"/>	-\$630
99W	recograin walnut, quarter cut, low sheen <input type="checkbox"/>	-\$630

Step 5. Metal Finish

BNZ	bronze <input type="checkbox"/>	+\$0
CHR	chrome <input type="checkbox"/>	+\$0
SAC	satin chrome <input type="checkbox"/>	+\$0



Product Information

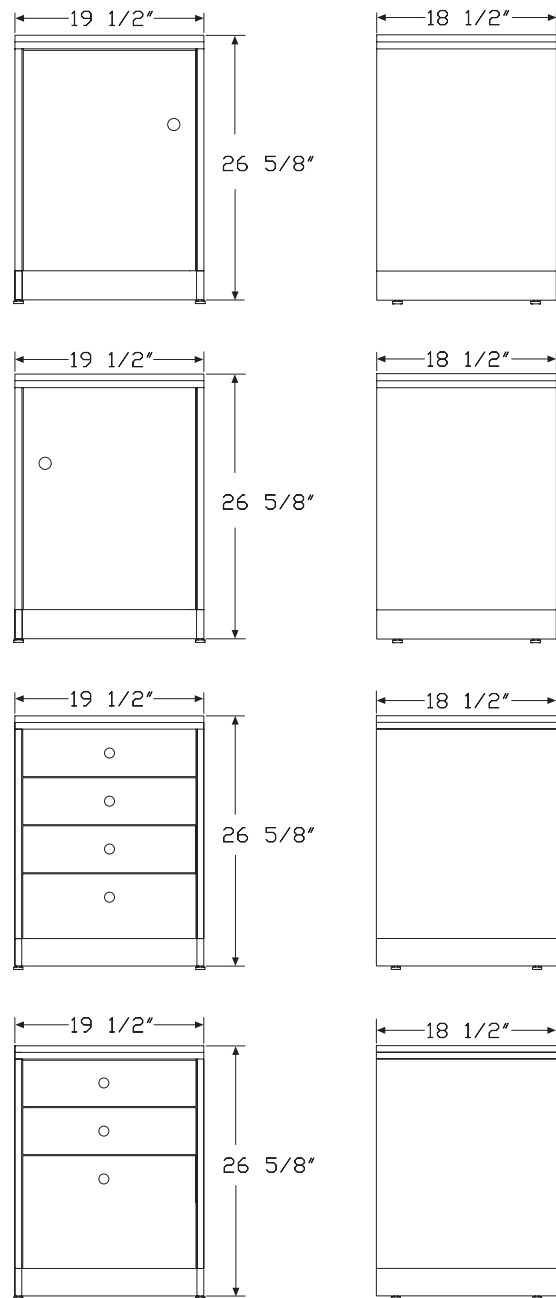
Description

This one-unit wide sled base credenza has a stone top and includes 3"-high metal base on the 3/4"-thick credenza gable. Storage unit is 18"-wide. Ward Bennett Flip pulls come in matching metal finish.

Notes

Sled base credenzas ship assembled.
 Drawer credenzas include wood boxes and self-closing hidden drawer slides. Pencil tray and felt lining in bottom of drawer also included.
 Santos palisander veneer is celebrated for its unique grain and color variations. Similar products ordered in multiples or dissimilar products ordered separately should be expected to have variation in both grain and color characteristics; no two products will look exactly alike.

Dimensions



Sled Base Pedestal Stone Top

continued

Specification Information

Step 1.

JCS1S A

Step 2. Size

-1920 18¹/₂" deep x 19¹/₂" wide x 26⁵/₈" high A

Step 3. Configuration

-B2L single door, hinged left A

-B2R single door, hinged right A

-B3 four box drawer A

-B4 box, box, file A

Prices for Steps 1-3.

		-B2L	-B2R	-B3	-B4
JCS1S	-1920	\$4535	4535	5622	5206

Step 4. Wood Finish

Premium Veneer - Low Sheen

		-B2L	-B2R	-B3	-B4
931	champagne anigre (natural) A	+\$1814	1814	2249	2083
932	sundance anigre A	+\$1814	1814	2249	2083
933	caramel anigre A	+\$1814	1814	2249	2083
934	henna anigre A	+\$1814	1814	2249	2083
941	natural beech A	+\$0	0	0	0
942	sundance cherry (natural) A	+\$0	0	0	0
943	caramel cherry A	+\$0	0	0	0
946	cocoa cherry A	+\$0	0	0	0
951	natural anigre A	+\$1814	1814	2249	2083
956	cocoa sapele A	+\$0	0	0	0
962	toasted walnut, low sheen A	+\$0	0	0	0
963	charred walnut, low sheen A	+\$0	0	0	0
964	bronzed walnut, low sheen A	+\$0	0	0	0
965	smoked walnut, low sheen A	+\$0	0	0	0
966	coffee walnut, low sheen A	+\$0	0	0	0
967	smoked paldao, low sheen A	+\$681	681	844	781
969	warm paldao, low sheen A	+\$681	681	844	781
977	chocolate ash, low sheen A	+\$0	0	0	0
978	natural oak A	+\$0	0	0	0

981	champagne hickory (natural) A	+\$0	0	0	0
98R	recograin rosewood A	+\$0	0	0	0
991	champagne ash A	+\$0	0	0	0
998	ebony ash A	+\$0	0	0	0
99A	recograin frosty ash A	+\$0	0	0	0
99R	recograin rosewood A	+\$0	0	0	0
99T	recograin teak A	+\$0	0	0	0
9A1	white ash, quarter cut, low sheen A	+\$0	0	0	0
9K1	rift oak, rift cut, low sheen A	+\$0	0	0	0
9K6	burnt oak, rift cut, low sheen A	+\$0	0	0	0
ED	aged cherry A	+\$0	0	0	0
EK	medium red walnut A	+\$0	0	0	0
G2U	light brown walnut, low sheen A	+\$0	0	0	0
G40	dark brown walnut, low sheen A	+\$0	0	0	0
UX	walnut on cherry A	+\$0	0	0	0

Sled Base Pedestal Stone Top

continued

Premium Veneer - Matte		-B2L	-B2R	-B3	-B4
662	toasted walnut, matte sheen <input type="checkbox"/>	+\$0	0	0	0
663	charred walnut, matte sheen <input type="checkbox"/>	+\$0	0	0	0
664	bronzed walnut, matte sheen <input type="checkbox"/>	+\$0	0	0	0
665	smoked walnut, matte sheen <input type="checkbox"/>	+\$0	0	0	0
666	coffee walnut, matte sheen <input type="checkbox"/>	+\$0	0	0	0
667	smoked paldao, quarter cut, matte sheen <input type="checkbox"/>	+\$681	681	844	781
669	warm paldao, quarter cut, matte sheen <input type="checkbox"/>	+\$681	681	844	781
66A	recograin frosty ash <input type="checkbox"/>	+\$0	0	0	0
677	chocolate ash, matte sheen <input type="checkbox"/>	+\$0	0	0	0
678	natural oak <input type="checkbox"/>	+\$0	0	0	0
68R	recograin rosewood <input type="checkbox"/>	+\$0	0	0	0
69A	recograin frosty ash <input type="checkbox"/>	+\$0	0	0	0
69R	recograin rosewood <input type="checkbox"/>	+\$0	0	0	0
69T	recograin teak <input type="checkbox"/>	+\$0	0	0	0
6A1	white ash <input type="checkbox"/>	+\$0	0	0	0
6K1	rift oak <input type="checkbox"/>	+\$0	0	0	0
6K6	burnt oak <input type="checkbox"/>	+\$0	0	0	0
ET	clear on ash <input type="checkbox"/>	+\$0	0	0	0
EU	oak on ash <input type="checkbox"/>	+\$0	0	0	0
EV	walnut on ash <input type="checkbox"/>	+\$0	0	0	0
GOU	natural walnut, flat cut, matte sheen <input type="checkbox"/>	+\$0	0	0	0

RecoGrain Veneer		-B2L	-B2R	-B3	-B4
66G	recograin wenge <input type="checkbox"/>	-\$227	-227	-282	-261
68W	recograin walnut, flat cut, matte sheen <input type="checkbox"/>	-\$227	-227	-282	-261
69G	recograin wenge <input type="checkbox"/>	-\$227	-227	-282	-261
69K	recograin oak, quarter cut, matte sheen <input type="checkbox"/>	-\$227	-227	-282	-261
69W	recograin walnut, quarter cut, matte sheen <input type="checkbox"/>	-\$227	-227	-282	-261

Recon Veneer -		-B2L	-B2R	-B3	-B4
96G	wenge recograin, quarter cut, low sheen <input type="checkbox"/>	-\$227	-227	-181	-261
98W	recograin walnut, flat cut, low sheen <input type="checkbox"/>	-\$227	-227	-181	-261
99G	recograin wenge, quarter cut, low sheen <input type="checkbox"/>	-\$227	-227	-181	-261
99K	recograin oak, quarter cut, low sheen <input type="checkbox"/>	-\$227	-227	-181	-261
99W	recograin walnut, quarter cut, low sheen <input type="checkbox"/>	-\$227	-227	-181	-261

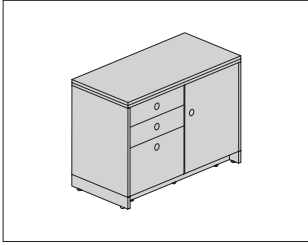
Step 5. Stone or Marble Top			
200	perfato marble <input type="checkbox"/>		+\$0
250	verde antique marble <input type="checkbox"/>		+\$0
400	black granite <input type="checkbox"/>		+\$0
5U	georgia grey marble <input type="checkbox"/>		+\$0
800	autumn brown granite <input type="checkbox"/>		+\$0
960	white carrara marble <input type="checkbox"/>		+\$0
HR	wisconsin black marble <input type="checkbox"/>		+\$0

Step 6. Metal Finish			
BNZ	bronze <input type="checkbox"/>		+\$0
CHR	chrome <input type="checkbox"/>		+\$0
SAC	satin chrome <input type="checkbox"/>		+\$0

HermanMiller Collection - Storage

Sled Base Credenza Two Units
Wide and Stone Top

JCS2S



HermanMiller Collection—Storage

Product Information

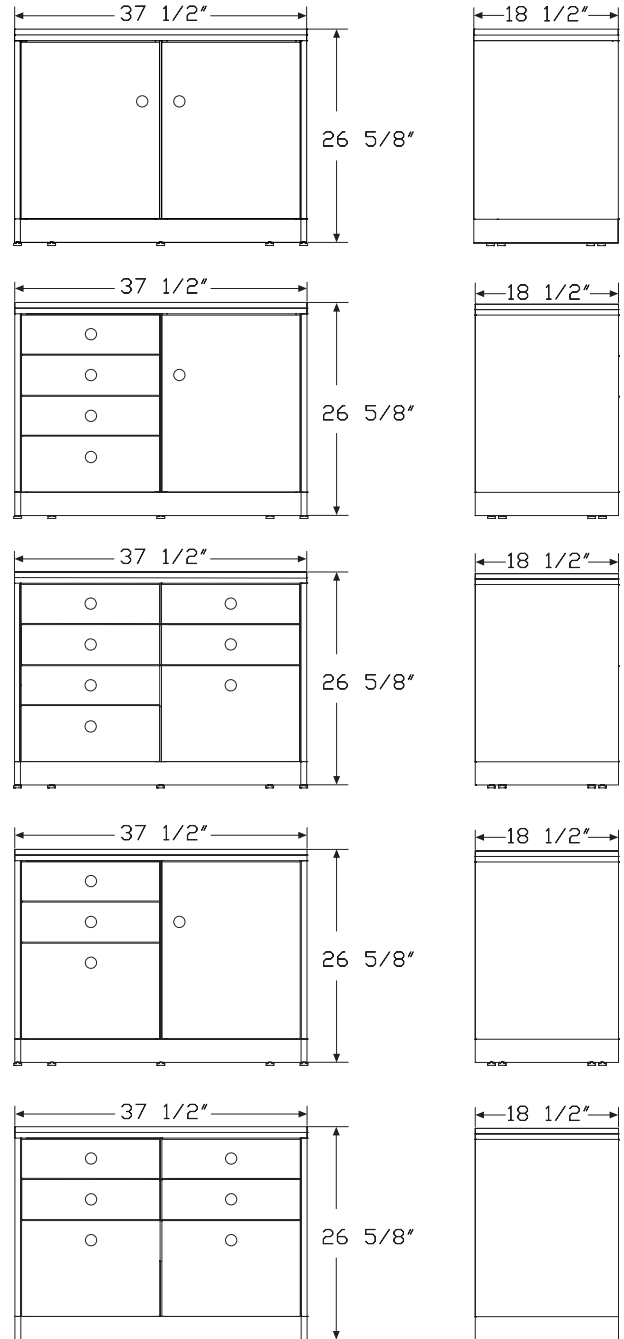
Description

This two-unit wide sled base credenza has a stone top and includes 3"-high metal base on the 3/4"-thick credenza gable. Storage unit is 18"-wide. Ward Bennett Flip pulls come in matching metal finish.

Notes

Sled base credenzas ship assembled.
 Drawer credenzas include wood boxes and self-closing hidden drawer slides. Pencil tray and felt lining in bottom of drawer also included.
 Santos palisander veneer is celebrated for its unique grain and color variations. Similar products ordered in multiples or dissimilar products ordered separately should be expected to have variation in both grain and color characteristics; no two products will look exactly alike.

Dimensions



Sled Base Credenza Two Units

Wide and Stone Top *continued*

Specification Information

Step 1.

JCS2S A

Step 2. Size

-1938 18¹/₂" deep x 37¹/₂" wide x 26⁵/₈" high A

Step 3. Configuration

-B2B2 two doors A

-B3B2 four drawers left, single door right A

-B3B4 four drawers left, BBF right A

-B4B2 BBF left, single door right A

-B4B4 BBF left, BBF right A

Prices for Steps 1-3.

	-B2B2	-B3B2	-B3B4	-B4B2	-B4B4
JCS2S -1938	\$7686	8773	9444	8357	9033

Step 4. Wood Finish

Premium Veneer - Low Sheen

	-B2B2	-B3B2	-B3B4	-B4B2	-B4B4
931 champagne anigre (natural) A	+\$3075	3510	3778	3343	3614
932 sundance anigre A	+\$3075	3510	3778	3343	3614
933 caramel anigre A	+\$3075	3510	3778	3343	3614
934 henna anigre A	+\$3075	3510	3778	3343	3614
941 natural beech A	+\$0	0	0	0	0
942 sundance cherry (natural) A	+\$0	0	0	0	0
943 caramel cherry A	+\$0	0	0	0	0
946 cocoa cherry A	+\$0	0	0	0	0
951 natural anigre A	+\$3075	3510	3778	3343	3614
956 cocoa sapele A	+\$0	0	0	0	0
962 toasted walnut, low sheen A	+\$0	0	0	0	0
963 charred walnut, low sheen A	+\$0	0	0	0	0
964 bronzed walnut, low sheen A	+\$0	0	0	0	0
965 smoked walnut, low sheen A	+\$0	0	0	0	0
966 coffee walnut, low sheen A	+\$0	0	0	0	0
967 smoked paldao, low sheen A	+\$1153	1316	1417	1254	1355

969 warm paldao, low sheen A	+\$1153	1316	1417	1254	1355
977 chocolate ash, low sheen A	+\$0	0	0	0	0
978 natural oak A	+\$0	0	0	0	0
981 champagne hickory (natural) A	+\$0	0	0	0	0
98R recograin rosewood A	+\$0	0	0	0	0
991 champagne ash A	+\$0	0	0	0	0
998 ebony ash A	+\$0	0	0	0	0
99A recograin frosty ash A	+\$0	0	0	0	0
99R recograin rosewood A	+\$0	0	0	0	0
99T recograin teak A	+\$0	0	0	0	0
9A1 white ash, quarter cut, low sheen A	+\$0	0	0	0	0
9K1 rift oak, rift cut, low sheen A	+\$0	0	0	0	0
9K6 burnt oak, rift cut, low sheen A	+\$0	0	0	0	0
ED aged cherry A	+\$0	0	0	0	0
EK medium red walnut A	+\$0	0	0	0	0
G2U light brown walnut, low sheen A	+\$0	0	0	0	0
G40 dark brown walnut, low sheen A	+\$0	0	0	0	0
UX walnut on cherry A	+\$0	0	0	0	0

Sled Base Credenza Two Units Wide and Stone Top *continued*

HermanMiller Collection—Storage

Premium Veneer - Matte		-B2B2	-B3B2	-B3B4	-B4B2	-B4B4
662	toasted walnut, matte sheen A	+\$0	0	0	0	0
663	charred walnut, matte sheen A	+\$0	0	0	0	0
664	bronzed walnut, matte sheen A	+\$0	0	0	0	0
665	smoked walnut, matte sheen A	+\$0	0	0	0	0
666	coffee walnut, matte sheen A	+\$0	0	0	0	0
667	smoked paldao, quarter cut, matte sheen A	+\$1153	1316	1417	1254	1355
669	warm paldao, quarter cut, matte sheen A	+\$1153	1316	1417	1254	1355
66A	recograin frosty ash A	+\$0	0	0	0	0
677	chocolate ash, matte sheen A	+\$0	0	0	0	0
678	natural oak A	+\$0	0	0	0	0
68R	recograin rosewood A	+\$0	0	0	0	0
69A	recograin frosty ash A	+\$0	0	0	0	0
69R	recograin rosewood A	+\$0	0	0	0	0
69T	recograin teak A	+\$0	0	0	0	0
6A1	white ash A	+\$0	0	0	0	0
6K1	rift oak A	+\$0	0	0	0	0
6K6	burnt oak A	+\$0	0	0	0	0
ET	clear on ash A	+\$0	0	0	0	0
EU	oak on ash A	+\$0	0	0	0	0
EV	walnut on ash A	+\$0	0	0	0	0
GOU	natural walnut, flat cut, matte sheen A	+\$0	0	0	0	0

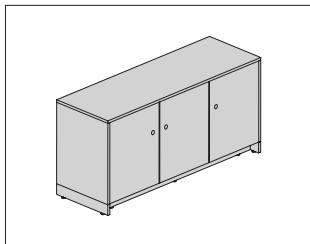
RecoGrain Veneer		-B2B2	-B3B2	-B3B4	-B4B2	-B4B4
66G	recograin wenge A	-\$385	-439	-473	-418	-452
68W	recograin walnut, flat cut, matte sheen A	-\$385	-439	-473	-418	-452
69G	recograin wenge A	-\$385	-439	-473	-418	-452
69K	recograin oak, quarter cut, matte sheen A	-\$385	-439	-473	-418	-452
69W	recograin walnut, quarter cut, matte sheen A	-\$385	-439	-473	-418	-452

Recon Veneer -		-B2B2	-B3B2	-B3B4	-B4B2	-B4B4
96G	wenge recograin, quarter cut, low sheen A	-\$385	-439	-473	-418	-452
98W	recograin walnut, flat cut, low sheen A	-\$385	-439	-473	-418	-452
99G	recograin wenge, quarter cut, low sheen A	-\$385	-439	-473	-418	-452
99K	recograin oak, quarter cut, low sheen A	-\$385	-439	-473	-418	-452
99W	recograin walnut, quarter cut, low sheen A	-\$385	-439	-473	-418	-452

Step 5. Stone or Marble Top		
200	perfato marble A	+\$0
250	verde antique marble A	+\$0
400	black granite A	+\$0
5U	georgia grey marble A	+\$0
800	autumn brown granite A	+\$0
960	white carrara marble A	+\$0
HR	wisconsin black marble A	+\$0

Step 6. Metal Finish		
BNZ	bronze A	+\$0
CHR	chrome A	+\$0
SAC	satin chrome A	+\$0

Sled Base Credenza Three Units Wide and Stone Top JCS3S



Product Information

Description

This three-unit wide sled base credenza has a stone top and includes 3"-high metal base on the 3/4"-thick credenza gable. Storage unit is 18"-wide. Ward Bennett Flip pulls come in matching metal finish.

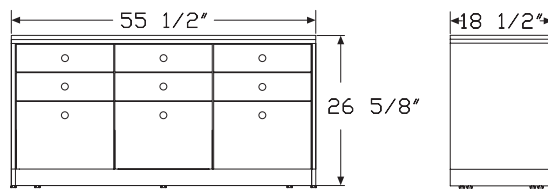
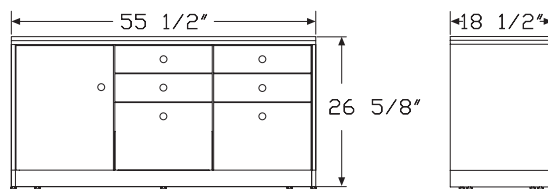
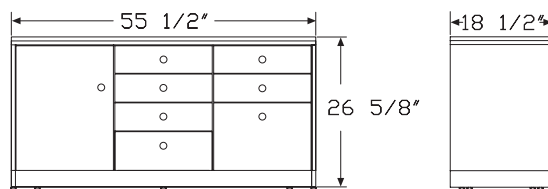
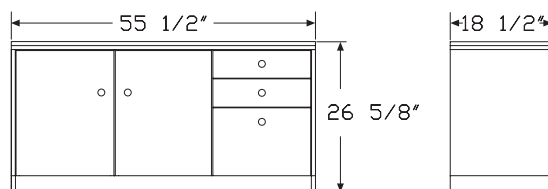
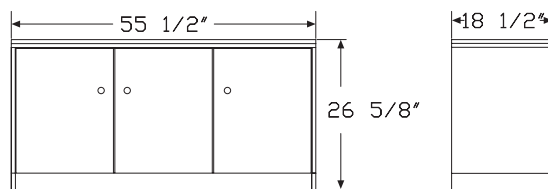
Notes

Sled base credenzas ship assembled.

Drawer credenzas include wood boxes and self-closing hidden drawer slides. Pencil tray and felt lining in bottom of drawer also included.

Santos palisander veneer is celebrated for its unique grain and color variations. Similar products ordered in multiples or dissimilar products ordered separately should be expected to have variation in both grain and color characteristics; no two products will look exactly alike.

Dimensions



Sled Base Credenza Three Units Wide and Stone Top *continued*

Specification Information						
Step 1.						
JCS3S A						
Step 2. Size						
-1956	18 ¹ / ₂ " deep x 55 ¹ / ₂ " wide x 26 ⁵ / ₈ " high A					
Step 3. Configuration						
-B2B2B2	three single doors A					
-B2B2B4	single door left, single door center, BBF right A					
-B2B3B4	single door left, 4 box center, BBF right A					
-B2B4B4	single door left, BBF center, BBF right A					
-B4B4B4	BBF left, BBF center, BBF right A					
Prices for Steps 1-3.						
	-B2B2B2	-B2B2B4	-B2B3B4	-B2B4B4	-B4B4B4	
JCS3S -1956	\$10369	11040	12127	11711	12382	
Step 4. Wood Finish						
Premium Veneer - Low Sheen						
	-B2B2B2	-B2B2B4	-B2B3B4	-B2B4B4	-B4B4B4	
931	champagne anigre (natural) A	+\$4148	4416	4851	4685	4953
932	sundance anigre A	+\$4148	4416	4851	4685	4953
933	caramel anigre A	+\$4148	4416	4851	4685	4953
934	henna anigre A	+\$4148	4416	4851	4685	4953
941	natural beech A	+\$0	0	0	0	0
942	sundance cherry (natural) A	+\$0	0	0	0	0
943	caramel cherry A	+\$0	0	0	0	0
946	cocoa cherry A	+\$0	0	0	0	0
951	natural anigre A	+\$4148	4416	4851	4685	4953
956	cocoa sapele A	+\$0	0	0	0	0
962	toasted walnut, low sheen A	+\$0	0	0	0	0
963	charred walnut, low sheen A	+\$0	0	0	0	0
964	bronzed walnut, low sheen A	+\$0	0	0	0	0
965	smoked walnut, low sheen A	+\$0	0	0	0	0
966	coffee walnut, low sheen A	+\$0	0	0	0	0
967	smoked paldao, low sheen A	+\$1556	1656	1820	1757	1858

969	warm paldao, low sheen A	+\$1556	1656	1820	1757	1858
977	chocolate ash, low sheen A	+\$0	0	0	0	0
978	natural oak A	+\$0	0	0	0	0
981	champagne hickory (natural) A	+\$0	0	0	0	0
98R	recograin rosewood A	+\$0	0	0	0	0
991	champagne ash A	+\$0	0	0	0	0
998	ebony ash A	+\$0	0	0	0	0
99A	recograin frosty ash A	+\$0	0	0	0	0
99R	recograin rosewood A	+\$0	0	0	0	0
99T	recograin teak A	+\$0	0	0	0	0
9A1	white ash, quarter cut, low sheen A	+\$0	0	0	0	0
9K1	rift oak, rift cut, low sheen A	+\$0	0	0	0	0
9K6	burnt oak, rift cut, low sheen A	+\$0	0	0	0	0
ED	aged cherry A	+\$0	0	0	0	0
EK	medium red walnut A	+\$0	0	0	0	0
G2U	light brown walnut, low sheen A	+\$0	0	0	0	0
G40	dark brown walnut, low sheen A	+\$0	0	0	0	0
UX	walnut on cherry A	+\$0	0	0	0	0

Sled Base Credenza Three Units Wide and Stone Top *continued*

Premium Veneer - Matte

		-B2B2B2	-B2B2B4	-B2B3B4	-B2B4B4	-B4B4B4
662	toasted walnut, matte sheen A	+\$0	0	0	0	0
663	charred walnut, matte sheen A	+\$0	0	0	0	0
664	bronzed walnut, matte sheen A	+\$0	0	0	0	0
665	smoked walnut, matte sheen A	+\$0	0	0	0	0
666	coffee walnut, matte sheen A	+\$0	0	0	0	0
667	smoked paldao, quarter cut, matte sheen A	+\$1556	1656	1820	1757	1858
669	warm paldao, quarter cut, matte sheen A	+\$1556	1656	1820	1757	1858
66A	recograin frosty ash A	+\$0	0	0	0	0
677	chocolate ash, matte sheen A	+\$0	0	0	0	0
678	natural oak A	+\$0	0	0	0	0
68R	recograin rosewood A	+\$0	0	0	0	0
69A	recograin frosty ash A	+\$0	0	0	0	0
69R	recograin rosewood A	+\$0	0	0	0	0
69T	recograin teak A	+\$0	0	0	0	0
6A1	white ash A	+\$0	0	0	0	0
6K1	rift oak A	+\$0	0	0	0	0
6K6	burnt oak A	+\$0	0	0	0	0
ET	clear on ash A	+\$0	0	0	0	0
EU	oak on ash A	+\$0	0	0	0	0
EV	walnut on ash A	+\$0	0	0	0	0
GOU	natural walnut, flat cut, matte sheen A	+\$0	0	0	0	0

RecoGrain Veneer

		-B2B2B2	-B2B2B4	-B2B3B4	-B2B4B4	-B4B4B4
66G	recograin wenge A	-\$519	-552	-607	-586	-620
68W	recograin walnut, flat cut, matte sheen A	-\$519	-552	-607	-586	-620
69G	recograin wenge A	-\$519	-552	-607	-586	-620
69K	recograin oak, quarter cut, matte sheen A	-\$519	-552	-607	-586	-620
69W	recograin walnut, quarter cut, matte sheen A	-\$519	-552	-607	-586	-620

Recon Veneer -

		-B2B2B2	-B2B2B4	-B2B3B4	-B2B4B4	-B4B4B4
96G	wenge recograin, quarter cut, low sheen A	-\$519	-552	-607	-586	-620
98W	recograin walnut, flat cut, low sheen A	-\$519	-552	-607	-586	-620
99G	recograin wenge, quarter cut, low sheen A	-\$519	-552	-607	-586	-620
99K	recograin oak, quarter cut, low sheen A	-\$519	-552	-607	-586	-620
99W	recograin walnut, quarter cut, low sheen A	-\$519	-552	-607	-586	-620

Step 5. Stone or Marble Top

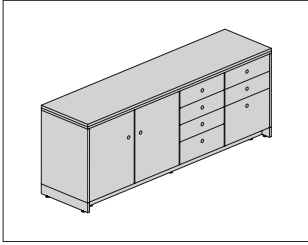
200	perfato marble A	+\$0
250	verde antique marble A	+\$0
400	black granite A	+\$0
5U	georgia grey marble A	+\$0
800	autumn brown granite A	+\$0
960	white carrara marble A	+\$0
HR	wisconsin black marble A	+\$0

Step 6. Metal Finish

BNZ	bronze A	+\$0
CHR	chrome A	+\$0
SAC	satin chrome A	+\$0

Sled Base Credenza Four Units
Wide and Stone Top

JCS4S



HermanMiller Collection—Storage

Product Information

Description

This four-unit wide sled base credenza has a stone top and includes 3"-high metal base on the 3/4"-thick credenza gable. Storage unit is 18"-wide. Ward Bennett Flip pulls come in matching metal finish.

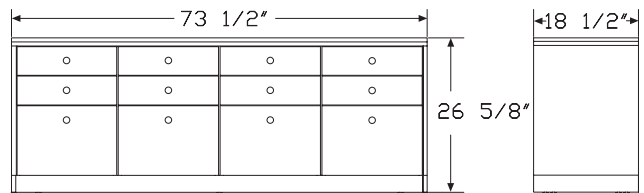
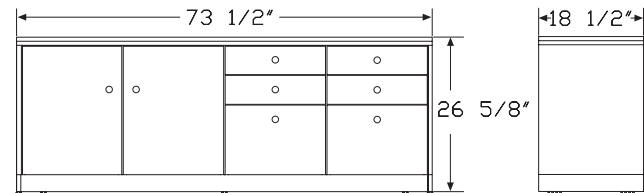
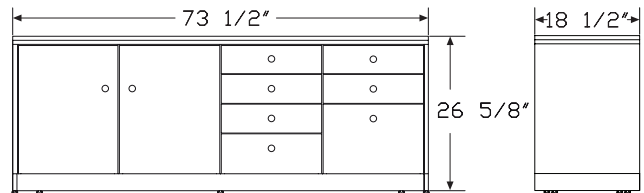
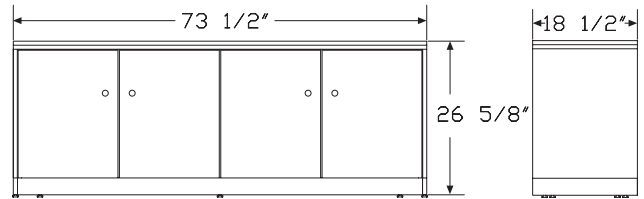
Notes

Sled base credenzas ship assembled.

Drawer credenzas include wood boxes and self-closing hidden drawer slides. Pencil tray and felt lining in bottom of drawer also included.

Santos palisander veneer is celebrated for its unique grain and color variations. Similar products ordered in multiples or dissimilar products ordered separately should be expected to have variation in both grain and color characteristics; no two products will look exactly alike.

Dimensions



Sled Base Credenza Four Units

Wide and Stone Top *continued*

Specification Information

Step 1.

JCS4S

Step 2. Size

-1974 18¹/₂" deep x 73¹/₂" wide x 26⁵/₈" high

Step 3. Configuration

-B2B2B2B2 four single doors

-B2B2B3B4 single door left, single door left center, four drawers right center, BBF right

-B2B2B4B4 single door left, single door left center, BBF right center, BBF right

-B4B4B4B4 four BBF

Prices for Steps 1-3.

-B2B2B2B2 -B2B2B3B4 -B2B2B4B4 -B4B4B4B4

JCS4S -1974 \$13567 15320 14904 16245

Step 4. Wood Finish

Premium Veneer - Low Sheen

-B2B2B2B2 -B2B2B3B4 -B2B2B4B4 -B4B4B4B4

931	champagne anigre (natural) <input type="checkbox"/>	+\$5427	6128	5962	6498
932	sundance anigre <input type="checkbox"/>	+\$5427	6128	5962	6498
933	caramel anigre <input type="checkbox"/>	+\$5427	6128	5962	6498
934	henna anigre <input type="checkbox"/>	+\$5427	6128	5962	6498
941	natural beech <input type="checkbox"/>	+\$0	0	0	0
942	sundance cherry (natural) <input type="checkbox"/>	+\$0	0	0	0
943	caramel cherry <input type="checkbox"/>	+\$0	0	0	0
946	cocoa cherry <input type="checkbox"/>	+\$0	0	0	0
951	natural anigre <input type="checkbox"/>	+\$5427	6128	5962	6498
956	cocoa sapele <input type="checkbox"/>	+\$0	0	0	0
962	toasted walnut, low sheen <input type="checkbox"/>	+\$0	0	0	0
963	charred walnut, low sheen <input type="checkbox"/>	+\$0	0	0	0
964	bronzed walnut, low sheen <input type="checkbox"/>	+\$0	0	0	0
965	smoked walnut, low sheen <input type="checkbox"/>	+\$0	0	0	0
966	coffee walnut, low sheen <input type="checkbox"/>	+\$0	0	0	0
967	smoked paldao, low sheen <input type="checkbox"/>	+\$2036	2298	2236	2437
969	warm paldao, low sheen <input type="checkbox"/>	+\$2036	2298	2236	2437

977	chocolate ash, low sheen <input type="checkbox"/>	+\$0	0	0	0
978	natural oak <input type="checkbox"/>	+\$0	0	0	0
981	champagne hickory (natural) <input type="checkbox"/>	+\$0	0	0	0
98R	recograin rosewood <input type="checkbox"/>	+\$0	0	0	0
991	champagne ash <input type="checkbox"/>	+\$0	0	0	0
998	ebony ash <input type="checkbox"/>	+\$0	0	0	0
99A	recograin frosty ash <input type="checkbox"/>	+\$0	0	0	0
99R	recograin rosewood <input type="checkbox"/>	+\$0	0	0	0
99T	recograin teak <input type="checkbox"/>	+\$0	0	0	0
9A1	white ash, quarter cut, low sheen <input type="checkbox"/>	+\$0	0	0	0
9K1	rift oak, rift cut, low sheen <input type="checkbox"/>	+\$0	0	0	0
9K6	burnt oak, rift cut, low sheen <input type="checkbox"/>	+\$0	0	0	0
ED	aged cherry <input type="checkbox"/>	+\$0	0	0	0
EK	medium red walnut <input type="checkbox"/>	+\$0	0	0	0
G2U	light brown walnut, low sheen <input type="checkbox"/>	+\$0	0	0	0
G40	dark brown walnut, low sheen <input type="checkbox"/>	+\$0	0	0	0
UX	walnut on cherry <input type="checkbox"/>	+\$0	0	0	0

Sled Base Credenza Four Units

Wide and Stone Top *continued*

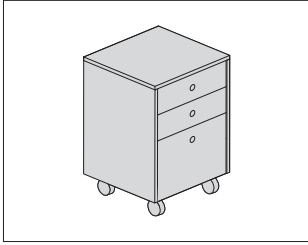
Premium Veneer - Matte		-B2B2B2B2	-B2B2B3B4	-B2B2B4B4	-B4B4B4B4
662	toasted walnut, matte sheen A	+\$0	0	0	0
663	charred walnut, matte sheen A	+\$0	0	0	0
664	bronzed walnut, matte sheen A	+\$0	0	0	0
665	smoked walnut, matte sheen A	+\$0	0	0	0
666	coffee walnut, matte sheen A	+\$0	0	0	0
667	smoked paldao, quarter cut, matte sheen A	+\$2036	2298	2236	2437
669	warm paldao, quarter cut, matte sheen A	+\$2036	2298	2236	2437
66A	recograin frosty ash A	+\$0	0	0	0
677	chocolate ash, matte sheen A	+\$0	0	0	0
678	natural oak A	+\$0	0	0	0
68R	recograin rosewood A	+\$0	0	0	0
69A	recograin frosty ash A	+\$0	0	0	0
69R	recograin rosewood A	+\$0	0	0	0
69T	recograin teak A	+\$0	0	0	0
6A1	white ash A	+\$0	0	0	0
6K1	rift oak A	+\$0	0	0	0
6K6	burnt oak A	+\$0	0	0	0
ET	clear on ash A	+\$0	0	0	0
EU	oak on ash A	+\$0	0	0	0
EV	walnut on ash A	+\$0	0	0	0
GOU	natural walnut, flat cut, matte sheen A	+\$0	0	0	0

RecoGrain Veneer		-B2B2B2B2	-B2B2B3B4	-B2B2B4B4	-B4B4B4B4
66G	recograin wenge A	-\$679	-766	-746	-813
68W	recograin walnut, flat cut, matte sheen A	-\$679	-766	-746	-813
69G	recograin wenge A	-\$679	-766	-746	-813
69K	recograin oak, quarter cut, matte sheen A	-\$679	-766	-746	-813
69W	recograin walnut, quarter cut, matte sheen A	-\$679	-766	-746	-813

Recon Veneer -		-B2B2B2B2	-B2B2B3B4	-B2B2B4B4	-B4B4B4B4
96G	wenge recograin, quarter cut, low sheen A	-\$679	-766	-746	-813
98W	recograin walnut, flat cut, low sheen A	-\$679	-766	-746	-813
99G	recograin wenge, quarter cut, low sheen A	-\$679	-766	-746	-813
99K	recograin oak, quarter cut, low sheen A	-\$679	-766	-746	-813
99W	recograin walnut, quarter cut, low sheen A	-\$679	-766	-746	-813

Step 5. Stone or Marble Top		
200	perfato marble A	+\$0
250	verde antique marble A	+\$0
400	black granite A	+\$0
5U	georgia grey marble A	+\$0
800	autumn brown granite A	+\$0
960	white carrara marble A	+\$0
HR	wisconsin black marble A	+\$0

Step 6. Metal Finish		
BNZ	bronze A	+\$0
CHR	chrome A	+\$0
SAC	satin chrome A	+\$0



Product Information

Description

This one-unit wide mobile pedestal has a wood top with metal frame. The casters are black with a silver yoke and no brake. Drawers include wood boxes and self-closing hidden drawer slides. Ward Bennett Flip Pull comes in matching metal finish.

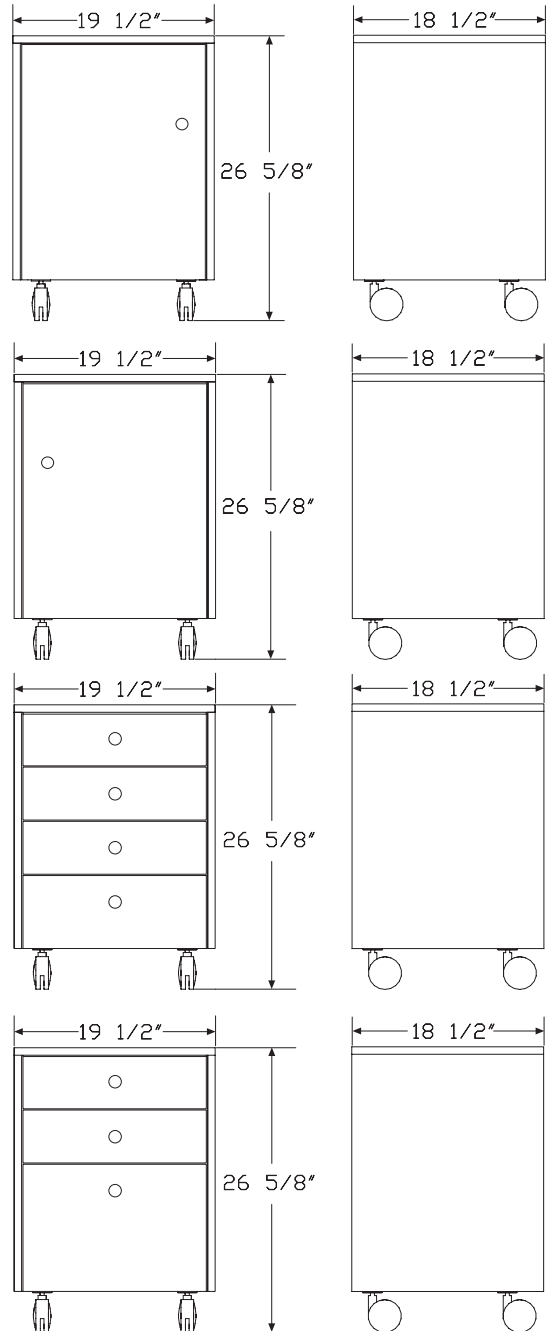
Notes

Mobile credenzas ship assembled.

B3 and B4 box drawers include pencil tray and felt lining in bottom of top drawer.

Santos palisander veneer is celebrated for its unique grain and color variations. Similar products ordered in multiples or dissimilar products ordered separately should be expected to have variation in both grain and color characteristics; no two products will look exactly alike.

Dimensions



Sled Base Mobile Pedestal *continued*

Specification Information					
Step 1.					
JMS1 <input type="checkbox"/>					
Step 2. Size					
-1920	18 ¹ / ₂ " deep x 19 ¹ / ₂ " wide x 26 ⁵ / ₈ " high <input type="checkbox"/>				
Step 3. Configuration					
-B2L	single door, hinged left <input type="checkbox"/>				
-B2R	single door, hinged right <input type="checkbox"/>				
-B3	four box drawer <input type="checkbox"/>				
-B4	box, box, file <input type="checkbox"/>				
Prices for Steps 1-3.					
JMS1-1920	-B2L	\$3219			
	-B2R	\$3219			
	-B3	\$4306			
	-B4	\$3890			
Step 4. Wood Finish					
Premium Veneer - Low Sheen					
		-B2L	-B2R	-B3	-B4
931	champagne anigre (natural) <input type="checkbox"/>	+\$1288	1288	1723	1556
932	sundance anigre <input type="checkbox"/>	+\$1288	1288	1723	1556
933	caramel anigre <input type="checkbox"/>	+\$1288	1288	1723	1556
934	henna anigre <input type="checkbox"/>	+\$1288	1288	1723	1556
941	natural beech <input type="checkbox"/>	+\$0	0	0	0
942	sundance cherry (natural) <input type="checkbox"/>	+\$0	0	0	0
943	caramel cherry <input type="checkbox"/>	+\$0	0	0	0
946	cocoa cherry <input type="checkbox"/>	+\$0	0	0	0
951	natural anigre <input type="checkbox"/>	+\$1288	1288	1723	1556
956	cocoa sapele <input type="checkbox"/>	+\$0	0	0	0
962	toasted walnut, low sheen <input type="checkbox"/>	+\$0	0	0	0
963	charred walnut, low sheen <input type="checkbox"/>	+\$0	0	0	0
964	bronzed walnut, low sheen <input type="checkbox"/>	+\$0	0	0	0
965	smoked walnut, low sheen <input type="checkbox"/>	+\$0	0	0	0
966	coffee walnut, low sheen <input type="checkbox"/>	+\$0	0	0	0
967	smoked paldao, low sheen <input type="checkbox"/>	+\$483	483	646	584
969	warm paldao, low sheen <input type="checkbox"/>	+\$483	483	646	584

977	chocolate ash, low sheen <input type="checkbox"/>	+\$0	0	0	0
978	natural oak <input type="checkbox"/>	+\$0	0	0	0
981	champagne hickory (natural) <input type="checkbox"/>	+\$0	0	0	0
98R	recograin rosewood <input type="checkbox"/>	+\$0	0	0	0
991	champagne ash <input type="checkbox"/>	+\$0	0	0	0
998	ebony ash <input type="checkbox"/>	+\$0	0	0	0
99A	recograin frosty ash <input type="checkbox"/>	+\$0	0	0	0
99R	recograin rosewood <input type="checkbox"/>	+\$0	0	0	0
99T	recograin teak <input type="checkbox"/>	+\$0	0	0	0
9A1	white ash, quarter cut, low sheen <input type="checkbox"/>	+\$0	0	0	0
9K1	rift oak, rift cut, low sheen <input type="checkbox"/>	+\$0	0	0	0
9K6	burnt oak, rift cut, low sheen <input type="checkbox"/>	+\$0	0	0	0
ED	aged cherry <input type="checkbox"/>	+\$0	0	0	0
EK	medium red walnut <input type="checkbox"/>	+\$0	0	0	0
G2U	light brown walnut, low sheen <input type="checkbox"/>	+\$0	0	0	0
G40	dark brown walnut, low sheen <input type="checkbox"/>	+\$0	0	0	0
UX	walnut on cherry <input type="checkbox"/>	+\$0	0	0	0

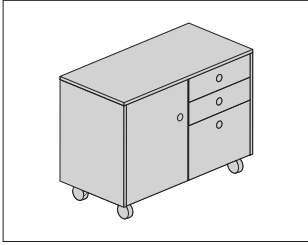
Sled Base Mobile Pedestal *continued*

Premium Veneer - Matte		-B2L	-B2R	-B3	-B4
662	toasted walnut, matte sheen A	+\$0	0	0	0
663	charred walnut, matte sheen A	+\$0	0	0	0
664	bronzed walnut, matte sheen A	+\$0	0	0	0
665	smoked walnut, matte sheen A	+\$0	0	0	0
666	coffee walnut, matte sheen A	+\$0	0	0	0
667	smoked paldao, quarter cut, matte sheen A	+\$483	483	646	584
669	warm paldao, quarter cut, matte sheen A	+\$483	483	646	584
66A	recograin frosty ash A	+\$0	0	0	0
677	chocolate ash, matte sheen A	+\$0	0	0	0
678	natural oak A	+\$0	0	0	0
68R	recograin rosewood A	+\$0	0	0	0
69A	recograin frosty ash A	+\$0	0	0	0
69R	recograin rosewood A	+\$0	0	0	0
69T	recograin teak A	+\$0	0	0	0
6A1	white ash A	+\$0	0	0	0
6K1	rift oak A	+\$0	0	0	0
6K6	burnt oak A	+\$0	0	0	0
ET	clear on ash A	+\$0	0	0	0
EU	oak on ash A	+\$0	0	0	0
EV	walnut on ash A	+\$0	0	0	0
GOU	natural walnut, flat cut, matte sheen A	+\$0	0	0	0

RecoGrain Veneer		-B2L	-B2R	-B3	-B4
66G	recograin wenge A	-\$161	-161	-216	-195
68W	recograin walnut, flat cut, matte sheen A	-\$161	-161	-216	-195
69G	recograin wenge A	-\$161	-161	-216	-195
69K	recograin oak, quarter cut, matte sheen A	-\$161	-161	-216	-195
69W	recograin walnut, quarter cut, matte sheen A	-\$161	-161	-216	-195

Recon Veneer -		-B2L	-B2R	-B3	-B4
96G	wenge recograin, quarter cut, low sheen A	-\$161	-161	-216	-195
98W	recograin walnut, flat cut, low sheen A	-\$161	-161	-216	-195
99G	recograin wenge, quarter cut, low sheen A	-\$161	-161	-216	-195
99K	recograin oak, quarter cut, low sheen A	-\$161	-161	-216	-195
99W	recograin walnut, quarter cut, low sheen A	-\$161	-161	-216	-195

Step 5. Metal Finish					
BNZ	bronze A				+\$0
CHR	chrome A				+\$0
SAC	satin chrome A				+\$0



Product Information

Description

This two-unit wide mobile pedestal has a wood top with metal frame. The casters are black with a silver yoke and no brake. Drawers include wood boxes and self-closing hidden drawer slides. Ward Bennett Flip pulls come in matching metal finish.

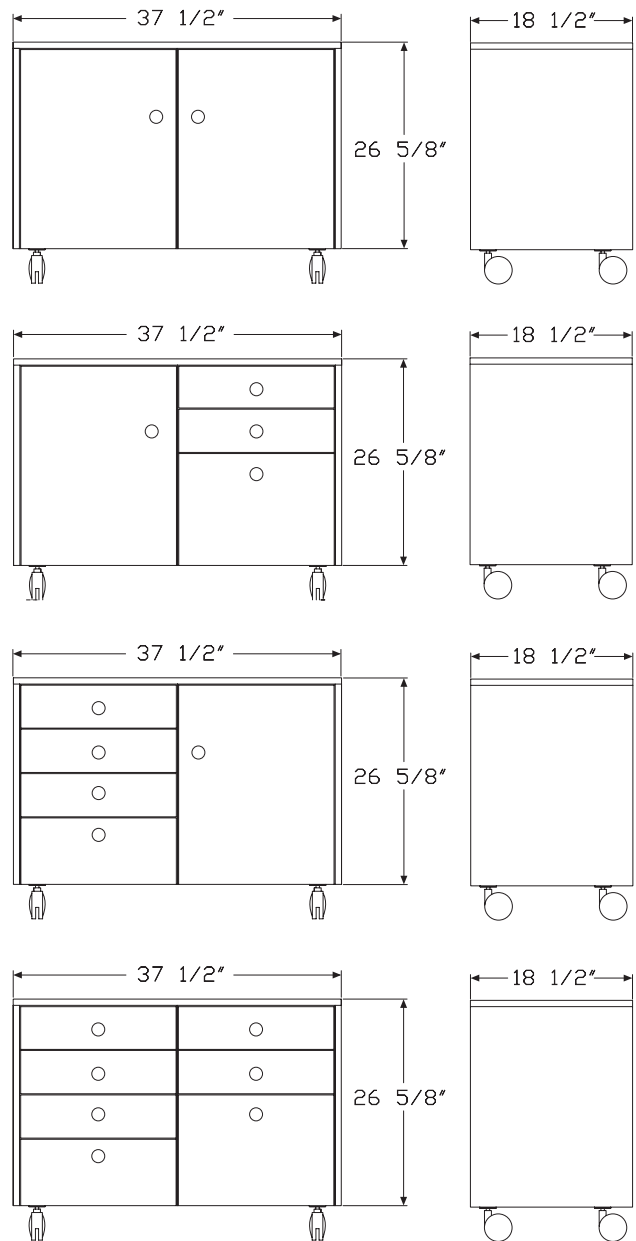
Notes

Mobile credenzas ship assembled.

B3 and B4 box drawers include pencil tray and felt lining in bottom of top drawer.

Santos palisander veneer is celebrated for its unique grain and color variations. Similar products ordered in multiples or dissimilar products ordered separately should be expected to have variation in both grain and color characteristics; no two products will look exactly alike.

Dimensions



Sled Base Mobile Credenza *continued*

Specification Information

Step 1.

JMS2

Step 2. Size

-1938 18¹/₂" deep x 37¹/₂" wide x 26⁵/₈" high

Step 3. Configuration

-B2B2 two doors

-B2B4 single door left, BBF right

-B3B2 four drawers left, single door right

-B3B4 four drawers left, BBF right

Prices for Steps 1-3.

JMS2-1938 -B2B2	\$5393
-B2B4	\$6064
-B3B2	\$6480
-B3B4	\$7150

Step 4. Wood Finish

Premium Veneer - Low Sheen

	-B2B2	-B2B4	-B3B2	-B3B4
931 champagne anigre (natural) <input type="checkbox"/>	+\$2158	2426	2592	2860
932 sundance anigre <input type="checkbox"/>	+\$2158	2426	2592	2860
933 caramel anigre <input type="checkbox"/>	+\$2158	2426	2592	2860
934 henna anigre <input type="checkbox"/>	+\$2158	2426	2592	2860
941 natural beech <input type="checkbox"/>	+\$0	0	0	0
942 sundance cherry (natural) <input type="checkbox"/>	+\$0	0	0	0
943 caramel cherry <input type="checkbox"/>	+\$0	0	0	0
946 cocoa cherry <input type="checkbox"/>	+\$0	0	0	0
951 natural anigre <input type="checkbox"/>	+\$2158	2426	2592	2860
956 cocoa sapele <input type="checkbox"/>	+\$0	0	0	0
962 toasted walnut, low sheen <input type="checkbox"/>	+\$0	0	0	0
963 charred walnut, low sheen <input type="checkbox"/>	+\$0	0	0	0
964 bronzed walnut, low sheen <input type="checkbox"/>	+\$0	0	0	0
965 smoked walnut, low sheen <input type="checkbox"/>	+\$0	0	0	0
966 coffee walnut, low sheen <input type="checkbox"/>	+\$0	0	0	0
967 smoked paldao, low sheen <input type="checkbox"/>	+\$809	910	972	1073
969 warm paldao, low sheen <input type="checkbox"/>	+\$809	910	972	1073

977 chocolate ash, low sheen <input type="checkbox"/>	+\$0	0	0	0
978 natural oak <input type="checkbox"/>	+\$0	0	0	0
981 champagne hickory (natural) <input type="checkbox"/>	+\$0	0	0	0
98R recograin rosewood <input type="checkbox"/>	+\$0	0	0	0
991 champagne ash <input type="checkbox"/>	+\$0	0	0	0
998 ebony ash <input type="checkbox"/>	+\$0	0	0	0
99A recograin frosty ash <input type="checkbox"/>	+\$0	0	0	0
99R recograin rosewood <input type="checkbox"/>	+\$0	0	0	0
99T recograin teak <input type="checkbox"/>	+\$0	0	0	0
9A1 white ash, quarter cut, low sheen <input type="checkbox"/>	+\$0	0	0	0
9K1 rift oak, rift cut, low sheen <input type="checkbox"/>	+\$0	0	0	0
9K6 burnt oak, rift cut, low sheen <input type="checkbox"/>	+\$0	0	0	0
ED aged cherry <input type="checkbox"/>	+\$0	0	0	0
EK medium red walnut <input type="checkbox"/>	+\$0	0	0	0
G2U light brown walnut, low sheen <input type="checkbox"/>	+\$0	0	0	0
G40 dark brown walnut, low sheen <input type="checkbox"/>	+\$0	0	0	0
UX walnut on cherry <input type="checkbox"/>	+\$0	0	0	0

Sled Base Mobile Credenza *continued*

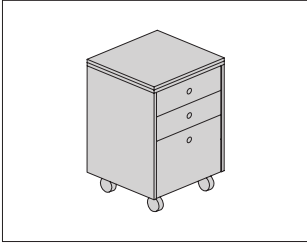
Premium Veneer - Matte		-B2B2	-B2B4	-B3B2	-B3B4
662	toasted walnut, matte sheen A	+\$0	0	0	0
663	charred walnut, matte sheen A	+\$0	0	0	0
664	bronzed walnut, matte sheen A	+\$0	0	0	0
665	smoked walnut, matte sheen A	+\$0	0	0	0
666	coffee walnut, matte sheen A	+\$0	0	0	0
667	smoked paldao, quarter cut, matte sheen A	+\$809	910	972	1073
669	warm paldao, quarter cut, matte sheen A	+\$809	910	972	1073
66A	recograin frosty ash A	+\$0	0	0	0
677	chocolate ash, matte sheen A	+\$0	0	0	0
678	natural oak A	+\$0	0	0	0
68R	recograin rosewood A	+\$0	0	0	0
69A	recograin frosty ash A	+\$0	0	0	0
69R	recograin rosewood A	+\$0	0	0	0
69T	recograin teak A	+\$0	0	0	0
6A1	white ash A	+\$0	0	0	0
6K1	rift oak A	+\$0	0	0	0
6K6	burnt oak A	+\$0	0	0	0
ET	clear on ash A	+\$0	0	0	0
EU	oak on ash A	+\$0	0	0	0
EV	walnut on ash A	+\$0	0	0	0
GOU	natural walnut, flat cut, matte sheen A	+\$0	0	0	0

RecoGrain Veneer		-B2B2	-B2B4	-B3B2	-B3B4
66G	recograin wenge A	-\$270	-304	-324	-358
68W	recograin walnut, flat cut, matte sheen A	-\$270	-304	-324	-358
69G	recograin wenge A	-\$270	-304	-324	-358
69K	recograin oak, quarter cut, matte sheen A	-\$270	-304	-324	-358
69W	recograin walnut, quarter cut, matte sheen A	-\$270	-304	-324	-358

Recon Veneer -		-B2B2	-B2B4	-B3B2	-B3B4
96G	wenge recograin, quarter cut, low sheen A	-\$270	-304	-324	-358
98W	recograin walnut, flat cut, low sheen A	-\$270	-304	-324	-358
99G	recograin wenge, quarter cut, low sheen A	-\$270	-304	-324	-358
99K	recograin oak, quarter cut, low sheen A	-\$270	-304	-324	-358
99W	recograin walnut, quarter cut, low sheen A	-\$270	-304	-324	-358

Step 5. Metal Finish			
BNZ	bronze A		+\$0
CHR	chrome A		+\$0
SAC	satin chrome A		+\$0

Sled Base Mobile Pedestal Stone Top JMS1S
Top



Product Information

Description

This one-unit wide mobile pedestal has a stone top with metal frame. Drawers include wood boxes and self-closing hidden drawer slides. The casters are black with a silver yoke and no brake. Ward Bennett Flip pull comes in matching metal finish.

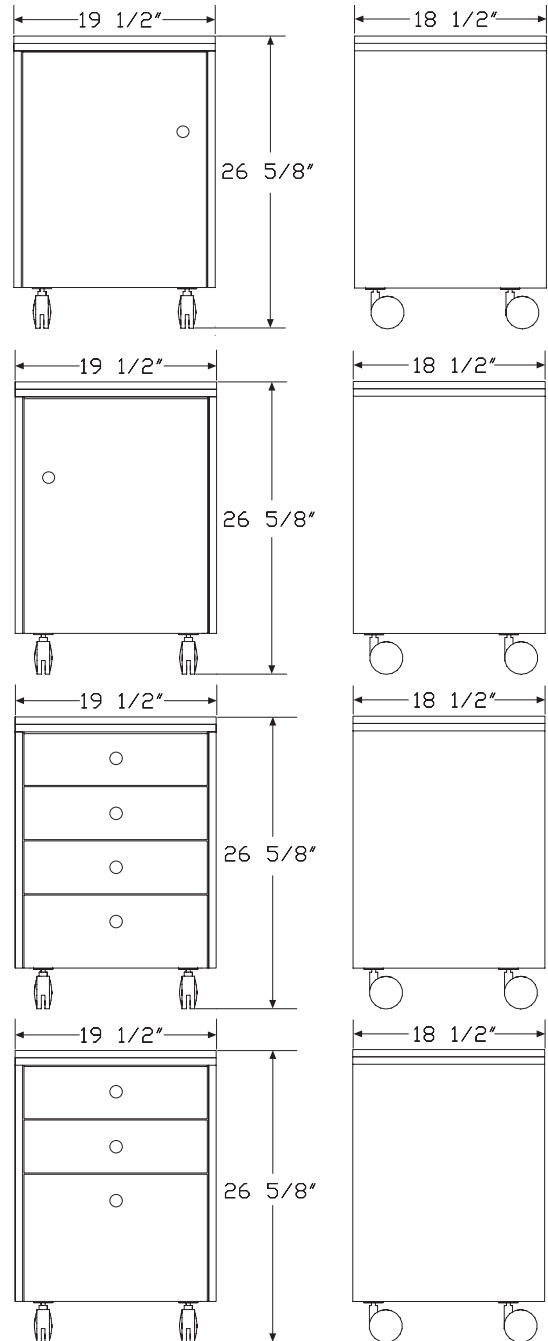
Notes

Mobile credenzas ship assembled.

B3 and B4 box drawers include pencil tray and felt lining in bottom of top drawer.

Santos palisander veneer is celebrated for its unique grain and color variations. Similar products ordered in multiples or dissimilar products ordered separately should be expected to have variation in both grain and color characteristics; no two products will look exactly alike.

Dimensions



Sled Base Mobile Pedestal Stone

Top *continued*

Specification Information

Step 1.

JMS1S A

Step 2. Size

-1920 18¹/₂" deep x 19¹/₂" wide x 26⁵/₈" high A

Step 3. Configuration

-B2L single door, hinged left A

-B2R single door, hinged right A

-B3 four box drawer A

-B4 box, box, file A

Prices for Steps 1-3.

	-B2L	-B2R	-B3	-B4
JMS1S -1920	\$4270	4270	5351	4940

Step 4. Wood Finish

Premium Veneer - Low Sheen

	-B2L	-B2R	-B3	-B4
931 champagne anigre (natural) A	+\$1708	1708	2141	1976
932 sundance anigre A	+\$1708	1708	2141	1976
933 caramel anigre A	+\$1708	1708	2141	1976
934 henna anigre A	+\$1708	1708	2141	1976
941 natural beech A	+\$0	0	0	0
942 sundance cherry (natural) A	+\$0	0	0	0
943 caramel cherry A	+\$0	0	0	0
946 cocoa cherry A	+\$0	0	0	0
951 natural anigre A	+\$1708	1708	2141	1976
956 cocoa sapele A	+\$0	0	0	0
962 toasted walnut, low sheen A	+\$0	0	0	0
963 charred walnut, low sheen A	+\$0	0	0	0
964 bronzed walnut, low sheen A	+\$0	0	0	0
965 smoked walnut, low sheen A	+\$0	0	0	0
966 coffee walnut, low sheen A	+\$0	0	0	0
967 smoked paldao, low sheen A	+\$641	641	803	741
969 warm paldao, low sheen A	+\$641	641	803	741
977 chocolate ash, low sheen A	+\$0	0	0	0
978 natural oak A	+\$0	0	0	0

981 champagne hickory (natural) A	+\$0	0	0	0
98R recograin rosewood A	+\$0	0	0	0
991 champagne ash A	+\$0	0	0	0
998 ebony ash A	+\$0	0	0	0
99A recograin frosty ash A	+\$0	0	0	0
99R recograin rosewood A	+\$0	0	0	0
99T recograin teak A	+\$0	0	0	0
9A1 white ash, quarter cut, low sheen A	+\$0	0	0	0
9K1 rift oak, rift cut, low sheen A	+\$0	0	0	0
9K6 burnt oak, rift cut, low sheen A	+\$0	0	0	0
ED aged cherry A	+\$0	0	0	0
EK medium red walnut A	+\$0	0	0	0
G2U light brown walnut, low sheen A	+\$0	0	0	0
G40 dark brown walnut, low sheen A	+\$0	0	0	0
UX walnut on cherry A	+\$0	0	0	0

Sled Base Mobile Pedestal Stone

Top *continued*

Premium Veneer - Matte		-B2L	-B2R	-B3	-B4
662	toasted walnut, matte sheen A	+\$0	0	0	0
663	charred walnut, matte sheen A	+\$0	0	0	0
664	bronzed walnut, matte sheen A	+\$0	0	0	0
665	smoked walnut, matte sheen A	+\$0	0	0	0
666	coffee walnut, matte sheen A	+\$0	0	0	0
667	smoked paldao, quarter cut, matte sheen A	+\$641	641	803	741
669	warm paldao, quarter cut, matte sheen A	+\$641	641	803	741
66A	recograin frosty ash A	+\$0	0	0	0
677	chocolate ash, matte sheen A	+\$0	0	0	0
678	natural oak A	+\$0	0	0	0
68R	recograin rosewood A	+\$0	0	0	0
69A	recograin frosty ash A	+\$0	0	0	0
69R	recograin rosewood A	+\$0	0	0	0
69T	recograin teak A	+\$0	0	0	0
6A1	white ash A	+\$0	0	0	0
6K1	rift oak A	+\$0	0	0	0
6K6	burnt oak A	+\$0	0	0	0
ET	clear on ash A	+\$0	0	0	0
EU	oak on ash A	+\$0	0	0	0
EV	walnut on ash A	+\$0	0	0	0
GOU	natural walnut, flat cut, matte sheen A	+\$0	0	0	0

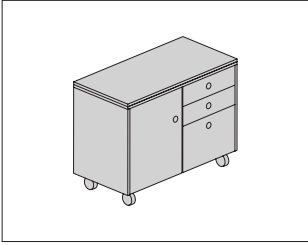
RecoGrain Veneer		-B2L	-B2R	-B3	-B4
66G	recograin wenge A	-\$214	-214	-268	-247
68W	recograin walnut, flat cut, matte sheen A	-\$214	-214	-268	-247
69G	recograin wenge A	-\$214	-214	-268	-247
69K	recograin oak, quarter cut, matte sheen A	-\$214	-214	-268	-247
69W	recograin walnut, quarter cut, matte sheen A	-\$214	-214	-268	-247

Recon Veneer -		-B2L	-B2R	-B3	-B4
96G	wenge recograin, quarter cut, low sheen A	-\$214	-214	-268	-247
98W	recograin walnut, flat cut, low sheen A	-\$214	-214	-268	-247
99G	recograin wenge, quarter cut, low sheen A	-\$214	-214	-268	-247
99K	recograin oak, quarter cut, low sheen A	-\$214	-214	-268	-247
99W	recograin walnut, quarter cut, low sheen A	-\$214	-214	-268	-247

Step 5. Stone or Marble Top			
200	perfato marble A		+\$0
250	verde antique marble A		+\$0
400	black granite A		+\$0
5U	georgia grey marble A		+\$0
800	autumn brown granite A		+\$0
960	white carrara marble A		+\$0
HR	wisconsin black marble A		+\$0

Step 6. Metal Finish			
BNZ	bronze A		+\$0
CHR	chrome A		+\$0
SAC	satin chrome A		+\$0

Sled Base Mobile Credenza Stone Top JMS2S
Top



HermanMiller Collection—Storage

Product Information

Description

This two-unit wide mobile pedestal has a stone top with metal frame. The casters are black with a silver yoke and no brake. Drawers include wood boxes and self-closing hidden drawer slides. Ward Bennett Flip pulls come in matching metal finish.

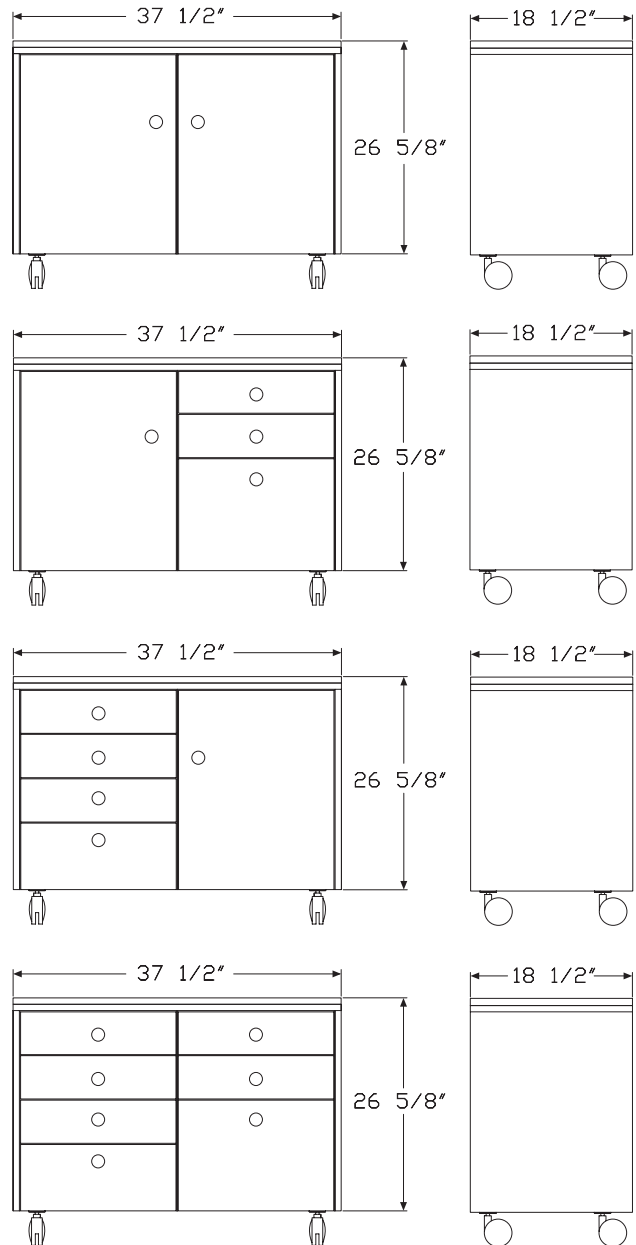
Notes

Mobile credenzas ship assembled.

B3 and B4 box drawers include pencil tray and felt lining in bottom of top drawer.

Santos palisander veneer is celebrated for its unique grain and color variations. Similar products ordered in multiples or dissimilar products ordered separately should be expected to have variation in both grain and color characteristics; no two products will look exactly alike.

Dimensions



Sled Base Mobile Credenza Stone Top *continued*

Specification Information

Step 1.

JMS2S A

Step 2. Size

-1938 18¹/₂" deep x 37¹/₂" wide x 26⁵/₈" high A

Step 3. Configuration

-B2B2 two doors A

-B2B4 single door left, BBF right A

-B3B2 four drawers left, single door right A

-B3B4 four drawers left, BBF right A

Prices for Steps 1-3.

	-B2B2	-B2B4	-B3B2	-B3B4
JMS2S -1938	\$7488	8159	8570	9246

Step 4. Wood Finish

Premium Veneer - Low Sheen

	-B2B2	-B2B4	-B3B2	-B3B4
931 champagne anigre (natural) A	+\$2996	3264	3428	3699
932 sundance anigre A	+\$2996	3264	3428	3699
933 caramel anigre A	+\$2996	3264	3428	3699
934 henna anigre A	+\$2996	3264	3428	3699
941 natural beech A	+\$0	0	0	0
942 sundance cherry (natural) A	+\$0	0	0	0
943 caramel cherry A	+\$0	0	0	0
946 cocoa cherry A	+\$0	0	0	0
951 natural anigre A	+\$2996	3264	3428	3699
956 cocoa sapele A	+\$0	0	0	0
962 toasted walnut, low sheen A	+\$0	0	0	0
963 charred walnut, low sheen A	+\$0	0	0	0
964 bronzed walnut, low sheen A	+\$0	0	0	0
965 smoked walnut, low sheen A	+\$0	0	0	0
966 coffee walnut, low sheen A	+\$0	0	0	0
967 smoked paldao, low sheen A	+\$1124	1224	1286	1387
969 warm paldao, low sheen A	+\$1124	1224	1286	1387
977 chocolate ash, low sheen A	+\$0	0	0	0
978 natural oak A	+\$0	0	0	0

981 champagne hickory (natural) A	+\$0	0	0	0
98R recograin rosewood A	+\$0	0	0	0
991 champagne ash A	+\$0	0	0	0
998 ebony ash A	+\$0	0	0	0
99A recograin frosty ash A	+\$0	0	0	0
99R recograin rosewood A	+\$0	0	0	0
99T recograin teak A	+\$0	0	0	0
9A1 white ash, quarter cut, low sheen A	+\$0	0	0	0
9K1 rift oak, rift cut, low sheen A	+\$0	0	0	0
9K6 burnt oak, rift cut, low sheen A	+\$0	0	0	0
ED aged cherry A	+\$0	0	0	0
EK medium red walnut A	+\$0	0	0	0
G2U light brown walnut, low sheen A	+\$0	0	0	0
G40 dark brown walnut, low sheen A	+\$0	0	0	0
UX walnut on cherry A	+\$0	0	0	0

Sled Base Mobile Credenza Stone

Top *continued*

HermanMiller Collection—Storage

Premium Veneer - Matte		-B2B2	-B2B4	-B3B2	-B3B4
662	toasted walnut, matte sheen A	+\$0	0	0	0
663	charred walnut, matte sheen A	+\$0	0	0	0
664	bronzed walnut, matte sheen A	+\$0	0	0	0
665	smoked walnut, matte sheen A	+\$0	0	0	0
666	coffee walnut, matte sheen A	+\$0	0	0	0
667	smoked paldao, quarter cut, matte sheen A	+\$1124	1224	1286	1387
669	warm paldao, quarter cut, matte sheen A	+\$1124	1224	1286	1387
66A	recograin frosty ash A	+\$0	0	0	0
677	chocolate ash, matte sheen A	+\$0	0	0	0
678	natural oak A	+\$0	0	0	0
68R	recograin rosewood A	+\$0	0	0	0
69A	recograin frosty ash A	+\$0	0	0	0
69R	recograin rosewood A	+\$0	0	0	0
69T	recograin teak A	+\$0	0	0	0
6A1	white ash A	+\$0	0	0	0
6K1	rift oak A	+\$0	0	0	0
6K6	burnt oak A	+\$0	0	0	0
ET	clear on ash A	+\$0	0	0	0
EU	oak on ash A	+\$0	0	0	0
EV	walnut on ash A	+\$0	0	0	0
GOU	natural walnut, flat cut, matte sheen A	+\$0	0	0	0

RecoGrain Veneer		-B2B2	-B2B4	-B3B2	-B3B4
66G	recograin wenge A	-\$375	-408	-429	-463
68W	recograin walnut, flat cut, matte sheen A	-\$375	-408	-429	-463
69G	recograin wenge A	-\$375	-408	-429	-463
69K	recograin oak, quarter cut, matte sheen A	-\$375	-408	-429	-463
69W	recograin walnut, quarter cut, matte sheen A	-\$375	-408	-429	-463

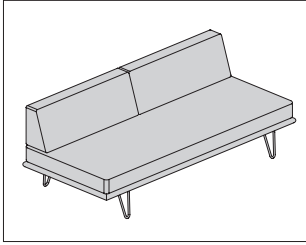
Recon Veneer -		-B2B2	-B2B4	-B3B2	-B3B4
96G	wenge recograin, quarter cut, low sheen A	-\$375	-408	-429	-463
98W	recograin walnut, flat cut, low sheen A	-\$375	-408	-429	-463
99G	recograin wenge, quarter cut, low sheen A	-\$375	-408	-429	-463
99K	recograin oak, quarter cut, low sheen A	-\$375	-408	-429	-463
99W	recograin walnut, quarter cut, low sheen A	-\$375	-408	-429	-463

Step 5. Stone or Marble Top		
200	perfato marble A	+\$0
250	verde antique marble A	+\$0
400	black granite A	+\$0
5U	georgia grey marble A	+\$0
800	autumn brown granite A	+\$0
960	white carrara marble A	+\$0
HR	wisconsin black marble A	+\$0

Step 6. Metal Finish		
BNZ	bronze A	+\$0
CHR	chrome A	+\$0
SAC	satin chrome A	+\$0

Nelson™ Daybed

TE5088
TE5089
TE5090

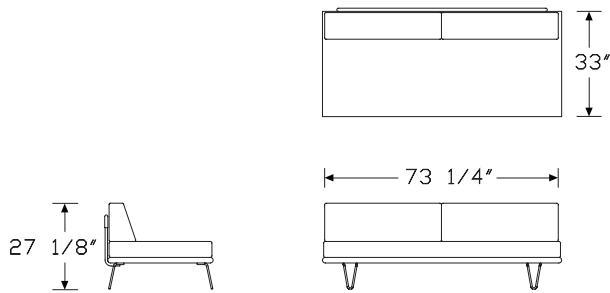


Product Information

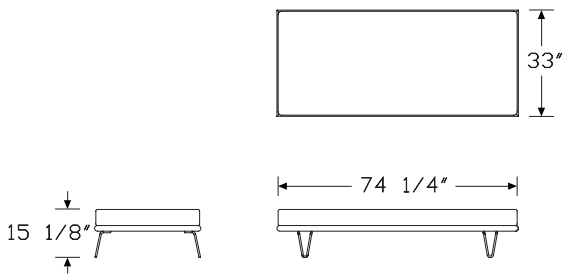
Description

This daybed is available with a seat cushion only, 2 back bolsters with steel bolster supports, or 1 end bolster and bolster support. Leg options are 4 steel hairpin legs or 4 wood taper legs with black glides.

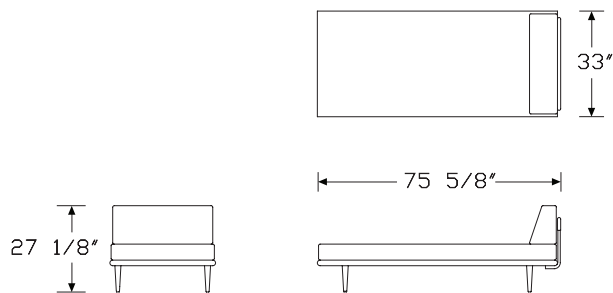
Dimensions



2 Bolsters and Bolster Support



Daybed



End Bolster and Bolster Support

Specification Information

Step 1.

TE50 A

Step 2. Configuration

88. two bolsters and bolster support A

89. daybed A

90. side bolster and bolster support A

Step 3. Leg

H hairpin A

T wood taper A

Prices for Steps 1-3.

TE5088.	H	\$3518
	T	\$3425

TE5089.	H	\$3106
	T	\$3013

TE5090.	H	\$3312
	T	\$3219

Step 4. Frame

OU walnut A +\$0

A2 white ash A +\$105

Step 5. Leg Finish

For hairpin (H)

SAC satin chrome A +\$0

For wood taper (T)

OU walnut A +\$0

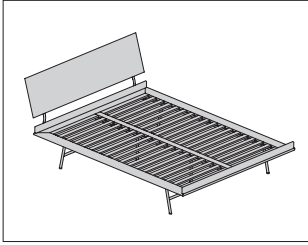
A2 white ash A +\$0

Step 6. Fabric

	88.	89.	90.
Price Category 2	+\$289	165	227
Price Category 5	+\$567	443	505
Price Category (Geiger) 7	+\$752	629	691
Price Category 10	+\$1030	907	969
Price Category 14	+\$1401	1278	1339
Price Category D	+\$320	440	500

Nelson™ Thin Edge Bed

TE5491
TE5492
TE5493
TE5494
TE5495



HermanMiller Collection—Bedroom

Product Information

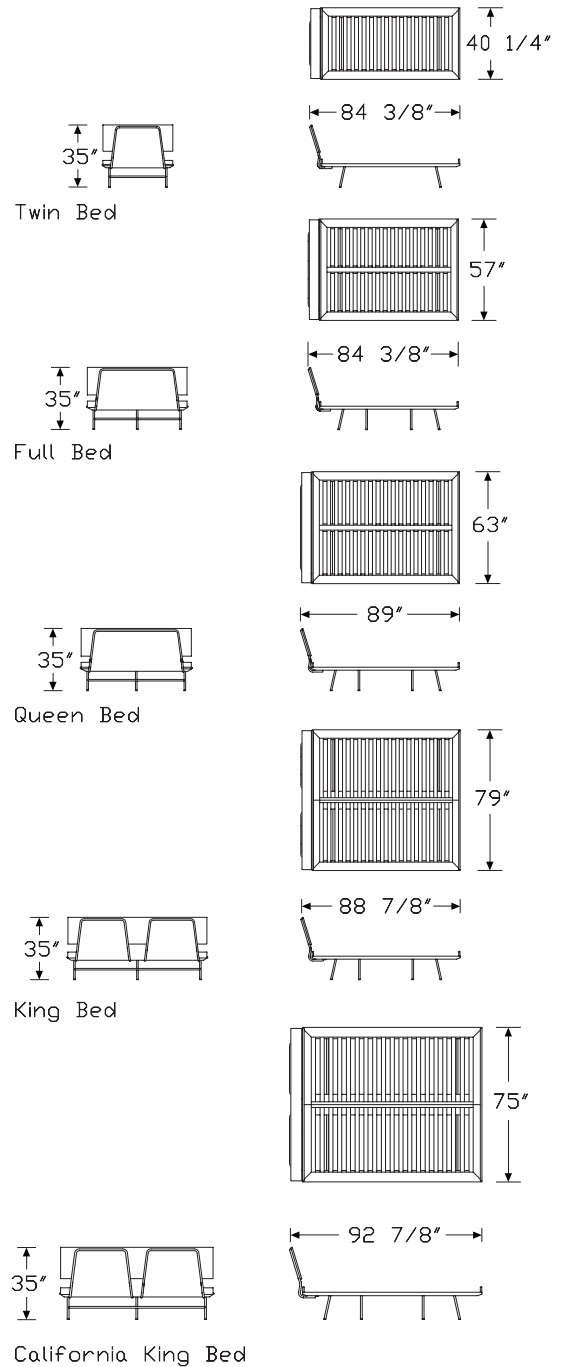
Description

This bed comes with a natural cane or veneer headboard option. Twin, full, and queen sizes have 1 headboard support. King and California king sizes come with 2 twin-size headboard supports. Leg options are steel H-frame legs or solid wood tapers. Twin bed has 4 wood taper legs; larger bed sizes have 6 wood taper legs. All leg options come with black glides.

Notes

Bed ships unassembled in 3 boxes. Frame, headboard and headboard supports, and legs ship in separate boxes.

Dimensions



Nelson™ Thin Edge Bed *continued*

Specification Information

Step 1.

TE54 A

Step 2. Size

- 91. twin A
- 92. full A
- 93. queen A
- 94. king A
- 95. california king A

Step 3. Headboard

- C natural cane A
- V veneer A

Step 4. Leg

- F h frame A
- T wood taper A

Prices for Steps 1-4.

	F	T
TE5491. C	\$3492	3399
V	\$3214	3142
TE5492. C	\$4110	4017
V	\$3842	3760
TE5493. C	\$4986	4893
V	\$4728	4635
TE5494. C	\$5604	5511
V	\$5346	5253
TE5495. C	\$5604	5511
V	\$5346	5253

Step 5. Frame Finish

	91.	92.	93.	94.	95.
OU walnut <input type="checkbox"/> A	+\$0	0	0	0	0
A2 white ash <input type="checkbox"/> A	+\$105	120	150	180	180

Step 6. Leg Finish

For h frame (F)

SAC satin chrome <input type="checkbox"/> A	+\$0
---	------

For wood taper (T)

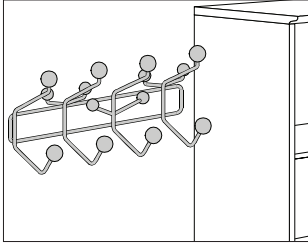
OU walnut <input type="checkbox"/> A	+\$0
A2 white ash <input type="checkbox"/> A	+\$0

Accessories

Lighting

Eames® Hang-It-All®

HIA91
 HIABK
 HIAML
 HIAOU
 HIAUL

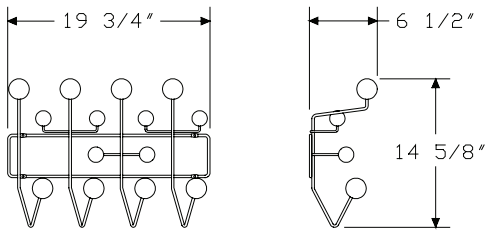


Product Information

Description

The Hang-It-All® frame is steel rod, available in white, black or dark blue. The black frame is available with solid wooden spheres in black or solid walnut. The white frame is available with either the multi-color option with 14 solid wooden spheres in 9 different colors: yellow, mustard, blue, green, red, pastel pink, bold pink, purple, and black, or the white option with solid wooden spheres in white or solid walnut. The dark blue frame is offered with solid maple spheres finished in a matte sheen. Attachment hardware is included.

Dimensions



Specification Information

Step 1.

HIA

Step 2. Sphere Finish

MLC	multi-color (multi-color spheres with white frame)
91	white
BK	black
OU	walnut
UL	natural maple

Step 3. Wire Finish

For multi-color (multi-color spheres with white frame) (MLC)

91 white

For white (91)

91 white

For black (BK)

BK black

For walnut (OU)

91 white

BK black

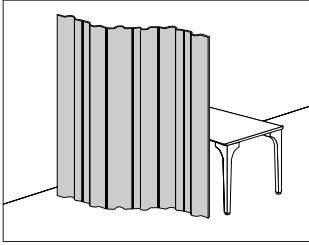
For natural maple (UL)

DBM dark blue maple

Prices for Steps 1-3.

HIAMLC 91	\$228
HIA91 91	\$193
HIABK BK	\$193
HIAOU 91	\$297
BK	\$297
HIAUL DBM	\$297

Eames® Molded Plywood Folding Screen FSW.



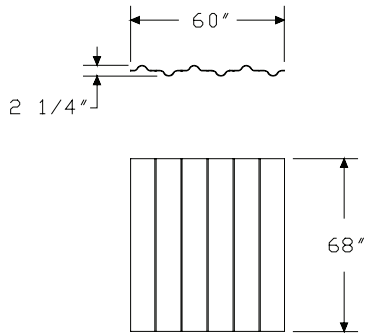
HermanMiller Collection—Accessories

Product Information

Description
 This 6-paneled, 5-ply screen has natural face veneers with lightweight hardwood inner plies. It stands alone to create standing or seated privacy and divisions within an environment. Each molded plywood section is connected by woven polypropylene mesh.

Notes
 Ebony (EN) option is stain on ash veneer; inner plies are not as visible.

Dimensions



Specification Information

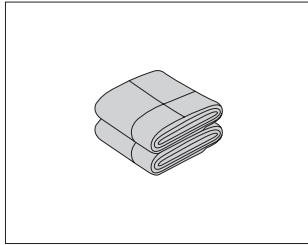
Step 1.
FSW. A \$3414

Step 2. Surface Finish

EN	ebony A	+\$0
OU	walnut A	+\$225
A2	white ash A	+\$225

Girard® Throw

HA-GT

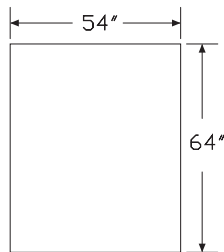


Product Information

Description

In the 1960's, Alexander Girard designed this richly hued throw blanket as part of an astounding 17,543 item brand identity system—from logo to lounge furniture to bag tags—for Braniff International Airways. The re-created designs are crafted from a blend of 82% naturally breathable, wrinkle resistant, high quality virgin wool and 18% cotton.

Dimensions



Specification Information

Step 1.

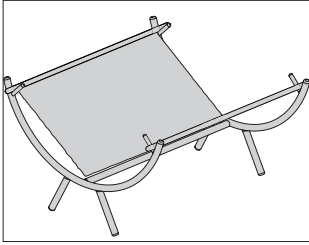
HA-GT \$359

Step 2. Finish

TLA	teal/aqua	+\$0
ORF	orange/fuchsia	+\$0
BKW	black/white	+\$0
NLW	natural/white	+\$0

Nelson™ Firewood Caddy

HA-FC.



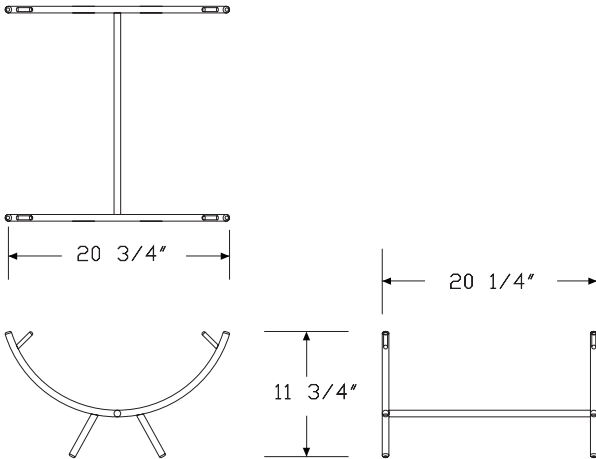
HermanMiller Collection—Accessories

Product Information

Description

This caddy has a powder-coated steel frame, canvas sling, and solid walnut dowels.

Dimensions



Specification Information

Step 1.

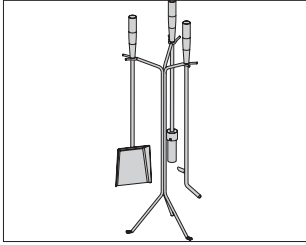
HA-FC. [A] \$425

Step 2. Wood Handle

OU walnut [A] +\$0

Nelson™ Fireplace Tool Set

HA-FP.

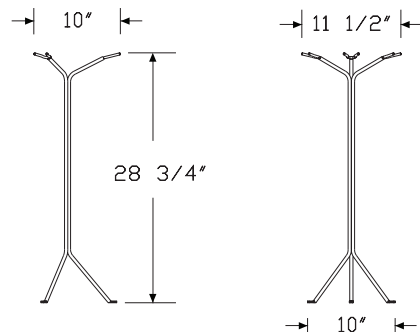
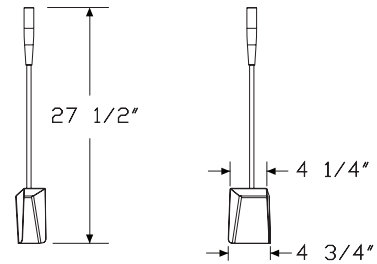
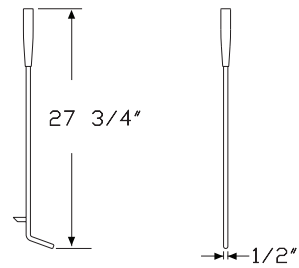
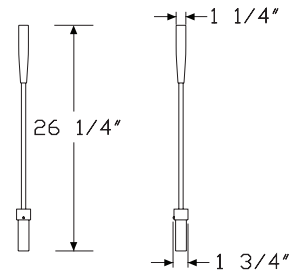


Product Information

Description

This set of fireplace tools includes stand, poker, shovel, and brush, each made from powder-coated steel with walnut handles.

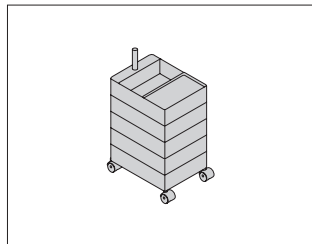
Dimensions



Specification Information		
Step 1.		
HA-FP.	A	\$430
Step 2. Wood Handle		
OU	walnut A	+\$0

360° Container (5 drawer w/
casters)

HA-CO

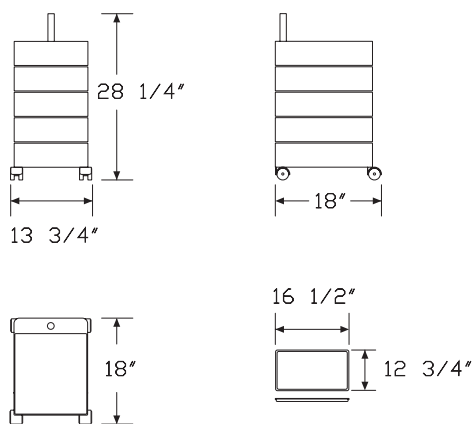


Product Information

Description

A strikingly simple and highly mobile storage solution, Konstantin Grcic's 360° Container for Magis keeps pace with contemporary work and living spaces where considerable movement is the norm. The container's drawer units swivel out to 360° to open, and casters allow for convenient mobility.

Dimensions



Specification Information

Step 1.

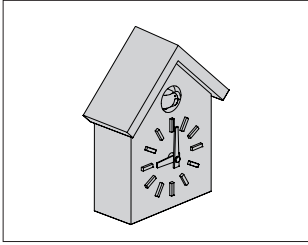
HA-CO \$683

Step 2. Finish

TRG orange gloss +\$0
TWG white gloss +\$0
YB3 light grey gloss +\$0
TBG black gloss +\$0
RED red gloss +\$0

Cu-Clock, 4-Pack

HA-CC



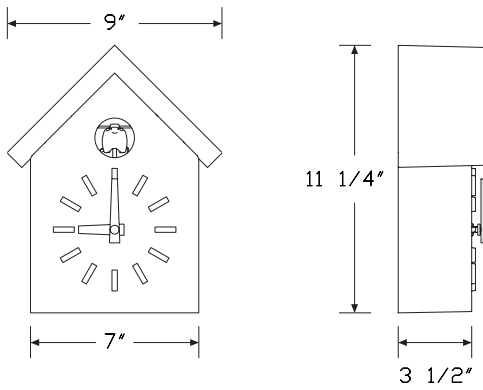
HermanMiller Collection—Accessories

Product Information

Description

Japanese designer Naoto Fukasawa offers a contemporary twist on tradition with his Cu-Clock for Magis. Cleverly stripping away the ornamentation, wooden gears, pendants, and chains that define the look of the traditional Black Forest cuckoo clock, Fukasawa leaves in its place clean lines and standard injection-molded ABS. Finish is matte white with optional roof colors. Battery included.

Dimensions



Specification Information

Step 1.

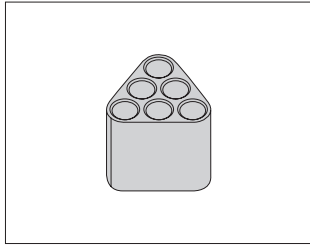
HA-CC-4 \$1468

Step 2. Finish

A	white with orange roof	+\$0
B	white with white roof	+\$0
V	white with green roof	+\$0

Umbrella Stand

HA-US

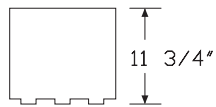
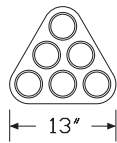


Product Information

Description

The Umbrella Stand for Magis allows long and short umbrellas to be easily popped in and stowed when dashing in from the rain. Its compact size and triangular shape make for easy placement in an entryway or hallway. Available in orange, white, black, or olive green.

Dimensions



Specification Information

Step 1.

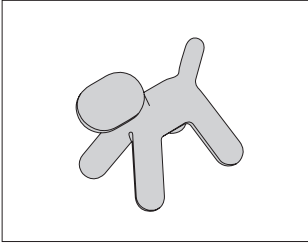
HA-US \$157

Step 2. Finish

ORN	orange	+\$0
WHX	white	+\$0
BLC	black	+\$0
YGH	olive green <input type="checkbox"/> A	+\$0

Puppy

HA-PP

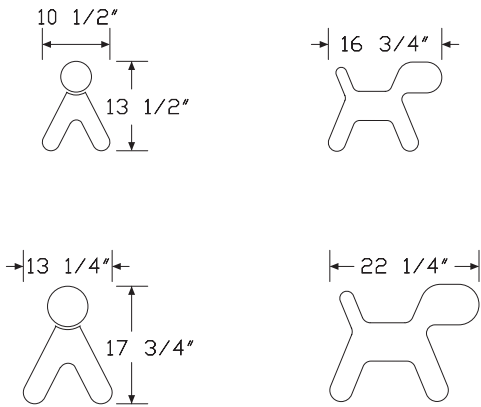


HermanMiller Collection—Accessories

Product Information

Description
 The vivid color, organic form, and playful spirit of Puppy are all characteristic of Finnish designer Eero Aarnio's oeuvre. Imaginative and innovative, his abstract plastic dog for Magis Me Too blends function and delight, finding use both inside and out as a seat or simply as sculpture.

Dimensions



Specification Information

Step 1.

HA-PP

Step 2. Size

- S** small
- M** medium

Prices for Steps 1-2.

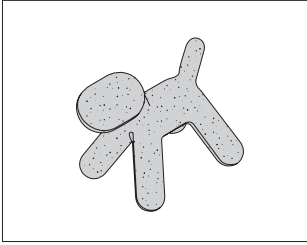
HA-PP S	\$94
M	\$157

Step 3. Finish

PRG orange	+\$0
PFW off-white	+\$0
PGN green A	+\$0

Dalmatian Puppy

HA-DP

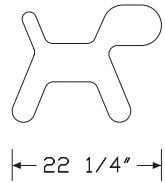
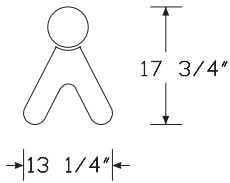
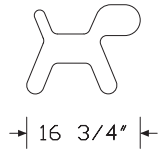
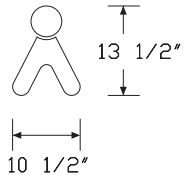


Product Information

Description

The color, organic form, and playful spirit of Puppy are all characteristic of Finnish designer Eero Aarnio's oeuvre. Imaginative and innovative, his abstract plastic dog for Magis Me Too blends function and delight, finding use both inside and out as a seat or simply as sculpture.

Dimensions



Specification Information

Step 1.

HA-DP

Step 2. Size

S small

M medium

L large

Prices for Steps 1-2.

HA-DP	S	\$130
	M	\$220
	L	\$290

Steelwood Coat Stand

HA-CR



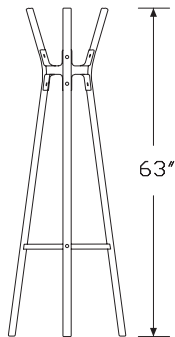
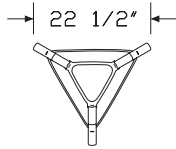
HermanMiller Collection—Accessories

Product Information

Description

This coat stand shares the same simple wood and steel joinery that makes the entire Steelwood family appropriate for casual and elegant settings alike. Its triangular footprint fits easily into tight spaces. Frame is natural or painted beech. Top and bottom joints are steel plate painted in epoxy resin.

Dimensions



Specification Information

Step 1.

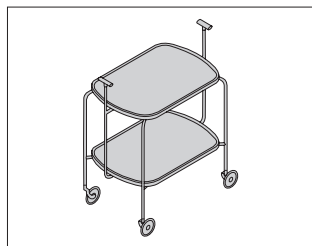
HA-CR \$662

Step 2. Finish

WFW	white frame with white joints	+\$0
BFB	black frame with black joints A	+\$0
NBW	natural beech frame with white joints	+\$0
NBB	natural beech frame with black joints	+\$0
YWF	walnut frame with black joints A	+\$430

Transit Folding Trolley

HA-TT

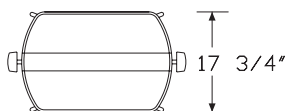
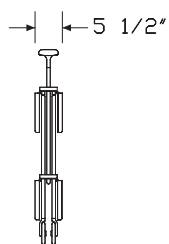
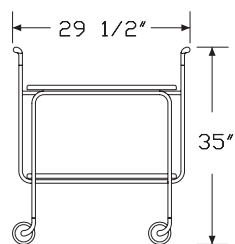


Product Information

Description

The practical design and subtle sophistication of David Mellor's Transit Folding Trolley for Magis makes this resourceful trolley cart equally suited for both home and work environments. Made with a chromed steel tube frame, standard injection-molded polypropylene shelves, and polished die-cast aluminum handles, Transit features casters for easy mobility and a folding system for quick, compact storage.

Dimensions



Specification Information

Step 1.

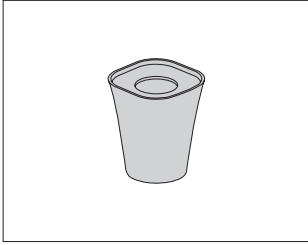
HA-TT \$736

Step 2. Finish

YF9 white +\$0

Trash Bin, 4-Pack

HA-TH-



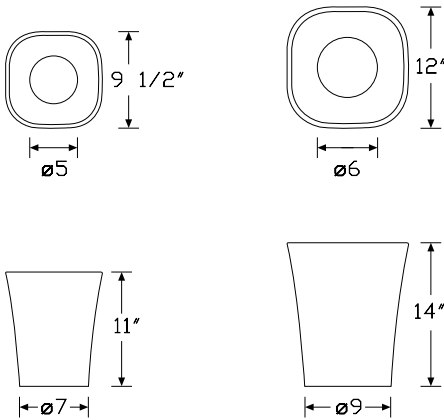
HermanMiller Collection—Accessories

Product Information

Description

Jasper Morrison's ability to design simple, functional objects beautifully finds its proof in his covetable reprisal of the lowly trash container. Created with Magis using standard plastic, this sleek receptacle features a removable lid and bag-liner holder to make basic litter collection easier and more stylish in the home or workplace.

Dimensions



Specification Information

Step 1.

HA-TH-4

Step 2. Size

- 4.** Small
- 0.** Large

Prices for Steps 1-2.

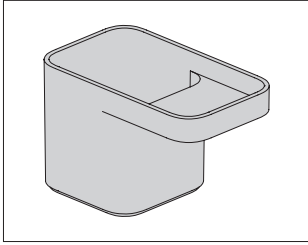
HA-TH-4 4.	\$152
0.	\$228

Step 3. Finish

B	white matte color	+ \$0
N	black matte color	+ \$0
BE	beige matte color <input type="checkbox"/>	+ \$0

Pencil Cup

CY100.



Product Information

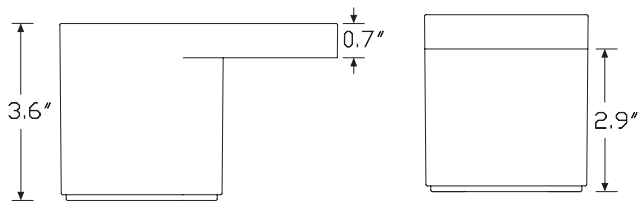
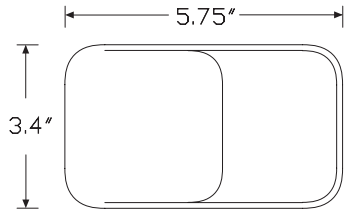
Description

The pencil cup is designed to hold pencils, pens, markers, and office tools. It also has an integrated ledge for convenient storage of other small items. It is crafted of high gloss ABS plastic with a silicone base.

Notes

Formwork® is a modular system of containers that may be arranged, stacked, and combined to best organize tools and accessories.

Dimensions



Specification Information

Step 1.

CY100. \$23

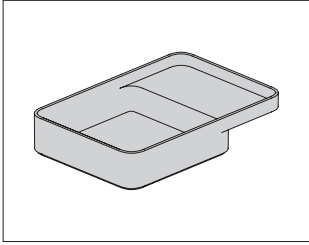
Step 2. Finish

CRT concrete +\$0

NYX onyx +\$0

Tray

CY101.



HermanMiller Collection—Accessories

Product Information

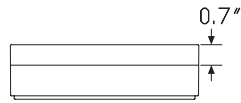
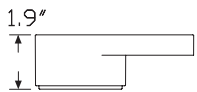
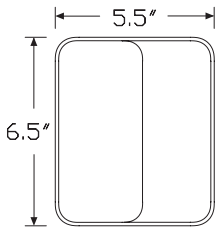
Description

These stackable trays are designed to hold small office tools and personal items, and have an integrated ledge for convenient storage of other objects such as business cards or a pad of sticky notes. They are crafted of high gloss ABS plastic with a silicone base.

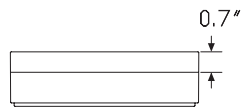
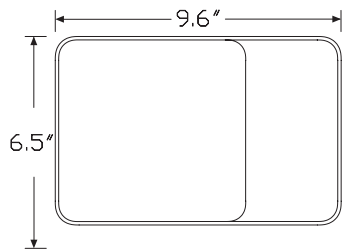
Notes

Formwork® is a modular system of containers that may be arranged, stacked, and combined to best organize tools and accessories.

Dimensions



Tray-Small



Tray-Large

Specification Information

Step 1.

CY101.

Step 2. Size

S small

L large

Prices for Steps 1-2.

CY101. S	\$25
L	\$32

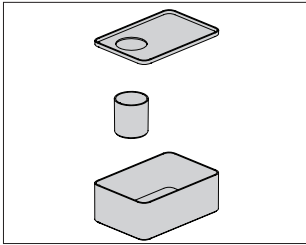
Step 3. Finish

CRT concrete +\$0

NYX onyx +\$0

Box

CY102.



Product Information

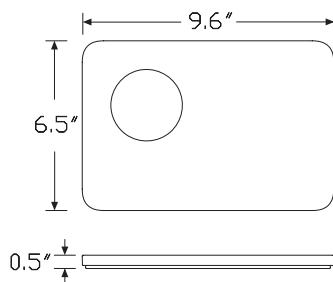
Description

These stackable boxes are designed to hold office tools and personal items, and have a cup for convenient storage of other objects such as paper clips, tacks, and loose change. They are crafted of high gloss ABS plastic with a silicone base.

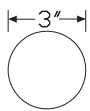
Notes

Formwork® is a modular system of containers that may be arranged, stacked, and combined to best organize tools and accessories.

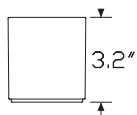
Dimensions



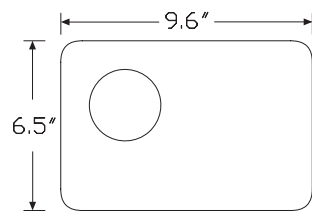
Lid



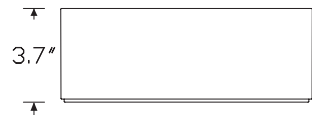
Cup - Small



Cup - Large



Box - Small



Box - Large

Specification Information

Step 1.

CY102.

Step 2. Size

- S** small
- L** large

Prices for Steps 1-2.

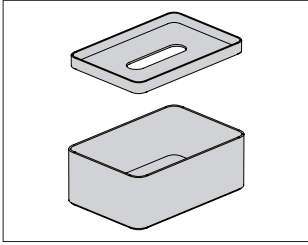
CY102. S	\$55
L	\$67

Step 3. Finish

CRT concrete	+ \$0
NYX onyx	+ \$0

Tissue Box

CY103.



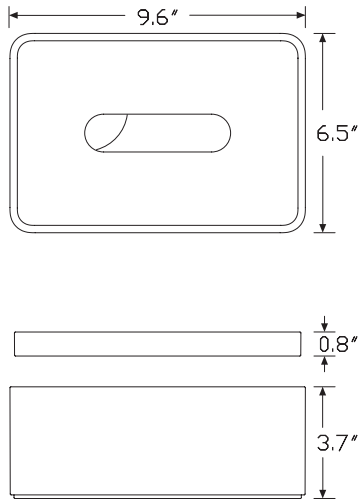
HermanMiller Collection—Accessories

Product Information

Description
The tissue box is crafted of high gloss ABS plastic with a silicone base.

Notes
Formwork® is a modular system of containers that may be arranged, stacked, and combined to best organize tools and accessories.

Dimensions



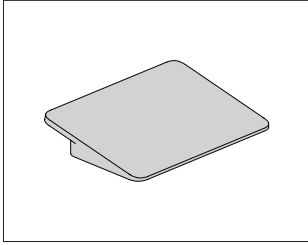
Specification Information

Step 1.
CY103. \$65

Step 2. Finish
CRT concrete +\$0
NYX onyx +\$0

Media Stand

CY104.



Product Information

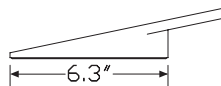
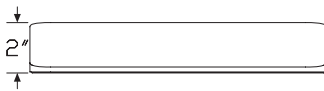
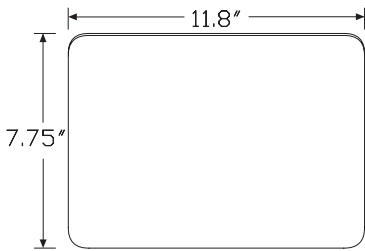
Description

The media stand supports tablets, notebooks, and small laptops. It is crafted of high gloss ABS plastic with a silicone top.

Notes

Formwork® is a modular system of containers that may be arranged, stacked, and combined to best organize tools and accessories.

Dimensions



Specification Information

Step 1.

CY104. \$70

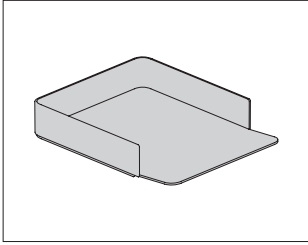
Step 2. Finish

CRT concrete +\$0

NYX onyx +\$0

Paper Tray

CY105.



HermanMiller Collection—Accessories

Product Information

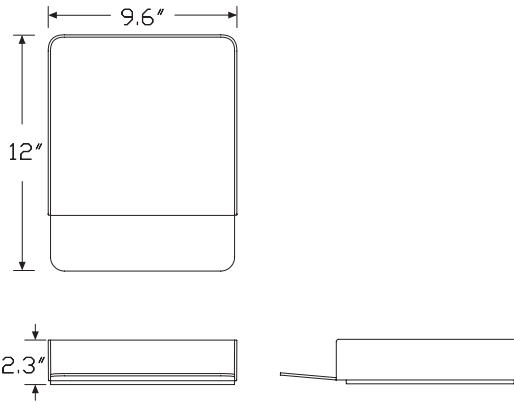
Description

This stackable paper tray is crafted of high gloss ABS plastic.

Notes

Formwork® is a modular system of containers that may be arranged, stacked, and combined to best organize tools and accessories.

Dimensions



Specification Information

Step 1.

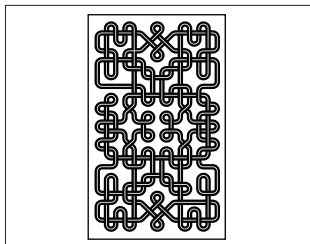
CY105. \$30

Step 2. Finish

CRT concrete +\$0

NYX onyx +\$0

Environmental Enrichment Panel, EE932
Knot



Product Information

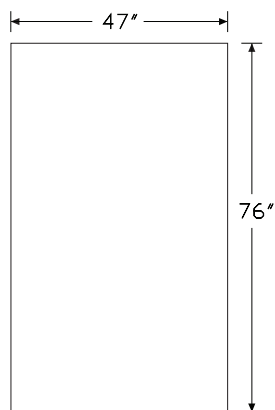
Description

This environmental enrichment panel is 47" x 76" and is screen printed by hand on 100% linen fabric. Mounted on an MDF panel with a spacer frame and hardware, it is easy to install on a wall.

Notes

Mounted panel is stretched over MDF with a frame and sawtooth hanging clip.

Dimensions



Specification Information

Step 1.

EE A

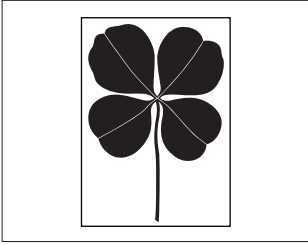
Step 2. Form

932 mounted A

Prices for Steps 1-2.

EE932 \$1808

Environmental Enrichment Panel, EE929
Four Leaf Clover



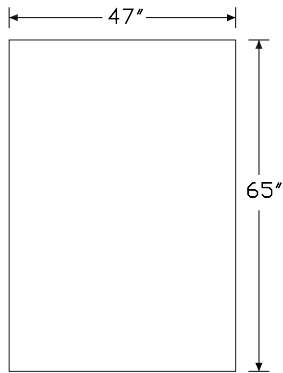
HermanMiller Collection—Accessories

Product Information

Description
This environmental enrichment panel is 47" x 65" and is screen printed by hand on 100% linen fabric. Mounted on an MDF panel with a spacer frame and hardware, it is easy to install on a wall.

Notes
Mounted panel is stretched over MDF with a frame and sawtooth hanging clip.

Dimensions



Specification Information

Step 1.

EE A

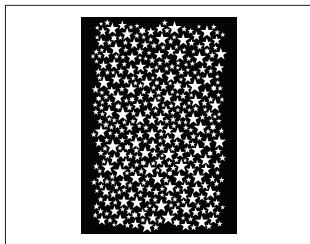
Step 2. Form

929 mounted A

Prices for Steps 1-2.

EE929 \$1665

Environmental Enrichment Panel, Stars EE913



Product Information

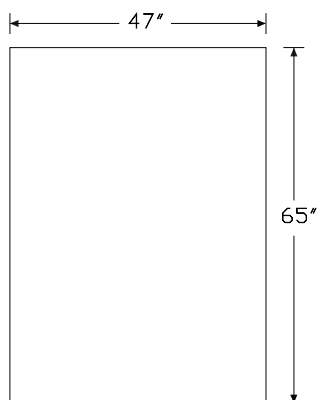
Description

This environmental enrichment panel is 47" x 65" and is screen printed by hand on 100% linen fabric. Mounted on an MDF panel with a spacer frame and hardware, it is easy to install on a wall.

Notes

Mounted panel is stretched over MDF with a frame and sawtooth hanging clip.

Dimensions



Specification Information

Step 1.

EE A

Step 2. Form

913 mounted A

Prices for Steps 1-2.

EE913

\$1665

Environmental Enrichment Panel, EE935
Black and White



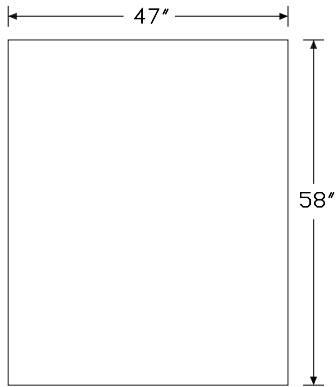
HermanMiller Collection—Accessories

Product Information

Description
This environmental enrichment panel is 47" x 58" and is screen printed by hand on 100% linen fabric. Mounted on an MDF panel with a spacer frame and hardware, it is easy to install on a wall.

Notes
Mounted panel is stretched over MDF with a frame and sawtooth hanging clip.

Dimensions



Specification Information

Step 1.

EE A

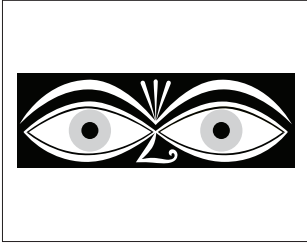
Step 2. Form

935 mounted A

Prices for Steps 1-2.

EE935 \$1587

Environmental Enrichment Panel, EE914
Eyes



Product Information

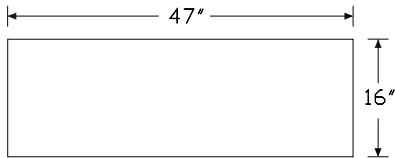
Description

This environmental enrichment panel is 47" x 16" and is screen printed by hand on 100% linen fabric. Mounted on an MDF panel with a spacer frame and hardware, it is easy to install on a wall.

Notes

Mounted panel is stretched over MDF with a frame and sawtooth hanging clip.

Dimensions



Specification Information

Step 1.

EE A

Step 2. Form

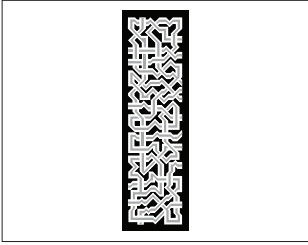
914 mounted A

Prices for Steps 1-2.

EE914

\$1361

Environmental Enrichment Panel, EE943 Ribbons



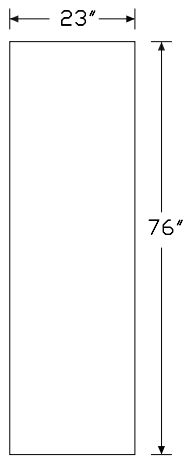
HermanMiller Collection—Accessories

Product Information

Description
This environmental enrichment panel is 23" x 76" and is screen printed by hand on 100% linen fabric. Mounted on an MDF panel with a spacer frame and hardware, it is easy to install on a wall.

Notes
Mounted panel is stretched over MDF with a frame and sawtooth hanging clip.

Dimensions



Specification Information

Step 1.

EE A

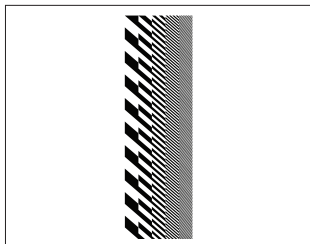
Step 2. Form

943 mounted A

Prices for Steps 1-2.

EE943 \$1630

Environmental Enrichment Panel, EE937
Diagonals



Product Information

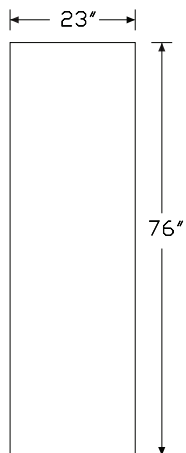
Description

This environmental enrichment panel is 23" x 76" and is screen printed by hand on 100% linen fabric. Mounted on an MDF panel with a spacer frame and hardware, it is easy to install on a wall.

Notes

Mounted panel is stretched over MDF with a frame and sawtooth hanging clip.

Dimensions



Specification Information

Step 1.

EE A

Step 2. Form

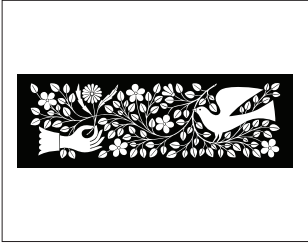
937 mounted A

Prices for Steps 1-2.

EE937

\$1470

Environmental Enrichment Panel, EE907
Hand & Dove



HermanMiller Collection—Accessories

Product Information

Description
This environmental enrichment panel is 47" x 16" and is screen printed by hand on 100% linen fabric. Mounted on an MDF panel with a spacer frame and hardware, it is easy to install on a wall.

Notes
Mounted panel is stretched over MDF with a frame and sawtooth hanging clip.

Dimensions

Specification Information

Step 1.

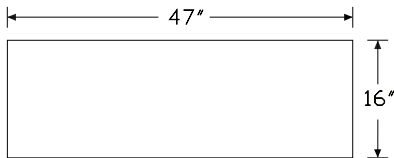
EE A

Step 2. Form

907 mounted A

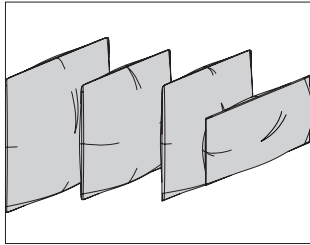
Prices for Steps 1-2.

EE907 \$1018



Geiger Textile Pillow

PTA
PTB
PTC
PTD

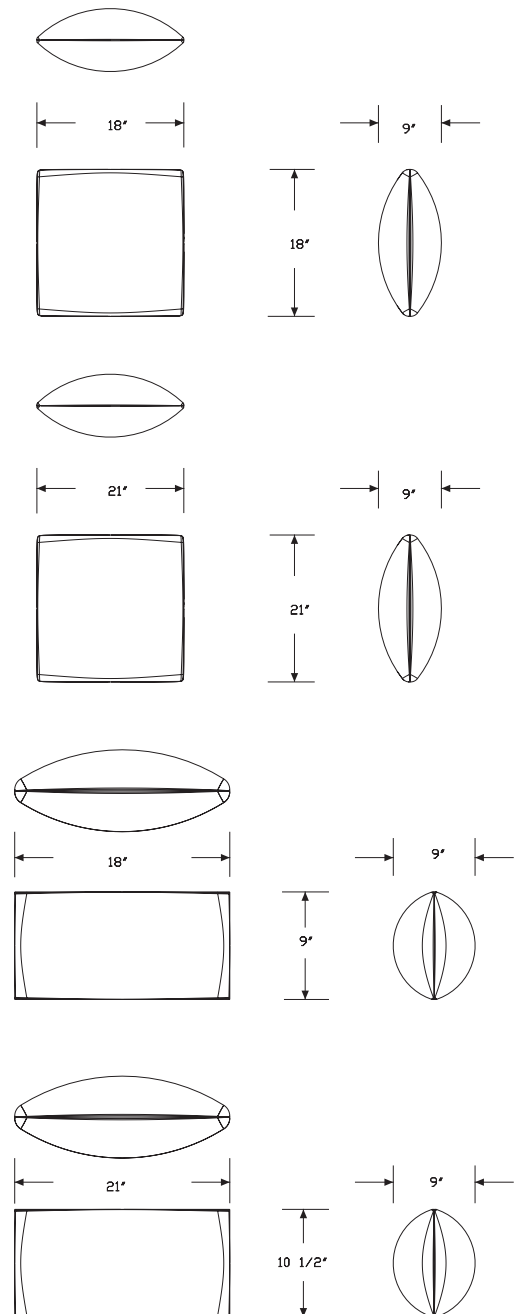


Product Information

Description

These pillows are available in 4 sizes. All pillows are filled with 95% duck feather and 5% duck down.

Dimensions



Geiger Textile Pillow *continued*

Specification Information

Step 1.

PT A

Step 2. Size

A 9" high x 18" long A

B 18" high x 18" long A

C 10.5" high x 21" long A

D 21" high x 21" long A

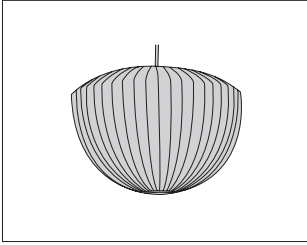
Prices for Steps 1-2.

PTA	\$150
PTB	\$180
PTC	\$160
PTD	\$225

Step 3. Fabric

Price Category (Geiger) 3	+\$31
Price Category (Geiger) 4	+\$38
Price Category (Geiger) 5	+\$55
Price Category (Geiger) 6	+\$72
Price Category (Geiger) 7	+\$89
Price Category (Geiger) 8	+\$135
Price Category (Geiger) 9	+\$168

Nelson™ Apple Bubble Pendant H766M



Product Information

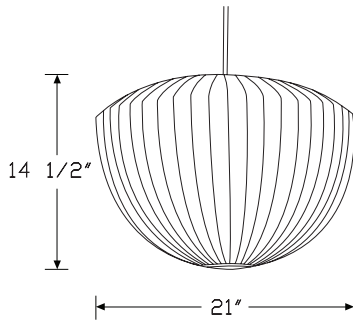
Description

The Nelson™ Apple Bubble Pendant comes with a 5 1/4" brushed, nickel-plated steel ceiling plate and a 10' cord. Bulb not included. 150W/120V. UL listed.

Notes

UL rated for bulbs up to 150 watts.

Dimensions



Specification Information

Step 1.

H766

Step 2. Size

M medium

Prices for Steps 1-2.

H766M

\$587

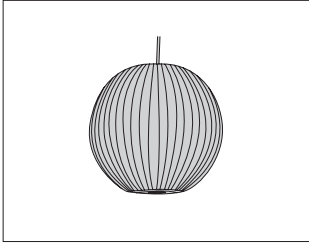
Step 3. Trim Finish

BNS brushed nickel

+\$0

Nelson™ Ball Bubble Pendant

H761L
H761M
H761S



HermanMiller Collection—Lighting

Product Information

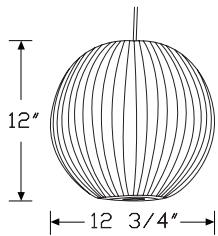
Description

The Nelson™ Ball Bubble Pendant is available in 3 sizes. Each lamp comes with a 5 1/4" brushed, nickel-plated steel ceiling plate and a 10' cord. Bulb not included. 150W/120V. UL listed.

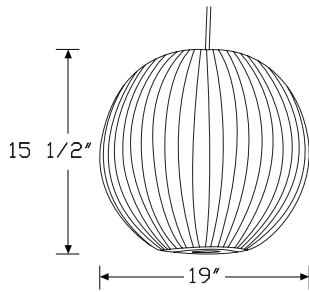
Notes

UL rated for bulbs up to 150 watts.

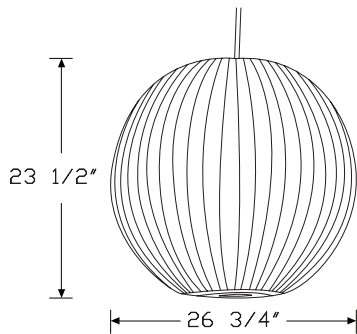
Dimensions



Small



Medium



Large

Specification Information

Step 1.

H761

Step 2. Size

- S** small
- M** medium
- L** large

Prices for Steps 1-2.

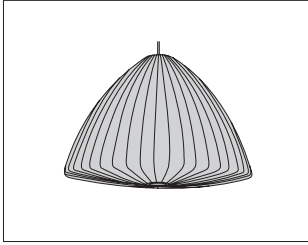
H761S	\$470
H761M	\$587
H761L	\$663

Step 3. Trim Finish

BNS brushed nickel	+\$0
---------------------------	------

Nelson™ Bell Bubble Pendant

BELLX



Product Information

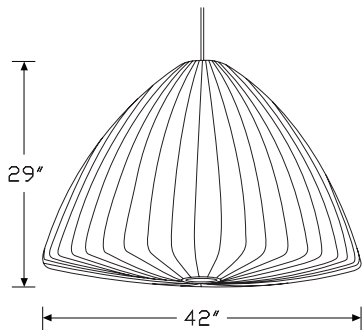
Description

The extra-large Nelson™ Bell Bubble Pendant comes with a 5 1/4" brushed, nickel-plated steel ceiling plate and a 9' cord. Bulb not included. 150W/120V. UL listed.

Notes

UL rated for bulbs up to 150 watts.

Dimensions



Specification Information

Step 1.

BELL

Step 2. Size

XL x-large

Prices for Steps 1-2.

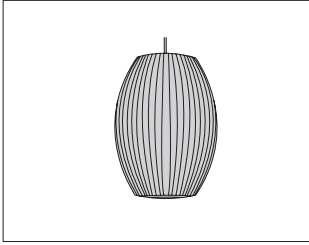
BELLXL \$1398

Step 3. Trim Finish

BNS brushed nickel +\$0

Nelson™ Cigar Bubble Pendant

H762L
H762M
H762S
H762X



Product Information

Description

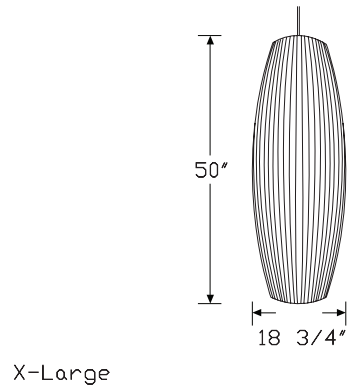
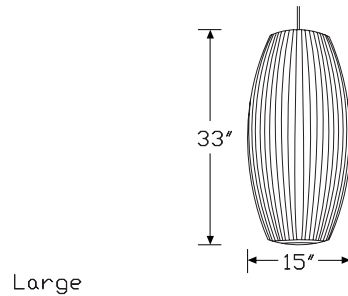
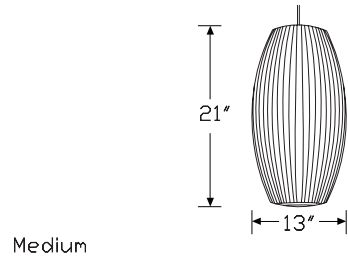
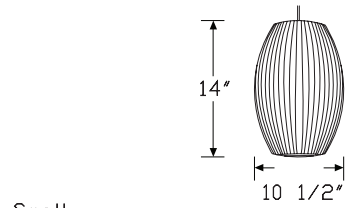
The Nelson™ Cigar Bubble Pendant is available in 4 sizes. Each lamp comes with a 5 1/4" brushed, nickel-plated steel ceiling plate and a 10' cord. Bulb not included. 150W/120V. UL listed.

Notes

UL rated for bulbs up to 150 watts.

HermanMiller Collection—Lighting

Dimensions



Nelson™ Cigar Bubble Pendant

continued

Specification Information

Step 1.

H762

Step 2. Size

S small

M medium

L large

XL x-large

Prices for Steps 1-2.

H762S \$470

H762M \$587

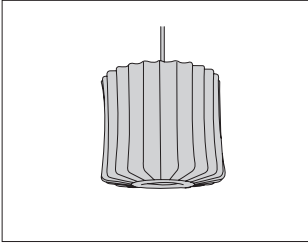
H762L \$663

H762XL \$1398

Step 3. Trim Finish

BNS brushed nickel +\$0

Nelson™ Lantern Bubble Pendant H737S



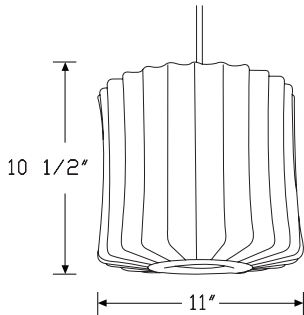
HermanMiller Collection—Lighting

Product Information

Description
 The Nelson™ Lantern Bubble Pendant comes with a 5 1/4" brushed, nickel-plated steel ceiling plate and a 10' cord. Bulb not included. 150W/120V. UL listed.

Notes
 UL rated for bulbs up to 150 watts.

Dimensions



Specification Information

Step 1.

H737

Step 2. Size

S small

Prices for Steps 1-2.

H737S \$470

Step 3. Trim Finish

BNS brushed nickel +\$0

Nelson™ Pear Bubble Pendant

H770M
H770S



Product Information

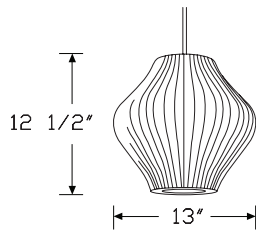
Description

The Nelson™ Pear Bubble Pendant is available in 2 sizes. Each lamp comes with a 5 1/4" brushed, nickel-plated steel ceiling plate and a 10' cord. Bulb not included. 150W/120V. UL listed.

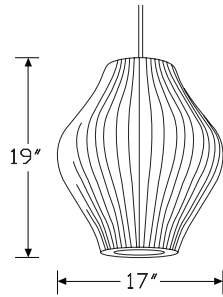
Notes

UL rated for bulbs up to 150 watts.

Dimensions



Small



Medium

Specification Information

Step 1.

H770

Step 2. Size

- S** small
- M** medium

Prices for Steps 1-2.

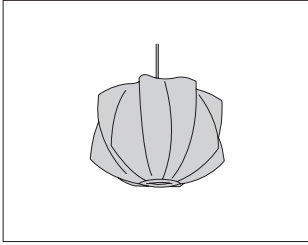
H770S	\$470
H770M	\$587

Step 3. Trim Finish

BNS brushed nickel	+\$0
---------------------------	------

Nelson™ Propeller Bubble
Pendant

PROP



HermanMiller Collection—Lighting

Product Information

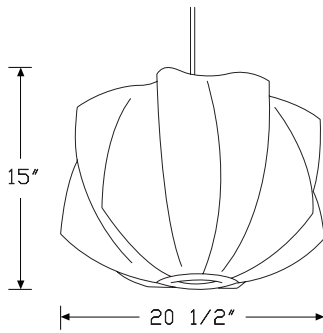
Description

The Nelson™ Propeller Bubble Pendant comes with a 5 1/4" brushed, nickel-plated steel ceiling plate and a 10' cord. Bulb not included. 150W/120V. UL listed.

Notes

UL rated for bulbs up to 150 watts.

Dimensions



Specification Information

Step 1.

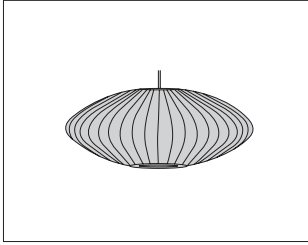
PROP \$587

Step 2. Trim Finish

BNS brushed nickel +\$0

Nelson™ Saucer Bubble Pendant

H763L
H763M
H763S
H763X



Product Information

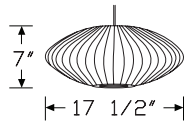
Description

The Nelson™ Saucer Bubble Pendant is available in 4 sizes. Each lamp comes with a 5 1/4" brushed, nickel-plated steel ceiling plate and a 10' cord. The extra-large lamp has a 9' cord. Bulb not included. 150W/120V for medium, large and extra-large saucers; 60W/120V for small saucers. UL listed.

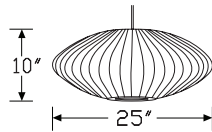
Notes

UL rated for bulbs up to 150 watts; small saucer 60W/120V and UL rated for bulbs up to 60 watts.

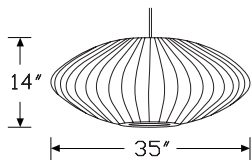
Dimensions



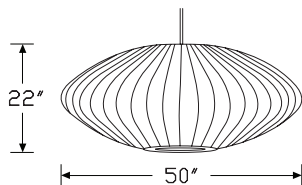
Small



Medium



Large



Extra Large

Specification Information

Step 1.

H763

Step 2. Size

S small
M medium
L large
XL x-large

Prices for Steps 1-2.

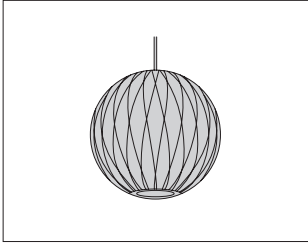
H763S	\$470
H763M	\$587
H763L	\$663
H763XL	\$1398

Step 3. Trim Finish

BNS brushed nickel +\$0

Nelson™ Ball Crisscross Bubble
Pendant

H761C



HermanMiller Collection—Lighting

Product Information

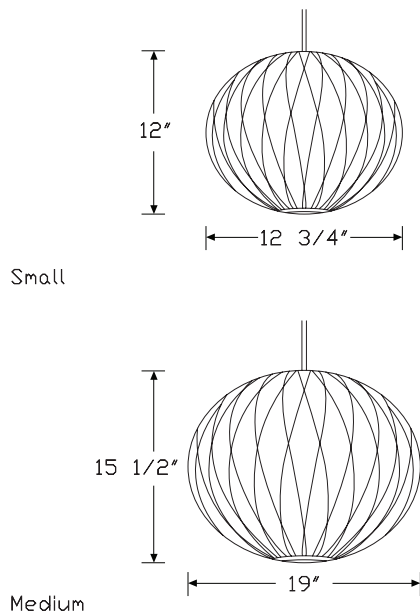
Description

The Nelson™ Ball Crisscross Bubble Pendant is available in 2 sizes. Each lamp comes with a 5 1/4" brushed, nickel-plated steel ceiling plate and a 10' cord. Bulb not included. 150W/120V. UL listed.

Notes

UL rated for bulbs up to 150 watts.

Dimensions



Specification Information

Step 1.

H761CC

Step 2. Size

- S** small
- M** medium

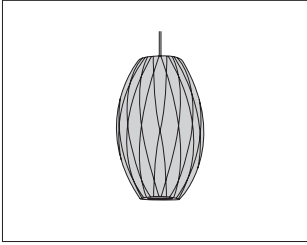
Prices for Steps 1-2.

H761CC S	\$470
M	\$587

Step 3. Trim Finish

BNS brushed nickel	+\$0
---------------------------	------

Nelson™ Cigar Crisscross Bubble Pendant H762C



Product Information

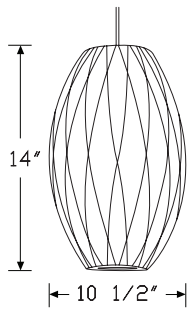
Description

The Nelson™ Cigar Crisscross Bubble Pendant is available in 2 sizes. Each lamp comes with a 5 1/4" brushed, nickel-plated steel ceiling plate and a 10' cord. Bulb not included. 150W/120V. UL listed.

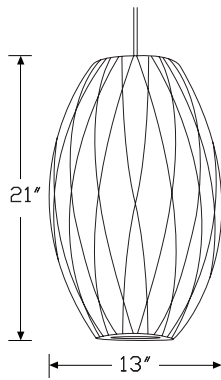
Notes

UL rated for bulbs up to 150 watts.

Dimensions



Small



Medium

Specification Information

Step 1.

H762CC

Step 2. Size

- S** small
- M** medium

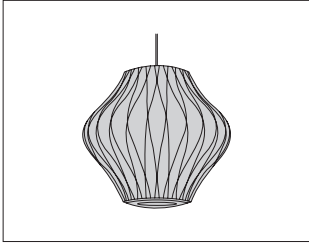
Prices for Steps 1-2.

H762CC S	\$470
M	\$587

Step 3. Trim Finish

BNS brushed nickel	+\$0
---------------------------	------

Nelson™ Pear Crisscross Bubble Pendant H770C



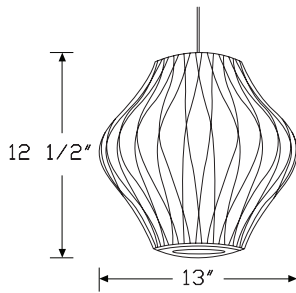
HermanMiller Collection—Lighting

Product Information

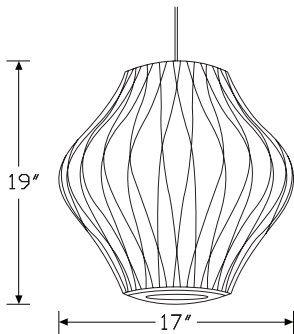
Description
 The Nelson™ Pear Crisscross Bubble Pendant is available in 2 sizes. Each lamp comes with a 5 1/4" brushed, nickel-plated steel ceiling plate and a 10' cord. Bulb not included. 150W/120V. UL listed.

Notes
 UL rated for bulbs up to 150 watts.

Dimensions



Small



Medium

Specification Information

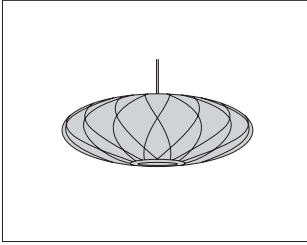
Step 1.
H770CC

Step 2. Size
S small
M medium

Prices for Steps 1-2.
H770CC S \$470
M \$587

Step 3. Trim Finish
BNS brushed nickel +\$0

Nelson™ Saucer Crisscross Bubble H763C
Pendant



Product Information

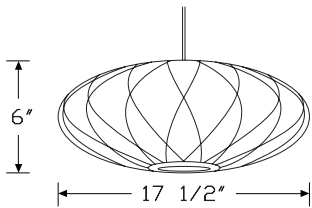
Description

The Nelson™ Saucer Crisscross Bubble Pendant is available in 2 sizes. Each lamp comes with a 5 1/4" brushed, nickel-plated steel ceiling plate and a 10' cord. Bulb not included. 150W/120V for medium saucers; 60W/120V for small saucers. UL listed.

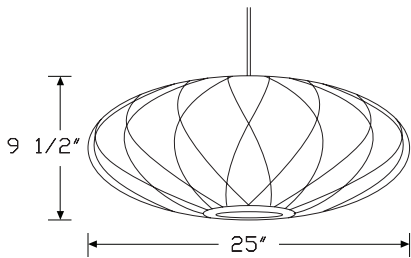
Notes

UL rated for bulbs up to 150 watts; small saucer 60W/120V and UL rated for bulbs up to 60 watts.

Dimensions



Small



Medium

Specification Information

Step 1.

H763CC

Step 2. Size

- S** small
- M** medium

Prices for Steps 1-2.

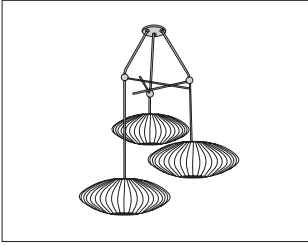
H763CC S	\$470
M	\$587

Step 3. Trim Finish

BNS brushed nickel	+\$0
---------------------------	------

Nelson™ Triple Bubble Lamp
Fixture

B-3-7



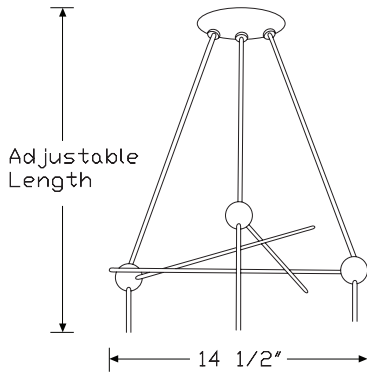
HermanMiller Collection—Lighting

Product Information

Description
This lamp fixture comes with a 5 1/4" brushed, nickel-plated steel ceiling plate for mounting and metal rods with walnut spheres spaced 14 1/2" apart. Nelson™ Bubble lamps with cord are sold separately.

Notes
For use with this fixture, Bubble Lamp pendants should be 19" in diameter or smaller.

Dimensions



Specification Information

Step 1.

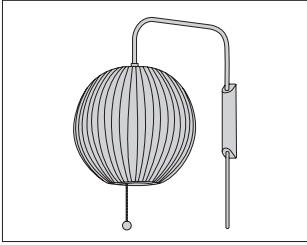
B-3-740 \$343

Step 2. Finish

BNS brushed nickel +\$0

Nelson™ Ball Wall Sconce

H761S



Product Information

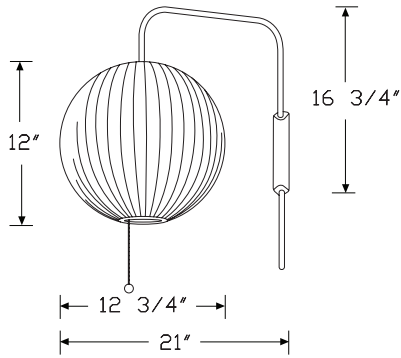
Description

The Nelson™ Ball Wall Sconce has a 2"-thick solid walnut wall mount and a brushed-nickel steel arm that extends out approximately 14". The arm has a swivel hinge and an adjustable 12' plug-in cord with a counterweight that allows for height adjustments. The sconce swivels left-to-right and adjusts vertically without changing its wall-mount position. Ships with bulb included. 150W/120V. UL listed.

Notes

UL rated for bulbs up to 150 watts.

Dimensions



Specification Information

Step 1.

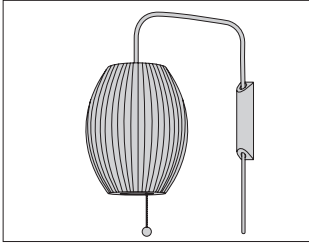
H761SC \$607

Step 2. Bracket Finish

WAL walnut +\$0

Step 3. Arm Finish

BNS brushed nickel +\$0



HermanMiller Collection—Lighting

Product Information

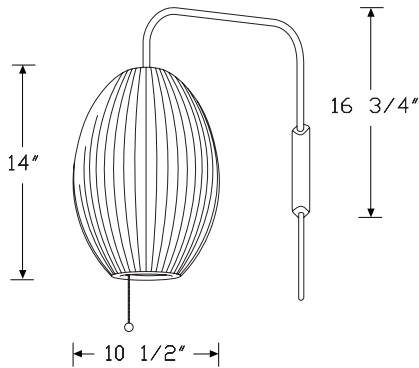
Description

The Nelson™ Cigar Wall Sconce has a 2"-thick solid walnut wall mount and a brushed-nickel steel arm that extends out approximately 14". The arm has a swivel hinge and an adjustable 12' plug-in cord with a counterweight that allows for height adjustments. The sconce swivels left-to-right and adjusts vertically without changing its wall-mount position. Ships with bulb included. 150W/120V. UL listed.

Notes

UL rated for bulbs up to 150 watts.

Dimensions



Specification Information

Step 1.

H762SC \$607

Step 2. Bracket Finish

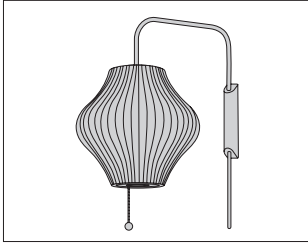
WAL walnut +\$0

Step 3. Arm Finish

BNS brushed nickel +\$0

Nelson™ Pear Wall Sconce

H770S



Product Information

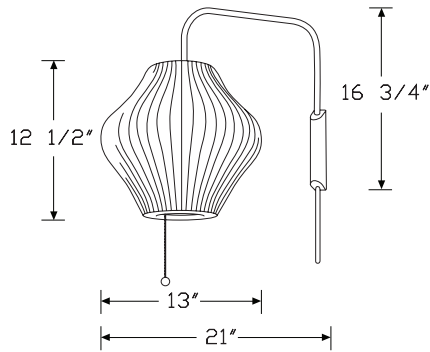
Description

The Nelson™ Pear Wall Sconce has a 2"-thick solid walnut wall mount and a brushed-nickel steel arm that extends out approximately 14". The arm has a swivel hinge and an adjustable 12' plug-in cord with a counterweight that allows for height adjustments. The sconce swivels left-to-right and adjusts vertically without changing its wall-mount position. Ships with bulb included. 150W/120V. UL listed.

Notes

UL rated for bulbs up to 150 watts.

Dimensions



Specification Information

Step 1.

H770SC \$607

Step 2. Bracket Finish

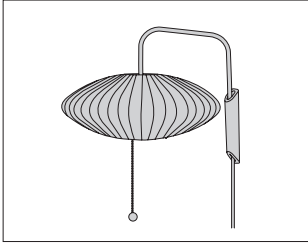
WAL walnut +\$0

Step 3. Arm Finish

BNS brushed nickel +\$0

Nelson™ Saucer Wall Sconce

H763S



HermanMiller Collection—Lighting

Product Information

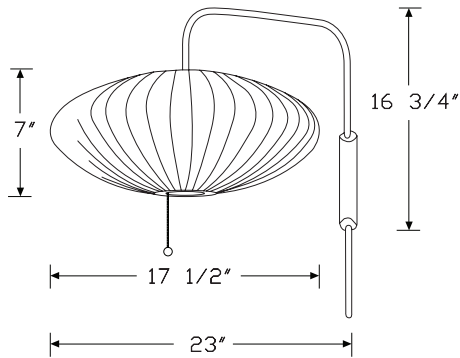
Description

The Nelson™ Saucer Wall Sconce has a 2"-thick solid walnut wall mount and a brushed-nickel steel arm that extends out approximately 14". The arm has a swivel hinge and an adjustable 12' plug-in cord with a counterweight that allows for height adjustments. The sconce swivels left-to-right and adjusts vertically without changing its wall-mount position. Ships with bulb included. 60W/120V. UL listed.

Notes

UL rated for bulbs up to 60 watts.

Dimensions



Specification Information

Step 1.

H763SC \$607

Step 2. Bracket Finish

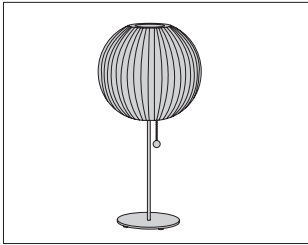
WAL walnut +\$0

Step 3. Arm Finish

BNS brushed nickel +\$0

Nelson™ Ball Lotus Table Lamp

H761L

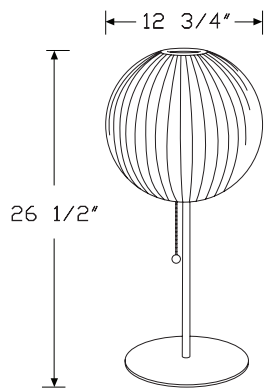


Product Information

Description

The Nelson™ Ball Lotus Table Lamp has an 8"-diameter brushed nickel-plated steel base available with or without a walnut cover. The lamp has an on/off pull chain with a solid walnut end. Cord is 86" long. 150W/120V. Ships with bulb included.

Dimensions



Specification Information

Step 1.

H761LT A

Step 2. Size

S small A

Prices for Steps 1-2.

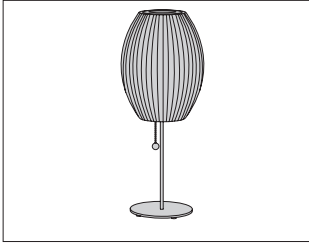
H761LT S \$572

Step 3. Base Finish

BNS brushed nickel A +\$0

WAL walnut A +\$100

Nelson™ Cigar Lotus Table Lamp H762L

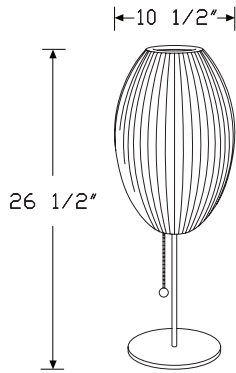


HermanMiller Collection—Lighting

Product Information

Description
 The Nelson™ Cigar Lotus Table Lamp has an 8"-diameter brushed nickel-plated steel base available with or without a walnut cover. The lamp has an on/off pull chain with a solid walnut end. Cord is 86" long. 150W/120V. Ships with bulb included.

Dimensions



Specification Information

Step 1.

H762LT A

Step 2. Size

S small A

Prices for Steps 1-2.

H762LT S \$572

Step 3. Base Finish

BNS brushed nickel A +\$0

WAL walnut A +\$100

Nelson™ Pear Lotus Table Lamp H770L

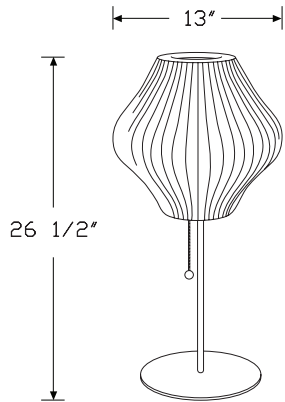


Product Information

Description

The Nelson™ Pear Lotus Table Lamp has an 8"-diameter brushed nickel-plated steel base available with or without a walnut cover. The lamp has an on/off pull chain with a solid walnut end. Cord is 86" long. 150W/120V. Ships with bulb included.

Dimensions



Specification Information

Step 1.

H770LT A

Step 2. Size

S small A

Prices for Steps 1-2.

H770LT S \$572

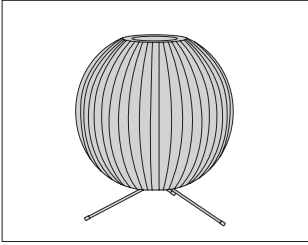
Step 3. Base Finish

BNS brushed nickel A +\$0

WAL walnut A +\$100

Nelson™ Ball Tripod Lamp

H761T



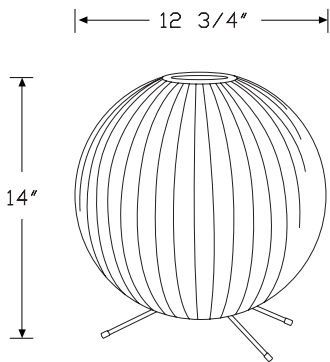
HermanMiller Collection—Lighting

Product Information

Description
 The Nelson™ Ball Tripod Lamp has a durable, brushed nickel-plated steel stand, an on/off switch, and a 90" cord. Ships with bulb included. 150W/120V. UL listed.

Notes
 UL rated for bulbs up to 150 watts.

Dimensions



Specification Information

Step 1.

H761T

Step 2. Size

S small

Prices for Steps 1-2.

H761T S \$521

Step 3. Base Finish

BNS brushed nickel +\$0

Nelson™ Cigar Tripod Lamp

H762T



Product Information

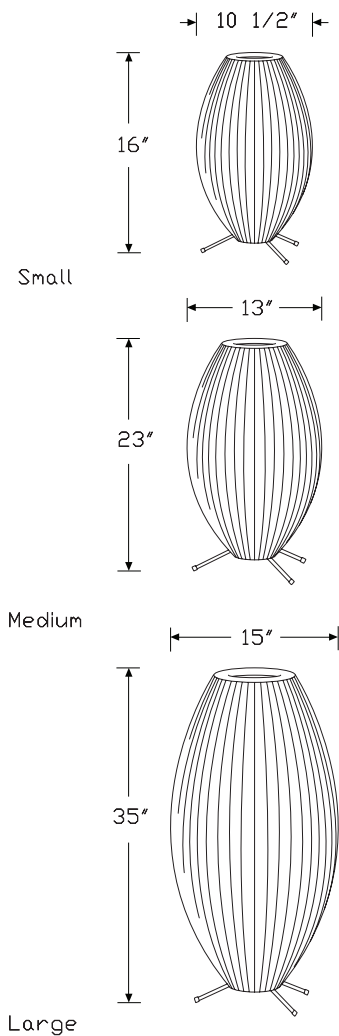
Description

The Nelson™ Cigar Tripod Lamp is available in 3 sizes. It has a durable, brushed nickel-plated steel stand, an on/off switch, and a 90" cord. Ships with bulb included. 150W/120V. UL listed.

Notes

UL rated for bulbs up to 150 watts.

Dimensions



Specification Information

Step 1.

H762T

Step 2. Size

- S** small
- M** medium
- L** large

Prices for Steps 1-2.

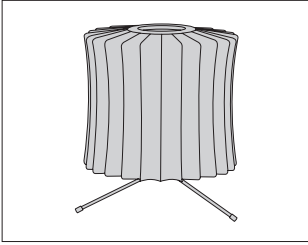
H762T S	\$521
M	\$638
L	\$720

Step 3. Base Finish

BNS brushed nickel	+ \$0
---------------------------	-------

Nelson™ Lantern Tripod Lamp

H737T



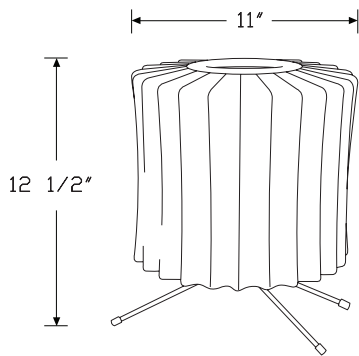
HermanMiller Collection—Lighting

Product Information

Description
 The Nelson™ Lantern Tripod Lamp has a durable, brushed nickel-plated steel stand, an on/off switch, and a 90" cord. Ships with bulb included. 150W/120V. UL listed.

Notes
 UL rated for bulbs up to 150 watts.

Dimensions



Specification Information

Step 1.

H737T

Step 2. Size

S small

Prices for Steps 1-2.

H737T S \$521

Step 3. Base Finish

BNS brushed nickel +\$0

Nelson™ Pear Tripod Lamp

H770T



Product Information

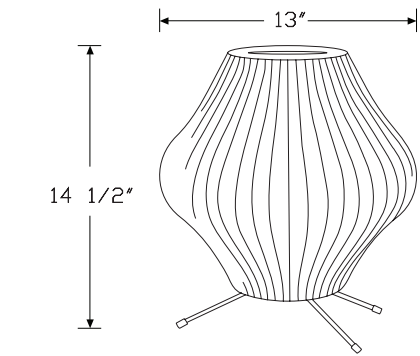
Description

The Nelson™ Pear Tripod Lamp is available in 2 sizes. It has a durable, brushed nickel-plated steel stand, an on/off switch, and a 90" cord. Ships with bulb included. 150W/120V. UL listed.

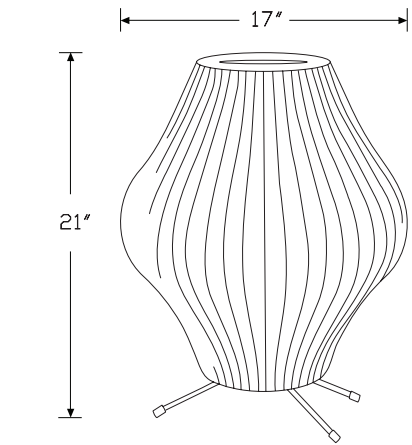
Notes

UL rated for bulbs up to 150 watts.

Dimensions



Small



Medium

Specification Information

Step 1.

H770T

Step 2. Size

- S** small
- M** medium

Prices for Steps 1-2.

H770T S	\$521
M	\$638

Step 3. Base Finish

BNS brushed nickel	+ \$0
---------------------------	-------

Nelson™ Cigar Lotus Floor Lamp H762L

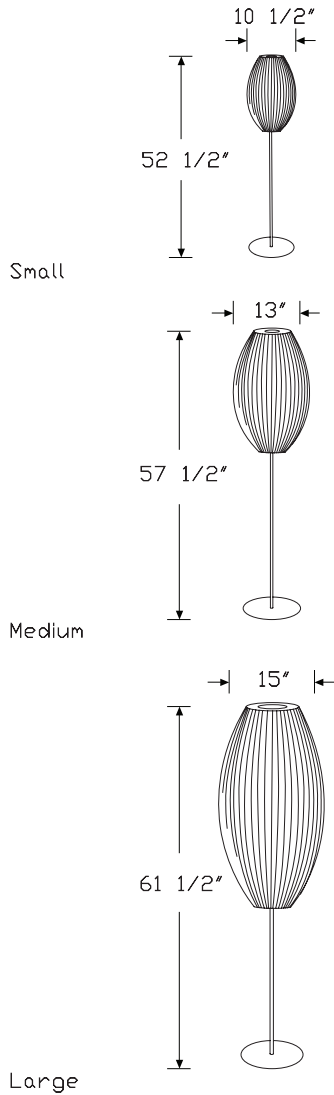


HermanMiller Collection—Lighting

Product Information

Description
 The Nelson™ Cigar Lotus Floor Lamp is available in 3 sizes. It has a 10"-diameter brushed nickel-plated steel stand with a 6½-pound base for stability, available with or without a walnut cover. The lamp has an on/off floor switch and a 9' cord. Ships with bulb included. 150W/120V.

Dimensions



Specification Information

Step 1.

H762LF

Step 2. Size

S small

M medium

L large

Prices for Steps 1-2.

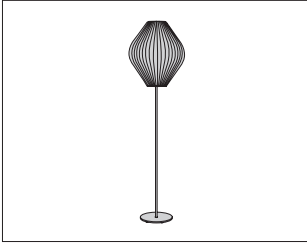
H762LF S	\$663
M	\$791
L	\$867

Step 3. Base Finish

BNS brushed nickel <input type="checkbox"/>	+\$0
WAL walnut <input type="checkbox"/>	+\$100

Nelson™ Pear Lotus Floor Lamp

H770L

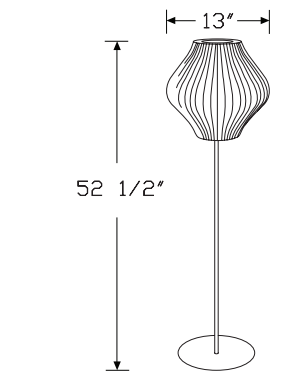


Product Information

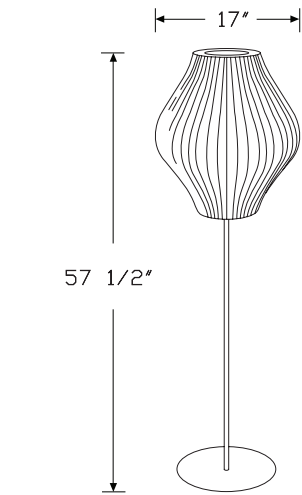
Description

The Nelson™ Pear Lotus Floor Lamp is available in 2 sizes. It has a 10"-diameter brushed nickel-plated steel stand with a 6½-pound base for stability, available with or without a walnut cover. Base is brushed nickel and comes with or without a walnut cover. The lamp has an on/off floor switch and a 9' cord. Ships with bulb included. 150W/120V.

Dimensions



Small



Medium

Specification Information

Step 1.

H770LF A

Step 2. Size

S small A

M medium A

Prices for Steps 1-2.

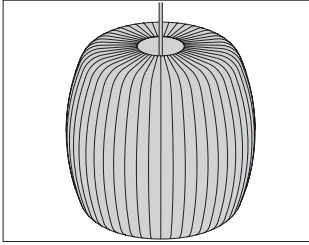
H770LF S	\$663
M	\$791

Step 3. Base Finish

BNS brushed nickel <input type="checkbox"/> A	+\$0
WAL walnut <input type="checkbox"/> A	+\$100

Nelson™ Roll Bubble Pendant

H764M



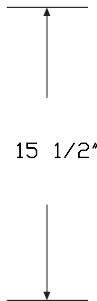
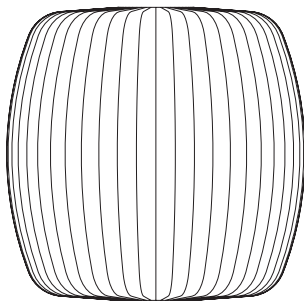
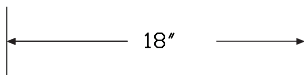
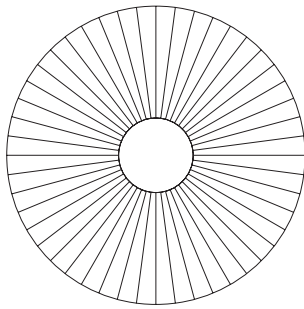
HermanMiller Collection—Lighting

Product Information

Description
 The Nelson™ Roll Bubble Pendant comes with a 5 1/4" brushed, nickel-plated steel ceiling plate and a 10' cord. Bulb not included. 150W/120V. UL listed.

Notes
 UL rated for bulbs up to 150 watts.

Dimensions



Specification Information

Step 1.

H764

Step 2. Size

M medium

Prices for Steps 1-2.

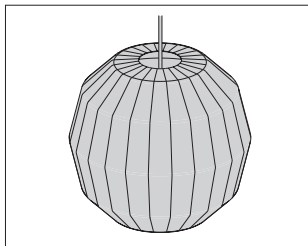
H764M \$587

Step 3. Trim Finish

BNS brushed nickel +\$0

Nelson™ Angled Bubble Pendant

H769L
H769M
H769S



Product Information

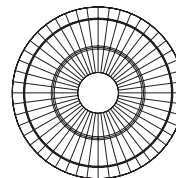
Description

The Nelson™ Angled Sphere Bubble Pendant is available in 3 sizes. Each lamp comes with a 5³/₄" brushed, nickel-plated steel ceiling plate and a 10' cord. Bulb not included. 150W/120V. UL listed.

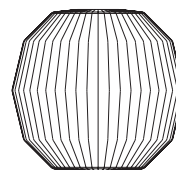
Notes

UL rated for bulbs up to 150 watts.

Dimensions



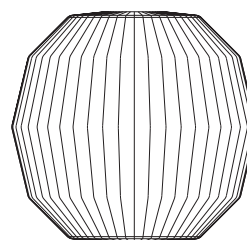
14"



9 1/2"

Small

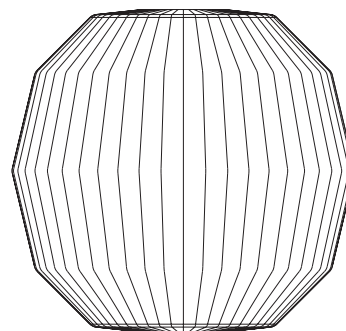
20"



15"

Medium

28"



22"

Large

Nelson™ Angled Bubble Pendant

continued

HermanMiller Collection—Lighting

Specification Information

Step 1.

H769

Step 2. Size

S small

M medium

L large

Prices for Steps 1-2.

H769S \$469

H769M \$587

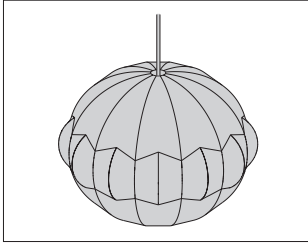
H769L \$663

Step 3. Trim Finish

BNS brushed nickel +\$0

Nelson™ Orbit Bubble Pendant

H771M
H771S



Product Information

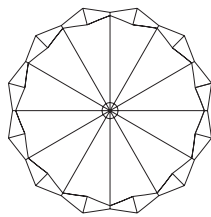
Description

The Nelson™ Orbit Bubble Pendant is available in 2 sizes. Each lamp comes with a 5 1/4" brushed, nickel-plated steel ceiling plate and a 10' cord. Bulb not included. 150W/120V. UL listed.

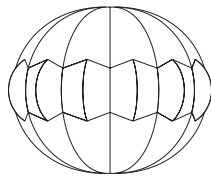
Notes

UL rated for bulbs up to 150 watts.

Dimensions



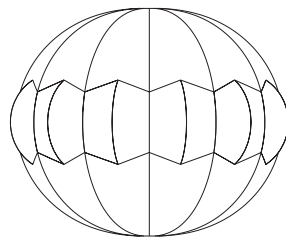
14"



Small

9.5"

20"



Medium

16"

Specification Information

Step 1.

H771

Step 2. Size

- S** small
- M** medium

Prices for Steps 1-2.

H771S	\$469
H771M	\$587

Step 3. Trim Finish

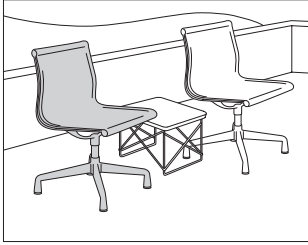
BNS brushed nickel	+\$0
---------------------------	------

Seating

Tables

Eames® Aluminum Group Side
Chair Outdoor

EA506
EA508

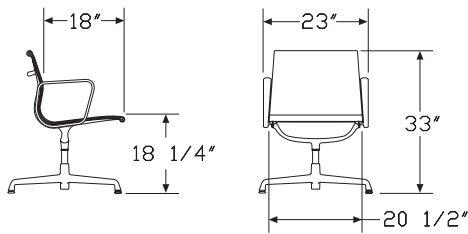


Product Information

Description

This outdoor low back side chair has a lightweight aluminum frame and suspended mesh upholstery. It has a 4-star base with adjustable glides. The chair is available with or without arms.

Dimensions



Specification Information

Step 1.

EA50 A

Step 2. Arms

6 no arms A

8 arms A

Step 3. Swivel

S swivel base A

F fixed base, no swivel A

Prices for Steps 1-3.

EA506 S	\$1290
F	\$1373

EA508 S	\$1706
F	\$1789

Step 4. Base/Frame Finish

BK black <input type="checkbox"/> A	+\$91
91 white <input type="checkbox"/> A	+\$91

Step 5. Fabric

Price Category 6	+\$185
------------------	--------

Eames® Wire Chair Outdoor

DKQR.
DKQX.



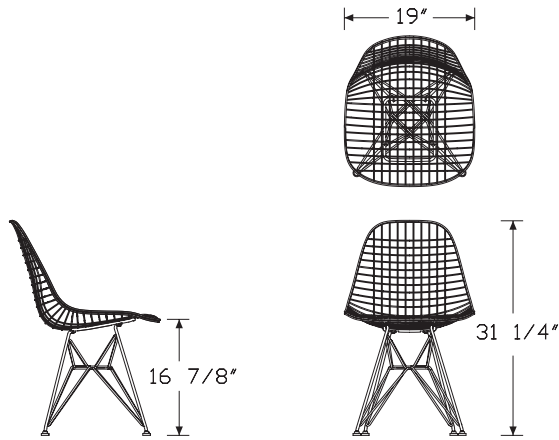
HermanMiller Collection—Outdoor Seating

Product Information

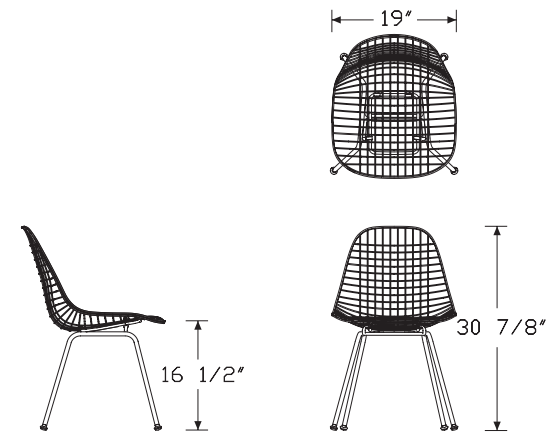
Description

This outdoor chair has a wire shell with wire base or 4-leg base. Finish is white or black. Chair comes with standard outdoor glides.

Dimensions



Wire Base



4-Leg Base

Specification Information

Step 1.

DKQ A

Step 2. Base

R.0 wire base A

X.0 4 leg base A

Prices for Steps 1-2.

DKQR.0	\$900
DKQX.0	\$865

Step 3. Seat Frame/Leg Finish

91 white <input type="checkbox"/> A	+\$0
BK black <input type="checkbox"/> A	+\$0

Step 4. Glide Option

E8 standard glide <input type="checkbox"/> A	+\$0
---	------

Eames® Wire Stool Outdoor

DKHQBX
DKHQCX

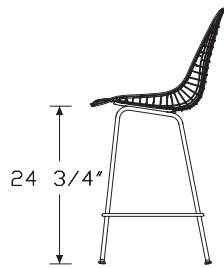
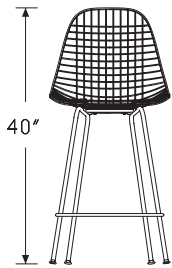
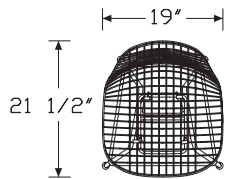


Product Information

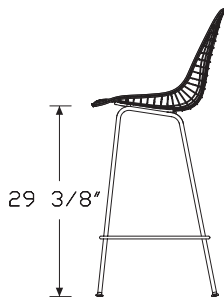
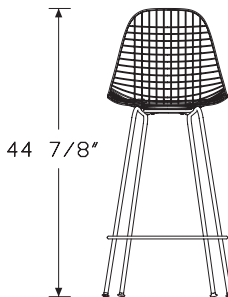
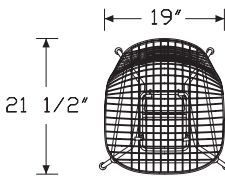
Description

This outdoor stool has a wire shell and is available in bar height or counter height. Finish is white or black. Stool comes with standard outdoor glides.

Dimensions



Counter Height



Bar Height

Specification Information

Step 1.

DKHQ A

Step 2. Base Height

BX. bar height stool A

CX. counter height stool A

Prices for Steps 1-2.

DKHQBX. \$1150
DKHQCX. \$1130

Step 3. Seat Frame/Leg Finish

91 white A +\$0

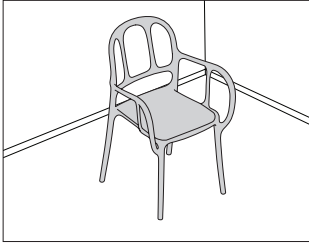
BK black A +\$0

Step 4. Glide Option

E8 standard glide A +\$0

Mila Chair

XXSD2



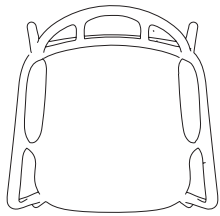
HermanMiller Collection—Outdoor Seating

Product Information

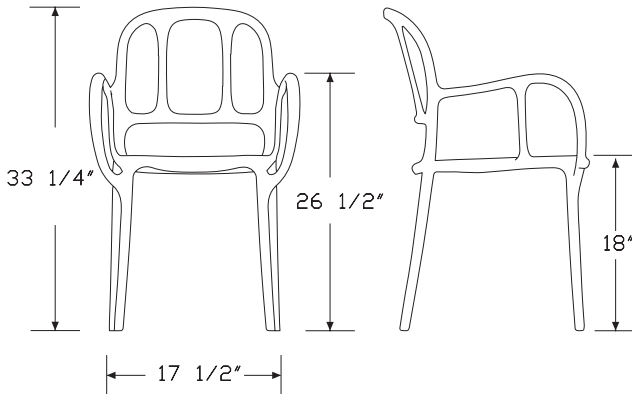
Description

This stacking plastic chair is suitable for indoor or outdoor use. Stacks up to 6 high. Package contains 2 chairs.

Dimensions



← 21 3/4" →



Specification Information

Step 1.

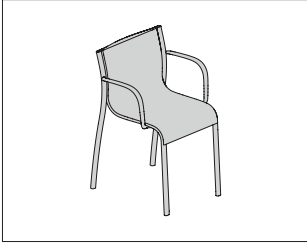
XXSD2100 A \$778

Step 2. Finish

- 1484C** red A +\$0
- 1556C** dark green A +\$0
- 1666C** yellow A +\$0
- 1733C** beige A +\$0
- 1738C** white +\$0
- 1769C** black +\$0

Paso Doble Chair Outdoor

MGP10.

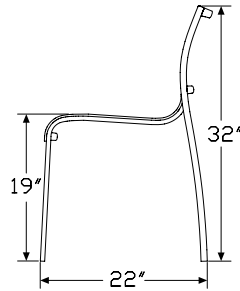
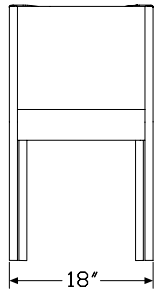
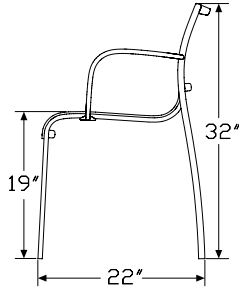
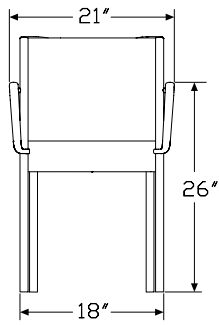


Product Information

Description

This outdoor stacking chair has an aluminum frame and is available with or without arms. The arms and crosspieces come in die-cast aluminum. Chairs can stack up to 5 high. Package contains 2 chairs.

Dimensions



Specification Information

Step 1.

MGP10. A

Step 2. Arms

N no arms A

A arms A

Prices for Steps 1-2.

MGP10.N \$1315

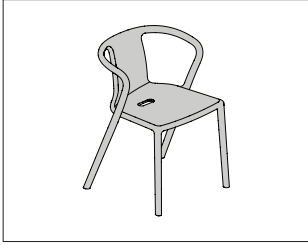
A \$1815

Step 3. Chair Color

YKB black A +\$0

Air-Chair

MGA00.



HermanMiller Collection—Outdoor Seating

Product Information

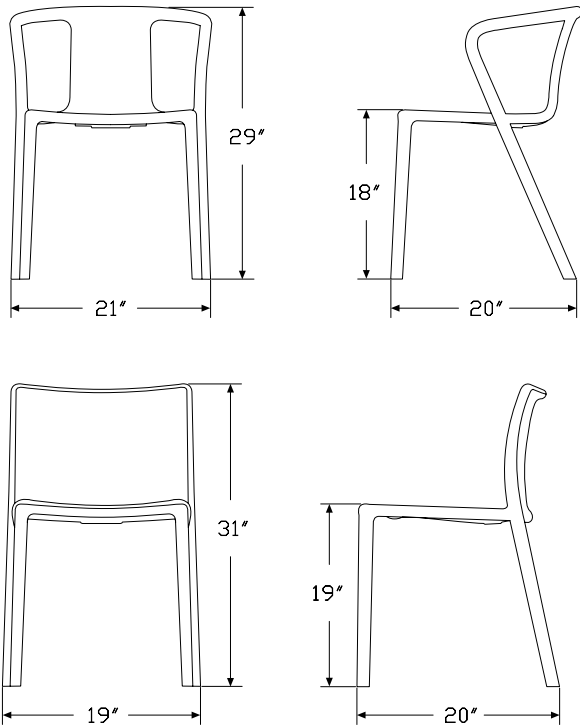
Description

This stacking chair is available with or without arms and is made from polypropylene with glass fibre added. Chairs can stack up to 10 high. Package contains 4 chairs.

Notes

This chair is suitable for outdoor use.

Dimensions



Specification Information

Step 1.

MGA00.

Step 2. Arms

- N** no arms
- A** arms

Prices for Steps 1-2.

MGA00.N	\$773
A	\$858

Step 3. Finish

For no arms (N)

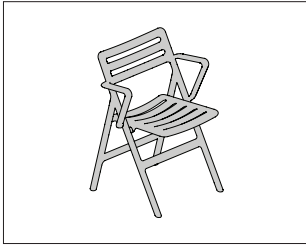
YBB beige <input type="checkbox"/>	+\$0
YBC black <input type="checkbox"/>	+\$0
YBH green <input type="checkbox"/>	+\$0
YBM orange <input type="checkbox"/>	+\$0
YBP white	+\$0
PWH pure white <input type="checkbox"/>	+\$0

For arms (A)

YBB beige <input type="checkbox"/>	+\$0
YBH green <input type="checkbox"/>	+\$0
YBJ grey anthracite <input type="checkbox"/>	+\$0
YBM orange <input type="checkbox"/>	+\$0
YBP white	+\$0
PWH pure white <input type="checkbox"/>	+\$0

Air-Folding Chair

MGA01.



Product Information

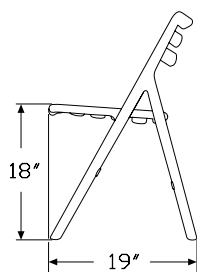
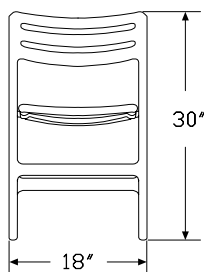
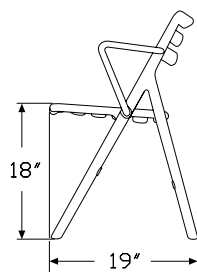
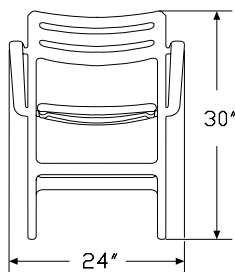
Description

This folding chair is made from polypropylene with glass fibre added. It is available with or without arms. Package contains 2 chairs.

Notes

This chair is suitable for outdoor use.

Dimensions



Specification Information

Step 1.

MGA01.

Step 2. Arms

- N** no arms
- A** arms A

Prices for Steps 1-2.

MGA01.N	\$428
A	\$474

Step 3. Finish

For no arms (N)

YBH green <input type="checkbox"/> A	+\$0
YBM orange <input type="checkbox"/> A	+\$0
YBP white	+\$0

For arms (A)

YBP white	+\$0
------------------	------

Chair_One Stacking Base

MGE00.



HermanMiller Collection—Outdoor Seating

Product Information

Description

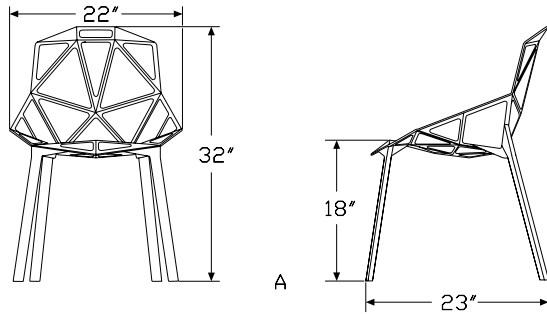
This chair comes with a four-leg base. Chairs can stack up to 8 high. Package contains 2 chairs.

Notes

Chairs with painted aluminum seat and legs or painted aluminum seat/ polished aluminum legs are suitable for outdoor use.

Chairs with polished aluminum seat and legs (AL) are NOT suitable for outdoor use.

Dimensions



Specification Information

Step 1.

MGE00.A [A]

Step 2. Seat/Leg Material

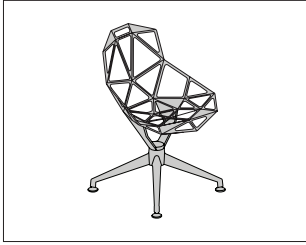
PA painted aluminum seat and legs [A]

Prices for Steps 1-2.

MGE00.A PA \$1150

Step 3. Seat Finish

- YHB** black [A] +\$0
- YHP** white [A] +\$0
- HAA** ADAPTA grey [A] +\$240
- HAB** ADAPTA white [A] +\$240
- HAC** ADAPTA grey/green [A] +\$240
- HAD** ADAPTA blue [A] +\$240



Product Information

Description

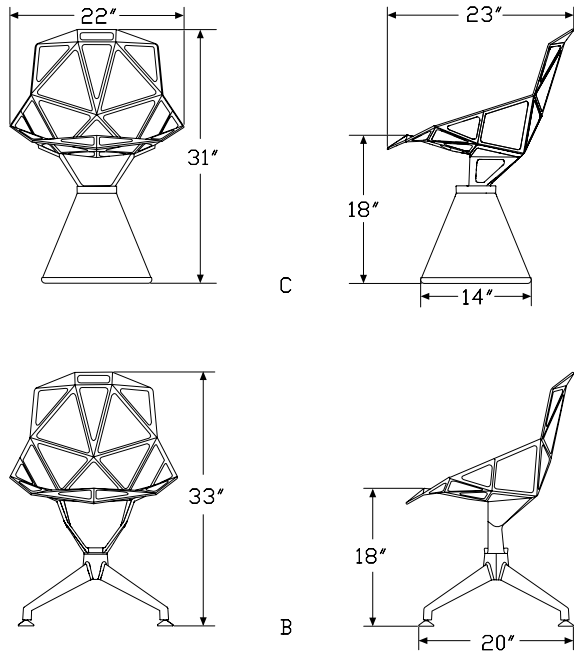
This chair is available with a four-star or concrete base, with or without swivel.

Notes

Chairs with painted aluminum seat and legs (PA), painted aluminum seat and concrete base (PC) or painted aluminum seat and black concrete base (PE) are suitable for outdoor use.

Chairs with polished aluminum seat and legs (AL) or polished aluminum with concrete base (PD) are NOT suitable for outdoor use.

Dimensions



Specification Information

Step 1.

MGE00. [A]

Step 2. Base

- B** 4-star base [A]
- C** concrete base [A]
- D** 4-star base, swivel [A]
- E** concrete base, swivel [A]
- F** black concrete base [A]
- G** black concrete, swivel [A]

Step 3. Seat/Leg Material

For 4-star base (B) or 4-star base, swivel (D)

PA painted aluminum seat and legs [A]

For concrete base (C) or concrete base, swivel (E)

PC painted aluminum seat/natural concrete base [A]

For black concrete base (F) or black concrete, swivel (G)

PE painted aluminum seat/black concrete base [A]

Prices for Steps 1-3.

	PA	PC	PE
MGE00.B	\$730	—	—
C	—	\$870	—
D	\$730	—	—
E	—	\$1130	—
F	—	—	\$870
G	—	—	\$1130

Step 4. Seat Finish

For 4-star base (B) or 4-star base, swivel (D) with painted aluminum seat and legs (PA)

YHB black [A]	+\$0
YHP white [A]	+\$0
HAA ADAPTA grey [A]	+\$240
HAB ADAPTA white [A]	+\$240
HAC ADAPTA grey/green [A]	+\$240
HAD ADAPTA blue [A]	+\$240

For concrete base (C) or concrete base, swivel (E) with painted aluminum seat/natural concrete base (PC)

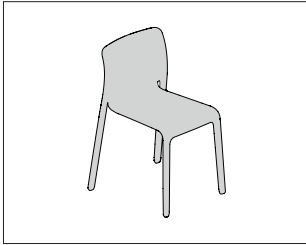
YHB	black	<input type="checkbox"/> A	+\$0
YHM	red	<input type="checkbox"/> A	+\$0
YHP	white	<input type="checkbox"/> A	+\$0
HAA	ADAPTA grey	<input type="checkbox"/> A	+\$200
HAB	ADAPTA white	<input type="checkbox"/> A	+\$200
HAC	ADAPTA grey/green	<input type="checkbox"/> A	+\$200
HAD	ADAPTA blue	<input type="checkbox"/> A	+\$200

For black concrete base (F) or black concrete, swivel (G) with painted aluminum seat/black concrete base (PE)

YHB	black	<input type="checkbox"/> A	+\$0
------------	-------	----------------------------	------

Chair First

MGF00.



Product Information

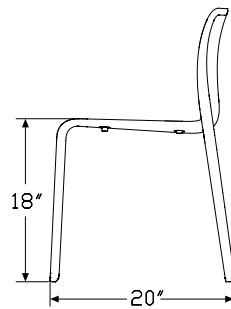
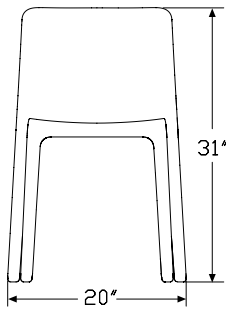
Description

This stacking chair is made from polypropylene with glass fibre added. Chairs can stack up to 10 high. Package contains 4 chairs.

Notes

Chair is suitable for outdoor use.

Dimensions



Specification Information

Step 1.

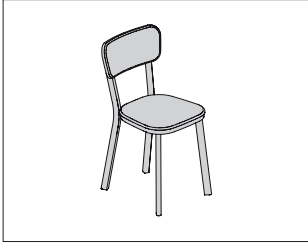
MGF00. A \$1091

Step 2. Finish

YGB beige A +\$0
YGC black A +\$0
YGH olive green A +\$0
YGM white A +\$0

Deja-Vu Chair

MGD00.



HermanMiller Collection—Outdoor Seating

Product Information

Description

This chair is available in polished or painted aluminum. Painted version is suitable for outdoor use.

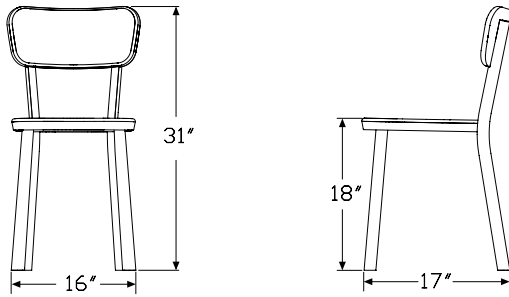
Notes

Seat and inner back material is die-cast aluminum. Legs are extruded aluminum.

Painted aluminum (PA) finish is suitable for outdoor use.

Polished aluminum (AL) finish is NOT suitable for outdoor use.

Dimensions



Specification Information

Step 1.

MGD00. A

Step 2. Finish

AL polished aluminum A

PA painted aluminum

Prices for Steps 1-2.

MGD00.AL	\$755
PA	\$809

Step 3. Leg/Seat/Back Finish

For polished aluminum (AL)

YFD polished aluminum A +\$0

For painted aluminum (PA)

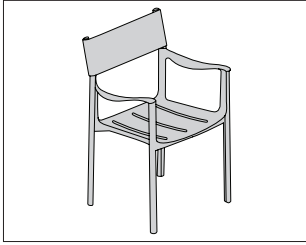
YFB black A +\$0

YLT red purple A +\$0

YLV sand beige A +\$0

Venice Chair

MGU00.



Product Information

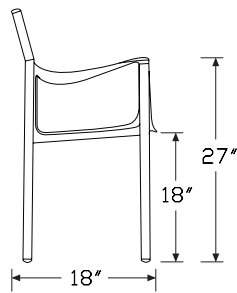
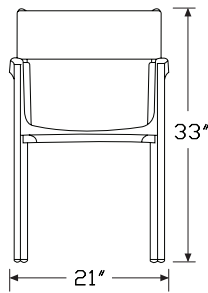
Description

This stacking chair with arms has a seat of die-cast aluminum, polished or painted in polyester powder. Legs are extruded aluminum, polished or painted in polyester powder. Back is thermoplastic rubber or leather. Chairs stack up to 6 high. Painted frame is suitable for outdoor use. Sold in sets of 2 only.

Notes

Polished (YCD) frame is NOT suitable for outdoor use.

Dimensions



Specification Information

Step 1.

MGU00. A \$1431

Step 2. Frame Finish

YNG black A +\$0

YCD polished A +\$1300

Step 3. Seat Finish

For black (YNG)

YBC black A +\$0

YMP grey A +\$0

YBH green A +\$0

YMN light blue A +\$0

YBG fuchsia A +\$0

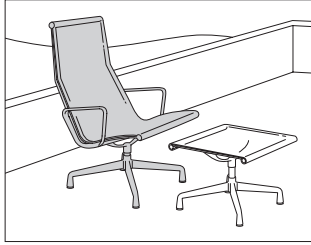
YBM orange A +\$0

For polished (YCD)

YHC black leather A +\$0

YHK natural leather A +\$0

Eames® Aluminum Group Lounge Chair Outdoor EA516



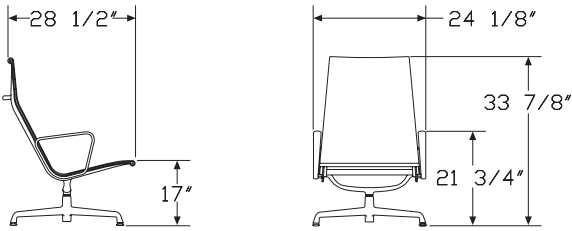
HermanMiller Collection—Outdoor Seating

Product Information

Description

This outdoor lounge chair has a lightweight aluminum frame and suspended mesh upholstery. It has a 4-star swiveling base with adjustable glides.

Dimensions



Specification Information

Step 1.

EA516 A \$1976

Step 2. Base/Frame Finish

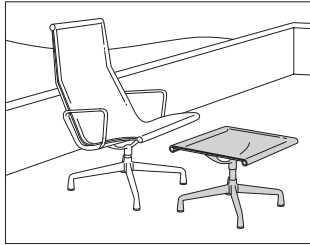
BK black A +\$140
91 white A +\$140

Step 3. Fabric

Price Category 6 +\$244

Eames® Aluminum Group
Ottoman Outdoor

EA523

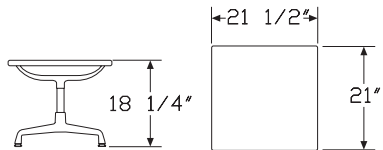


Product Information

Description

This outdoor ottoman has a lightweight aluminum frame and suspended mesh upholstery. It has a 4-star base with adjustable glides.

Dimensions



Specification Information

Step 1.

EA523 A \$947

Step 2. Base/Frame Finish

BK black A +\$72

91 white A +\$72

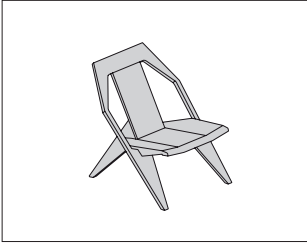
Step 3. Fabric

Price Category 6 +\$129

Herman Miller Collection—Outdoor Seating

Medici Chair Outdoor

MGM01.



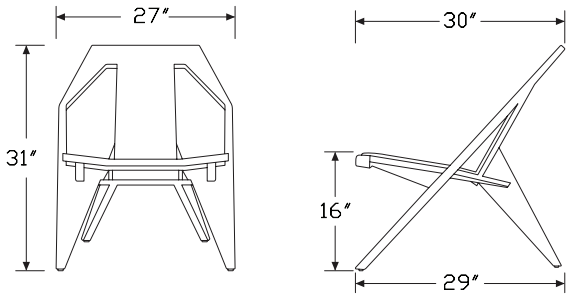
HermanMiller Collection—Outdoor Seating

Product Information

Description
This solid wood chair with armrests is available in natural thermo oiled finish. Suitable for outdoor use.

Notes
Product should be oiled at least once a year to maintain finish quality. Refer to care and maintenance instructions for applying oil based finishes.

Dimensions



Specification Information

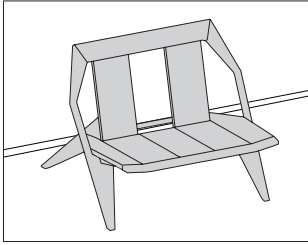
Step 1.
MGM01.

Step 3. Frame Finish
ZQK natural thermo oiled

Prices for Steps 1-3.
MGM01.ZQK \$1895

Medici Bench Outdoor

MGM21.



Product Information

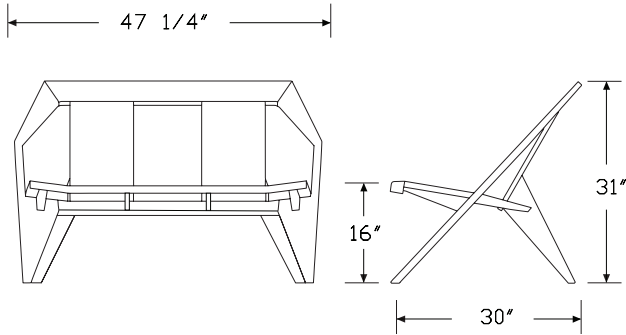
Description

This solid wood bench comes in natural thermo oiled finish. Suitable for outdoor use.

Notes

Product should be oiled at least once per year to maintain finish quality. Refer to care and maintenance instructions for applying oil based finishes.

Dimensions



Specification Information

Step 1.

MGM21. [A]

Step 2. Frame Finish

ZQK natural thermo oiled [A]

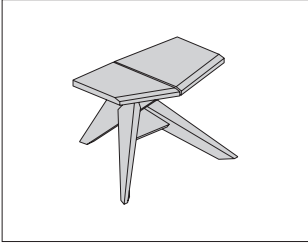
Prices for Steps 1-2.

MGM21.ZQK

\$3795

Medici Ottoman Outdoor

MGV21.



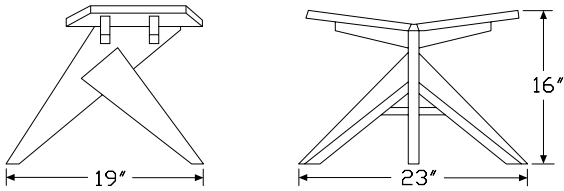
HermanMiller Collection—Outdoor Seating

Product Information

Description
This solid wood stool is available in natural thermo oiled finish. Suitable for outdoor use.

Notes
Product should be oiled at least once a year to maintain finish quality. Refer to care and maintenance instructions for applying oil based finishes.

Dimensions



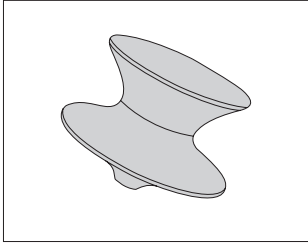
Specification Information

Step 1.
MGV21. [A] \$1012

Step 2. Frame Finish
ZQK natural thermo oiled [A] +\$0

Spun Rotating Chair

MGN00.

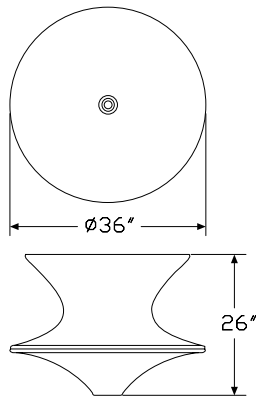


Product Information

Description

This rotating low chair is made from polyethylene and is suitable for outdoor use.

Dimensions



Specification Information

Step 1.

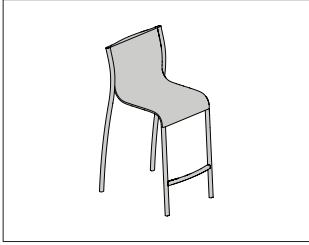
MGN00. \$825

Step 2. Finish

YLB	dark purple <input type="checkbox"/> A	+\$0
YLD	red <input type="checkbox"/> A	+\$0
YLG	white <input type="checkbox"/> A	+\$0
YLH	grey anthracite <input type="checkbox"/> A	+\$0

Paso Doble Stool Outdoor

MGP30.



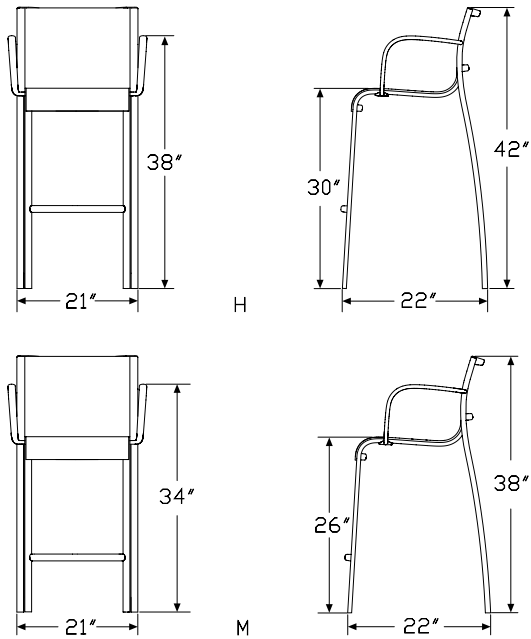
HermanMiller Collection—Outdoor Seating

Product Information

Description

This outdoor stacking bar stool comes in high and medium height and is available with or without arms. The frame is aluminum, and the arms, crosspieces, and footrest are die-cast aluminum. Bar stools can stack up to 6 high. Package contains 2 bar stools.

Dimensions



Specification Information

Step 1.

MGP30. A

Step 2. Height

H high height A

M medium height A

Step 3. Arms

N no arms A

A arms A

Prices for Steps 1-3.

	N	A
MGP30.H	\$1531	2028
M	\$1482	1966

Step 4. Stool Color

YKB black A + \$0



Product Information

Description

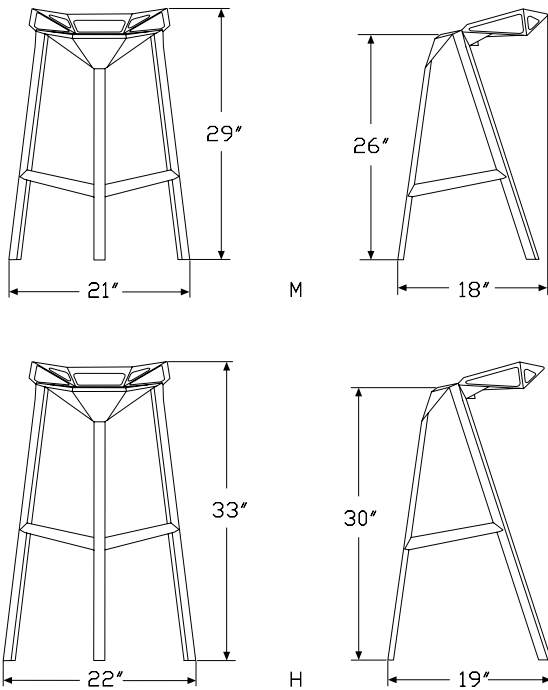
This bar stool comes in a high and medium height. The seat and leg finishes available are painted aluminum, polished aluminum and anodized aluminum black. Bar stools can stack up to 4 high. Package contains 2 bar stools.

Notes

Stool is flame retardant.

Polished aluminum (AL) finish is NOT suitable for outdoor use.

Dimensions



Specification Information

Step 1.

MGE20. [A]

Step 2. Height

M medium height [A]

H high height [A]

Step 3. Seat/Leg Material

AM painted aluminum [A]

AB anodized aluminum black [A]

AL polished aluminum [A]

Prices for Steps 1-3.

	AM	AB	AL
MGE20.M	\$965	1017	1545
H	\$1028	1071	1609

Step 4. Seat/Leg Finish

For painted aluminum (AM)

YHM red [A]			+\$0
YHP white [A]			+\$0
HAA ADAPTA grey [A]			+\$240
HAB ADAPTA white [A]			+\$240
HAC ADAPTA grey/green [A]			+\$240
HAD ADAPTA blue [A]			+\$240

For anodized aluminum black (AB)

YHB black [A]			+\$0
----------------------	--	--	------

For anodized aluminum black (AB)

YHB black [A]			+\$0
----------------------	--	--	------

Deja-Vu Stool

MGD20.



HermanMiller Collection—Outdoor Seating

Product Information

Description

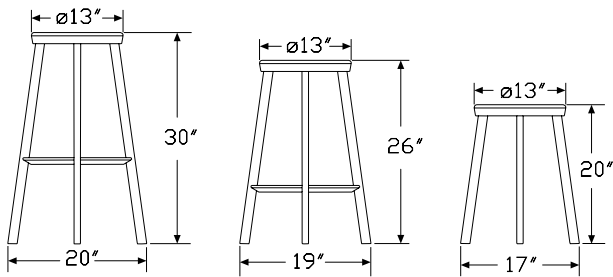
This bar stool is available in a high, medium, and low height. The seat and leg finishes are available in black, white, polished aluminum, red purple and sand beige.

Notes

Black (YFB) finish is suitable for outdoor use.

Polished aluminum (YFD) finish is NOT suitable for outdoor use.

Dimensions



Specification Information

Step 1.

MGD20. A

Step 2. Height

L low height A

M medium height

H high height

Prices for Steps 1-2.

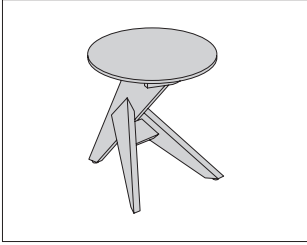
MGD20.L	\$389
M	\$511
H	\$533

Step 3. Seat/Leg Finish

		L	M	H
YFB	black <input type="checkbox"/> A	+\$0	0	0
YFD	polished aluminum <input type="checkbox"/> A	+\$101	102	92
YLT	red purple <input type="checkbox"/> A	+\$0	0	0
YLV	sand beige <input type="checkbox"/> A	+\$0	0	0

Medici Table Outdoor

MGV71.



Product Information

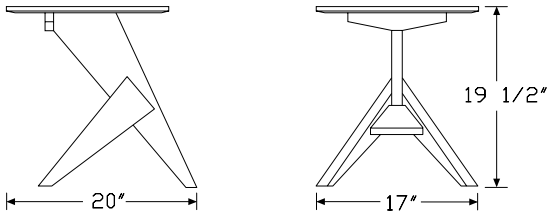
Description

This solid wood table is available in natural thermo oiled finish. Suitable for outdoor use.

Notes

Product should be oiled at least once a year to maintain finish quality. Refer to care and maintenance instructions for applying oil based finishes.

Dimensions



Specification Information

Step 1.

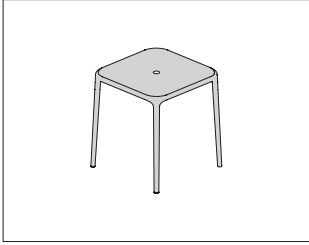
MGV71. [A] \$1078

Step 2. Frame Finish

ZQK natural thermo oiled [A] +\$0

Air-Table

MGA70.



HermanMiller Collection—Outdoor Tables

Product Information

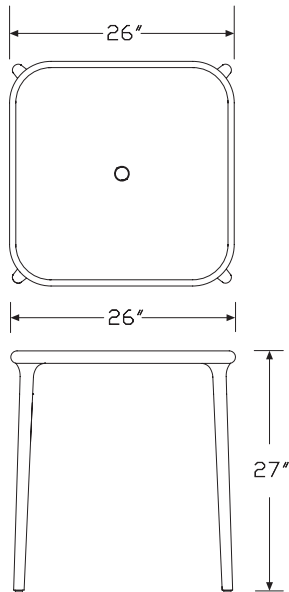
Description

This stacking and KD table is made from polypropylene with glass fibre added. It is available in a triangle or square shape. Tables can stack up to 5 high.

Notes

This table is suitable for outdoor use.

Dimensions



Specification Information

Step 1.

MGA70. A

Step 2. Shape

S square A

Prices for Steps 1-2.

MGA70.S \$420

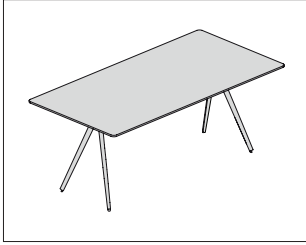
Step 3. Finish

YBB beige A +\$0

YBP white A +\$0

Baguette Table

MGG70.



Product Information

Description

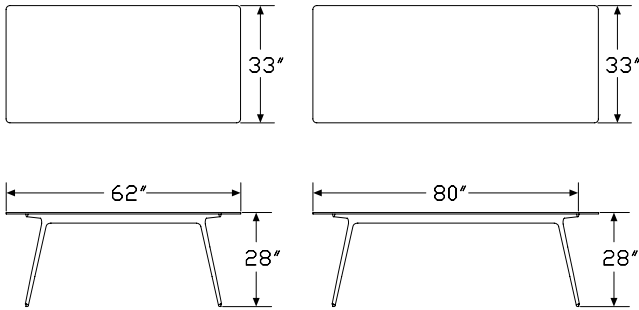
The legs of this table are cast aluminum, available polished or painted. The crosspiece is aluminum, also available polished or painted.

Notes

Painted (YCB, YCF) base with ardesia slate (YC) tables are suitable for outdoor use.

Other tops (WNT, YCB, YCF, YCC) and polished (YCD) base are NOT suitable for outdoor use.

Dimensions



Specification Information

Step 1.

MGG70.

Step 2. Size

3362 33" x 62" rectangular

3380 33" x 80" rectangular

Prices for Steps 1-2.

MGG70.3362	\$2108
3380	\$2313

Step 3. Frame Finish

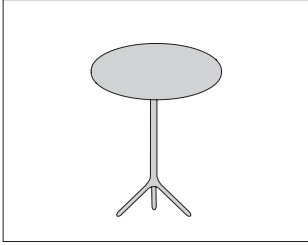
	3362	3380
YCB black <input type="checkbox"/>	+\$0	0
YCF white <input type="checkbox"/>	+\$0	0
YCD polished <input type="checkbox"/>	+\$350	351

Step 4. Top Finish

	3362	3380
WNT walnut <input type="checkbox"/>	+\$1682	2380
YCB black <input type="checkbox"/>	+\$0	0
YCF white <input type="checkbox"/>	+\$0	0
YCC extraclear glass <input type="checkbox"/>	+\$443	513
YCJ magis® ardesia slate <input type="checkbox"/>	+\$986	1022

Central Table

MGG80.



HermanMiller Collection—Outdoor Tables

Product Information

Description

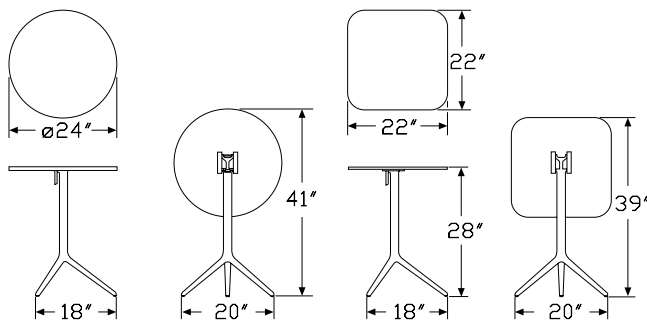
This table is available in a round or square shape. The frame is cast aluminum, available polished or painted.

Notes

For square table, polished aluminum frame is not available. Black or white finishes only.

Polished (YCD) option is NOT suitable for outdoor use.

Dimensions



Specification Information

Step 1.

MGG80. A

Step 2. Shape

R round A

S square A

Prices for Steps 1-2.

MGG80.R	\$1006
S	\$1006

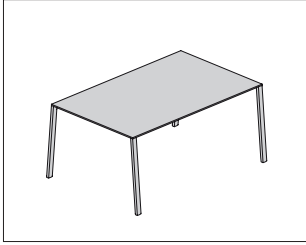
Step 3. Frame/Top Finish

For round (R)

YCB black <input type="checkbox"/> A	+\$0
YCF white <input type="checkbox"/> A	+\$91
YCD polished <input type="checkbox"/> A	+\$493

For square (S)

YCB black <input type="checkbox"/> A	+\$0
YCF white <input type="checkbox"/> A	+\$91



Product Information

Description

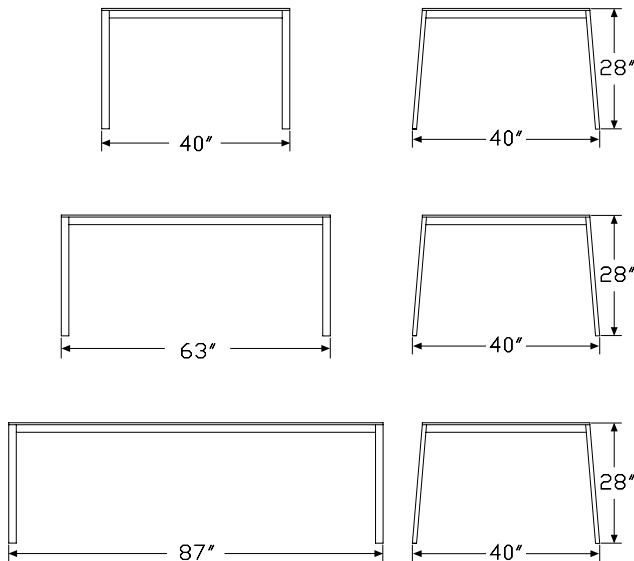
The frame of this table is an anodised aluminum tube. Joints are die-cast aluminum, available polished or painted. The top is high pressure laminate and comes in black or white. The base finish is available in polished aluminum and black.

Notes

Table thickness is 1/2".

Black (YHB) base with black (YHB) top combination is suitable for outdoor use.

Dimensions



Specification Information

Step 1.

MGE70. [A]

Step 2. Size

4040 40" x 40" [A]

6340 63" x 40" [A]

8740 87" x 40" [A]

Prices for Steps 1-2.

MGE70.4040	\$1839
6340	\$2155
8740	\$2798

Step 3. Base Finish

YHQ polished aluminum [A] +\$0

YHB black [A] +\$0

Step 4. Top Finish

For 40" x 40" (4040) with polished aluminum (YHQ)

YHB black [A] +\$0

YHP white [A] +\$397

Step 5. Top Finish

For 63" x 40" (6340) with polished aluminum (YHQ)

YHB black [A] +\$0

YHP white [A] +\$554

Step 6. Top Finish

For 87" x 40" (8740) with polished aluminum (YHQ)

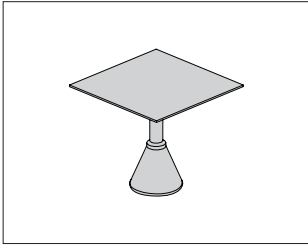
YHB black [A] +\$0

YHP white [A] +\$1413

Step 7. Top Finish

For black (YHB)

YHB black [A] +\$0



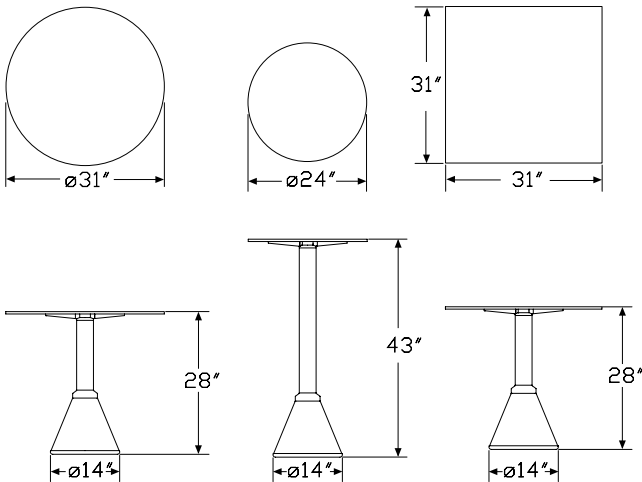
Product Information

Description
 The shape of this table is available in round or square with a concrete base. The frame is an anodised aluminum tube. The top is high pressure laminate. Finishes for the top and base are available in polished aluminum and black.

Notes

Table thickness is 1/2".
 Table is suitable for outdoor use.
 Polished aluminum (YHQ) base finish is NOT suitable for outdoor use.

Dimensions



Specification Information

Step 1.

MGE80. [A]

Step 2. Shape and Height

- R28** round 28" high [A]
- R43** round 43" high [A]
- S28** square 28" high [A]

Prices for Steps 1-2.

MGE80.R28	\$1240
R43	\$1130
S28	\$1191

Step 3. Base Finish

- YHQ** polished aluminum [A] +\$0
- YHB** black [A] +\$0

Step 4. Top Finish

For polished aluminum (YHQ)

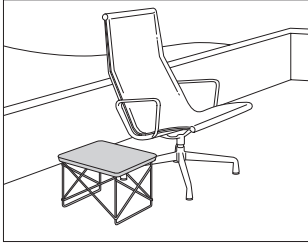
		R28	R43	S28
YHV	white with black edge [A]	+\$0	0	0
YHP	white [A]	+\$199	117	223

For black (YHB)

		R28	R43	S28
YHB	black [A]	+\$0	11	0

Eames® Wire Base Low Table
Outdoor

LTRT.



Product Information

Description

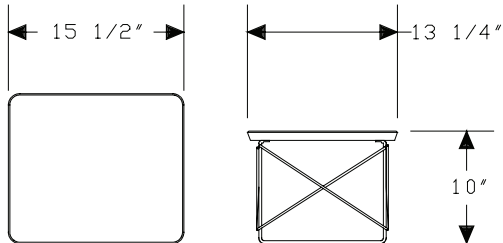
This outdoor table has a 3/4"-thick stone top or a thin profile HPL top. The base is powder-coated wire.

Notes

Stone has a honed finish and knife edge profile.

Natural characteristics in stone cause variations in hues, veins, crystals, and distinctive marks. These variations and subtle changes seen as the stone ages are values associated with natural materials. No two tabletops are identically the same; variations in both color and veining are to be expected. Over time the stone may fade in color, staining of the surface may appear, and surface cracks-if not already visible at time of purchase-may appear. Small cracks do not affect the structure of the tabletop.

Dimensions



Specification Information

Step 1.

LTRT.5

Step 2. Top Type

S stone

M thin profile HPL top

Prices for Steps 1-2.

LTRT.5 S	\$231
M	\$231

Step 3. Top Finish

For stone (S)

5U georgia grey marble <input type="checkbox"/>	+\$1359
HR wisconsin black marble <input type="checkbox"/>	+\$1419
CRR Carrara marble <input type="checkbox"/>	+\$1289

For thin profile HPL top (M)

91 white <input type="checkbox"/>	+\$110
BK black <input type="checkbox"/>	+\$110
G1 graphite <input type="checkbox"/>	+\$110

Step 4. Base Finish

91 white <input type="checkbox"/>	+\$21
G2 graphite satin <input type="checkbox"/>	+\$21
BK black <input type="checkbox"/>	+\$21

Nelson™ Pedestal Table Outdoor

5451.
5452.
5453.
5454.
5455.



Product Information

Description

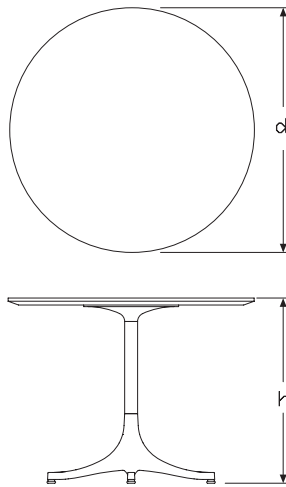
This outdoor table has a 3/4"-thick stone top or a thin profile HPL top and adjustable glides.

Notes

Stone has a honed finish and knife edge profile.

Natural characteristics in stone cause variations in hues, veins, crystals, and distinctive marks. These variations and subtle changes seen as the stone ages are values associated with natural materials. No two tabletops are identically the same; variations in both color and veining are to be expected. Over time the stone may fade in color, staining of the surface may appear, and surface cracks-if not already visible at time of purchase-may appear. Small cracks do not affect the structure of the tabletop.

Dimensions



Specification Information

Step 1.

545 [A]

Step 2. Height/Diameter

- 1.5 21 1/2" high x 17" diameter
- 5.5 26" high x 17" diameter [A]
- 2.5 16" high x 28 1/2" diameter
- 3.5 21 1/2" high x 28 1/2" diameter
- 4.5 26" high x 28 1/2" diameter [A]

Step 3. Surface Material

- M thin profile HPL top [A]
- S stone top [A]

Prices for Steps 1-3.

5451.5	M	\$876
	S	\$2194
5455.5	M	\$876
	S	\$2194
5452.5	M	\$1906
	S	\$3501
5453.5	M	\$1906
	S	\$3501
5454.5	M	\$1906
	S	\$3501

Step 4. Base Finish

91	white [A]	+\$0
91	white [A]	+\$30
G2	graphite satin [A]	+\$0
G2	graphite satin [A]	+\$30
BK	black [A]	+\$0
BK	black [A]	+\$30

Nelson™ Pedestal Table Outdoor

continued

Step 5. Top Finish

For stone top (S)

		1.5	5.5	2.5	3.5	4.5
5U	georgia grey	+\$225	225	360	360	360
	marble <input type="checkbox"/> A					
HR	wisconsin black	+\$631	631	1022	1022	1022
	marble <input type="checkbox"/> A					
CRR	Carrara marble <input type="checkbox"/> A	+\$100	100	285	285	285

For thin profile HPL top (M)

		1.5	5.5	2.5	3.5	4.5
91	white <input type="checkbox"/> A	+\$0	0	0	0	0
BK	black <input type="checkbox"/> A	+\$0	0	0	0	0
G1	graphite <input type="checkbox"/> A	+\$0	0	0	0	0

Index by Product Name

HermanMiller Collection Accessories	
360° Container (5 drawer w/casters)	page(s) 651
Box	661
Cu-Clock, 4-Pack	652
Dalmatian Puppy	655
Eames® Hang-It-All®	645
Eames® Molded Plywood Folding Screen	646
Environmental Enrichment Panel, Black and White	668
Environmental Enrichment Panel, Diagonals	671
Environmental Enrichment Panel, Eyes	669
Environmental Enrichment Panel, Four Leaf Clover	666
Environmental Enrichment Panel, Hand & Dove	672
Environmental Enrichment Panel, Knot	665
Environmental Enrichment Panel, Ribbons	670
Environmental Enrichment Panel, Stars	667
Geiger Textile Pillow	673
Girard® Throw	647
Media Stand	663
Nelson™ Angled Bubble Pendant	703
Nelson™ Apple Bubble Pendant	675
Nelson™ Ball Bubble Pendant	676
Nelson™ Ball Crisscross Bubble Pendant	684
Nelson™ Ball Lotus Table Lamp	693
Nelson™ Ball Tripod Lamp	696
Nelson™ Ball Wall Sconce	689
Nelson™ Bell Bubble Pendant	677
Nelson™ Cigar Bubble Pendant	678
Nelson™ Cigar Crisscross Bubble Pendant	685
Nelson™ Cigar Lotus Floor Lamp	700
Nelson™ Cigar Lotus Table Lamp	694
Nelson™ Cigar Tripod Lamp	697
Nelson™ Cigar Wall Sconce	690
Nelson™ Fireplace Tool Set	649
Nelson™ Firewood Caddy	648
Nelson™ Lantern Bubble Pendant	680
Nelson™ Lantern Tripod Lamp	698
Nelson™ Orbit Bubble Pendant	705
Nelson™ Pear Bubble Pendant	681
Nelson™ Pear Crisscross Bubble Pendant	686
Nelson™ Pear Lotus Floor Lamp	701
Nelson™ Pear Lotus Table Lamp	695
Nelson™ Pear Tripod Lamp	699
Nelson™ Pear Wall Sconce	691
Nelson™ Propeller Bubble Pendant	682
Nelson™ Roll Bubble Pendant	702
Nelson™ Saucer Bubble Pendant	683
Nelson™ Saucer Crisscross Bubble Pendant	687

Nelson™ Saucer Wall Sconce	692
Nelson™ Triple Bubble Lamp Fixture	688
Paper Tray	664
Pencil Cup	659
Puppy	654
Steelwood Coat Stand	656
Tissue Box	662
Transit Folding Trolley	657
Trash Bin, 4-Pack	658
Tray	660
Umbrella Stand	653
HermanMiller Collection Bedroom	
Nelson™ Daybed	page(s) 639
Nelson™ Thin Edge Bed	640
HermanMiller Collection Desks and Tables	
AGL™ Table Group	page(s) 425
AGL™ Table Group Power Kit	428
AGL™ Table Group Power Kit, Chicago version	430
Air-Table	444
Baguette Table	445
Brabo Occasional Table	487
Branca Table	465
Burdick Group™ Base Assembly	436
Burdick Group™ Beam	435
Burdick Group™ Oval Table	433
Burdick Group™ Rectangular Table	432
Burdick Group™ Rectangular Work Surface	438
Burdick Group™ Round Work Surface	437
Central Table	446
Claw Occasional Table, Square	491
Claw Table	490
Deja-Vu Table	447
Distil Desk	423
Distil Table	424
Doubleframe Table	464
Eames® Coffee Table	474
Eames® Desk Unit	421
Eames® Molded Plywood Coffee Table Metal Base	476
Eames® Molded Plywood Coffee Table Wood Base	477
Eames® Rectangular Coffee Table	478
Eames® Wire Base Elliptical Table	479
Eames® Wire Base Low Table	480
Facile Bench	467
Facile Table	466
Forcina Table	471
Full Round Table	492
H-Frame Coffee Table	500

Index by Product Name *continued*

Index: Product Name

H-Frame Side Table	498
I-Beam Coffee Table	502
I-Beam Side Table	503
Layer Occasional Table, High Nesting	517
Layer Occasional Table, Low Nesting	519
Layer Occasional Table, No Shelf	525
Layer Occasional Table, Stone Shelf	526
Layer Occasional Table, Wood Drawer	523
Layer Occasional Table, Wood Shelf	521
Medici Table	473
Nelson™ Pedestal Table	481
Nelson™ Swag Leg Desk	422
Nelson™ Swag Leg Dining Table Rectangular	439
Nelson™ Swag Leg Dining Table Round	440
Nelson™ Swag Leg Work Table	441
Nelson™ X-Leg Table	442
Noguchi® Rudder Table	484
Noguchi® Table	483
Officina Bistro Table	450
Officina Console Table	452
Officina Fratino Table	451
Officina Pedestal Table	453
Officina Table	448
Osso Table	470
Pizza Table	472
Polygon Wire Table	534
Primo Table	463
Reframe Occasional Table	527
Saiba Table Glass Top	513
Saiba Table Thin Profile Top	515
Saiba Table Wood Top	510
Solo Table	468
Steelwood Extending Table	457
Steelwood Table	455
Steelwood Table System	456
Striad® Pedestal Table	485
Striped Tavolo	458
Table First	459
Table_One	460
Table_One Bistro	461
Tavolo XZ3 Table	462
Traffic Low Side Table	540, 532
Traffic Low Side Table, Suitable for Outdoor Use	541, 533
Traffic Low Square Table	538
Traffic Low Square Table, Black HPL Top	531
Traffic Low Square Table, Suitable for Outdoor Use	539
Traffic Low Square Table, White HPL Top	530

Traffic Low Table	536
Traffic Low Table, Black HPL Top	529
Traffic Low Table, Suitable for Outdoor Use	537
Traffic Low Table, White HPL Top	528
Tronco Table	469
Tuxedo Component Lounge Tables Rectangular	508
Tuxedo Component Lounge Tables Square	506
Tuxedo Component Lounge Tables Tray	504

HermanMiller Collection Outdoor Furniture

Air-Chair	page(s) 714
Air-Folding Chair	715
Air-Table	732
Baguette Table	733
Central Table	734
Chair First	719
Chair_One	717
Chair_One Stacking Base	716
Deja-Vu Chair	720
Deja-Vu Stool	730
Eames® Aluminum Group Lounge Chair Outdoor	722
Eames® Aluminum Group Ottoman Outdoor	723
Eames® Aluminum Group Side Chair Outdoor	709
Eames® Wire Base Low Table Outdoor	737
Eames® Wire Chair Outdoor	710
Eames® Wire Stool Outdoor	711
Medici Bench Outdoor	725
Medici Chair Outdoor	724
Medici Ottoman Outdoor	726
Medici Table Outdoor	731
Mila Chair	712
Nelson™ Pedestal Table Outdoor	738
Paso Doble Chair Outdoor	713
Paso Doble Stool Outdoor	728
Spun Rotating Chair	727
Stool_One	729
Table_One	735
Table_One Bistro	736
Venice Chair	721

HermanMiller Collection Seating

Air-Chair	page(s) 37
Air-Chair to Air-Chair Connector	38
Air-Folding Chair	39
Al Bombo® Kit	226
Al Bombo® Stool	225
Bevel Chaise	309
Bevel Club Chair	305
Bevel Corner	306

Index by Product Name *continued*

Bevel Curved Settee	312	ColourForm Ottoman, Quilted, Single Textile	333
Bevel Ottoman	308	ColourForm Sofa, Not Quilted, Single Textile	323
Bevel Rounded Ottoman	314	ColourForm Sofa, Quilted, Single Textile	325
Bevel Settee	307	ColourForm Sofa, Quilted, Two Textiles	327
Bevel Single Seat	313	ColourForm Tete-a-Tete, Not Quilted, Single Textile	340
Bevel Sofa	310	ColourForm Tete-a-Tete, Quilted, Single Textile	341
Bolster Chaise	320	ColourForm Tete-a-Tete, Quilted, Two Textiles	342
Bolster Club Chair	315	Crosshatch Lounge Chair	154
Bolster Corner	316	Crosshatch Ottoman	157
Bolster Ottoman	319	Crosshatch Side Chair	91
Bolster Settee	317	Crosshatch Stool	257
Bolster Sofa	321	Deja-Vu Chair	46
Bombo® Stool	227	Deja-Vu Stool	228
Brabo Lounge Chair	214	Dressed First	45
Brabo Settee	398	Eames® Aluminum Group Executive Chair	281
Brabo Sofa	401	Eames® Aluminum Group Lounge Chair	104
Branca Chair	58	Eames® Aluminum Group Management Chair	283
Branca Stool	233	Eames® Aluminum Group Ottoman	106
Bumper Conference Chair	296	Eames® Aluminum Group Side Chair	5
Bumper Lounge Chair	152	Eames® Chaise	127
Bumper Side Chair	74	Eames® Executive Chair	289
Chadwick Base Cover Kit	350	Eames® Lounge Chair	113
Chadwick Module	348	Eames® Lounge Chair and Ottoman	109
Chadwick Power Entry	351	Eames® Lounge Chair and Ottoman, Ebony	111
Chadwick Power Jumper	353	Eames® Lounge Chair and Ottoman White Ash	112
Chadwick Receptacle Kit	352	Eames® Lounge Chair, Ebony	115
Chair First	40	Eames® Lounge Chair White Ash	116
Chair_One	42	Eames® Molded Fiberglass Armchair	30
Chair_One Cushion	44	Eames® Molded Fiberglass Side Chair	18
Chair_One Stacking Base	41	Eames® Molded Fiberglass Stool	245
Chiaro Chair	59	Eames® Molded Plastic Armchair	26
Chiaro Stool	234	Eames® Molded Plastic Armchair Rocker Base	120
Clerici Armchair	145	Eames® Molded Plastic Side Chair	13
Clerici Three Seat Bench	147	Eames® Molded Plastic Stool	248
Clerici Two Seat Bench	146	Eames® Molded Plywood Dining Chair Metal Base	9
ColourForm Bench, Not Quilted, Single Textile	345	Eames® Molded Plywood Dining Chair Wood Base	11
ColourForm Bench, Quilted, Single Textile	346	Eames® Molded Plywood Lounge Chair Metal Base	123
ColourForm Chaise, Not Quilted, Single Textile	334	Eames® Molded Plywood Lounge Chair Wood Base	125
ColourForm Chaise, Quilted, Single Textile	336	Eames® Molded Wood Side Chair	22
ColourForm Chaise, Quilted, Two Textiles	338	Eames® Molded Wood Stool	251
ColourForm Club Chair, Not Quilted, Single Textile	329	Eames® Ottoman	117
ColourForm Club Chair, Quilted, Single Textile	330	Eames® Ottoman, Ebony	118
ColourForm Club Chair, Quilted, Two Textiles	331	Eames® Ottoman White Ash	119
ColourForm Corner, Not Quilted, Single Textile	343	Eames® Side Chair Stacking Base Dolly	23
ColourForm Corner, Quilted, Single Textile	344	Eames® Sofa	393
ColourForm Ganging Kit	347	Eames® Sofa Compact	392
ColourForm Ottoman, Not Quilted, Single Textile	332	Eames® Soft Pad Group Executive Chair	285

Index by Product Name *continued*

Index: Product Name

Eames® Soft Pad Group Management Chair	287	Nelson™ Pedestal Stool	224
Eames® Soft Pad Lounge Chair	107	Nelson™ Platform Bench	266
Eames® Soft Pad Ottoman	108	Nelson™ Platform Bench Cushion	267
Eames® Soft Pad Side Chair	7	Nelson™ Swag Leg Armchair	36
Eames® Task Chair, Arm Shell	291	Nessel Chair	86
Eames® Task Chair, Side Shell	293	Officina Armchair	130
Eames® Upholstered Molded Fiberglass Armchair	32	Officina Bench	263
Eames® Upholstered Molded Fiberglass Side Chair	20	Officina Chair	48
Eames® Upholstered Molded Fiberglass Stool	246	Officina Low Chair	129
Eames® Upholstered Molded Plastic Armchair	27	Officina Ottoman	131
Eames® Upholstered Molded Plastic Armchair Rocker Base	121	Officina Sofa	409
Eames® Upholstered Molded Plastic Side Chair	15	Officina Stool	229
Eames® Upholstered Molded Plastic Stool	249	Osso Chair	57
Eames® Upholstered Molded Wood Side Chair	34	Osso Stool	240
Eames® Upholstered Molded Wood Stool	252	Primo Chair	65
Eames® Walnut Stool	223	Primo Stool	239
Eames® Wire Chair	24	Quindici Chaise Longue	151
Eames® Wire Stool	254	Quindici Lounge Chair	150
Envelope® Chair	72	Reframe High-Back Lounge Chair	163
Folly	264	Reframe Mid-Back Lounge Chair	160
Folly Floor Kit	265	Reframe Wing-Back Lounge Chair	166
Forcina Chair	102	Rolled Arm Club Chair	168
Forcina Stool	244	Rolled Arm Sofa	404
Full Twist™ Guest Chair	76	Saiba Conference Chair	90
Girard Color Wheel Ottoman	410	Saiba Guest Chair	211
Goetz™ Sofa	395	Saiba Lounge	209
He Said Chair	61	Saiba Multitask Chair	298
Landmark Chair	83	Saiba Ottoman	210
Landmark Low Arm Chair	80	Scissor Chair	174
Leeway™ Metal Frame Side Chair	98	She Said Chair	62
Leeway™ Stool	260	She Said Lowide Chair	63
Leeway™ Wood Side Chair	95	She Said Stool	236
Lispenard Chair	303	Sled Chair	176
Lispenard Ottoman	302	Solo Chair	64
Lispenard Sectional	304	Solo Stool	238
Lispenard Sofa	301	Spot Stool	255
Medici Chair	148	Spun Rotating Chair	144
Medici Ottoman	149	Stanley Chair	94
Mila Chair	47	Steelwood Chair	49
Milà Upholstered Chair	103	Steelwood Stool	230
Module Lounge Seating Corner	358	Steelwood Upholstered Chair	50
Module Lounge Seating Ottoman	360	Stool_One	231
Module Lounge Seating Single Seat	356	Stool_One Cushion	232
Module Lounge Seating with Privacy Back Corner	355	Striad High-Back Lounge Chair, 4-Star Base	193
Module Lounge Seating with Privacy Back Single Seat	354	Striad High-Back Lounge Chair, Wire Base	195
Nelson™ Coconut Lounge Chair	128	Striad Low-Back Lounge Chair, 4-Star Base	201
Nelson™ Marshmallow Sofa	397	Striad Low-Back Lounge Chair, Wire Base	203

Striad Mid-Back Lounge Chair, 4-Star Base	197
Striad Mid-Back Lounge Chair, Wire Base	199
Striad Ottoman, 4-Star Base	205
Striad Ottoman, Wire Base	207
Taper Chair	299
Tom & Jerry Stool	237
Traffic Armchair Leather	133
Traffic Armchair Upholstered	132
Traffic Armchair Upholstered (Suitable for Outdoor Use)	134
Traffic Chaise Lounge Leather	142
Traffic Chaise Lounge Upholstered	141
Traffic One-Seater Bench Leather	275
Traffic One-Seater Bench Upholstered	273
Traffic One-Seater Bench Upholstered (Suitable for Outdoor Use)	274
Traffic Platform Leather	280
Traffic Platform Upholstered	279
Traffic Tablet in Acrylic Stone	143
Traffic Three-Seater Sofa Leather	140
Traffic Three-Seater Sofa Upholstered	138
Traffic Three-Seater Sofa Upholstered (Suitable for Outdoor Use)	139
Traffic Two-Seater Bench Leather	278
Traffic Two-Seater Bench Upholstered	276
Traffic Two-Seater Bench Upholstered (Suitable for Outdoor Use)	277
Traffic Two-Seater Sofa Leather	137
Traffic Two-Seater Sofa Upholstered	135
Traffic Two-Seater Sofa Upholstered (Suitable for Outdoor Use)	136
Tronco Connector	68
Tronco Dolly	67
Tronco Stacking Chair	66
Tronco Upholstered Chair	101
Troy Plastic Chair	51
Troy Upholstered Chair	53
Tuxedo Classic Club Chair	191
Tuxedo Classic Corner Settee	381
Tuxedo Classic Corner Sofa	389
Tuxedo Classic Settee	376
Tuxedo Classic Sofa	385
Tuxedo Component Lounge™ Bench	269
Tuxedo Component Lounge™ Club Chair	178
Tuxedo Component Lounge™ Corner Sofa with Attached Settee	372
Tuxedo Component Lounge™ Corner Sofa with Attached Sofa	374
Tuxedo Component Lounge™ Daybed	182
Tuxedo Component Lounge™ Museum Bench	271
Tuxedo Component Lounge™ Ottoman	180
Tuxedo Component Lounge™ Settee	363
Tuxedo Component Lounge™ Settee Corner	367
Tuxedo Component Lounge™ Sofa	361

Tuxedo Component Lounge™ Sofa Corner	370
Tuxedo Component Lounge with Table - One Seat	184
Tuxedo Component Lounge with Table - Two Seats	188
Tuxedo Ganging Plate	417
Uncino Chair, Version A	69
Uncino Chair, Version B	70
Uncino Chair, Version C	71
Uncino Stool	242
Uncino Stool, Fixed	243
Venice Chair	55
Venice Cushion	56
Wireframe™ Chair	170
Wireframe™ Ottoman	172
Wireframe™ Sofa	407
Wood Base Club Chair	217
Wood Base Ottoman	220
Wood Base Settee	411
Wood Base Sofa	414
HermanMiller Collection Storage	
Domino Credenza	page(s) 572, 571, 568, 567, 565, 563
Domino Sideboard	574, 573, 570, 569, 566, 564
Eames® Storage Unit	545
H-Frame Credenza Four Units Wide	590
H-Frame Credenza One Unit Wide	575
H-Frame Credenza Stone Top	596
H-Frame Credenza Three Units Wide	586
H-Frame Credenza Two Units Wide	582
Nelson™ Basic Cabinet Series 16.5 x 18	547
Nelson™ Basic Cabinet Series 24 x 24	548
Nelson™ Basic Cabinet Series 24 x 34	549
Nelson™ Basic Cabinet Series 24 x 34 Bookcase	550
Nelson™ Basic Cabinet Series 34 x 40	551
Nelson™ Miniature Chest 6 Drawer	552
Nelson™ Miniature Chest 9 Drawer	553
Nelson™ Thin Edge Bedside Table	555
Nelson™ Thin Edge Buffet	559
Nelson™ Thin Edge Cabinet	557
Nelson™ Thin Edge Chest	556
Nelson™ Thin Edge Chest Cabinet	558
Nelson™ Thin Edge Double Dresser	560
Silverware Drawer Insert	597
Sled Base Credenza Four Units Wide	607
Sled Base Credenza Four Units Wide and Stone Top	622
Sled Base Credenza Three Units Wide	604
Sled Base Credenza Three Units Wide and Stone Top	619
Sled Base Credenza Two Units Wide	601
Sled Base Credenza Two Units Wide and Stone Top	616

Index by Product Name *continued*

Index: Product Name

Sled Base Mobile Credenza	628
Sled Base Mobile Credenza Stone Top	634
Sled Base Mobile Pedestal	625
Sled Base Mobile Pedestal Stone Top	631
Sled Base Pedestal	598
Sled Base Pedestal Stone Top	613
Steelwood Shelving System	561

Index by Product Number

411	Eames® Walnut Stool	page(s) 223	AJN10	ColourForm Corner, Not Quilted, Single Textile	343
412			AJN10	ColourForm Corner, Quilted, Single Textile	344
413			AJN10	ColourForm Sofa, Not Quilted, Single Textile	323
473	Eames® Sofa Compact	392	AJN10	ColourForm Sofa, Quilted, Single Textile	325
5451L	Nelson™ Pedestal Table	481	AJN10	ColourForm Sofa, Quilted, Two Textiles	327
5451.	Nelson™ Pedestal Table Outdoor	738	AJN10	ColourForm Tete-a-Tete, Not Quilted, Single Textile	340
5451S	Nelson™ Pedestal Table	481	AJN10	ColourForm Tete-a-Tete, Quilted, Single Textile	341
5451W			AJN10	ColourForm Tete-a-Tete, Quilted, Two Textiles	342
5452L			AJNG	ColourForm Ganging Kit	347
5452.	Nelson™ Pedestal Table Outdoor	738	AL1C0	Bolster Ottoman	319
5452S	Nelson™ Pedestal Table	481	AL1C1	Bolster Chaise	320
5452W			AL1C1	Bolster Club Chair	315
5453L			AL1C1	Bolster Corner	316
5453.	Nelson™ Pedestal Table Outdoor	738	AL1C1	Bolster Settee	317
5453S	Nelson™ Pedestal Table	481	AL1C1	Bolster Sofa	321
5453W			AL2C1	Module Lounge Seating Single Seat	356
5454L			AL2C2		
5454.	Nelson™ Pedestal Table Outdoor	738	AL2C3	Module Lounge Seating Corner	358
5454S	Nelson™ Pedestal Table	481	AL2C4	Module Lounge Seating Ottoman	360
5454W			AL2C5	Module Lounge Seating with Privacy Back Single Seat	354
5455L			AL2C7	Module Lounge Seating with Privacy Back Corner	355
5455.	Nelson™ Pedestal Table Outdoor	738	AL6C0	Bevel Ottoman	308
5455S	Nelson™ Pedestal Table	481	AL6C0	Bevel Rounded Ottoman	314
5455W			AL6C0	Bevel Single Seat	313
5569.	Nelson™ Coconut Lounge Chair	128	AL6C1	Bevel Chaise	309
5670	Nelson™ Marshmallow Sofa	397	AL6C1	Bevel Club Chair	305
66332	Girard Color Wheel Ottoman	410	AL6C1	Bevel Corner	306
ACL1A	Claw Table	490	AL6C1	Bevel Settee	307
ACL2A	Claw Occasional Table, Square	491	AL6C1	Bevel Sofa	310
AFCA	Reframe Occasional Table	527	AL6C2	Bevel Curved Settee	312
AFCW			AL6C3		
AFRA			AL510	Lispenard Chair	303
AFRW			AL510	Lispenard Ottoman	302
AFSA			AL510	Lispenard Sectional	304
AFSW			AL510	Lispenard Sofa	301
AJN2B	ColourForm Bench, Not Quilted, Single Textile	345	ALNHS	Layer Occasional Table, High Nesting	517
AJN2B	ColourForm Bench, Quilted, Single Textile	346	ALNLT	Layer Occasional Table, Low Nesting	519
AJN3B	ColourForm Bench, Not Quilted, Single Textile	345	ALYDA	Layer Occasional Table, Wood Drawer	523
AJN3B	ColourForm Bench, Quilted, Single Textile	346	ALYDW		
AJN04	ColourForm Ottoman, Not Quilted, Single Textile	332	ALYSA	Layer Occasional Table, Wood Shelf	521
AJN04	ColourForm Ottoman, Quilted, Single Textile	333	ALYSN	Layer Occasional Table, No Shelf	525
AJN10	ColourForm Chaise, Not Quilted, Single Textile	334	ALYSS	Layer Occasional Table, Stone Shelf	526
AJN10	ColourForm Chaise, Quilted, Single Textile	336	ALYSW	Layer Occasional Table, Wood Shelf	521
AJN10	ColourForm Chaise, Quilted, Two Textiles	338	ASB1A	Saiba Table Wood Top	510
AJN10	ColourForm Club Chair, Not Quilted, Single Textile	329	ASB1G	Saiba Table Glass Top	513
AJN10	ColourForm Club Chair, Quilted, Single Textile	330	ASB1T	Saiba Table Thin Profile Top	515
AJN10	ColourForm Club Chair, Quilted, Two Textiles	331	ASB1W	Saiba Table Wood Top	510

Index by Product Number *continued*

Index: Product Number

AV3AL	Brabo Occasional Table	487
AV3AW		
AV3WL		
AV3WW		
AWB1Z	I-Beam Side Table	503
AWB2G	I-Beam Coffee Table	502
AWB2M		
AWH2G	H-Frame Coffee Table	500
AWH2G	H-Frame Side Table	498
AWH2S	H-Frame Coffee Table	500
AWH2S	H-Frame Side Table	498
AWH2W	H-Frame Coffee Table	500
AWH2W	H-Frame Side Table	498
AWR2-	Full Round Table	492
AXT3-	Tuxedo Component Lounge Tables Tray	504
AXW2-	Tuxedo Component Lounge Tables Square	506
AXW3-	Tuxedo Component Lounge Tables Rectangular	508
B-3-7	Nelson™ Triple Bubble Lamp Fixture	688
BC1618	Nelson™ Basic Cabinet Series 16.5 x 18	547
BC2400	Nelson™ Basic Cabinet Series 24 x 34 Bookcase	550
BC2424	Nelson™ Basic Cabinet Series 24 x 24	548
BC2434	Nelson™ Basic Cabinet Series 24 x 34	549
BC3440	Nelson™ Basic Cabinet Series 34 x 40	551
BELLX	Nelson™ Bell Bubble Pendant	677
BG105	Burdick Group™ Beam	435
BG106		
BG107	Burdick Group™ Base Assembly	436
BG120	Burdick Group™ Rectangular Work Surface	438
BG121		
BG122	Burdick Group™ Round Work Surface	437
BG321	Burdick Group™ Rectangular Table	432
BG322		
BG331		
BG332		
BG335	Burdick Group™ Oval Table	433
BG336		
BG435		
BG436		
BK104	Wireframe™ Ottoman	172
BK110	Wireframe™ Chair	170
BK110	Wireframe™ Sofa	407
CCL100	Striad High-Back Lounge Chair, 4-Star Base	193
CCL101	Striad High-Back Lounge Chair, Wire Base	195
CCL200	Striad Mid-Back Lounge Chair, 4-Star Base	197
CCL201	Striad Mid-Back Lounge Chair, Wire Base	199
CCL300	Striad Low-Back Lounge Chair, 4-Star Base	201
CCL301	Striad Low-Back Lounge Chair, Wire Base	203

CCL400	Striad Ottoman, 4-Star Base	205
CCL401	Striad Ottoman, Wire Base	207
CCL500	Striad® Pedestal Table	485
CM101	Chadwick Module	348
CM102		
CM103		
CM104	Chadwick Base Cover Kit	350
CM105	Chadwick Module	348
CM106		
CM107	Chadwick Power Entry	351
CM108	Chadwick Receptacle Kit	352
CM109	Chadwick Power Jumper	353
CTM.	Eames® Molded Plywood Coffee Table Metal Base	476
CTW1.	Eames® Rectangular Coffee Table	478
CTW.	Eames® Molded Plywood Coffee Table Wood Base	477
CY100.	Pencil Cup	659
CY101.	Tray	660
CY102.	Box	661
CY103.	Tissue Box	662
CY104.	Media Stand	663
CY105.	Paper Tray	664
DAF	Nelson™ Swag Leg Armchair	36
DAR.	Eames® Molded Plastic Armchair	26
DAR.	Eames® Upholstered Molded Plastic Armchair	27
DAW.	Eames® Molded Plastic Armchair	26
DAW.	Eames® Upholstered Molded Plastic Armchair	27
DAX.	Eames® Molded Plastic Armchair	26
DAX.	Eames® Upholstered Molded Plastic Armchair	27
DBL.	Doubleframe Table	464
DCM.	Eames® Molded Plywood Dining Chair Metal Base	9
DCW.	Eames® Molded Plywood Dining Chair Wood Base	11
DF100.	AGL™ Table Group	425
DF900.	AGL™ Table Group Power Kit	428
DF901.	AGL™ Table Group Power Kit, Chicago version	430
DFAR.	Eames® Molded Fiberglass Armchair	30
DFAR.	Eames® Upholstered Molded Fiberglass Armchair	32
DFAW.	Eames® Molded Fiberglass Armchair	30
DFAW.	Eames® Upholstered Molded Fiberglass Armchair	32
DFAX.	Eames® Molded Fiberglass Armchair	30
DFAX.	Eames® Upholstered Molded Fiberglass Armchair	32
DFH BX.	Eames® Molded Fiberglass Stool	245
DFH BX.	Eames® Upholstered Molded Fiberglass Stool	246
DFH CX.	Eames® Molded Fiberglass Stool	245
DFH CX.	Eames® Upholstered Molded Fiberglass Stool	246
DFSR.	Eames® Molded Fiberglass Side Chair	18
DFSR.	Eames® Upholstered Molded Fiberglass Side Chair	20
DFSS.	Eames® Molded Fiberglass Side Chair	18

Index by Product Number *continued*

DFSW.		
DFSW.	Eames® Upholstered Molded Fiberglass Side Chair	20
DFSX.	Eames® Molded Fiberglass Side Chair	18
DFSX.	Eames® Upholstered Molded Fiberglass Side Chair	20
DKHBX.	Eames® Wire Stool	254
DKHCX.		
DKHQBX	Eames® Wire Stool Outdoor	711
DKHQCX		
DKQR.	Eames® Wire Chair Outdoor	710
DKQX.		
DKR.	Eames® Wire Chair	24
DKW.		
DKX.		
DOLLY.	Eames® Side Chair Stacking Base Dolly	23
DSHBX.	Eames® Molded Plastic Stool	248
DSHBX.	Eames® Upholstered Molded Plastic Stool	249
DSHCX.	Eames® Molded Plastic Stool	248
DSHCX.	Eames® Upholstered Molded Plastic Stool	249
DSR.	Eames® Molded Plastic Side Chair	13
DSR.	Eames® Upholstered Molded Plastic Side Chair	15
DSS.	Eames® Molded Plastic Side Chair	13
DSW.		
DSW.	Eames® Upholstered Molded Plastic Side Chair	15
DSX.	Eames® Molded Plastic Side Chair	13
DSX.	Eames® Upholstered Molded Plastic Side Chair	15
DWHBX.	Eames® Molded Wood Stool	251
DWHBX.	Eames® Upholstered Molded Wood Stool	252
DWHCX.	Eames® Molded Wood Stool	251
DWHCX.	Eames® Upholstered Molded Wood Stool	252
DWSR.	Eames® Molded Wood Side Chair	22
DWSR.	Eames® Upholstered Molded Wood Side Chair	34
DWSW.	Eames® Molded Wood Side Chair	22
DWSW.	Eames® Upholstered Molded Wood Side Chair	34
DWSX.	Eames® Molded Wood Side Chair	22
DWSX.	Eames® Upholstered Molded Wood Side Chair	34
EA306	Eames® Aluminum Group Side Chair	5
EA308		
EA316	Eames® Aluminum Group Lounge Chair	104
EA322		
EA323	Eames® Aluminum Group Ottoman	106
EA334	Eames® Aluminum Group Management Chair	283
EA335		
EA337	Eames® Aluminum Group Executive Chair	281
EA406	Eames® Soft Pad Side Chair	7
EA408		
EA416	Eames® Soft Pad Lounge Chair	107
EA422		
EA423	Eames® Soft Pad Ottoman	108
EA434	Eames® Soft Pad Group Management Chair	287
EA435		
EA437	Eames® Soft Pad Group Executive Chair	285
EA506	Eames® Aluminum Group Side Chair Outdoor	709
EA508		
EA516	Eames® Aluminum Group Lounge Chair Outdoor	722
EA523	Eames® Aluminum Group Ottoman Outdoor	723
ECT30	Eames® Coffee Table	474
EDU10.	Eames® Desk Unit	421
EDU20.		
EDU21.		
EE907	Environmental Enrichment Panel, Hand & Dove	672
EE913	Environmental Enrichment Panel, Stars	667
EE914	Environmental Enrichment Panel, Eyes	669
EE929	Environmental Enrichment Panel, Four Leaf Clover	666
EE932	Environmental Enrichment Panel, Knot	665
EE935	Environmental Enrichment Panel, Black and White	668
EE937	Environmental Enrichment Panel, Diagonals	671
EE943	Environmental Enrichment Panel, Ribbons	670
ES106	Eames® Chaise	127
ES108	Eames® Sofa	393
ES110		
ES204	Eames® Executive Chair	289
ES670	Eames® Lounge Chair	113
ES670	Eames® Lounge Chair and Ottoman	109
ES670	Eames® Lounge Chair and Ottoman, Ebony	111
ES670	Eames® Lounge Chair and Ottoman White Ash	112
ES670	Eames® Lounge Chair, Ebony	115
ES670	Eames® Lounge Chair White Ash	116
ES671	Eames® Ottoman	117
ES671	Eames® Ottoman, Ebony	118
ES671	Eames® Ottoman White Ash	119
ESU100	Eames® Storage Unit	545
ESU150		
ESU201		
ESU230		
ESU420		
ETRT.	Eames® Wire Base Elliptical Table	479
FSW.	Eames® Molded Plywood Folding Screen	646
GS100.	Goetz™ Sofa	395
H737S	Nelson™ Lantern Bubble Pendant	680
H737T	Nelson™ Lantern Tripod Lamp	698
H761C	Nelson™ Ball Crisscross Bubble Pendant	684
H761L	Nelson™ Ball Bubble Pendant	676
H761L	Nelson™ Ball Lotus Table Lamp	693
H761M	Nelson™ Ball Bubble Pendant	676

Index by Product Number *continued*

Index: Product Number

H761S		
H761S	Nelson™ Ball Wall Sconce	689
H761T	Nelson™ Ball Tripod Lamp	696
H762C	Nelson™ Cigar Crisscross Bubble Pendant	685
H762L	Nelson™ Cigar Bubble Pendant	678
H762L	Nelson™ Cigar Lotus Floor Lamp	700
H762L	Nelson™ Cigar Lotus Table Lamp	694
H762M	Nelson™ Cigar Bubble Pendant	678
H762S		
H762S	Nelson™ Cigar Wall Sconce	690
H762T	Nelson™ Cigar Tripod Lamp	697
H762X	Nelson™ Cigar Bubble Pendant	678
H763C	Nelson™ Saucer Crisscross Bubble Pendant	687
H763L	Nelson™ Saucer Bubble Pendant	683
H763M		
H763S		
H763S	Nelson™ Saucer Wall Sconce	692
H763X	Nelson™ Saucer Bubble Pendant	683
H764M	Nelson™ Roll Bubble Pendant	702
H766M	Nelson™ Apple Bubble Pendant	675
H769L	Nelson™ Angled Bubble Pendant	703
H769M		
H769S		
H770C	Nelson™ Pear Crisscross Bubble Pendant	686
H770L	Nelson™ Pear Lotus Floor Lamp	701
H770L	Nelson™ Pear Lotus Table Lamp	695
H770M	Nelson™ Pear Bubble Pendant	681
H770S		
H770S	Nelson™ Pear Wall Sconce	691
H770T	Nelson™ Pear Tripod Lamp	699
H771M	Nelson™ Orbit Bubble Pendant	705
H771S		
HA-CC	Cu-Clock, 4-Pack	652
HA-CO	360° Container (5 drawer w/casters)	651
HA-CR	Steelwood Coat Stand	656
HA-DP	Dalmatian Puppy	655
HA-FC	Nelson™ Firewood Caddy	648
HA-FP	Nelson™ Fireplace Tool Set	649
HA-GT	Girard® Throw	647
HA-PP	Puppy	654
HA-TH	Trash Bin, 4-Pack	658
HA-TT	Transit Folding Trolley	657
HA-US	Umbrella Stand	653
HIA91	Eames® Hang-It-All®	645
HIABK		
HIAML		
HIAOU		

HIAUL		
IN50	Noguchi® Table	483
IN52	Noguchi® Rudder Table	484
IWCM2	Domino Credenza	568
IWCM3	Domino Credenza	571
IWCM4	Domino Credenza	572
IWCS2	Domino Credenza	563
IWCS3	Domino Credenza	565
IWCS4	Domino Credenza	567
IWSM2	Domino Sideboard	570
IWSM3	Domino Sideboard	573
IWSM4	Domino Sideboard	574
IWSS2	Domino Sideboard	564
IWSS3	Domino Sideboard	566
IWSS4	Domino Sideboard	569
JA	Silverware Drawer Insert	597
JCH1-	H-Frame Credenza One Unit Wide	575
JCH1S	H-Frame Credenza Stone Top	596
JCH2-	H-Frame Credenza Two Units Wide	582
JCH2S	H-Frame Credenza Stone Top	596
JCH3-	H-Frame Credenza Three Units Wide	586
JCH3S	H-Frame Credenza Stone Top	596
JCH4-	H-Frame Credenza Four Units Wide	590
JCH4S	H-Frame Credenza Stone Top	596
JCS1-	Sled Base Pedestal	598
JCS1S	Sled Base Pedestal Stone Top	613
JCS2-	Sled Base Credenza Two Units Wide	601
JCS2S	Sled Base Credenza Two Units Wide and Stone Top	616
JCS3-	Sled Base Credenza Three Units Wide	604
JCS3S	Sled Base Credenza Three Units Wide and Stone Top	619
JCS4-	Sled Base Credenza Four Units Wide	607
JCS4S	Sled Base Credenza Four Units Wide and Stone Top	622
JMS1-	Sled Base Mobile Pedestal	625
JMS1S	Sled Base Mobile Pedestal Stone Top	631
JMS2-	Sled Base Mobile Credenza	628
JMS2S	Sled Base Mobile Credenza Stone Top	634
LCM.	Eames® Molded Plywood Lounge Chair Metal Base	123
LCW.	Eames® Molded Plywood Lounge Chair Wood Base	125
LTRT.	Eames® Wire Base Low Table	480
LTRT.	Eames® Wire Base Low Table Outdoor	737
MAS18	Spot Stool	255
MAS24		
MAS30		
MC9A.	Uncino Chair, Version A	69
MC9B.	Uncino Chair, Version B	70
MC9C.	Uncino Chair, Version C	71
MC9F.	Uncino Stool, Fixed	243

Index by Product Number *continued*

MC9S. Uncino Stool	242	MGJ70. Osso Table	470
MC12. Tronco Upholstered Chair	101	MGK01. Tronco Stacking Chair	66
MC13B. Facile Bench	467	MGK70. Tronco Table	469
MC13T. Facile Table	466	MGK91. Tronco Connector	68
MC14C. Primo Chair	65	MGK99. Tronco Dolly	67
MC14S. Primo Stool	239	MGM00. Medici Chair	148
MC14T. Primo Table	463	MGM01. Medici Chair Outdoor	724
MC15CL. Quindici Chaise Longue	151	MGM21. Medici Bench Outdoor	725
MC15L. Quindici Lounge Chair	150	MGN00. Spun Rotating Chair	727, 144
MC16C. Forcina Chair	102	MGP10. Paso Doble Chair Outdoor	713
MC16S. Forcina Stool	244	MGP30. Paso Doble Stool Outdoor	728
MC16T. Forcina Table	471	MGQ70. Officina Bistro Table	450
MGA00. Air-Chair	714, 37	MGQ70. Officina Console Table	452
MGA01. Air-Folding Chair	715, 39	MGQ70. Officina Fratino Table	451
MGA70. Air-Table	732, 444	MGQ70. Officina Pedestal Table	453
MGA90. Air-Chair to Air-Chair Connector	38	MGQ70. Officina Table	448
MGB20. Al Bombo® Stool	225	MGR00. Branca Chair	58
MGB21. Bombo® Stool	227	MGR20. Branca Stool	233
MGB90. Al Bombo® Kit	226	MGR70. Branca Table	465
MGC00. Folly	264	MGS00. Steelwood Chair	49
MGC90. Folly Floor Kit	265	MGS00. Steelwood Upholstered Chair	50
MGCH00Chiaro Chair	59	MGS20. Steelwood Stool	230
MGCH03Chiaro Stool	234	MGS70. Steelwood Table	455
MGCL00 Clerici Armchair	145	MGS71. Steelwood Extending Table	457
MGCL02 Clerici Two Seat Bench	146	MGS72. Steelwood Table System	456
MGCL03 Clerici Three Seat Bench	147	MGS90. Steelwood Shelving System	561
MGD00. Deja-Vu Chair	720, 46	MGT70. Tavolo XZ3 Table	462
MGD20. Deja-Vu Stool	730, 228	MGTJ20. Tom & Jerry Stool	237
MGD70. Deja-Vu Table	447	MGU00. Venice Chair	721, 55
MGE00. Chair_One	717, 42	MGU90. Venice Cushion	56
MGE00. Chair_One Stacking Base	716, 41	MGV20. Medici Ottoman	149
MGE20. Stool_One	729, 231	MGV21. Medici Ottoman Outdoor	726
MGE70. Table_One	735, 460	MGV70. Medici Table	473
MGE80. Table_One Bistro	736, 461	MGV71. Medici Table Outdoor	731
MGE90. Chair_One Cushion	44	MGW70. Striped Tavolo	458
MGE91. Stool_One Cushion	232	MGX00. Dressed First	45
MGF00. Chair First	719, 40	MGY01. Troy Upholstered Chair	53
MGF70. Table First	459	MGY08. Troy Plastic Chair	51
MGG70. Baguette Table	733, 445	MGZ00. Solo Chair	64
MGG80. Central Table	734, 446	MGZ02. Solo Stool	238
MGG90. Pizza Table	472	MGZ70. Solo Table	468
MGH00. He Said Chair	61	NC526. Nelson™ Miniature Chest 6 Drawer	552
MGH01. She Said Chair	62	NC529. Nelson™ Miniature Chest 9 Drawer	553
MGH02. She Said Lowide Chair	63	NC556. Nelson™ Miniature Chest 6 Drawer	552
MGH03. She Said Stool	236	NC559. Nelson™ Miniature Chest 9 Drawer	553
MGJ00. Osso Chair	57	NS585. Nelson™ Swag Leg Desk	422
MGJ01. Osso Stool	240	NS585. Nelson™ Swag Leg Dining Table Rectangular	439

Index by Product Number *continued*

Index: Product Number

NS585	Nelson™ Swag Leg Dining Table Round	440	SBSU-	Sled Chair	176
NS585	Nelson™ Swag Leg Work Table	441	SD205	Officina Chair	48
NX100.	Nelson™ X-Leg Table	442	SD207	Officina Stool	229
PACCF.	Eames® Task Chair, Arm Shell	291	SD210	Milà Upholstered Chair	103
PACCP.			SD220	Officina Low Chair	129
PBC.	Nelson™ Platform Bench Cushion	267	SD222	Officina Bench	263
PB.	Nelson™ Platform Bench	266	SD223	Officina Armchair	130
PROP	Nelson™ Propeller Bubble Pendant	682	SD224	Officina Sofa	409
PS16	Nelson™ Pedestal Stool	224	SD225		
PSCCD.	Eames® Task Chair, Side Shell	293	SD226	Officina Ottoman	131
PSCCF.			SEB1B	Crosshatch Stool	257
PSCCP.			SEB1C		
PSCCR.			SES1A	Crosshatch Lounge Chair	154
PTA	Geiger Textile Pillow	673	SES1W		
PTB			SES2A	Crosshatch Side Chair	91
PTC			SES2W		
PTD			SES3A	Crosshatch Ottoman	157
PWL14	Polygon Wire Table	534	SES3W		
PWL22			SFA1P	Taper Chair	299
PWL26			SFA1S		
PWM14			SFA1T		
PWM18			SFA2P		
PWM26			SFA2S		
PWS16			SFA2T		
PWS20			SFT1A	Full Twist™ Guest Chair	76
PWS26			SFT1M		
RAR.	Eames® Molded Plastic Armchair Rocker Base	120	SFT1N		
RAR.	Eames® Upholstered Molded Plastic Armchair Rocker Base	121	SFT1W		
SBEV-	Envelope® Chair	72	SJAA	Reframe Mid-Back Lounge Chair	160
SBLAC	Landmark Low Arm Chair	80	SJAW		
SBLAF			SJBA	Reframe High-Back Lounge Chair	163
SBLLC	Landmark Chair	83	SJBW		
SBLLF			SJCA	Reframe Wing-Back Lounge Chair	166
SBN1H	Saiba Conference Chair	90	SJCW		
SBN1M			SNS1A	Nessel Chair	86
SBN3H	Saiba Multitask Chair	298	SNS1W		
SBN3M			SNS2A		
SBN5H	Saiba Lounge	209	SNS2W		
SBN6	Saiba Ottoman	210	ST1AN	Tuxedo Component Lounge™ Club Chair	178
SBN7M	Saiba Guest Chair	211	ST1AQ		
SBR4N	Bumper Lounge Chair	152	ST1BN	Tuxedo Component Lounge™ Ottoman	180
SBR5N	Bumper Conference Chair	296	ST1BQ		
SBRA-	Rolled Arm Club Chair	168	ST1NN	Tuxedo Component Lounge™ Club Chair	178
SBRA-	Rolled Arm Sofa	404	ST1NQ		
SBRLN	Bumper Side Chair	74	ST2AL	Tuxedo Component Lounge™ Settee	363
SBSC-	Scissor Chair	174	ST2AN		
SBSD-			ST2AQ		

Index by Product Number *continued*

ST2AR		
ST2BN	Tuxedo Component Lounge™ Bench	269
ST2BQ		
ST2CL	Tuxedo Component Lounge™ Settee Corner	367
ST2CR		
ST2MN	Tuxedo Component Lounge™ Corner Sofa with Attached Settee	372
ST2MQ		
ST2NN	Tuxedo Component Lounge™ Settee	363
ST2NQ		
ST3AL	Tuxedo Component Lounge™ Sofa	361
ST3AN		
ST3AQ		
ST3AR		
ST3BN	Tuxedo Component Lounge™ Museum Bench	271
ST3BQ		
ST3CL	Tuxedo Component Lounge™ Sofa Corner	370
ST3CR		
ST3DN	Tuxedo Component Lounge™ Daybed	182
ST3DQ		
ST3MN	Tuxedo Component Lounge™ Corner Sofa with Attached Sofa	374
ST3MQ		
ST3NN	Tuxedo Component Lounge™ Sofa	361
ST3NQ		
STGP	Tuxedo Ganging Plate	417
SVMP	Leeway™ Metal Frame Side Chair	98
SVMUA		
SVMUW		
SVMWA		
SVMWW		
SVSPB	Leeway™ Stool	260
SVSPC		
SVSUA		
SVSUW		
SVSWA		
SVSWW		
SVV4A	Brabo Lounge Chair	214
SVV4W		
SVV5A	Brabo Settee	398
SVV5W		
SVV6A	Brabo Sofa	401
SVV6W		
SVWUA	Leeway™ Wood Side Chair	95
SVWUW		
SVWWA		
SVWWW		

SX1AL	Tuxedo Component Lounge with Table - One Seat	184
SX1AR		
SX1NL		
SX1NR		
SX2AL	Tuxedo Component Lounge with Table - Two Seats	188
SX2AR		
SX2CL		
SX2CR		
SX2NL		
SX2NR		
SZ1AB	Tuxedo Classic Club Chair	191
SZ2AB	Tuxedo Classic Settee	376
SZ2AL		
SZ2AN		
SZ2AR		
SZ2CL	Tuxedo Classic Corner Settee	381
SZ2CR		
SZ2ZL		
SZ2ZR		
SZ3AB	Tuxedo Classic Sofa	385
SZ3AL		
SZ3AN		
SZ3AR		
SZ3CL	Tuxedo Classic Corner Sofa	389
SZ3CR		
SZ3ZL		
SZ3ZR		
TB100	Distil Desk	423
TB200	Distil Table	424
TE0204	Nelson™ Thin Edge Double Dresser	560
TE1618	Nelson™ Thin Edge Bedside Table	555
TE2100	Nelson™ Thin Edge Chest	556
TE2134	Nelson™ Thin Edge Cabinet	557
TE2167	Nelson™ Thin Edge Buffet	559
TE3400	Nelson™ Thin Edge Chest Cabinet	558
TE5088	Nelson™ Daybed	639
TE5089		
TE5090		
TE5491	Nelson™ Thin Edge Bed	640
TE5492		
TE5493		
TE5494		
TE5495		
TT1AA	Wood Base Club Chair	217
TT1AW		
TT1BA	Wood Base Ottoman	220
TT1BW		

Index: Product Number

Index by Product Number *continued*

Index: Product Number

TT2AA	Wood Base Settee	411
TT2AW		
TT3AA	Wood Base Sofa	414
TT3AW		
XXSD1	Stanley Chair	94
XXSD2	Mila Chair	712, 47
XXSD2	Traffic Armchair Leather	133
XXSD2	Traffic Armchair Upholstered	132
XXSD2	Traffic Armchair Upholstered (Suitable for Outdoor Use)	134
XXSD2	Traffic Chaise Lounge Leather	142
XXSD2	Traffic Chaise Lounge Upholstered	141
XXSD2	Traffic One-Seater Bench Leather	275
XXSD2	Traffic One-Seater Bench Upholstered	273
XXSD2	Traffic One-Seater Bench Upholstered (Suitable for Outdoor Use)	274
XXSD2	Traffic Platform Leather	280
XXSD2	Traffic Platform Upholstered	279
XXSD2	Traffic Tablet in Acrylic Stone	143
XXSD2	Traffic Three-Seater Sofa Leather	140
XXSD2	Traffic Three-Seater Sofa Upholstered	138
XXSD2	Traffic Three-Seater Sofa Upholstered (Suitable for Outdoor Use)	139
XXSD2	Traffic Two-Seater Bench Leather	278
XXSD2	Traffic Two-Seater Bench Upholstered	276
XXSD2	Traffic Two-Seater Bench Upholstered (Suitable for Outdoor Use)	277
XXSD2	Traffic Two-Seater Sofa Leather	137
XXSD2	Traffic Two-Seater Sofa Upholstered	135
XXSD2	Traffic Two-Seater Sofa Upholstered (Suitable for Outdoor Use)	136
XXTV2	Traffic Low Side Table	540, 532
XXTV2	Traffic Low Side Table, Suitable for Outdoor Use	541, 533
XXTV2	Traffic Low Square Table	538
XXTV2	Traffic Low Square Table, Black HPL Top	531
XXTV2	Traffic Low Square Table, Suitable for Outdoor Use	539
XXTV2	Traffic Low Square Table, White HPL Top	530
XXTV2	Traffic Low Table	536
XXTV2	Traffic Low Table, Black HPL Top	529
XXTV2	Traffic Low Table, Suitable for Outdoor Use	537
XXTV2	Traffic Low Table, White HPL Top	528

20-Day or Less/Assigned Lead-Time Order Information

20-Day or Less and Assigned Lead-Time Programs

20-day or less and assigned lead-time products are designed for established Herman Miller dealers with pre-approved credit.

Products are distributed from multiple manufacturing facilities across the United States. All products and options not designated by an Assigned Lead-Time icon **A** will ship in 20 business days or less after being acknowledged by Herman Miller. Products and options designated by an **A** are on the assigned lead-time program and will ship in 20 days, less than 20 days, or more than 20 days from order acknowledgement.

Ordering Procedure

Please place orders through Order Manager. If this is not available to you, place orders through mail or fax. Verbal purchase orders will not be accepted.

Order Entry fax number for Passage®, 5000 Series, and Meridian® Filing and Storage: (616) 846 9236.

Order Entry fax number for all other products:
(616) 654 3085.

For more information, contact your Customer Care representative at:
(866) 854 3048 EXT 3400.

Shipments and Delivery

Per Herman Miller Terms and Conditions.

Changes and Cancellation

Per Herman Miller Terms and Conditions.

Stain-to-Match Program

Stain-to-Match Program

Program Overview

The Stain-to-Match program gives you the option of using veneer finishes that are not listed in the standard offering. The program allows Herman Miller to match a customer's existing recut or natural veneer, or create a new finish that is unique to an installation.

Specific information on approval, ordering, pricing, and warranty for the Stain-to-Match program is listed below. Questions and requests for assistance may be directed to Herman Miller Options at:

(800) 654 3910

Stain-to-Match Process

1. Fill out the Options Stain-to-Match Request Form and send along with a color sample (2" x 3" minimum) to the Herman Miller Options Applications Team at the address provided on the form. The form can be found on Omni.
2. Within 7-10 working days, Herman Miller Options will send a sample of the color-matched stain on Herman Miller veneer to the requester for the customer's signed approval.
3. If the sample meets the customer's approval, sign the reverse side of the sample, scan and email the approval to:
options@hermanmiller.com.
4. After the stain has been approved, a formal quotation with special number and pricing can be provided, or the product can be specified through the Vary Easy program, if available. Work with the Options team on final product needs and how to specify.
5. A purchase order can then be placed.

Stain-to-Match Warranty

Herman Miller warrants its products to be free from defects in craftsmanship from the date of delivery for the applicable warranty period. Herman Miller is responsible for the physical properties of the veneers available through the Stain-to-Match program, which include:

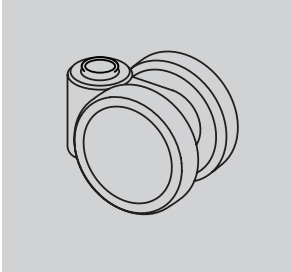
- STA: Stain-to-Match on Recut Ash
- STB: Stain-to-Match on Beech
- STC: Stain-to-Match on Cherry
- STD: Stain-to-Match on Oak
- STK: Stain-to-Match on Reltech Anigre (Geiger)
- STM: Stain-to-Match on Recut Mahogany
- STP: Stain-to-Match on Maple
- STU: Stain-to-Match on Walnut (Geiger)

See your specification tool for product specific finish offering limitations.

Casters and Glides

▲	WARNING	▲
Depending on the floor surface, chair may unexpectedly roll away from user when entering or exiting the chair, possibly leading to unexpected injury. Please refer to descriptions of floor types when selecting casters.		

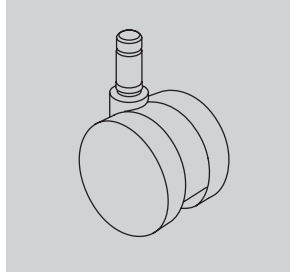
32 Caster



17/8-inch-diameter hard double-wheel caster; black nylon wheels and yoke; for use on carpet only

Applicable on:
Keyn Chairs
Sayl® Chairs

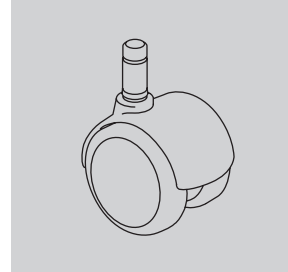
BB Caster



2 1/2-inch-diameter hard double-wheel caster; black nylon wheels and yoke; for use on carpet only

Applicable on:
New Aeron® Chairs
Caper® Chairs
Celle® Chairs
Embody® Chairs
Equa 2® Chairs
Ergon 3® Chairs
Lino™ Chairs Sayl Chairs
Mirra 2 Chairs Verus™ Chairs

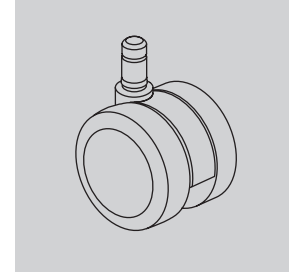
BSC Caster



2-inch-diameter double-wheel caster; black nylon wheels and hood; soft polyurethane tread; for use on hard floors or carpet

Applicable on:
Eames® Aluminum Group
Eames Executive Chairs
Eames Soft Pad Group
Eames Task Chairs

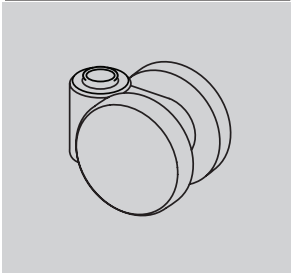
C9 Caster



2 1/2-inch-diameter double-wheel caster; black nylon wheels and yoke; soft polyurethane tread; internal brake; for use on hard floors or carpet

Applicable on:
Caper Chairs
Celle Chairs
Embody Chairs
Equa 2 Chairs
Ergon 3 Chairs
Keyn Chairs Sayl Chairs
Lino Chairs Setu® Stools
Mirra 2 Chairs Verus Chairs

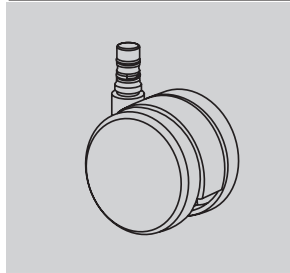
49 Caster



17/8-inch-diameter soft double-wheel caster; black nylon wheels and yoke; for use on hard floors or carpet

Applicable on:
Keyn Chairs
Sayl Chairs

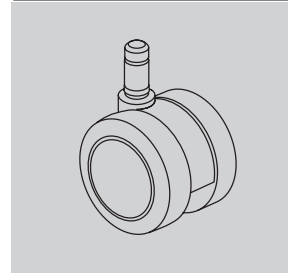
BKS Caster



2 1/2-inch-diameter hard double-wheel caster; black yoke; quiet roll technology; for use on carpet only

Applicable on:
Cosm™ Chairs

C7 Caster



2 1/2-inch-diameter double-wheel caster; black nylon wheels and yoke; soft polyurethane tread; for use on hard floors or carpet

Applicable on:
New Aeron Chairs
Caper Chairs
Celle Chairs
Embody Chairs
Equa 2 Chairs
Ergon 3 Chairs
Lino Chairs
Mirra 2 Chairs
Sayl Chairs Verus Chairs

CA Caster



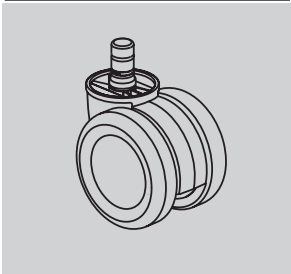
2-inch-diameter single-wheel caster; black rubber wheel with black yoke; for use on hard floors or carpet

Applicable on:
Co/Struc® System

Casters and Glides

continued

DC1 Caster

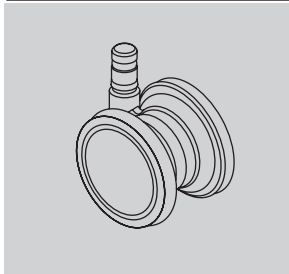


2 1/2-inch-diameter double-wheel braking caster; black nylon wheels and yoke; for use on hard floors or carpet; quiet roll technology

Applicable on:

New Aeron Chairs

H9 Caster

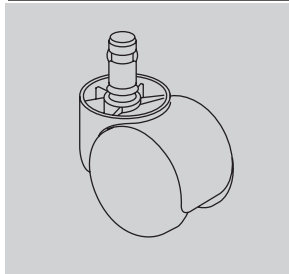


2 1/2-inch-diameter double-wheel caster; clear polycarbonate wheels; nylon yoke; soft polyurethane tread; for use on carpet only.

Applicable on:

Embody Chairs
Keyn Chairs
Setu Chairs

HW Caster

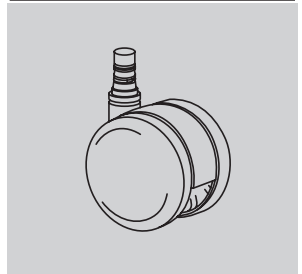


2-inch-diameter double-wheel caster; black nylon wheels and hood; for use on carpet only

Applicable on:

Limerick® Cart

O2 Caster

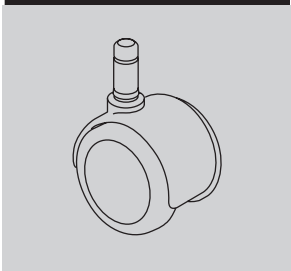


2 1/2-inch-diameter double-wheel caster; nylon wheels and yoke; soft polyurethane tread; quiet roll technology; for use on hard floors or carpet

Applicable on:

Cosm Chairs

DS Caster

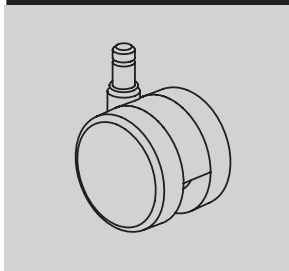


2-inch-diameter soft double-wheel braking caster; black nylon wheels and hood; for use on hard floors only

Applicable on:

Aside® Chairs
Caper Chairs

HCC Caster

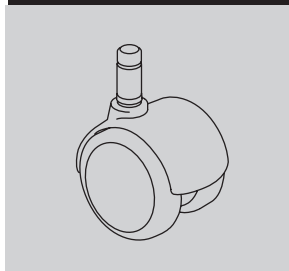


2 1/2-inch-diameter double-wheel medium roll resistance caster; black yoke; for use on hard floors or carpet.

Applicable on:

Keyn Chairs
Setu Chairs

MD Caster

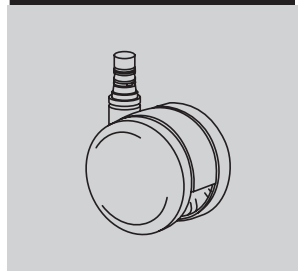


2-inch-diameter double-wheel caster; black nylon wheels with integral chrome hood; soft polyurethane tread; for use on hard floors or carpet

Applicable on:

Eames® Aluminum Group
Eames Executive Chairs
Eames Soft Pad Group
Eames Task Chairs

OC Caster



2 1/2-inch-diameter double-wheel medium roll-resistant caster; black nylon wheels and yoke; soft polyurethane tread; for use on hard floors or carpet; quiet roll technology

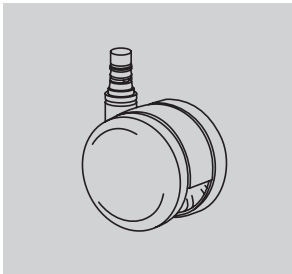
Applicable on:

Cosm Chairs
Keyn Chairs
Setu Chairs

Casters and Glides

continued

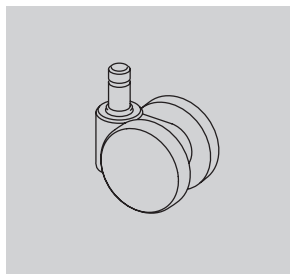
SC8 Caster



2 1/2-inch-diameter double-wheel caster; black nylon wheels and yoke; soft polyurethane tread; quiet roll technology; for use on hard floors or carpet

Applicable on:
Cosm Chairs
Mirra 2 Chairs

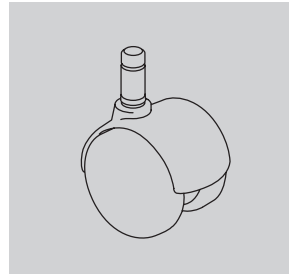
U4 Caster



1 7/8-inch-diameter hard double-wheel caster; black nylon wheels and yoke; for use on carpet only

Applicable on:
Aside Chairs
Caper Chairs
Verus Chairs

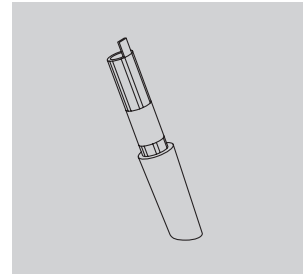
UD Caster



2-inch-diameter hard double-wheel caster; black nylon wheels with painted hood; for use on carpet only

Applicable on:
Eames® Aluminum Group
Eames Executive Chairs
Eames Soft Pad Group
Eames Task Chairs

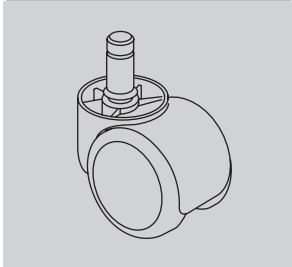
16 Glide



(Front glide shown)
2 1/8-inch-high glide; black or fog acetal; for use on carpet only

Applicable on:
Sayl Chairs

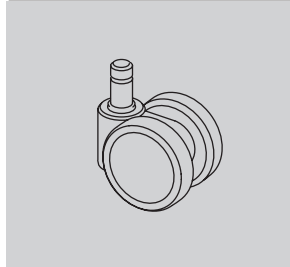
SW Caster



2-inch-diameter soft double-wheel caster; black nylon wheels and hood; for use on hard floors only

Applicable on:
Limerick Cart

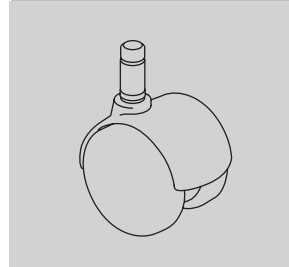
U5 Caster



1 7/8-inch-diameter soft double-wheel caster; black nylon wheels and yoke; for use on hard floors or carpet

Applicable on:
Aside Chairs
Caper Chairs
Verus Chairs

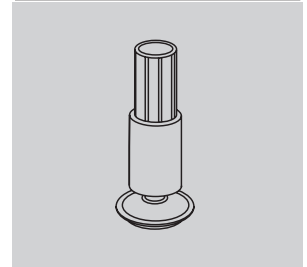
VD Caster



2-inch-diameter hard double-wheel caster; black nylon wheels with integral chrome hood; for use on carpet only

Applicable on:
Eames Aluminum Group
Eames Executive Chairs
Eames Soft Pad Group
Eames Task Chairs

69 Glide



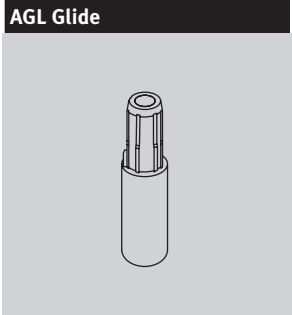
(Front glide shown)
2 1/8-inch-high glide; black glass-filled nylon stem; steel-plated swivel foot with Floor Saver Glide™ insert; for use on hard floors only

Applicable on:
Sayl Chairs

Casters and Glides

continued

Appendix: Casters and Glides



AGL Glide
 2¹/₄-inch-high glide; black or white nylon stem; for use on carpet only
 Applicable on:
 Keyn Chairs



G4 Glide
 1⁷/₈-inch-high glide; black acetal; for use on carpet only
 Applicable on:
 Verus Chairs



GF Glide
 2¹/₂-inch-high glide; black nylon; for use on hard floors or carpet
 Applicable on:
 New Aeron Chairs
 Caper Chairs
 Celle Chairs
 Cosm Chairs
 Equa 2 Chairs
 Ergon 3 Chairs
 Lino Chairs
 Mirra 2 Chairs
 Sayl Chairs
 Verus Chairs



GL Glide
 1⁷/₈-inch-high glide; black nylon stem; steel-plated swivel foot with Floor Saver Glide™ insert; for use on hard floors only
 Applicable on:
 Verus chairs



FSG Glide
 2¹/₄-inch-high glide; black or white nylon stem; steel-plated swivel foot with Floor Saver Glide™ insert; for use on hard floors only
 Applicable on:
 Keyn Chairs



GD Glide
 1¹/₂-inch-diameter glide; 1/2 inch in height; black nylon; for use on hard floors or carpet
 Applicable on:
 Eames Aluminum Group
 Eames Executive Chairs
 Eames Soft Pad Group
 Eames Task Chairs



GG Glide
 1/2-inch-high ganging glide; clear polycarbonate; for use on hard floors or carpet
 Applicable on:
 Limerick Chairs



HG Glide
 1/2-inch-high glide; black nylon glide with stainless-steel insert; for use on hard floors or carpet
 Applicable on:
 Aside Chairs

Casters and Glides

continued

SB Glide

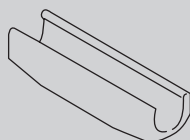


1/4-inch-high, 1-inch diameter glide; thermoplastic CAP material (G1 base has black glides; XT base has clear glides); for use on hard floors or carpet

Applicable on:

Equa 2 Chairs

SG Glide (for Limerick)

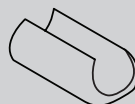


1/2-inch-high glide; clear polycarbonate; for use on hard floors or carpet

Applicable on:

Limerick Chairs

XS Glide

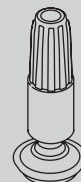


1/8-inch-high glide; polycarbonate in black, fog, clear, and studio white finishes; for use on hard floors or carpet

Applicable on:

Sayl Chairs

YX Glide



1 7/8-inch-high glide; black nylon stem; steel-plated swivel foot with Floor Saver Glide™ insert; for use on hard floors only

Applicable on:

Caper Chairs

SG Glide (for Aside)

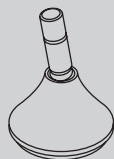


1/2-inch-high glide; black nylon; for use on carpet only

Applicable on:

Aside Chairs

X8 Glide



Glide; low profile; for use on hard floors or carpet

Applicable on:

Setu Chairs

Y7 Glide



1 7/8-inch-high glide; black acetal; for use on carpet only

Applicable on:

Caper Chairs



Customer's Own Material/Customer's Own Leather Order Information — Seating

Packaging

Packaging varies according to individual product. A surcharge may be added for special packaging requests. Contact Customer Care for specific information.

Customer's Own Material/Customer's Own Leather

Program Overview

The Customer's Own Material (COM) and Customer's Own Leather (COL) program gives you the option of using textiles other than those listed. Herman Miller will test textiles for application to Herman Miller products and will process orders for those with approved COM/COL textiles only. COM/COL are assigned lead-time textiles.

Omni lists an overview of fabrics and leathers that have been tested and indicates whether or not they were approved for application to Herman Miller products.

Specific information on the terms and conditions, testing, approval, and ordering process for COM/COL is listed below. Questions about the COM/COL program and requests for assistance may be directed to your COM representative at:

(616) 654 3400

(866) 854 3048 EXT 6543400

Customer's Own Material/Customer's Own Leather Warranty

Herman Miller does not warrant COM/COL textiles. COM/COL textiles are tested for application only; they are not tested for performance. The Herman Miller warranty does apply to the underlying products.

Suppliers of COM/COL textiles are responsible for color consistency within commercial tolerances, UV stability, and resistance to soiling and perspiration.

Customer's Own Material/Customer's Own Leather Pricing

COM is a Category 1 fabric. There are no application charges for COM fabrics. COL is a Category 7 textile; refer to prices on specific products to determine the application charge.

Ordering and payment for COM/COL textile yardage are the responsibility of the customer and the textile supplier.

If desired, Herman Miller will purchase COM textiles directly from True Textiles, C.F. Stinson, Luna Textiles, Maharam, and Momentum Textiles to simplify ordering and shipment. For this service, refer to the Supplier Connection program.

Textile Approval

1. Select a COM/COL textile and a Herman Miller product.
2. If your textile is not listed in Omni, obtain a test number from a COM representative at (616) 654 3400. You can also submit your request within Omni. Please have the following information ready before calling: textile name, number, pattern, roll width, and the product you will apply it to.

Additional yardage may be needed due to the unique characteristics of a textile. All package labels must include the words "COM test" or "COL test" and the assigned COM/COL test number.

3. Herman Miller will notify you of approval or disapproval within 4 days from receipt of the test yardage.

Ordering Products with COM/COL

1. Refer to the specific products to determine the yardage required for COM/COL textiles.
2. If your textile is not listed in Omni, call a COM representative at (616) 654 3400 or (866) 854 3048 EXT 6543400. The representative will assign an identification number for your textile (ID#) and will verify yardage requirements for your order. Additional yardage may be needed due to the unique characteristics of a textile.
3. Enter your order on Order Manager in Omni.
4. Upon receipt of your purchase order, Herman Miller will send you a PO acknowledgment.
5. Arrangements must be made for the textiles to be shipped from the supplier to Herman Miller for application to the seating products. Textiles must be tagged with the assigned identification number and the roll yardage quantity. See Omni for shipping procedures and current shipping addresses or contact a COM representative at (616) 654 3400 or (866) 854 3048 EXT 6543400.

Products will be scheduled for production when COM/COL textiles are received at Herman Miller. Standard lead times in effect at that time will apply.

Note: If textiles are to be purchased directly by Herman Miller through the Supplier Connection program, Herman Miller will handle the ordering and shipping process and will schedule your order for production upon receipt of your purchase order (dependent on textile availability). Refer to the Supplier Connection program for more information.

Customer's Own Material/Customer's Own Leather Order Information — Seating

continued

Supplier Connection

Program Overview

The Supplier Connection program is a service offered by Herman Miller to purchase approved COM textiles directly from True Textiles, C.F. Stinson, Luna Textiles, Maharam, and Momentum Textiles. When you select a textile through this program, Herman Miller will facilitate the ordering, scheduling, and shipment of the textile directly with the supplier.

Suppliers included in the Supplier Connection program keep an active inventory of textiles that are pre-approved for application to Herman Miller products. Pre-approval applies only to the suitability of a textile for manufacturing and application to a Herman Miller product. Omni provides an overview of fabrics that have been tested and indicates whether or not they were approved for application to Herman Miller products.

Specific information on the terms and conditions, testing, approval, and ordering process for the Supplier Connection program is listed below. Questions and requests for assistance may be directed to your COM representative at:

(616) 654 3400

(866) 854 3048 EXT 6543400

Supplier Connection Warranty

Textiles purchased by Herman Miller through the Supplier Connection program are COM and are not warranted by Herman Miller. COM textiles are tested for application only; they are not tested for performance. The Herman Miller warranty does apply to the underlying products.

Suppliers of COM textiles are responsible for color consistency within commercial tolerances, UV stability, and resistance to soiling and perspiration.

Supplier Connection Pricing

Textiles purchased by Herman Miller through the Supplier Connection program are COM. COM is a Category 1 fabric. There are no application charges for COM fabrics.

Payment for textiles purchased by Herman Miller through the Supplier Connection program is the responsibility of the customer or dealer. Herman Miller will invoice the order at the supplier's prices published at the time of the order.

Textile Approval

1. Refer to Omni to identify the approval status of the textile. If your textile is not listed, contact the COM Department to request testing for application to Herman Miller products.
2. Herman Miller will notify you of approval or disapproval in approximately 4 days from receipt of the test yardage. If the textile is approved, it will be assigned a COM identification number.

Ordering Products with Supplier Connection COM

1. Identify and include the following information on your purchase order:
 - Product number and option
 - Herman Miller's COM identification number
2. Enter your order on Order Manager in Omni.
3. Upon receipt of the purchase order, Herman Miller will process your order and send you a PO acknowledgment. Herman Miller will determine the yardage required to produce your product and will order and schedule for delivery the required textile. Standard lead times in effect at the time the textile is allocated at the supplier will apply to products ordered through this program.

Proprietary Textiles Application Chart — Collection Seating, HermanMiller

• Available

[A] Assigned lead-time textile.
See below for exception notes.

[N] Non-woven textile.

* Available in select colors on 20-day lead-time. Refer to “Proprietary Textile Colors - Collection Seating”.

	Bevel Sofa Group	Bolster Sofa Group	Chadwick Modular Seating	ColourForm Sofa Group	Eames® Aluminum Group Outdoor	Eames Aluminum Group Chairs/Ottomans	Eames Executive Chairs	Eames Lounge Chairs/Ottomans	Eames Molded Fiberglass/Plastic/Wood Chairs Upholstered Seat Pad	Eames Molded Fiberglass/Plastic Chairs Upholstered	Eames Molded Plywood Chair Upholstered	Eames Sofa, 2 and 3 Seat	Eames Sofa Compact	Eames Soft Pad Chairs	Eames Task Chair	Eames Wire Seating	Goetz™ Sofa	Lispenard Sofa Group	Module Lounge Seating	Nelson™ Daybed Cushion/Bolsters	Nelson Marshmallow Sofa	Nelson Pedestal Stool	Nelson Platform Bench Cushion	Striad Lounge Chair/Ottoman	Wireframe™ Sofa Group	
Price Category 1																										
COM	Customer's Own Material [A]	1	1			1	1				1	1	13	1		1	1		1		1	1	1			1
3DE__	Dex	•	•						•		•		13				•		•			•	•			•
95__	Gem						•				•		13	•			•						•			•
4W__	Lyrus 2™																									
1MN__	Monologue	•	•			•	•				•		13				•		•			•	•			•
235__	Tailored												13	•			•						•	•		•
1WS__	Whisper	•	•			•					•						•		•			•	•			•
Price Category 2																										
3AR__	Aristo	•	•						•		•		13			•	•		•			•	•	•		•
92__	Crepe					•	•		•				13	•	•		•			•			•	•		•
3EP__	Epic	•	•						•				13				•		•				•	•		•
22Q__	Fish Net										•		13				•						•	•		•
1MV__	Marvel [N]																						•	•		•
1HA__	Medley	•	•	•		•	•		•	•	•		13	•	•	•	•	•	•	•		•	•	•		•
3A__	Moiré					•	•						13				•						•	•		•
30__	Rhythm										•						•					•	•			•
1RV__	Rivet					•					•		13	•			•		•			•	•			•
3SL__	Sequel [N]					•	•		•	•	•		13	•	•	•	•	•	•		•	•	•		16	•
8R__	Twist					•	•				•		13	•			•		•			•	•			•
22T__	Well Suited										•						•						•			•
Price Category 3																										
3AC__	Ace [N]	•	•			•	•		•	•	•		13	•			•		•			•	•			•
70__	Bento																						•	•		•
216__	Cambrai - Geiger Textile	•	•	•															•				•	•		•
ZM2__	Meld - Maharam [A] *	•	•										13				•			•	•	•	•			•
1MP__	Mini Plaid - Geiger Textile	•	•																•				•	•		•
198__	Pinpoint - Geiger Textile	•	•										13				•		•				•	•		•
22R__	Pins and Needles												13				•						•	•		•
180__	Saille - Geiger Textile	•	•	•		•					•		13	5			•		•				•	•		•
22V__	String Plaid						•				•		13	•			•		•				•	•		•
167__	Tweed Stripe - Geiger Textile	•	•								•		13				•		•				•	•		•
Price Category 4																										
1AK__	Bateau - Geiger Textile	•	•								•								•				•	•		•
7Y__	Bingo [A][N]					•	•	•					13			•	•					•	•			•
1AG__	Braid - Geiger Textile	•	•								•		13						•				•	•		•
54__	Cygnus™						7																			
1AE__	Derby - Geiger Textile	•	•																•							
1AF__	Fringe - Geiger Textile	•	•										13						•				•	•		•
1AT__	Irregular Grid - Geiger Textile	•	•								•								•				•	•		•
1AL__	Kalista - Geiger Textile	•	•			•	•						13	•					•				•	•		•
1MH__	Micro Houndstooth - Geiger Textile	•	•																•				•	•		•
173__	Modo - Geiger Textile [N]	•	•			•	•						13	•					•				•	•		•
1AU__	Piccolo - Geiger Textile	•	•								•								•				•	•		•
197__	Ottoman - Geiger Textile	•	•			•					•		13						•				•	•		•
8Y__	Spools					•	•						13	•					•				•	•		•
22P__	Strata						•						13						•				•	•		•

continued on next page

Proprietary Textiles Application Chart — Collection Seating, HermanMiller

continued

• Available

A Assigned lead-time textile.
See below for exception notes.

	Bevel Sofa Group	Bolster Sofa Group	Chadwick Modular Seating	ColourForm Sofa Group	Eames® Aluminum Group Outdoor	Eames Aluminum Group Chairs/Ottomans	Eames Executive Chairs	Eames Lounge Chairs/Ottomans	Eames Molded Fiberglass/Plastic/Wood Chairs Upholstered Seat Pad	Eames Molded Fiberglass/Plastic Chairs Upholstered	Eames Molded Plywood Chair Upholstered	Eames Sofa, 2 and 3 Seat	Eames Sofa Compact	Eames Soft Pad Chairs	Eames Task Chair	Eames Wire Seating	Goetz™ Sofa	Lispenard Sofa Group	Module Lounge Seating	Nelson™ Daybed Cushion/Bolsters	Nelson Marshmallow Sofa	Nelson Pedestal Stool	Nelson Platform Bench Cushion	Striad Lounge Chair/Ottoman	Wireframe™ Sofa Group
Price Category 5																									
1GA__ Bouclé - Geiger Textile	•	•									•		13				•		•				•		•
1AQ__ Button-Up - Geiger Textile	•	•				•					•		13	•			•		•				•	•	•
1AD__ Dapper - Geiger Textile	•	•											13				•		•						•
168__ Essential Twill - Geiger Textile	•	•																	•						•
193__ Herringbone - Geiger Textile													13												•
14A__ Hopsak	•	•	•	•		•			•	•	•		13		•	•	•	•	•	•		•	•	•	•
1AS__ Iota - Geiger Textile	•	•											13				•		•				•	•	•
195__ Iron Cloth - Geiger Textile																									
22N__ Noble (22H__)	•	•	•	•			•		•	•	•	•	13	•	•	•	•	•	•	•		•	•	•	•
1AP__ Pixel Stripe - Geiger Textile	•	•					•						13										•	•	•
1AR__ Straightaway - Geiger Textile	•	•											13				•		•				•	•	•
199__ Striae - Geiger Textile	•	•																	•						•
218__ Threads - Geiger Textile	•	•																	•						•
174__ Vavare - Geiger Textile	•	•											13						•						•
Price Category 6																									
165__ Classic Velvet - Geiger Textile	•	•											13							•				•	•
1AM__ Gridwork - Geiger Textile	•	•											13					•		•				•	•
72__ Outdoor Weave						•																			
170__ Pick-Stitch Plaid - Geiger Textile	•	•										•							•	•					•
1AJ__ Sommar - Geiger Textile	•	•					•	•					13	•					•				•	•	•
200__ Tattersall Reverse - Geiger Textile	•	•						•					13					•				•	•		•
Price Category 7																									
COL Custom& Own Leather A								1	1				1	1			1		1	1	1	1			1
1AX__ Bellano - Geiger Textile	•	•						•	•	•	•	•	•	•				•		•		•	•	•	•
172__ Capri - Geiger Textile	•	•		•															•				•	•	•
189__ Corduroy Plaid - Geiger Textile	•	•																	•						•
220__ Double Beam Redux - Geiger Textile	•	•					•	•					•	•				•		•			•	•	•
1GC__ Epinglé - Geiger Textile	•	•											13	•					•						•
171__ Milaner - Geiger Textile	•	•						•	•				13	•				•		•			•	•	•
1AN__ Pantile - Geiger Textile	•	•											13					•		•					•
1AV__ Panno Di Dolce - Geiger Textile	•	•								•			•	•	•	•			•				•	•	•
1AW__ Resca - Geiger Textile	•	•								•			•	•				•		•			•	•	•
163__ Sateen Weave - Geiger Textile	•	•																	•						•
224__ True Herringbone - Geiger Textile	•	•											•	•					•				•	•	•
169__ Twill Plaid - Geiger Textile	•	•											•	•					•				•	•	•
201__ Velvet Plaid - Geiger Textile	•	•																	•						•
217__ Vesture - Geiger Textile	•	•																	•						•
162__ Wool Epinglé - Geiger Textile	•	•																	•						•
202__ Wool Satin - Geiger Textile	•	•											13	•					•						•
166__ Wool Tweed - Geiger Textile	•	•		•									•	•				•		•			•	•	•
Price Category 8																									
187__ Basketweave - Geiger Textile																			•						•
161__ Staple - Geiger Textile																									•
1AY__ Striscia - Geiger Textile										•		•		•					•				•	•	•
Price Category 9																									
185__ Alpaca Mohair - Geiger Textile	•	•																	•		•				•
223__ Corded Stripe - Geiger Textile	•	•																	•						•
21__ Leather	•	•				•	•	•	•		•	•		•	•	•	•			•		•	•	•	•

continued on next page

Proprietary Textiles Application Chart — Collection Seating, HermanMiller

continued

• Available

[A] Assigned lead-time textile.
See below for exception notes.

[N] Non-woven textile.

	Bevel Sofa Group	Bolster Sofa Group	Chadwick Modular Seating	ColourForm Sofa Group	Eames® Aluminum Group Outdoor	Eames Aluminum Group Chairs/Ottomans	Eames Executive Chairs	Eames Lounge Chairs/Ottomans	Eames Molded Fiberglass/Plastic/Wood Chairs Upholstered Seat Pad	Eames Molded Fiberglass/Plastic Chairs Upholstered	Eames Molded Plywood Chair Upholstered	Eames Sofa, 2 and 3 Seat	Eames Sofa Compact	Eames Soft Pad Chairs	Eames Task Chair	Eames Wire Seating	Goetz™ Sofa	Lispenard Sofa Group	Module Lounge Seating	Nelson™ Daybed Cushion/Bolsters	Nelson Marshmallow Sofa	Nelson Pedestal Stool	Nelson Platform Bench Cushion	Striad Lounge Chair/Ottoman	Wireframe™ Sofa Group
Price Category 10																									
5-5__ Bristol Leather - Geiger Textile (5-6__)	•	•				•	•	•			•	•		•			•		•			•	•	•	•
196__ Moleskin Emboss - Geiger Textile												13					•								•
Price Category 11																									
1R__ MCL Leather [A]	•	•				•	•	•	•		•	•		•			•		•			•	•	•	•
175__ Tenera Leather - Geiger Textile	•	•				•	•	•			•	•		•			•		•			•	•	•	•

1 Refer to price book appendices and Omni for COM/COL information.
 5 Not available in Saille 18005 White on Eames Soft Pad Group Chairs/Ottomans.
 7 Available only on Eames Aluminum Group Chair EA334, EA335.

13 Fabric is railroaded.
 16 Not available on Striad Chair cushions.



Proprietary Textiles Application Chart — Collection Seating, Geiger

• Available

[A] Assigned lead-time textile.
See below for exception notes.

[N] Non-woven textile.

* Available in select colors on 20-day lead-time. Refer to “Proprietary Textile Colors - Collection Seating”.

	Brabo™ Lounge Seating	Bumper™ Seating	Crosshatch™ Lounge Seating	Envelope™ Chair	Full Twist™ Chair	Landmark™ Chair	Leeway™ Seating	Nessel™ Chair	Reframe™ Lounge Seating High-Back Chair	Reframe Lounge Seating Mid-Back Chair	Reframe Lounge Seating Wing-Back Chair	Rolled Arm™ Sofa Group	Saiba™ Seating	Scissor™ Chair	Sled™ Chair	Taper™ Chair	Tuxedo Component Lounge™/Tuxedo Classic Seating—Non-quilted	Tuxedo Component Lounge™/Tuxedo Classic Seating—Quilted	Wood Base™ Lounge Seating
Price Category 1																			
COM Customers Own Material [A]																			
3DE__ Dex	•																		
95__ Gem			•				•												
4W__ Lyris 2™									•	•									
1MN__ Monologue	•	•	•	•	•	•	•	•											
235__ Tailored	•	•	•	•	•	•	•	•	•	•							•	•	•
1WS__ Whisper	•	•	•	•	•	•	•	•									•	•	•
Price Category 2																			
3AR__ Aristo	•	•	•	•	•	•	•	•											
92__ Crepe																			
3EP__ Epic													•						
22Q__ Fish Net	•	•	•	•	•	•	•	•											
1MV__ Marvel [N]	•	•	•	•	•	•	•	•											
1HA__ Medley	•	•	•	•	•	•	•	•											
3A__ Moiré																			
30__ Rhythm				•				•											
1RV__ Rivet	•	•	•	•	•	•	•	•	•	•									
3SL__ Sequel [N]	•	•	•	•	•	•	•	•											
8R__ Twist									•	•									
22T__ Well Suited									•	•									
Price Category 3																			
3AC__ Ace [N]	•	•	•	•	•	•	•	•											
70__ Bento																			
216__ Cambrai - Geiger Textile																			
ZM2__ Meld - Maharam [A] *	•	•	•	•	•	•	•	•	•	•									
1MP__ Mini Plaid - Geiger Textile	•	•	•	•	•	•	•	•											
198__ Pinpoint - Geiger Textile	•	•	•	•	•	•	•	•											
22R__ Pins and Needles	•	•	•	•	•	•	•	•											
180__ Saille - Geiger Textile	•	•	•	•	•	•	•	•	•	•									
22V__ String Plaid	•	•	•	•	•	•	•	•											
167__ Tweeded Stripe - Geiger Textile	•	•	•	•	•	•	•	•											
Price Category 4																			
1AK__ Bateau - Geiger Textile	•		•	•	•	•	•	•											
7Y__ Bingo [A][N]																			
1AG__ Braid - Geiger Textile	•	•	•	•	•	•	•	•											
54__ Cygnus™																			
1AE__ Derby - Geiger Textile	•	•	•		•	•	•	•					•						
1AF__ Fringe - Geiger Textile	•	•	•		•	•	•	•											
1AT__ Irregular Grid - Geiger Textile	•		•	•	•	•	•	•											
1AL__ Kalista - Geiger Textile	•	•	•	•	•	•	•	•											
1MH__ Micro Houndstooth - Geiger Textile	•	•	•	•	•	•	•	•											
173__ Modo - Geiger Textile [N]	•	•	•	•	•	•	•	•											
1AU__ Piccolo - Geiger Textile	•	•	•	•	•	•	•	•											
197__ Ottoman - Geiger Textile	•	•	•	•	•	•	•	•											
8Y__ Spools																			
22P__ Strata	•	•		•	•	•													

continued on next page

Proprietary Textiles Application Chart — Collection Seating, Geiger

continued

• Available

[A] Assigned lead-time textile.
See below for exception notes.

Appendix: Proprietary Textiles Application Chart — Collection Seating, Geiger

	Brabo™ Lounge Seating	Bumper™ Seating	Crosshatch™ Lounge Seating	Envelope™ Chair	Full Twist™ Chair	Landmark™ Chair	Leeway™ Seating	Nessel™ Chair	Reframe™ Lounge Seating High-Back Chair	Reframe™ Lounge Seating Mid-Back Chair	Reframe™ Lounge Seating Wing-Back Chair	Rolled Arm™ Sofa Group	Saiba™ Seating	Scissor™ Chair	Sled™ Chair	Taper™ Chair	Tuxedo Component Lounge™/Tuxedo Classic Seating — Non-quilted	Tuxedo Component Lounge™/Tuxedo Classic Seating — Quilted	Wood Base™ Lounge Seating
Price Category 5																			
1GA__ Bouclé - Geiger Textile	•	•	•	•	•	•	•	•	•	•	•	•	•	•	•	•	•	•	•
1AQ__ Button-Up - Geiger Textile	•	•	•	•	•	•	•	•	•	•	•	•	•	•	•	•	•	•	•
1AD__ Dapper - Geiger Textile	•	•	•	•	•	•	•	•	•	•	•	•	•	•	•	•	•	•	•
168__ Essential Twill - Geiger Textile	•	•	•	•	•	•	•	•	•	•	•	•	•	•	•	•	•	•	•
193__ Herringbone - Geiger Textile	•	•	•	•	•	•	•	•	•	•	•	•	•	•	•	•	•	•	•
14A__ Hopsak	•	•	•	•	•	•	•	•	•	•	•	•	•	•	•	•	•	•	•
1AS__ Iota - Geiger Textile	•	•	•	•	•	•	•	•	•	•	•	•	•	•	•	•	•	•	•
195__ Iron Cloth - Geiger Textile	•	•	•	•	•	•	•	•	•	•	•	•	•	•	•	•	•	•	•
22N__ Noble (22H__)	•	•	•	•	•	•	•	•	•	•	•	•	•	•	•	•	•	•	•
1AP__ Pixel Stripe - Geiger Textile	•	•	•	•	•	•	•	•	•	•	•	•	•	•	•	•	•	•	•
1AR__ Straightaway - Geiger Textile	•	•	•	•	•	•	•	•	•	•	•	•	•	•	•	•	•	•	•
199__ Striae - Geiger Textile	•	•	•	•	•	•	•	•	•	•	•	•	•	•	•	•	•	•	•
218__ Threads - Geiger Textile	•	•	•	•	•	•	•	•	•	•	•	•	•	•	•	•	•	•	•
174__ Vavare - Geiger Textile	•	•	•	•	•	•	•	•	•	•	•	•	•	•	•	•	•	•	•
Price Category 6																			
165__ Classic Velvet - Geiger Textile	•	•	•	•	•	•	•	•	•	•	•	•	•	•	•	•	•	•	•
1AM__ Gridwork - Geiger Textile	•	•	•	•	•	•	•	•	•	•	•	•	•	•	•	•	•	•	•
72__ Outdoor Weave	•	•	•	•	•	•	•	•	•	•	•	•	•	•	•	•	•	•	•
170__ Pick-Stitch Plaid - Geiger Textile	•	•	•	•	•	•	•	•	•	•	•	•	•	•	•	•	•	•	•
1AJ__ Sommar - Geiger Textile	•	•	•	•	•	•	•	•	•	•	•	•	•	•	•	•	•	•	•
200__ Tattersall Reverse - Geiger Textile	•	•	•	•	•	•	•	•	•	•	•	•	•	•	•	•	•	•	•
Price Category 7																			
COL Custom& Own Leather [A]	1																		
1AX__ Bellano - Geiger Textile	•	•	•	•	•	•	•	•	•	•	•	•	•	•	•	•	•	•	•
172__ Capri - Geiger Textile	•	•	•	•	•	•	•	•	•	•	•	•	•	•	•	•	•	•	•
189__ Corduroy Plaid - Geiger Textile	•	•	•	•	•	•	•	•	•	•	•	•	•	•	•	•	•	•	•
220__ Double Beam Redux - Geiger Textile	•	•	•	•	•	•	•	•	•	•	•	•	•	•	•	•	•	•	•
1GC__ Epinglé - Geiger Textile	•	•	•	•	•	•	•	•	•	•	•	•	•	•	•	•	•	•	•
171__ Milaner - Geiger Textile	•	•	•	•	•	•	•	•	•	•	•	•	•	•	•	•	•	•	•
1AN__ Pantile - Geiger Textile	•	•	•	•	•	•	•	•	•	•	•	•	•	•	•	•	•	•	•
1AV__ Panno Di Dolce - Geiger Textile	•	•	•	•	•	•	•	•	•	•	•	•	•	•	•	•	•	•	•
1AW__ Resca - Geiger Textile	•	•	•	•	•	•	•	•	•	•	•	•	•	•	•	•	•	•	•
163__ Sateen Weave - Geiger Textile	•	•	•	•	•	•	•	•	•	•	•	•	•	•	•	•	•	•	•
224__ True Herringbone - Geiger Textile	•	•	•	•	•	•	•	•	•	•	•	•	•	•	•	•	•	•	•
169__ Twill Plaid - Geiger Textile	•	•	•	•	•	•	•	•	•	•	•	•	•	•	•	•	•	•	•
201__ Velvet Plaid - Geiger Textile	•	•	•	•	•	•	•	•	•	•	•	•	•	•	•	•	•	•	•
217__ Vesture - Geiger Textile	•	•	•	•	•	•	•	•	•	•	•	•	•	•	•	•	•	•	•
162__ Wool Epinglé - Geiger Textile	•	•	•	•	•	•	•	•	•	•	•	•	•	•	•	•	•	•	•
202__ Wool Satin - Geiger Textile	•	•	•	•	•	•	•	•	•	•	•	•	•	•	•	•	•	•	•
166__ Wool Tweed - Geiger Textile	•	•	•	•	•	•	•	•	•	•	•	•	•	•	•	•	•	•	•
Price Category 8																			
187__ Basketweave - Geiger Textile	•	•	•	•	•	•	•	•	•	•	•	•	•	•	•	•	•	•	•
161__ Staple - Geiger Textile	•	•	•	•	•	•	•	•	•	•	•	•	•	•	•	•	•	•	•
1AY__ Striscia - Geiger Textile	•	•	•	•	•	•	•	•	•	•	•	•	•	•	•	•	•	•	•
Price Category 9																			
185__ Alpaca Mohair - Geiger Textile	•	•	•	•	•	•	•	•	•	•	•	•	•	•	•	•	•	•	•
223__ Corded Stripe - Geiger Textile	•	•	•	•	•	•	•	•	•	•	•	•	•	•	•	•	•	•	•
21__ Leather	•	•	•	•	•	•	•	•	•	•	•	•	•	•	•	•	•	•	•

continued on next page

Proprietary Textiles Application Chart — Collection Seating, Geiger

• Available

[A] Assigned lead-time textile.
See below for exception notes.

[N] Non-woven textile.

	Brabo™ Lounge Seating	Bumper™ Seating	Crosshatch™ Lounge Seating	Envelope™ Chair	Full Twist™ Chair	Landmark™ Chair	Leeway™ Seating	Nessel™ Chair	Reframe™ Lounge Seating High-Back Chair	Reframe Lounge Seating Mid-Back Chair	Reframe Lounge Seating Wing-Back Chair	Rolled Arm™ Sofa Group	Saiba™ Seating	Scissor™ Chair	Sled™ Chair	Taper™ Chair	Tuxedo Component Lounge™/Tuxedo Classic Seating — Non-quilted	Tuxedo Component Lounge/Tuxedo Classic Seating — Quilted	Wood Base™ Lounge Seating
Price Category 10																			
5-5__ Bristol Leather - Geiger Textile (5-6__)	•	•	•	•	•	•	•	•	•	•	•	•	•	•	•	•	•	•	•
196__ Moleskin Emboss - Geiger Textile	•	•	•	•	•	•	•	•	•	•	•	•	•	•	•	•	•	•	•
Price Category 11																			
1R__ MCL Leather [A]	•	•	•	•	•	•	•	•	•	•	•	•	•	•	•	•	•	•	•
175__ Tenera Leather - Geiger Textile	•	•	•	•	•	•	•	•	•	•	•	•	•	•	•	•	•	•	•

1 Refer to price book appendices and Omni for COM/COL information.
9 Not available in Bristol Leather 5-597 Pure on Saiba Chair.



Proprietary Textile Colors — Collection Seating

Price Category 1

Customer's Own Material

See Order Information in Appendices. Assigned lead-time textile. [A](#)

Dex

54" wide
50% recycled polyester
50% polyester

3DE01	Frost
3DE02	Silver Pine
3DE03	Stone
3DE04	Shale
3DE05	Charcoal

Gem

54" wide
100% antimony-free polyester

9502	Tangerine
9503	Red
9507	Twilight
9508	Bayou
9510	Berry Blue
9511	Aqua Green
9512	Green Apple
9514	Black
9515	Slate Grey
9516	Fog

Lyris 2™

74% elastomeric
26% polyester

4W21	Alpine
4W22	Mango
4W23	Chartreuse
4W25	Berry Blue
4W26	Slate Grey
4W28	Chino
4W29	Rattan
4W30	Java
4W31	Graphite

Monologue

54" wide
56% recycled polyester
44% polyester

1MN01	Linen
1MN02	Alabaster
1MN03	Truffle
1MN04	Folkstone
1MN05	Silver Pine
1MN06	Slate
1MN07	Seed
1MN08	Yellow Oxide
1MN09	Persimmon
1MN10	Tundra
1MN11	Meadow
1MN12	Blue Sky
1MN13	Blue Spruce
1MN14	Deep Sea

Tailored

54" wide
56% polyester
44% recycled polyester

23501	Studio White
23502	Sugar
23503	Tomato
23504	Orchid
23505	Boysenberry
23506	Chive
23507	Bluegrass
23508	Cobalt
23509	Cadet
23510	Fog
23511	Graphite
23512	Black
23513	Coffee

Whisper

54" wide
73% recycled polyester
27% polyester

1WS01	Sand Dollar
1WS02	Pebble
1WS03	Silver Birch
1WS04	Iceberg
1WS05	Silver Pine
1WS06	Carbon
1WS07	Cumin
1WS08	Adobe
1WS09	Strawberry
1WS10	Blush
1WS11	Eggplant
1WS12	Willow
1WS13	Sea Grass
1WS14	Pool
1WS15	Blueberry

Price Category 2

Aristo

54" wide
88% recycled polyester
12% polyester
Acrylic backing

3AR01	Forest Moss
3AR02	Light Brindle
3AR03	Mink
3AR04	Copper
3AR05	Adobe
3AR06	Cherry
3AR07	Lilac
3AR08	Green Apple
3AR09	Surf
3AR10	Waterfall
3AR11	Cadet
3AR12	Tin
3AR13	Pewter
3AR14	Grey Brindle
3AR15	Grey Black

Crepe

54" wide
100% recycled polyester

9201	Licorice
9203	Smoke
9207	Cherry
9209	Claret
9212	Raisin
9218	Aquamarine
9223	Cadet
9241	Beachglass
9243	Midnight
9244	Artichoke
9248	Warm White
9249	Stone
9250	Earth
9251	Fog
9252	Slate Grey
9253	Yellow Dark
9254	Coral
9255	Blush Grey
9256	Wild Berry
9257	Clover
9258	Caribbean

Price category 2 continued on next page

Proprietary Textile Colors — Collection Seating

continued

Price Category 2

Appendix: Proprietary Textile Colors — Collection Seating

Crepe continued

9259	Cerulean
9260	Brownstone
9261	Shale
9262	Graphite
9263	Tomato
9264	Green Apple

Epic

54" wide	
56% recycled polyester	
44% polyester	
Acrylic backing	
3EP01	Alabaster
3EP02	Smoke
3EP03	Falcon
3EP04	Citrus Spring
3EP05	Copper
3EP06	Urban Orange
3EP07	Poppy
3EP08	Wild Plum
3EP09	Sugar Plum
3EP10	Clover
3EP11	Loden
3EP12	Everglade
3EP13	Mist
3EP14	Peacock
3EP15	Cadet
3EP16	Indigo
3EP17	Spring Wood
3EP18	Grey Brindle
3EP19	Seed
3EP20	Carbon Dark

Fish Net

55" wide	
100% recycled polyester	
22Q01	Oyster
22Q02	Stone
22Q03	Citrus
22Q04	Curry
22Q05	Chipotle
22Q06	Cherry
22Q07	Fuschia
22Q08	Claret
22Q09	Purple
22Q10	Clover
22Q11	Pesto
22Q12	Peacock
22Q13	Lagoon
22Q14	Twilight
22Q15	Bluestone
22Q16	Storm
22Q17	Black
22Q18	Cocoa

Marvel

54" wide	
100% pvc-free polyurethane	
antimicrobial, antibacterial finish	
1MV01	Summer White
1MV02	Sand Dollar
1MV03	Espresso
1MV04	Folkstone Grey
1MV05	Graphite
1MV06	Onyx
1MV07	Polar Blue
1MV08	Blush Grey
1MV09	Woodrose
1MV10	Citrus
1MV11	Adobe
1MV12	Red
1MV13	Kiwi Green
1MV14	Pine
1MV15	Teal Green
1MV16	Twilight

Medley

54" wide	
100% polyester	
1HA01	Stone
1HA02	Trail
1HA03	Charcoal
1HA04	Cinder
1HA05	Citrus
1HA06	Papaya
1HA07	Chutney
1HA08	Tundra
1HA09	Feather Grey
1HA10	Chartreuse
1HA11	Loden
1HA12	Peacock
1HA13	Bayou
1HA14	Blue Grotto
1HA15	Blueberry
1HA22	Khaki
1HA23	Pewter
1HA24	Yellow Oxide
1HA25	Vintage Rose
1HA26	Raspberry
1HA27	Acai Berry

Moiré

54" wide	
100% recycled polyester	
3A01	Concrete
3A02	Biscotti
3A03	Rattan
3A04	Chambray
3A05	Fern
3A08	Violet
3A09	Zin
3A10	Curry
3A11	Spice
3A12	Cork

Rhythm

54" wide	
100% polyester	
3001	Kiwi Green
3002	Green Apple
3003	Peacock
3004	Bayou
3005	Berry Blue
3006	Iris
3007	Twilight
3008	Pumpkin
3009	Poppy
3010	Molasses
3011	Mulberry
3012	Khaki
3013	Mink
3014	Black
3015	Charcoal

Rivet

54" wide	
100% recycled polyester	
1RV01	Twig
1RV02	Deep Clay
1RV03	Woodrose
1RV04	Otter
1RV05	Hemlock
1RV06	Olive
1RV07	Lagoon
1RV08	Deep Sea
1RV09	Charcoal
1RV10	Grey Brindle

Price category 2 continued on next page

Proprietary Textile Colors — Collection Seating

continued

Price Category 2

continued

Sequel	
54" wide	
100% vinyl	
100% polyester knit backing	
Resilience® finish	
3SL01	White
3SL02	Pebble
3SL03	Mushroom
3SL04	Stone
3SL05	Chestnut
3SL06	Rattan
3SL07	Black Cherry
3SL08	Tundra
3SL09	Seal
3SL10	Blue Fog
3SL11	Folkstone
3SL12	Shale
3SL13	Slate Grey
3SL14	Charcoal
3SL15	Carbon Dark

Twist	
54" wide	
80% antimony-free polyester	
13% recycled polyester	
7% polyester	
8R05	Wicker
8R10	Poppy
8R14	Tin
8R15	Shale
8R16	Graphite
8R17	Birch
8R18	Sepia
8R22	Blueberry
8R23	Green Apple
8R26	Gunmetal
8R27	Cinder
8R28	Citrus
8R29	Pekoe
8R30	Tangerine
8R31	Red Plum
8R32	Wisteria
8R33	Forest
8R34	Jade Dark
8R35	Waterfall
8R36	Midnight Blue
8R37	Carbon Dark

Well Suited	
55" wide	
79% polyester	
21% recycled polyester	
22T01	Oyster
22T02	Raffia
22T03	Peppermint
22T08	Cool Grey
22T16	Jade
22T17	Peacock
22T18	Blueberry

Price Category 3

Ace	
54" wide	
100% polyurethane	
Polyester knit backing	
Stain resistant finish	
3AC01	Summer White
3AC02	White Ash
3AC03	Rye
3AC04	Metal
3AC05	Clay
3AC06	Chestnut
3AC07	Citrus
3AC08	Camelback
3AC09	Chipotle
3AC10	Claret
3AC11	Slate Purple
3AC12	Artichoke
3AC13	Sepia Dark
3AC14	Aloe
3AC15	Flint
3AC16	Blue Sky
3AC17	Oceanside
3AC18	Midnight
3AC19	Spring Wood
3AC20	Frost
3AC21	Lead
3AC22	Black

Bento	
54" wide	
100% antimony-free polyester	
7001	Frost
7002	Linen
7003	Khaki
7004	Truffle
7005	Grey Black
7006	Pumpkin
7007	Cranberry
7008	Everglade
7009	Cobalt

Cambrai - Geiger Textile	
54" wide	
100% polyester	
Antimicrobial stain resistant finish	
Acrylic backing	
21601	Natural
21602	Khaki
21603	Hemp
21604	Pumice
21605	Lavarock
21606	Carbon
21607	Ink

Meld - Maharam	
54" wide	
68% post-consumer recycled polyester	
32% polyester	
PFOA-Free stain resistant	
ZM201/466387-201	Vast
ZM202/466387-202	Panda *
ZM203/466387-203	Skyline *
ZM204/466387-204	Knight *
ZM205/466387-205	Quill *
ZM206/466387-206	Pipe
ZM207/466387-207	Grate *
ZM208/466387-208	Gloss
ZM209/466387-209	Bulb
ZM210/466387-210	Bride
ZM211/466387-211	Stark
ZM212/466387-212	Seashell

* Colors available on 20-day lead time.

Price category 3 continued on next page

Proprietary Textile Colors — Collection Seating

continued

Price Category 3

continued

Meld *continued*

ZM213/466387-213	Antler
ZM214/466387-214	Crater *
ZM215/466387-215	Perennial
ZM216/466387-216	Mulberry
ZM217/466387-217	Fuchsia *
ZM218/466387-218	Amethyst *
ZM219/466387-219	Merlot
ZM220/466387-220	Magma *
ZM221/466387-221	Rooster
ZM222/466387-222	Heat *
ZM223/466387-223	Clementine
ZM224/466387-224	Fox
ZM225/466387-225	Kiss *
ZM226/466387-226	Bare
ZM227/466387-227	Blonde
ZM228/466387-228	Mimosa
ZM229/466387-229	Comet *
ZM230/466387-230	Honeydew
ZM231/466387-231	Wild *
ZM232/466387-232	Vine
ZM233/466387-233	Seed
ZM234/466387-234	Kale *
ZM235/466387-235	Waterfall *
ZM236/466387-236	Nordic *
ZM237/466387-237	Reef *
ZM238/466387-238	Wave
ZM239/466387-239	Isle
ZM240/466387-240	Creek
ZM241/466387-241	Mariner *
ZM242/466387-242	Globe
ZM243/466387-243	Spa

Mini Plaid - Geiger Textile

56" wide	
100% polyester	
PFOA-Free stain resistant finish	
Acrylic backing	
1MP01	Vintage Ivory
1MP02	Light Gray
1MP03	Ore
1MP04	Coffee Bean
1MP05	Shadow
1MP06	Charcoal
1MP07	Black Onyx
1MP08	Gray Blue
1MP09	Deep Federal
1MP10	Celadon
1MP11	Blaze
1MP12	Lipstick

Pinpoint - Geiger Textile

57" wide	
100% antimony-free polyester	
19810	Cream
19811	Camel
19820	Luggage
19830	Red
19831	Wine
19832	Cordovan
19850	Navy
19870	Trench Dark
19880	Charcoal
19881	Grey

Pins and Needles

58" wide	
76% recycled polyester	
24% polyester	
22R01	Day and Night
22R02	Night and Day

Saille - Geiger Textile

57" wide	
69% cotton	
31% polyester	
PFOA-Free stain resistant finish	
Acrylic backing	
18001	Coal
18002	Shale
18003	Haze
18004	Stone
18005	White *
18006	Beach
18007	Sand
18008	Blush
18009	Brick
18010	Fog
18011	Celadon
18012	Poolside
18013	Summer Sky

* Color not available on Eames®
Soft Pad Group Chairs/Ottomans.

String Plaid

54" wide	
100% recycled polyester	
22V01	Warm White on Khaki
22V02	Mint on Yellow Green
22V03	Mist on Blue Grey
22V04	Sky Blue on Red
22V05	Lime on Magenta
22V06	Bright Green on Green
22V07	Aqua Blue on Cerulean
22V08	Ivory on Black

Tweed Stripe - Geiger Textile

54" wide	
38% polyester	
37% cotton	
18% acrylic	
7% post-industrial recycled cotton	
PFOA-Free stain resistant finish	
16701	Cotton
16702	Cream
16703	Chamois
16704	Golden Gray
16705	Brown Gray
16706	Celadon
16707	Vessel
16708	Gray Blue
16709	Deep Federal
16710	Onyx
16711	Java
16712	Sunset
16713	Citronella

* Colors available on
20-day lead time.

Proprietary Textile Colors — Collection Seating

continued

Price Category 4

Bateau - Geiger Textile

54" wide
56% post-industrial recycled cotton
30% polyester
14% post-industrial recycled polyester
PFOA-Free stain resistant finish

1AK01	Cloud
1AK02	Fawn
1AK03	Breeze
1AK04	Meadow
1AK05	Rafia
1AK06	Dark Sand
1AK07	Steel
1AK08	Milky Way

Bingo

54" wide
100% PVC-free polyurethane

7Y01	Oyster
7Y02	Natural
7Y03	Cashew
7Y05	Rattan
7Y06	Root
7Y07	Woodland
7Y10	Allspice
7Y11	Canyon
7Y17	Seed
7Y18	Mushroom
7Y19	Blue Grey
7Y21	Black
7Y22	Mint
7Y23	Seaport
7Y24	Evening Blue
7Y26	Kiwi Green
7Y27	Celadon
7Y29	Pesto

Braid - Geiger Textile

56" wide
100% polyester

1AG01	Pearl
1AG02	Dark Sand
1AG03	City Night
1AG04	Shadow
1AG05	Midnight Blue

Cygnus™

For Eames® Aluminum Group Chairs
69% elastomeric
31% polyester

5401	Black
5402	Zinc
5403	Quartz

Derby - Geiger Textile

57" wide
50% polyester
34% post-industrial recycled polyester
32% post-consumer recycled polyester
PFOA-Free stain resistant finish
Acrylic backing

1AE01	Antique White
1AE02	Blush
1AE03	Ivory
1AE04	Light Gray
1AE05	Ore
1AE06	Coffee Bean
1AE07	Onyx
1AE08	Cadet Blue
1AE09	Marine
1AE10	Steel Blue
1AE11	Teal
1AE12	Persimmon
1AE13	Cinnabar
1AE14	Dark Scarlet

Fringe - Geiger Textile

54" wide
74% recycled polyester
20% nylon
6% polyester

1AF01	Buckskin
1AF02	Ash Blonde
1AF03	Silver Bay
1AF04	Perfect Taupe
1AF05	Morning Sky
1AF06	Lapis
1AF07	Indigo
1AF08	Paprika
1AF09	Deep Red
1AF10	Dark Sienna
1AF11	French Press
1AF12	Black Bay

Irregular Grid - Geiger Textile

56" wide
85% polyester
14% rayon
1% nylon
PFOA-Free stain resistant
Acrylic backing

1AT01	Fog
1AT02	Stone
1AT03	Trench
1AT04	Gray Blue
1AT05	Flint

Kalista - Geiger Textile

54" wide
71% post-industrial recycled cotton
18% post-industrial recycled polyester
11% polyester
PFOA-Free stain resistant finish

1AL01	Cotton
1AL02	Natural
1AL03	Titanium
1AL04	Pewter
1AL05	Starry Night
1AL06	Red Hot
1AL07	Sun Kissed
1AL08	Dune
1AL09	Beach Glass
1AL10	Bluestone
1AL11	Seaside
1AL12	Night Sky

Micro Houndstooth - Geiger Textile

57" wide
50% polyester
33% post-consumer recycled polyester
17% post-industrial recycled polyester
PFOA-Free stain resistant finish
Acrylic backing

1MH01	Silver Ore
1MH02	Oatmeal
1MH03	Coffee Bean
1MH04	Charcoal
1MH05	Dark Night
1MH06	Onyx
1MH07	Gray Blue
1MH08	Federal
1MH09	Gray Green
1MH10	Blaze
1MH11	Gothic Red

Modo - Geiger Textile

54" wide
100% polyurethane
100% polyester knit backing
Antimicrobial stain resistant finish

17301	White
17302	Cream
17303	Dune
17304	Warm Sand
17305	Caramel
17306	Latte
17307	Saddle
17308	Paprika
17309	Scarlet
17310	Deep Red
17311	Navy
17312	Racing Green
17313	Aquamarine
17314	Smoke
17315	Charcoal
17316	Black
17317	Espresso

Price category 4 continued on next page

Proprietary Textile Colors — Collection Seating

continued

Price Category 4

continued

Ottoman - Geiger Textile	
54" wide	
100% recycled polyester	
GreenShield	
19710	Cream
19711	Camel
19712	Vicuna
19713	Stone
19719	Aqua
19720	Citron
19721	Luggage
19728	Ruby
19729	Currant
19730	Red
19731	Blaze
19732	Persimmon
19748	Titanium
19749	Pewter
19750	Oxford
19751	Cadet Dark
19752	Blue
19760	Willow
19761	Napa
19767	Sterling
19768	Flint
19769	Slate
19770	Trench
19771	Java
19777	Deep Sea
19778	Navy
19779	Metal
19780	Black

Piccolo - Geiger Textile	
54" wide	
39% wool	
36% nylon	
13% rayon	
12% post-consumer recycled polyester	
PFOA-Free stain resistant	
Acrylic backing	
1AU01	Grey Blue
1AU02	City Night
1AU03	Trench
1AU04	Sangria
1AU05	Cerise
1AU06	Navy
1AU07	Lake
1AU08	Wine
1AU09	Charcoal
1AU10	Midnight Blue

Spools	
54" wide	
51% recycled polyester	
49% polyester	
Crypton® Green	
8Y03	Trail
8Y05	Copper
8Y08	Bluegrass
8Y09	Lagoon
8Y12	Marsh
8Y13	Bud

Strata	
54" wide	
50% solution dyed recycled nylon	
50% solution dyed nylon	
22P04	Pesto
22P05	Peacock
22P06	Blue Jay
22P07	Blueberry
22P09	Mango
22P10	Paprika
22P11	Mulberry
22P12	Wheat
22P13	Brownstone
22P14	Bayou

Price Category 5

Bouclé - Geiger Textile	
54" wide	
100% recycled polyester	
GreenShield	
1GA10	Creme
1GA11	Dune
1GA12	Camel
1GA20	Luggage
1GA21	Copper
1GA30	Wine
1GA31	Red Dark
1GA50	Navy
1GA60	Willow
1GA61	Fir
1GA70	Umber
1GA71	Java
1GA80	Stone
1GA81	Graphite
1GA82	Black

Button-Up - Geiger Textile	
54" wide	
58% post-consumer recycled cotton	
18% rayon	
15% polyester	
9% acrylic	
PFOA-Free stain resistant	
Acrylic backing	
1AQ01	Monochrome
1AQ02	Pale Blue
1AQ03	Brick
1AQ04	Prairie
1AQ05	Tourmaline
1AQ06	Shadow
1AQ07	Cool Navy
1AQ08	Poolside
1AQ09	Lake

Dapper - Geiger Textile	
54" wide	
55% recycled polyester	
28% nylon	
17% rayon	
1AD01	Brick
1AD02	Pale Slate Blue
1AD03	Vessel
1AD04	Coffee
1AD05	Mountainside
1AD06	Cerise
1AD07	Dark Night

Essential Twill - Geiger Textile	
53" wide	
70% post-consumer recycled polyester	
27% wool	
3% nylon	
PFOA-Free stain resistant finish	
Acrylic backing	
16801	Cream
16802	Fog
16803	Orange
16804	Natier Blue
16805	Blue
16806	Forest
16807	Smoke
16808	Shale

Herringbone - Geiger Textile	
54" wide	
50% nylon	
27% cotton	
23% polyester	
GreenShield	
19310	Copper
19330	Vermillion
19350	Oxford
19351	Cadet
19352	Navy
19360	Willow
19370	Trench Dark
19371	Umber
19380	Stone
19381	Flannel

Price category 5 continued on next page

Proprietary Textile Colors — Collection Seating

continued

Price Category 5

continued

Hopsak	
56" wide	
100% recycled polyester	
14A20	Black
14A22	Raw Umber Dark
14A26	Grey Blue Dark
14A30	Sepia Dark
14A38	Emerald Dark
14A39	Yellow Dark
14A40	Orange
14A41	Sienna
14A42	Olive Green Dark
14A43	Crimson
14A44	Crimson Dark Dark
14A45	Violet Dark
14A46	Pink Dark Dark
14A47	Ultramarine Dark
14A48	Cobalt Blue
14A49	Terra Cotta
14A50	Ochre Dark

Iota - Geiger Textile	
55" wide	
72% post-consumer recycled polyester	
28% cotton	
GreenShield	
Acrylic backing	
1AS01	Pearl Gray
1AS02	Light Chestnut Brown
1AS03	Light Blue
1AS04	Light Gray
1AS05	Ferric Gray
1AS06	Deep Cerulean Blue
1AS07	Carrot
1AS08	Natural Native Umber
1AS09	Chestnut Brown
1AS10	Claret
1AS11	Ruby Red
1AS12	Forest
1AS13	Navy
1AS14	Plum
1AS15	Burnt Umber

Iron Cloth - Geiger Textile	
54" wide	
61% nylon	
22% rayon	
17% cotton	
19510	Cream
19511	Stone
19512	Camel
19520	Citron
19530	Red
19531	Cordovan
19550	Sky
19551	Navy
19552	Cadet
19560	Leaf
19570	Trench
19571	Umber
19580	Black

Noble	
54" wide	
100% wool	
22N02	Chipotle
22N04	Cherry
22N07	Cadet
22N08	Berry Blue
22N09	Peacock
22N11	Pesto
22N12	Blue Grey Mix
22H15	Heathered Black
22H16	Heathered Grey
22H17	Heathered Twilight
22H18	Heathered Rye Grass
22N19	Lemongrass Mix
22H20	Heathered Red
22H21	Heathered Wild Berry
22N22	Pesto Mix
22N23	Lagoon Mix

Pixel Stripe - Geiger Textile	
56" wide	
65% cotton	
35% recycled polyester	
1AP01	Pale / Dark Ash
1AP02	Ash / Light Grey
1AP03	Night / Cream
1AP04	Cardinal / Cream
1AP05	Denim / Neutral
1AP06	Federal / Taupe
1AP07	Olive / Neutral

Straightaway - Geiger Textile	
54" wide	
48% polyester	
39% cotton	
13% rayon	
PFOA-Free stain resistant	
Acrylic backing	
1AR01	White
1AR02	Cream
1AR03	Lemon
1AR04	Sunset
1AR05	Brown Gray
1AR06	Java
1AR07	Black Green
1AR08	Jade
1AR09	Cobalt

Striae - Geiger Textile	
53" wide	
62% polyester	
38% nylon	
19910	Neutral
19911	Camel Java
19992	Blue
19990	Charcoal Saddle
19991	Navy
19993	Java Copper
19994	Bright

Threads - Geiger Textile	
54" wide	
73% post-industrial recycled cotton	
27% polyester	
PFOA-Free stain resistant finish	
Acrylic backing	
21801	Cotton
21802	Stonewashed
21803	Silver
21804	Chamois
21805	Cargo Gray
21806	Black Brown
21807	Dark Denim
21808	Sunset

Vavare - Geiger Textile	
54" wide	
50% post-consumer recycled cotton	
28% cotton	
13% polyester	
9% acrylic	
PFOA-Free stain resistant finish	
Acrylic backing	
17401	Pearl Gray
17402	Sandstone
17403	Monochrome
17404	Shadow
17405	Blue Earth
17406	Lakeside
17407	Midsummer
17408	Bittersweet

Proprietary Textile Colors — Collection Seating

continued

Appendix: Proprietary Textile Colors — Collection Seating

Price Category 6

Classic Velvet - Geiger Textile	
55" wide	
100% polyester	
Polyester/cotton backing	
16501	Opal
16502	Ice Blue
16503	Platinum
16504	Smoky Taupe
16505	Blaze
16506	Majestic Red
16507	Peridot
16508	Obsidian
16509	Truffle
16510	Sapphire

Gridwork - Geiger Textile	
54" wide	
100% post-consumer recycled polyester	
PFOA-Free stain resistant	
Acrylic backing	
1AM01	Mustard
1AM02	Persimmon
1AM03	Willow
1AM04	Red
1AM05	Camel
1AM06	Natier Blue

Outdoor Weave	
For Eames® Aluminum Group	
Outdoor Chairs	
50% elastomeric	
50% polypropylene	
7202	Jute
7203	Lead
7204	Java
7205	Graphite

Pick-Stitch Plaid - Geiger Textile	
54" wide	
38% post-industrial recycled nylon	
32% rayon	
30% cotton	
PFOA-Free stain resistant finish	
Acrylic backing	
17001	Cotton
17002	Camel
17003	Red
17004	Blue
17005	Forest
17006	Bark
17007	Gray

Sommar - Geiger Textile	
55" wide	
62% cotton	
24% polyester	
14% acrylic	
PFOA-Free stain resistant finish	
1AJ01	Cloud
1AJ02	Natural
1AJ03	Light Silver
1AJ04	Oxford
1AJ05	Sweet Tea
1AJ06	Amber
1AJ07	Mocha Caramel
1AJ08	Dark Roast

Tattersall Reverse - Geiger Textile	
54" wide	
35% cotton	
29% polyester	
27% nylon	
9% recycled polyester	
GreenShield	
20010	Saddle
20020	Willow
20030	Red
20050	Navy
20070	Trench
20071	Latte Umber
20080	Flannel Umber

Price Category 7

Customer's Own Leather	
See Order Information in	
Appendices. Assigned lead-time	
textile. A	

Bellano - Geiger Textile	
55" wide	
75% wool	
10% linen	
8% nylon	
7% alpaca	
1AX01	Pearl
1AX02	Fog
1AX03	Fawn
1AX04	Pumice
1AX05	Pewter
1AX06	Atlantic
1AX07	Black Green
1AX08	Adriatic
1AX09	Coffee
1AX10	Charcoal
1AX11	Umber
1AX12	Magenta
1AX13	Bittersweet
1AX14	Sunflower

Capri - Geiger Textile	
55" wide	
36% cotton	
32% acrylic	
24% rayon	
8% polyester	
PFOA-Free stain resistant finish	
Acrylic backing	
17201	Snow
17202	Stone
17203	Trench
17204	Graphite
17205	Anthracite
17206	Light Silver
17207	Russet
17208	Chestnut Brown
17209	Sand
17210	Sterling
17211	Cobalt
17212	Ink

Corduroy Plaid - Geiger Textile	
55" wide	
100% polyester pile	
100% acrylic	
18910	Cream
18970	Umber
18980	Charcoal

Double Beam Redux - Geiger Textile	
52" wide	
52% rayon	
45% post-consumer recycled polyester	
3% nylon	
PFOA-Free stain resistant finish	
Acrylic backing	
22001	Oyster
22002	Mortar
22003	Pale Goldenrod
22004	Pewter
22005	Light Steel Blue
22006	Dark Denim
22007	Cocoa

Epinglé - Geiger Textile	
56" wide	
57% acrylic, 43% polyester pile	
60% polyester, 40% acrylic	
1GC10	Ivory
1GC11	Dune
1GC12	Camel
1GC30	Red
1GC50	Navy
1GC70	Trench
1GC71	Java
1GC80	Charcoal
1GC81	Fog

Price category 7 continued on next page

Proprietary Textile Colors — Collection Seating

continued

Price Category 7

continued

Milaner - Geiger Textile	
55" wide	
56% wool, 10% acrylic	
10% alpaca, 10% cotton	
8% nylon, 6% rayon	
17101	Linen
17102	Flax
17103	Bark
17104	Deep Navy
17105	Charcoal
17106	Medium Grey
17107	Ash
17108	Crimson

Panno di Dolce - Geiger Textile	
55" wide	
65% wool	
20% nylon	
15% alpaca	
1AV01	Fog
1AV02	Dune
1AV03	Trench
1AV04	Flannel
1AV05	Charcoal
1AV06	Umber
1AV07	Deep Navy
1AV08	Graphite

Pantile - Geiger Textile	
54" wide	
54% cotton	
40% polyester	
6% acrylic	
PFOA-Free stain resistant	
Acrylic backing	
1AN01	Stone
1AN02	Trench
1AN03	Red
1AN04	Aqua Blue
1AN05	Sapphire
1AN06	Black

Resca - Geiger Textile	
56" wide	
75% wool	
10% linen	
8% nylon	
7% alpaca	
1AW01	Fog
1AW02	Dune
1AW03	Trench
1AW04	Flannel
1AW05	Umber
1AW06	Bordeaux

Sateen Weave - Geiger Textile	
54" wide	
92% wool, 8% nylon	
16301	Bright Red
16302	Cognac Brown
16303	Chestnut Brown
16304	Pale Native Umber
16305	Light Native Umber
16306	Sahara Sand Deep
16307	Light Blue
16308	Deep Cerulean Blue
16309	Light Veronese Green
16310	Black Green
16311	Deep Native Umber
16312	Chestnut Brown
16313	Natural Native Umber
16314	Navy

True Herringbone - Geiger Textile	
54" wide	
49% rayon	
48% post-consumer recycled polyester	
3% nylon	
PFOA-Free stain resistant finish	
Acrylic backing	
22401	Olivine
22402	Camel
22403	Earthen
22404	Caribbean Sea
22405	Vermillion
22406	Denim
22407	Bordeaux
22408	Prussian Blue
22409	Dark Sienna

Twill Plaid - Geiger Textile	
53" wide	
70% post-consumer recycled polyester	
27% wool	
3% nylon	
PFOA-Free stain resistant finish	
Acrylic backing	
16901	Cream
16902	Fog
16903	Orange
16904	Natier Blue
16905	Blue
16906	Forest
16907	Smoke
16908	Shale

Velvet Plaid - Geiger Textile	
55" wide	
94% polyester, 6% acrylic pile	
100% acrylic	
20110	Cream
20170	Umber
20180	Charcoal

Vesture - Geiger Textile	
55" wide	
40% wool, 25% polyester	
20% silk, 15% nylon	
PFOA-Free stain resistant finish	
21701	Ashen
21702	Dark Blush
21703	Dusk
21704	Medium Gray
21705	Twilight

Wool Epinglé - Geiger Textile	
54" wide	
100% wool	
16201	Swiss Red
16202	Orange
16203	Light Chestnut Brown
16204	Light Burnt Umber
16205	Pale Native Umber
16206	Pearl Grey
16207	Grey
16208	Natier Blue
16209	Deep Cerulean Blue
16210	Anthracite
16211	Natural Native Umber
16212	Chestnut Brown

Wool Satin - Geiger Textile	
56" wide	
40% polyester, 33% wool	
27% cotton	
20270	Trench
20271	Umber
20280	Flannel
20281	Charcoal

Wool Tweed - Geiger Textile	
54" wide	
80% wool, 20% nylon	
16601	Trench
16602	Pewter
16603	Ruby
16604	Blue Gray
16605	Navy
16606	Umber
16607	Charcoal

Proprietary Textile Colors — Collection Seating

continued

Price Category 8

Basketweave - Geiger Textile

53" wide
60% cotton
40% wool

18710	Dune
18711	Saddle
18712	Camel Flannel
18770	Umber
18780	Stone
18781	Charcoal

Staple - Geiger Textile

54" wide
100% wool

16101	Light Native Umber
16102	Medium Native Umber
16103	Pearl Grey
16104	Light Grey
16105	Ferric Grey
16106	Black Green
16107	Prussian Blue
16108	Navy
16109	Burnt Umber
16110	Chestnut Brown
16111	Ruby Red

Striscia - Geiger Textile

53" wide
73% wool
24% rayon
3% nylon
PFOA-Free stain resistant
Acrylic backing

1AY01	Mojave
1AY02	Cheyenne
1AY03	Santa Fe
1AY04	Zion
1AY05	Portland
1AY06	Everglade
1AY07	Sierra
1AY08	Huron

Price Category 9

Alpaca Mohair - Geiger Textile

54" wide
63% alpaca
21% cotton, 16% polyester

18510	Dune
18511	Trench
18512	Vicuna
18570	Sepia
18571	Umber
18580	Fog
18581	Flannel
18582	Charcoal

Corded Stripe - Geiger Textile

54" wide
100% cotton

22301	Federal Taupe
22302	Cool Navy
22303	Swiss Red
22304	Deep Sea
22305	Blue Brown
22306	Red Madder

Leather

approx. 50 sq. ft. per hide
100% leather

2101	Ivory
2109	Black
2110	Smoke
2111	Graphite
2112	Khaki
2113	Rattan
2114	Truffle
2115	Alpine
2116	Haze
2117	Sable Grey
2118	Dark Mineral
2119	Dark Carbon
2120	Cranberry
2121	Deep Sea

Price Category 10

Bristol Leather - Geiger Textile

approx. 55 sq. ft. per hide
100% leather

5-507	Black
5-511	Putty
5-512	Grebe
5-514	Iona
5-519	Hunter
5-520	White
5-521	Ivory
5-522	Parchment
5-524	Espresso
5-534	Pearl
5-537	Caribbean
5-546	Pumice
5-547	Smoke
5-548	Charcoal
5-549	Dark Shale
5-556	Downtown Grey
5-557	City Night
5-558	Neutral
5-559	Ash Grey
5-563	Champagne
5-564	Chestnut Brown
5-565	Dark Sienna
5-566	Earthen
5-567	Desert
5-568	British Green
5-569	Wrought Iron
5-579	Paris Blue
5-583	Atlantic
5-589	Umber
5-591	Bone
5-592	Camel
5-594	Taupe
5-597	Pure *
5-598	Cream
5-599	Poppy
5-600	Midnight Blue
5-601	Deep Aubergine
5-602	Merlot
5-603	Sangria
5-604	Swiss Red
5-605	Nordic Yellow
5-606	Sky Grey

Moleskin Emboss - Geiger Textile

53" wide
100% nylon

19610	Ivory
19611	Cream
19612	Latte
19613	Camel
19614	Saddle
19630	Red
19650	Oxford
19651	Navy
19670	Trench
19671	Java
19680	Flannel
19681	Charcoal

* Color not available on Saiba Chair.

Proprietary Textile Colors — Collection Seating

continued

Price Category 11

MCL Leather

approx. 55 sq. ft. per hide

100% leather

1R01	Pearl
1R02	Ivory
1R05	Red
1R07	Espresso
1R08	Stone
1R10	Black
1R11	Clay
1R12	Grey
1R13	Gunmetal
1R14	Charcoal
1R15	Cobblestone
1R16	Mulberry

Tenera Leather - Geiger Textile

approx. 55 sq. ft. per hide

100% leather

17501	Cement
17502	Marzipan
17503	Sunglow
17504	Raw Sienna
17505	Maple
17506	Poppy
17507	Salsa
17508	Cranberry
17509	Burnt Sienna
17510	Dark Chocolate
17511	Black
17512	Carbon
17513	Sapphire



Maharam® Application Chart — Collection Seating, HermanMiller

• Available

[A] Maharam textiles are on assigned lead times.

[N] Non-woven textile.

	Bevel Sofa Group	Bolster Sofa Group	Chadwick Modular Seating	ColourForm Sofa Group	Eames Aluminum Group Chairs/Ottomans	Eames Executive Chairs	Eames Lounge Chairs/Ottomans	Eames Molded Fiberglass/Plastic/Wood Chairs Upholstered Seat Pad	Eames Molded Fiberglass/Plastic Chairs Upholstered	Eames Molded Plywood Chair Upholstered	Eames Sofa Compact	Eames Sofa, 2 and 3 Seat	Eames Soft Pad Chairs/Ottomans	Eames Task Chair	Eames Wire Seating	Girard Color Wheel Ottoman	Goetz™ Sofa	Lispenard Sofa Group	Module Lounge Seating	Nelson™ Daybed Cushion/Bolsters	Nelson Pedestal Stool	Nelson Platform Bench Cushion	Striad Lounge Chair/Ottoman	Wireframe™ Sofa Group
Price Category 1-2																								
No fabrics available at this time.																								
Price Category 3																								
ZM2__ Meld - Maharam *	•	•									•						•				•	•	•	•
Price Category 4-9																								
No fabrics available at this time.																								
Price Category 10																								
Z22__ Superweave	•	•								•	•							•	•	•	•		•	•
Price Category 11-13																								
No fabrics available at this time.																								
Price Category 14																								
Z13__ Lanalux	•	•								•	•							•	•	•	•		•	•
Price Category A																								
No fabrics available at this time.																								
Price Category B																								
VM__ Medium						•					•	•					•							
TI__ Messenger *					•	•		1		•	•	•					•						•	
Price Category C																								
ZLR__ Lariat [N]					•																			
Z27__ Manner		•			1	1			1	1	•	•					•				•	•	•	•
Z3__ Metric									•	•							•				•		•	•
ZML__ Milestone					1	1			1	1	•	•					•				•	•	•	•
Price Category D																								
ZAT__ Article [N]					•	•			•	•	•	•					•					•	•	•
ZMD__ Mode					•	•	•		•	•		•					•	•				•		•
Price Category E																								
ZFS__ Focus						1			1	1	•	•					•					•	•	•
V9G__ Ledger [N]					•	•			•	•	•	•					•					•	•	•
ZMB__ Micro						•			•	•	•	•										•	•	•
Z32__ Skein									•	•	•						•					•	•	•
Price Category F																								
ZAS__ Abacus Standard									1	1	•						•					•	•	•
ZAY__ Alloy [N]					1	1			1	1	•						•					•	•	•
ZAL__ Alter											•	•					•					•	•	•
ZBT__ Bitmap [N]					1	1			1	1		•					•					•	•	•
V9M__ Chime [N]											•	•					•					•	•	•

continued on next page

* Available in select colors on 20-day lead-time. Refer to "Maharam Textile Colors-Collection Seating" for 20-day colors.

Maharam® Application Chart — Collection Seating, HermanMiller

continued

Appendix: Maharam Application Chart — Collection Seating, HermanMiller

	Bevel Sofa Group	Bolster Sofa Group	Chadwick Modular Seating	ColourForm Sofa Group	Eames Aluminum Group Chairs/Ottomans	Eames Executive Chairs	Eames Lounge Chairs/Ottomans	Eames Molded Fiberglass/Plastic/Wood Chairs Upholstered Seat Pad	Eames Molded Fiberglass/Plastic Chairs Upholstered	Eames Molded Plywood Chair Upholstered	Eames Sofa Compact	Eames Sofa, 2 and 3 Seat	Eames Soft Pad Chairs/Ottomans	Eames Task Chair	Eames Wire Seating	Girard Color Wheel Ottoman	Goetz™ Sofa	Lispenard Sofa Group	Module Lounge Seating	Nelson™ Daybed Cushion/Bolsters	Nelson Pedestal Stool	Nelson Platform Bench Cushion	Striad Lounge Chair/Ottoman	Wireframe™ Sofa Group	
Price Category F continued																									
ZCJ__ Coincide																									
VS__ Crush																									
ZEE__ Exchange																									
ZPC__ Pitch [N]																									
Z29__ Plait																									
ZRV__ Rove																									
ZRA__ Runner Standard																									
V9B__ Scuba [N]																									
ZSG__ Steady																									
Z33__ Strum [N]																									
TP__ Trait																									
Price Category G																									
ZAD__ Across																									
ZAK__ Akimbo																									
ZB1__ Basel																									
ZC5__ Canvas																									
V9C__ Chance																									
ZCU__ Circuit																									
ZCF__ Coincide High Performance																									
ZCQ__ Colline																									
ZC2__ Compound [N]																									
ZCZ__ Crew																									
T1__ Dart																									
VA__ Decode																									
ZDP__ Disperse																									
TG__ Divina Melange																									
ZDE__ Drape [N]																									
ZFE__ Floret																									
ZFC__ Fluent Crypton																									
ZKN__ Kindred																									
ZMM__ Mimic [N]																									
ZPR__ Pare																									
ZPV__ Paver																									
V26__ Remix																									
ZRF__ Runner																									
Z31__ Sequence																									
V9E__ Steady Crypton																									

continued on next page

Maharam® Application Chart — Collection Seating, HermanMiller

continued

	Bevel Sofa Group	Bolster Sofa Group	Chadwick Modular Seating	ColourForm Sofa Group	Eames Aluminum Group Chairs/Ottomans	Eames Executive Chairs	Eames Lounge Chairs/Ottomans	Eames Molded Fiberglass/Plastic/Wood Chairs Upholstered Seat Pad	Eames Molded Fiberglass/Plastic Chairs Upholstered	Eames Molded Plywood Chair Upholstered	Eames Sofa Compact	Eames Sofa, 2 and 3 Seat	Eames Soft Pad Chairs/Ottomans	Eames Task Chair	Eames Wire Seating	Girard Color Wheel Ottoman	Goetz™ Sofa	Lispenard Sofa Group	Module Lounge Seating	Nelson™ Daybed Cushion/Bolsters	Nelson Pedestal Stool	Nelson Platform Bench Cushion	Striad Lounge Chair/Ottoman	Wireframe™ Sofa Group
Price Category G continued																								
ZSE__ Steelcut					1				1	1	•						•					•		•
V25__ Steelcut Trio	1	1	•				1								1		•		•		•			•
ZSD__ Sudden [N]					•				•	•	•						•					•		•
ZTT__ Tilt										•		•					•					•		•
ZTC__ Tonica				•		•			•	•	•	•					•					•		•
ZUR__ Urban										•	•						•					•		•
ZVT__ Vestige										•							•					•		•
Price Category H																								
ZAC__ Abacus					1				1	1	•											•		•
ZAN__ Anagram										•	•						•					•		•
ZBM__ Beam										•	•	•					•					•		•
ZBG__ Blip										•	•	•					•					•		•
ZCC__ Chenille Cord										•	•	•					•					•		•
ZT__ Circles						•				•							•						•	
ZS__ Crosspatch						•				•							•						•	
Z2D__ Ditto					•					•	•						•					•		•
TF__ Divina			•		•					•	•	•					•				•		•	•
Z23__ Divina MD			•		•					•	•	•					•				•		•	•
ZK__ Dot Pattern					•					•	•						•				•		•	•
ZFN__ Fasten										•	•						•					•		•
Z24__ Hallingdal	1	1	•	•			•	•	•					•	•	1		•	•				•	
ZMC__ Mechanism										•	•	•					•							•
ZMG__ Mister										•	•	•					•					•		•
ZQT__ Octave										•	•						•					•		•
ZQF__ Offset										•	•						•					•		•
ZRT__ Regatta						•				•	•	•					•					•		•
ZRU__ Rule										•	•	•					•					•		•
ZSL__ Salon						•				•	•	•	•				•				•	•		•
ZL__ Small Dot Pattern						•				•	•						•				•			•
ZTN__ Tonus			•		•					•	•	•	•				•				•	•	•	•

continued on next page

Maharam® Application Chart — Collection Seating, HermanMiller

continued

Appendix: Maharam Application Chart — Collection Seating, HermanMiller

	Bevel Sofa Group	Bolster Sofa Group	Chadwick Modular Seating	ColourForm Sofa Group	Eames Aluminum Group Chairs/Ottomans	Eames Executive Chairs	Eames Lounge Chairs/Ottomans	Eames Molded Fiberglass/Plastic/Wood Chairs Upholstered Seat Pad	Eames Molded Fiberglass/Plastic Chairs Upholstered	Eames Molded Plywood Chair Upholstered	Eames Sofa Compact	Eames Sofa, 2 and 3 Seat	Eames Soft Pad Chairs/Ottomans	Eames Task Chair	Eames Wire Seating	Girard Color Wheel Ottoman	Goetz™ Sofa	Lispenard Sofa Group	Module Lounge Seating	Nelson™ Daybed Cushion/Bolsters	Nelson Pedestal Stool	Nelson Platform Bench Cushion	Striad Lounge Chair/Ottoman	Wireframe™ Sofa Group	
Price Category I																									
ZCW__ Colorwheel																									
ZGN__ Garden																									
ZSY__ Study																									
ZT5__ Tracery																									
ZVS__ Vases																									
ZVY__ Vineyard																									
ZVG__ Voyage																									
Price Category J																									
ZCL__ Coach Cloth																									
ZDD__ Design 9297																									
ZFK__ Fluted Silk																									
ZMT__ Melange Tweed																									
V19__ Mikado																									
ZSW__ Soft Tweed																									
ZTG__ Tangram																									
ZTA__ Telary																									
ZT1__ Tokyo																									
ZTB__ Transport																									
ZWB__ Waterborn [N]																									
ZWR__ Wool Rib																									
Price Category K																									
ZC6__ Carapace																									
V12__ Checker																									
V13__ Checker Split																									
ZDB__ Dingbats																									
V14__ Double Triangles																									
V15__ Facets																									
ZQP__ Optik																									
ZQR__ Orakelblume																									
ZPS__ Painted Stripe																									
V20__ Pavement																									
ZTE__ Trees																									
ZUN__ Unisol																									

continued on next page

Maharam® Application Chart — Collection Seating, HermanMiller

continued

	Bevel Sofa Group	Bolster Sofa Group	Chadwick Modular Seating	ColourForm Sofa Group	Eames Aluminum Group Chairs/Ottomans	Eames Executive Chairs	Eames Lounge Chairs/Ottomans	Eames Molded Fiberglass/Plastic/Wood Chairs Upholstered Seat Pad	Eames Molded Fiberglass/Plastic Chairs Upholstered	Eames Molded Plywood Chair Upholstered	Eames Sofa Compact	Eames Sofa, 2 and 3 Seat	Eames Soft Pad Chairs/Ottomans	Eames Task Chair	Eames Wire Seating	Girard Color Wheel Ottoman	Goetz™ Sofa	Lispenard Sofa Group	Module Lounge Seating	Nelson™ Daybed Cushion/Bolsters	Nelson Pedestal Stool	Nelson Platform Bench Cushion	Striad Lounge Chair/Ottoman	Wireframe™ Sofa Group
Price Category L																								
ZAH__Alpaca Herringbone					1				1	1	•	•					•					•	•	
ZBN__Blumen									•	•	•	•					•					•	•	•
ZEP__Exaggerated Plaid									•	•	•	•					•					•	•	•
ZGM__Geometri										•	•	•					•					•	•	•
V16__Jacobs Coat									•	•	•	•			1	•					•	•	•	•
ZLT__Letters									•	•	•	•					•						•	•
V17__Millerstripe									•	•	•	•					•				•	•	•	•
ZMS__Mohair Supreme						1															•			•
ZMW__Monk's Wool																								•
V11__Palio											•						•					•		•
ZPW__Pebble Wool									•	•	•	•					•					•	•	•
ZPM__Pebble Wool Multi									•	•	•	•					•					•	•	•
V21__Quatrefoil										•	•	•					•					•	•	•
ZRS__Repeat Classic Stripe										•	•	•					•					•	•	•
ZRR__Repeat Dot Ring									•	•	•	•					•					•	•	•
ZSP__Stripes									•	•	•	•					•					•	•	•
ZTS__The Story of My Life					•					•	•	•					•					•	•	•
V22__Toostripe									•	•	•	•					•				•		•	•
Price Category M																								
V18__Names											•						•					•	•	•
ZQN__Ottoman Stripe									•	•	•	•					•					•	•	•
T11__Pressed Plaid									•	•	•	•					•					•	•	•
T12__Wool Striae									•	•	•	•					•					•	•	•
Price Category N																								
ZAE__Alpaca Epinglé					•				•	•	•	•					•					•	•	•
ZAV__Alpaca Velvet																								•
ZBP__Bespoke Stripe											•	•					•					•	•	•
ZKP__Herringbone Stripe									•	•	•	•					•					•	•	•
ZPT__Point									•	•	•	•					•					•	•	•
ZWV__Wool Velvet																	•				•		•	•
Price Category O																								
ZBS__Bavaria Stripe											•	•					•							•
Price Category P																								
ZBR__Big Stripe																								•
ZBJ__Brushed Merino																								•
ZES__Epinglé Stripe																								•
ZLY__Layers Garden									•	•	•	•					•						•	•
ZLP__Layers Park									•	•	•	•					•					•	•	•
ZLV__Layers Vineyard Large									•	•	•	•					•					•	•	•
ZLS__Layers Vineyard Small					•				•	•	•	•					•					•	•	•

continued on next page

Maharam® Application Chart — Collection Seating, HermanMiller

continued

Appendix: Maharam Application Chart — Collection Seating, HermanMiller

	Bevel Sofa Group	Bolster Sofa Group	Chadwick Modular Seating	ColourForm Sofa Group	Eames Aluminum Group Chairs/Ottomans	Eames Executive Chairs	Eames Lounge Chairs/Ottomans	Eames Molded Fiberglass/Plastic/Wood Chairs Upholstered Seat Pad	Eames Molded Fiberglass/Plastic Chairs Upholstered	Eames Molded Plywood Chair Upholstered	Eames Sofa Compact	Eames Sofa, 2 and 3 Seat	Eames Soft Pad Chairs/Ottomans	Eames Task Chair	Eames Wire Seating	Girard Color Wheel Ottoman	Goetz™ Sofa	Lispenard Sofa Group	Module Lounge Seating	Nelson™ Daybed Cushion/Bolsters	Nelson Pedestal Stool	Nelson Platform Bench Cushion	Striad Lounge Chair/Ottoman	Wireframe™ Sofa Group	
Price Category Q																									
ZAB__ A Band Apart																									
ZAG__ Agency																									
ZBA__ Brushed Camel						•																			
ZDS__ Deconstructed Rose																									
ZMV__ Massive Paisley																									
ZTF__ The Firm																									
Price Category R																									
ZBB__ Borders																									
ZCA__ Compartment																									
Price Category S																									
ZBV__ Bavaria																									
Price Category T																									
ZKR__ Hours																									
Price Category U																									
ZLD__ Layers Garden Double																									
ZLB__ Layers Park Double																									
Price Category V-W																									
No fabrics available at this time.																									
Price Category X																									
ZED__ Eden																									
ZFG__ Foliage																									
Price Category Y																									
ZND__ Industry																									
Price Category Z																									
No fabrics available at this time.																									
Leather Price Category 10M																									
ZPA__ Pace Leather [N]																									

- 1 Available in select colors. Refer to “Maharam Textile Colors - Collection Seating” for color offering.
- 2 Available on Eames Molded Fiberglass and Molded Plastic Upholstered Side Chairs only.
- 4 Not available on White Ash Edition or Ebony Edition of Eames Lounge Chair/Ottoman.

Maharam® Application Chart — Collection Seating, Geiger

- Available

[A] Maharam textiles are on assigned lead times.

[N] Non-woven textile.

	Brabo™ Lounge Seating	Bumper™ Seating	Crosshatch™ Lounge Seating	Envelope™ Chair	Full Twist™ Chair	Landmark™ Chair	Leeway™ Seating	Nessel™ Chair	Reframe™ Lounge Seating High-Back Chair	Reframe Lounge Seating Mid-Back Chair	Reframe Lounge Seating Wing-Back Chair	Rolled Arm™ Sofa Group	Saiba™ Seating	Scissor™ Chair	Sled™ Chair	Tuxedo Component Lounge™/Tuxedo Classic Seating Quilted	Tuxedo Component Lounge/Tuxedo Classic Seating Non-quilted	
Price Category 1-2	No fabrics available at this time.																	
Price Category 3	ZM2__ Meld - Maharam *																	
Price Category 4-9	No fabrics available at this time.																	
Price Category 10	Z22__ Superweave																	
Price Category 11-13	No fabrics available at this time.																	
Price Category 14	Z13__ Lanalux																	
Price Category A	No fabrics available at this time.																	
Price Category B	VM__ Medium																	
	TI__ Messenger *																	
Price Category C	ZLR__ Lariat [N]																	
	Z27__ Manner																	
	Z3__ Metric																	
	ZML__ Milestone																	
Price Category D	ZAT__ Article [N]																	
	ZMD__ Mode																	
Price Category E	ZFS__ Focus																	
	V9G__ Ledger [N]																	
	ZMB__ Micro																	
	Z32__ Skein																	
Price Category F	ZAS__ Abacus Standard																	
	ZAY__ Alloy [N]																	
	ZAL__ Alter																	
	ZBT__ Bitmap [N]																	
	V9M__ Chime [N]																	

continued on next page

* Available in select colors on 20-day lead-time. Refer to "Maharam Textile Colors-Collection Seating" for 20-day colors.

Maharam®
Application Chart —
Collection Seating,
Geiger
continued

Price Category F *continued*

	Brabo™ Lounge Seating	Bumper™ Seating	Crosshatch™ Lounge Seating	Envelope™ Chair	Full Twist™ Chair	Landmark™ Chair	Leeway™ Seating	Nessel™ Chair	Reframe™ Lounge Seating High-Back Chair	Reframe Lounge Seating Mid-Back Chair	Reframe Lounge Seating Wing-Back Chair	Rolled Arm™ Sofa Group	Saiba™ Seating	Scissor™ Chair	Sled™ Chair	Tuxedo Component Lounge™/Tuxedo Classic Seating Quilted	Tuxedo Component Lounge/Tuxedo Classic Seating Non-quilted
ZCJ__ Coincide	•	•	•	•	•	•											
VS__ Crush	•	•	•	•	•	•						•		•	•	•	•
ZEE__ Exchange	•	•	•	•	•	•								•	•	•	•
ZMF__ Minimal [N]	•	•	•	•	•	•						•		•	•	•	•
ZPC__ Pitch [N]	•	•	•	•	•	•		•						•	•	•	•
Z29__ Plait	•	•	•	•	•	•		•				•		•	•	•	•
ZRV__ Rove	•	•	•	•	•	•		•				•		•	•	•	•
ZRA__ Runner Standard	•		•		•	•								•	•	•	•
V9B_ Scuba [N]	•	•	•	•	•	•		•				•		•	•	•	•
ZSS__ Shuttle Standard	•	•	•		•	•								•	•	•	•
ZSG__ Steady	•	•	•	•	•	•						•		•	•	•	•
Z33__ Strum [N]	•	•	•	•	•	•		•						•	•	•	•
TP__ Trait	•	•	•	•	•	•						•		•	•	•	•

Price Category G

ZAD__ Across	•	•	•	•	•	•						•		•	•	•	•
ZAK__ Akimbo	•	•	•	•	•	•								•	•	•	•
ZB1__ Basel	•	•			•	•								•	•	•	•
ZC5__ Canvas	•	•	•	•	•	•	•	•				•		•	•	•	•
V9C_ Chance	•	•	•	•	•	•						•		•	•	•	•
ZCU__ Circuit	•	•	•	•	•	•		•				•		•	•	•	•
ZCF__ Coincide High Performance	•	•	•	•	•	•								•	•	•	•
ZCQ__ Colline	•	•	•	•	•	•			•	•	•			•	•	•	•
ZC2__ Compound [N]	•	•	•	•	•	•		•	•	•				•	•	•	•
ZCZ__ Crew	•	•	•	•	•	•						•		•	•	•	•
T1__ Dart	•	•	•	•	•	•		•				•		•	•	•	•
VA__ Decode	•	•	•	•	•	•						•		•	•	•	•
ZDP__ Disperse	•	•	•	•	•	•		•		•		•		•	•	•	•
TG__ Divina Melange																3	3
ZDE__ Drape [N]	•	•	•	•	•	•								•	•	•	•
ZFE__ Floret	•	•	•	•	•	•		•				•		•	•	•	•
ZFC__ Fluent Crypton	•	•	•	•	•	•		•				•		•	•	•	•
ZKN__ Kindred	•	•	•	•	•	•		•						•	•	•	•
ZMM__ Mimic [N]	•	•	•	•	•	•		•				•		•	•	•	•
ZMR__ Mortise	•	•			•	•						•		•	•	•	•
ZQM__ Omen	•	•	•	•	•	•		•				•		•	•	•	•
ZPV__ Paver	•	•	•	•	•	•						•		•	•	•	•
V26__ Remix							•										
ZRB__ Rise [N]	•	•	•	•	•	•						•		•	•	•	•
ZRF__ Runner	•	•	•	•	•	•								•	•	•	•
Z31__ Sequence	•	•	•	•	•	•						•		•	•	•	•
V9E_ Steady Crypton	•	•	•	•	•	•		•				•		•	•	•	•

continued on next page

Maharam® Application Chart — Collection Seating, Geiger

continued

Price Category G *continued*

	Brabotm Lounge Seating	Bumper™ Seating	Crosshatch™ Lounge Seating	Envelope™ Chair	Full Twist™ Chair	Landmark™ Chair	Leeway™ Seating	Nessel™ Chair	Reframe™ Lounge Seating High-Back Chair	Reframe Lounge Seating Mid-Back Chair	Reframe Lounge Seating Wing-Back Chair	Rolled Arm™ Sofa Group	Saiba™ Seating	Scissor™ Chair	Sled™ Chair	Tuxedo Component Lounge™/Tuxedo Classic Seating Quilted	Tuxedo Component Lounge/Tuxedo Classic Seating Non-quilted
ZSE__ Steelcut	•	•	•	•	•	•	•	•	•	•		•		•	•	•	•
V25__ Steelcut Trio	•	•	•		•	•	•	•	•	•		•		•		•	•
ZSD__ Sudden [N]	•	•	•	•	•	•		•				•		•	•		
ZTT__ Tilt	•	•				•								•			•
ZTC__ Tonica	•	•	•	•	•	•		•	•	•	•	•		•	•	•	•
ZUR__ Urban	•	•	•	•	•	•								•	•		•
ZVT__ Vestige	•	•			•	•								•			•

Price Category H

ZAC__ Abacus	•	•	•	•	•	•						•		•	•	•	•
ZAN__ Anagram	•	•	•	•	•	•		•						•	•	•	•
ZBM__ Beam	•	•	•	•	•	•		•						•	•		•
ZBG__ Blip	•	•	•	•	•	•		•				•		•	•	•	•
ZCC__ Chenille Cord	•	•	•	•	•	•								•	•		•
ZT__ Circles																	
ZS__ Crosspatch																	
Z2D__ Ditto	•	•	•	•	•	•		•				•		•	•	•	•
TF__ Divina																3	3
Z23__ Divina MD	•	•	•	•	•	•		•	•	•		•		•	•	•	•
ZK__ Dot Pattern																3	3
ZFN__ Fasten	•	•	•	•	•	•		•				•		•	•	•	•
Z24__ Hallingdal	•	•	•	•	•	•	•	•	•	•	•	•		•	•	•	•
ZKX__ Helix	•	•			•	•								•	•		•
ZMC__ Mechanism	•	•	•	•	•	•						•		•	•		
ZMG__ Mister	•		•	•	•	•		•						•			•
ZQT__ Octave	•	•	•	•	•	•								•	•	•	•
ZQF__ Offset	•	•	•	•	•	•								•	•	•	•
ZQB__ Outback	•	•	•	•	•	•						•		•	•	•	•
ZRT__ Regatta	•	•	•	•	•	•		•				•		•	•	•	•
ZRU__ Rule	•		•		•	•								•		•	•
ZSL__ Salon	•	•	•		•	•		•				•		•		•	•
ZL__ Small Dot Pattern																3	3
ZTN__ Tonus	•	•	•	•	•	•		•	•	•	•	•	•	•	•	•	•

continued on next page

Maharam®
Application Chart —
Collection Seating,
Geiger
continued

	Brabo™ Lounge Seating	Bumper™ Seating	Crosshatch™ Lounge Seating	Envelope™ Chair	Full Twist™ Chair	Landmark™ Chair	Leeway™ Seating	Nessel™ Chair	Reframe™ Lounge Seating High-Back Chair	Reframe Lounge Seating Mid-Back Chair	Reframe Lounge Seating Wing-Back Chair	Rolled Arm™ Sofa Group	Saiba™ Seating	Scissor™ Chair	Sled™ Chair	Tuxedo Component Lounge™/Tuxedo Classic Seating Quilted	Tuxedo Component Lounge/Tuxedo Classic Seating Non-quilted
Price Category I																	
ZCT__ Centric	•	•	•	•	•	•		•				•		•	•	•	•
ZCW__ Colorwheel	•	•	•	•	•	•		•				•		•	•	•	•
ZGN__ Garden	•	•	•	•	•	•		•				•		•	•	•	•
ZSY__ Study	•	•			•	•								•		•	•
ZTJ__ Trio	•	•	•	•	•	•		•				•			•	•	•
ZVS__ Vases	•	•	•	•	•	•		•				•			•	•	•
ZVY__ Vineyard	•	•	•	•	•	•		•				•		•	•	•	•
ZVG__ Voyage	•		•		•	•						•		•	•	•	•
Price Category J																	
ZCL__ Coach Cloth	•	•	•		•	•		•				•		•		•	•
ZDD__ Design 9297	•	•	•	•	•	•		•				•		•	•	•	•
ZFK__ Fluted Silk																	
ZMT__ Melange Tweed																	
V19__ Mikado																	
ZSW__ Soft Tweed	•	•	•	•	•	•		•				•		•	•	•	•
ZTG__ Tangram	•	•	•	•	•	•		•						•	•	•	•
ZTA__ Telary	•	•	•	•	•	•		•				•		•	•	•	•
ZT1__ Tokyo	•	•			•	•								•	•		•
ZTB__ Transport	•		•		•	•						•		•	•	•	•
ZWB__ Waterborn [N]	•		•		•	•		•				•		•	•	•	•
ZWR__ Wool Rib	•	•	•	•	•	•						•		•	•	•	•
Price Category K																	
ZC6__ Carapace	•	•			•	•								•		•	•
V12__ Checker	•	•	•	•	•	•		•						•	•	•	•
V13__ Checker Split	•	•	•	•	•	•		•						•	•	•	•
ZDB__ Dingbats	•	•	•	•	•	•		•				•		•	•	•	•
V14__ Double Triangles	•	•	•	•	•	•		•				•		•	•	•	•
V15__ Facets	•	•	•	•	•	•		•				•		•	•	•	•
ZQP__ Optik	•	•	•	•	•	•		•				•		•	•	•	•
ZQR__ Orakelblume	•	•	•	•	•	•		•				•		•	•	•	•
ZPS__ Painted Stripe	•	•	•	•	•	•		•						•	•	•	•
V20__ Pavement			•	•	•	•	•							•	•		
ZTE__ Trees	•	•	•	•	•	•		•				•		•	•	•	•
ZUN__ Unisol	•	•	•	•	•	•		•						•	•	•	•

continued on next page

Maharam® Application Chart — Collection Seating, Geiger

continued

	Brabo™ Lounge Seating	Bumper™ Seating	Crosshatch™ Lounge Seating	Envelope™ Chair	Full Twist™ Chair	Landmark™ Chair	Leeway™ Seating	Nessel™ Chair	Reframe™ Lounge Seating High-Back Chair	Reframe Lounge Seating Mid-Back Chair	Reframe Lounge Seating Wing-Back Chair	Rolled Arm™ Sofa Group	Saiba™ Seating	Scissor™ Chair	Sled™ Chair	Tuxedo Component Lounge™/Tuxedo Classic Seating Quilted	Tuxedo Component Lounge/Tuxedo Classic Seating Non-quilted
Price Category L																	
ZAH__Alpaca Herringbone	•	•	•	•	•	•		•				•		•	•		
ZBN__Blumen	•	•	•	•	•	•		•						•	•	•	•
ZEP__Exaggerated Plaid	•	•	•	•	•	•								•	•		
ZGM__Geometri	•	•	•	•	•	•		•				•		•	•	•	•
V16__Jacobs Coat	•	•	•	•	•	•		•						•	•		
ZLT__Letters	•	•	•	•	•	•						•		•	•		
V17__Millerstripe	•	•	•	•	•	•								•	•		•
ZMS__Mohair Supreme	•	•	•	•	•	•						•		•	•	•	•
ZMW__Monk's Wool																	
V11__Palio							•										
ZPW__Pebble Wool																	
ZPM__Pebble Wool Multi																	
V21__Quatrefoil			•	•	•	•	•	•						•	•	3	3
ZRS__Repeat Classic Stripe	•		•	•	•	•								•	•	•	•
ZRR__Repeat Dot Ring	•	•	•	•	•	•		•				•		•	•	•	•
ZSP__Stripes	•	•	•	•	•	•		•						•	•	•	•
ZTS__The Story of My Life	•	•	•	•	•	•		•				•		•	•	•	•
V22__Toostripe	•	•	•	•	•	•		•						•	•	•	•
Price Category M																	
V18__Names			•	•	•	•	•	•						•	•	•	•
ZQN__Ottoman Stripe	•	•	•	•	•	•		•						•	•	•	•
T11__Pressed Plaid				•	•	•								•	•	•	•
T12__Wool Striae				•	•	•								•			
Price Category N																	
ZAE__Alpaca Epinglé	•	•	•	•	•	•						•		•	•		
ZAV__Alpaca Velvet	•	•	•	•	•	•						•		•	•		
ZBP__Bespoke Stripe	•	•	•	•	•	•		•						•	•	•	•
ZKP__Herringbone Stripe	•	•	•	•	•	•		•						•	•	•	•
ZPT__Point	•	•	•	•	•	•								•	•		
ZWV__Wool Velvet	•	•	•	•	•	•						•		•	•	•	•
Price Category O																	
ZBS__Bavaria Stripe	•	•	•	•	•	•		•						•	•	•	•
Price Category P																	
ZBR__Big Stripe	•	•	•	•	•	•		•						•	•	•	•
ZBJ__Brushed Merino	•	•	•	•	•	•		•				•		•	•	•	•
ZES__Epinglé Stripe	•	•	•	•	•	•								•	•		
ZLY__Layers Garden	•	•	•	•	•	•		•				•		•	•	•	•
ZLP__Layers Park	•	•	•	•	•	•		•				•		•	•	•	•
ZLV__Layers Vineyard Large	•	•	•	•	•	•		•						•	•	•	•
ZLS__Layers Vineyard Small	•	•	•	•	•	•		•				•		•	•	•	•

continued on next page

Maharam®
Application Chart —
Collection Seating,
Geiger
continued

	Brabo™ Lounge Seating	Bumper™ Seating	Crosshatch™ Lounge Seating	Envelope™ Chair	Full Twist™ Chair	Landmark™ Chair	Leeway™ Seating	Nessel™ Chair	Reframe™ Lounge Seating High-Back Chair	Reframe Lounge Seating Mid-Back Chair	Reframe Lounge Seating Wing-Back Chair	Rolled Arm™ Sofa Group	Saiba™ Seating	Scissor™ Chair	Sled™ Chair	Tuxedo Component Lounge™/Tuxedo Classic Seating Quilted	Tuxedo Component Lounge/Tuxedo Classic Seating Non-quilted
Price Category Q																	
ZAB__ A Band Apart	•	•	•	•	•	•								•	•	•	•
ZAM__ Aftermath	•	•	•	•	•	•		•						•	•	•	•
ZAG__ Agency	•	•	•	•	•	•								•	•	•	•
ZBA__ Brushed Camel	•	•	•	•	•	•		•				•		•	•	•	•
ZDS__ Deconstructed Rose			•	•	•												
ZMV__ Massive Paisley	•	•	•	•	•	•		•						•	•	•	•
ZTF__ The Firm	•	•	•	•	•	•		•						•	•	•	•
Price Category R																	
ZBB__ Borders	•	•	•	•	•	•						•		•	•	•	•
ZCA__ Compartment	•	•	•	•	•	•								•	•	•	•
Price Category S																	
ZBV__ Bavaria	•	•	•	•	•	•		•						•	•	•	•
Price Category T																	
ZKR__ Hours	•	•	•	•	•	•								•	•		
Price Category U																	
ZLD__ Layers Garden Double	•	•	•	•	•	•						•		•	•		
ZLB__ Layers Park Double	•	•	•	•	•	•						•		•	•		
Price Category V-W																	
No fabrics available at this time.																	
Price Category X																	
ZED__ Eden	•	•			•	•								•			•
ZFG__ Foliage	•	•			•	•						•		•	•		•
Price Category Y																	
ZND__ Industry	•	•			•	•								•			•
Price Category Z																	
No fabrics available at this time.																	
Leather Price Category 10M																	
ZPA__ Pace Leather [N]																	

1 Available in select colors. Refer to “Maharam Textile Colors - Collection Seating” for color offering.
3 Available on Tuxedo Classic Seating products only.

Maharam Textile Colors — Collection Seating

Price Category 1-2

No fabrics available at this time.

Price Category 3

Meld – Maharam

54" wide
68% post-consumer recycled polyester
32% polyester
PFOA-Free stain resistant

ZM201/466387-201 Vast
ZM202/466387-202 Panda *
ZM203/466387-203 Skyline *
ZM204/466387-204 Knight *
ZM205/466387-205 Quill *
ZM206/466387-206 Pipe
ZM207/466387-207 Grate *
ZM208/466387-208 Gloss
ZM209/466387-209 Bulb
ZM210/466387-210 Bride
ZM211/466387-211 Stark
ZM212/466387-212 Seashell
ZM213/466387-213 Antler
ZM214/466387-214 Crater *
ZM215/466387-215 Perennial
ZM216/466387-216 Mulberry
ZM217/466387-217 Fuchsia *
ZM218/466387-218 Amethyst *
ZM219/466387-219 Merlot
ZM220/466387-220 Magma *
ZM221/466387-221 Rooster
ZM222/466387-222 Heat *
ZM223/466387-223 Clementine
ZM224/466387-224 Fox
ZM225/466387-225 Kiss *
ZM226/466387-226 Bare
ZM227/466387-227 Blonde
ZM228/466387-228 Mimosa
ZM229/466387-229 Comet *
ZM230/466387-230 Honeydew
ZM231/466387-231 Wild *
ZM232/466387-232 Vine
ZM233/466387-233 Seed
ZM234/466387-234 Kale *

* Colors available on
20-day lead time.

Meld continued

ZM235/466387-235 Waterfall *
ZM236/466387-236 Nordic *
ZM237/466387-237 Reef *
ZM238/466387-238 Wave
ZM239/466387-239 Isle
ZM240/466387-240 Creek
ZM241/466387-241 Mariner *
ZM242/466387-242 Globe
ZM243/466387-243 Spa

Price Category 4-9

No fabrics available at this time.

- Maharam textiles are on assigned lead times [A](#).
- Fabric numbers are listed as Herman Miller fabric number/Maharam fabric number.

Maharam Textile Colors — Collection Seating

continued

Price Category 10	Price Category 11-13	Price Category 14	Price Category A
<p>Superweave - Maharam</p> <p>54" wide 75% polyester 25% cotton</p> <p>Z2203/466241-005 Sienna Z2204/466241-002 Ochre Z2207/466241-004 Marine Z2208/466241-003 Olive Z2220/466241-001 Orange and Pink</p>	<p>No fabrics available at this time.</p>	<p>Lanalux - Maharam</p> <p>54" wide 100% wool</p> <p>Z1375/466240-005 Black/White Z1378/466240-006 Olive/Black Z1380/466240-001 Natural Z1383/466240-002 Umber Z1384/466240-007 Natural/Black Z1386/466240-003 Orange Z1387/466240-004 Crimson</p>	<p>No fabrics available at this time.</p>

- Maharam textiles are on assigned lead times [A](#).
- Fabric numbers are listed as Herman Miller fabric number/Maharam fabric number.

Maharam Textile Colors — Collection Seating

continued

Price Category B

Medium – Maharam

54" wide
100% polyester
VM01/463490-001 Raven
VM02/463490-002 Smoke
VM03/463490-003 Alloy
VM04/463490-004 Flax
VM06/463490-006 Bark
VM07/463490-007 Espresso
VM08/463490-008 Pecan
VM12/463490-012 Pumpkin
VM13/463490-013 Persimmon
VM14/463490-014 Laser
VM16/463490-016 Port
VM22/463490-022 Marina
VM29/463490-029 Pistachio
VM32/463490-032 Prospect
VM36/463490-036 Delight
VM39/463490-039 Nautical
VM40/463490-040 Pool
VM44/463490-044 Washed
VM45/463490-045 Sculpture
VM46/463490-046 Thatched
VM47/463490-047 Hike
VM48/463490-048 Tangle
VM49/463490-049 Pacific
VM50/463490-050 Cosmic
VM51/463490-051 Cascade
VM52/463490-052 Blackberry
VM53/463490-053 Nasturtium
VM54/463490-054 Wooded

Messenger – Maharam

54" wide
78% post-industrial recycled polyester
15% polyester, 7% nylon
TI07/458640-007 Shadow *
TI08/458640-008 Bayou *
TI24/458640-024 Poppy
TI25/458640-025 Mao
TI29/458640-029 Onyx
TI31/458640-031 Cloud *
TI38/458640-038 Depth *
TI40/458640-040 Nile
TI41/458640-041 Azure *
TI45/458640-045 Cactus *
TI46/458640-046 Ice * **
TI48/458640-048 Neon *
TI50/458640-050 Hydrangea *
TI53/458640-053 Tangelo
TI54/458640-054 Lumine *
TI58/458640-058 Snow **
TI60/458640-060 Peridot *
TI61/458640-061 Capri
TI62/458640-062 Ultramarine
TI63/458640-063 Squall
TI66/458640-066 Cassis
TI67/458640-067 Aster
TI69/458640-069 Cherry
TI70/458640-070 Vibrant
TI71/458640-071 Satsuma *
TI72/458640-072 Maize

Messenger continued

TI76/458640-076 Fossil
TI77/458640-077 Ash
TI78/458640-078 Tusk
TI79/458640-079 Oyster **
TI81/458640-081 Husk
TI84/458640-084 Robust
TI85/458640-085 Beyond
TI86/458640-086 Voyage
TI87/458640-087 Everglade
TI89/458640-089 Blanch
TI90/458640-090 Longspur
TI91/458640-091 Vireo
TI92/458640-092 Dipper
TI93/458640-093 Gale
TI94/458640-094 Hunter
TI95/458640-095 Lime
TI96/458640-096 Apple
TI97/458640-097 Krill
TI98/458640-098 Catalyst

* Colors available on 20-day lead time.

** Colors not available on Eames Molded Fiberglass and Molded Plastic Side Chairs.

Price Category C

Lariat – Maharam

54" wide
100% vinyl
ZLR01/440401-001 001
ZLR02/440401-002 002
ZLR03/440401-003 003
ZLR04/440401-004 004
ZLR06/440401-006 006
ZLR07/440401-007 007
ZLR08/440401-008 008
ZLR10/440401-010 010
ZLR11/440401-011 011
ZLR12/440401-012 012
ZLR13/440401-013 013
ZLR14/440401-014 014
ZLR15/440401-015 015
ZLR16/440401-016 016
ZLR18/440401-018 018
ZLR20/440401-020 020
ZLR21/440401-021 021
ZLR23/440401-023 023
ZLR24/440401-024 024
ZLR25/440401-025 025
ZLR26/440401-026 026
ZLR27/440401-027 027
ZLR28/440401-028 028
ZLR29/440401-029 029
ZLR30/440401-030 030
ZLR31/440401-031 031
ZLR32/440401-032 032
ZLR33/440401-033 033
ZLR34/440401-034 034
ZLR35/440401-035 035
ZLR36/440401-036 036
ZLR37/440401-037 037
ZLR38/440401-038 038

Price category C continued on next page

- Maharam textiles are on assigned lead times [A](#).
- Fabric numbers are listed as Herman Miller fabric number/Maharam fabric number.

Maharam Textile Colors – Collection Seating

continued

Price Category C

continued

Manner - Maharam

54" wide
65% post-industrial recycled polyester
35% post-consumer recycled polyester
Z2701/466177-001 Magic
Z2702/466177-002 Carob
Z2703/466177-003 Porpoise
Z2704/466177-004 Flint
Z2705/466177-005 Hush *
Z2706/466177-006 Nuance
Z2711/466177-011 Ember
Z2712/466177-012 Wagon
Z2713/466177-013 Ablaze
Z2714/466177-014 Peel
Z2716/466177-016 Butterscotch
Z2717/466177-017 Harvest
Z2720/466177-020 Parakeet
Z2722/466177-022 Aquatic
Z2723/466177-023 Cottage
Z2724/466177-024 Dahlia
Z2725/466177-025 Vivid
Z2726/466177-026 Basin
Z2727/466177-027 Schooner
Z2728/466177-028 Slope
Z2729/466177-029 Silverpoint
Z2730/466177-030 Lattice
Z2731/466177-031 Smoky
Z2732/466177-032 Magnetic
Z2733/466177-033 Woad
Z2734/466177-034 Resolute
Z2735/466177-035 Cruise
Z2736/466177-036 Atmospheric
Z2737/466177-037 Cloudburst
Z2738/466177-038 Tidewater
Z2739/466177-039 Firth
Z2740/466177-040 Oceanside
Z2741/466177-041 Grandeur
Z2742/466177-042 Comfort
Z2743/466177-043 Dill
Z2744/466177-044 Poplar
Z2745/466177-045 Citronella
Z2746/466177-046 Passerine

Manner continued

Z2747/466177-047 Southwest
Z2748/466177-048 Roseate
Z2749/466177-049 Charisma
Z2750/466177-050 Siltstone
Z2751/466177-051 Kimono
Z2752/466177-052 Valiant
Z2753/466177-053 Baroness

* Color not available on Eames Aluminum Group, Executive Chairs, Upholstered Molded Plywood Chairs, and Sofa Compact.

Metric – Maharam

54" wide
51% post-industrial recycled polyester
49% polyester
Z302/466014-002 Fog
Z303/466014-003 Fleece
Z312/466014-012 Cardinal
Z313/466014-013 Lava
Z318/466014-018 Pollen
Z320/466014-020 Alligator
Z323/466014-023 Tar
Z324/466014-024 Anchor
Z326/466014-026 Admiral
Z327/466014-027 Seaport
Z328/466014-028 Scuba
Z329/466014-029 Skate
Z330/466014-030 Hopscotch
Z331/466014-031 Film
Z332/466014-032 Whale
Z333/466014-033 Downpour
Z334/466014-034 Midday
Z335/466014-035 Talisman
Z336/466014-036 Hedgerow
Z337/466014-037 Snorkel
Z338/466014-038 Highway
Z339/466014-039 Canary
Z340/466014-040 Sunny
Z341/466014-041 Aztec
Z342/466014-042 Fruit

Metric continued

Z343/466014-043 Galah
Z344/466014-044 Kiln
Z345/466014-045 Moth

Milestone – Maharam

54" wide
78% post-industrial recycled polyester
15% polyester
7% nylon
ZML22/403901-022 Pewter
ZML25/403901-025 Charcoal
ZML26/403901-026 Ebony
ZML29/403901-029 Medium Grey
ZML31/403901-031 Ground
ZML46/403901-046 Tortoise
ZML47/403901-047 Rush
ZML54/403901-054 Linger
ZML55/403901-055 Embrace
ZML57/403901-057 Coffee
ZML58/403901-058 Bison
ZML61/403901-061 Tiger Lily
ZML62/403901-062 Aurora
ZML69/403901-069 Lychee *
ZML71/403901-071 Daffodil
ZML72/403901-072 Ecru
ZML77/403901-077 Basil
ZML78/403901-078 Spruce
ZML79/403901-079 Fountain
ZML80/403901-080 Mykonos

* Color not available on Eames Aluminum Group, Executive Chairs, Upholstered Molded Plywood Chairs, and Sofa Compact.

Price Category D

Article – Maharam

54" wide
100% vinyl
ZAT08/458600-008 Marina
ZAT13/458600-013 Flume
ZAT14/458600-014 Storm
ZAT15/458600-015 Toast
ZAT19/458600-019 Fleece
ZAT22/458600-022 Stone
ZAT26/458600-026 Mercury
ZAT29/458600-029 Bluegrass
ZAT31/458600-031 Truffle

Mode – Maharam

54" wide
80% post-consumer recycled polyester
20% polyester
PFOA-Free stain resistant finish
ZMD01/466337-001 Stroll
ZMD02/466337-002 Intaglio
ZMD03/466337-003 Ominous
ZMD04/466337-004 Machine
ZMD05/466337-005 Talus
ZMD06/466337-006 Marsh
ZMD07/466337-007 Hollow
ZMD08/466337-008 Sycamore
ZMD09/466337-009 Clavicle
ZMD10/466337-010 Billygoat
ZMD11/466337-011 Spindle
ZMD12/466337-012 Lemon
ZMD13/466337-013 Oxeye
ZMD14/466337-014 Henge
ZMD15/466337-015 Goldenrod
ZMD16/466337-016 Cottontail
ZMD17/466337-017 Lioness
ZMD18/466337-018 Oriole
ZMD19/466337-019 Rust

Price category D continued on next page

- Maharam textiles are on assigned lead times [A](#).
- Fabric numbers are listed as Herman Miller fabric number/Maharam fabric number.

Maharam Textile Colors — Collection Seating

continued

Price Category D

continued

Mode continued

ZMD20/466337-020	Carotene
ZMD21/466337-021	Blush
ZMD22/466337-022	Vermilion
ZMD23/466337-023	Alder
ZMD24/466337-024	Kermes
ZMD25/466337-025	Barberry
ZMD26/466337-026	Petal
ZMD27/466337-027	Valley
ZMD28/466337-028	Odyssey
ZMD29/466337-029	Ballpoint
ZMD30/466337-030	Toile
ZMD31/466337-031	Paradise
ZMD32/466337-032	Angelfish
ZMD33/466337-033	Denim
ZMD34/466337-034	Crush
ZMD35/466337-035	Jetty
ZMD36/466337-036	Saltwater
ZMD37/466337-037	Mallard
ZMD38/466337-038	Celtic
ZMD39/466337-039	Eucalyptus
ZMD40/466337-040	Bonsai
ZMD41/466337-041	Sassafras
ZMD42/466337-042	Yucca
ZMD43/466337-043	Lichen

Price Category E

Focus - Maharam

57" wide	
54% post-industrial recycled polyester	
33% polyester	
13% post-consumer recycled polyester	
ZFS02/465910-002	Allow
ZFS07/465910-007	Merlot
ZFS09/465910-009	Carbon
ZFS10/465910-010	Regatta

Ledger – Maharam

54" wide	
100% polyurethane	
V9G1/463770-001	001
V9G2/463770-002	002
V9G3/463770-003	003
V9G4/463770-004	004
V9GG/463770-017	017
V9GM/463770-022	022
V9GQ/463770-025	025
V9GS/463770-026	026
V9GU/463770-028	028
V9GV/463770-029	029
V9GW/463770-030	030
V9GX/463770-031	031
V9GY/463770-032	032
V9GZ/463770-033	033
V9G12/463770-036	036
V9G13/463770-037	037
V9G14/463770-038	038
V9G15/463770-039	039
V9G16/463770-040	040
V9G17/463770-041	041
V9G18/463770-042	042
V9G19/463770-043	043
V9G20/463770-044	044
V9G21/463770-045	045
V9G22/463770-046	046

Micro – Maharam

54" wide	
100% vinyl	
ZMB01/466099-001	Muslin
ZMB04/466099-004	Basalt
ZMB05/466099-005	Wenge
ZMB06/466099-006	Phantom
ZMB07/466099-007	Depth
ZMB08/466099-008	Cottage
ZMB09/466099-009	Hunter
ZMB11/466099-011	Tomatillo
ZMB12/466099-012	Brew
ZMB13/466099-013	Zest
ZMB14/466099-014	Tang
ZMB15/466099-015	Risk

Skein - Maharam

54" wide	
56% post-consumer recycled polyester	
44% polyester	
Z3201/466170-001	Burrow
Z3204/466170-004	Sumac
Z3205/466170-005	Pomegranate
Z3208/466170-008	Cinder
Z3209/466170-009	Dock
Z3210/466170-010	Cadet
Z3211/466170-011	Marsh

Price Category F

Abacus Standard - Maharam

54" wide	
54% post-industrial recycled polyester	
46% post-consumer recycled polyester	
ZAS10/466140-010	Replica *
ZAS11/466140-011	Cellar
ZAS12/466140-012	Extract

* Color not available on Eames Upholstered Molded Plywood Chairs and Sofa Compact.

Alloy - Maharam

54" wide	
100% polyurethane	
ZAY01/466064-001	Chalk *
ZAY02/466064-002	Oat
ZAY03/466064-003	Chamomile
ZAY04/466064-004	Navel
ZAY05/466064-005	Sultry
ZAY06/466064-006	Aubergine
ZAY07/466064-007	Truffle
ZAY08/466064-008	Peat
ZAY09/466064-009	Sapling
ZAY10/466064-010	Peacock
ZAY11/466064-011	Rave
ZAY12/466064-012	Baltic
ZAY13/466064-013	Lapis
ZAY14/466064-014	Indigo
ZAY15/466064-015	Heron
ZAY16/466064-016	Covert
ZAY17/466064-017	Zinc
ZAY18/466064-018	Mercury
ZAY19/466064-019	Flint
ZAY20/466064-020	Carbonite

* Color not available on Eames Aluminum Group, Executive Chairs, Upholstered Molded Plywood Chairs, and Sofa Compact.

Price category F continued on next page

Appendix: Maharam Textile Colors — Collection Seating

- Maharam textiles are on assigned lead times A.
- Fabric numbers are listed as Herman Miller fabric number/Maharam fabric number.

Maharam Textile Colors — Collection Seating

continued

Price Category F

continued

Alter - Maharam	
59" wide	
59% post-industrial recycled polyester	
41% post-consumer recycled polyester	
ZAL01/464880-001	Veil
ZAL02/464880-002	Terra
ZAL03/464880-003	Umbr
ZAL04/464880-004	Illustrate
ZAL05/464880-005	Glen
ZAL06/464880-006	Ore
ZAL07/464880-007	Portray

Bitmap - Maharam	
54" wide	
100% vinyl	
ZBT02/466066-002	Armadillo
ZBT05/466066-005	Blacktop
ZBT06/466066-006	Swift
ZBT07/466066-007	Freeze
ZBT10/466066-010	Aloe

Chime - Maharam	
54" wide	
100% vinyl	
V9M3/465350-003	Morel
V9M4/465350-004	Vessel
V9M7/465350-007	Particle
V9MA/465350-010	Peacock
V9MB/465350-011	Tranquil
V9MH/465350-018	Copper
V9MJ/465350-020	Slate
V9MV/465350-031	Verve
V9MW/465350-032	Understory
V9MX/465350-033	Royal

Coincide - Maharam	
54" wide	
100% polyester	
ZCJ01/465808-001	Mist
ZCJ02/465808-002	Drizzle
ZCJ03/465808-003	Cicada
ZCJ04/465808-004	Bungalow
ZCJ05/465808-005	Aurora
ZCJ06/465808-006	Currant
ZCJ07/465808-007	Raisin
ZCJ08/465808-008	Tranquil
ZCJ09/465808-009	Caribbean
ZCJ10/465808-010	Woodland
ZCJ11/465808-011	Acre

Crush - Maharam	
54" wide	
41% solution-dyed post-industrial recycled nylon	
41% solution-dyed nylon	
15% polyester	
3% polyolefin	
VS01/464780-001	001
VS02/464780-002	002
VS05/464780-005	005
VS08/464780-008	008
VS13/464780-013	013
VS16/464780-016	016
VS17/464780-017	017
VS18/464780-018	018
VS19/464780-019	019
VS20/464780-020	020
VS22/464780-022	022
VS23/464780-023	023
VS26/464780-026	026
VS27/464780-027	027

Exchange - Maharam	
58" wide	
58% post-industrial recycled polyester	
42% post-consumer recycled polyester	
ZEE01/466027-001	Cinder
ZEE02/466027-002	Sable
ZEE04/466027-004	Gull
ZEE06/466027-006	Coastline
ZEE07/466027-007	Clay
ZEE08/466027-008	Buck
ZEE10/466027-010	Rhubarb
ZEE11/466027-011	Punch

Pitch - Maharam	
54" wide	
100% vinyl	
ZPC01/466186-001	Alpine
ZPC02/466186-002	Cottonseed
ZPC04/466186-004	Pollen
ZPC05/466186-005	Citron
ZPC07/466186-007	Apple
ZPC08/466186-008	Fairway
ZPC09/466186-009	Chive
ZPC10/466186-010	Ridge
ZPC11/466186-011	Voyage
ZPC12/466186-012	Turquoise
ZPC13/466186-013	Riviera
ZPC14/466186-014	Inlet
ZPC15/466186-015	Captain
ZPC16/466186-016	Aura
ZPC17/466186-017	Coastal
ZPC18/466186-018	Fog
ZPC19/466186-019	Coal
ZPC20/466186-020	Saddle
ZPC21/466186-021	Mulberry
ZPC22/466186-022	Brick
ZPC24/466186-024	Flame
ZPC26/466186-026	Tumbleweed
ZPC27/466186-027	Tawny
ZPC28/466186-028	Derby
ZPC29/466186-029	Subtle
ZPC30/466186-030	Buff

Price category F continued on next page

- Maharam textiles are on assigned lead times [A](#).
- Fabric numbers are listed as Herman Miller fabric number/Maharam fabric number.

Maharam Textile Colors – Collection Seating

continued

Price Category F

continued

Plait - Maharam	
58" wide	
53% post-industrial recycled polyester	
32% polyester	
15% post-consumer recycled polyester	
Z2901/466052-001	Cobblestone
Z2902/466052-002	Sachet
Z2904/466052-004	Tavern
Z2905/466052-005	Sequoia
Z2906/466052-006	Rhubarb
Z2907/466052-007	Sangria
Z2908/466052-008	Reef
Z2909/466052-009	Stormy
Z2910/466052-010	Dapper
Rove - Maharam	
54" wide	
100% solution-dyed polyolefin with silver-based antimicrobial	
ZRV01/466096-001	Rice *
ZRV02/466096-002	Soba
ZRV03/466096-003	Owl
ZRV04/466096-004	Till
ZRV05/466096-005	Dijon
ZRV06/466096-006	Mum
ZRV07/466096-007	Nasturtium
ZRV08/466096-008	Vixen
ZRV09/466096-009	Roast
ZRV11/466096-011	Rind
ZRV12/466096-012	Grackle
ZRV13/466096-013	Indigo
ZRV14/466096-014	Drip
ZRV16/466096-016	Pomelo

* Color not available on Eames Sofa Compact.

Runner Standard - Maharam	
58" wide	
57% post-industrial recycled polyester	
43% post-consumer recycled polyester	
ZRA07/466167-007	Bluff
ZRA08/466167-008	Arid
ZRA09/466167-009	Grove
ZRA10/466167-010	Starboard
ZRA11/466167-011	Plot
ZRA12/466167-012	Carousel

Scuba - Maharam	
54" wide	
100% polyurethane	
V9B1/464930-001	Vanilla
V9B4/464930-004	Walnut
V9B5/464930-005	Chinchilla
V9B6/464930-006	Mahogany
V9B7/464930-007	Jet
V9B8/464930-008	Charcoal
V9B9/464930-009	Dolphin
V9BA/464930-010	Drizzle
V9BC/464930-012	Conifer
V9BD/464930-013	Bottle
V9BF/464930-015	Tourmaline
V9BG/464930-016	Sapphire
V9BH/464930-017	Electric
V9BJ/464930-018	Fig
V9BL/464930-020	Cabernet
V9BM/464930-021	Brick
V9BN/464930-022	Coral
V9BP/464930-023	Autumn

Steady - Maharam	
54" wide	
46% polyester	
35% post-industrial recycled polyester	
19% post-consumer recycled polyester	
ZSG01/465947-001	Cameo
ZSG02/465947-002	Drife
ZSG05/465947-005	Thrive
ZSG06/465947-006	Estuary
ZSG07/465947-007	Aegean
ZSG08/465947-008	Tidal

Strum - Maharam	
54" wide	
100% polyurethane with silane-based antimicrobial	
Z3301/466122-001	Overcast
Z3302/466122-002	Ridge
Z3304/466122-004	Pigeon
Z3305/466122-005	Char
Z3306/466122-006	Cabin
Z3307/466122-007	Bur
Z3308/466122-008	Abalone
Z3309/466122-009	Prawn
Z3310/466122-010	Gourd
Z3311/466122-011	Wheat
Z3312/466122-012	Lemongrass

Trait - Maharam	
54" wide	
50% solution-dyed nylon	
50% solution-dyed post-industrial recycled nylon	
TP09/464830-009	009
TP15/464830-015	015
TP16/464830-016	016
TP17/464830-017	017
TP20/464830-020	020

Price Category G

Across - Maharam	
54" wide	
100% post-consumer recycled polyester	
ZAD01/465964-001	Oat
ZAD02/465964-002	Camel
ZAD03/465964-003	Tobacco
ZAD04/465964-004	Forge
ZAD05/465964-005	Terrace
ZAD06/465964-006	Cloudburst
ZAD07/465964-007	Peacock
ZAD08/465964-008	Schooner
ZAD09/465964-009	Urge
ZAD10/465964-010	Earthen
ZAD11/465964-011	Marmalade

Akimbo - Maharam	
54" wide	
100% solution-dyed nylon	
ZAK01/464770-001	Parchment
ZAK02/464770-002	Bliss
ZAK04/464770-004	Walnut
ZAK05/464770-005	Carnelian
ZAK07/464770-007	Hearth

Basel - Maharam	
55" wide	
90% wool	
10% nylon	
ZB101/466214-121	121
ZB102/466214-123	123
ZB103/466214-126	126
ZB104/466214-127	127
ZB105/466214-129	129
ZB106/466214-181	181
ZB107/466214-183	183
ZB108/466214-186	186
ZB109/466214-187	187
ZB110/466214-189	189

Price category G continued on next page

- Maharam textiles are on assigned lead times [A](#).
- Fabric numbers are listed as Herman Miller fabric number/Maharam fabric number.

Maharam Textile Colors – Collection Seating

continued

Price Category G

Canvas – Maharam	
55" wide	
90% wool	
10% nylon	
ZC501/466185-114	114 *
ZC502/466185-124	124
ZC503/466185-134	134
ZC504/466185-154	154
ZC505/466185-174	174
ZC506/466185-224	224 *
ZC507/466185-244	244
ZC508/466185-254	254
ZC509/466185-264	264
ZC510/466185-364	364
ZC511/466185-374	374
ZC512/466185-414	414 *
ZC513/466185-424	424
ZC514/466185-454	454
ZC515/466185-614	614 *
ZC516/466185-644	644
ZC517/466185-654	654
ZC518/466185-674	674
ZC519/466185-684	684
ZC520/466185-694	694
ZC521/466185-734	734
ZC522/466185-764	764
ZC523/466185-794	794
ZC524/466185-854	854
ZC525/466185-954	954
ZC526/466185-964	964
ZC527/466185-974	974
ZC528/466185-984	984
ZC529/466185-216	216
ZC530/466185-356	356
ZC531/466185-446	446
ZC532/466185-546	546
ZC533/466185-556	556
ZC534/466185-566	566
ZC535/466185-576	576

* Color not available on Eames Upholstered Molded Plywood Chairs and Sofa Compact.

Canvas – Maharam continued	
ZC536/466185-666	666
ZC537/466185-716	716
ZC538/466185-726	726
ZC539/466185-746	746
ZC540/466185-786	786
ZC541/466185-836	836
ZC542/466185-926	926
ZC543/466185-936	936
ZC544/466185-946	946
ZC545/466185-996	996

* Color not available on Eames Upholstered Molded Plywood Chairs and Sofa Compact.

Chance – Maharam	
54" wide	
62% cotton	
33% polyester	
5% rayon	
V9C1/464010-001	Harvest
V9C4/464010-004	Pond
V9C5/464010-005	Pencil
V9C6/464010-006	Bison

Circuit - Maharam	
54" wide	
38% rayon	
34% post-industrial recycled polyester	
28% post-consumer recycled polyester	
ZCU07/466089-007	Radar

Coincide High Performance- Maharam	
54" wide	
100% polyester	
ZCF02/466132-002	Drizzle
ZCF03/466132-003	Cicada
ZCF04/466132-004	Bungalow
ZCF11/466132-011	Acre

Colline – Maharam	
55" wide	
75% wool	
17% acrylic	
8% nylon	
ZCQ01/466155-108	108 *
ZCQ02/466155-118	118
ZCQ03/466155-148	148
ZCQ04/466155-188	188
ZCQ05/466155-228	228
ZCQ06/466155-348	348
ZCQ07/466155-448	448
ZCQ08/466155-548	548
ZCQ09/466155-568	568
ZCQ10/466155-668	668
ZCQ11/466155-688	688
ZCQ12/466155-788	788

* Color not available on Striad Lounge Chair and Ottoman.

Compound - Maharam	
54" wide	
100% polyurethane with silane-based antimicrobial	
ZC201/466196-001	Quartz
ZC202/466196-002	Mirage
ZC203/466196-003	Weathered
ZC204/466196-004	Cliff
ZC205/466196-005	Espresso
ZC206/466196-006	Smolder
ZC207/466196-007	Blaze
ZC208/466196-008	Mandarin
ZC209/466196-009	Maple
ZC210/466196-010	Perennial
ZC211/466196-011	Mountainside
ZC212/466196-012	Tundra
ZC213/466196-013	Manatee
ZC214/466196-014	Marine
ZC215/466196-015	Twilight
ZC216/466196-016	Shelter
ZC217/466196-017	Vessel
ZC218/466196-018	Smoke
ZC219/466196-019	Fog

Crew - Maharam	
54" wide	
100% polyester	
ZCZ01/466149-001	Guide
ZCZ02/466149-002	Pike
ZCZ03/466149-003	Dock
ZCZ04/466149-004	Topiary
ZCZ05/466149-005	Hosta
ZCZ06/466149-006	Cork
ZCZ07/466149-007	Cinnamon
ZCZ08/466149-008	Stern
ZCZ09/466149-009	Soak
ZCZ10/466149-010	Jam

Dart - Maharam	
54" wide	
63% polyester	
37% cotton	
T104/464040-004	Bartlett
T106/464040-006	Beeswax
T114/464040-014	Cajole
T116/464040-016	Nightshade
T117/464040-017	Scribe
T118/464040-018	Shale
T120/464040-020	Ardor
T122/464040-022	Maize
T123/464040-023	Wade
T124/464040-024	Flood

Decode – Maharam	
54" wide	
50% solution-dyed nylon	
50% solution-dyed post-industrial recycled nylon	
VA06/464800-006	006
VA07/464800-007	007
VA17/464800-017	017

Price category G continued on next page

- Maharam textiles are on assigned lead times [A](#).
- Fabric numbers are listed as Herman Miller fabric number/Maharam fabric number.

Maharam Textile Colors — Collection Seating

continued

Price Category G

continued

Disperse - Maharam	
53" wide	
100% post-consumer recycled polyester	
ZDP02/466017-002	Sky
ZDP03/466017-003	Chalk
ZDP05/466017-005	Lime
ZDP06/466017-006	Mediterranean
ZDP07/466017-007	Cornflower
ZDP09/466017-009	Ember
ZDP10/466017-010	Carnelian
ZDP13/466017-013	Midnight

Divina Melange — Maharam	
59" wide	
100% wool	
TG01/460830-120	120
TG02/460830-170	170
TG03/460830-180	180
TG04/460830-220	220
TG05/460830-260	260
TG06/460830-280	280
TG07/460830-871	871
TG08/460830-821	821
TG09/460830-771	771
TG10/460830-721	721
TG11/460830-731	731
TG12/460830-681	681
TG13/460830-631	631
TG15/460830-671	671
TG16/460830-581	581
TG17/460830-531	531
TG18/460830-521	521
TG19/460830-571	571
TG20/460830-421	421
TG21/460830-471	471
TG22/460830-931	931
TG24/460830-971	971
TG25/460830-920	920
TG26/460830-620	620

Drape - Maharam	
54" wide	
100% vinyl	
ZDE01/466145-001	Chalk
ZDE04/466145-004	Cog
ZDE05/466145-005	Alert
ZDE08/466145-008	Carrier
ZDE10/466145-010	Cargo

Floret - Maharam	
54" wide	
100% polyester	
ZFE03/464070-003	Cedar
ZFE06/464070-006	Offshore
ZFE08/464070-008	Arabica
ZFE09/464070-009	Midnight

Fluent Crypton - Maharam	
54" wide	
52% polyester	
31% post-industrial recycled polyester	
17% post-consumer recycled polyester	
ZFC01/466073-001	Lynx
ZFC02/466073-002	Burlap
ZFC04/466073-004	Rum
ZFC08/466073-008	Bittersweet
ZFC09/466073-009	Mulch
ZFC12/466073-012	Bayou
ZFC13/466073-013	Bottle
ZFC14/466073-014	Cadet
ZFC15/466073-015	Formal
ZFC16/466073-016	Gentle
ZFC17/466073-017	Cub
ZFC18/466073-018	Patch
ZFC19/466073-019	Bounce
ZFC20/466073-020	Aubergine
ZFC21/466073-021	Bedrock
ZFC22/466073-022	Turf
ZFC23/466073-023	Cobalt
ZFC24/466073-024	Steady

Kindred - Maharam	
54" wide	
90% polyester	
10% rayon	
ZKN01/466166-001	Mason
ZKN02/466166-002	Cove
ZKN03/466166-003	Fresh
ZKN04/466166-004	Glen
ZKN05/466166-005	Heirloom
ZKN06/466166-006	Chestnut
ZKN07/466166-007	Chiminea

Mimic - Maharam	
54" wide	
100% polyurethane with silane-based antimicrobial	
ZMM01/466136-001	Cloud *
ZMM02/466136-002	Enamel
ZMM03/466136-003	Almond
ZMM04/466136-004	Cement
ZMM05/466136-005	Clay
ZMM06/466136-006	Suntan
ZMM07/466136-007	Totem
ZMM08/466136-008	Castanet
ZMM09/466136-009	Panther
ZMM10/466136-010	Umbra
ZMM11/466136-011	Ultramarine
ZMM12/466136-012	Reservoir
ZMM13/466136-013	Iguana
ZMM14/466136-014	Goldenrod
ZMM15/466136-015	Chutney
ZMM16/466136-016	Laser

* Color not available on Eames Aluminum Group, Executive Chairs, Upholstered Molded Plywood Chairs, and Sofa Compact.

Pare — Maharam	
54" wide	
52% wool	
26% polyester	
22% nylon	
PFOA-free stain resistant finish	
ZPR01/466359-001	Polaris
ZPR02/466359-002	Mountain
ZPR03/466359-003	Mineral
ZPR04/466359-004	Fresco
ZPR05/466359-005	Blossom
ZPR06/466359-006	Wink
ZPR07/466359-007	Concord
ZPR08/466359-008	Strawberry
ZPR09/466359-009	Solar
ZPR10/466359-010	Amulet
ZPR11/466359-011	Zest
ZPR12/466359-012	Elmwood
ZPR13/466359-013	Thyme
ZPR14/466359-014	Frost
ZPR15/466359-015	Oasis
ZPR16/466359-016	Denim
ZPR17/466359-017	Blueberry

Paver - Maharam	
54" wide	
100% solution-dyed polyolefin with silver-based antimicrobial	
ZPV02/466111-002	Billow
ZPV12/466111-012	Channel
ZPV13/466111-013	Pontoon

Price category G continued on next page

Appendix: Maharam Textile Colors — Collection Seating

- Maharam textiles are on assigned lead times ^A.
- Fabric numbers are listed as Herman Miller fabric number/Maharam fabric number.

Maharam Textile Colors – Collection Seating

continued

Price Category G

continued

Appendix: Maharam Textile Colors – Collection Seating

Remix – Maharam	
54" wide	
90% wool	
10% nylon	
V2601/465956-113	113
V2602/465956-123	123
V2603/465956-133	133
V2604/465956-143	143
V2605/465956-152	152
V2606/465956-163	163
V2607/465956-173	173
V2608/465956-183	183
V2609/465956-223	223
V2610/465956-233	233
V2611/465956-242	242
V2612/465956-252	252
V2613/465956-362	362
V2614/465956-373	373
V2615/465956-383	383
V2616/465956-393	393
V2617/465956-412	412
V2618/465956-422	422
V2619/465956-433	433
V2620/465956-443	443
V2621/465956-452	452
V2622/465956-543	543
V2623/465956-612	612
V2624/465956-632	632
V2625/465956-643	643
V2626/465956-653	653
V2627/465956-662	662
V2628/465956-672	672
V2629/465956-682	682
V2630/465956-692	692
V2631/465956-722	722
V2632/465956-733	733
V2633/465956-743	743
V2634/465956-753	753
V2635/465956-762	762
V2636/465956-773	773
V2637/465956-783	783

Remix continued	
V2638/465956-823	823
V2639/465956-842	842
V2640/465956-852	852
V2641/465956-873	873
V2642/465956-912	912
V2643/465956-923	923
V2644/465956-933	933
V2645/465956-942	942
V2646/465956-962	962
V2647/465956-973	973
V2648/465956-982	982
V2649/465956-954	954

Runner - Maharam	
54" wide	
57% post-industrial recycled polyester	
43% post-consumer recycled polyester	
ZRF01/466108-001	Bluff
ZRF02/466108-002	Arid
ZRF03/466108-003	Grove
ZRF04/466108-004	Starboard
ZRF05/466108-005	Plot
ZRF06/466108-006	Carousel

Sequence - Maharam	
54" wide	
100% solution-dyed polyolefin with silver-based antimicrobial	
Z3101/466179-001	Driftwood
Z3102/466179-002	Boardwalk
Z3104/466179-004	Alfresco
Z3105/466179-005	Plunge
Z3106/466179-006	Starboard
Z3107/466179-007	Veranda
Z3108/466179-008	Lodge
Z3109/466179-009	Flare

Steady Crypton - Maharam	
54" wide	
46% polyester	
35% post-industrial recycled polyester	
19% post-consumer recycled polyester	
V9E1/465946-001	Cameo
V9E2/465946-002	Drift
V9E4/465946-004	Bison
V9E5/465946-005	Thrive
V9E6/465946-006	Estuary
V9E7/465946-007	Aegean
V9EB/465946-011	Rhubarb
V9EC/465946-012	Brick

Steelcut – Maharam	
55" wide	
90% wool	
10% nylon	
ZSE01/464470-110	110 *
ZSE02/464470-120	120
ZSE03/464470-135	135
ZSE04/464470-140	140
ZSE05/464470-155	155
ZSE06/464470-160	160
ZSE07/464470-180	180
ZSE08/464470-190	190
ZSE09/464470-220	220
ZSE10/464470-240	240
ZSE11/464470-255	255
ZSE12/464470-265	265
ZSE13/464470-365	365
ZSE14/464470-370	370
ZSE15/464470-380	380

Steelcut continued	
ZSE16/464470-435	435
ZSE17/464470-445	445 *
ZSE18/464470-535	535
ZSE19/464470-545	545
ZSE20/464470-550	550
ZSE21/464470-605	605
ZSE22/464470-615	615
ZSE23/464470-625	625
ZSE24/464470-635	635
ZSE25/464470-655	655
ZSE26/464470-660	660
ZSE27/464470-685	685
ZSE28/464470-695	695
ZSE29/464470-760	760
ZSE30/464470-775	775
ZSE31/464470-780	780
ZSE32/464470-820	820
ZSE33/464470-835	835
ZSE34/464470-935	935
ZSE35/464470-950	950
ZSE36/464470-975	975
ZSE37/464470-985	985

* Color not available on Eames Executive Chairs, Upholstered Molded Plywood Chairs, and Sofa Compact.

Price category G continued on next page

- Maharam textiles are on assigned lead times [A](#).
- Fabric numbers are listed as Herman Miller fabric number/Maharam fabric number.

Maharam Textile Colors — Collection Seating

continued

Price Category G

continued

Steelcut Trio – Maharam	
55" wide	
90% wool	
10% nylon	
V2501/465906-105	105 * **
V2502/465906-113	113
V2503/465906-124	124
V2504/465906-133	133 *
V2506/465906-153	153
V2507/465906-195	195
V2508/465906-205	205 **
V2509/465906-213	213 *
V2513/465906-253	253
V2514/465906-283	283
V2518/465906-383	383
V2523/465906-453	453
V2525/465906-515	515 *
V2526/465906-533	533
V2527/465906-553	553 *
V2529/465906-645	645
V2534/465906-713	713
V2542/465906-865	865
V2543/465906-883	883
V2544/465906-915	915 *
V2545/465906-933	933
V2546/465906-945	945
V2547/465906-953	953
V2548/465906-965	965
V2549/465906-983	983
V2550/465906-176	176
V2551/465906-226	226
V2552/465906-236	236
V2553/465906-246	246
V2554/465906-266	266
V2555/465906-276	276
V2556/465906-336	336

Steelcut Trio continued	
V2557/465906-376	376
V2558/465906-416	416
V2559/465906-426	426
V2560/465906-436	436
V2561/465906-446	446
V2562/465906-466	466
V2563/465906-476	476
V2564/465906-506	506
V2565/465906-526	526
V2566/465906-576	576
V2567/465906-616	616
V2568/465906-636	636
V2569/465906-666	666
V2570/465906-686	686
V2571/465906-716	716
V2572/465906-746	746
V2573/465906-756	756
V2574/465906-776	776
V2575/465906-796	796
V2576/465906-806	806
V2577/465906-906	906
V2578/465906-916	916
V2579/465906-946	946
V2580/465906-966	966
V2581/465906-976	976
V2582/465906-996	996

* Colors available on Bevel Sofa and Bolster Sofa.

** Colors not available on Eames Molded Fiberglass Chairs Upholstered Seat Pad, Eames Molded Plastic Chairs Upholstered Seat Pad, and Eames Wire Chair Upholstered Seat Pad.

Sudden – Maharam	
54" wide	
100% polyurethane	
ZSD02/463000-002	002
ZSD03/463000-003	003
ZSD05/463000-005	005
ZSD06/463000-006	006
ZSD07/463000-007	007
ZSD08/463000-008	008
ZSD09/463000-009	009
ZSD10/463000-010	010
ZSD11/463000-011	011
ZSD13/463000-013	013
ZSD15/463000-015	015
ZSD16/463000-016	016
ZSD17/463000-017	017
ZSD18/463000-018	018
ZSD19/463000-019	019
ZSD20/463000-020	020
ZSD24/463000-024	024
ZSD27/463000-027	027
ZSD29/463000-029	029
ZSD30/463000-030	030
ZSD36/463000-036	036

Tilt - Maharam	
55" wide	
56% cotton	
35% polyester	
9% rayon	
ZTT01/466256-001	001
ZTT02/466256-002	002
ZTT03/466256-003	003
ZTT04/466256-004	004
ZTT05/466256-005	005
ZTT06/466256-006	006
ZTT07/466256-007	007
ZTT08/466256-008	008

Tonica – Maharam	
55" wide	
100% wool	
ZTC01/460850-111	111
ZTC02/460850-131	131
ZTC03/460850-132	132
ZTC04/460850-171	171
ZTC05/460850-182	182
ZTC06/460850-192	192
ZTC07/460850-221	221
ZTC08/460850-231	231
ZTC09/460850-272	272
ZTC10/460850-411	411
ZTC11/460850-412	412
ZTC12/460850-511	511
ZTC13/460850-512	512
ZTC14/460850-531	531
ZTC15/460850-532	532
ZTC16/460850-611	611
ZTC17/460850-612	612
ZTC18/460850-631	631
ZTC19/460850-632	632
ZTC20/460850-671	671
ZTC21/460850-672	672
ZTC22/460850-731	731
ZTC23/460850-732	732
ZTC24/460850-751	751
ZTC25/460850-752	752
ZTC26/460850-761	761
ZTC27/460850-762	762
ZTC28/460850-791	791
ZTC29/460850-792	792
ZTC30/460850-811	811
ZTC31/460850-812	812
ZTC32/460850-831	831
ZTC33/460850-832	832
ZTC34/460850-961	961
ZTC35/460850-962	962

Price category G continued on next page

- Maharam textiles are on assigned lead times [A](#).
- Fabric numbers are listed as Herman Miller fabric number/Maharam fabric number.

Maharam Textile Colors — Collection Seating

continued

Price Category G

continued

Urban - Maharam	
54" wide	
90% polyester	
10% rayon	
ZUR01/466079-001	Sketch
ZUR02/466079-002	Minnow
ZUR03/466079-003	Cremini
ZUR05/466079-005	Hearth
ZUR06/466079-006	Pool
ZUR07/466079-007	Marsh

Vestige - Maharam	
54" wide	
71% polyester	
29% rayon	
ZVT01/466259-001	001
ZVT02/466259-002	002
ZVT03/466259-003	003
ZVT04/466259-004	004
ZVT05/466259-005	005
ZVT06/466259-006	006
ZVT07/466259-007	007
ZVT08/466259-008	008
ZVT09/466259-009	009
ZVT10/466259-010	010

Price Category H

Abacus - Maharam	
54" wide	
54% post-industrial recycled polyester	
46% post-consumer recycled polyester	
ZAC01/466118-001	Replica *
ZAC02/466118-002	Canoe
ZAC03/466118-003	Cellar
ZAC04/466118-004	Restore
ZAC05/466118-005	Sprig
ZAC06/466118-006	Distill
ZAC07/466118-007	Festive
ZAC08/466118-008	Extract
ZAC09/466118-009	Silhouette

* Color not available on Eames Executive Chairs, Upholstered Molded Plywood Chairs, and Sofa Compact.

Anagram - Maharam	
54" wide	
42% cotton	
32% polyester	
26% nylon	
ZAN01/466067-001	Quarry
ZAN02/466067-002	Hush
ZAN03/466067-003	Electric
ZAN04/466067-004	Range
ZAN05/466067-005	Settle

Beam - Maharam	
54" wide	
58% polyester	
42% rayon	
ZBM07/466119-007	Brook
ZBM10/466119-010	Simmer

Blip - Maharam	
54" wide	
44% rayon	
24% nylon	
21% post-industrial recycled polyester	
11% post-consumer recycled polyester	
ZBG01/466129-001	Miner
ZBG04/466129-004	Tank
ZBG05/466129-005	Cove
ZBG06/466129-006	Coal
ZBG07/466129-007	Robust
ZBG08/466129-008	Siege

Chenille Cord - Maharam	
54" wide	
43% solution-dyed post-industrial recycled nylon	
42% solution-dyed nylon	
13% polyester	
2% polyolefin	
ZCC04/407808-004	004
ZCC06/407808-006	006
ZCC10/407808-010	010
ZCC18/407808-018	018
ZCC30/407808-030	030

Circles — Maharam	
55" wide	
70% cotton	
30% polyester	
ZT01/458310-001	Khaki
ZT02/458310-002	Fatigue
ZT03/458310-003	Document
ZT04/458310-004	Engine

Crosspatch — Maharam	
54" wide	
75% rayon	
25% polyester	
ZS01/458920-001	Song
ZS04/458920-004	Document

Ditto — Maharam	
54" wide	
77% post-industrial recycled polyester	
23% solution-dyed nylon	
Z2D1/465993-001	Nacre
Z2D2/465993-002	Shadow
Z2D3/465993-003	Saddle
Z2D9/465993-009	Fern
Z2DA/465993-010	Fountain
Z2DC/465993-012	Iron

Price category H continued on next page

- Maharam textiles are on assigned lead times [A](#).
- Fabric numbers are listed as Herman Miller fabric number/Maharam fabric number.

Maharam Textile Colors — Collection Seating

continued

Price Category H

continued

Divina — Maharam	
59" wide	
100% wool	
TF01/460730-154	154
TF03/460730-171	171
TF04/460730-173	173
TF05/460730-181	181
TF06/460730-191	191
TF08/460730-224	224
TF10/460730-236	236
TF13/460730-246	246
TF14/460730-334	334
TF16/460730-346	346
TF17/460730-356	356
TF18/460730-376	376
TF19/460730-384	384
TF20/460730-393	393
TF22/460730-426	426
TF23/460730-444	444
TF25/460730-462	462
TF26/460730-526	526
TF27/460730-536	536
TF29/460730-542	542
TF30/460730-552	552
TF31/460730-562	562
TF33/460730-584	584
TF37/460730-623	623
TF41/460730-626	626
TF42/460730-636	636
TF43/460730-652	652
TF47/460730-662	662
TF49/460730-666	666
TF51/460730-671	671

Divina continued	
TF53/460730-676	676
TF55/460730-684	684
TF56/460730-686	686
TF57/460730-691	691
TF58/460730-692	692
TF69/460730-696	696
TF70/460730-756	756
TF71/460730-826	826
TF72/460730-836	836
TF73/460730-846	846
TF74/460730-856	856
TF75/460730-876	876
TF76/460730-886	886
TF77/460730-936	936
TF78/460730-956	956
TF79/460730-966	966

Divina MD - Maharam	
59" wide	
100% wool	
Z2301/466150-193	193
Z2302/466150-203	203
Z2303/466150-213	213
Z2304/466150-293	293
Z2305/466150-343	343
Z2306/466150-353	353
Z2307/466150-363	363
Z2308/466150-413	413
Z2309/466150-433	433
Z2310/466150-453	453
Z2311/466150-613	613
Z2312/466150-633	633
Z2313/466150-653	653

Divina MD continued	
Z2314/466150-673	673
Z2315/466150-683	683
Z2316/466150-713	713
Z2317/466150-733	733
Z2318/466150-743	743
Z2319/466150-753	753
Z2320/466150-773	773
Z2321/466150-783	783
Z2322/466150-813	813
Z2323/466150-843	843
Z2324/466150-873	873
Z2325/466150-913	913
Z2326/466150-943	943
Z2327/466150-973	973

Dot Pattern — Maharam	
55" wide	
71% cotton	
29% polyester	
ZK01/458300-001	Document
ZK02/458300-002	Taupe
ZK04/458300-004	Red
ZK05/458300-005	Navy

Fasten — Maharam	
54" wide	
39% cotton	
39% rayon	
22% solution-dyed nylon	
ZFN05/466053-005	Canyon
ZFN08/466053-008	Monsoon

Hallingdal - Maharam	
51" wide	
70% wool	
30% rayon	
Z2401/460760-100	100 *
Z2402/460760-103	103
Z2403/460760-110	110 *
Z2404/460760-113	113
Z2405/460760-116	116
Z2406/460760-123	123
Z2407/460760-126	126
Z2408/460760-130	130
Z2409/460760-143	143 *
Z2410/460760-153	153 *
Z2411/460760-166	166 *
Z2412/460760-173	173
Z2413/460760-180	180 *
Z2414/460760-190	190
Z2415/460760-200	200
Z2416/460760-220	220 *
Z2417/460760-224	224
Z2418/460760-227	227
Z2419/460760-270	270
Z2420/460760-350	350 *
Z2421/460760-368	368 *
Z2422/460760-370	370
Z2423/460760-376	376
Z2424/460760-390	390
Z2425/460760-407	407
Z2426/460760-420	420
Z2427/460760-457	457
Z2428/460760-526	526
Z2429/460760-547	547
Z2430/460760-563	563
Z2431/460760-573	573
Z2432/460760-590	590 *
Z2433/460760-596	596
Z2434/460760-600	600 *
Z2435/460760-657	657
Z2436/460760-660	660
Z2437/460760-674	674
Z2438/460760-680	680

Price category H continued on next page

- Maharam textiles are on assigned lead times [A](#).
- Fabric numbers are listed as Herman Miller fabric number/Maharam fabric number.

Maharam Textile Colors – Collection Seating

continued

Price Category H

continued

Hallingdal continued	
Z2439/460760-687	687
Z2440/460760-694	694
Z2441/460760-702	702
Z2442/460760-723	723
Z2443/460760-733	733
Z2444/460760-750	750
Z2445/460760-753	753
Z2446/460760-754	754
Z2447/460760-763	763
Z2448/460760-764	764 *
Z2449/460760-773	773
Z2450/460760-810	810 *
Z2451/460760-840	840 *
Z2452/460760-850	850
Z2453/460760-890	890
Z2454/460760-907	907
Z2455/460760-944	944
Z2456/460760-960	960
Z2457/460760-968	968
Z2458/460760-980	980
Z2490 Light Blue 100/110/840	**
Z2491 Dark Blue 126/754/764	**
Z2492 Red 674/687/694	**
Z2493 Orange 526/600/680	**

* Colors available on Bevel Sofa and Bolster Sofa.
 ** Colors available only on Girard Color Wheel Ottoman. Refer to HermanMiller Collection Price Book.

Mechanism – Maharam	
54" wide	
100% polyester	
ZMC01/465952-001	Mercury
ZMC03/465952-003	Frenzy
ZMC10/465952-010	Pearl
ZMC11/465952-011	Bronze
ZMC13/465952-013	Titanium
ZMC14/465952-014	Smoke
ZMC15/465952-015	Tangerine
ZMC16/465952-016	Glow
ZMC17/465952-017	Sprout
ZMC18/465952-018	Aqua
ZMC19/465952-019	Sapphire

Mister – Maharam	
54" wide	
67% solution-dyed acrylic	
33% solution-dyed polyester	
ZMG01/466178-001	Breeze
ZMG02/466178-002	Meander
ZMG03/466178-003	Cricket
ZMG04/466178-004	Enliven
ZMG05/466178-005	Notice
ZMG06/466178-006	Azurite

Octave – Maharam	
54" wide	
65% solution-dyed acrylic	
35% solution-dyed polyester	
ZQT01/466116-001	Crisp
ZQT02/466116-002	Froth
ZQT03/466116-003	Beacon
ZQT04/466116-004	Ignite
ZQT06/466116-006	Theater
ZQT07/466116-007	Scenery
ZQT08/466116-008	Elope
ZQT09/466116-009	Spry
ZQT11/466116-011	Navigate

Offset – Maharam	
54" wide	
40% cotton	
36% nylon	
24% wool	
ZQF01/465951-001	Passage
ZQF02/465951-002	Fieldstone
ZQF03/465951-003	Coast
ZQF04/465951-004	Esplanade
ZQF05/465951-005	Oasis
ZQF06/465951-006	Spice
ZQF07/465951-007	Bloom

Regatta – Maharam	
54" wide	
65% solution-dyed acrylic	
35% solution-dyed polyester	
ZRT01/466189-001	Drift
ZRT02/466189-002	Parasol
ZRT03/466189-003	Shoreline
ZRT04/466189-004	Swell
ZRT05/466189-005	Cliff

Rule – Maharam	
54" wide	
67% solution-dyed acrylic	
33% solution-dyed polyester	
ZRU02/466190-002	Sail
ZRU03/466190-003	Refresh
ZRU04/466190-004	Spring
ZRU05/466190-005	Burst
ZRU06/466190-006	Pepper
ZRU07/466190-007	Dock
ZRU08/466190-008	Nightsky

Salon – Maharam	
54" wide	
92% wool	
8% nylon	
ZSL06/458670-006	Shade
ZSL09/458670-009	Brazen
ZSL11/458670-011	Tempest
ZSL14/458670-014	Path
ZSL16/458670-016	Spruce
ZSL18/458670-018	Island
ZSL21/458670-021	Fog
ZSL22/458670-022	Fieldstone
ZSL23/458670-023	Mulberry
ZSL24/458670-024	Terracotta

Small Dot Pattern – Maharam	
55" wide	
71% cotton	
29% polyester	
ZL01/458320-001	Document
ZL02/458320-002	Sand
ZL03/458320-003	Khaki
ZL04/458320-004	Taupe
ZL05/458320-005	Charcoal
ZL06/458320-006	Document Reverse
ZL07/458320-007	Red
ZL08/458320-008	Yellow
ZL09/458320-009	Green

Price category H continued on next page

- Maharam textiles are on assigned lead times [A](#).
- Fabric numbers are listed as Herman Miller fabric number/Maharam fabric number.

Maharam Textile Colors — Collection Seating

continued

Price Category H

continued

Star - Maharam	
55" wide	
100% trevira cs polyester	
ZST01/465966-117	117 *
ZST03/465966-177	177
ZST04/465966-197	197
ZST05/465966-237	237
ZST07/465966-357	357
ZST08/465966-367	367
ZST13/465966-547	547
ZST17/465966-667	667
ZST18/465966-687	687
ZST21/465966-757	757
ZST23/465966-787	787
ZST26/465966-947	947
ZST28/465966-222	222
ZST29/465966-442	442
ZST30/465966-452	452
ZST31/465966-622	622
ZST32/465966-642	642
ZST33/465966-692	692
ZST34/465966-742	742
ZST35/465966-932	932

* Color not available on Eames Sofa Compact.

Tonus - Maharam	
51" wide	
90% wool	
10% helanka	
ZTN01/460800-100	100
ZTN03/460800-109	109
ZTN05/460800-118	118
ZTN10/460800-125	125
ZTN13/460800-128	128
ZTN14/460800-129	129
ZTN15/460800-130	130
ZTN16/460800-131	131
ZTN17/460800-132	132
ZTN19/460800-135	135
ZTN21/460800-207	207
ZTN23/460800-210	210
ZTN26/460800-216	216
ZTN27/460800-240	240
ZTN29/460800-440	440
ZTN32/460800-508	508
ZTN34/460800-605	605
ZTN35/460800-608	608
ZTN36/460800-609	609
ZTN37/460800-610	610
ZTN38/460800-613	613
ZTN40/460800-615	615
ZTN41/460800-619	619
ZTN51/460800-631	631

Tonus continued	
ZTN54/460800-634	634
ZTN56/460800-636	636
ZTN59/460800-690	690
ZTN62/460800-840	840
ZTN63/460800-940	940
ZTN65/460800-224	224
ZTN66/460800-244	244
ZTN67/460800-364	364
ZTN68/460800-374	374
ZTN69/460800-394	394
ZTN70/460800-424	424
ZTN71/460800-454	454
ZTN72/460800-464	464
ZTN73/460800-474	474
ZTN74/460800-554	554
ZTN75/460800-654	654
ZTN76/460800-664	664
ZTN77/460800-684	684
ZTN78/460800-754	754
ZTN79/460800-764	764
ZTN80/460800-854	854
ZTN81/460800-914	914
ZTN82/460800-934	934
ZTN83/460800-954	954
ZTN84/460800-964	964
ZTN85/460800-974	974

Price Category I

Colorwheel – Maharam	
54" wide	
62% cotton	
38% solution-dyed	
post-industrial recycled nylon	
ZCW02/466163-002	Pumice
ZCW03/466163-003	Viridian
ZCW06/466163-006	Charcoal
ZCW07/466163-007	Carbon

Garden – Maharam	
54" wide	
39% solution-dyed	
post-industrial recycled nylon	
31% rayon	
30% cotton	
ZGN01/466134-001	Oat/Shell
ZGN03/466134-003	Pumice/Cay
ZGN04/466134-004	Fir/Moss
ZGN06/466134-006	Iron/Mineral
ZGN07/466134-007	Raven/Graphite

Price category I continued on next page

Appendix: Maharam Textile Colors — Collection Seating

- Maharam textiles are on assigned lead times A.
- Fabric numbers are listed as Herman Miller fabric number/Maharam fabric number.

Maharam Textile Colors – Collection Seating

continued

Price Category I

continued

Appendix: Maharam Textile Colors – Collection Seating

Highfield - Maharam	
55" wide	
100% trevira cs polyester	
ZKF01/465957-141	141
ZKF02/465957-181	181
ZKF03/465957-191	191
ZKF04/465957-214	214
ZKF05/465957-231	231
ZKF06/465957-241	241
ZKF07/465957-371	371
ZKF08/465957-444	444
ZKF09/465957-454	454
ZKF10/465957-634	634
ZKF11/465957-651	651
ZKF12/465957-674	674
ZKF13/465957-724	724
ZKF14/465957-734	734
ZKF15/465957-744	744
ZKF16/465957-781	781
ZKF17/465957-834	834
ZKF18/465957-864	864

Study - Maharam	
54" wide	
73% solution-dyed acrylic	
27% solution-dyed polyester	
ZSY01/466269-001	001
ZSY02/466269-002	002
ZSY03/466269-003	003
ZSY04/466269-004	004
ZSY05/466269-005	005

Tracery – Maharam	
52" wide	
34% solution-dyed nylon	
26% wool	
21% polyester	
19% cotton	
acrylic backing	
PFOA-free stain resistant finish	
ZT501/466372-001	Birch
ZT502/466372-002	Sterling
ZT503/466372-003	Flint
ZT504/466372-004	Indigo
ZT505/466372-005	Arctic
ZT506/466372-006	Kelp
ZT507/466372-007	Melon
ZT508/466372-008	Poppy
ZT509/466372-009	Copper
ZT510/466372-010	Papaya
ZT511/466372-011	Sepia

Vases – Maharam	
54" wide	
62% cotton	
38% solution dyed	
post-industrial recycled nylon	
ZVS01/466164-001	Berry
ZVS02/466164-002	Citrus
ZVS03/466164-003	Sprout
ZVS04/466164-004	Goldenrod

Vineyard – Maharam	
54" wide	
39% solution-dyed	
post-industrial recycled nylon	
31% rayon	
30% cotton	
ZVY01/466133-001	Taro
ZVY02/466133-002	Arbor
ZVY03/466133-003	Cay
ZVY04/466133-004	Smoke
ZVY07/466133-007	Mahogany
ZVY08/466133-008	Pitch

Voyage – Maharam	
54" wide	
100% wool	
ZVG05/456801-005	Maize
ZVG12/456801-012	Stone
ZVG25/456801-025	Briar
ZVG26/456801-026	Harvest
ZVG27/456801-027	Currant
ZVG28/456801-028	Twilight
ZVG30/456801-030	Lake
ZVG33/456801-033	Clover
ZVG34/456801-034	Thicket
ZVG36/456801-036	Chinchilla
ZVG37/456801-037	Parcel

Price Category J

Coach Cloth – Maharam	
54" wide	
100% wool	
ZCL08/458950-008	Dusk
ZCL09/458950-009	Mars
ZCL15/458950-015	Savile
ZCL17/458950-017	Llama
ZCL19/458950-019	Graphite
ZCL20/458950-020	Bittersweet

Design 9297 – Maharam	
55" wide	
51% cotton	
45% rayon	
4% polyester	
ZDD02/465230-002	Olive
ZDD03/465230-003	Lake
ZDD04/465230-004	Ocher
ZDD05/465230-005	Scarlet
ZDD06/465230-006	Magenta
ZDD07/465230-007	Peacock
ZDD08/465230-008	Umbr

Fluted Silk – Maharam	
54" wide	
85% silk	
8% cotton	
7% acrylic	
ZFK02/465982-002	Tarnish
ZFK04/465982-004	Virtue
ZFK05/465982-005	Calm
ZFK06/465982-006	Flaxen
ZFK08/465982-008	Merry
ZFK10/465982-010	Noticed
ZFK11/465982-011	Moody
ZFK12/465982-012	Constant
ZFK13/465982-013	Seed
ZFK14/465982-014	Eternal
ZFK15/465982-015	Honor
ZFK16/465982-016	Winkle
ZFK17/465982-017	Cranach
ZFK19/465982-019	Faint
ZFK20/465982-020	Discreet

Price category J continued on next page

- Maharam textiles are on assigned lead times [A](#).
- Fabric numbers are listed as Herman Miller fabric number/Maharam fabric number.

Maharam Textile Colors – Collection Seating

continued

Price Category J

continued

Melange Tweed – Maharam	
54" wide	
100% wool	
ZMT02/461190-002	Bramble
ZMT03/461190-003	Tweed
ZMT04/461190-004	Inca
ZMT05/461190-005	Saffron
ZMT06/461190-006	Summer

Mikado – Maharam	
54" wide	
79% cotton	
21% polyester	
V1901/459330-001	Umber
V1902/459330-002	Orange
V1903/459330-003	Ultramarine
V1904/459330-004	Pink
V1905/459330-005	Sepia

Soft Tweed – Maharam	
54" wide	
44% linen	
22% cotton	
20% acrylic	
8% bamboo viscose	
6% nylon	
ZSW01/466197-001	Sand
ZSW03/466197-003	Gold
ZSW05/466197-005	Steel
ZSW06/466197-006	Crimson
ZSW07/466197-007	Sepia

Tangram – Maharam	
54" wide	
68% polyester	
32% cotton	
ZTG01/466084-001	Tusk
ZTG03/466084-003	Lead
ZTG04/466084-004	Resin

Telary – Maharam	
54" wide	
41% cotton	
33% post-consumer recycled polyester	
26% nylon	
ZTA03/466151-003	Pebble
ZTA04/466151-004	Heron
ZTA05/466151-005	Voyage
ZTA08/466151-008	Molasses

Tokyo - Maharam	
59" wide	
67% wool	
24% polyester	
9% nylon	
ZT101/466247-112	112
ZT102/466247-132	132
ZT103/466247-182	182
ZT104/466247-242	242
ZT105/466247-252	252
ZT106/466247-352	352
ZT107/466247-432	432
ZT108/466247-632	632
ZT109/466247-652	652
ZT110/466247-682	682
ZT111/466247-692	692
ZT112/466247-732	732
ZT113/466247-782	782
ZT114/466247-952	952
ZT115/466247-982	982

Transport – Maharam	
56" wide	
48% rayon	
32% polyester	
20% linen	
ZTB01/466176-001	Breaker
ZTB02/466176-002	Grain
ZTB05/466176-005	Avenue

Waterborn - Maharam	
55" wide	
85% polyester	
15% polyurethane	
ZWB01/466097-123	123
ZWB02/466097-133	133
ZWB03/466097-153	153
ZWB04/466097-163	163
ZWB05/466097-183	183
ZWB06/466097-193	193
ZWB07/466097-203	203
ZWB08/466097-213	213
ZWB09/466097-223	223
ZWB10/466097-233	233
ZWB11/466097-243	243
ZWB12/466097-343	343
ZWB13/466097-353	353
ZWB14/466097-363	363
ZWB15/466097-373	373
ZWB16/466097-383	383
ZWB17/466097-443	443
ZWB18/466097-453	453
ZWB19/466097-463	463
ZWB20/466097-523	523
ZWB21/466097-543	543
ZWB22/466097-583	583
ZWB23/466097-603	603
ZWB24/466097-653	653
ZWB25/466097-663	663
ZWB26/466097-673	673
ZWB27/466097-693	693
ZWB28/466097-723	723
ZWB29/466097-743	743
ZWB30/466097-753	753
ZWB31/466097-773	773
ZWB32/466097-783	783
ZWB33/466097-793	793
ZWB34/466097-853	853
ZWB35/466097-883	883
ZWB36/466097-923	923
ZWB37/466097-933	933
ZWB38/466097-953	953
ZWB39/466097-973	973

Wool Rib – Maharam	
53" wide	
38% cotton	
29% acrylic	
19% wool	
7% alpaca	
7% nylon	
ZWR01/466198-001	Oat
ZWR03/466198-003	Turquoise
ZWR05/466198-005	Vermilion
ZWR06/466198-006	Magenta
ZWR07/466198-007	Garnet

Appendix: Maharam Textile Colors – Collection Seating

- Maharam textiles are on assigned lead times [A](#).
- Fabric numbers are listed as Herman Miller fabric number/Maharam fabric number.

Maharam Textile Colors – Collection Seating

continued

Price Category K

Carapace - Maharam	
54" wide	
37% cotton	
37% post-consumer recycled polyester	
26% solution-dyed nylon	
ZC601/466261-001	001
ZC602/466261-002	002
ZC603/466261-003	003
ZC604/466261-004	004
ZC605/466261-005	005
ZC606/466261-006	006
ZC607/466261-007	007

Checker – Maharam	
55" wide	
77% cotton	
23% polyester	
V1201/459830-001	Emerald Light/ Ivory
V1204/459830-004	Ultramarine/ Emerald
V1206/459830-007	Sienna Dark/ Khaki
V1207/459830-008	Black/White
V1209/459830-009	Ultramarine/ Turquoise
V1210/459830-010	Blue Gray/ Emerald
V1211/459830-011	Olive/Pink
V1212/459830-012	Magenta/ Orange
V1213/459830-013	Crimson/ Orange

Checker Split – Maharam	
55" wide	
77% cotton	
23% polyester	
V1301/460290-01	Black/White

Dingbats – Maharam	
54" wide	
74% cotton	
26% nylon	
ZDB01/465994-001	Taupe
ZDB02/465994-002	Olive
ZDB03/465994-003	Indigo
ZDB04/465994-004	Earth
ZDB05/465994-005	Onyx

Double Triangles – Maharam	
55" wide	
77% cotton	
23% polyester	
V1401/459840-001	Black/White

Facets – Maharam	
55" wide	
77% cotton	
23% polyester	
V1501/459850-001	Black/White

Optik – Maharam	
55" wide	
76% cotton	
24% polyester	
ZQP01/459960-001	Sun Yellow/ Orange
ZQP03/459960-003	White/Black

Orakelblume – Maharam	
55" wide	
59% cotton	
41% rayon	
ZQR02/463900-002	Bark
ZQR03/463900-003	Mineral
ZQR04/463900-004	Document
ZQR06/463900-006	Loden
ZQR07/463900-007	Danube

Painted Stripe – Maharam	
55" wide	
75% cotton	
25% polyester	
ZPS01/465998-001	Rosin
ZPS02/465998-002	Tempera
ZPS04/465998-004	Variance

Pavement – Maharam	
54" wide	
51% rayon	
49% cotton	
V2002/459740-002	Birch
V2003/459740-003	Grey
V2004/459740-004	Blue
V2005/459740-005	Rust
V2007/459740-007	Loden
V2008/459740-008	Copper
V2009/459740-009	Brown

Trees – Maharam	
53" wide	
55% cotton	
28% nylon	
17% wool	
ZTE01/466195-001	Thistle
ZTE02/466195-002	Begonia
ZTE03/466195-003	Carmine
ZTE04/466195-004	Rye
ZTE05/466195-005	Conifer
ZTE06/466195-006	Rice
ZTE07/466195-007	Ocher
ZTE08/466195-008	Shadow
ZTE09/466195-009	Brush

Unisol – Maharam	
55" wide	
61% rayon	
21% polyester	
18% cotton	
ZUN01/461160-001	Black/ White

Price Category L

Blumen – Maharam	
55" wide	
53% cotton	
47% rayon	
ZBN02/462870-002	Mustard
ZBN03/462870-003	Robin
ZBN05/462870-005	Espresso

Exaggerated Plaid – Maharam	
59" wide	
100% wool	
ZEP01/466039-001	Glen
ZEP02/466039-002	Brae
ZEP03/466039-003	Firth

Geometri – Maharam	
55" wide	
77% cotton	
23% polyester	
ZGM01/459970-001	Sun Yellow/ Orange
ZGM02/459970-002	Red/ Carmine
ZGM03/459970-003	Lilac/Blue
ZGM04/459970-004	White/Black

Price category L continued on next page

- Maharam textiles are on assigned lead times [A](#).
- Fabric numbers are listed as Herman Miller fabric number/Maharam fabric number.

Maharam Textile Colors – Collection Seating

continued

Price Category L

continued

Jacobs Coat – Maharam	
54" wide	
92% wool	
8% nylon	
V1601/462270-001	Multicolored Bright *
V1602/462270-002	Multicolored Neutral

* Color available on Girard Color Wheel Ottoman.

Letters – Maharam	
55" wide	
80% wool	
20% nylon	
ZLT01/462560-001	Sun
ZLT02/462560-002	Tangerine
ZLT03/462560-003	Scarlet
ZLT04/462560-004	Violet
ZLT05/462560-005	Cobalt
ZLT06/462560-006	Aqua
ZLT07/462560-007	Emerald
ZLT08/462560-008	Taupe

Millerstripe – Maharam	
54" wide	
92% wool	
8% rayon	
V1701/462250-001	Multicolored Bright
V1702/462250-002	Multicolored Neutral

Mohair Supreme - Maharam	
54" wide	
100% mohair	
ZMS01/451801-023	Ruby
ZMS02/451801-072	Stonehenge
ZMS04/451801-095	Acorn
ZMS06/451801-112	Slate *
ZMS07/451801-113	Rich Chocolate *
ZMS09/451801-126	Cayenne
ZMS10/451801-127	Cognac
ZMS12/451801-129	Peat *
ZMS13/451801-130	Grass
ZMS15/451801-133	Abbyss
ZMS16/451801-134	Intrigue
ZMS18/451801-136	Lupine *
ZMS23/451801-141	Maple
ZMS24/451801-142	Canela
ZMS26/451801-144	Starlet
ZMS28/451801-146	League
ZMS29/451801-147	Armory *

* Colors available on Eames Lounge Chair and Ottoman.

Monk's Wool – Maharam	
54" wide	
96% wool	
4% nylon	
ZMW01/457301-001	Tusk
ZMW03/457301-003	Slate
ZMW05/457301-005	Cherokee

Palio – Maharam	
55" wide	
61% cotton	
39% solution dyed post-industrial recycled nylon	
V1101/466107-001	Earth
V1102/466107-002	Sky
V1103/466107-003	Sun
V1104/466107-004	Multi

Pebble Wool – Maharam	
54" wide	
90% wool	
10% nylon	
ZPW01/457401-001	Birch
ZPW10/457401-010	Cottage
ZPW13/457401-013	Eggshell
ZPW14/457401-014	Whisper
ZPW15/457401-015	Ceramic
ZPW16/457401-016	Seamist
ZPW17/457401-017	Armory
ZPW18/457401-018	Glaze
ZPW19/457401-019	Cordial

Pebble Wool Multi – Maharam	
54" wide	
97% wool	
3% nylon	
ZPM01/461200-001	Fawn
ZPM02/461200-002	Slate
ZPM05/461200-005	Moss
ZPM06/461200-006	Tabasco

Quatrefoil – Maharam	
54" wide	
75% cotton	
25% nylon	
V2101/459350-001	Silver
V2102/459350-002	Pink
V2103/459350-003	Crimson
V2104/459350-004	Emerald
V2105/459350-005	Violet

Repeat Classic Stripe – Maharam	
55" wide	
47% cotton	
27% rayon	
26% polyester	
ZRS01/462170-001	Inca
ZRS02/462170-002	Pistachio
ZRS03/462170-003	Poppy
ZRS04/462170-004	Cadet
ZRS05/462170-005	Peacock

Repeat Dot Ring – Maharam	
55" wide	
75% cotton	
25% polyester	
ZRR01/462150-001	Gold
ZRR03/462150-003	Apple
ZRR04/462150-004	Pink
ZRR05/462150-005	Coral
ZRR07/462150-007	Gold
	Reverse
ZRR09/462150-009	Apple
	Reverse
ZRR10/462150-010	Pink
	Reverse
ZRR11/462150-011	Coral
	Reverse

Stripes - Maharam	
56" wide	
92% wool	
8% nylon	
ZSP01/463980-001	001
ZSP02/463980-002	002
ZSP03/463980-003	003
ZSP04/463980-004	004
ZSP05/463980-005	005
ZSP06/463980-006	006
ZSP07/463980-007	007
ZSP08/463980-008	008
ZSP09/463980-009	009
ZSP10/463980-010	010

The Story of My Life – Maharam	
54" wide	
83% rayon	
17% polyester	
ZTS02/464670-002	Hay
ZTS03/464670-003	Abbyss
ZTS04/464670-004	Venetian

Price category L continued on next page

Appendix: Maharam Textile Colors – Collection Seating

- Maharam textiles are on assigned lead times ^A.
- Fabric numbers are listed as Herman Miller fabric number/Maharam fabric number.

Maharam Textile Colors — Collection Seating

continued

Price Category L

continued

Toostripe – Maharam	
54" wide	
92% wool	
8% nylon	
V2201/462260-001	Orange Dark/ Crimson Dark
V2202/462260-002	Black/ Raw Umber
V2203/462260-003	Ochre Dark/ Sienna

Price Category M

Names – Maharam	
55" wide	
73% cotton	
27% polyester	
V1801/462510-001	Crimson On White
V1802/462510-002	Ultramarine On White
V1803/462510-003	Black On White

Ottoman Stripe – Maharam	
58" wide	
92% wool	
8% nylon	
ZQN01/466142-001	Brass
ZQN02/466142-002	Cocoa
ZQN03/466142-003	Dusk
ZQN04/466142-004	Pistachio
ZQN05/466142-005	Apricot

Pressed Plaid – Maharam	
54" wide	
100% wool	
T1101/466181-001	001
T1102/466181-002	002
T1103/466181-003	003
T1104/466181-004	004
T1105/466181-005	005
T1106/466181-006	006

Wool Striae – Maharam	
54" wide	
100% wool	
T1201/466184-001	001
T1202/466184-002	002
T1203/466184-003	003
T1204/466184-004	004
T1205/466184-005	005
T1206/466184-006	006
T1207/466184-007	007

Price Category N

Alpaca Epinglé - Maharam	
55" wide	
100% alpaca	
ZAE02/465902-002	Slate
ZAE06/465902-006	Graphite

Alpaca Velvet - Maharam	
54" wide	
100% alpaca	
ZAV01/465901-001	Alpine
ZAV04/465901-004	Ash
ZAV05/465901-005	Mahogany
ZAV06/465901-006	Charcoal
ZAV07/465901-007	Pewter

Bespoke Stripe - Maharam	
56" wide	
100% wool	
ZBP01/463540-001	Navy
ZBP02/463540-002	Tobacco
ZBP03/463540-003	Chocolate
ZBP04/463540-004	Charcoal
ZBP05/463540-005	Black
ZBP06/463540-006	Pewter

Herringbone Stripe - Maharam	
57" wide	
100% wool	
ZKP01/465945-001	Granite
ZKP02/465945-002	Espresso
ZKP03/465945-003	Graphite
ZKP04/465945-004	Indigo
ZKP05/465945-005	Raven

Point – Maharam	
53" wide	
97% rayon	
3% nylon	
ZPT01/466090-001	Ivory and Ember
ZPT02/466090-002	Black and Coral
ZPT03/466090-003	Slate and Khaki
ZPT04/466090-004	Black and Cobalt
ZPT05/466090-005	Black and Khaki
ZPT06/466090-006	Slate and Mandarin
ZPT07/466090-007	Slate and Black
ZPT08/466090-008	Brick and Greige
ZPT09/466090-009	Gold and Black
ZPT10/466090-010	Greige and Peat
ZPT11/466090-011	Peat and Mandarin
ZPT12/466090-012	Crimson
ZPT13/466090-013	Mandarin
ZPT14/466090-014	Citrus
ZPT15/466090-015	Grass
ZPT16/466090-016	Cyan
ZPT17/466090-017	Cobalt

Wool Velvet - Maharam	
54" wide	
100% wool	
ZWV01/466120-001	Plush
ZWV02/466120-002	Subdue
ZWV03/466120-003	Flagstone
ZWV04/466120-004	Nori
ZWV06/466120-006	Bridle
ZWV07/466120-007	Covert
ZWV08/466120-008	Gateway

- Maharam textiles are on assigned lead times [A](#).
- Fabric numbers are listed as Herman Miller fabric number/Maharam fabric number.

Maharam Textile Colors — Collection Seating

continued

Price Category O

Bavaria Stripe – Maharam
 55" wide
 77% polyester
 23% cotton
 ZBS02/466161-002 Unique

Price Category P

Big Stripe – Maharam
 55" wide
 92% wool
 8% nylon
 ZBR01/466174-001 Peacock
 ZBR02/466174-002 Spring
 ZBR03/466174-003 Umber
 ZBR04/466174-004 Poppy
 ZBR05/466174-005 Cobalt

Brushed Merino – Maharam
 54" wide
 90% merino wool
 10% cashmere
 ZBJ01/465983-001 Non
 ZBJ02/465983-002 Feather
 ZBJ03/465983-003 Doe
 ZBJ04/465983-004 Wither
 ZBJ05/465983-005 Nook
 ZBJ06/465983-006 Senf
 ZBJ07/465983-007 Cheshire
 ZBJ08/465983-008 Cadmium
 ZBJ09/465983-009 Hewn
 ZBJ11/465983-011 Ardenne
 ZBJ12/465983-012 Dandy
 ZBJ13/465983-013 Sprig

Epinglé Stripe - Maharam
 50" wide
 100% cotton
 ZES01/466007-001 Caramel
 ZES02/466007-002 Lead
 ZES03/466007-003 Violet
 ZES04/466007-004 Mahogany
 ZES05/466007-005 Olive

Layers Garden – Maharam
 52" wide
 96% wool
 3% nylon
 1% polyester
 ZLY01/465916-001 Ivy/Bronze
 ZLY02/465916-002 Putty/
 Turquoise
 ZLY03/465916-003 Pewter/
 White
 ZLY04/465916-004 Chocolate/
 Lilac
 ZLY05/465916-005 Peat/Copper

Layers Park – Maharam
 52" wide
 95% wool
 3% nylon
 2% polyester
 ZLP01/465918-001 Ash/Snow
 ZLP02/465918-002 Mineral/Sky
 ZLP03/465918-003 Poppy/
 Melon
 ZLP04/465918-004 Indigo/
 White
 ZLP05/465918-005 Earth/Cobalt

Layers Vineyard Large – Maharam
 52" wide
 95% wool
 3% nylon
 2% polyester
 ZLV01/465921-001 Ivory/Onyx
 ZLV02/465921-002 Slate/Azure
 ZLV03/465921-003 Loden/Sky
 ZLV04/465921-004 Taupe/
 Crimson
 ZLV05/465921-005 Black/
 Mahogany

Layers Vineyard Small – Maharam
 52" wide
 92% wool
 5% polyester
 3% nylon
 ZLS01/465920-001 Ochre/White
 ZLS02/465920-002 Scarlet/
 Peony
 ZLS03/465920-003 Taupe/Violet
 ZLS04/465920-004 Jade/
 Turquoise
 ZLS05/465920-005 Ginger/Rose

Appendix: Maharam Textile Colors — Collection Seating

- Maharam textiles are on assigned lead times [A](#).
- Fabric numbers are listed as Herman Miller fabric number/Maharam fabric number.

Maharam Textile Colors — Collection Seating

continued

Price Category Q

A Band Apart – Maharam
56" wide
75% polyester
25% cotton
ZAB01/466000-001 Unique
Aftermath – Maharam
55" wide
75% polyester
25% cotton
ZAM01/466169-001 Unique
Agency – Maharam
55" wide
75% polyester
25% cotton
ZAG02/466001-002 002
ZAG04/466001-004 004
ZAG05/466001-005 005
ZAG06/466001-006 006
ZAG07/466001-007 007
ZAG08/466001-008 008
Brushed Camel – Maharam
58" wide
100% baby camel hair
ZBA01/465977-001 Albino
ZBA02/465977-002 Natural

Price Category R

Deconstructed Rose – Maharam
55" wide
65% polyester
32% cotton
3% rayon
ZDS01/466086-001 Golden
ZDS02/466086-002 Vivid
ZDS03/466086-003 Earthen
Massive Paisley – Maharam
57" wide
76% polyester
24% cotton
ZMV01/465915-001 Ash
ZMV03/465915-003 Cardinal
ZMV06/465915-006 Night
The Firm – Maharam
56" wide
75% polyester
25% cotton
ZTF03/465999-003 Unique

Price Category S

Borders – Maharam
53" wide
98% wool
2% polyester
ZBB01/466082-001 Natural
ZBB02/466082-002 Greige
ZBB03/466082-003 Charcoal
ZBB04/466082-004 Walnut
Compartment – Maharam
50" wide
100% cotton
ZCA01/466154-001 001
ZCA02/466154-002 002
ZCA03/466154-003 003

Bavaria – Maharam
55" wide
73% polyester
27% cotton
ZBV01/466162-001 Unique

- Maharam textiles are on assigned lead times [A](#).
- Fabric numbers are listed as Herman Miller fabric number/Maharam fabric number.

Maharam Textile Colors — Collection Seating

continued

Price Category T

Hours – Maharam

56" wide
 95% wool
 3% nylon
 2% rayon
 ZKR01/466092-001 Day
 ZKR02/466092-002 Night

Price Category U

Layers Garden Double – Maharam

52" wide
 96% wool
 3% nylon
 1% polyester
 ZLD01/465917-001 Ash/
 Quartz/
 Grass
 ZLD02/465917-002 Earth/
 Chocolate/
 Coral
 ZLD03/465917-003 Black/
 Navy/
 Cobalt

Layers Park Double – Maharam

52" wide
 96% wool
 3% nylon
 1% polyester
 ZLB01/465919-001 Mineral/
 Taupe/
 Lemon
 ZLB02/465919-002 Sienna/
 Ginger/
 Rose
 ZLB03/465919-003 Black/
 Peat/
 Copper

Price Category V-W

No fabrics available at this time.

Price Category X

Eden – Maharam

56" wide
 83% polyester
 17% cotton
 ZED01/466258-001 001
 ZED02/466258-002 002
 ZED03/466258-003 003
 ZED04/466258-004 004
 ZED05/466258-005 005

Foliage – Maharam

56" wide
 75% polyester
 25% cotton
 ZFG01/466257-001 001
 ZFG02/466257-002 002
 ZFG03/466257-003 003
 ZFG04/466257-004 004
 ZFG05/466257-005 005

- Maharam textiles are on assigned lead times [A](#).
- Fabric numbers are listed as Herman Miller fabric number/Maharam fabric number.

Maharam Textile Colors — Collection Seating

continued

Price Category Y

Industry – Maharam
 55" wide
 80% polyester
 20% cotton
 ZND01/466255-001 001

Price Category Z

No fabrics available at this time.

Leather Price Category 10M

Pace Leather – Maharam
 approx. 50 sq. ft. per hide
 100% leather

- ZPA01/700011-001 Whisper
- ZPA02/700011-002 Shy
- ZPA03/700011-003 Granite
- ZPA04/700011-004 Misty
- ZPA05/700011-005 Studio
- ZPA06/700011-006 Throne
- ZPA07/700011-007 Proper
- ZPA08/700011-008 Huron
- ZPA09/700011-009 Darkroom
- ZPA10/700011-010 Bark
- ZPA11/700011-011 Raspberry
- ZPA12/700011-012 Sangria
- ZPA13/700011-013 Admiral
- ZPA14/700011-014 Juniper
- ZPA15/700011-015 Regal
- ZPA16/700011-016 Vapor
- ZPA17/700011-017 Valley
- ZPA18/700011-018 Bushel
- ZPA19/700011-019 Heirloom
- ZPA20/700011-020 Palomino
- ZPA21/700011-021 Bamboo
- ZPA22/700011-022 Saffron
- ZPA23/700011-023 Tearose
- ZPA24/700011-024 Canyon
- ZPA25/700011-025 Bistro
- ZPA26/700011-026 Toffee
- ZPA27/700011-027 Rodeo
- ZPA28/700011-028 Mudslide
- ZPA29/700011-029 Greige
- ZPA30/700011-030 Reflection
- ZPA31/700011-031 Pure
- ZPA32/700011-032 Desert
- ZPA33/700011-033 Griffin
- ZPA34/700011-034 Urbane
- ZPA35/700011-035 Woodrose

- Maharam textiles are on assigned lead times A.
- Fabric numbers are listed as Herman Miller fabric number/Maharam fabric number.

For more information about our products and services or to see a list of dealers, please visit us at HermanMiller.com or call (800) 851 1196.

© 2019 Herman Miller, Inc., Zeeland, Michigan

Distribution Rights

Working together since 1956, Herman Miller and Vitra are the authentic sources of designs by Charles and Ray Eames, Alexander Girard, and George Nelson. All the designs shown in this book are protected by law. Herman Miller has obtained all rights to make and sell these designs. Also, Herman Miller holds exclusive worldwide manufacturing and distribution rights for these products with the following exceptions:

Charles and Ray Eames, George Nelson, and Alexander Girard—Worldwide distribution rights for furniture in all areas except Europe and the Middle East. For those areas, please contact Vitra.

Isamu Noguchi—Worldwide distribution rights for the Noguchi Rudder Table. Distribution rights for the Noguchi Table in North America and Central America only. For all other areas, please contact Vitra.

Magis—Exclusive distribution rights in the US and Canada. For all other areas, please contact Magis.

Mattiazzi—Exclusive distribution rights in the US and Canada. For all other areas, please contact Mattiazzi.

® **HermanMiller**, ●, 3D Intelligent, AO, Action Office, Aeron, ArcSpan, Aside, Avall, Avive, Bubble Lamps, Canvas Office Landscape, Caper, Celle, Co/Struc, Daisiyone, Distil, Eames, Eco-Dematerialized, Embody, Envelop, Equa 2, Ergon 3, Ethospace, Exclave, Fine-Tune, FlexFront, Flo, Formcoat, Formwork, Ground Cloth, Herman Miller for the Home, Herman Miller for Healthcare, Intersect, Kinemat, Lapjack, Layout Studio, Lifework, Limerick, Live Unframed, Living Office, Locale, Maharam, Meridian, Mirra, Passage, Pellicle, Perspectives, PostureFit, Public Office Landscape, Resolve, Rodney, Sayl, Setu, Thrive, Tu, Wishbone, and Y-Tower are among the registered trademarks of Herman Miller, Inc., and its owned subsidiaries.

™ 8Z Pellicle, About Face, AireWeave, Albert, Backfit, Bubbletack, Burdick Group, Butterfly Back, Celeste, Cellular Suspension, Clam, Compass, Connect, Cosm, Cubert, DOT, Duracare, Durawrap, Eames Soft Pad, EnhancedAccess, Everywhere, Flex-Edge, Flute, Harmonic, Herman Miller Select, Hopsak 2, Intent, Iota, Jaw, Keyless Entry, Keyn Chair Group by Herman Miller, Latitude, Lino, Locale, Logic Mini, Logic Power Access Solutions, Live OS, Loop, Lyris, Lyris 2, Made-to-Measure Storage, Metaform Portfolio, Mora, Motia, Multiscrim, Nelson, Nevi, Overlay, Pari, Pixelated Support, Plex, PostureFit SL, Prospect, Q, Renew, Sense, Soft Pad, Stackable, Stackable Storage, Striad, Swoop, Tone, TriFlex, Twist, Ubi, Verus, Vista and Wireframe are among the trademarks of Herman Miller, Inc., and its owned subsidiaries.

SM Herman Miller Options is among the service marks of Herman Miller, Inc.

AAP™ is a trademark of Extron Electronics.

Alexander Girard® is a registered trademark of The Alexander Girard Estate.

Chemsurf® is a registered trademark of Wilsonart International.

Corian® is a registered trademark of E. I. du Pont de Nemours and Company Corporation.

Crypton® is a registered trademark of Crypton, Inc.

DACRON® is a registered trademark of INVISTA S.a r.l.

Decora® is a registered trademark of Leviton Manufacturing Co., Inc.

Edelman® Leather is a registered trademark of Edelman Leather, Inc.

Extron® is a registered trademark of RGB Systems, Inc.

FENIX NTM® is a registered trademark of Arpa Industriale S.p.A.

FLEXNET™ is a trademark of Milliken & Company.

Floor Saver Glide® is a registered trademark of Carpin Manufacturing, Inc.

Geiger® is a registered trademark, and Bumper™, Saiba™, and Ward Bennett™ are trademarks, of Geiger International.

Goetz™ is a trademark of Mark W. Goetz.

Hang-It-All® is a registered trademark of Lucia Eames Demetrios, d.b.a. Eames Office.

Holophane® is a registered trademark of Holophane.

Ingeo™ is a trademark of Cargill Dow LLC.

iPad® is a registered trademark of Apple, Inc.

LifeSize® is a registered trademark of LifeSize Communications, Inc.

Magis®, Bombo®, and Me Too® are registered trademarks of Magis S.p.A.

Microsoft® and Natural® Keyboard are registered trademarks of Microsoft Corporation.

Noguchi® and the Noguchi table configuration (trade dress) are registered trademarks, and Rudder Table™ is a trademark, of The Isamu Noguchi Foundation and Garden Museum.

Place Textiles® is a registered trademark of Place Textiles.

SuperSeat™ is a trademark of Dahti Seating, a division of ITW.