

If you have a problem, question, or request, call your local dealer, or Steelcase Line 1 at **888.STEELCASE** (888.783.3522) for immediate action by people who want to help you.

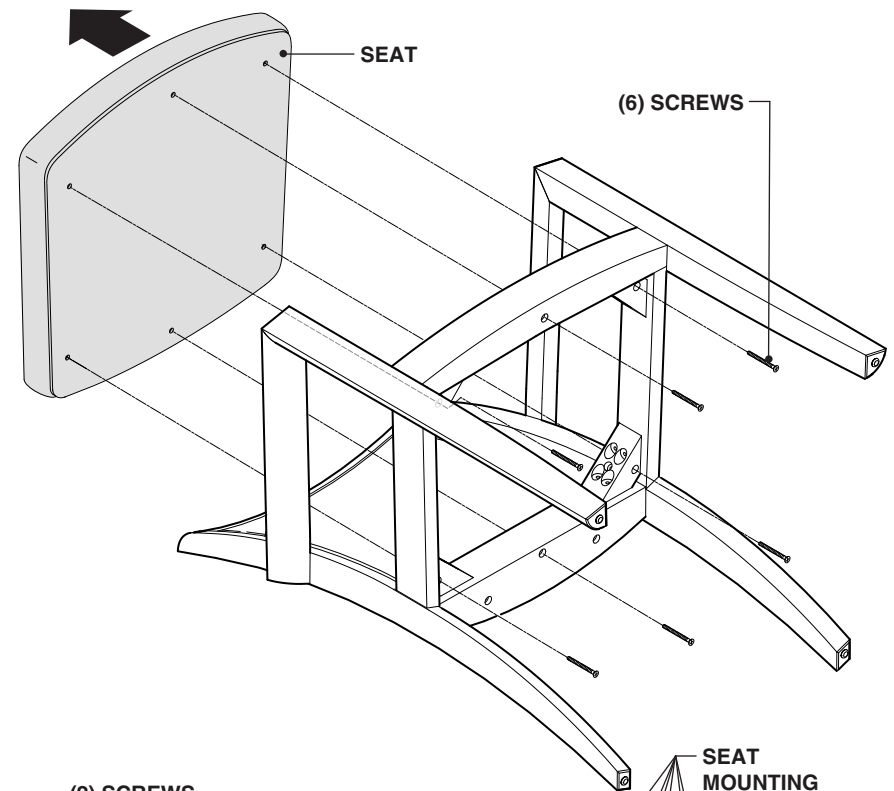
(Outside the U.S.A., Canada, Mexico, Puerto Rico, and the U.S. Virgin Islands, call: 1.616.247.2500)
Or visit our website: www.steelcase.com

© 2016 Steelcase Inc.
Grand Rapids, MI 49501
U.S.A.

Printed in U.S.A.

SEAT REPLACEMENT:

1. Place chair horizontally on a clean scratch resistant surface.
2. Using a Phillips screwdriver, remove and discard six (6) screws securing the seat to the chair frame. Remove seat and discard.
3. Align replacement seat with mounting holes and secure with the six (6) screws provided.



BACK REPLACEMENT:

1. Repeat steps 1 and 2 above and set screws and seat aside.
2. Using a Phillips screwdriver, remove the two (2) screws securing the base of the back to the chair frame.
3. Slide the base of the back out (3a) and disengage the two (2) mounting pins in the top of the back, from the mounting pin holes in the chair frame (3b). Discard back and screws.
4. Reversing steps 3 & 2, install replacement back. Secure back with screws provided. Reverse step 1 to complete installation.

