

Pneumatic Cylinder Removal Tool

1. Extend chair to the highest seating position (fig. 1).

2. Turn chair to an upside down position (fig. 2).

3. Install the pneumatic cylinder removal tool (part number 879100100) on the top part of the lift, as close as possible to the control (fig. 3a and fig 3b). **NOTE:** If the chair is equipped with a telescopic cover, it can be taped to the five star base, so it is out of the way.

4. Apply lifting force to either the lift or to one of the legs at the five star base, with one hand. With the hammer in the other hand, give the removal tool several solid hits, on the flat part (fig. 3c).

If pneumatic cylinder does not separate from control, apply WD-40 where lift is embedded into control. Wait approx. 20 minutes and repeat step 4.

If you have a problem, question, or request, call your local dealer, or Steelcase Line 1 at **888.STEELCASE** (888.783.3522) for immediate action by people who want to help you. (Outside the U.S.A., Canada, Mexico, Puerto Rico, and the U.S. Virgin Islands, call: 1.616.247.2500) Or visit our website: www.steelcase.com

© 2006 Steelcase Inc.
Grand Rapids, MI 49501
U.S.A.

Printed in U.S.A.

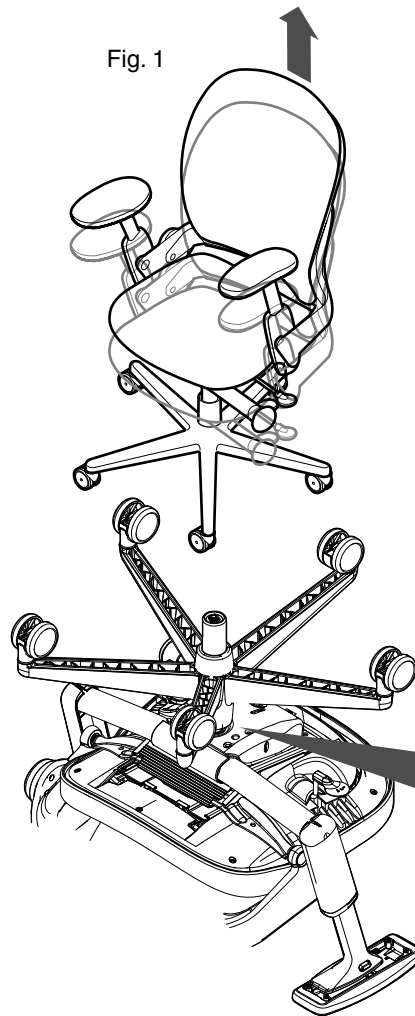


Fig. 1

Fig. 2

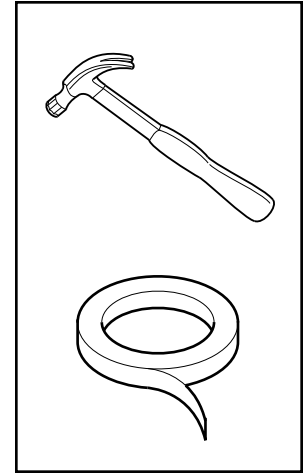
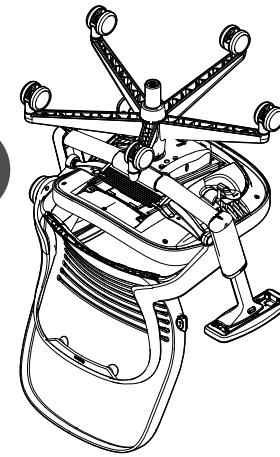


Fig. 3a

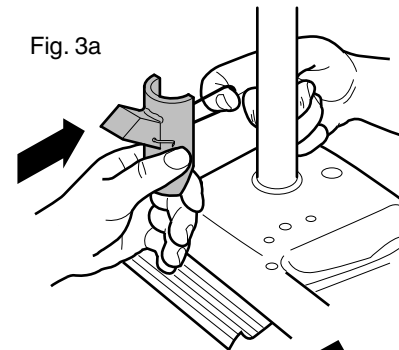


Fig. 3b

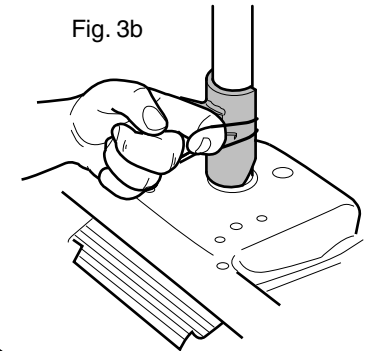
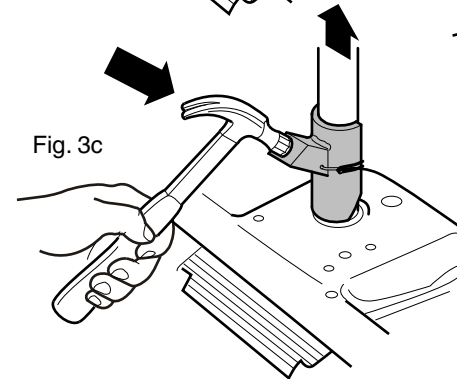


Fig. 3c



NOTE: Removing the cylinder using the cylinder removal tool is a loud process. If removing the cylinder where noise is an issue, a pipe wrench may be substituted in place of the cylinder removal tool.

Reminder: A pipe wrench will render the cylinder inoperable.