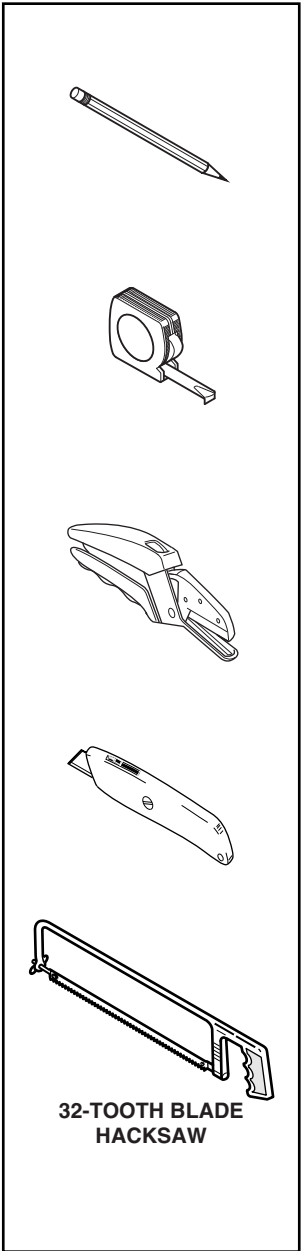
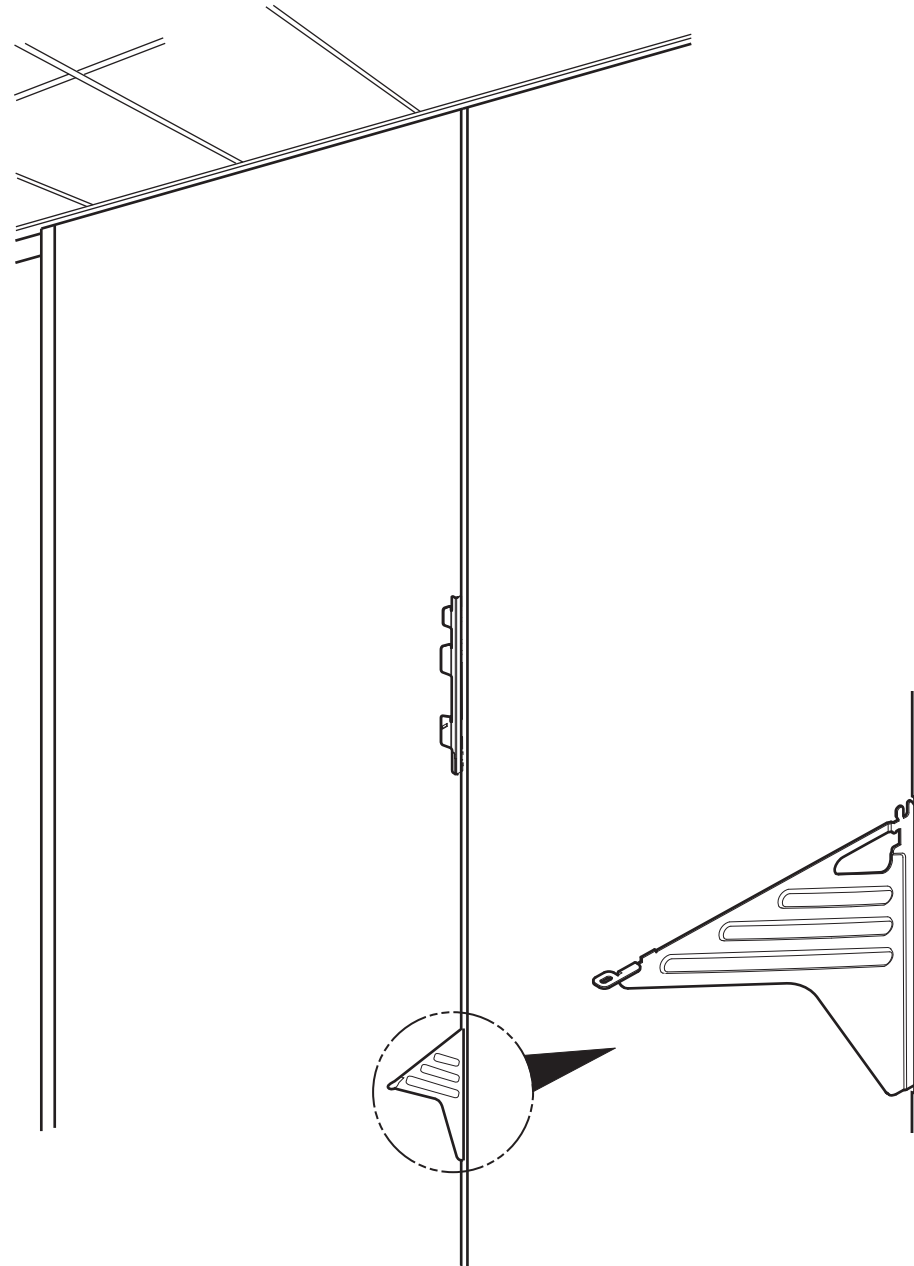


Pathways® Privacy Wall - Modify a Feature Strip for Hang-On Furniture



If you have a problem, question, or request, call your local dealer, or Steelcase Line 1 at **888.STEELCASE** (888.783.3522) for immediate action by people who want to help you. (Outside the U.S.A., Canada, Mexico, Puerto Rico, and the U.S. Virgin Islands, call: 1.616.247.2500) Or visit our website: www.steelcase.com

© 2007 Steelcase Inc.
Grand Rapids, MI 49501
U.S.A.
Printed in U.S.A.

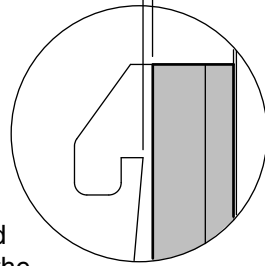
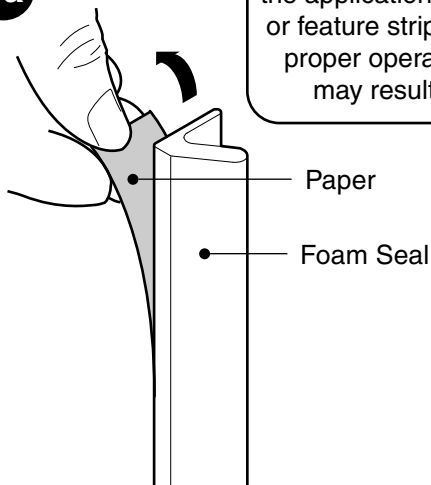
Apply foam seal onto brackets flush to 1/16" from slot on brackets.

1. Remove feature strip from Pathways Privacy Wall (if installed). If optional acoustic seals are to be applied to minimize sound transmission through the wall proceed to cut foam seal to the correct length and peel off the paper on the back (1a). Apply the foam seal to the inside location of the bracket as shown (1b). Install brackets with foam seal as shown per furniture layout (1c). Acoustic seal style number: GPAS

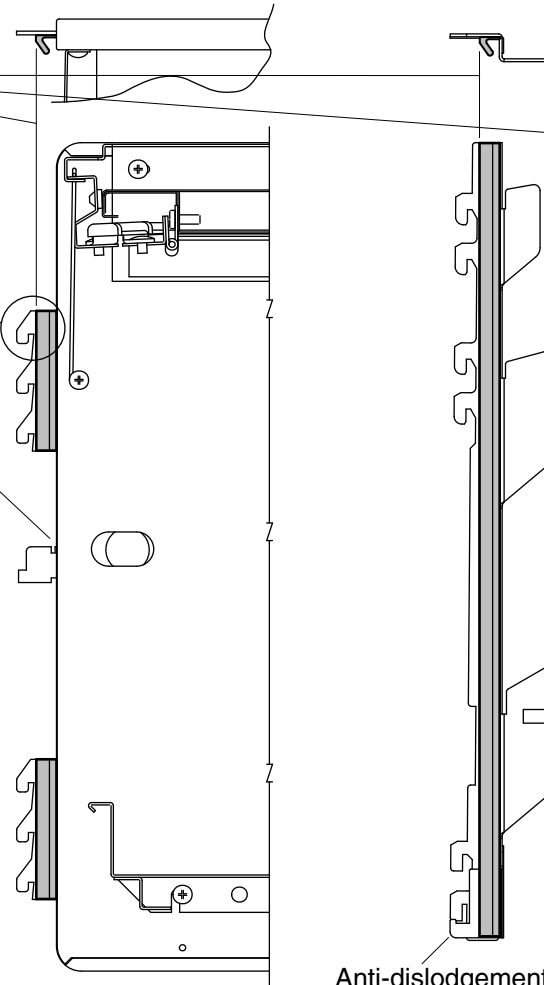
CAUTION!

Passive & active anti-dislodgement features of hang-on components must not be rendered inoperable by the application of either the foam seal or feature strip. Failure to ensure the proper operation of these devices may result in personal injury.

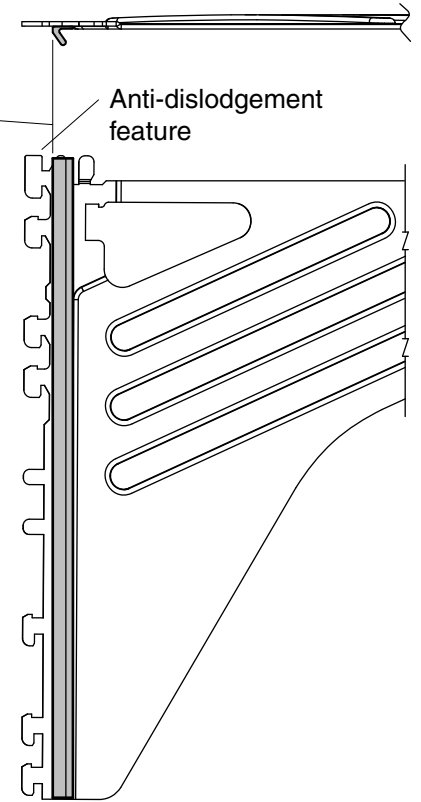
1a



Anti-dislodgement feature

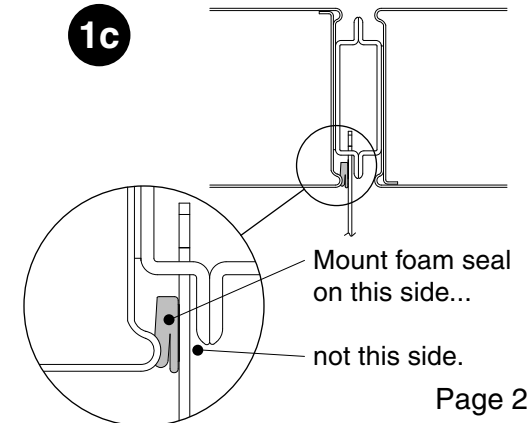
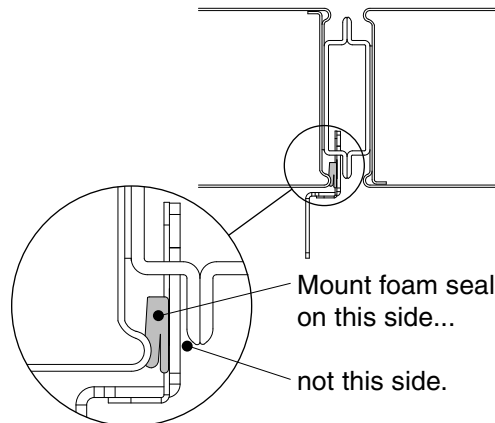


1b



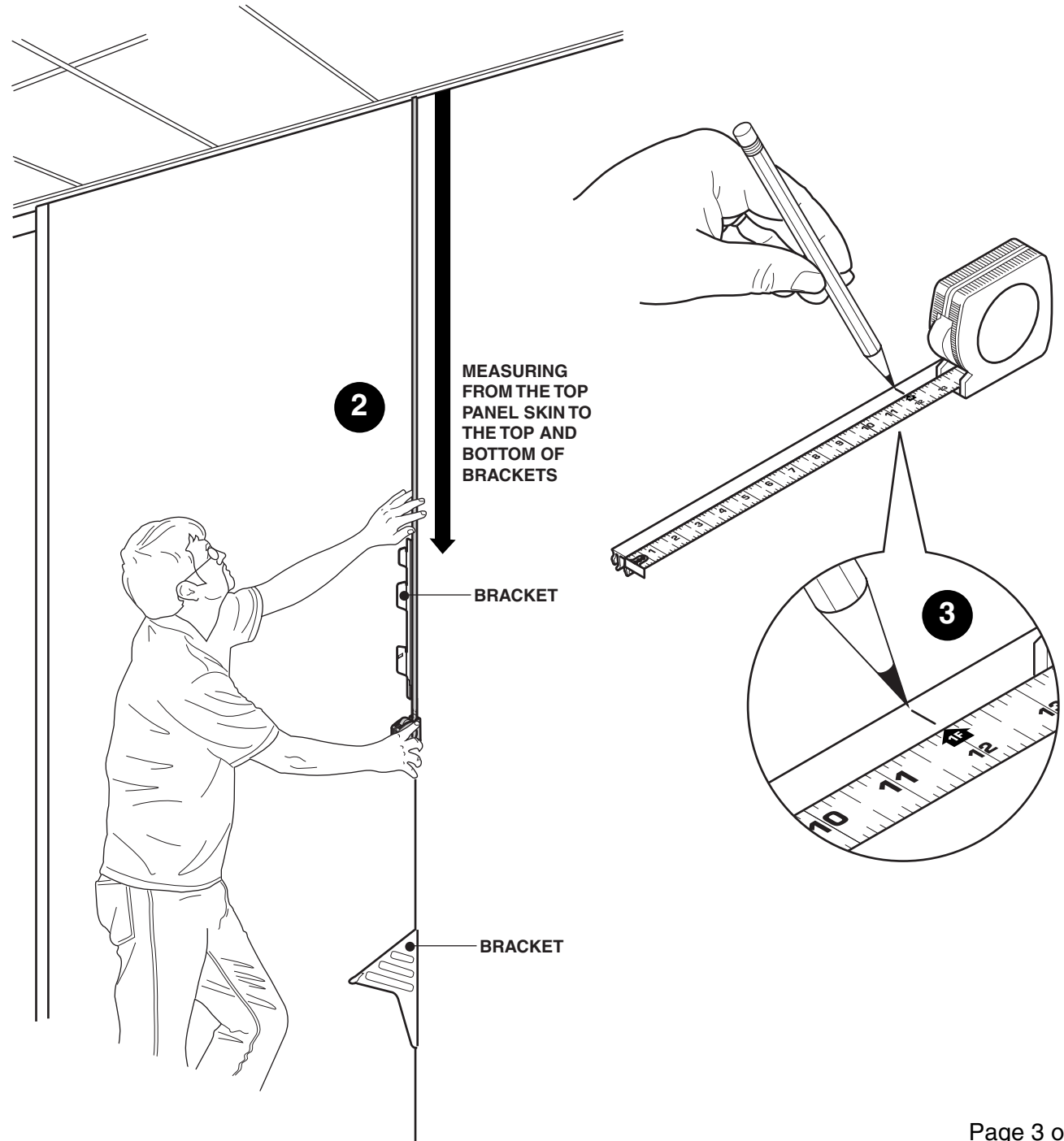
This is an example of three different style brackets. There are other style brackets but the foam seal application is the same for all style brackets.

1c



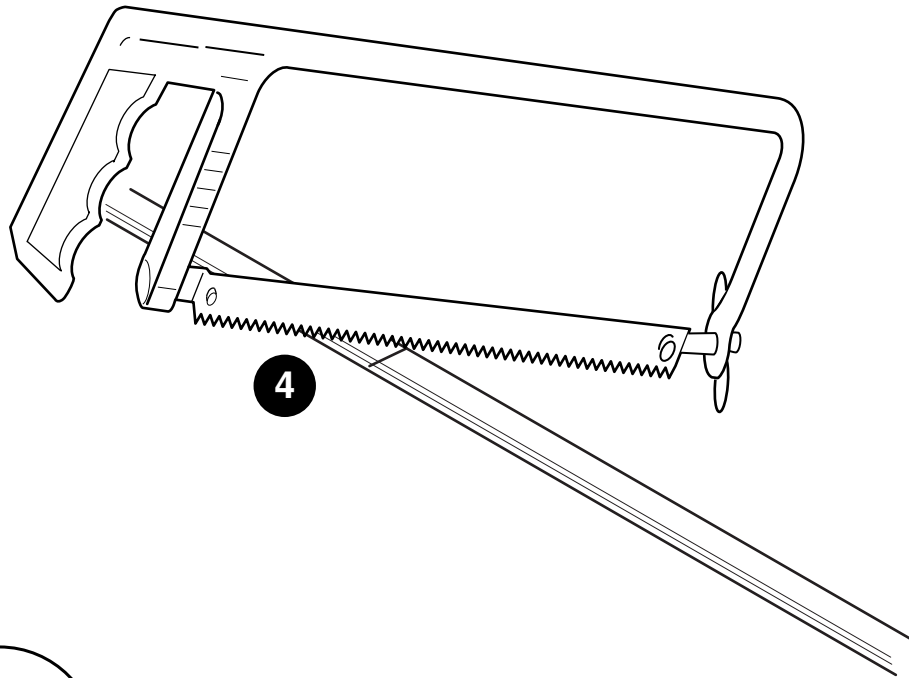
2. Measure bracket locations. This is done from the top of the panel skin to the top and bottom of brackets.

3. Transfer bracket locations to feature strip. Transfer bracket length to furniture reveal strip. Double check measurements.

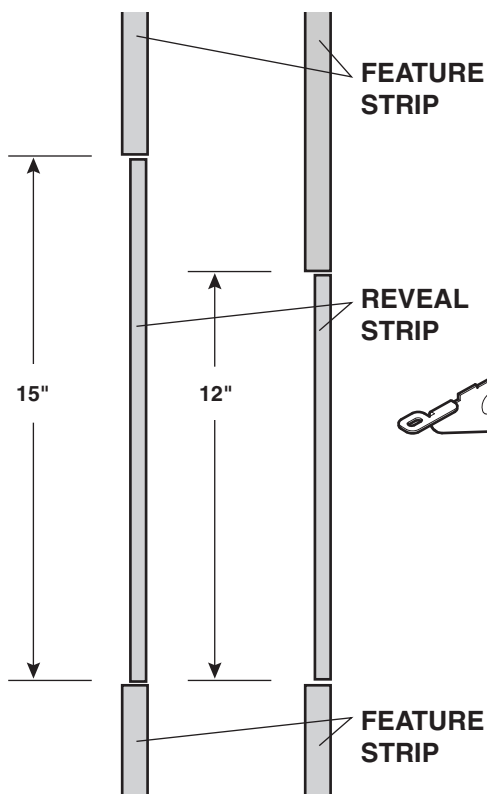


4. Cut the feature strip at the locations marked from the previous step.

5. Install the feature strip and the furniture reveal strip onto the Pathways Privacy Wall.



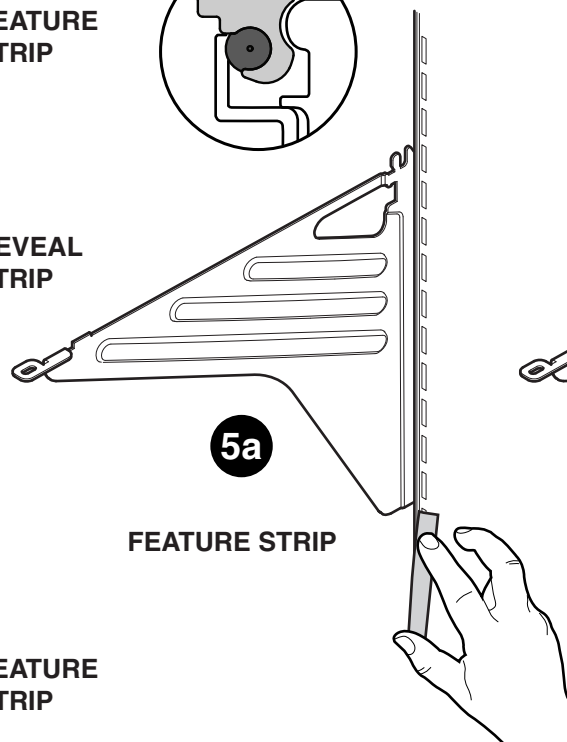
Trim For 15" Bracket Trim For 12" Bracket



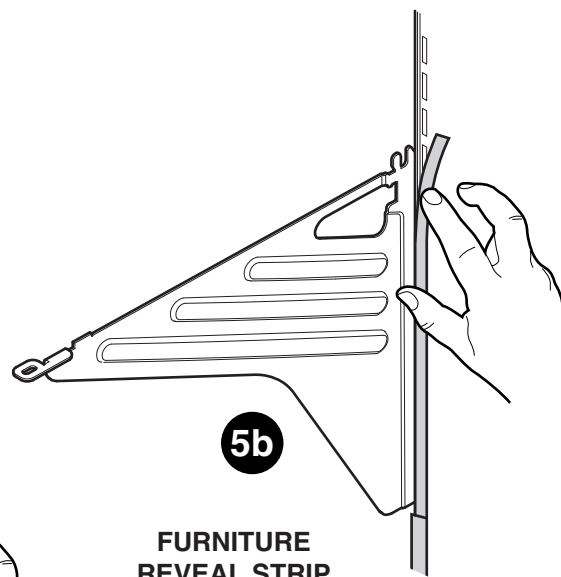
FEATURE STRIP

REVEAL STRIP

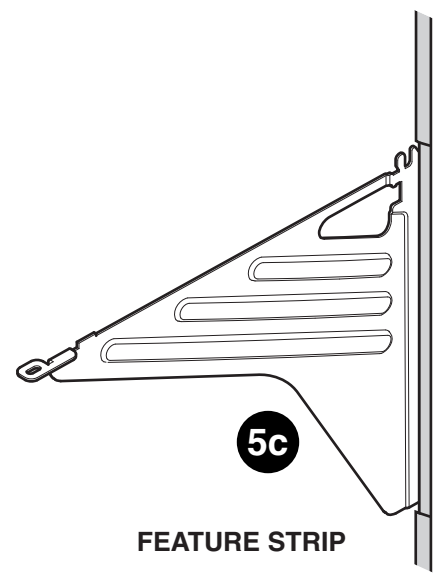
FEATURE STRIP



FEATURE STRIP



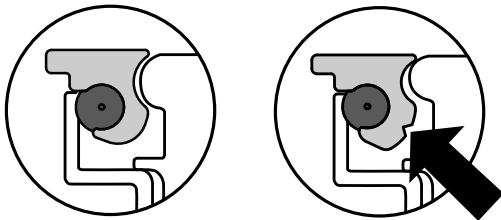
FURNITURE REVEAL STRIP



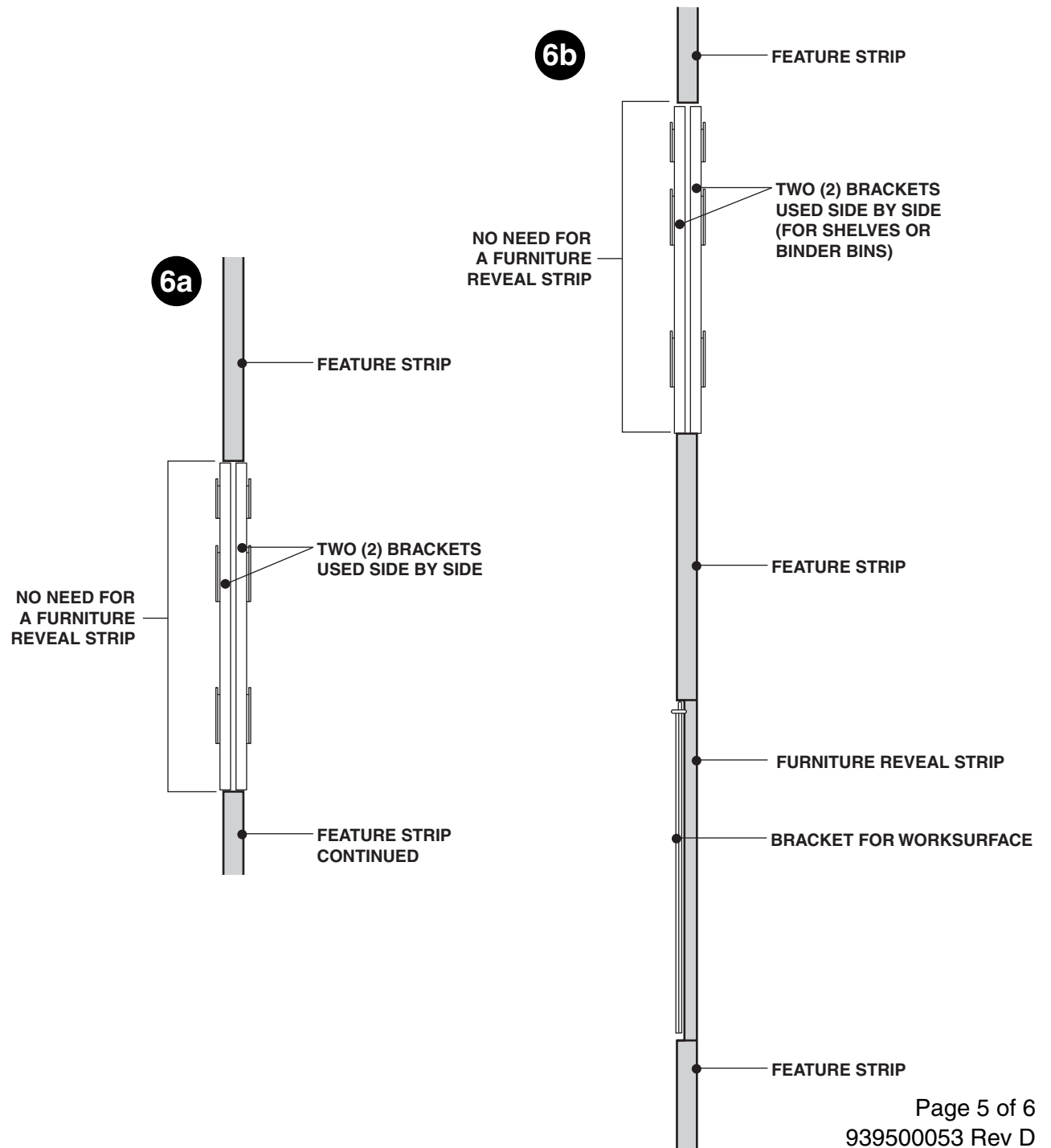
FEATURE STRIP

6. If two (2) brackets are used side-by-side, the feature strip will be cut from top of panel to top of bracket. The feature strip will start again at the bottom of the bracket and end at the bottom of the panel (6a).

Here's an example of a feature strip used with and without a furniture reveal strip (6b).



TIP: Furniture reveal strip can be identified for use on upholstered panels or use on painted panels. The reveal strip with the v-notch is designed for use on the painted panels.



OPTION FOR UPHOLSTERED FEATURE STRIPS

When using upholstered feature strips, steps 7 and 8 can replace steps 4 and 5 where preferred.

7. With a hacksaw, cut the feature strip at the locations marked from previous step (7a). Then, take a utility knife and cut out the opening (7b).

8. Install feature strip onto Pathways Privacy Wall around the bracket.

Trim For 15" Bracket Trim For 12" Bracket

