

**CAUTION****CRUSH HAZARD!**

FAILURE TO PROPERLY SECURE PRODUCT TO BUILDING COULD RESULT IN PERSONAL INJURY.

Read the entire Assembly Directions before beginning installation.

All planning and application guidelines for Privacy Wall, V.I.A., and Lite Scale Glazing are based on the requirement that the ceiling track/channel is securely connected to a ceiling in order to properly support the wall components as shown. This requirement applies to all products regardless of ceiling type (acoustical suspended ceilings, soffit, bulkhead, etc.).

When installing Lite Scale Glazing, it is recommended that all attachment means include blocking above the ceiling regardless of ceiling type. An example of good practice for blocking above most ceiling types would be 3/4" FR plywood. Always consult with local code authorities to ensure blocking materials comply with code requirements (i.e. plenum rated fire protection, etc.).

For acoustical suspended ceilings, the blocking above Lite Scale doors should be the same size as the ceiling tile and should completely fill the grid in both X-Y dimensions. For areas not above doors, the blocking should at a minimum fill the grid in the direction perpendicular to the wall. See diagram on page 4.

If blocking is not used, another means for attachment to the building (for example, a brace to the upper deck) is required.

The building's designated design professional (architect or engineer) must verify that the ceiling is adequate to support the lateral loads imposed by Privacy Wall, V.I.A. and Lite Scale Glazing. Local codes may require independent bracing.



These assembly directions assume proper site measurements have been recorded and consideration of blocking and anchoring for building connection points has been established with General Contractor and Engineer of Building Record.

For seismic applications, the building's Engineer of Record must be consulted to determine if there are seismic requirements.

If you have a problem, question, or request, call your local dealer, or Steelcase Line 1 at **888.STEELCASE** (888.783.3522) for immediate action by people who want to help you.

(Outside the U.S.A., Canada, Mexico, Puerto Rico, and the U.S. Virgin Islands, call: 1.616.247.2500)
Or visit our website: www.steelcase.com

© 2018 Steelcase Inc.
Grand Rapids, MI 49501
U.S.A.

Printed in U.S.A.

Tools

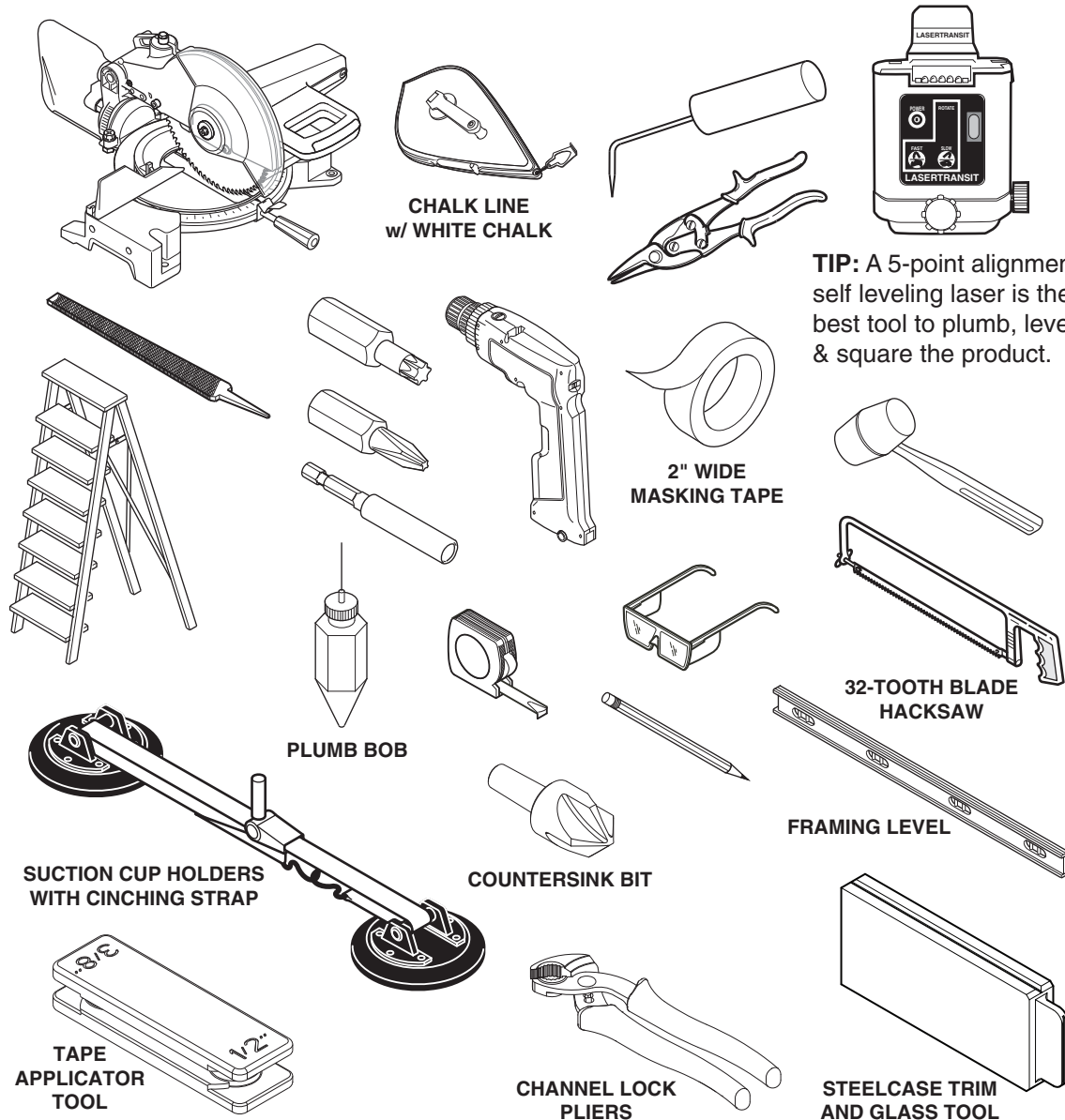


Table of Contents

Topic	Page
General Information:	
Layout Drawings	3-4
Building Points and Visuals	5-6
Cross Selections of LSG Channels, Stops & Transitions	7
Channel and Stop Orientation	8
LSG Doors vs Standard PW/GS Doors	9
Prepping Ceiling, Floor and Wall Channels	10
Prepping Ceiling, Floor and Wall Stops	11
Prepping Transition Channels and Stops	11
Intersection Conditions	12
Installing Light and Sound Seal for Tegular Ceiling Applications	13
Prepping Glass for Installation	14
Installing Glass	15-16
Installing Glass next to Glass	17
Installation Examples:	
LSG Wall with LSG Swing Door	18-39
LSG Wall with LSG Slider Door	40-54

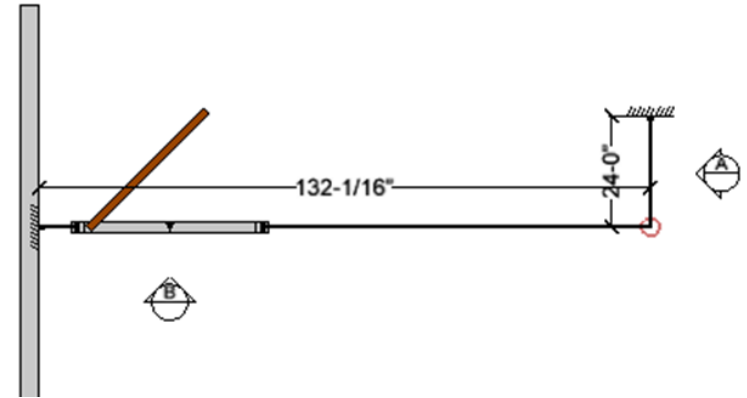
Lite Scale Glazing (LSG) - Privacy Wall/Glass Selections (PW/GS) General Information - Layout Drawings

Layout drawings provide dimensions and details to help installers determine intended location of product. Tags and/or installation reference Identification Label (IRID) will indicate location of product in the plan and elevation views.

Ceiling channels locations are taken from the centerline dimensions on the plan view.

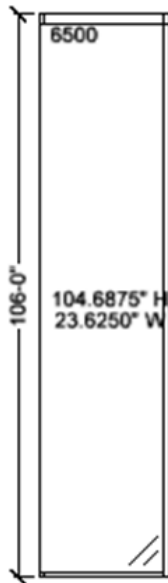
Locations of vertical components are found on the plan views.

Locations of horizontal components are found on the elevation views.

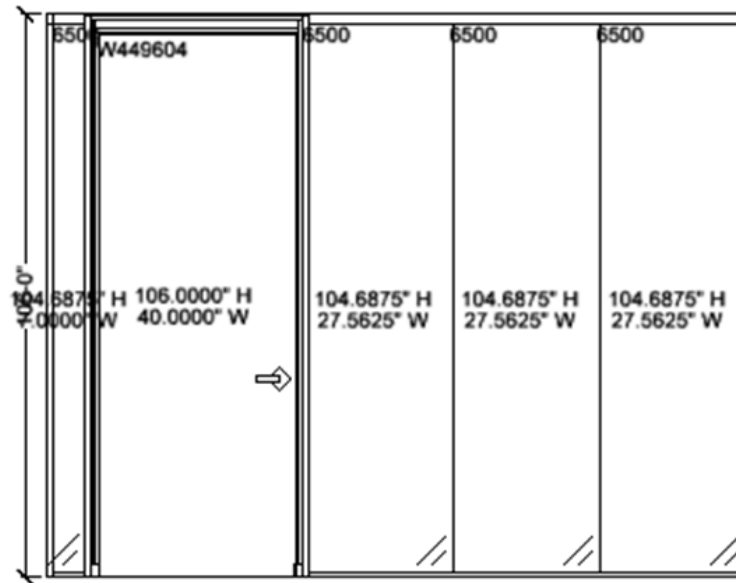


Plan View

Automatic Elevations



Elevation A



Elevation B

**IRID/TAG
SIZE AND
LOCATION
LABEL**

Lite Scale Glazing (LSG) - Privacy Wall/Glass Selections (PW/GS) General Information - Layout Drawings (Continued)

LSG interfaces with Privacy Wall/Glass Selections product. Complete installation of all PW/GS product prior to installing LSG. Refer to specific PW/GS product Assembly Directions.

Transition conditions related to PW/GS and LSG ceiling components are unique and require prep for a proper fit. See page 9 for examples.

Use the centerline dimensions from the layout drawing plan view to determine location of ceiling track centerlines. Several methods can be used to mark lines on the ceiling, including laser transit, pencil marks on tape, chalk lines.

Transfer the ceiling centerline to the floor by means of laser transits or plumb bob. Make sure that the tape or lines are not visible after install is complete.

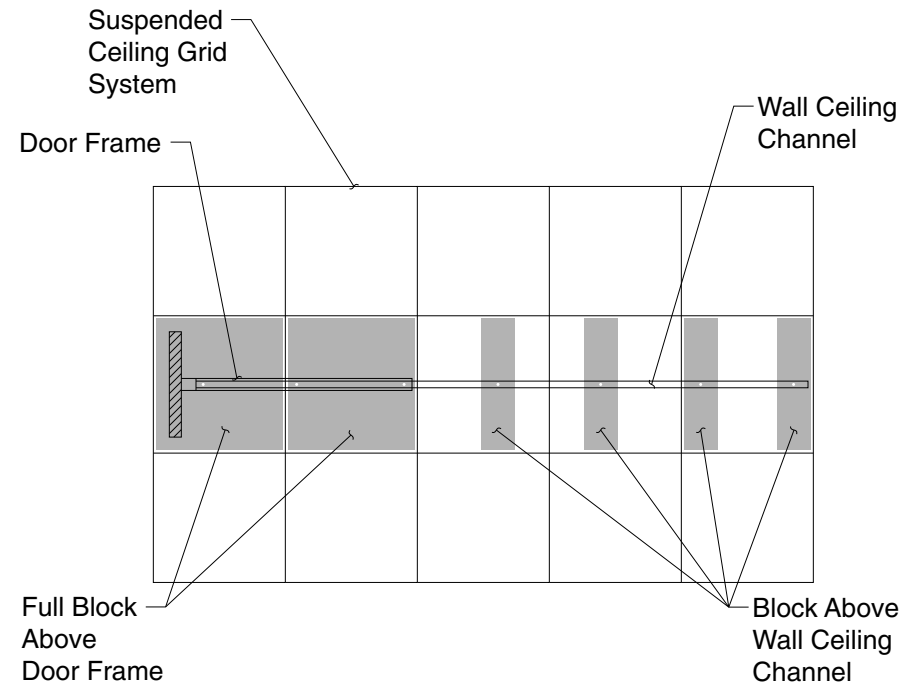
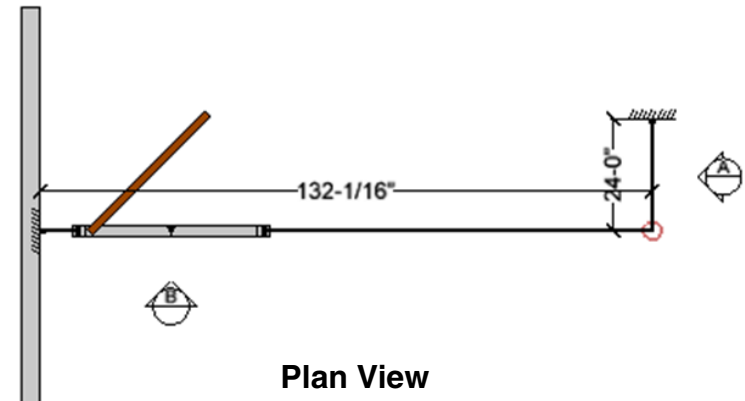
For the best results use a 5-point alignment self leveling laser to transfer lines, plumb, level and square to within 1/16 of an inch.

LSG PW/GS doors are 1" taller than Standard PW/GS doors and are installed under LSG ceiling channels.

Carefully review layout and product to determine sequence of installation. Orientation of doors, positions of stops and other considerations should be understood prior to starting installation.

It is recommended that all the LSG stops be oriented on the same side when possible. See page 8 for examples.

Prior to use, keep all glazing tapes clean and stored away from debris such as dust and metal shavings which can become embedded in the tape and affect its function and appearance.

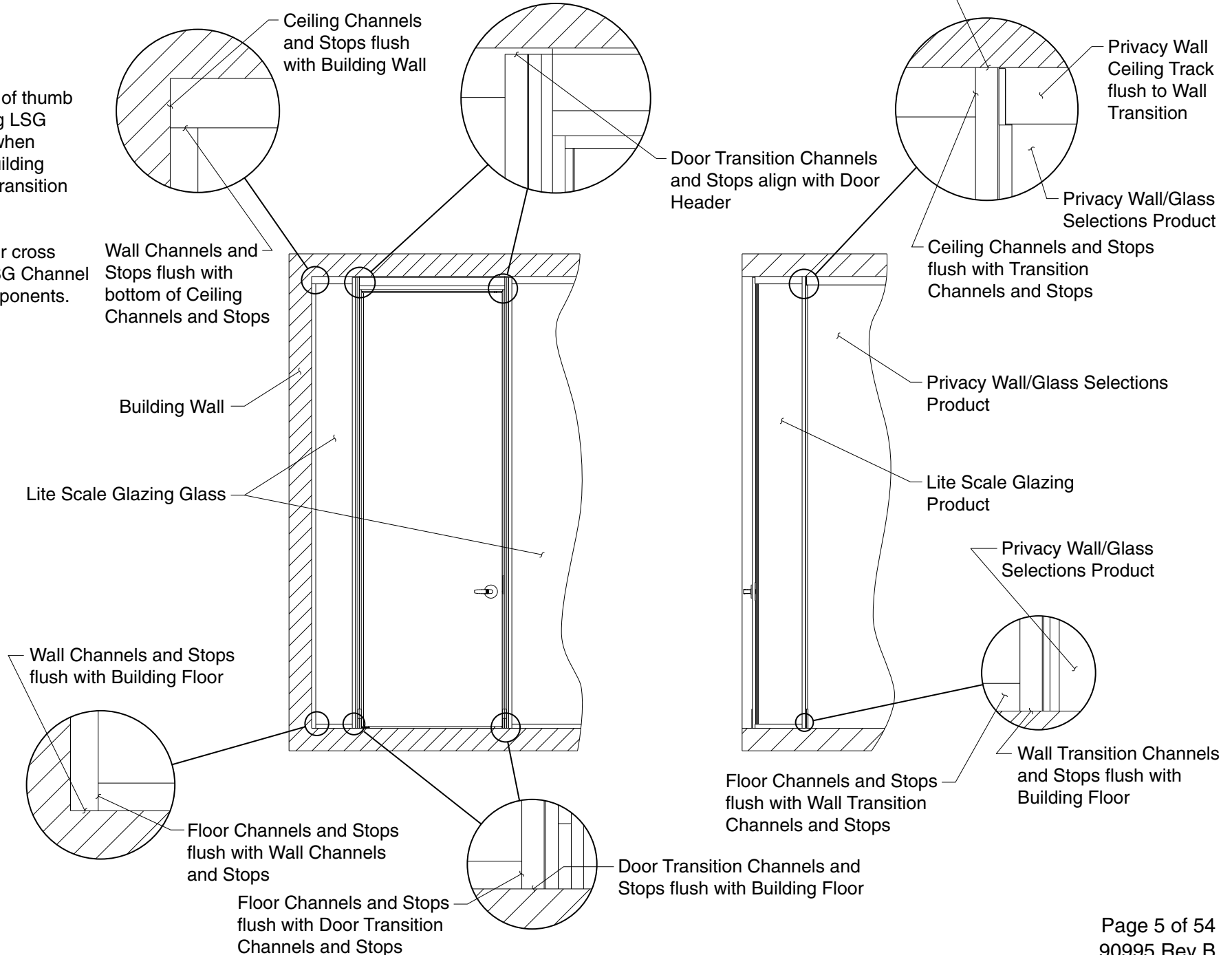


Recommended blocking above a suspended ceiling grid system.

**Lite Scale Glazing (LSG) - Privacy Wall/Glass Selections (PW/GS)
General Information - Building Points and Visuals**

General rules of thumb when planning LSG components when adjacent to building features and transition conditions.

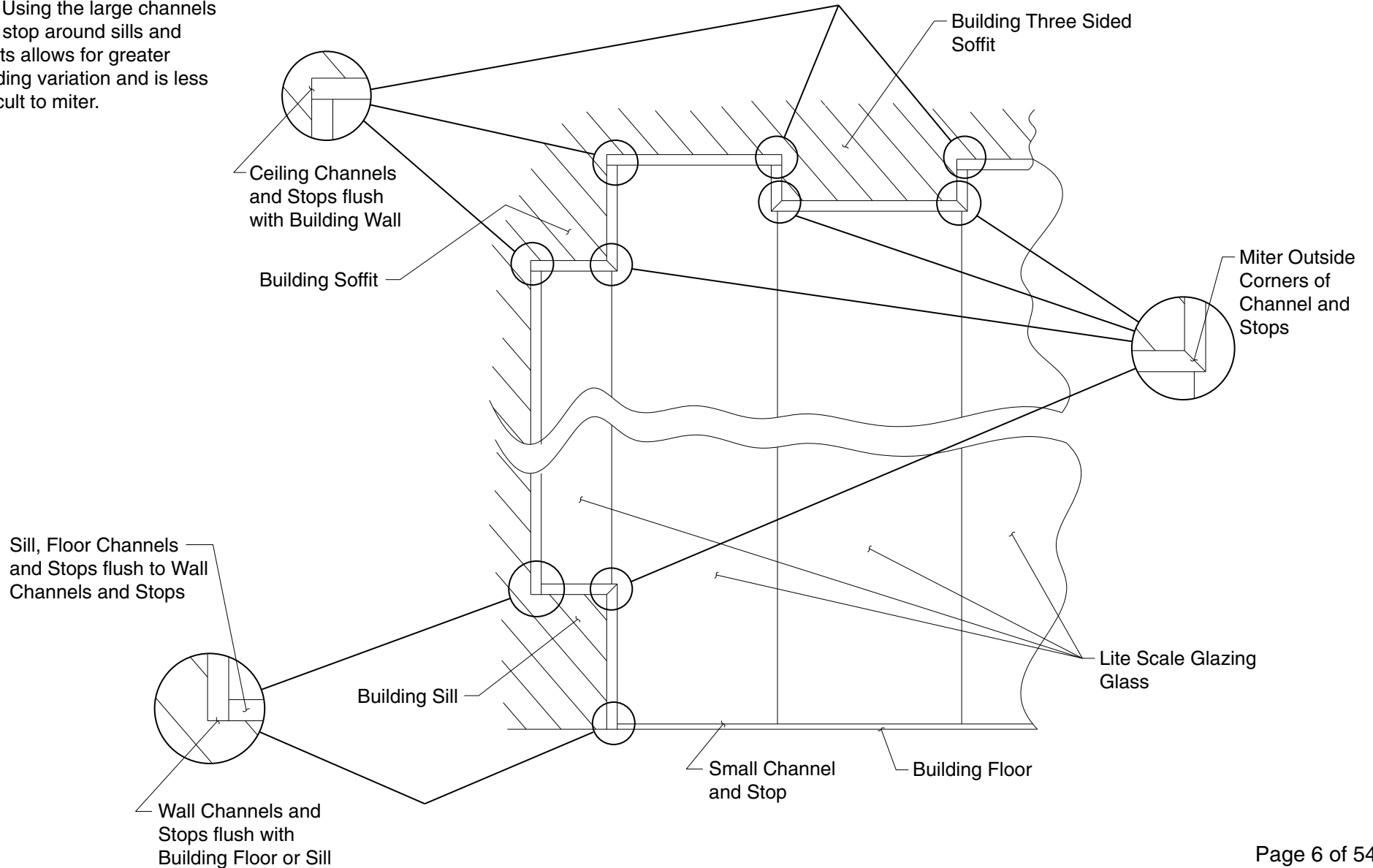
See page 7 for cross sections of LSG Channel and Stop components.



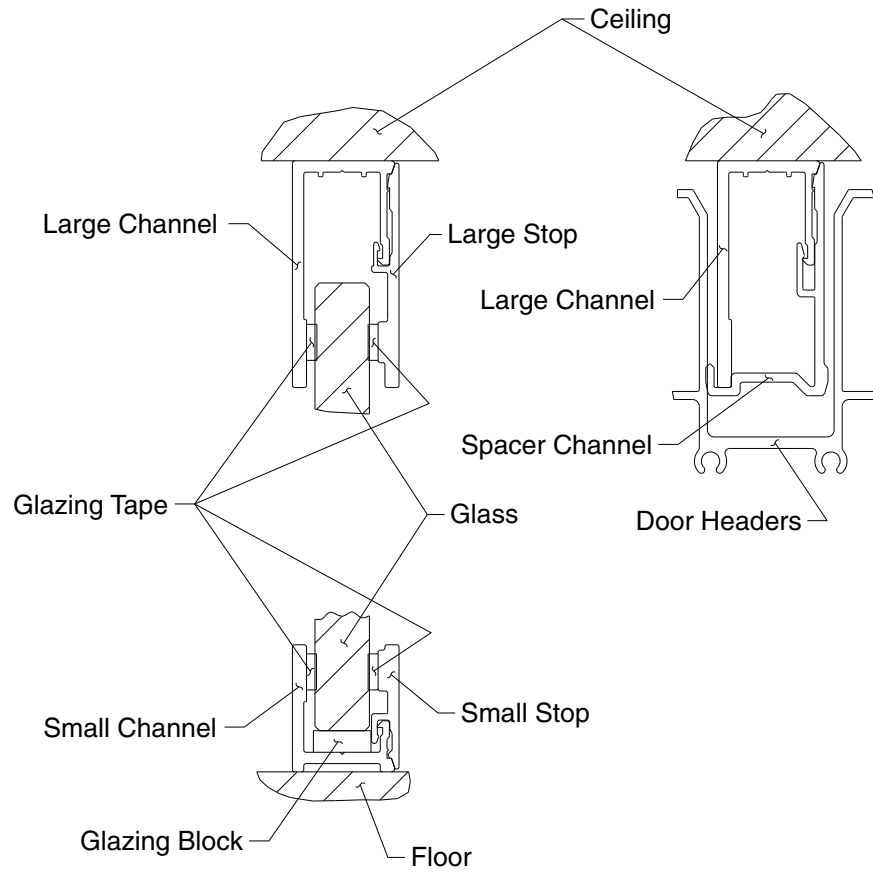
Lite Scale Glazing (LSG) - Privacy Wall/Glass Selections (PW/GS) General Information - Building Points and Visuals (Continued)

Sill and Soffit Details.

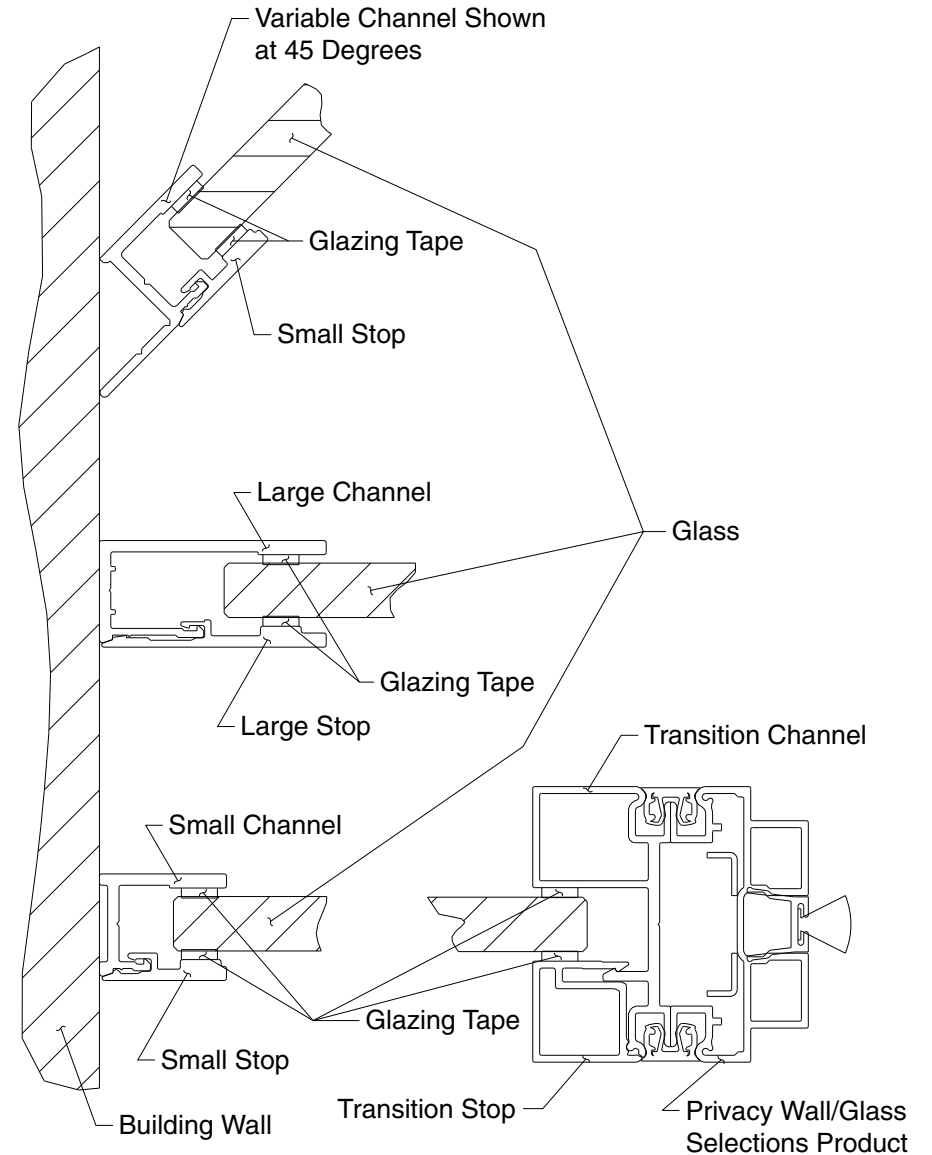
Tip: Using the large channels and stop around sills and soffits allows for greater building variation and is less difficult to miter.



**Lite Scale Glazing (LSG) - Privacy Wall/Glass Selections (PW/GS)
General Information - Cross Sections of LSG Channels, Stops & Transitions**



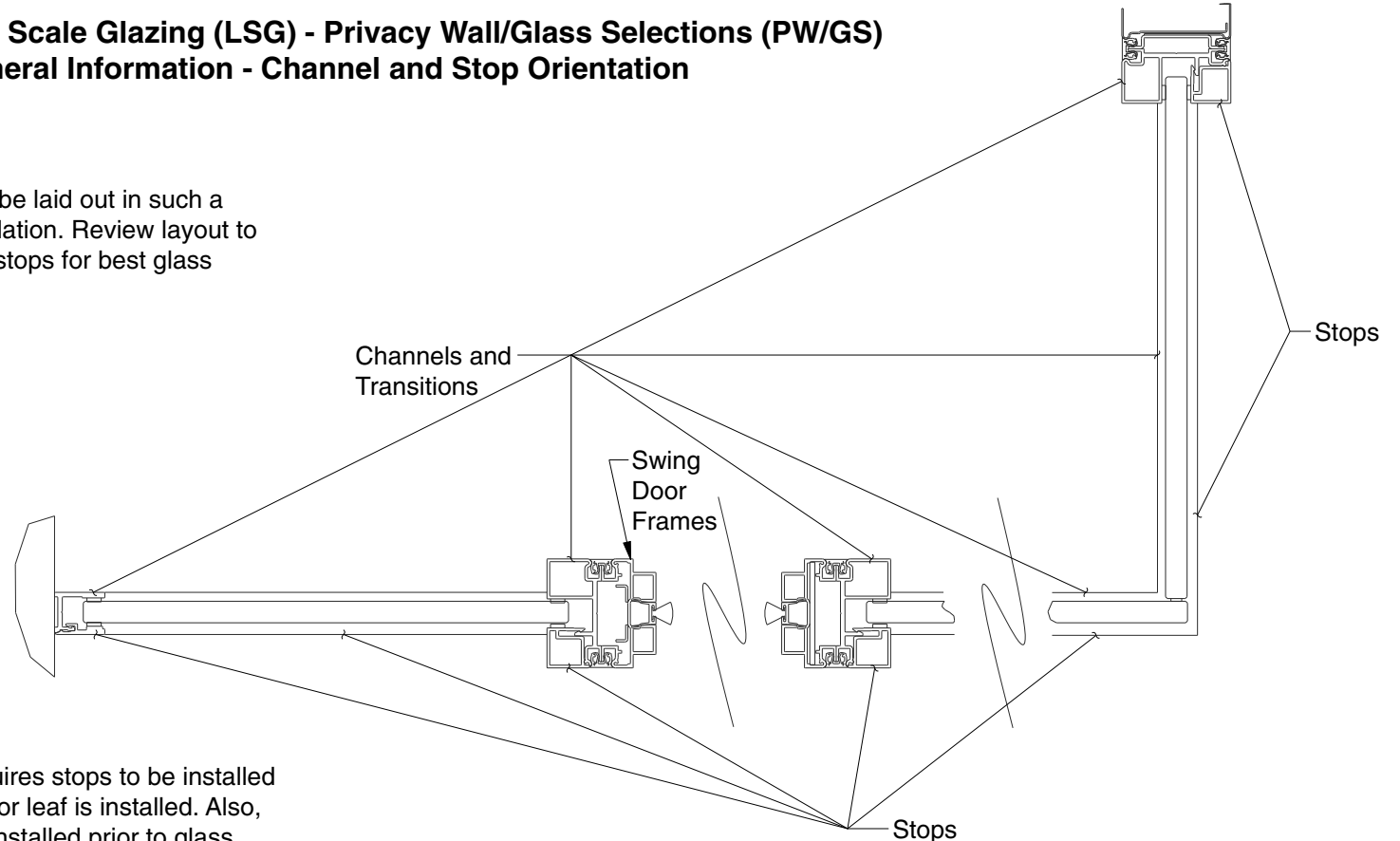
Floor, Ceiling, Channels & Stops



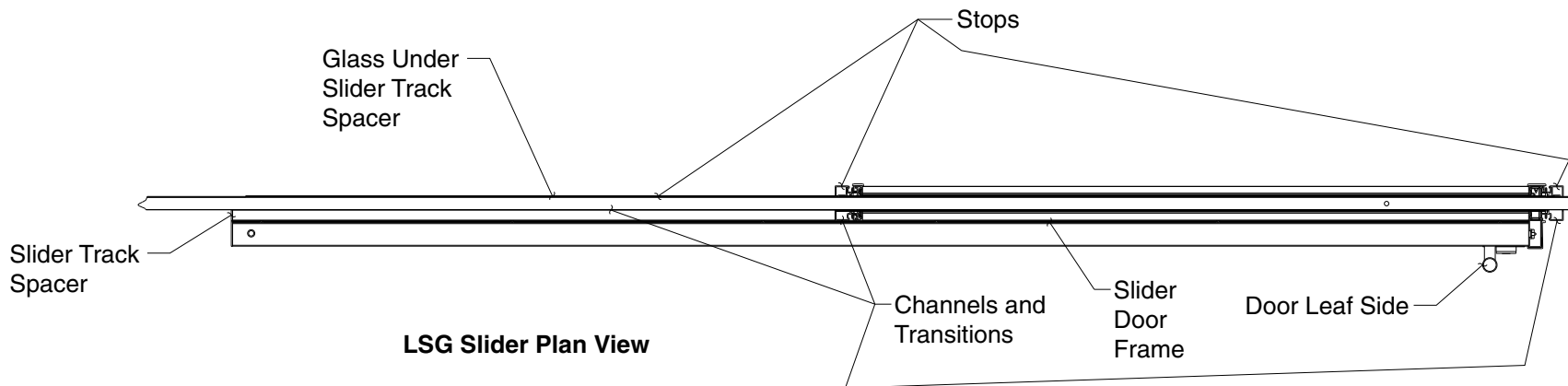
Wall Channels, Transitions & Stops

**Lite Scale Glazing (LSG) - Privacy Wall/Glass Selections (PW/GS)
General Information - Channel and Stop Orientation**

Glass channels and transitions should be laid out in such a manner as to allow easiest glass installation. Review layout to determine how to orient channels and stops for best glass installation. (See Typical Plan View)



Be aware that the LSG slider door requires stops to be installed on the opposite side of wall that the door leaf is installed. Also, the slider track spacer will need to be installed prior to glass under the spacer. (See LSG Slider Plan View)

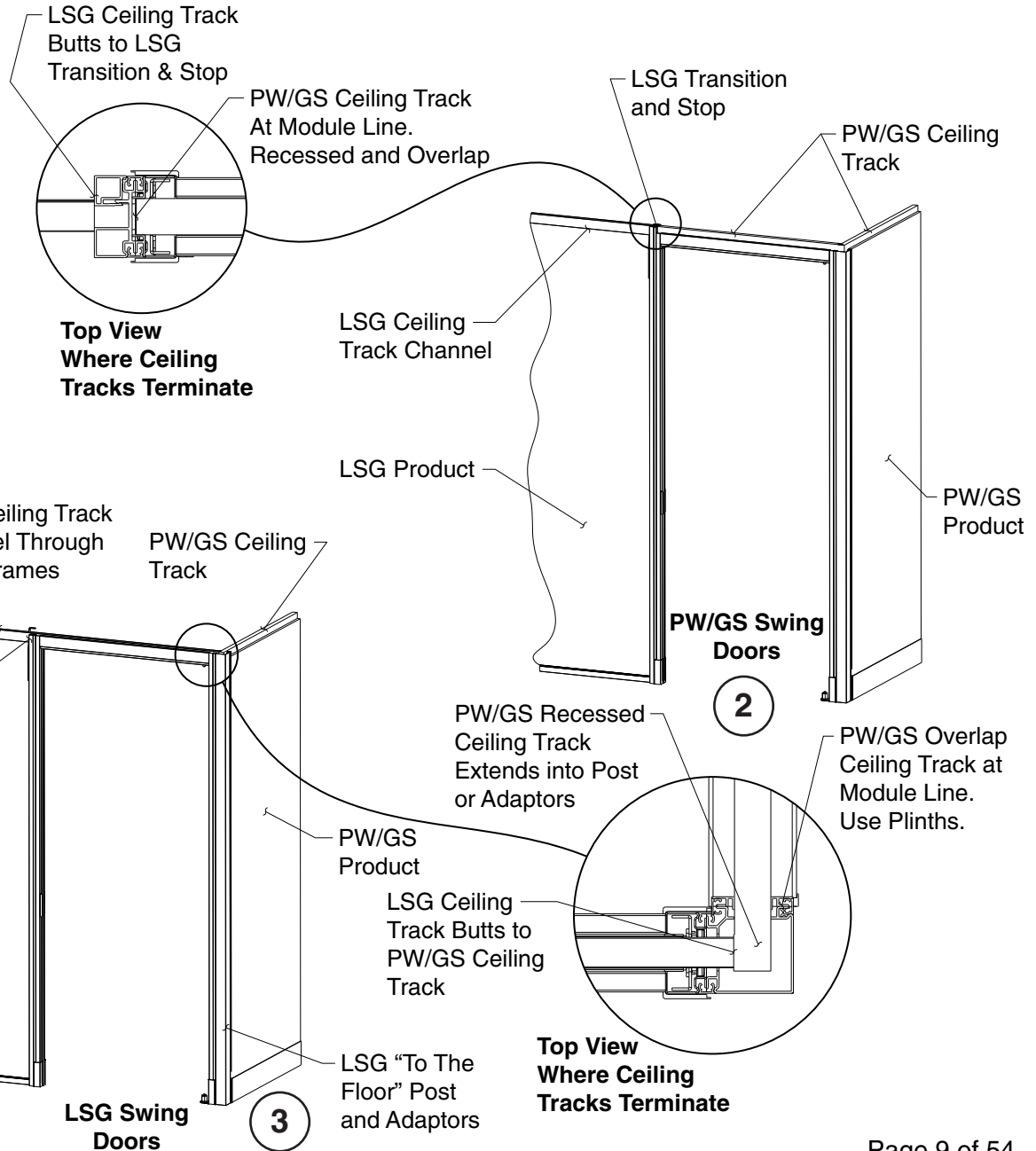


Lite Scale Glazing (LSG) - Privacy Wall/Glass Selections (PW/GS) General Information - LSG PW/GS Doors vs Standard PW/GS Doors

1. LSG doors are design to be 1" taller than Standard PW/GS doors. They are installed under LSG ceiling track Channels.

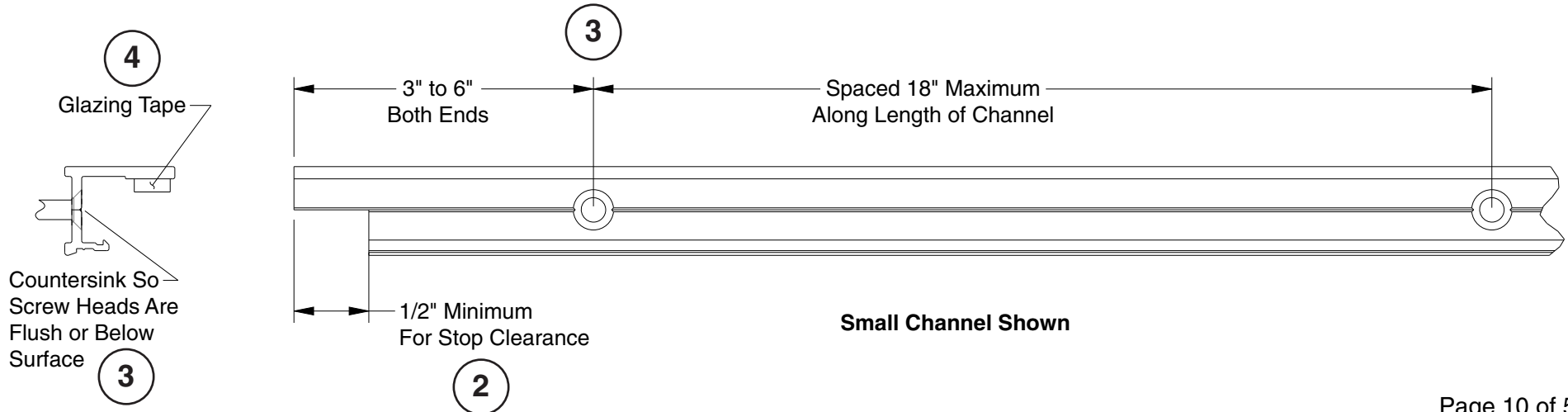
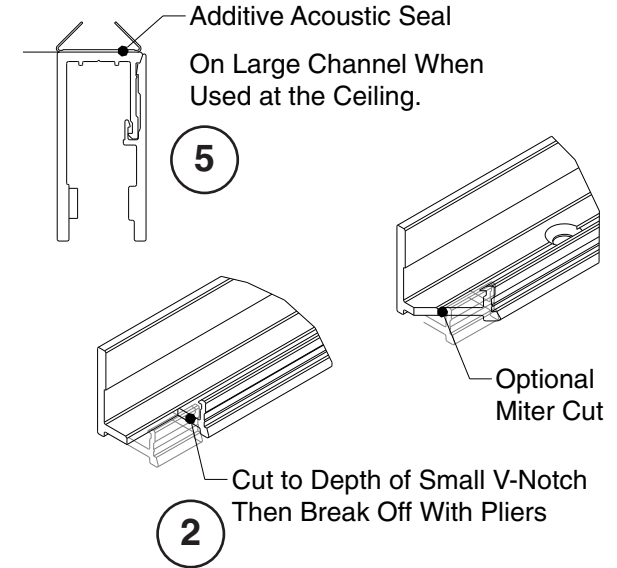
2. Standard PW/GS doors can be installed adjacent to LSG product but will have a transition between the PW/GS ceiling track and LSG ceiling channels. The PW/GS ceiling track will need to be properly cut and installed prior to installing LSG transition.

3. LSG "To the Floor" posts and adaptors can also be used to transition from PW/GS to LSG.



General Preparation for all channels:

- 1.** Cut channels to length. Refer to subsequent conditions described later in these assembly directions to determine length. Use a file to remove any burrs.
- 2.** Notch ends as shown to allow for stop clearance installation. Tip: It is not always required to notch both ends but it will save time by figuring out where it is needed ahead of time.
- 3.** Drill and countersink for mounting screws, spaced as shown. Steelcase recommends using flathead screws with a minimum thread size of #10. Caution: Screw heads should not protrude above mounting surface. Contact with glass while installing could result in glass breakage.
- 4.** Clean the surface of the channel with isopropyl alcohol where the glazing tape will be applied. Apply glazing tape on surface indicated for entire length of part. See page 7 for various channel types.
- 5.** For ceiling channel only - If the additive acoustical seal is required apply it as shown.



Lite Scale Glazing (LSG) - Privacy Wall/Glass Selections (PW/GS) General Information - Prepping Ceiling, Floor and Wall Stops for Install - Prepping Transition Channels and Stops for Install

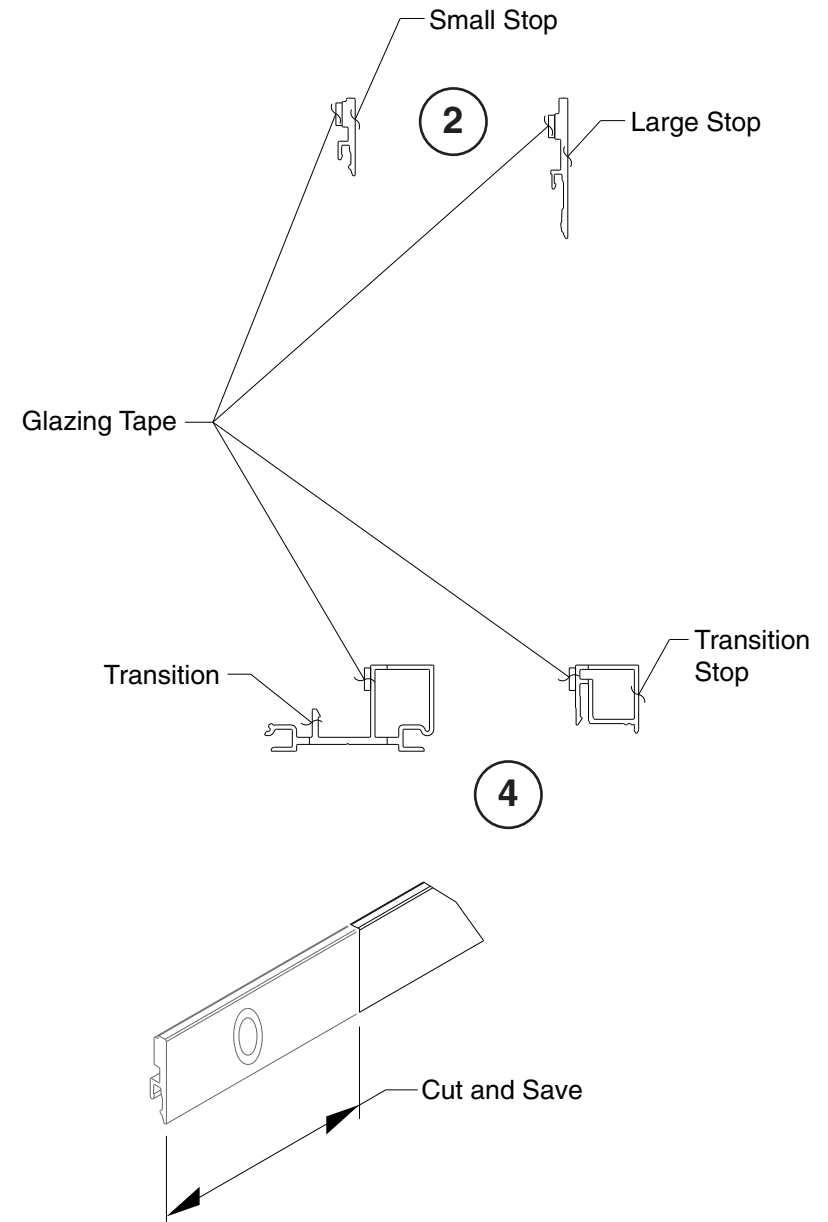
General Preparation for all Stops:

- 1.** Cut stops to length. Refer to subsequent conditions described later in these assembly directions to determine length. Use a file to remove any burrs.
- 2.** Clean the surface of the stop with isopropyl alcohol where the glazing tape will be applied. Apply glazing tape on surfaces indicated for entire length of part.

General Preparation for Transition and Transition Stop:

- 3.** Cut transition and transition stop to length. Notch transition channel and transition stop as required. Refer to subsequent conditions described later in these assembly directions to determine length and if notching is required. Use a file to remove any burrs.
- 4.** Clean the surface of the transition channel and transition stop with isopropyl alcohol where the glazing tape will be applied. Apply glazing tape to surfaces indicated for entire length of parts.

NOTE: Small and large stops with anodize finish may have rack marks on one end. Cut approximately 4" off the end with rack marks. These scrap pieces can be used as temporary stops later in the installation process.



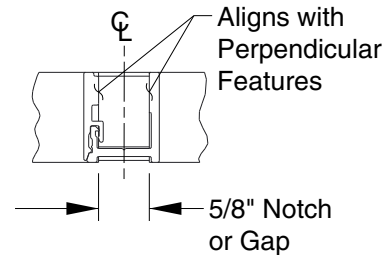
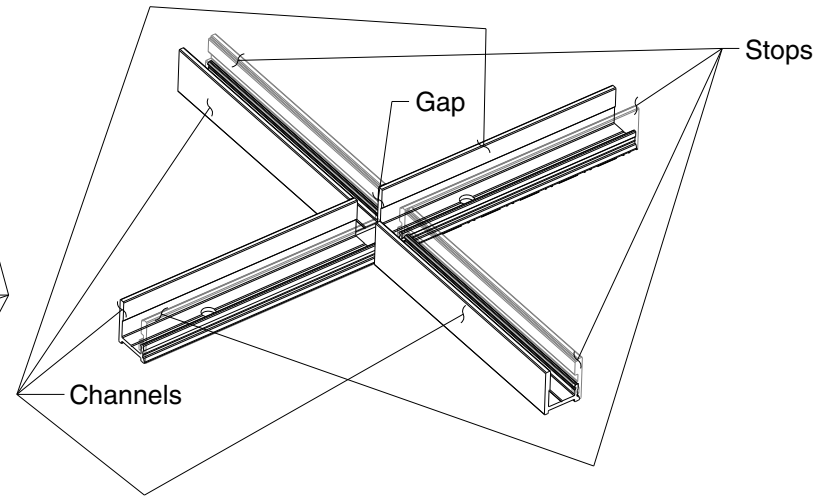
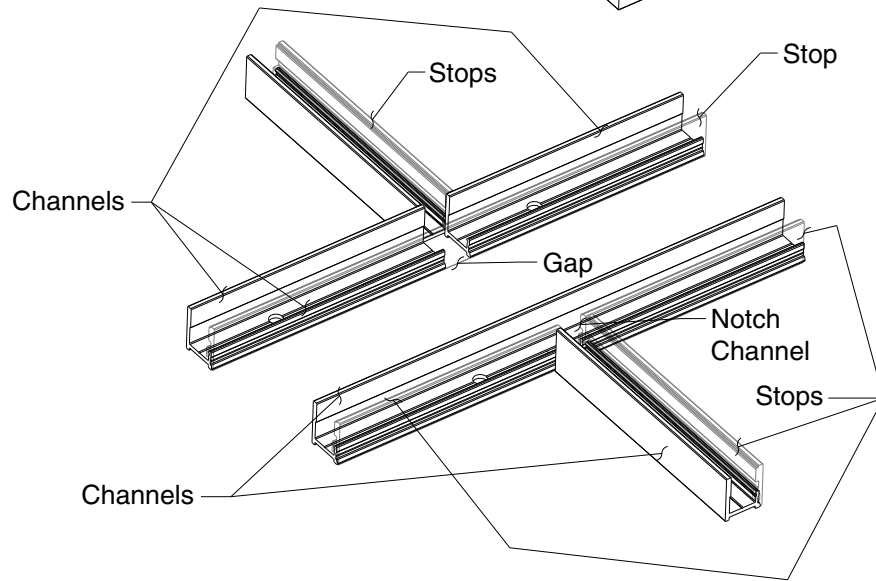
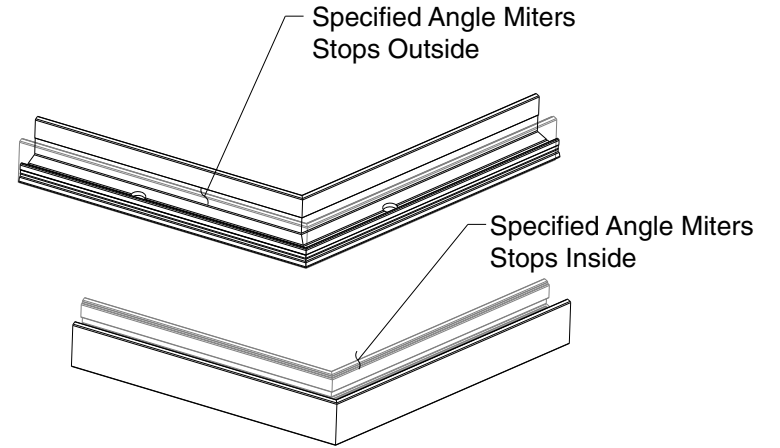
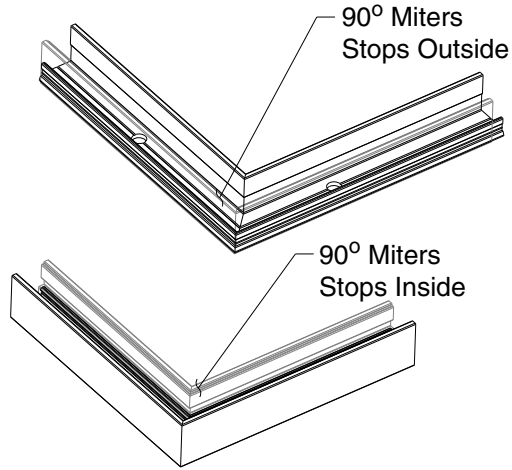
Lite Scale Glazing (LSG) - Privacy Wall/Glass Selections (PW/GS) General Information - Intersection Conditions

Small channels and stops, at floor, shown.

Large channels and stops, at ceiling, follow the same method.

L's and specified angles are miter cut.

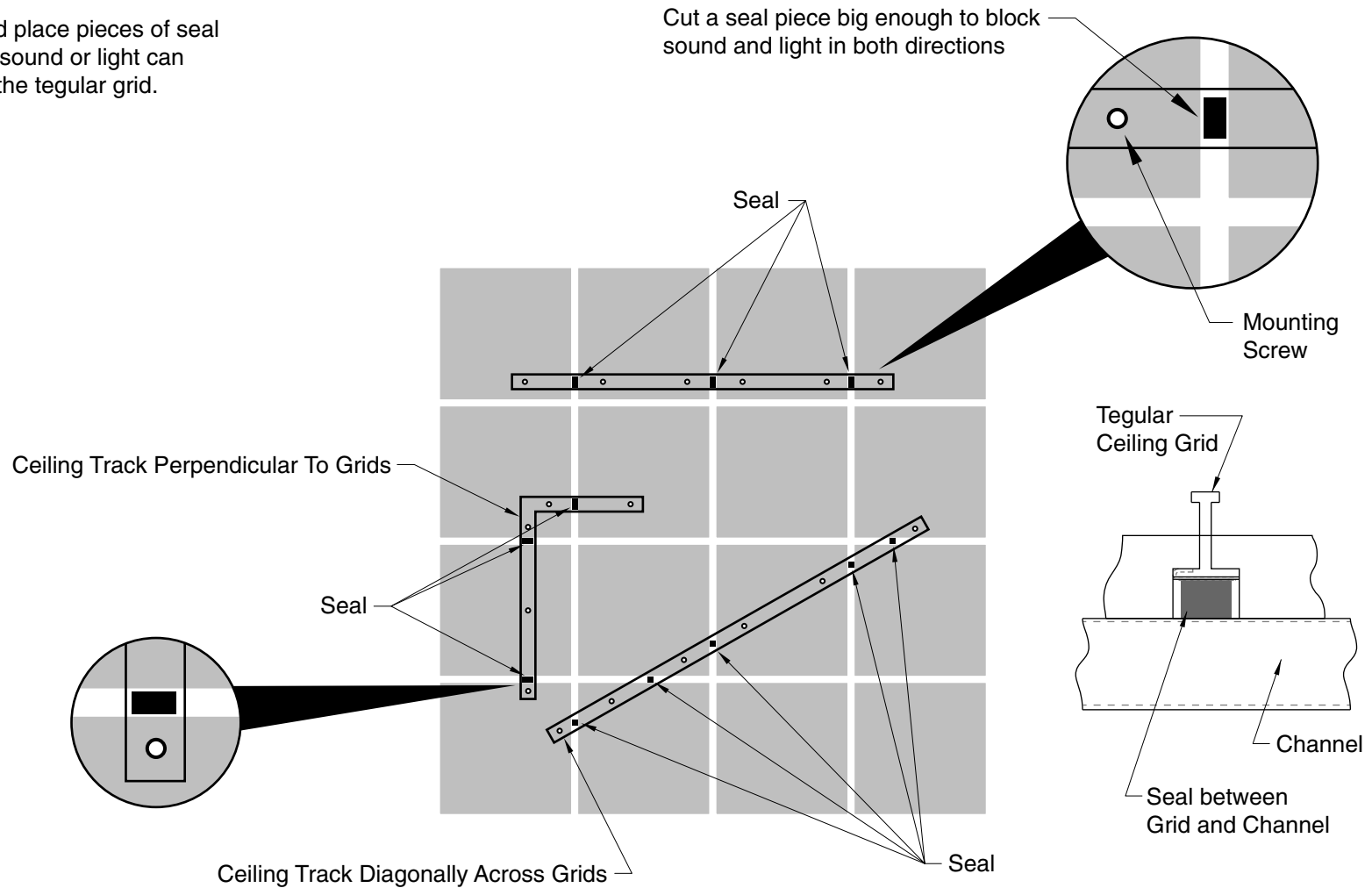
T's and X's can use straight cuts at intersections.



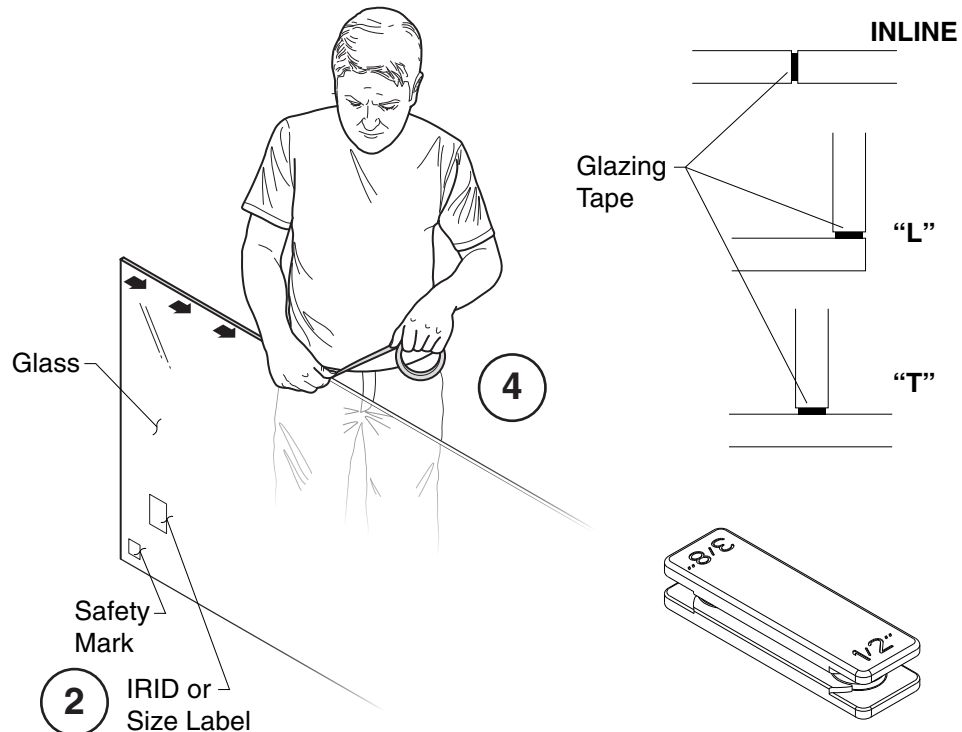
Lite Scale Glazing (LSG) - Privacy Wall/Glass Selections (PW/GS) General Information - Installing Sound & Light Seal for Tegular Ceiling Applications

LSG Ceiling Channel is **NOT** installed inline with grid.

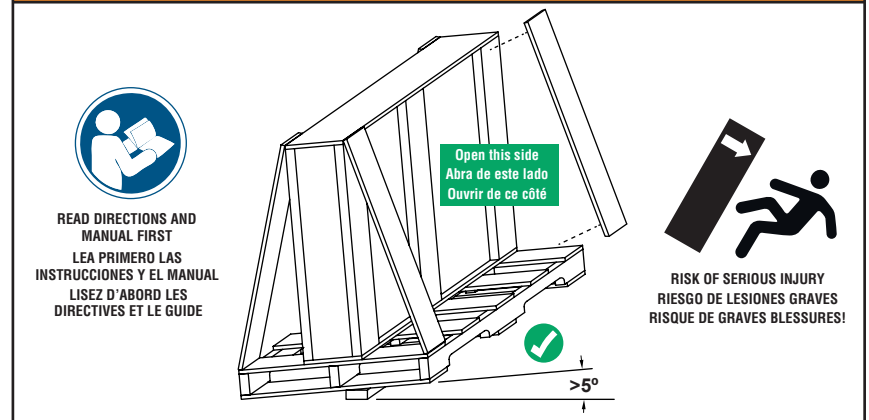
NOTE: Cut and place pieces of seal anywhere that sound or light can travel through the tegular grid.



1. Read Warning (leftmost on this page) prior to uncrating glass.
2. Verify which glass (by layout, IRID, or size label) is to be installed in location desired. Take note of finish side options and safety label location to understand which edges may need glazing tape applied.
3. If glass requires glazing tape, clean the surface/edge of glass where glazing tape will be applied with isopropyl alcohol.
4. Apply glazing tape the entire length of glass. We recommend using the Steelcase glazing tape application tool.
5. Repeat steps 2 through 3 for adjacent glass where glazing tape will contact when glass is installed.



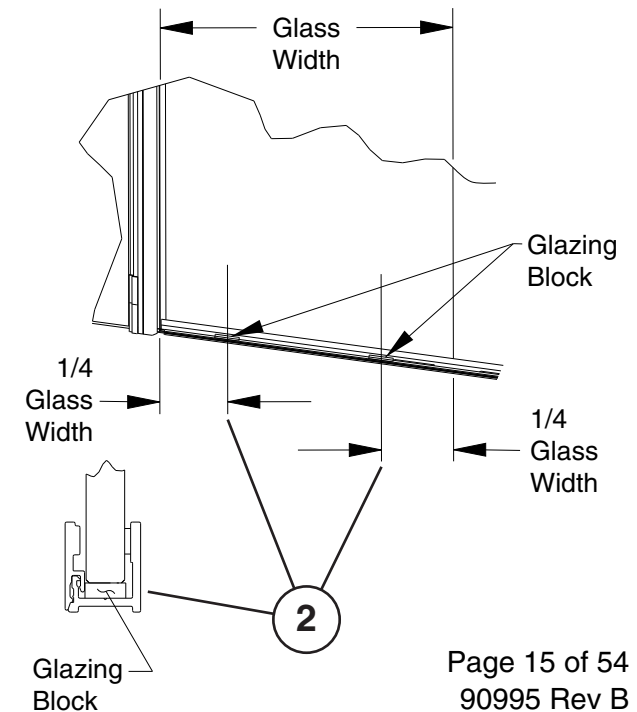
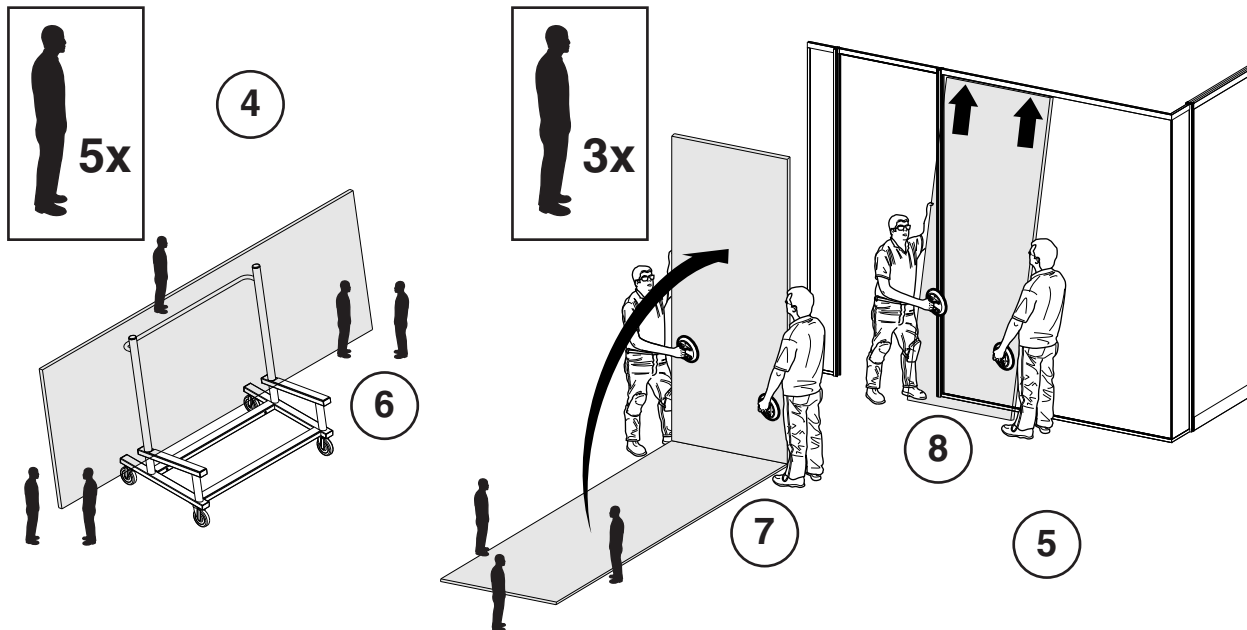
⚠️ WARNING ⚠️ ADVERTENCIA ⚠️ AVERTISSEMENT



Safety Instructions Instrucciones de Seguridad Consignes de Sécurité

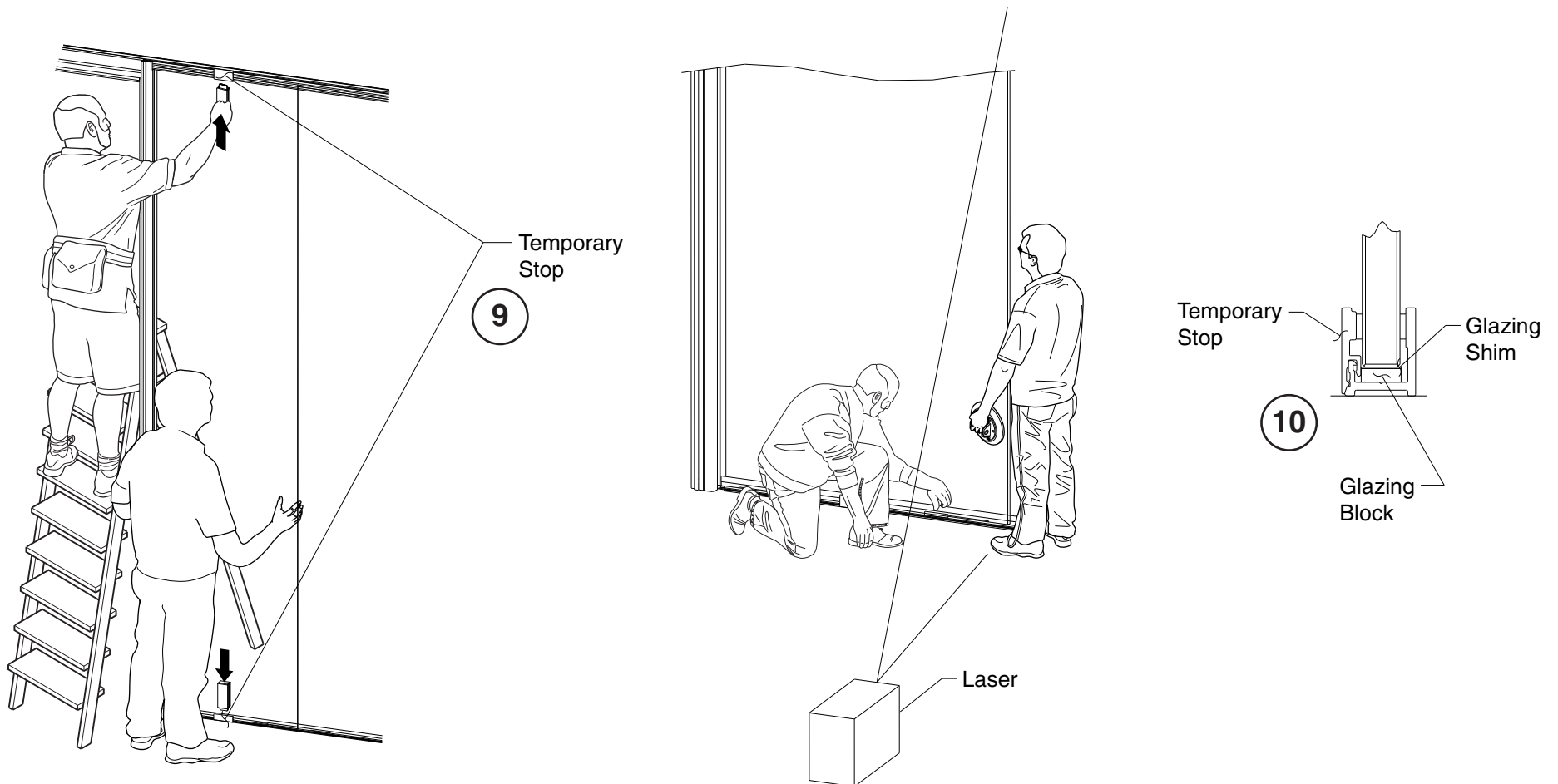
- Before opening, ensure crate is stable and tilted at least 5 degrees to prevent glass from falling out.
 - To open, cut any bands first and pry off boards on front of crate.
 - Before removing glass, check crate and remove protruding nails or screws that could scratch glass.
 - Wear appropriate personal protective equipment (safety glasses, gloves, safety shoes and skin protection).
 - Tempered Glass is very heavy and can shatter while handling. Use two or more people to handle glass.
 - Handle carefully. A scratched surface, damaged surface, or edge impact can cause the glass to shatter suddenly into sharp pieces.
- Antes de abrir, asegúrese de que la caja esté estable e inclinada al menos por 5 grados para evitar que el vidrio se salga de la caja.
 - Para abrir, corte primero las bandas de embalaje y luego separe las tablas del frente de la caja.
 - Antes de retirar el vidrio, chequee la caja y quite los clavos o tornillos salientes que puedan rayar el vidrio.
 - Use el equipo apropiado de protección personal (gafas de seguridad, guantes, zapatos de seguridad y protección para la piel).
 - El vidrio templado es muy pesado y se puede romper durante su manipulación. Use dos o más personas para manipular el vidrio.
 - Manéjelo con cuidado. Una superficie rayada o dañada, o el impacto sobre el borde pueden causar que el vidrio se rompa de repente en trozos afilados.
- Avant d'ouvrir, assurez-vous que la caisse à claire-voie est stable et inclinée d'au moins 5 degrés pour éviter que la vitre bascule hors de la caisse.
 - Pour ouvrir, coupez d'abord les bandes d'emballage, puis écarter les bords sur le devant de la caisse.
 - Avant de retirer la vitre, vérifiez la caisse et enlevez les clous ou les vis qui pourraient dépasser et qui pourraient égratigner la vitre.
 - Portez de l'équipement de protection individuelle approprié (lunettes de sécurité, gants, chaussures de sécurité et vêtements de protection).
 - Le verre trempé est très lourd et peut se briser en éclats lorsqu'on le manipule. Au moins deux personnes sont nécessaires pour manipuler la vitre.
 - Manipulez avec soin. Une surface égratignée ou endommagée ou encore un choc sur le rebord peut faire en sorte que le verre se brise soudainement en éclats tranchants.

1. Refer to page 14 for prepping glass for installation.
 2. Where glass will be installed, insert 2 glazing blocks into the floor channel approximately $\frac{1}{4}$ the width of the glass from each edge of glass. (Steelcase does not supply glazing block and shims.) Recommended size for glazing block $\frac{1}{8}$ " thick x $\frac{1}{2}$ " wide X 4" long. Shims $\frac{1}{32}$ " x $\frac{1}{2}$ " x 4" long.
 3. From scrap stock of large and small stops, cut 4" sections and apply glazing tape as shown (see page 11). Keep these temporary stops close by for step 9 on page 16.
 4. Make sure all installers understand safety warning on page 14.
 5. Make sure floor is clean of debris around glass install site. Also make sure installers understand glass orientation before installing.
 6. With sufficient amount of help lift glass from panel cart and set bottom end of floor close to LSG frame.
 7. Lift top of glass to vertical position. Installer(s) on bottom end will insure glass doesn't slide while installers on top end are lifting.
 8. Lift top of glass into ceiling channel and set bottom of glass on glazing blocks. Be careful not to set the edge of the glass on channel.
- CAUTION:** Glass is not contained until temporary stops are in place. See Step 9 on page 16.

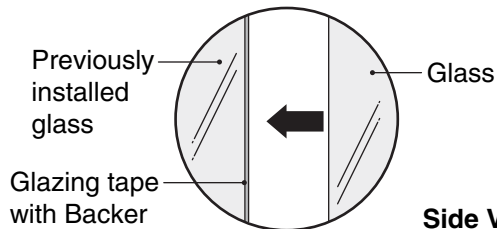
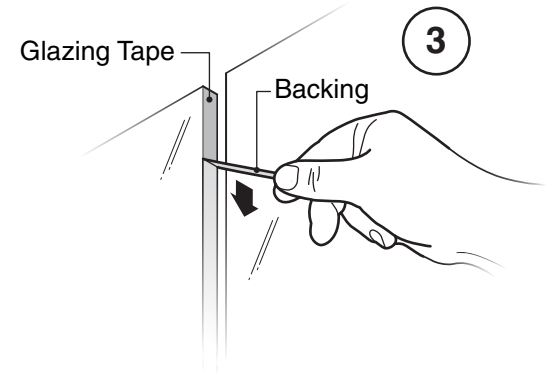


9. With one installer holding glass in place, a second installs temporary stops using Steelcase trim tool shown on page 2, or similar tool. Locate the temporary stop centered on the width of the glass.

10. Use laser to plumb edge of glass. Shim the glass to plumb/level as required. Have installer(s) lift side that requires shimming and insert thin shim(s) as required until glass in plumb/level.

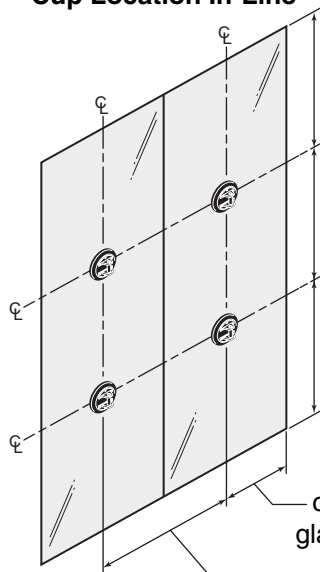


1. With previously installed glass in position, repeat steps 1 through 10 from pages 15 & 16, Installing Glass.
2. Before removing backer on adhesive, slide glass together to check glass plumbness and ensure there are no gaps between the glass. Shim as required (See page 16).
3. Slide glass apart to create a small gap between the two pieces of glass to allow for removal of tape backer, Remove tape backer.
4. Use suction cups and cinching straps as shown to draw the glass together. An installer on opposite side of straps can use a block to apply pressure to both panes of glass to ensure surfaces remain flush.



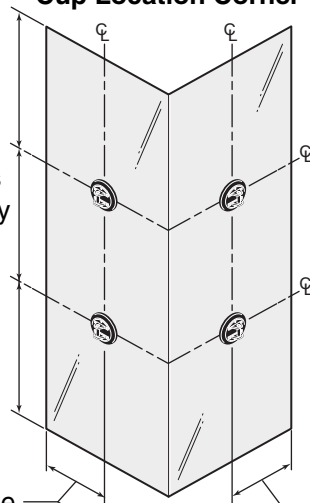
2

Side View of Suction Cup Location In-Line

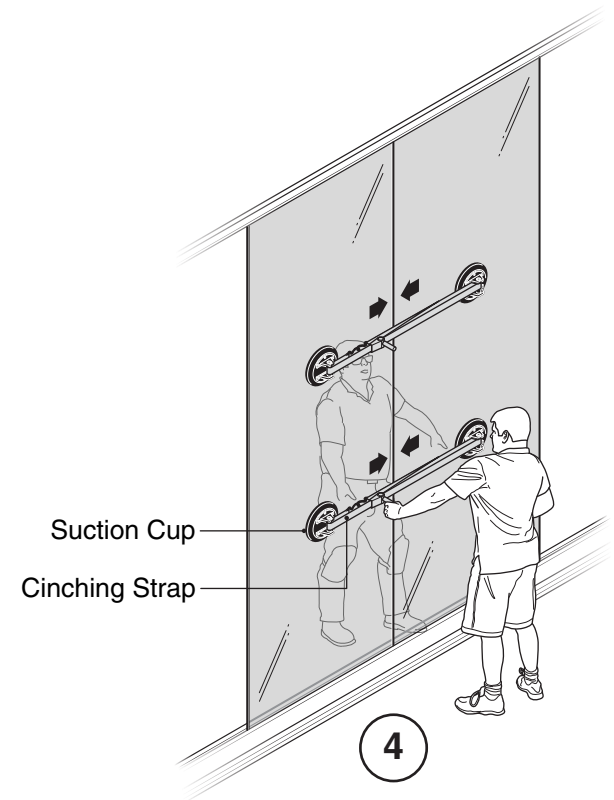


Suction cups spaced evenly apart

Side View of Suction Cup Location Corner

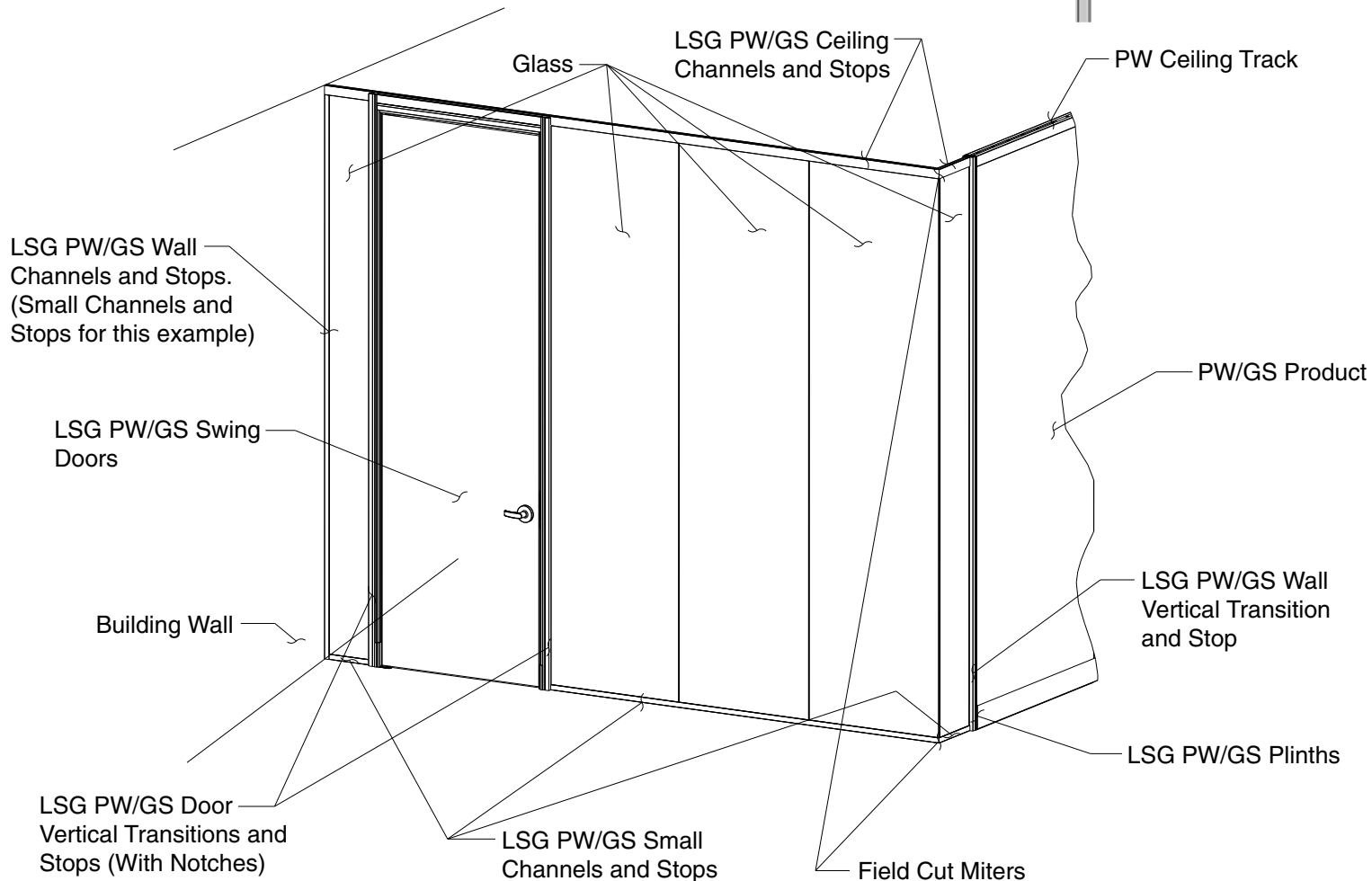
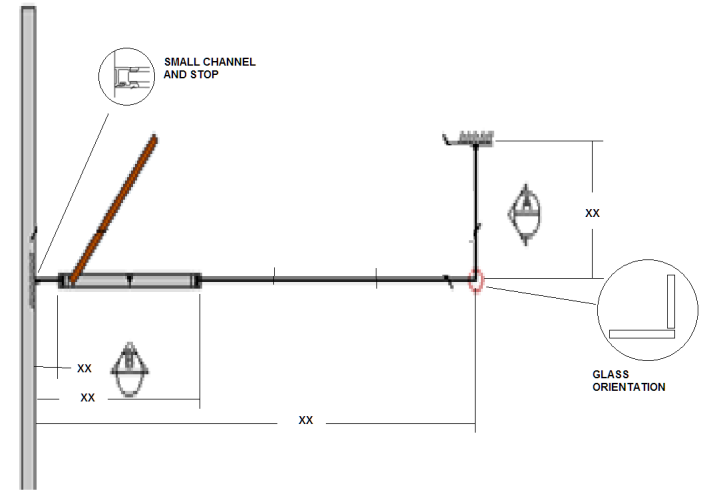


Suction cups centered on the glass horizontally



Lite Scale Glazing (LSG) - Privacy Wall/Glass Selections (PW/GS) Installation Example - LSG PW/GS Swing Door - Overview of Completed Install

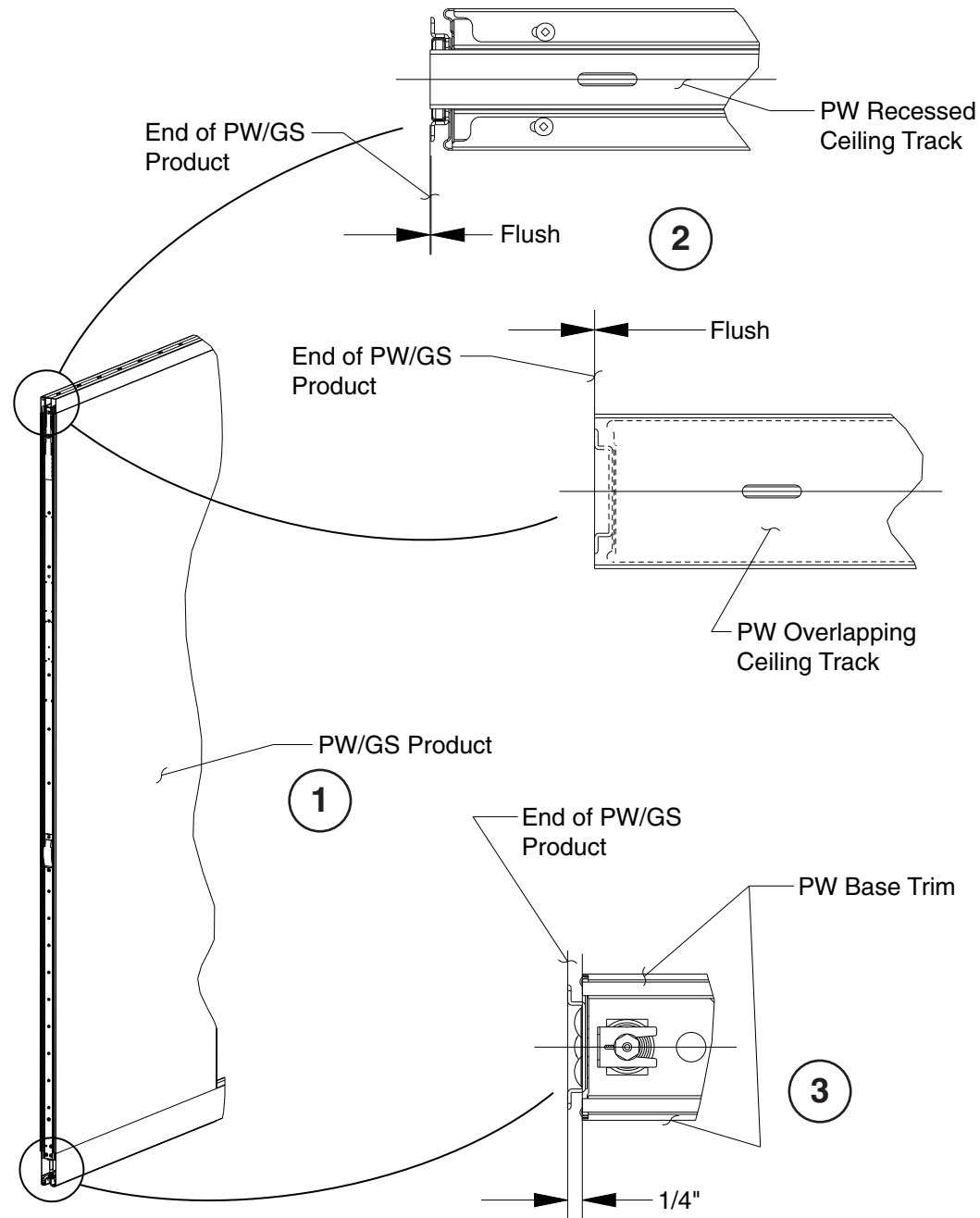
Refer to layout drawing to determine product location, design intent & dimensions.



1. Install PW/GS product per related assembly directions prior to starting LSG installation along with the following additional steps.

2. Where a LSG PW/GS wall transition vertical occurs the PW ceiling track should be installed flush to End of PW/GS product.

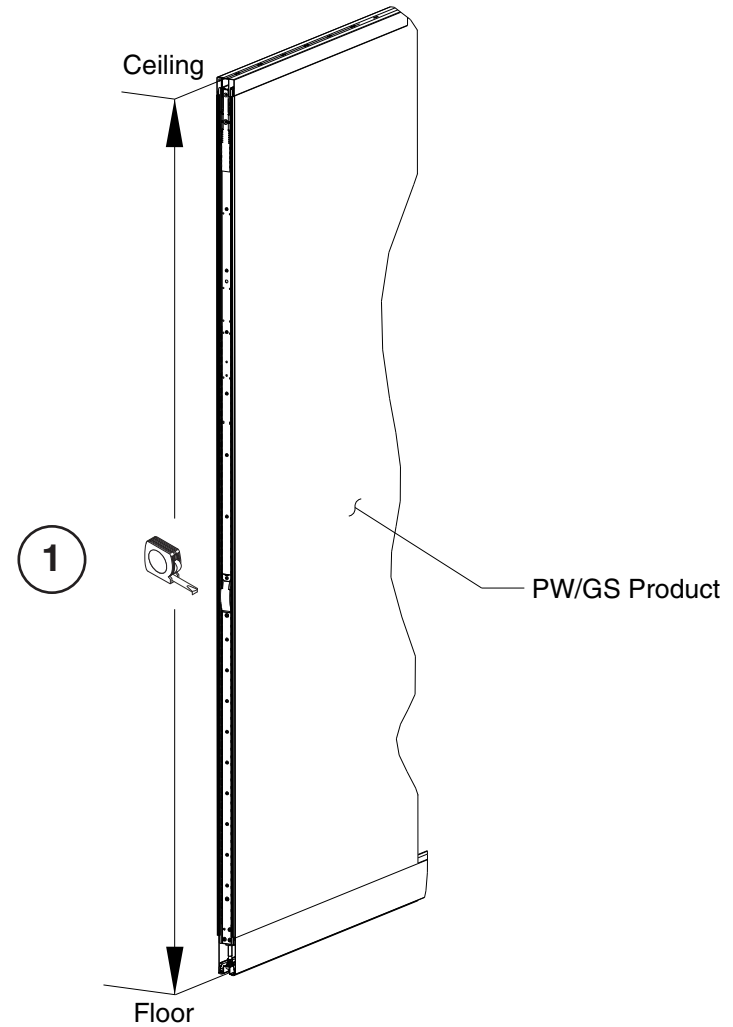
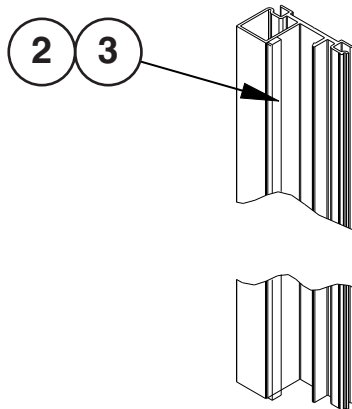
3. PW/GS Base trim should be set back $\frac{1}{4}$ " from the end of the PW/GS product.



Lite Scale Glazing (LSG) - Privacy Wall/Glass Selections (PW/GS) Installation Example - LSG PW/GS Swing Door - Wall Transition Vertical Channel at PW/GS Product

NOTE: Make sure to understand which side glass will be installed from to correctly identify and orient wall transition vertical and stop. Wall Transition Verticals and stops used next to PW/GS product do not have notches on ends.

1. Measure from floor to ceiling next to end of PW/GS product.
2. Cut wall transition vertical channel to length. Use a file to remove and burrs.
3. Clean surface and apply glazing tape per page 11.



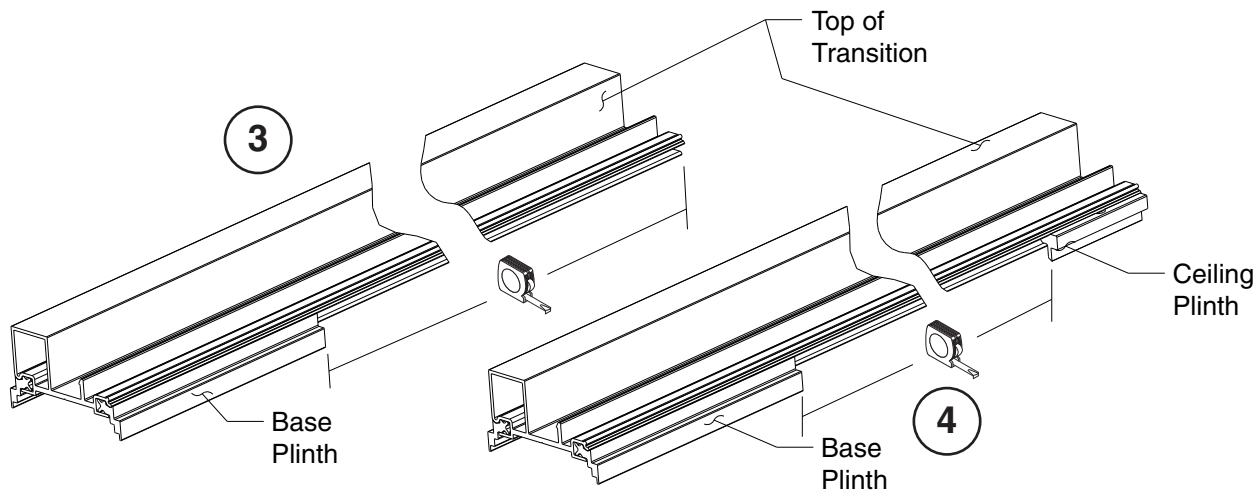
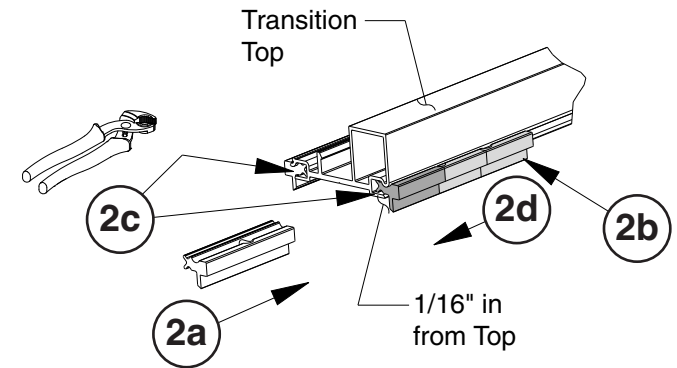
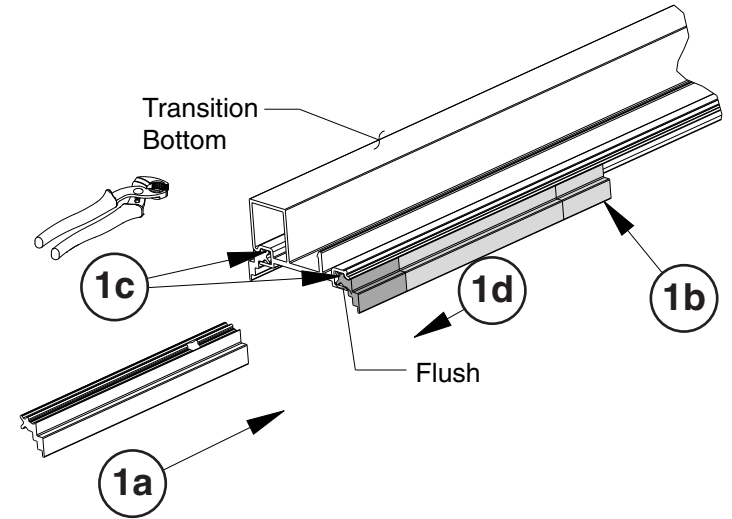
Lite Scale Glazing (LSG) - Privacy Wall/Glass Selections (PW/GS) Installation Example - LSG PW/GS Swing Door - Wall Transition Vertical Channel at PW/GS Product - Plinths

1. A) Install LSG base plinth into the bottom of the wall transition vertical as shown. B) Push plinth past bottom of transition vertical. C) Using pliers, gently pinch flange. D) Tap plinth back flush with the bottom of transition vertical. Repeat other side. For wall transition vertical used adjacent to PW recessed ceiling track skip to step 3.

2. For overlapping ceiling track on Adjacent PW/GS product only: A) Install LSG ceiling plinth into the top of the wall transition vertical as shown. B) Push plinth past top of transition vertical. C) Using pliers, gently pinch flange. D) Tap plinth back to 1/16" with the top of transition vertical. Repeat other side. For wall transition vertical used adjacent to PW overlapping ceiling track skip to step 4.

3. Measure from top of the base plinth to top of the wall transition vertical and cut 2 "full height" feature strips to dimension.

4. Measure from top of the base plinth to the bottom of the ceiling plinth and cut 2 "full height" feature strips to dimension.



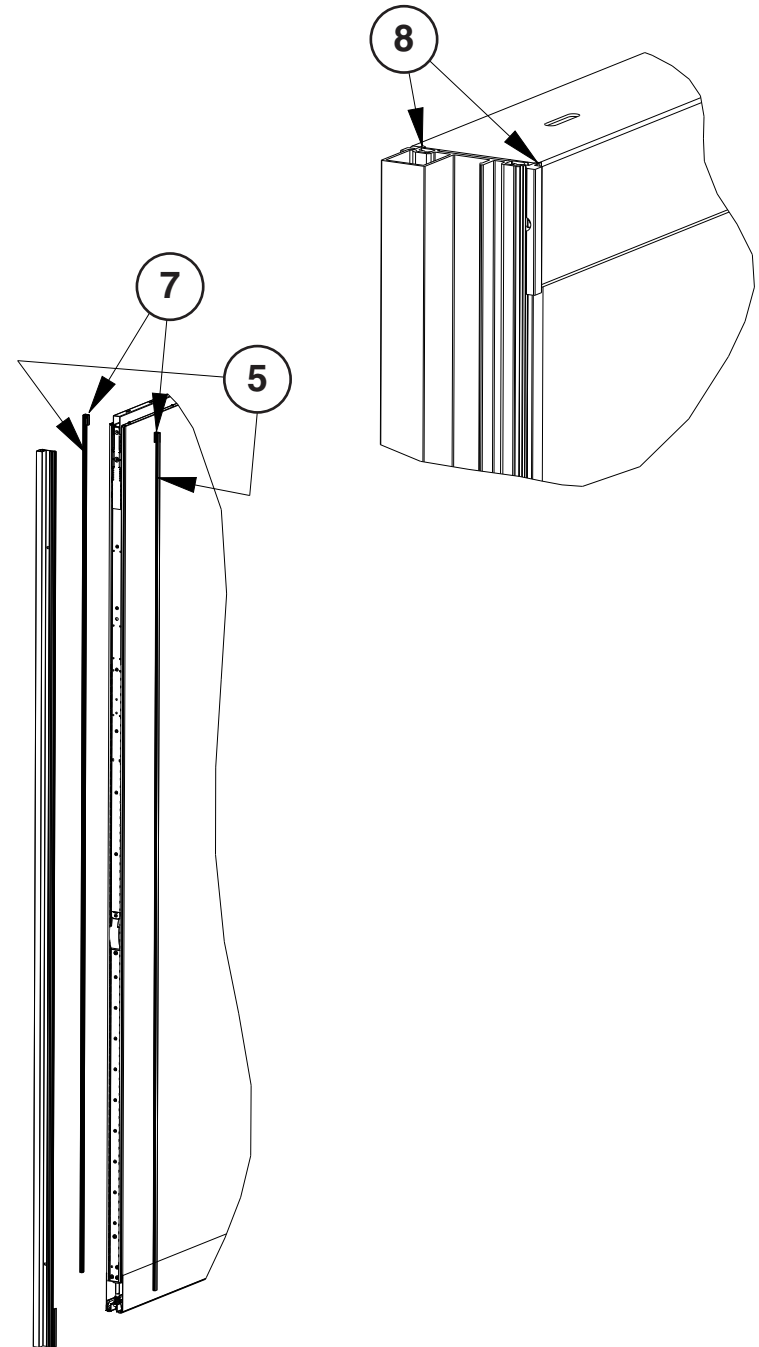
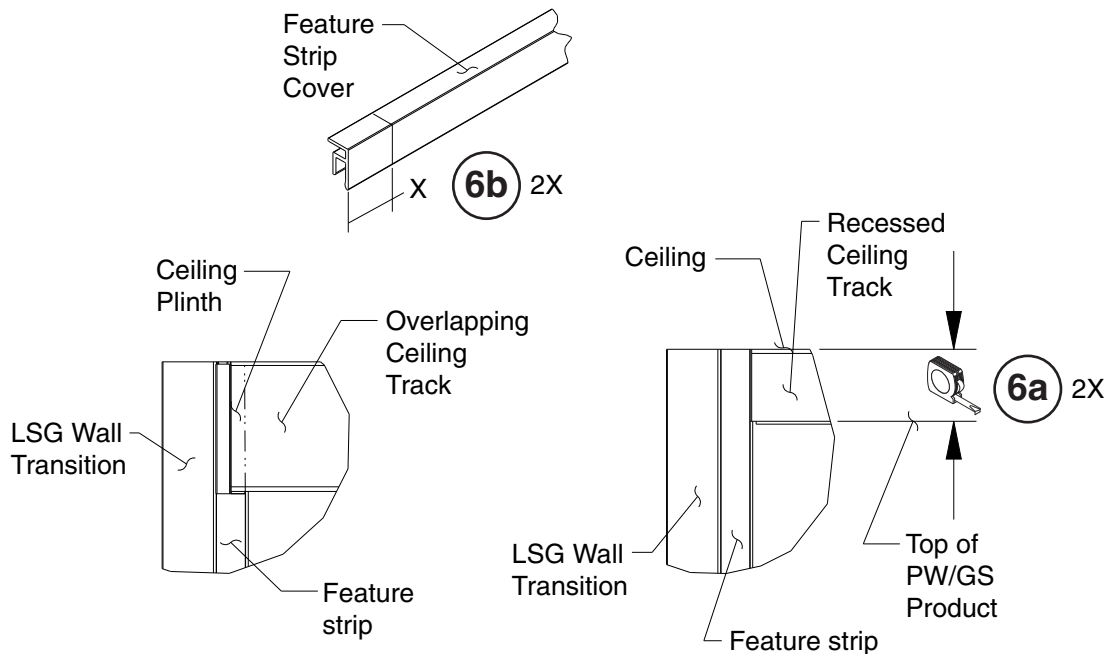
Lite Scale Glazing (LSG) - Privacy Wall/Glass Selections (PW/GS) Installation Example - LSG PW/GS Swing Door - Wall Transition Vertical Channel at PW/GS Product - Install

5. Install wall transition vertical to PW/GS product using feature strips from pervious step. Skip to step 8 for overlapping ceiling track.

6. A) For recessed ceiling track, measure distance from top of PW/GS product to ceiling, both sides. B) Cut sections of feature strip cover to dimensions. Use a file to remove burrs.

7. While installing feature strip insert feature strip cover at the top. Repeat other side.

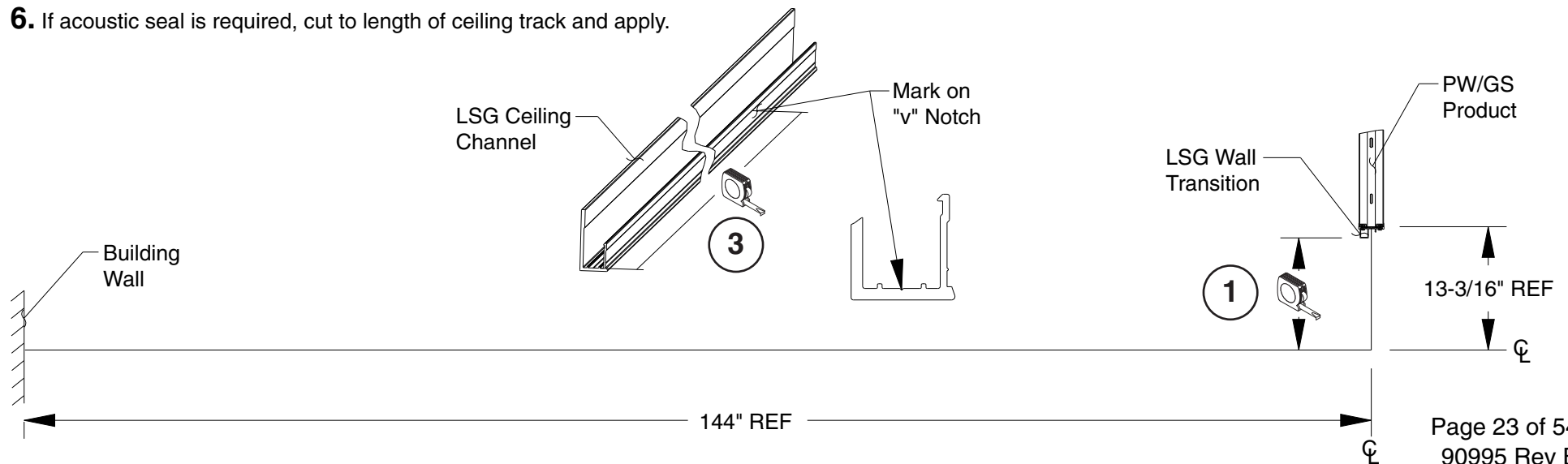
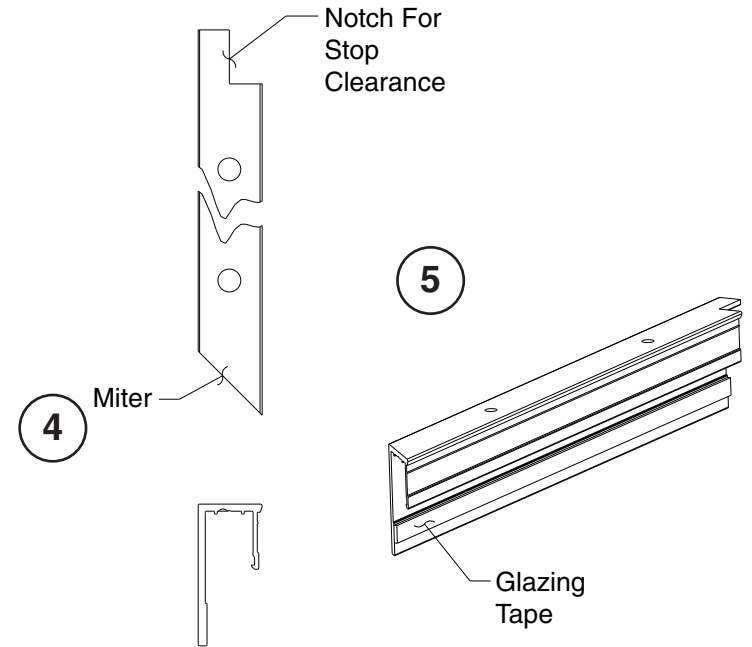
8. For overlapping ceiling track, insert ceiling plinth tabs under overlapping ceiling track.



Lite Scale Glazing (LSG) - Privacy Wall/Glass Selections (PW/GS) Installation Example - LSG PW/GS Swing Door - Ceiling Track Channel

NOTE: See page 1 regarding ceiling mounting conditions and methods.

1. Use method suggested on page 4 to mark center lines of channels to ceiling grid. Measure from the face of wall transition vertical to centerline. (For this example 12")
2. Determine orientation of channel to understand which end will be mitered.
3. Transfers measurement from end of channel. Use the "V" notch to indicate location of measurement.
4. Cut miter. Use file to remove burrs.
5. Refer to page 10 to prep ceiling channel for mounting.
6. If acoustic seal is required, cut to length of ceiling track and apply.



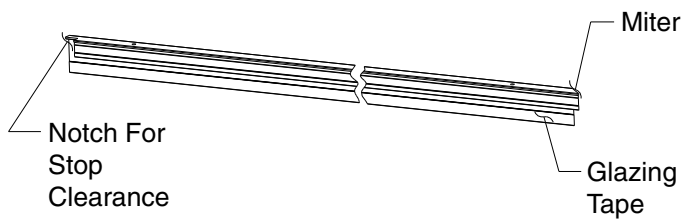
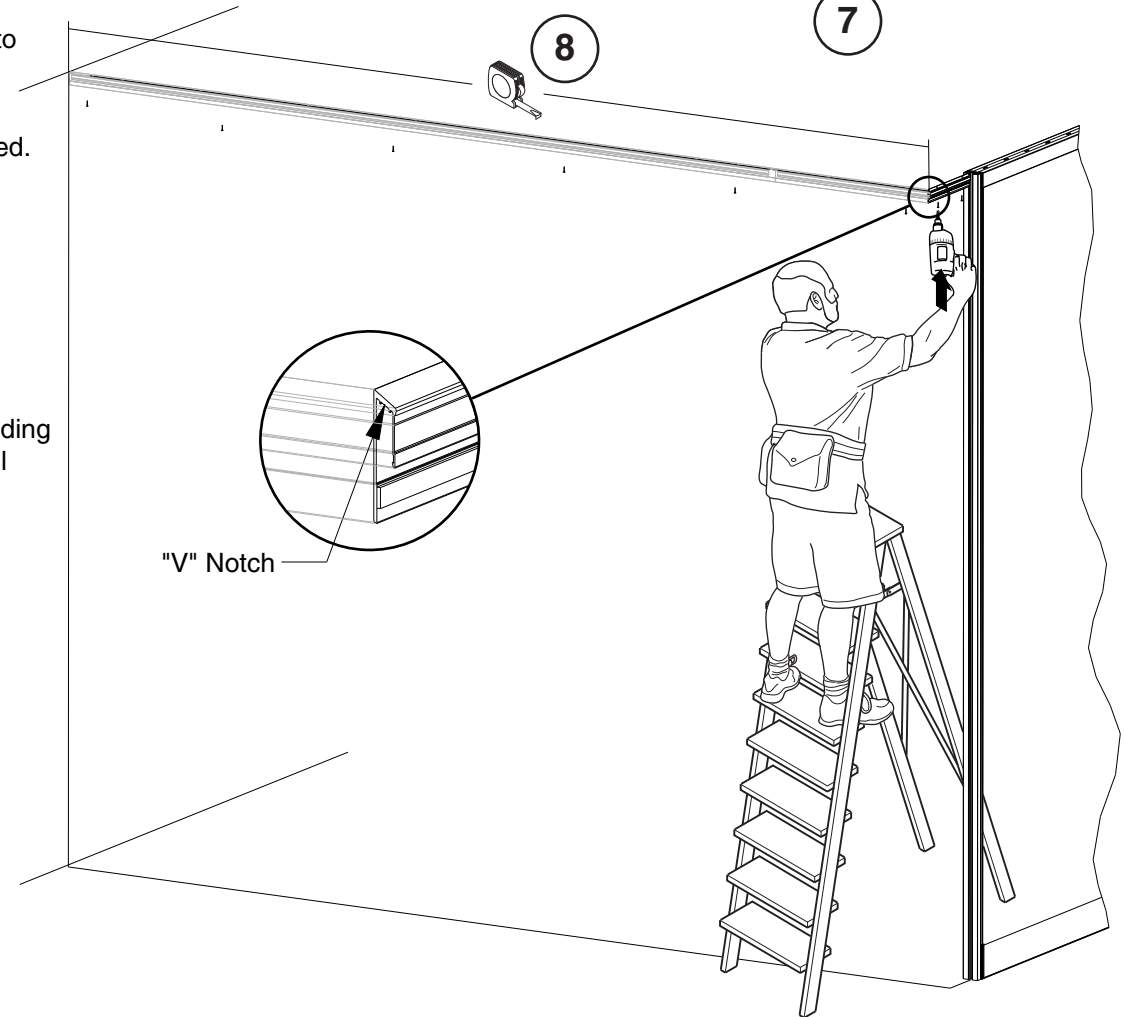
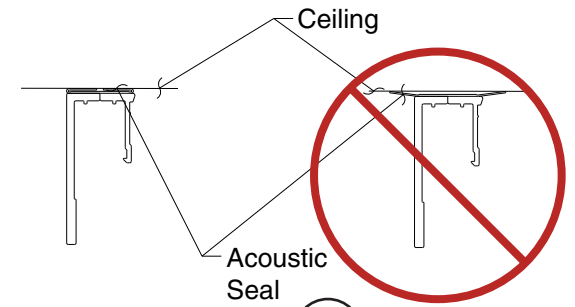
Lite Scale Glazing (LSG) - Privacy Wall/Glass Selections (PW/GS) Installation Example - LSG PW/GS Swing Door - Ceiling Track Channel (Continued)

7. Install ceiling track to ceiling. If acoustic seal is present take care to apply so seal flaps are as shown.

8. Measure from building wall to "v" notch on ceiling track just installed. Repeat steps 2 through 7.

NOTE: It will be required to use 2 or more pieces of ceiling track for longer runs.

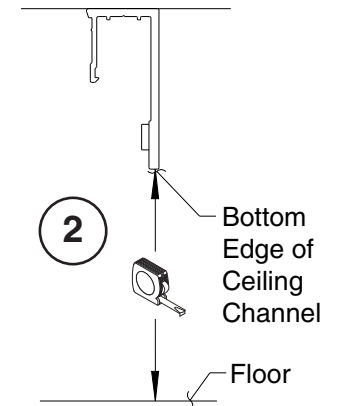
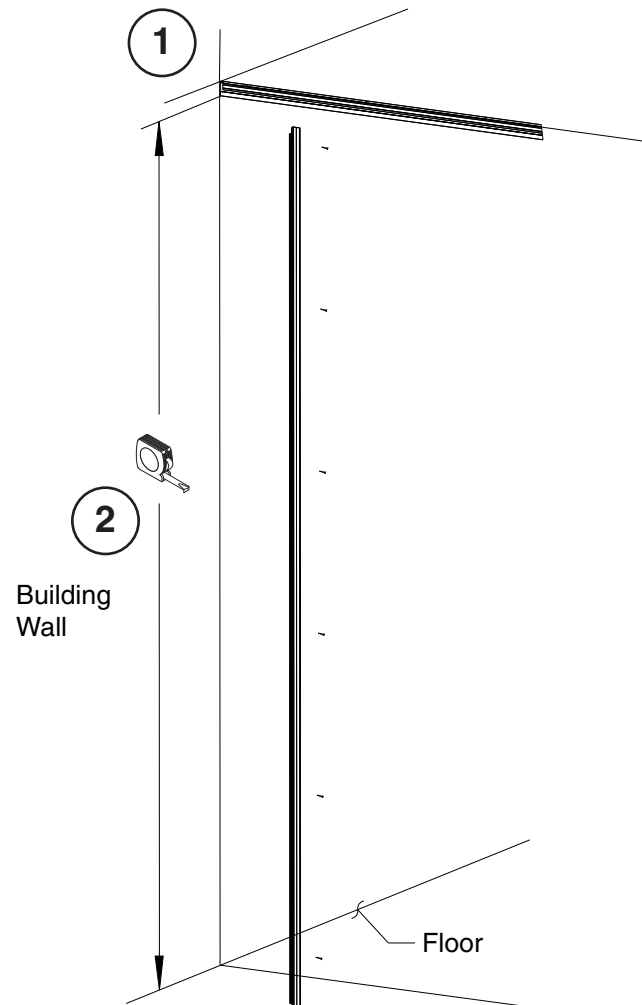
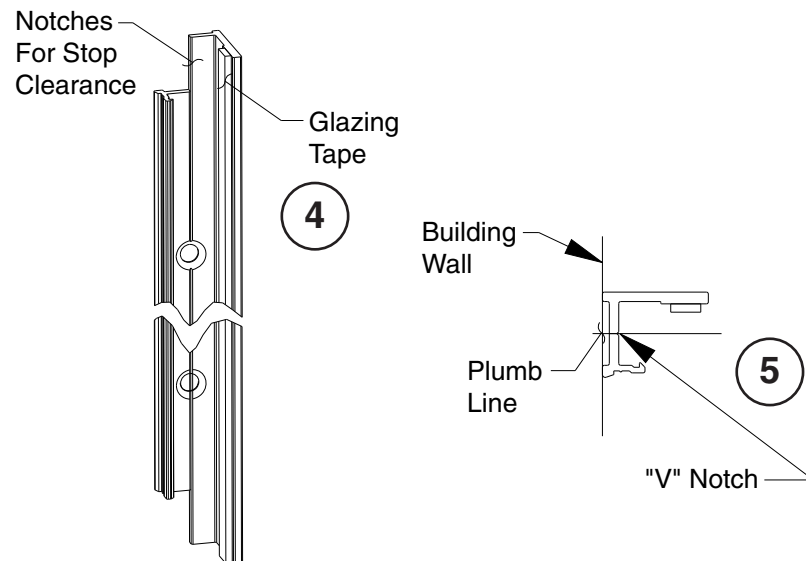
NOTE: Add light and sound seal per page 13 if required (Example: Tegular ceilings).



Lite Scale Glazing (LSG) - Privacy Wall/Glass Selections (PW/GS) Installation Example - LSG PW/GS Swing Door - Wall Channel

The small channel is used in this example.

1. Transfer a plumb line from ceiling layout centerline to floor.
2. Measure from bottom edge of ceiling track to the floor at the building wall where wall channel will be installed.
3. Cut wall channel to dimension. Use file to remove burrs.
4. Refer to page 10 to prep wall channel for mounting.
5. Align the "V" notch with the plumb line and mount wall channel to wall.



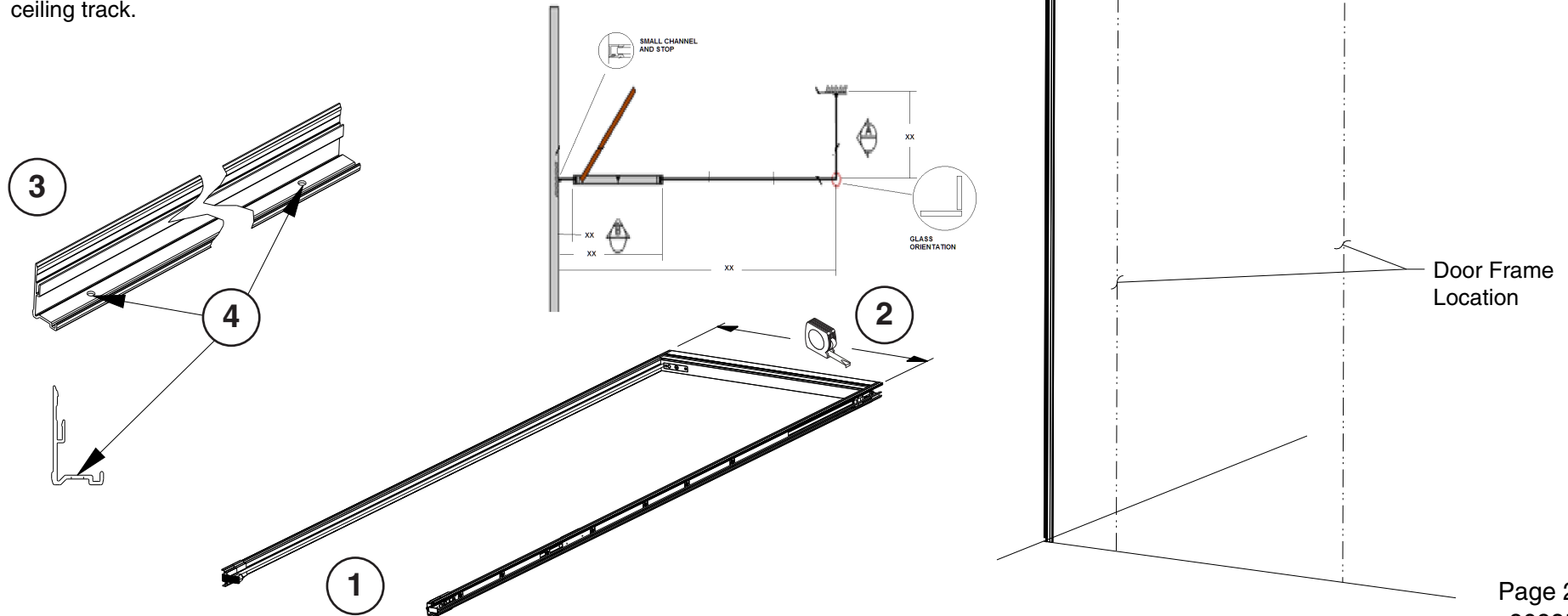
List of Standard PW/GS swing door Assembly Directions:

939500491 - Privacy Wall Butt-Hinged Door
(For products manufactured after September 14, 2009).

939500492 - Privacy Wall and Glass Selections Pivot-Hinged Door
(For products manufactured after September 14, 2009).

Lite Scale Glazing (LSG) - Privacy Wall/Glass Selections (PW/GS) Installation Example - LSG PW/GS Swing Door - Install

1. Use appropriate assemble directions to assemble standard swing door frame along with following steps.
2. Measure door frame width and subtract 3/4" from dimension.
Example: 40" door width - 3/4" = 39 1/4".
3. Cut ceiling track spacer to dimension. Use a file to remove burrs.
4. Drill a 1/4" diameter hole approximately 2" from both ends.
5. Mark the location of the door frame per layout dimensions on ceiling track.

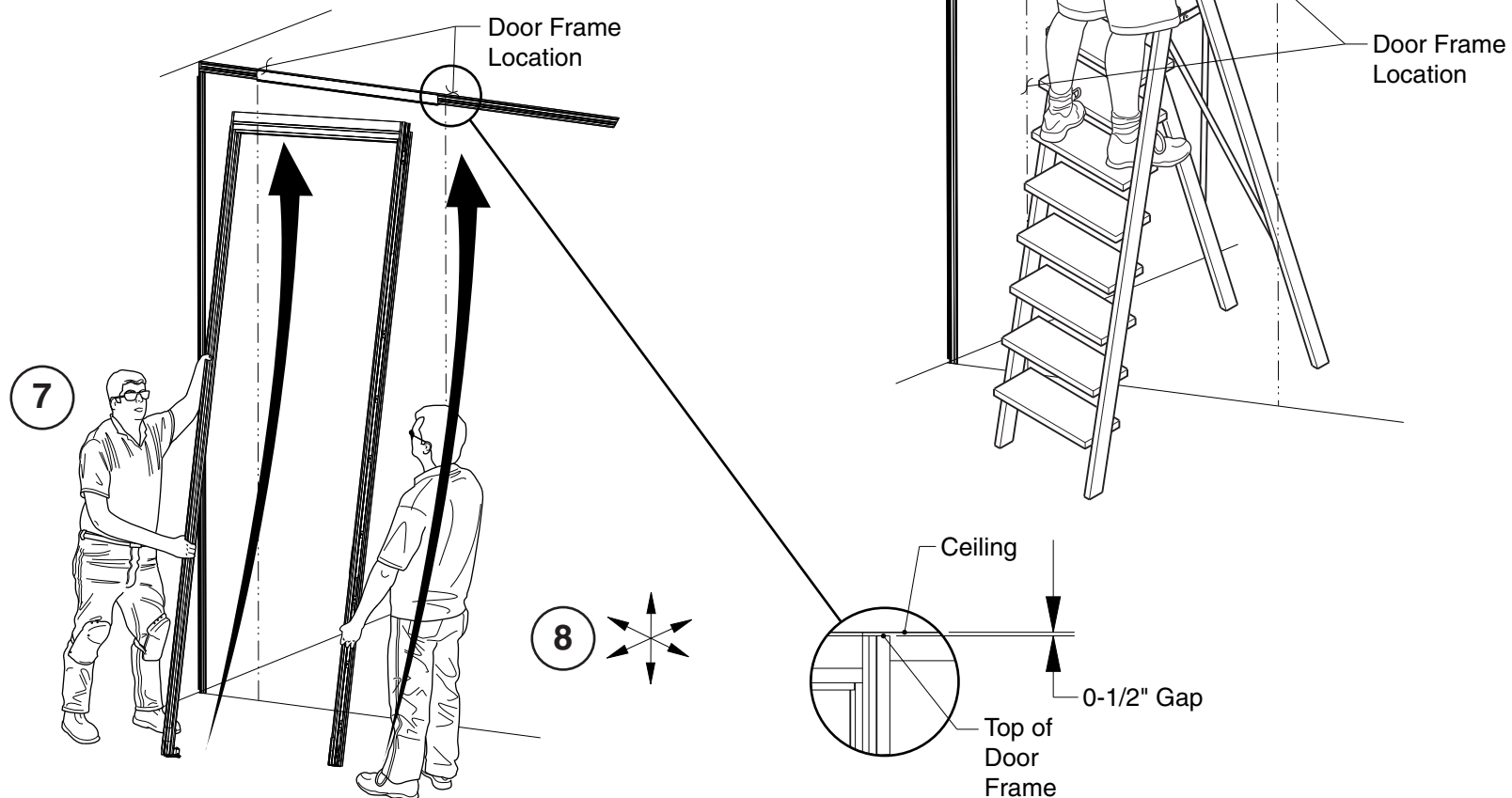


Lite Scale Glazing (LSG) - Privacy Wall/Glass Selections (PW/GS) Installation Example - LSG PW/GS Swing Door - Install (Continued)

6. A) Align ceiling track spacer centering it between the door frame marks. B) With a 3/16" diameter drill bit, drill holes into ceiling channel through the pilot holes in ceiling track spacer. C) Using a # 10 Screw attach ceiling track spacer to ceiling track.

7. Insert door frame into position.

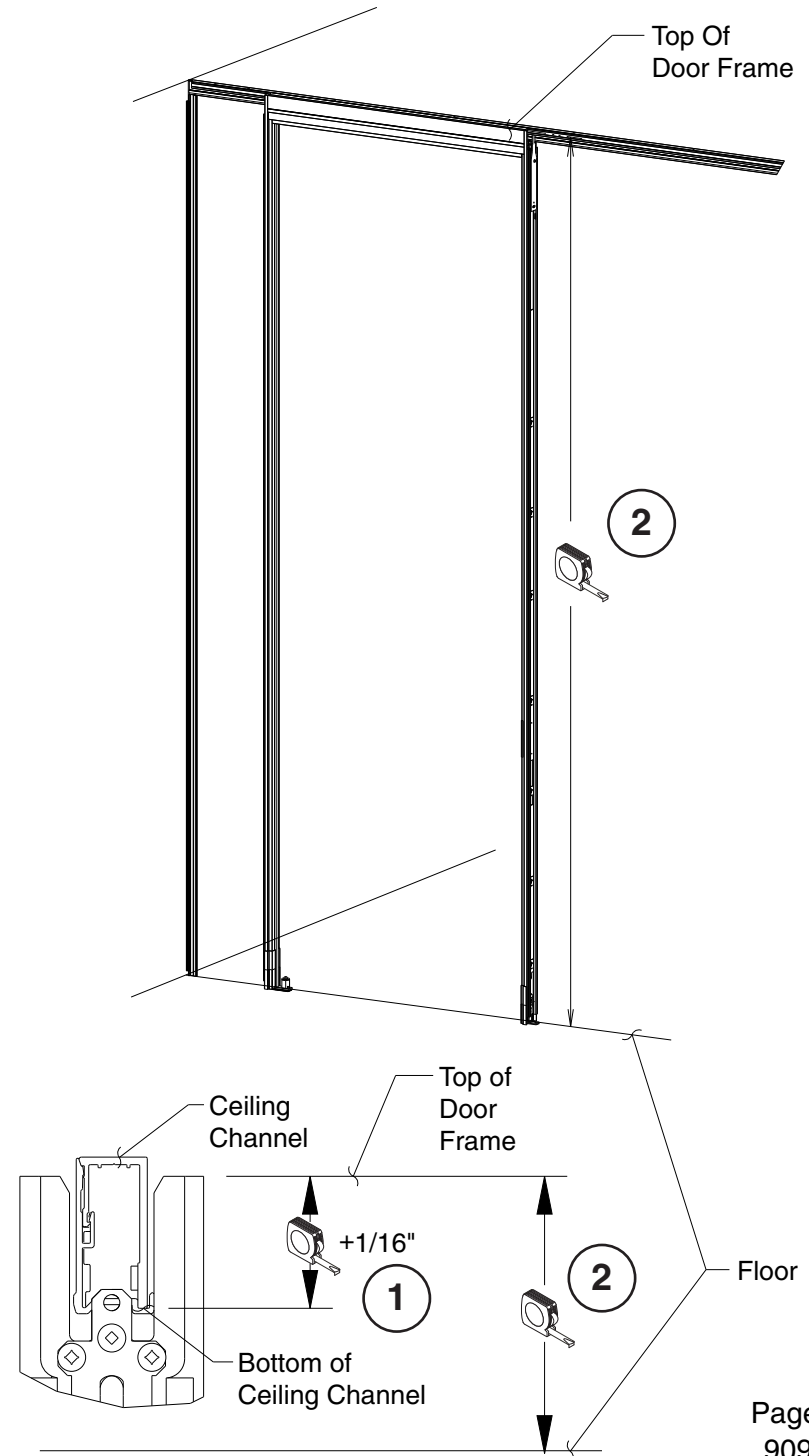
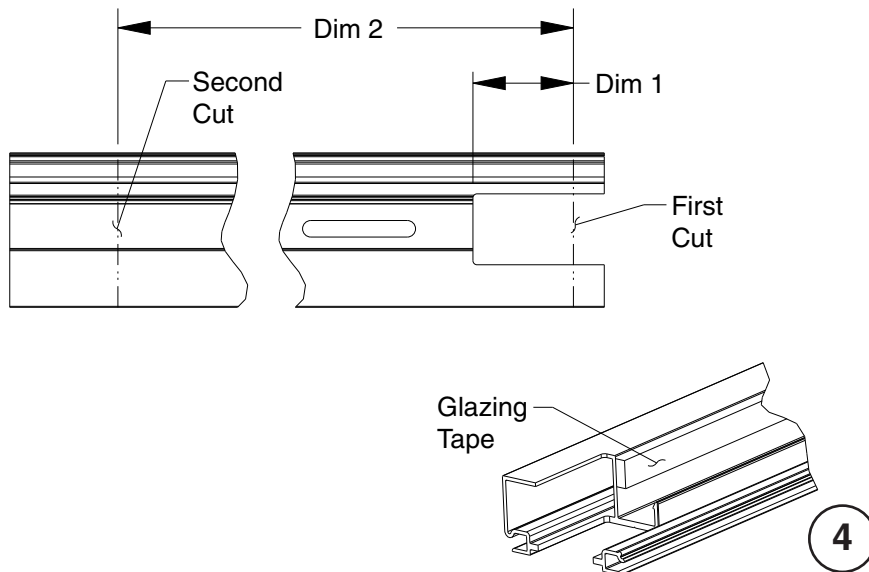
8. Set the position, level & plumb door frame.



Lite Scale Glazing (LSG) - Privacy Wall/Glass Selections (PW/GS) Installation Example - LSG PW/GS Swing Door - Door Transition Verticals

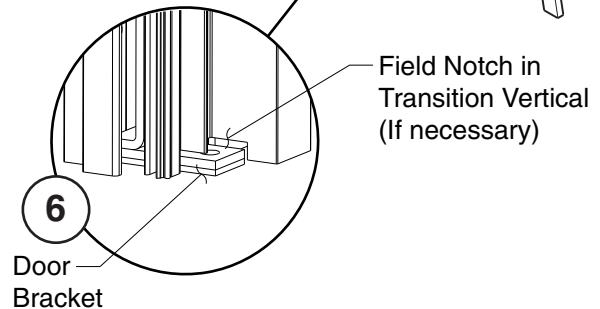
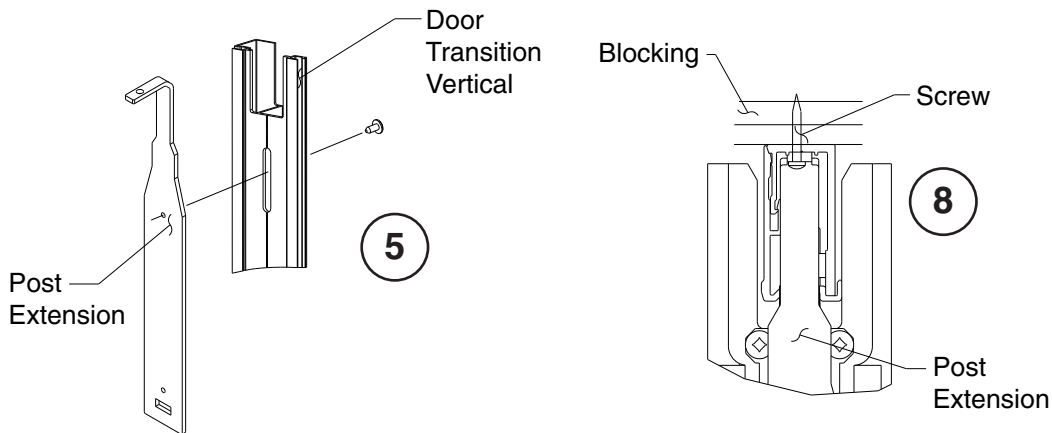
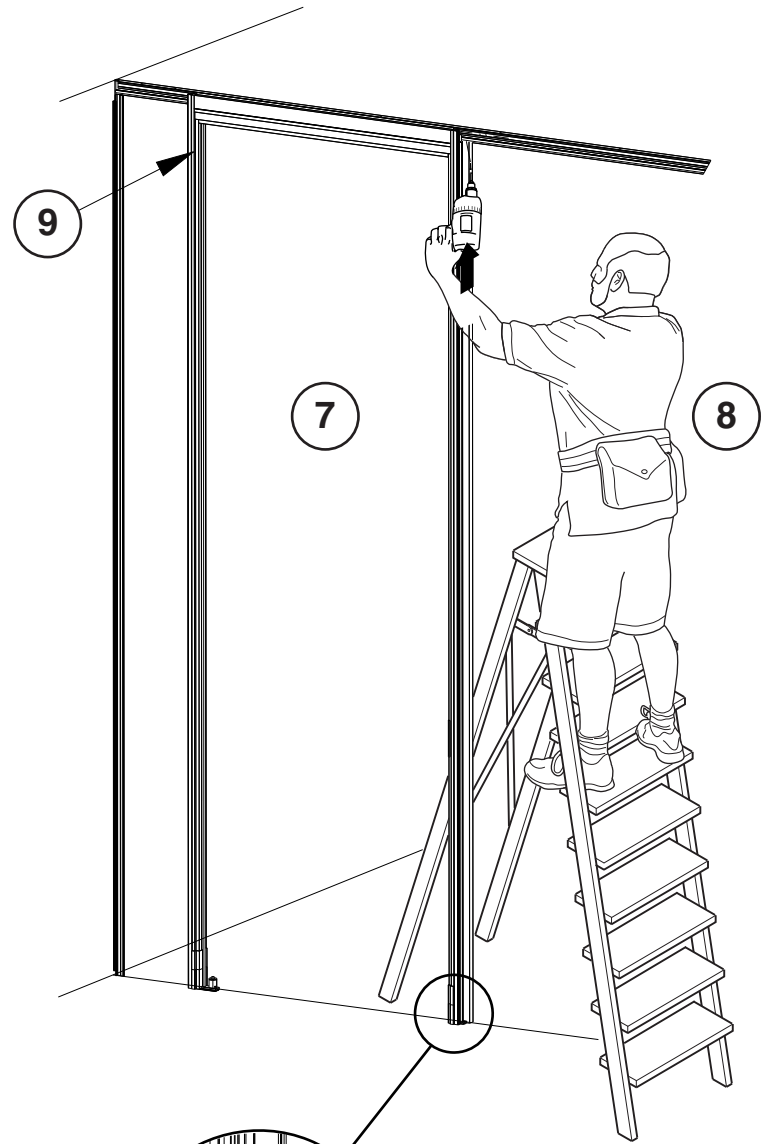
NOTE: LSG door transitions are generally supplied with a set of handed notched channels and stop. Determine the stop side to understand handedness in relationship to the door frame.

1. Measure from top of door frame to bottom of ceiling channel, add a 1/16".
2. Measure from top of door frame to floor. Dimension 2 will also be used to cut feature strips in step 7 on page 29.
3. Determine correct handed door transition vertical and mark dimension 1 from bottom of notch. Make the first cut. Now mark dimension 2 from the first cut to the other end. Make second cut. Use a file to remove burrs from both cuts.
4. Clean surface and apply glazing tape per page 11.



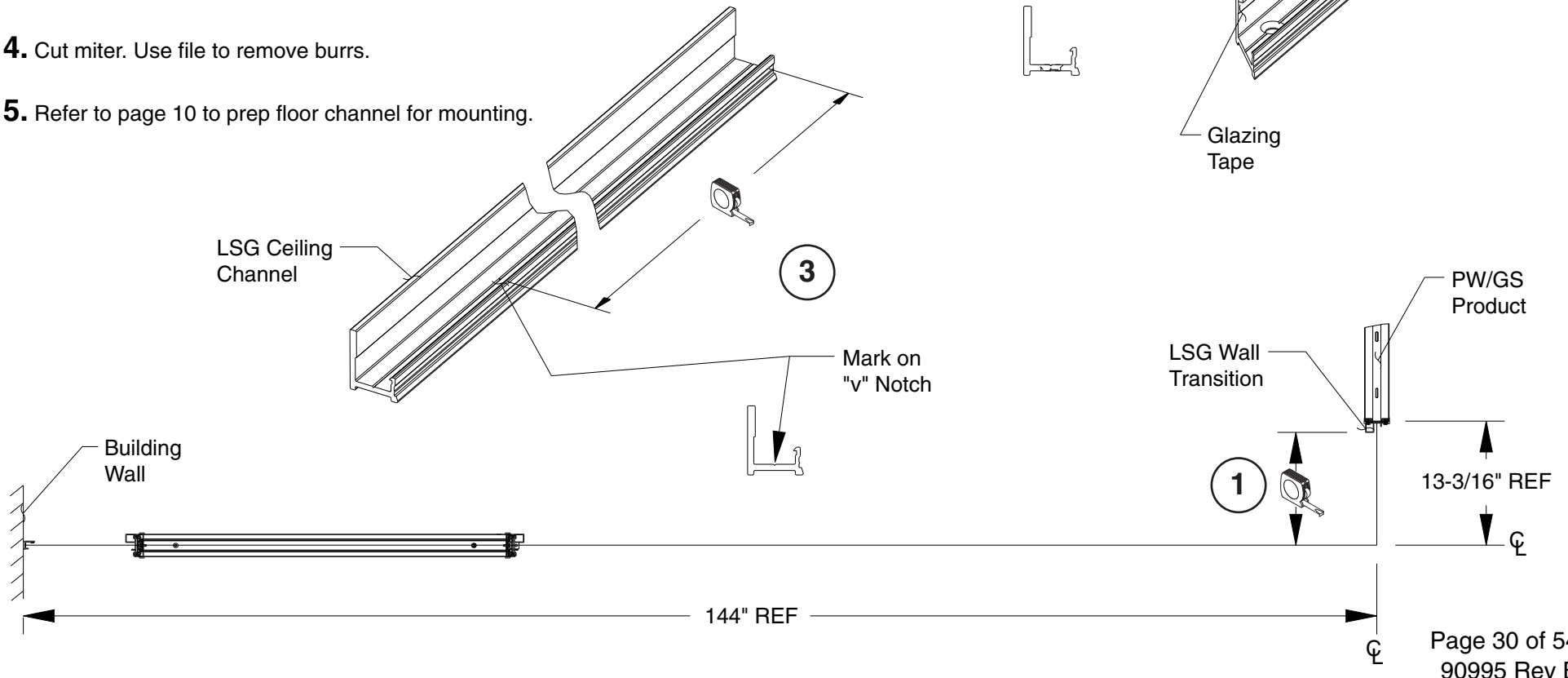
Lite Scale Glazing (LSG) - Privacy Wall/Glass Selections (PW/GS) Installation Example - LSG PW/GS Swing Door - Door Transition Verticals (Continued)

5. Attach post extension bracket with screw. Tighten screw so that post extension bracket can slide freely.
6. Align door transition vertical to door frame and check fit. In some cases it may be required to cut a clearance notch at the bottom of the of the door transition vertical to allow for door components. (If necessary)
7. Install door transition vertical to frame using feature strips cut to dimension measured in step 2.
8. Push post extension up into ceiling track, drill pilot hole, and attach with screw. Same screw used to attach ceiling channels.
9. Repeat steps 1 through 8.
10. Complete installation of door leaf per standard door assemble directions.



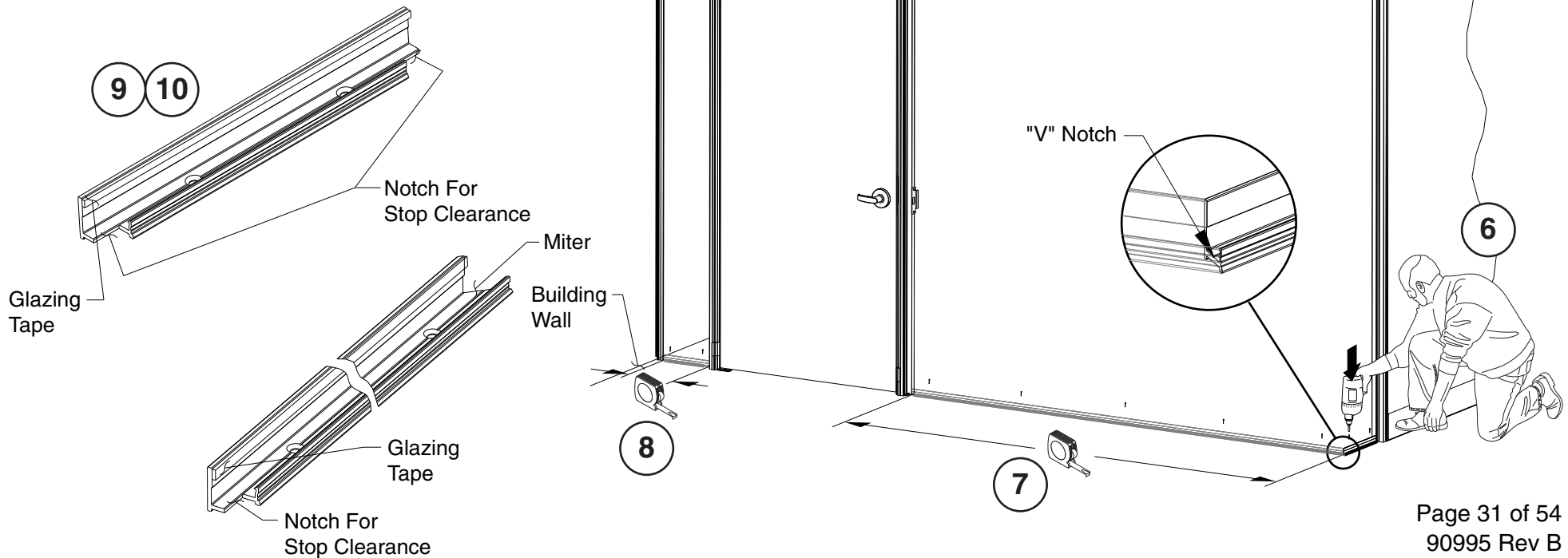
Lite Scale Glazing (LSG) - Privacy Wall/Glass Selections (PW/GS) Installation Example - LSG PW/GS Swing Door - Installing Floor Channel

1. Use method suggested on page 4 to mark center lines of floor channel to floor. Measure from the face of wall transition vertical to centerline. (For this example 12")
2. Determine orientation of floor channel to understand which end will be mitered.
3. Transfers measurement from end of channel. Use the "V" notch to indicate location of measurement.
4. Cut miter. Use file to remove burrs.
5. Refer to page 10 to prep floor channel for mounting.



Lite Scale Glazing (LSG) - Privacy Wall/Glass Selections (PW/GS) Installation Example - LSG PW/GS Swing Door - Installing Floor Channel (Continued)

6. Install floor channel to floor.
7. Measure from edge of door transition vertical to "V" notch on floor channel just installed. Repeat steps 2 through 6.
8. Measure from edge of door transition vertical to the edge of the wall channel.
9. Cut to dimension. Use file to remove burrs.
10. Refer to page 10 to prep floor channel for mounting.



Lite Scale Glazing (LSG) - Privacy Wall/Glass Selections (PW/GS) Installation Example - LSG PW/GS Swing Door - Installing Single Piece of Glass

1. Install glass, Refer to page 14 for Prepping Glass to Install and Page 15 for Installing Glass.

2. Measure from end of ceiling track spacer (inside door header) to building wall, subtract 1/16".

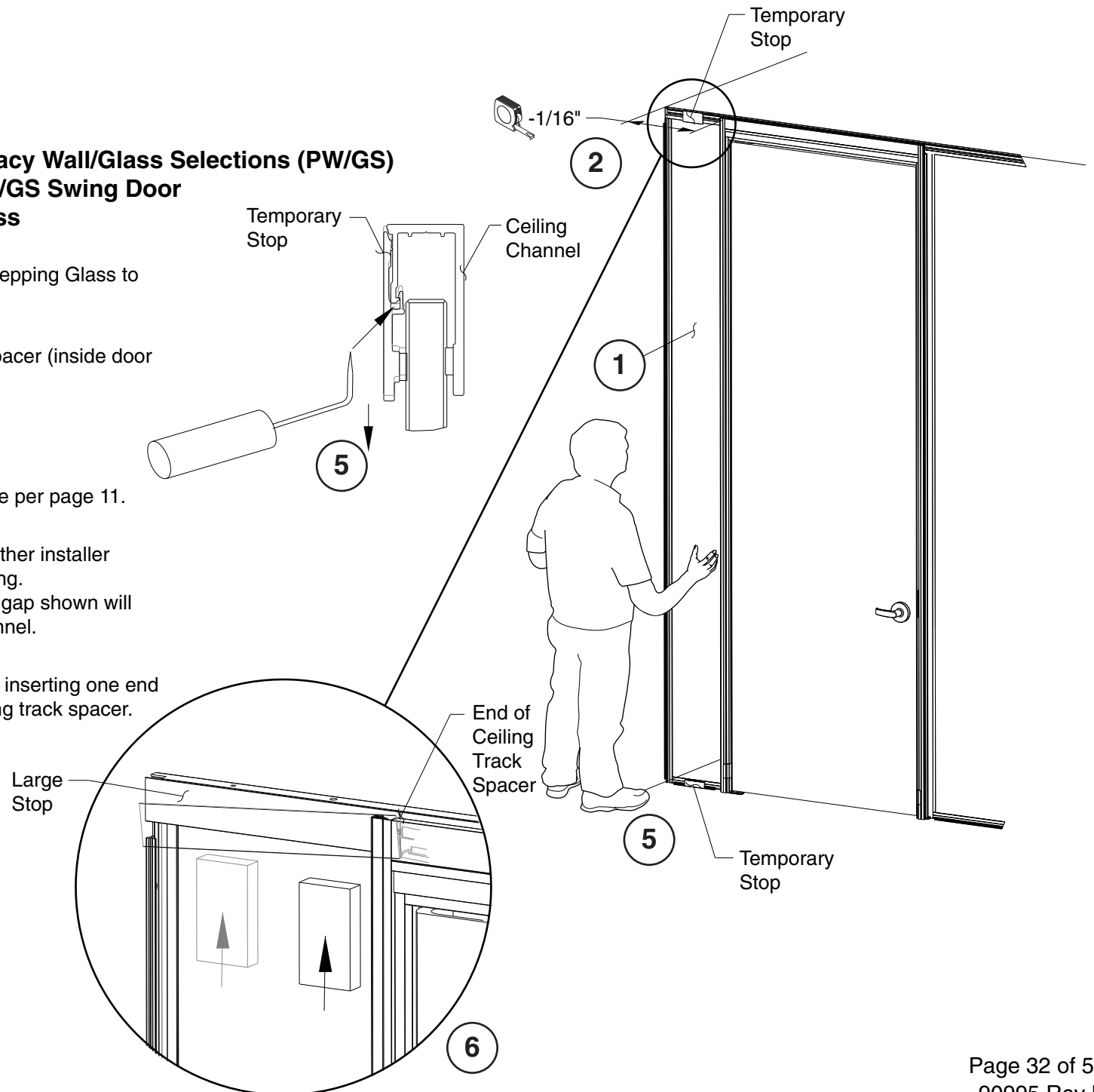
3. Cut ceiling stop to dimension.

4. Clean surface and apply glazing tape per page 11.

5. With one installer holding glass, another installer removes the temporary stop at the ceiling.

TIP: A small pick/hook inserted into the gap shown will help drive temporary stop from the channel.

6. Install the permanent ceiling stop by inserting one end behind door frame until it contacts ceiling track spacer. Then use block to complete install.



Lite Scale Glazing (LSG) - Privacy Wall/Glass Selections (PW/GS) Installation Example - LSG PW/GS Swing Door - Installing Single Piece of Glass (Continued)

7. Measure from bottom edge of ceiling stop to floor near the wall.

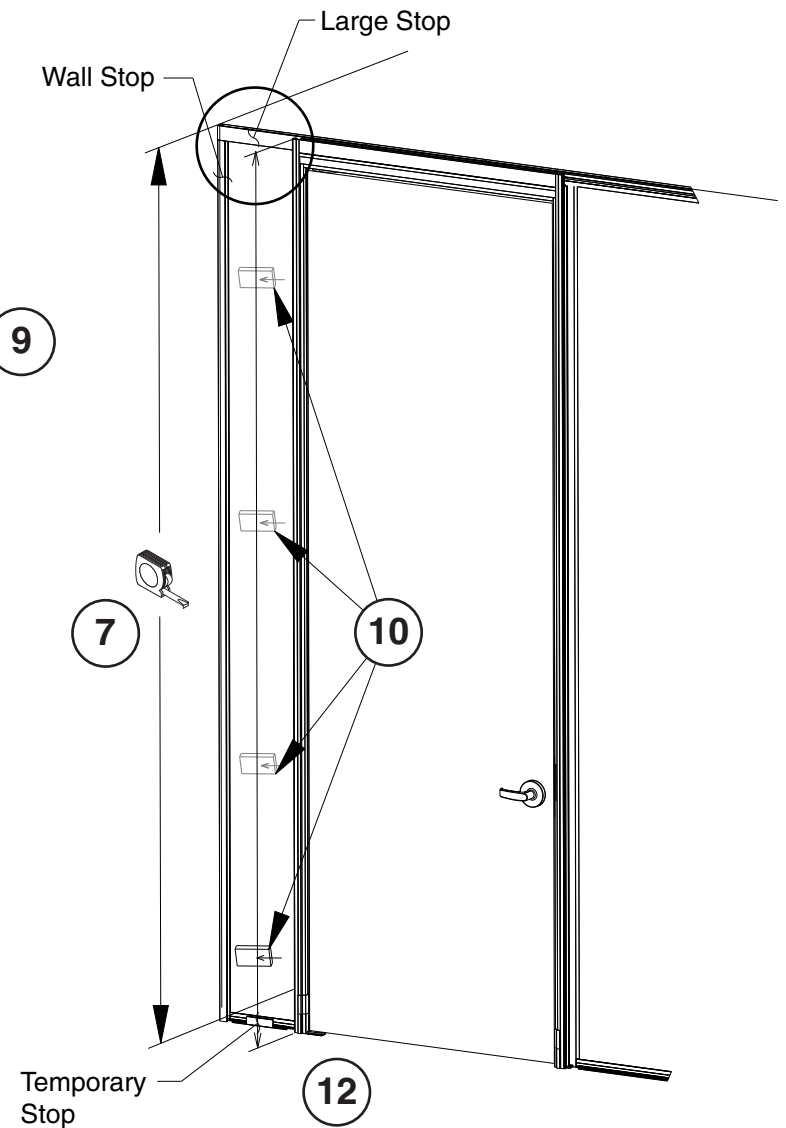
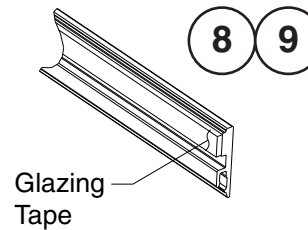
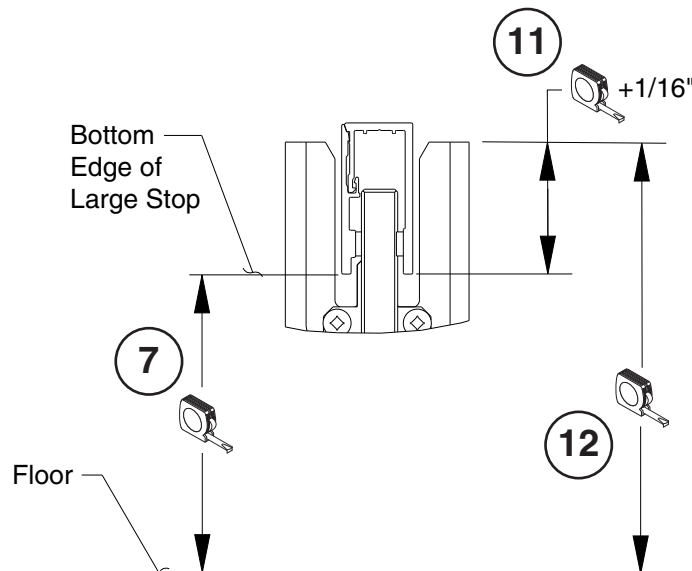
8. Cut the wall stop to dimension (the small stop is used in this example). Use a file to remove burrs.

9. Clean surface and apply glazing tape per page 11.

10. Install the wall stop using block as shown.

11. Measure from top of door frame to bottom of ceiling channel, add a 1/16".

12. Measure from top of door frame to floor.



Lite Scale Glazing (LSG) - Privacy Wall/Glass Selections (PW/GS) Installation Example - LSG PW/GS Swing Door - Installing Single Piece of Glass (Continued)

13. Determine correct handed door transition stop and mark dimension from step 11 from bottom of notch. Make the first cut. Now mark dimension from step 12 from the first cut to the other end. Make second cut. Use a file to remove burrs from both cuts.

14. Clean surface and apply glazing tape per page 11.

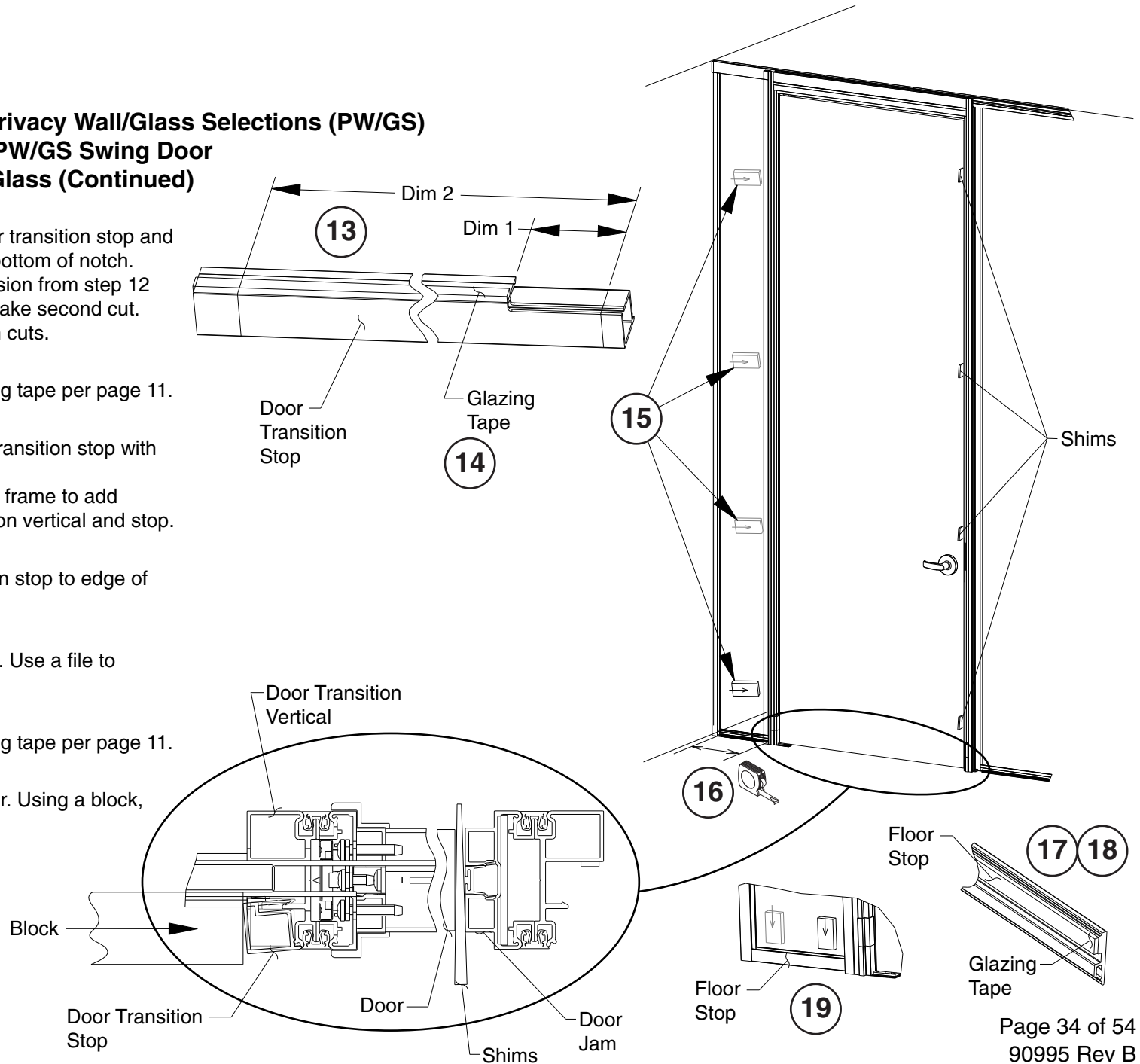
15. Using block and mallet install transition stop with the door closed.
TIP: Place shims between door and frame to add resistance to help assemble transition vertical and stop.

16. Measure from edge of transition stop to edge of wall stop.

17. Cut the floor stop to dimension. Use a file to remove burrs.

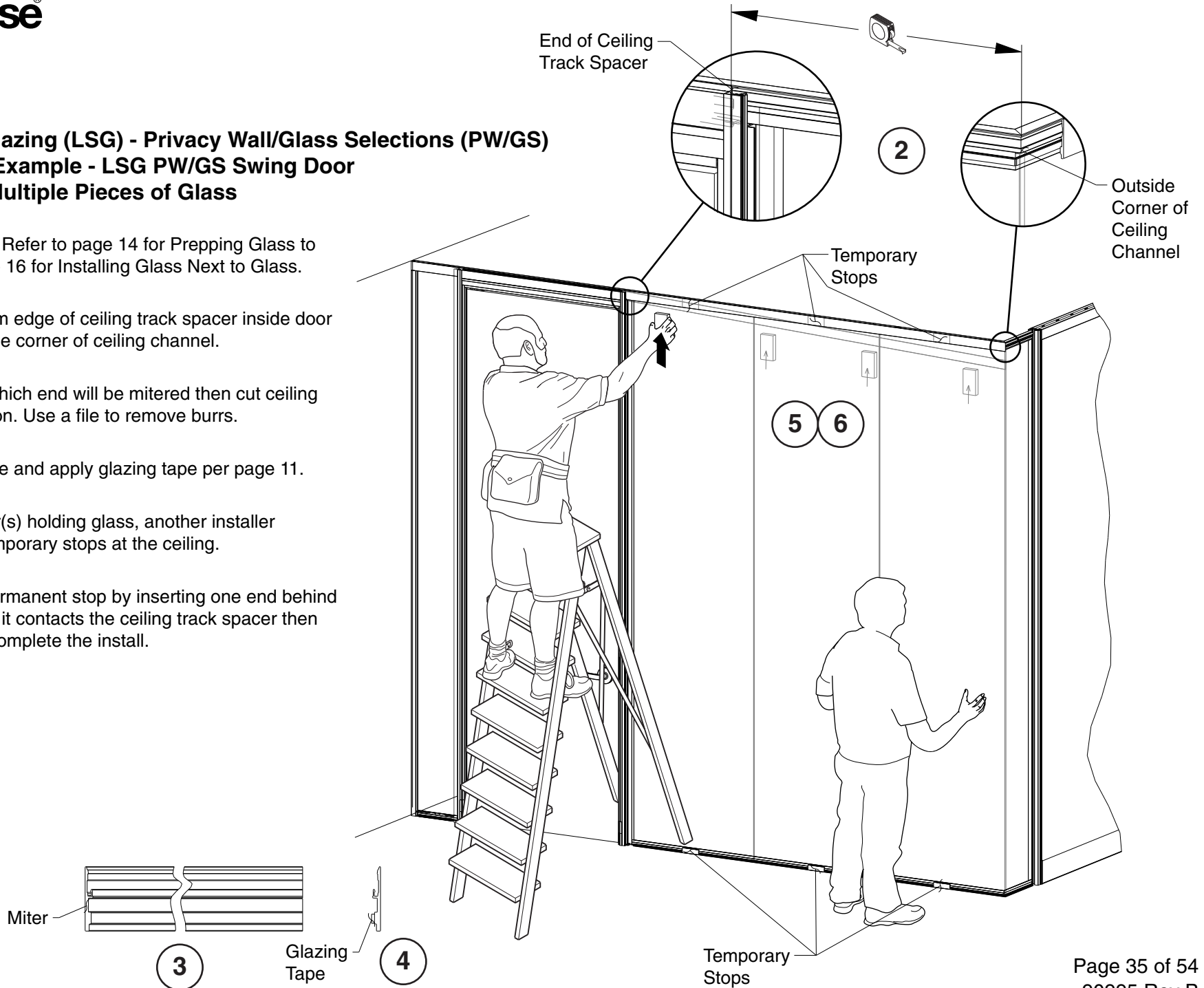
18. Clean surface and apply glazing tape per page 11.

19. Remove temporary stop at floor. Using a block, install permanent floor stop.



Lite Scale Glazing (LSG) - Privacy Wall/Glass Selections (PW/GS) Installation Example - LSG PW/GS Swing Door - Installing Multiple Pieces of Glass

1. Install glass, Refer to page 14 for Prepping Glass to Install and Page 16 for Installing Glass Next to Glass.
2. Measure from edge of ceiling track spacer inside door header to outside corner of ceiling channel.
3. Determine which end will be mitered then cut ceiling stop to dimension. Use a file to remove burrs.
4. Clean surface and apply glazing tape per page 11.
5. With installer(s) holding glass, another installer removes the temporary stops at the ceiling.
6. Install the permanent stop by inserting one end behind door frame until it contacts the ceiling track spacer then use a block to complete the install.



Lite Scale Glazing (LSG) - Privacy Wall/Glass Selections (PW/GS) Installation Example - LSG PW/GS Swing Door - Installing Multiple Pieces of Glass (Continued)

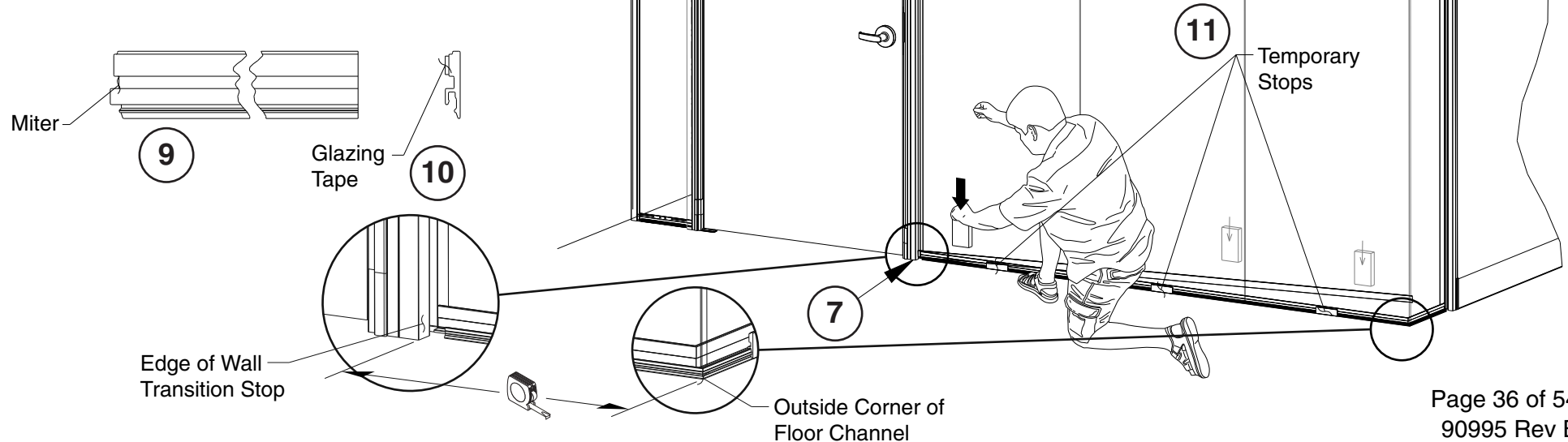
7. Repeat steps 11 thru 14 from page 34 to install transition stop.

8. Measure from edge of transition stop to outside corner of floor channel.

9. Determine which end will be mitered then cut floor stop to dimension. Use a file to remove burrs.

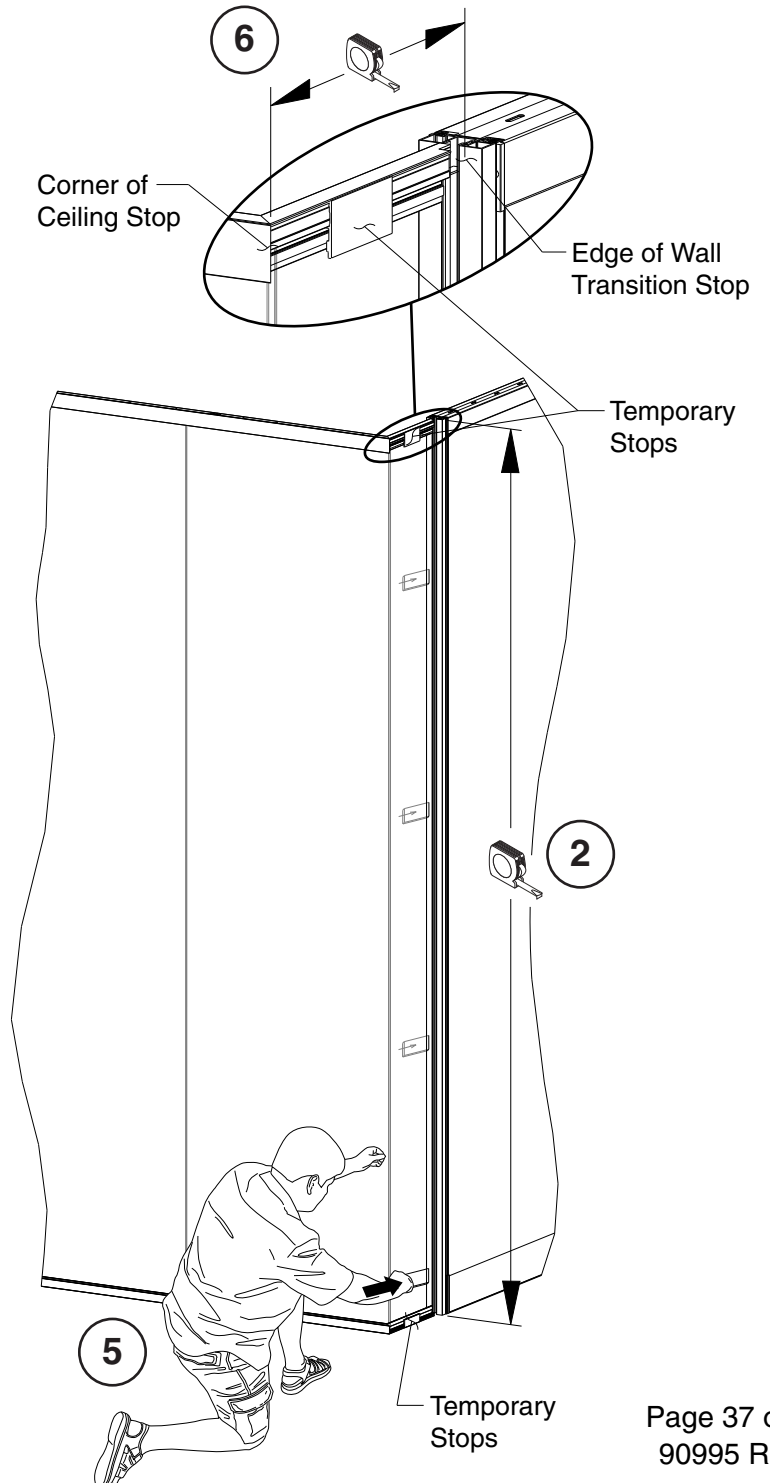
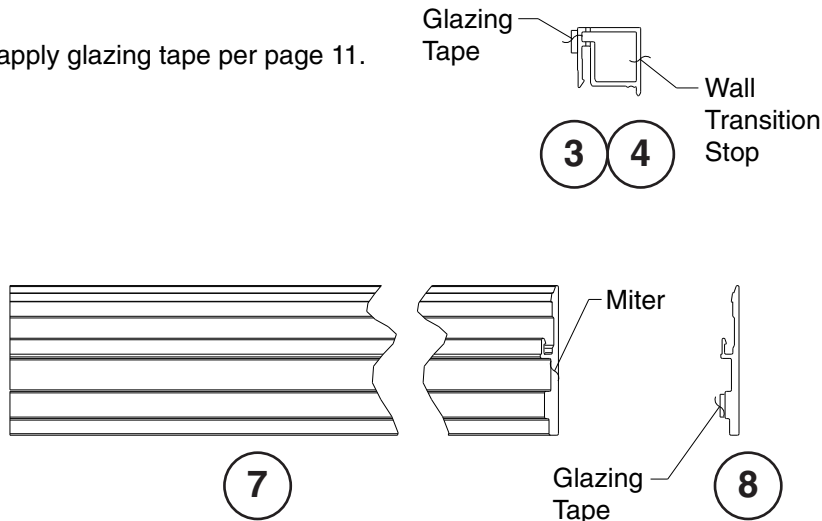
10. Clean surface and apply glazing tape per page 11.

11. Removes the temporary stops. Install the permanent stop with block.



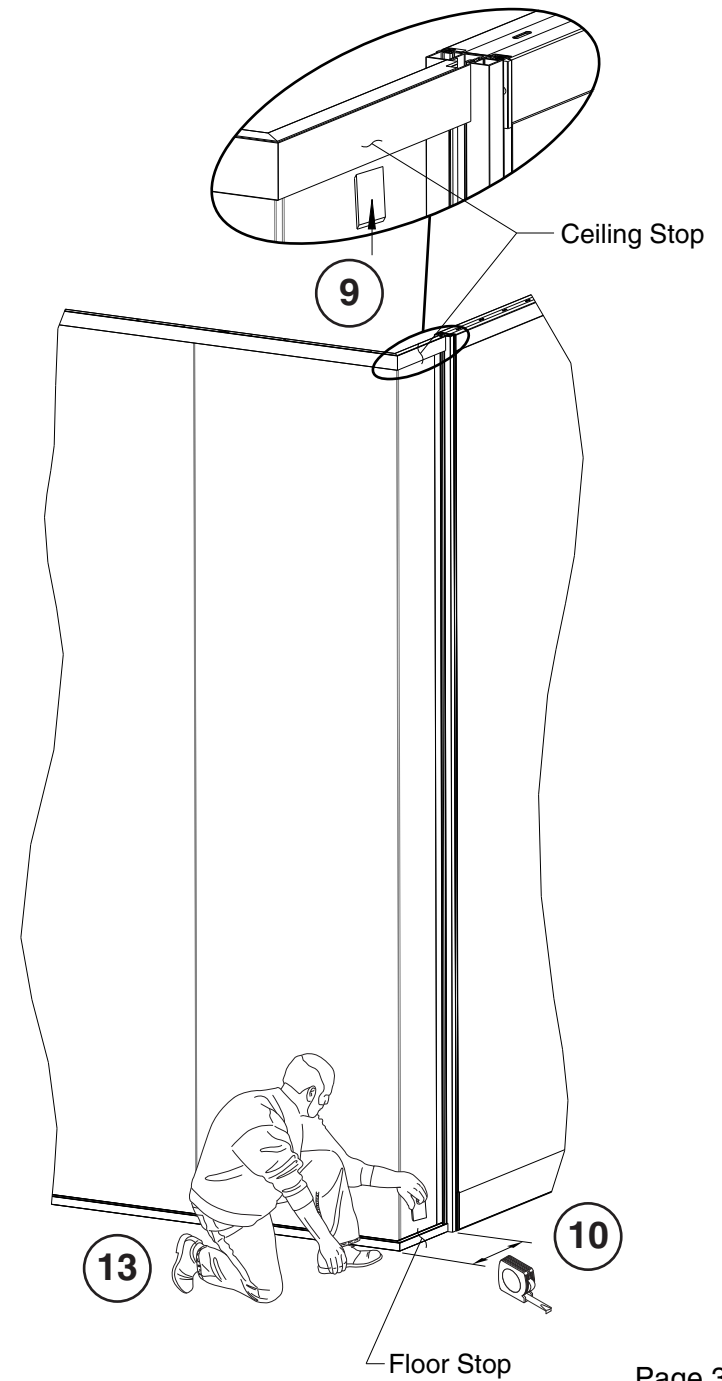
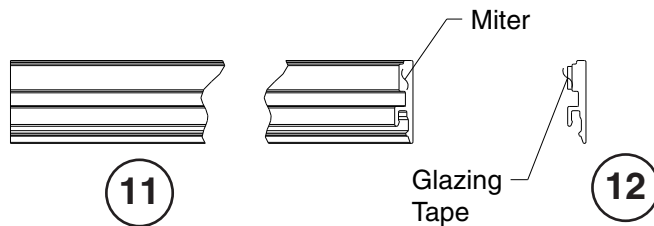
Lite Scale Glazing (LSG) - Privacy Wall/Glass Selections (PW/GS) Installation Example - LSG PW/GS Swing Door - Installing Corner Glass

1. Install glass. Refer to page 14 for Prepping Glass to Install and Page 16 for Installing Glass Next to Glass.
2. Measure from edge of ceiling to floor near wall transition.
3. Cut wall transition stop to dimension. Use a file to remove burrs.
4. Clean surface and apply glazing tape per page 11.
5. Install wall transition stop using block and mallet.
6. Measure from edge of wall transition stop to outside corner of ceiling channel.
7. Determine which end will be mitered then cut ceiling stop to dimension. Use a file to remove burrs.
8. Clean surface and apply glazing tape per page 11.



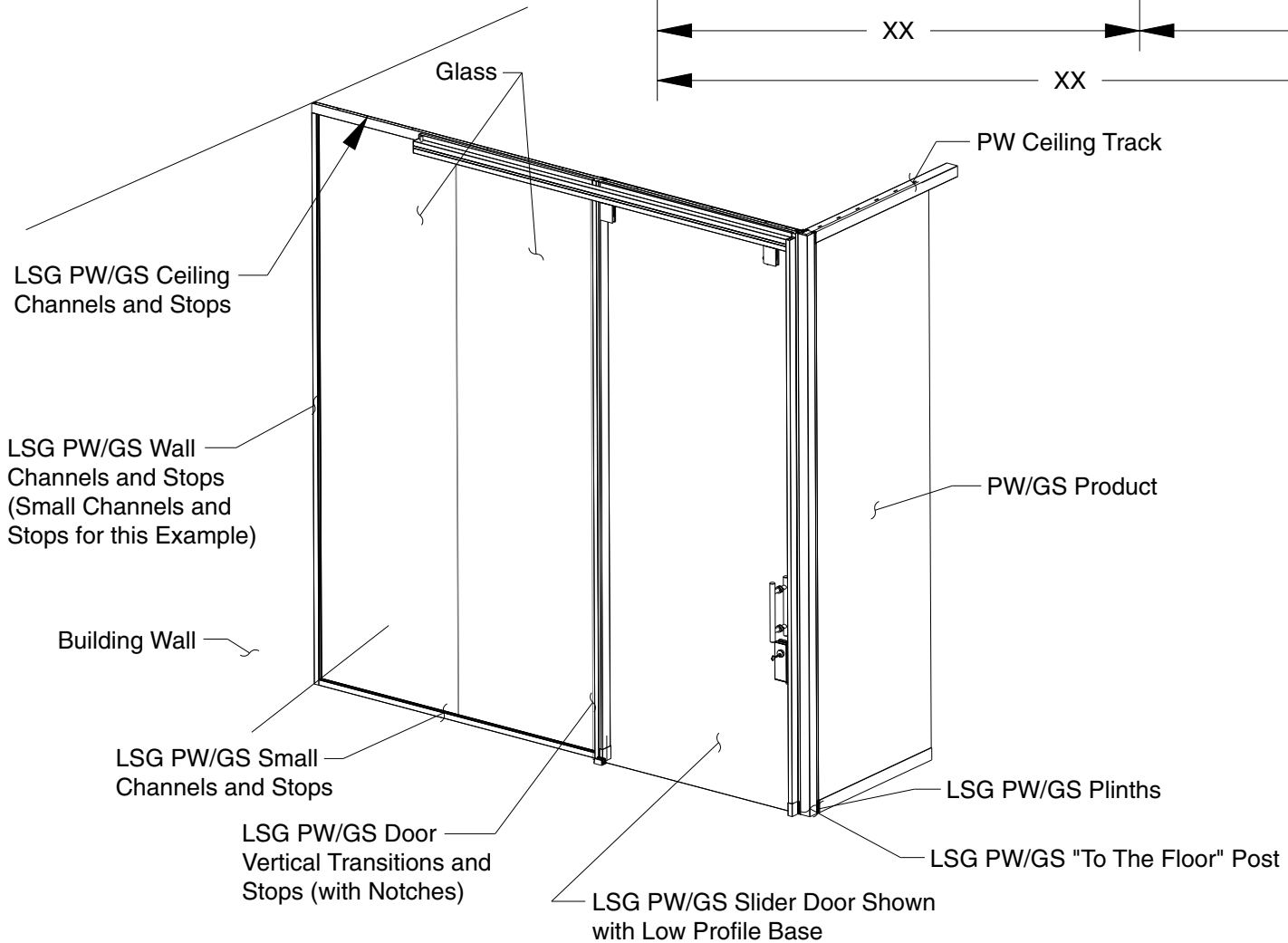
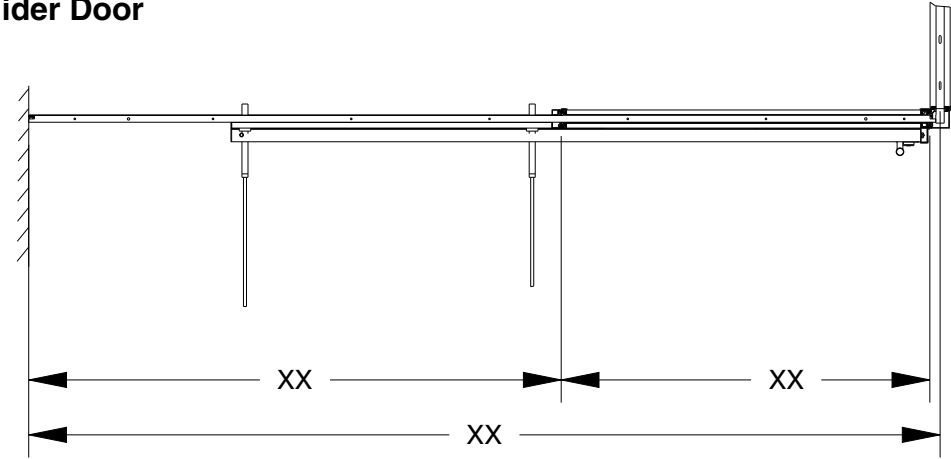
Lite Scale Glazing (LSG) - Privacy Wall/Glass Selections (PW/GS) Installation Example - LSG PW/GS Swing Door - Installing Corner Glass (Continued)

9. Removes the temporary stops. Install the permanent ceiling stop with block.
10. Measure edge of wall transition stop to outside corner of floor channel.
11. Determine which end will be mitered then cut floor stop to dimension. Use a file to remove burrs.
12. Clean surface and apply glazing tape per page 11.
13. Removes the temporary stops. Install the permanent stop with block.



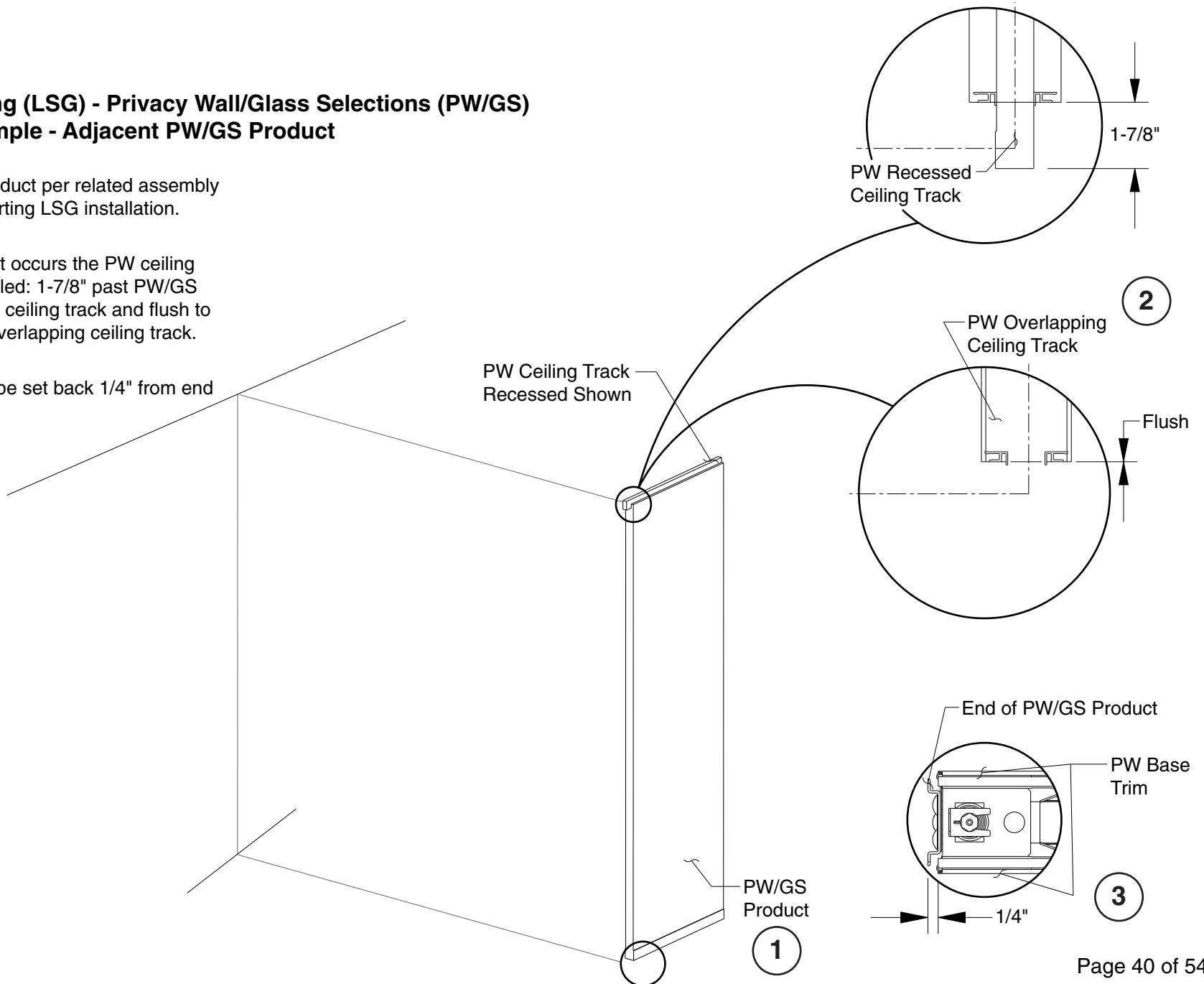
**Lite Scale Glazing (LSG) - Privacy Wall/Glass Selections (PW/GS)
 Installation Example - LSG PW/GS Slider Door
 - Overview of Completed Install**

Refer to layout drawing to determine product location, design intent & dimensions.



Lite Scale Glazing (LSG) - Privacy Wall/Glass Selections (PW/GS) Installation Example - Adjacent PW/GS Product

1. Install PW/GS product per related assembly directions prior to starting LSG installation.
2. Where a LSG post occurs the PW ceiling track should be installed: 1-7/8" past PW/GS product, for recessed ceiling track and flush to PW/GS product for overlapping ceiling track.
3. Base trim should be set back 1/4" from end of PW/GS product.



Lite Scale Glazing (LSG) - Privacy Wall/Glass Selections (PW/GS) Installation Example - LSG Ceiling Track

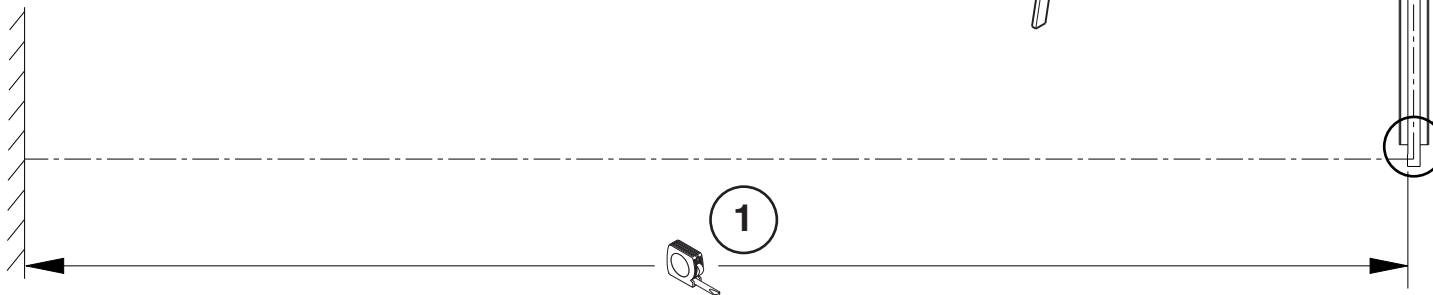
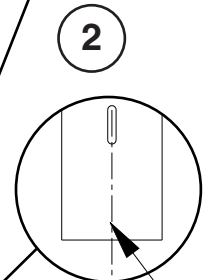
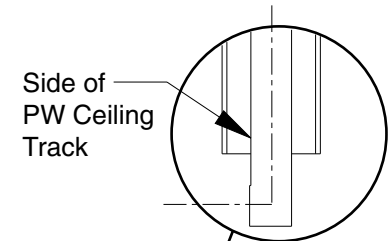
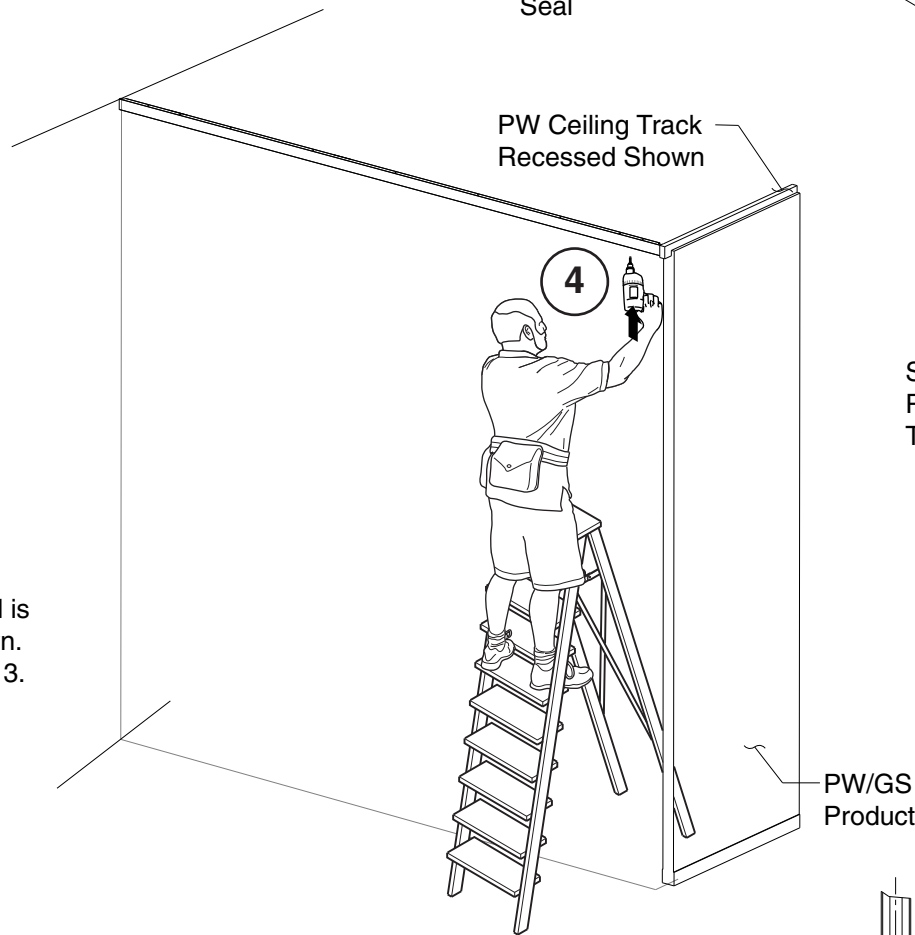
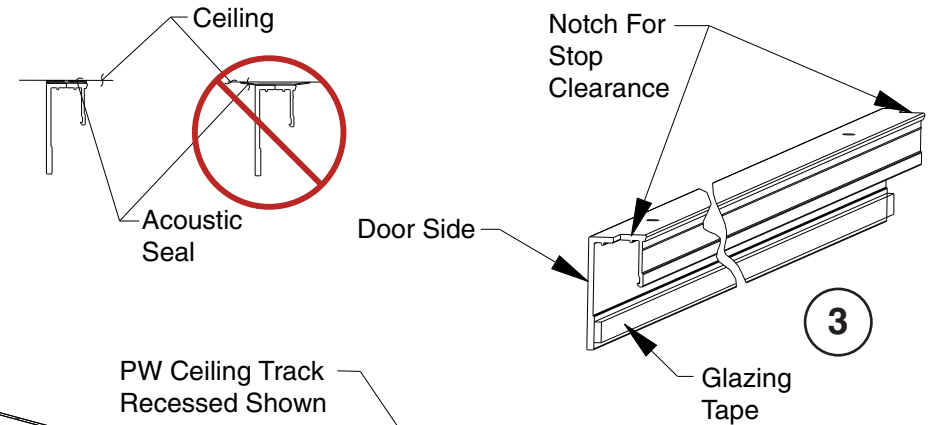
1. See page 4 regarding ceiling mounting condition and methods. Use method suggested on page 4 to mark center lines of ceiling channels to ceiling.

2. A) For PW recessed ceiling track, measure from edge of PW recessed ceiling track to building wall. B) For PW overlapping ceiling track, measure from the centerline of the overlapping ceiling track to the building wall.

3. NOTE: The orientation of the LSG slider door determines orientation of LSG ceiling channel. Cut ceiling channel to dimension and refer to page 10 to prep ceiling channel for mounting.

4. Install the ceiling channel. NOTE: If acoustic seal is present take care to apply so seal flaps are as shown. Also, add light and sound seal if required per page 13.

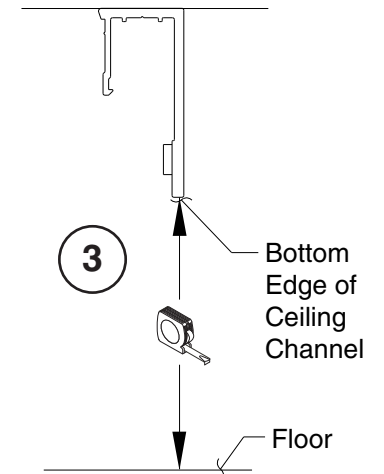
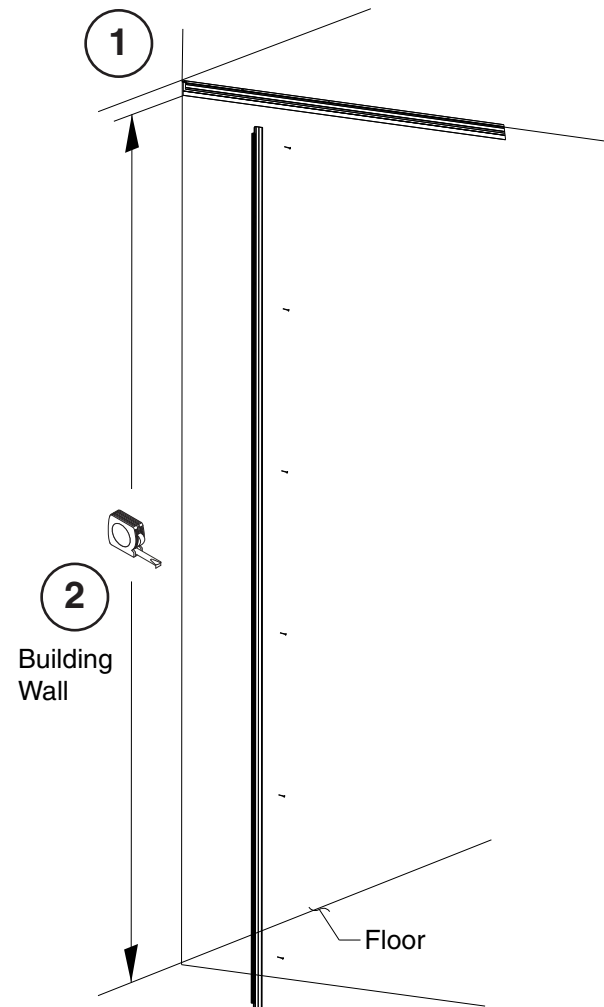
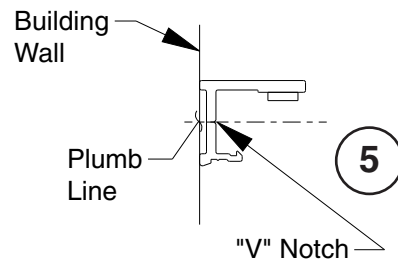
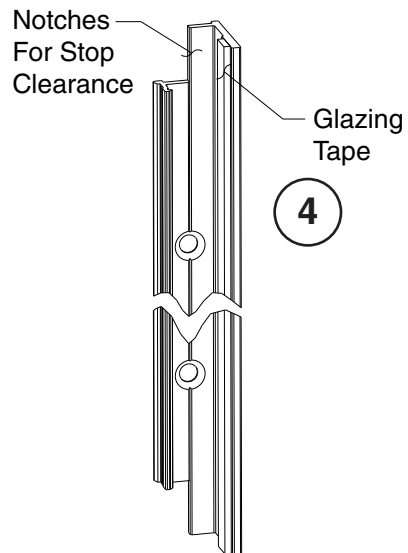
NOTE: It will be required to use 2 or more pieces of ceiling track for longer runs.



Lite Scale Glazing (LSG) - Privacy Wall/Glass Selections (PW/GS) Installation Example - LSG PW/GS Slider Door - Wall Channel

The small channel is used in this example.

1. Transfer a plumb line from ceiling layout centerline to floor.
2. Measure from bottom edge of ceiling track to the floor at the building wall where wall channel will be installed.
3. Cut wall channel to dimension. Use file to remove burrs.
4. Refer to page 10 to prep wall channel for mounting.
5. Align the "V" notch with the plumb line and mount wall channel to wall.

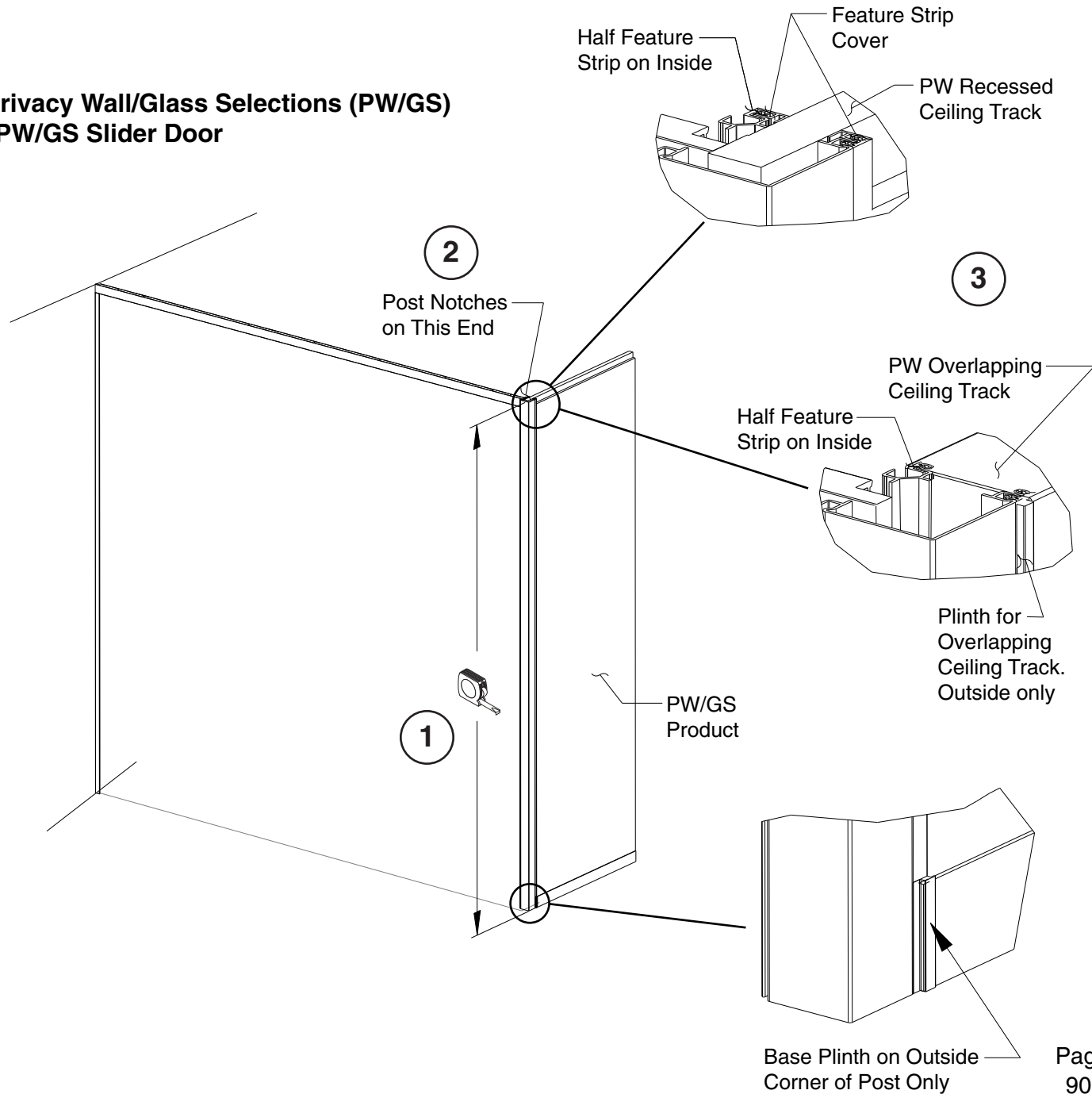


Lite Scale Glazing (LSG) - Privacy Wall/Glass Selections (PW/GS) Installation Example - LSG PW/GS Slider Door - Install Post

1. Measure from the ceiling to the floor.

2. Cut the LSG to the floor post to dimension. Cut the end without notches. Use a file to remove burrs.

3. Repeat steps from page 21 and 22. Applying plinths to outside corner of post only.

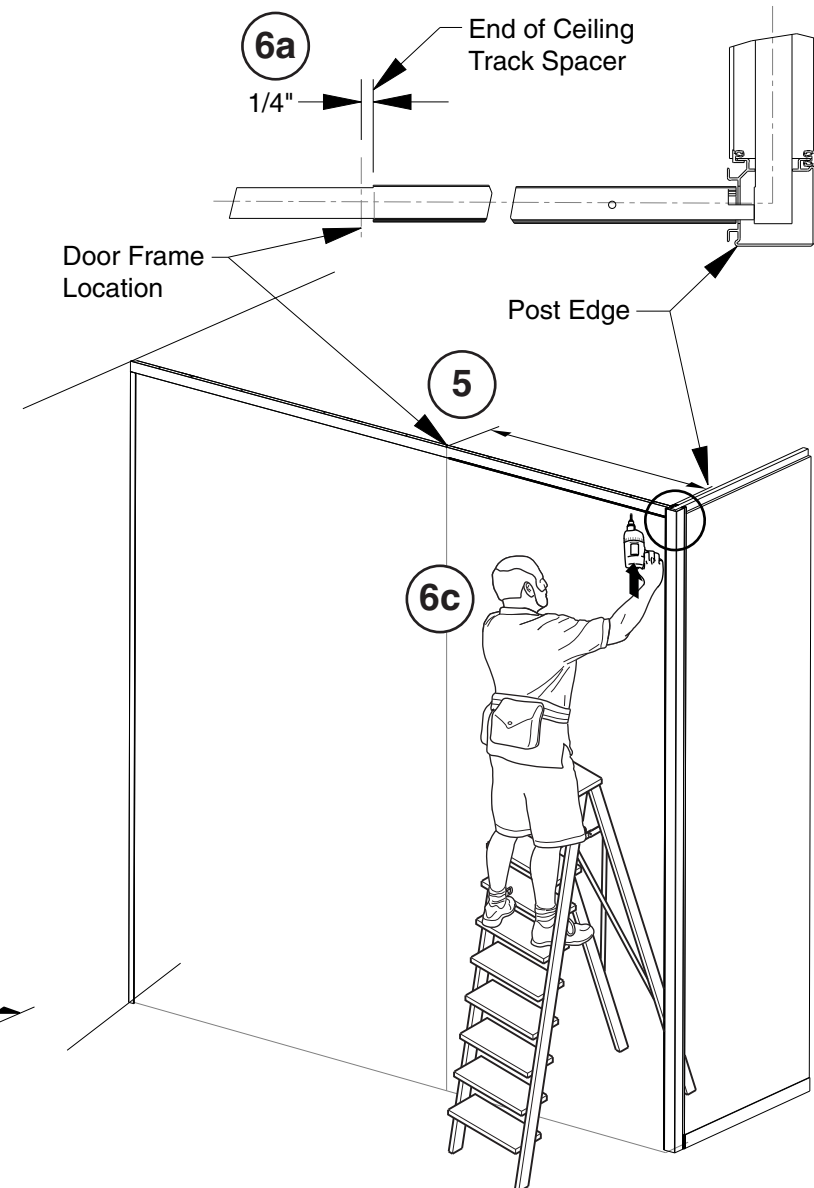
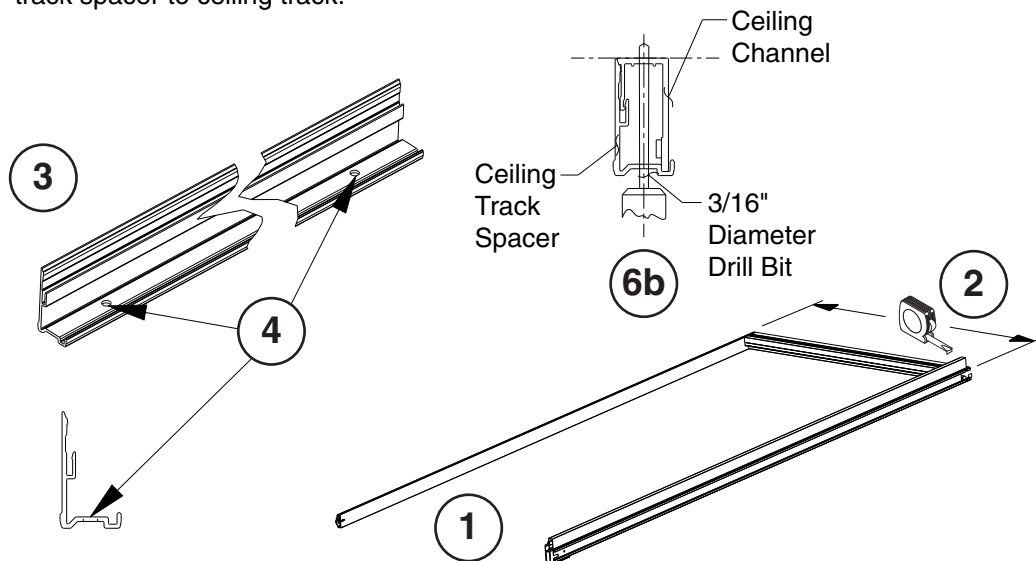


Standard PW/GS slider door Assembly Directions:

1076427001 - Privacy Wall Glass Selections
Polished Edge Slider Door with Self-Assist Closers

Lite Scale Glazing (LSG) - Privacy Wall/Glass Selections (PW/GS) Installation Example - LSG PW/GS Slider Door - Install

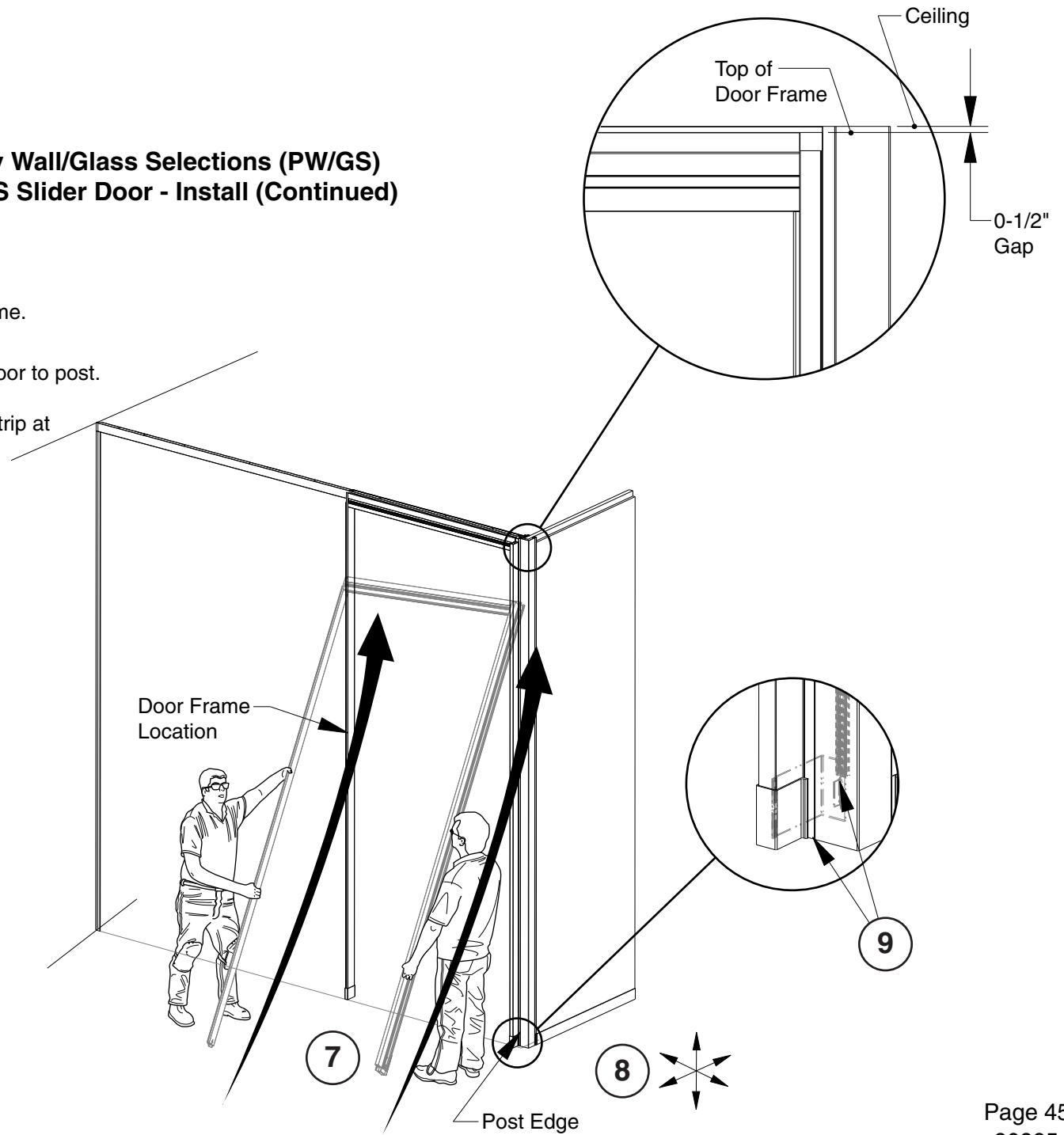
1. Use appropriate assemble directions to assemble standard slider door frame along with the following steps.
2. Measure door frame width.
3. Cut ceiling track spacer to dimension. Use a file to remove burrs.
4. Drill a 1/4" diameter hole approximately 2" from both ends.
5. Mark the location of the door frame width from the edge of the post.
6. A) Position the end of the ceiling track spacer 1/4" from the door frame mark toward the post. B) With a 3/16" diameter drill bit, drill holes into ceiling track through the pilot holes in ceiling track spacer. C) Using a # 10 Screw long enough to reach blocking, attach ceiling track spacer to ceiling track.



Lite Scale Glazing (LSG) - Privacy Wall/Glass Selections (PW/GS) Installation Example - LSG PW/GS Slider Door - Install (Continued)

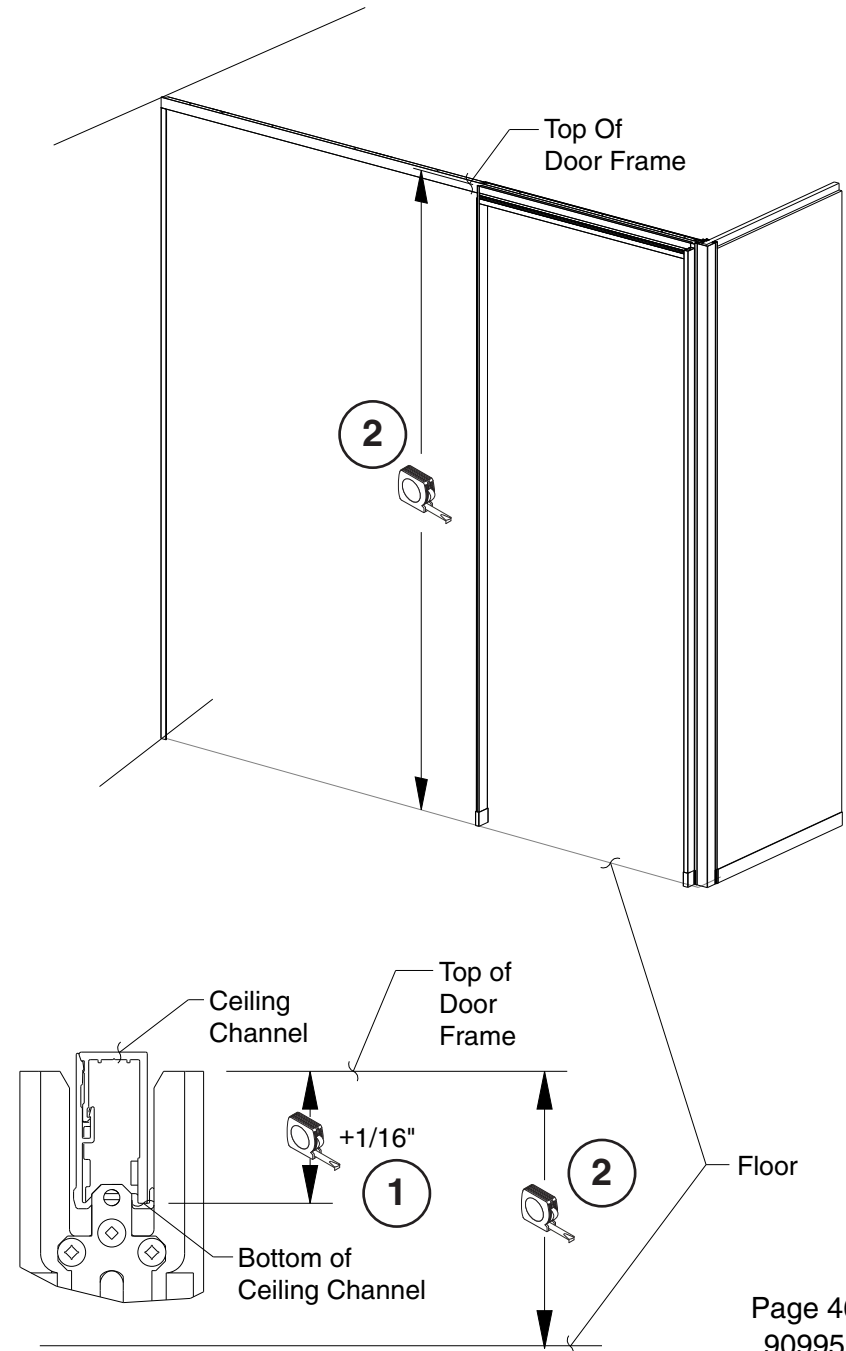
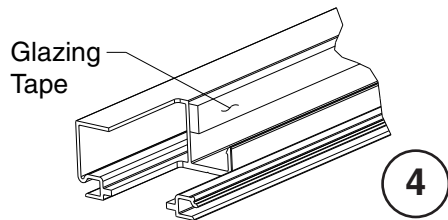
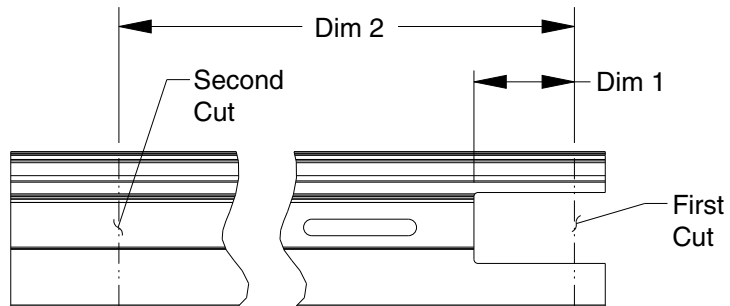
7. Insert door frame into position.
8. Set the position, level & plumb door frame.
9. Use full length feature strips to attach door to post.

NOTE: It may be require to notch feature strip at base plinth area.



Lite Scale Glazing (LSG) - Privacy Wall/Glass Selections (PW/GS) Installation Example - LSG PW/GS Slider Door - Door Transition Verticals

1. Measure from top of door frame to bottom of ceiling track spacer, add a 1/16".
2. Measure from top of door frame to floor.
3. Determine correct handed door transition vertical and mark dimension 1 from bottom of notch. Make the first cut. Now mark dimension 2 from the first cut to the other end. Make second cut. Use a file to remove burrs from both cuts.
4. Clean surface and apply glazing tape per page 11.

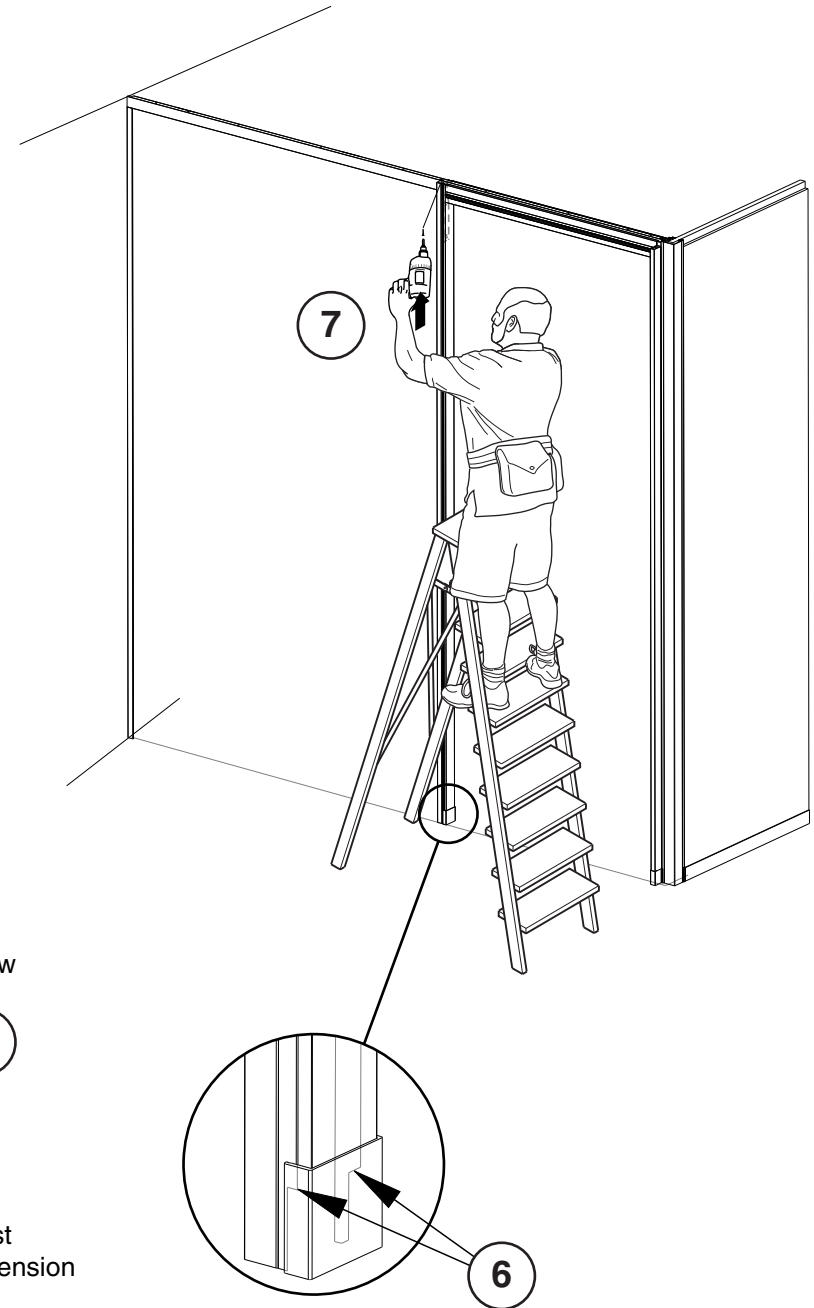
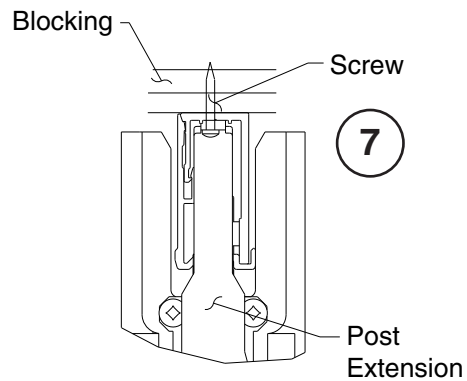
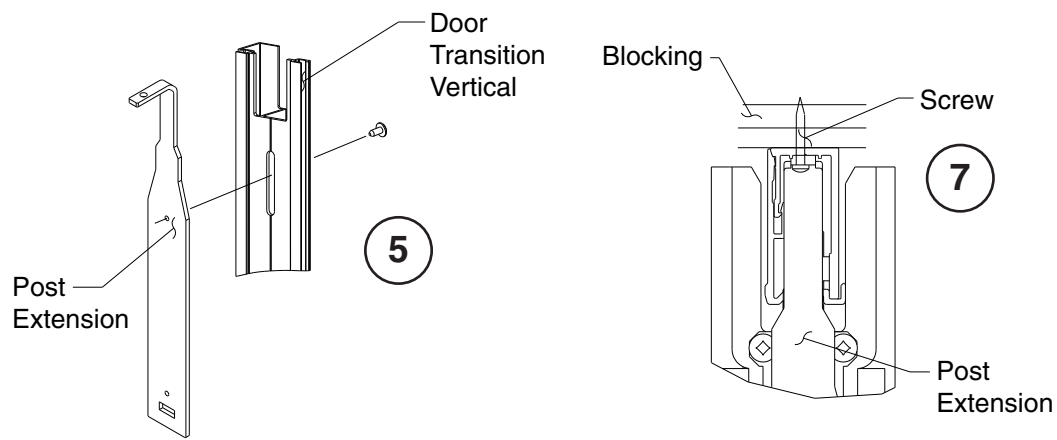


Lite Scale Glazing (LSG) - Privacy Wall/Glass Selections (PW/GS) Installation Example - LSG PW/GS Slider Door - Door Transition Verticals (Continued)

5. Attach post extension bracket with screw. Tighten screw so that post extension bracket can slide freely.

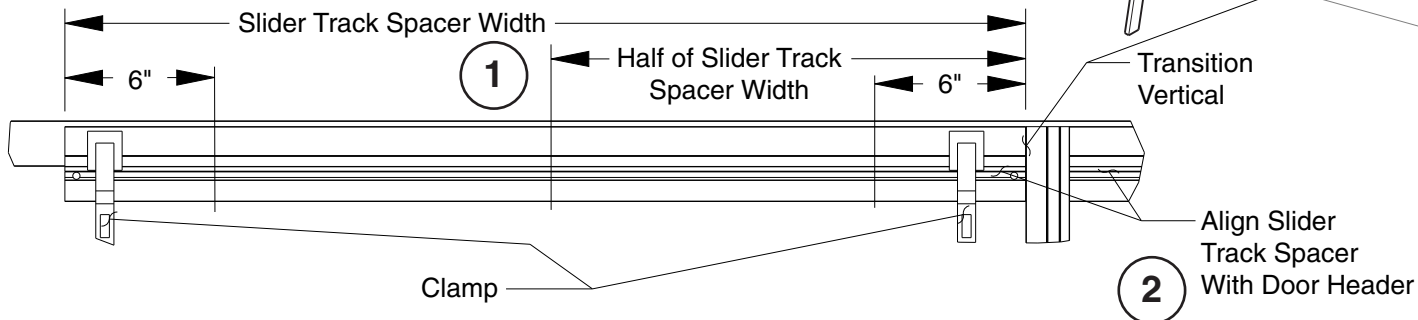
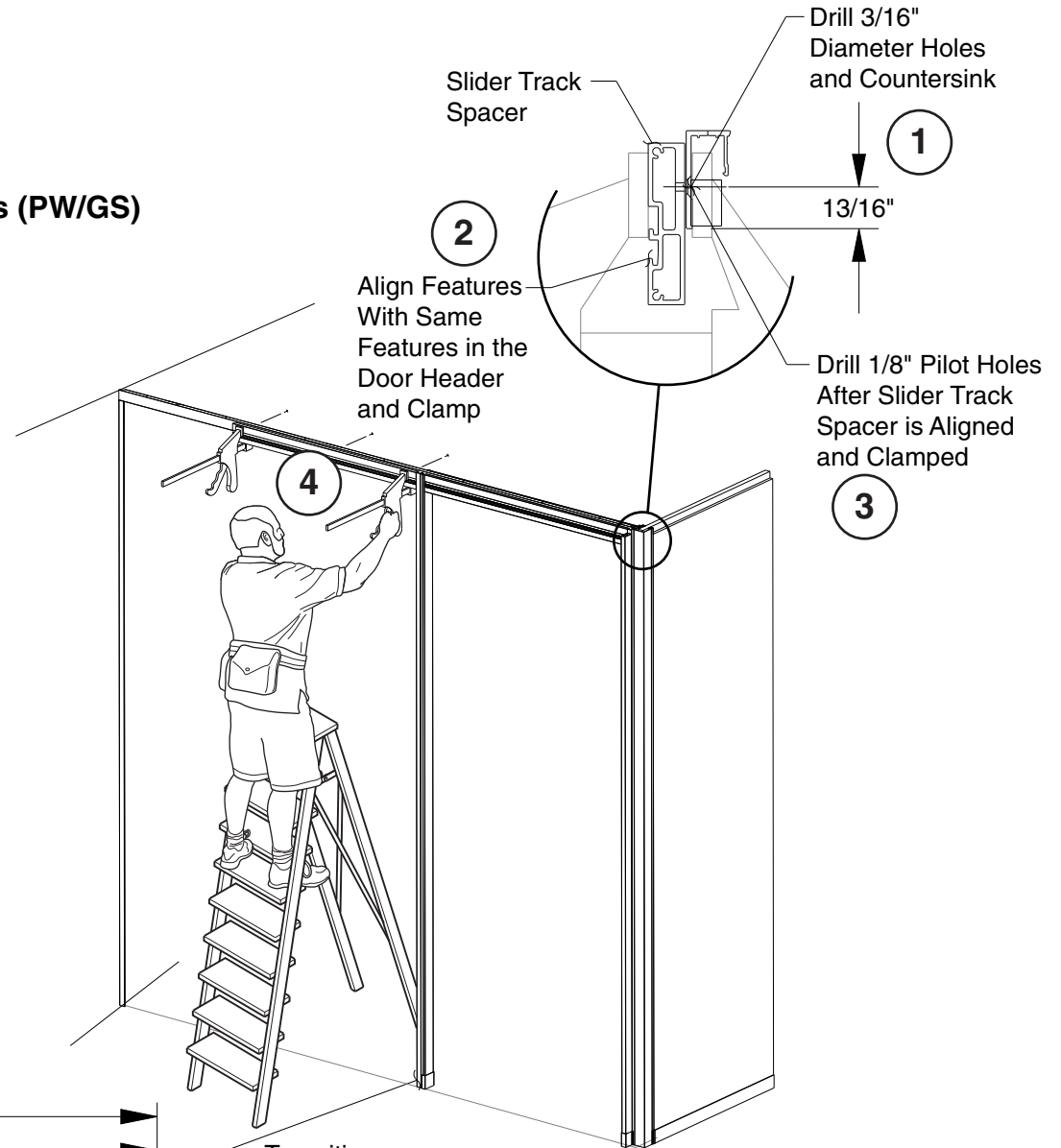
6. Install door transition vertical to door frame with feature strips cut to dimension in step 2. **NOTE:** Installer may need to notch feature strip around base plinth clip.

7. Use screw to install post extension to ceiling channel.



Lite Scale Glazing (LSG) - Privacy Wall/Glass Selections (PW/GS) Installation Example - LSG PW/GS Slider Door - Slider Track Spacer

- 1.** From the vertical transition drill three 3/16" diameter clearance holes and countersink approximately 13/16" from the bottom edge of the ceiling track to dimensions shown. Make sure countersinks are deep enough for screw head to be flush of below surface.
- 2.** Align and level the slider track spacer with the slider header and clamp in place.
- 3.** Drill three 1/8" diameter holes in same location at previous hole.
- 4.** Install three #8-15 x 5/8" long flat head screw. Remove clamps.



Lite Scale Glazing (LSG) - Privacy Wall/Glass Selections (PW/GS) Installation Example - LSG PW/GS Slider Door - Slider Track

1. Drill 3/8" diameter hole 1" from trailing end and through groove shown. (for extended slider track locate the hole from door strike to twice the door width.)

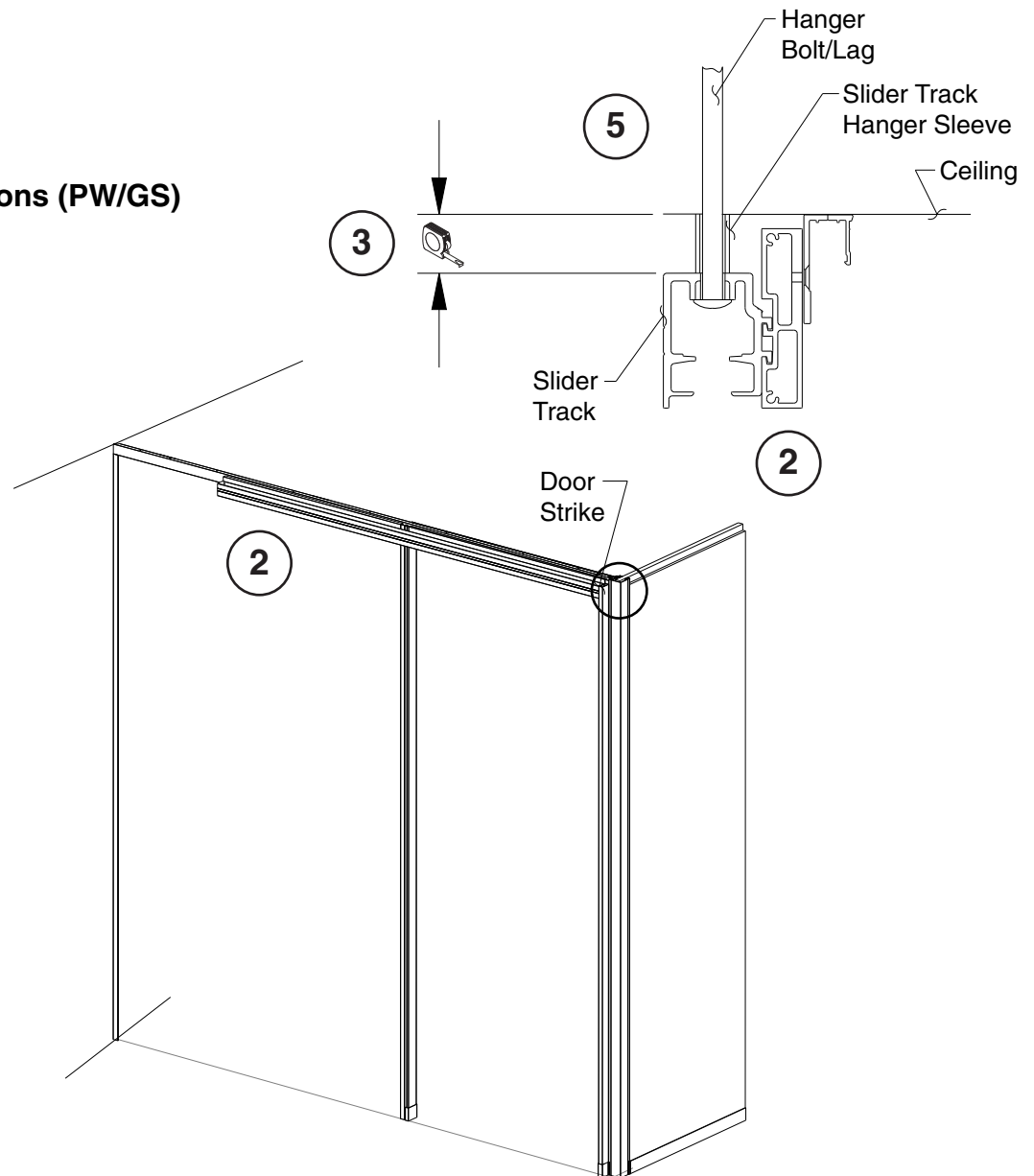
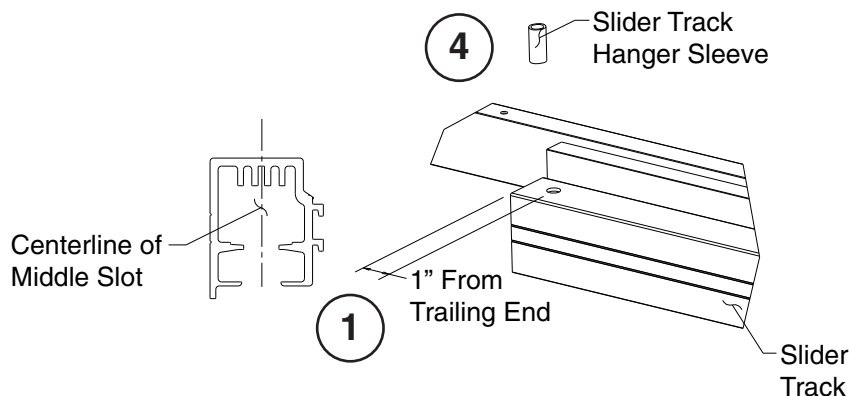
2. Assemble the slider track per standard slider assembly directions. Include the closer/roller hardware.

3. Measure the distance between ceiling and top of slider track.

4. Cut the slider track hanger sleeve to dimension. Use a file to remove burrs.

5. Install hanger bolt/lag and sleeve. Hanger bolt/lag is not supplied by Steelcase, refer to page 1.

TIP: When securing the hanger bolt/lag, make sure that the slider track stays level after connection is tightened.



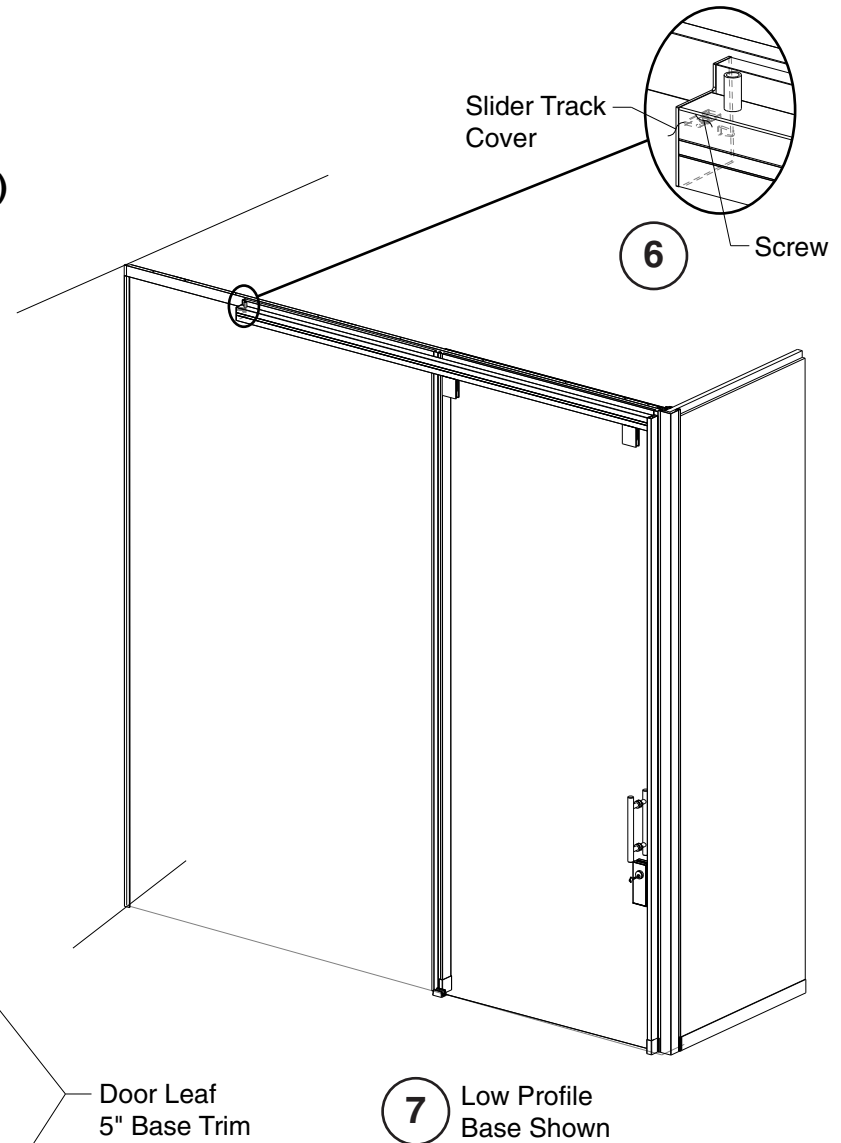
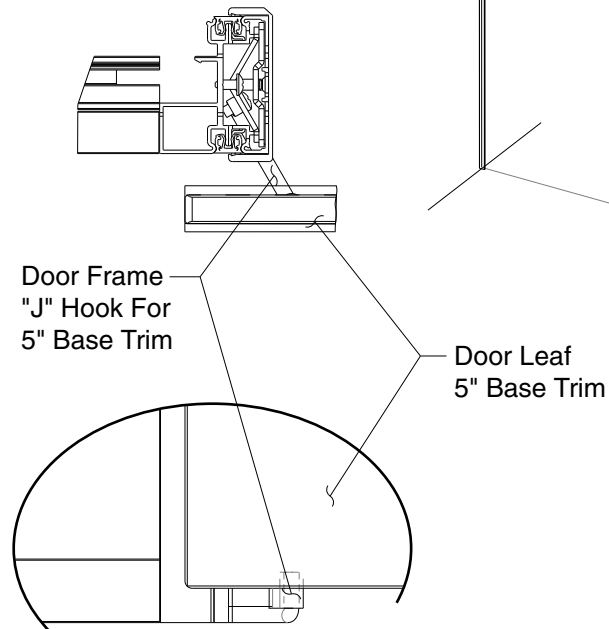
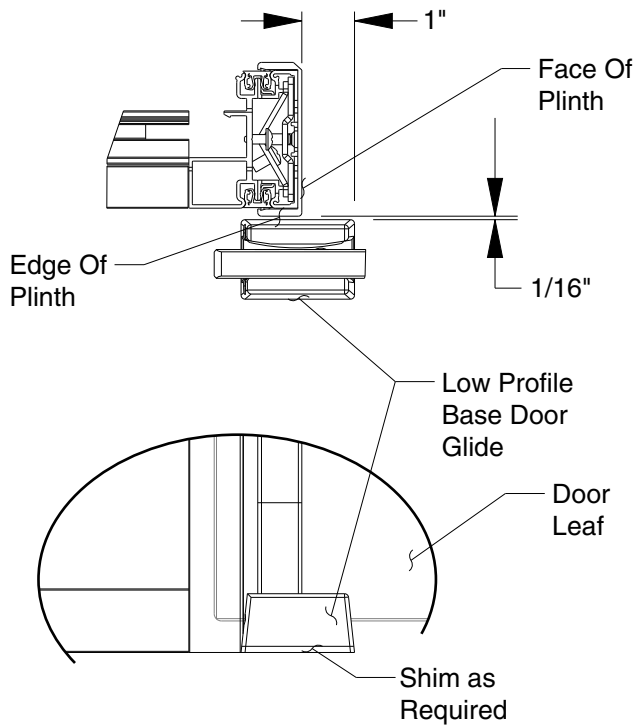
NOTE: The hanger bolt/lag is not supplied by Steelcase. Consult the General Contractor and/or Building's Engineer of Record to determine specific type and size of bolt/lag. Steelcase recommends a minimum of 5/16 diameter bolt/lag.

Lite Scale Glazing (LSG) - Privacy Wall/Glass Selections (PW/GS) Installation Example - LSG PW/GS Slider Door - Slider Track (Continued)

6. Install the slider track cover with screw.

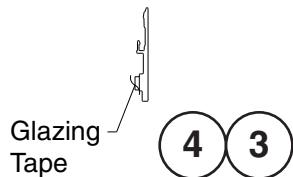
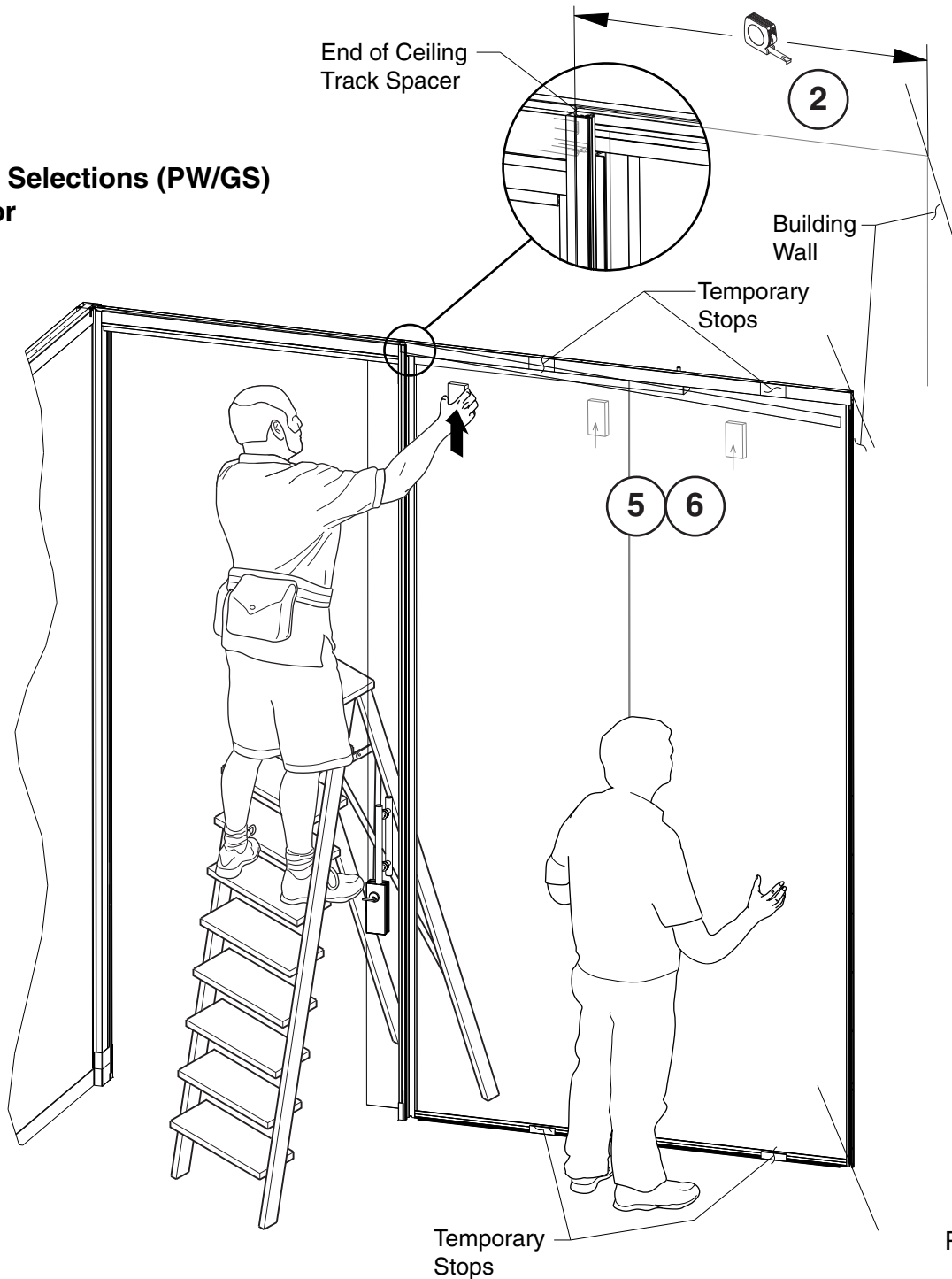
7. Assemble remaining slider door components per standard slider assembly directions.

NOTE: LSG slider has 5" base and low profile base options. See below.



Lite Scale Glazing (LSG) - Privacy Wall/Glass Selections (PW/GS) Installation Example - LSG PW/GS Slider Door - Installing Multiple Pieces of Glass

1. Install glass, Refer to page 14 for Prepping Glass to Install and Page 16 for Installing Glass Next to Glass.
2. Measure from edge of ceiling track spacer inside door header to the building wall.
3. Cut ceiling stop to dimension. Use a file to remove burrs.
4. Clean surface and apply glazing tape per page 11.
5. With installer(s) holding glass, another installer removes the temporary stops at the ceiling.
6. Install the permanent stop by inserting one end behind door frame until it contacts the ceiling track spacer then use a block to complete the install.



Lite Scale Glazing (LSG) - Privacy Wall/Glass Selections (PW/GS) Installation Example - LSG PW/GS Slider Door - Installing Multiple Pieces of Glass (Continued)

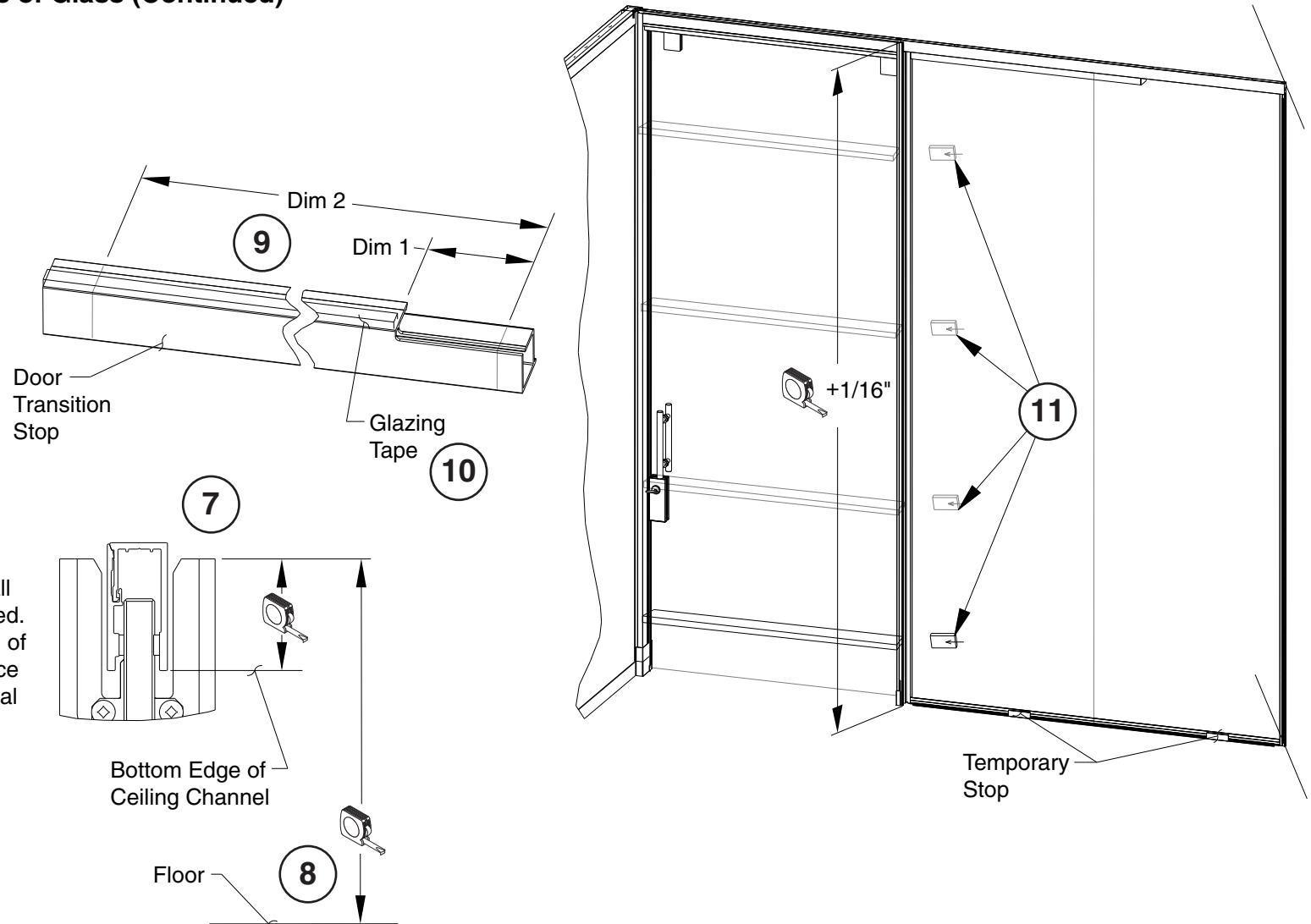
7. Measure from top of door frame to bottom of ceiling channel, add a 1/16".

8. Measure from top of door frame to floor.

9. Mark dimension 1 from bottom of notch. Make the first cut. Now mark dimension 2 from the first cut to the other end. Make second cut. Use a file to remove burrs from both cuts.

10. Clean surface and apply glazing tape per page 11.

11. Using block and mallet install transition stop with the door closed.
TIP: Use a board cut to the width of the door opening to add resistance to help assemble transition vertical and stop.



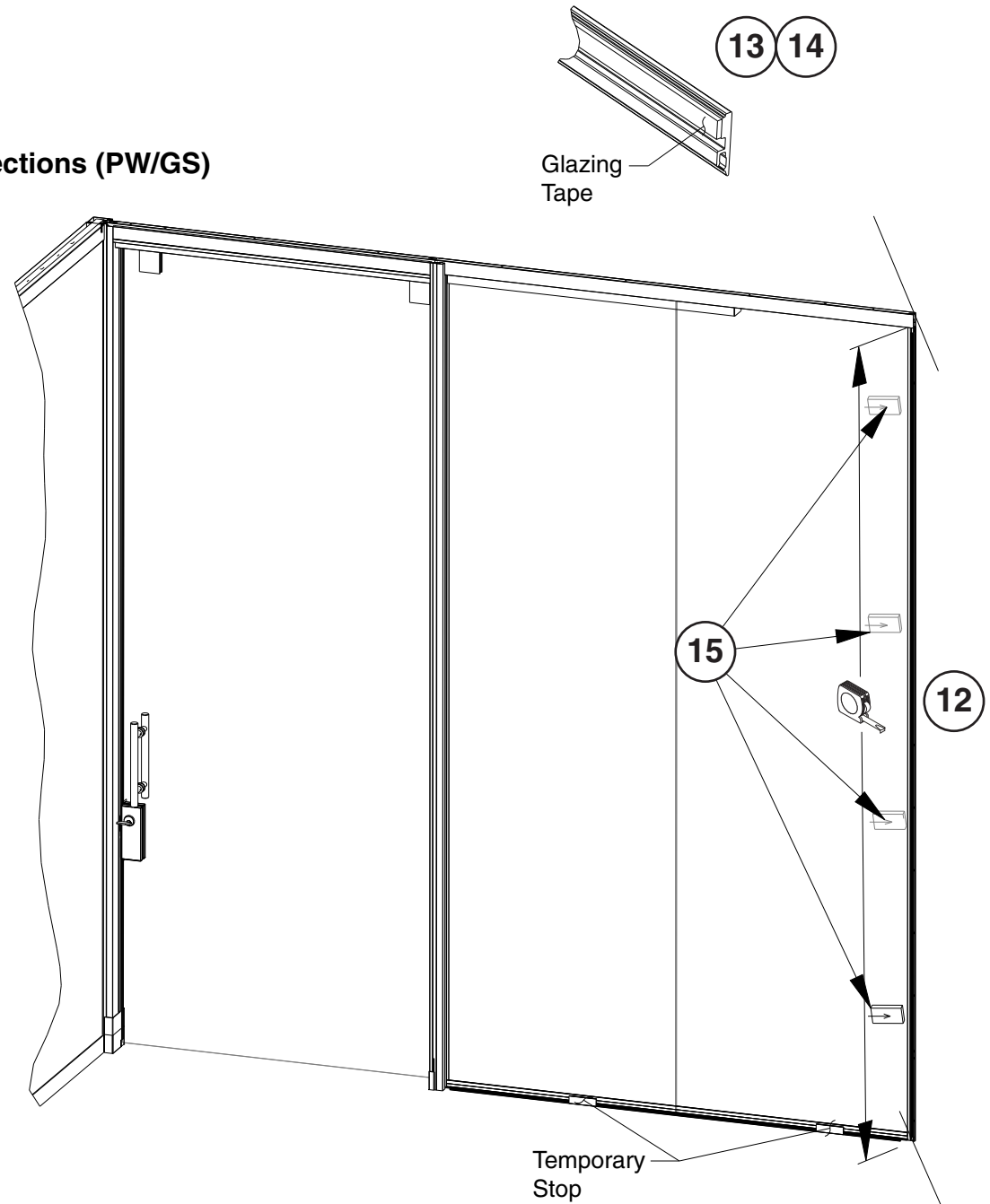
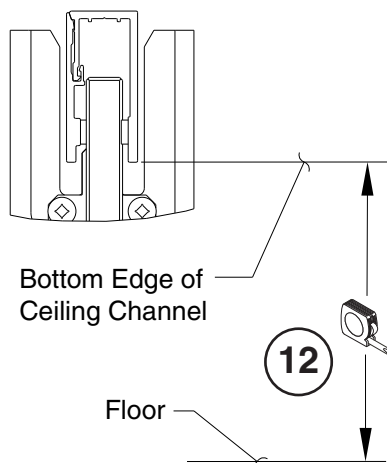
Lite Scale Glazing (LSG) - Privacy Wall/Glass Selections (PW/GS) Installation Example - LSG PW/GS Slider Door - Installing Multiple Pieces of Glass (Continued)

12. Measure from bottom edge of ceiling stop to floor near the wall.

13. Cut the wall stop to dimension (the small stop is used in this example). Use a file to remove burrs.

14. Clean surface and apply glazing tape per page 11.

15. Install the wall stop using block as shown.



Lite Scale Glazing (LSG) - Privacy Wall/Glass Selections (PW/GS) Installation Example - LSG PW/GS Slider Door - Installing Multiple Pieces of Glass (Continued)

16. Measure from edge of door transition stop to the edge of the wall stop.

17. Cut floor stop to dimension.
Use a file to remove burrs.

18. Clean surface and apply glazing tape per page 11.

19. Removes the temporary stops.
Install the permanent stop with block.

