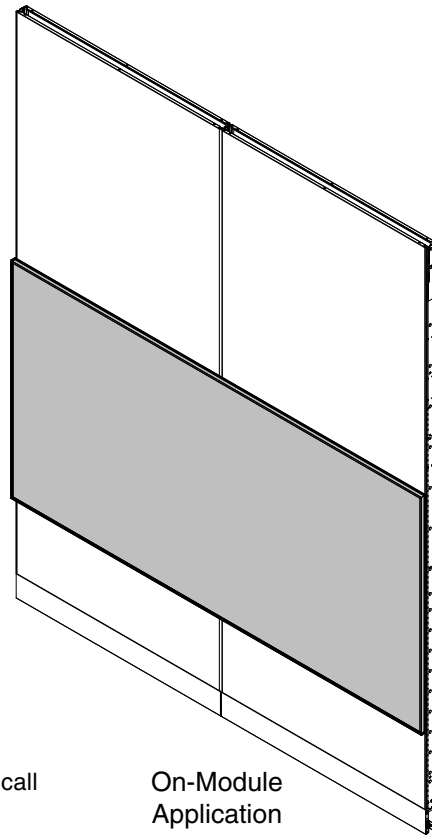
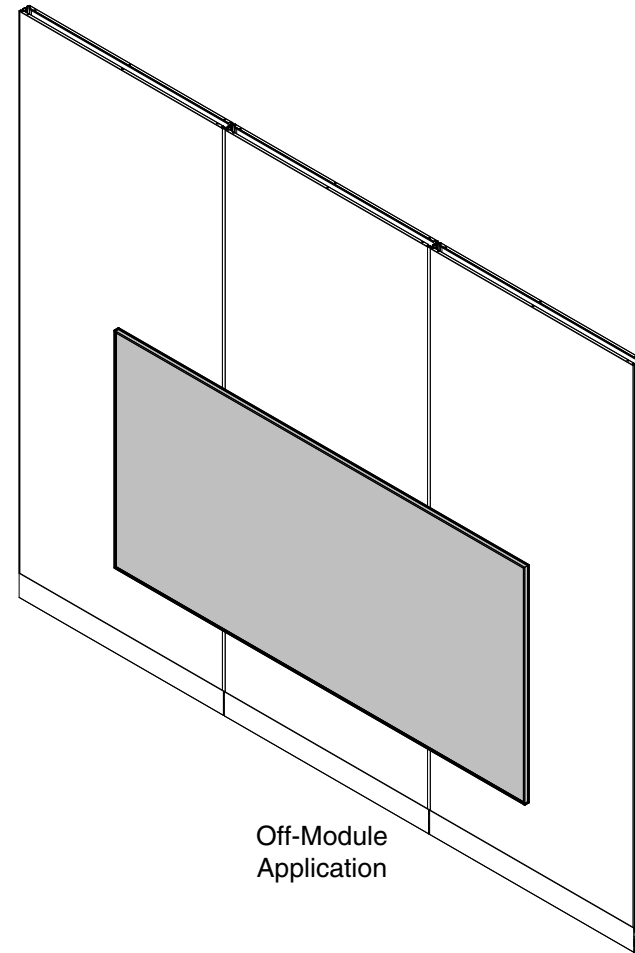


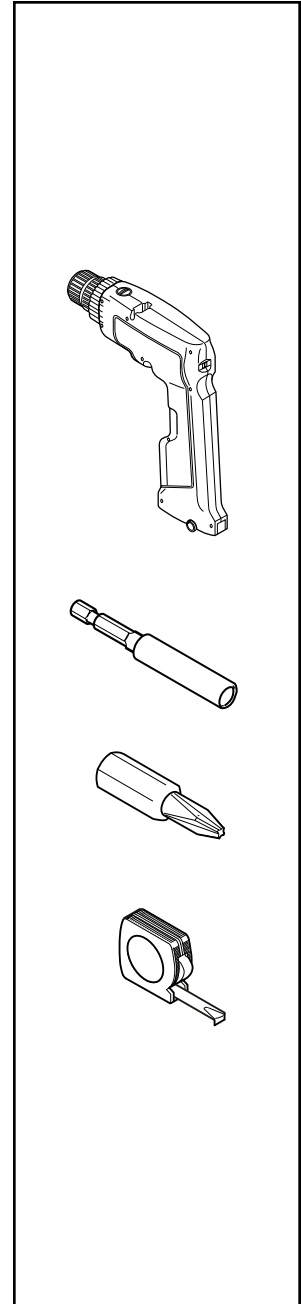
Pathways® Privacy Wall - Markerboards (On & Off Module)



On-Module Application



Off-Module Application

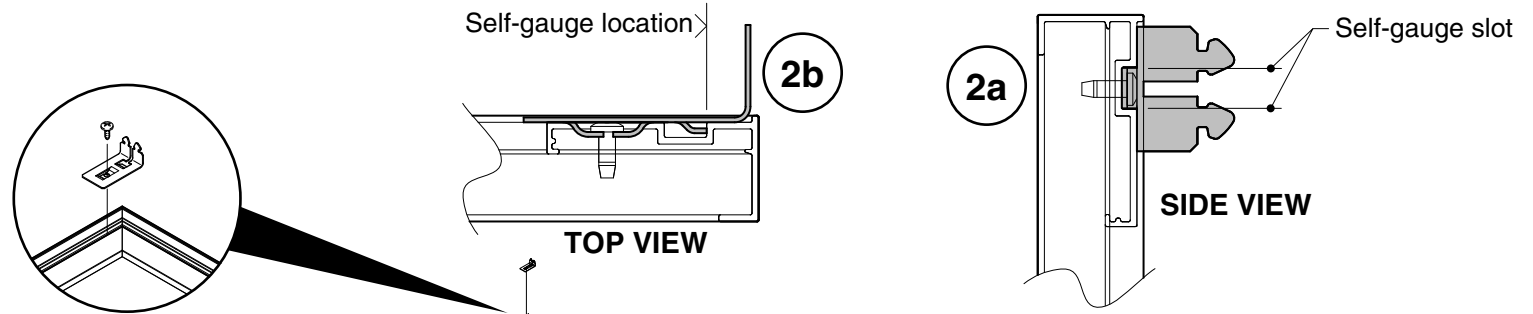


If you have a problem, question, or request, call your local dealer, or Steelcase Line 1 at **888.STEELCASE** (888.783.3522) for immediate action by people who want to help you.

(Outside the U.S.A., Canada, Mexico, Puerto Rico, and the U.S. Virgin Islands, call: 1.616.247.2500) Or visit our website: www.steelcase.com

© 2004 Steelcase Inc.
Grand Rapids, MI 49501
U.S.A.

Printed in U.S.A.



1. Place markerboard face down onto a soft material that will not scratch.

2. Position the hanger brackets into the self-gauge slot (2a).

If you are installing on-module, the hanger bracket will self-gauge the inside of the markerboard (2b). The wider sizes have a 5th hanger bracket that will be installed at the top of the markerboard, a panel width away from a hanger bracket (2c).

If you are installing off-module, the hanger brackets will be installed per the panel width (2d). The panel width needs to be at least 50% wider than the markerboard width. The hanger bracket needs to be a maximum 33% of the markerboard width from each side of the markerboard.

NOTE: The smaller width markerboards mount with magnets. Hanger brackets can be ordered as an option.

TIP: Magnets are rated for use on a painted steel surface. Rating will diminish when fabric or vinyl coverings are applied.

