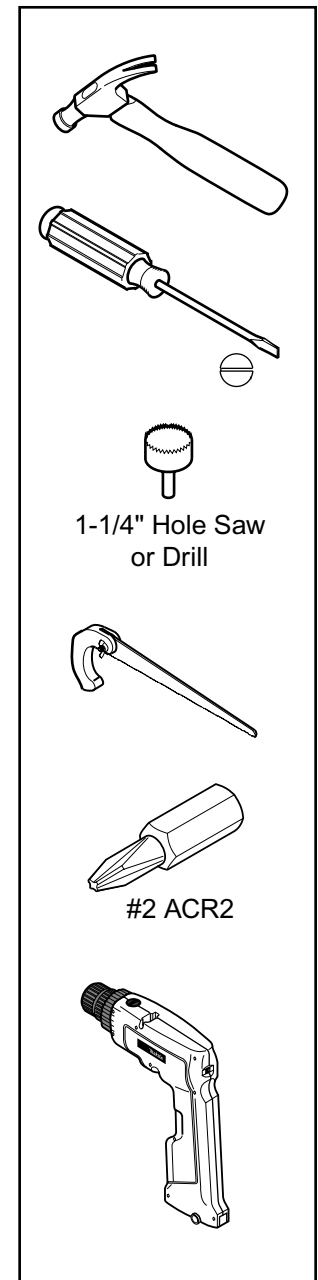
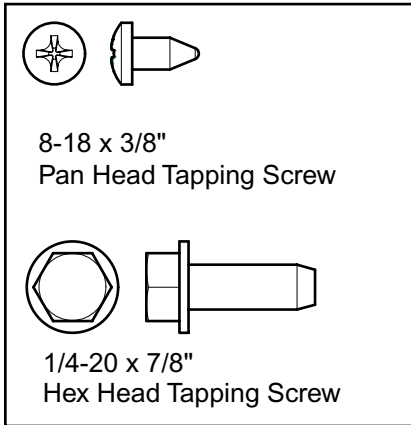
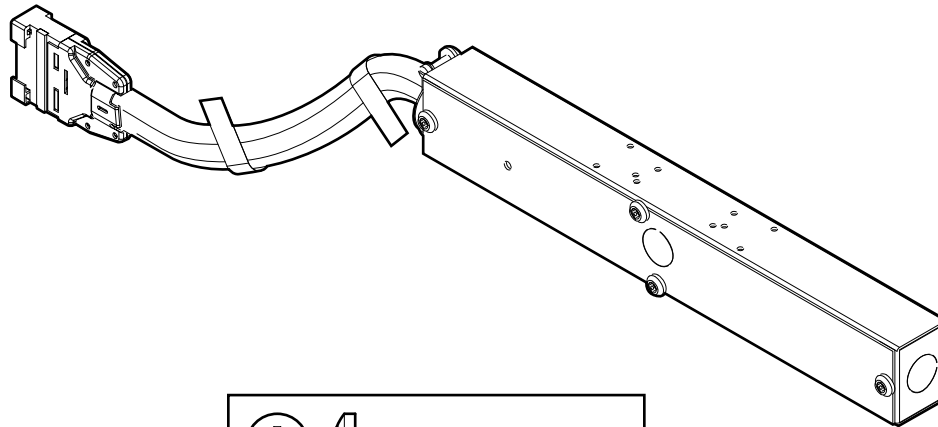


Base Power In-New York - Pathways® Privacy Wall



If you have a problem, question, or request, call your local dealer, or Steelcase Line 1 at **888.STEELCASE** (888.783.3522) for immediate action by people who want to help you. (Outside the U.S.A., Canada, Mexico, Puerto Rico, and the U.S. Virgin Islands, call: 1.616.247.2500) Or visit our website: www.steelcase.com

© 2004 Steelcase Inc.
Grand Rapids, MI 49501
U.S.A.

Printed in U.S.A.

WARNING: All electrical installations should be done by a qualified person in accordance with codes and regulations applicable at the installation site. Circuits should be checked for proper voltage. **Note Chicago Only: Must be hard wired under authority of a permit by a contractor licensed in the City of Chicago.**

NOTE: The electrician can cut conduit and wire to length if needed.

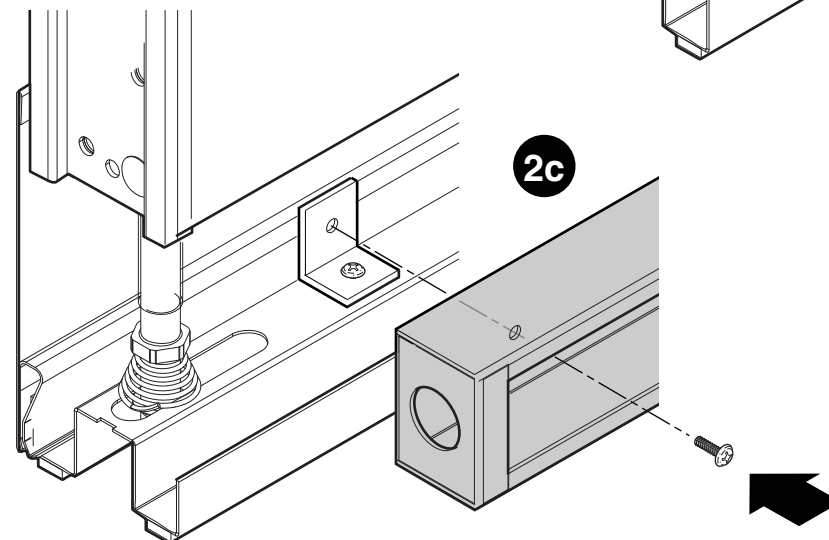
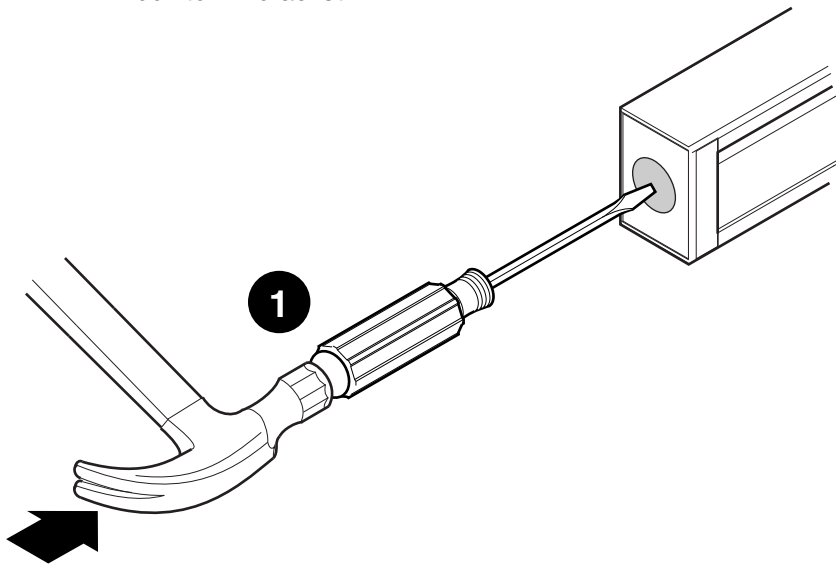
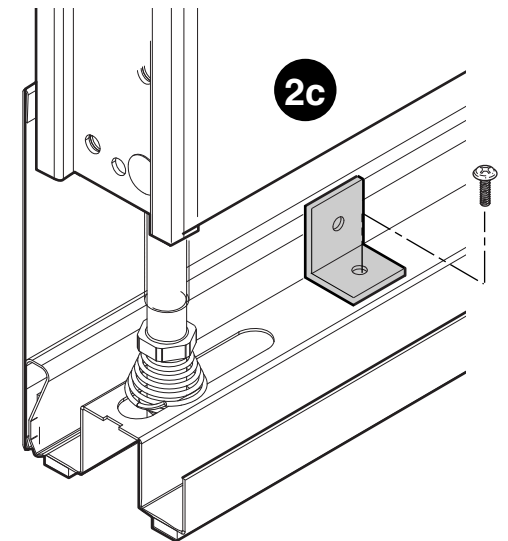
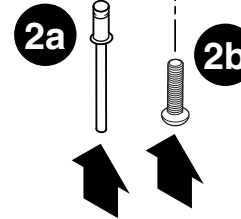
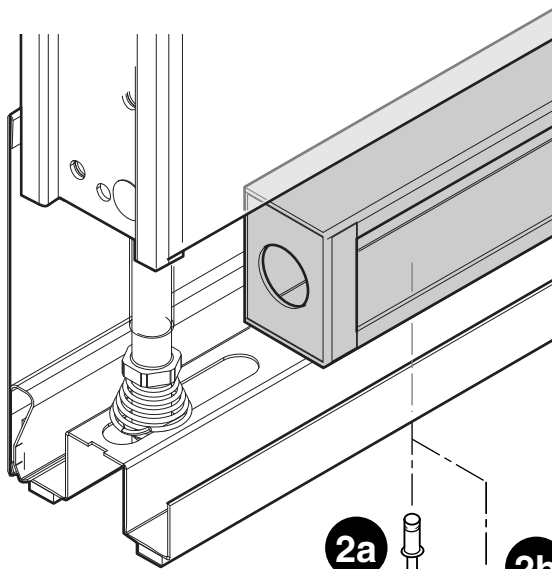
Steelcase

1. Remove desired knockouts from box and cover prior to installing box assembly.

2. Attach box to base area. Electrician to come up with mounting means.

Suggestions:

- a) Rivet box to bottom rail.
- b) Screw box to bottom rail with blunt end screws only.
- c) Or mount "L" bracket to the bottom of rail and attach back of box to "L" bracket.



3. Insert wires from harness into junction box and secure harness to junction box.

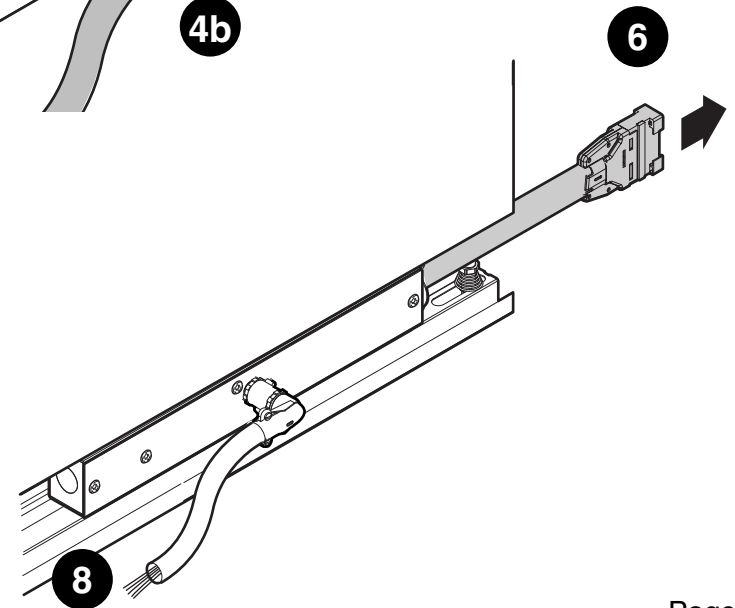
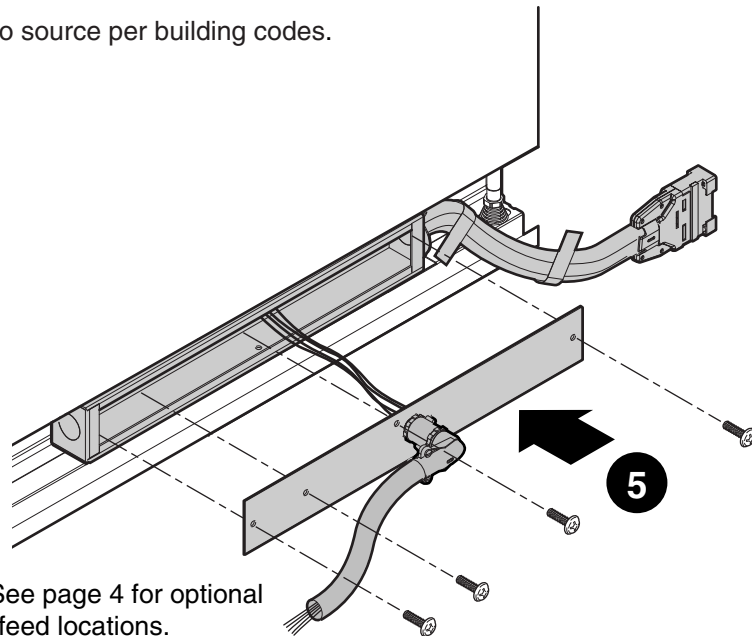
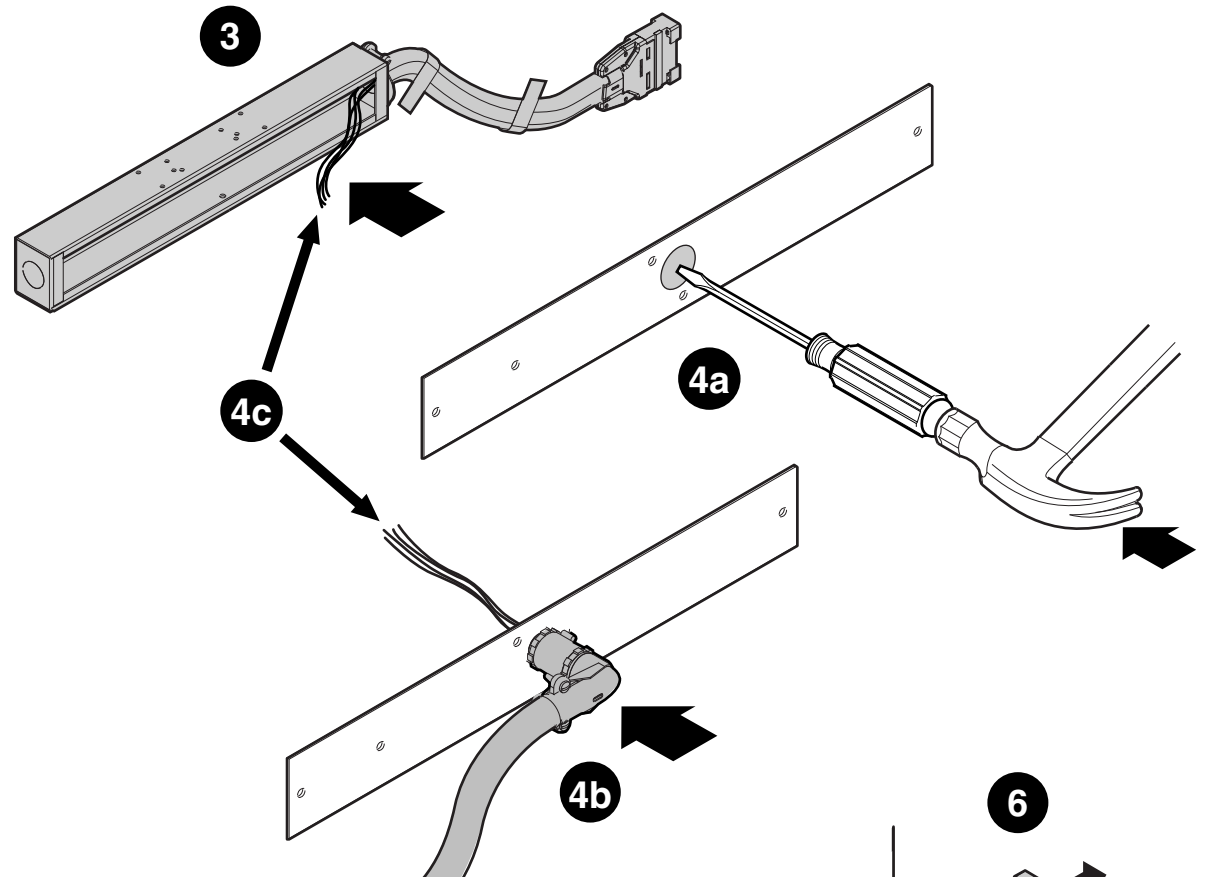
4. Make wire connections to power source. Remove knockout on cover (4a) and install base power-in (4b). Wire power in to modular harness (4c).

5. Install hardwire box cover.

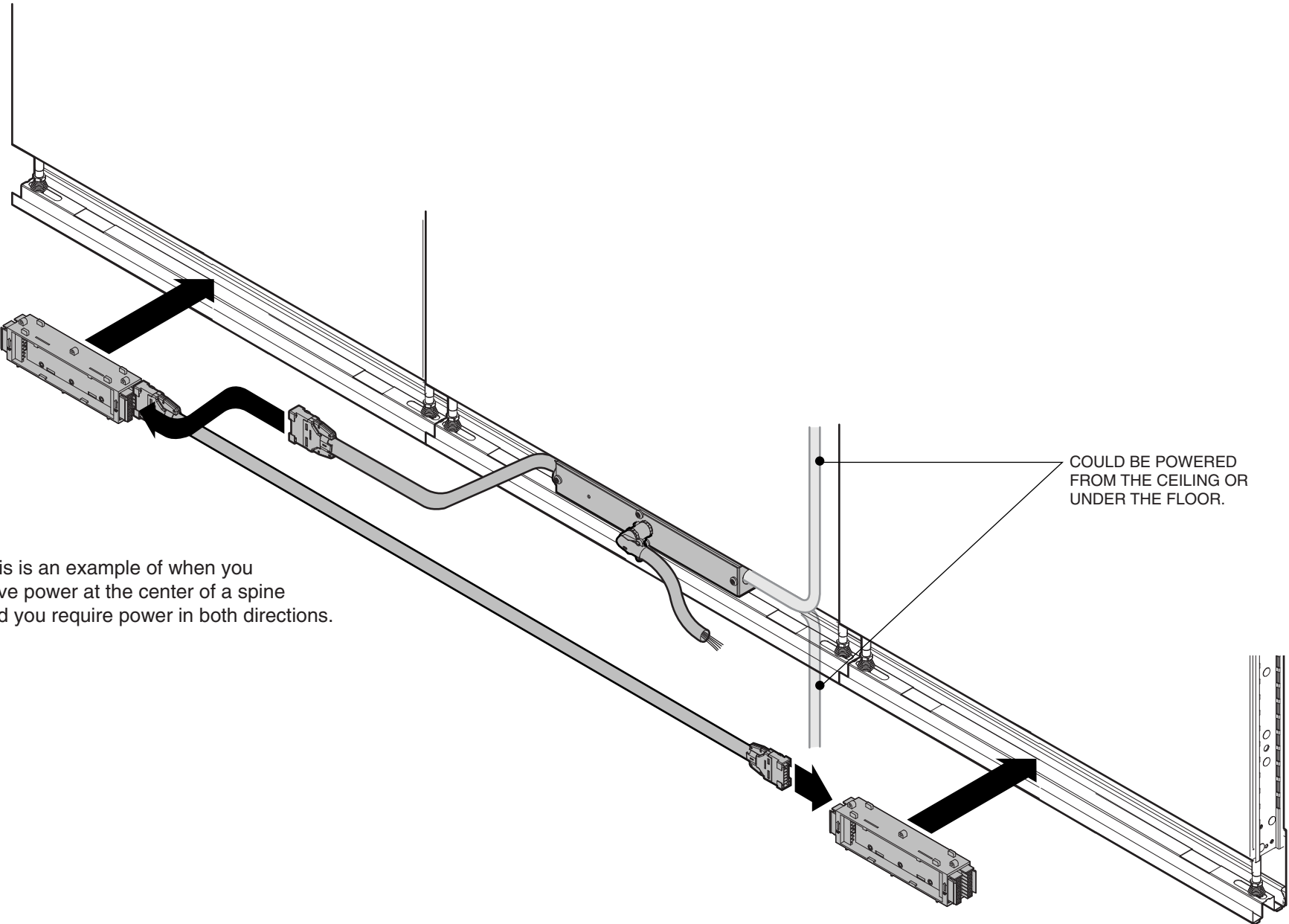
6. Attach the harness to the power block in the adjacent frame.

7. Install base trim cover through receptacle opening.

8. Wire to source per building codes.



NOTE: See page 4 for optional power in feed locations.



This is an example of when you have power at the center of a spine and you require power in both directions.

COULD BE POWERED FROM THE CEILING OR UNDER THE FLOOR.

WIRING SCHEMATICS:

ELECTRICAL DATA:

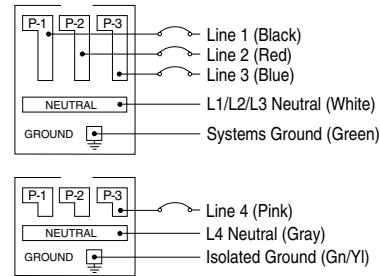
120 V 60 HZ 20 Amp USA
 120 V 60 HZ 15 Amp CANADA

Wiring schematics must be followed to prevent overloading of the neutrals.

WARNING:

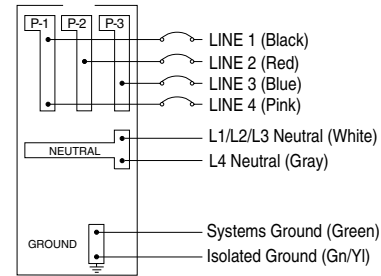
Risk of Fire or Electric Shock: This office furnishing system may be connected to more than one source of supply. All sources must be disconnected prior to any servicing. No single circuit may be powered by more than one source.

3+1 Powered by Separate Panels



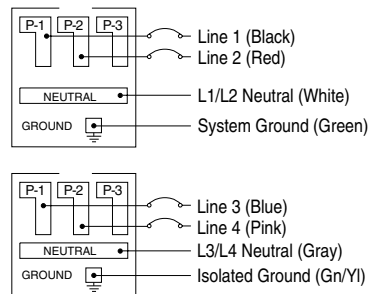
NOTE: L-4 may be connected to P-1, P-2, or P-3.

3+1 Powered by Single Panel



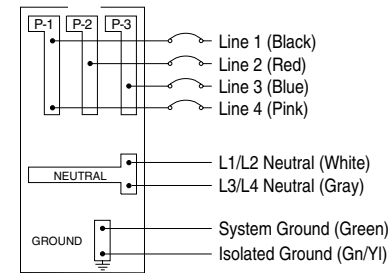
NOTE: L-4 should alternate between P-1, P-2, and P-3 to balance circuit loading.

2+2 Powered by Separate Panels



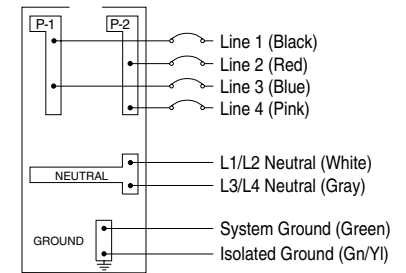
NOTE: Line 3 or 4 should alternate between phases to balance circuit loading.

2+2 Powered by 3-Phase Single Panel

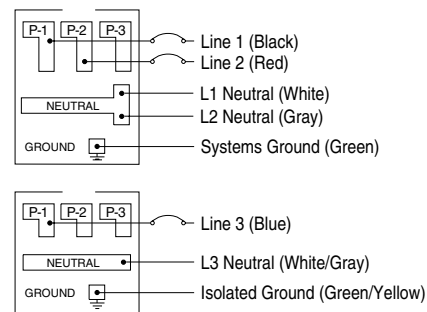


NOTE: L-4 should alternate between P-1 and P-2 to balance circuit loading.

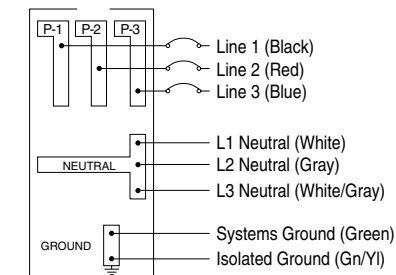
2+2 Powered by Split-Phase Panel



3 SepN Powered by Separate Panels



3 SepN Powered by Single Panel



3 SepN Powered by Split-Phase Panel

