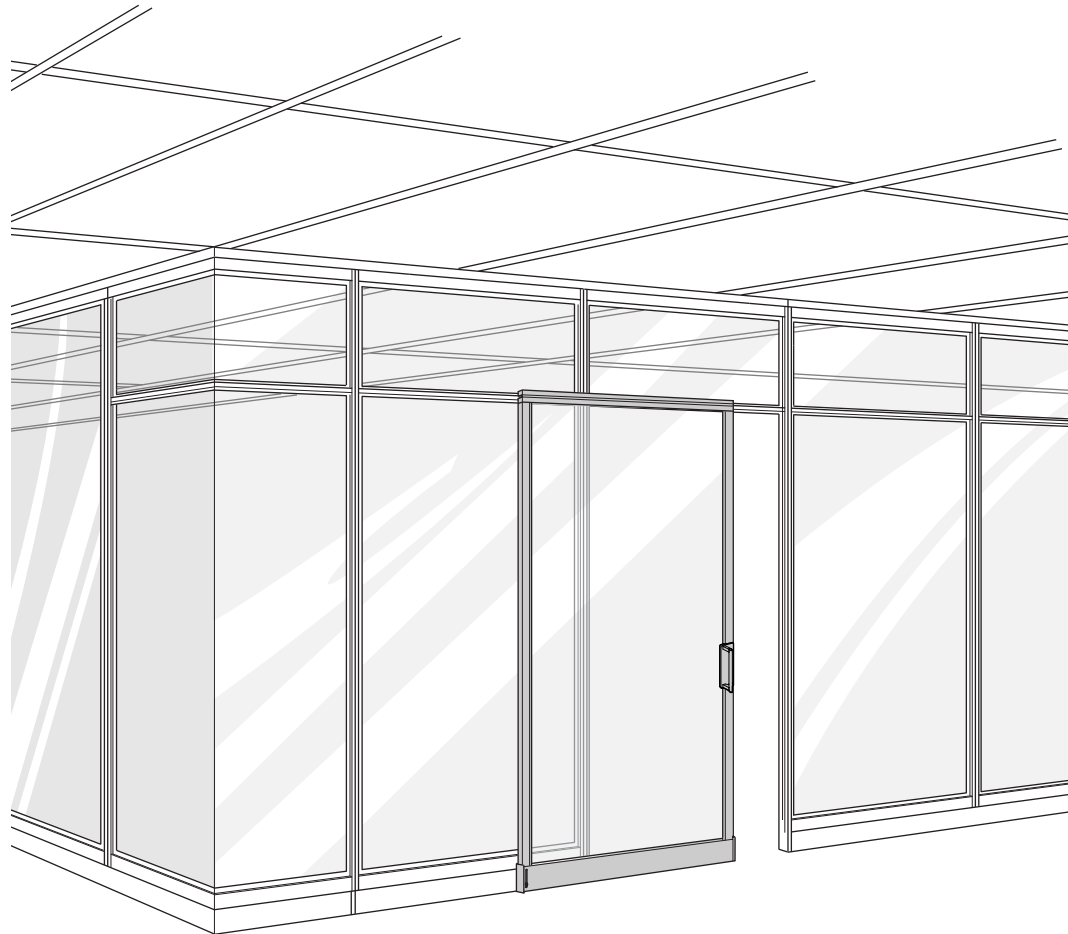


Pathways® Privacy Wall Glass Selections - Sliding Door



ETCHED GLASS STYLES:

- Satin
- Mist

PATTERN GLASS STYLES:

- Waterfall
- Bamboo
- Harp
- Mirage

If you have a problem, question, or request, call your local dealer, or Steelcase Line 1 at **888.STEELCASE** (888.783.3522) for immediate action by people who want to help you. (Outside the U.S.A., Canada, Mexico, Puerto Rico, and the U.S. Virgin Islands, call: 1.616.247.2500) Or visit our website: www.steelcase.com

© 2005 Steelcase Inc.
Grand Rapids, MI 49501
U.S.A.

Printed in U.S.A.

NOTE:

For etched/pattern glass orientation please refer to the installation drawings. Unless noted otherwise, use the default.

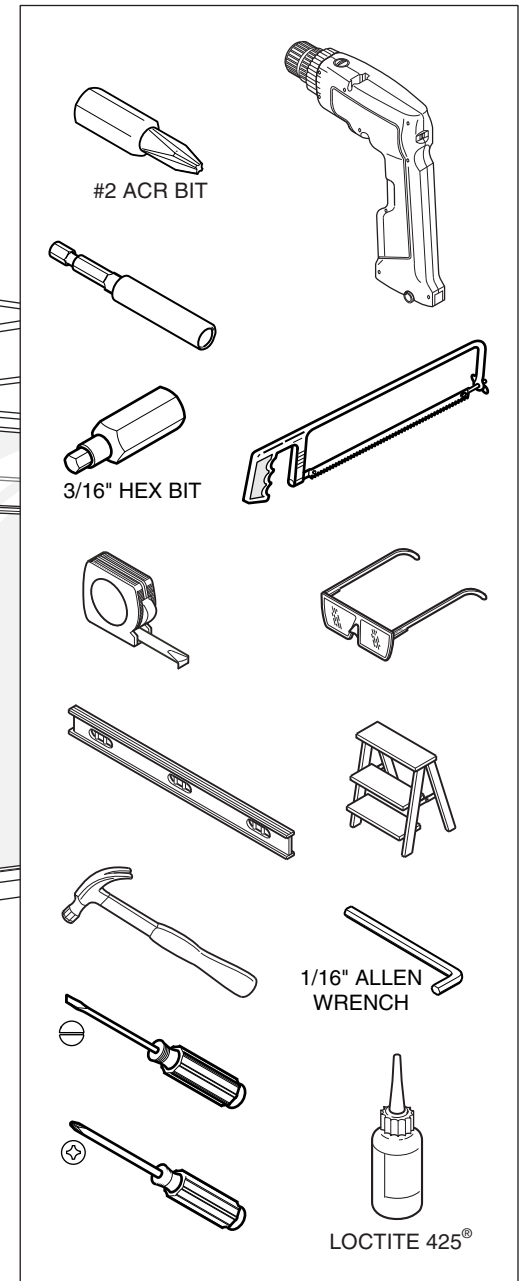
DEFAULT GLASS ORIENTATION:

ETCHED GLASS:

Rough side to go on the **inside** of the office space.

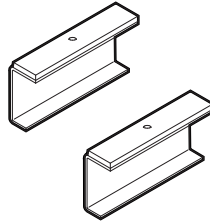
PATTERN GLASS:

Rough side to go on the **outside** of the office space.

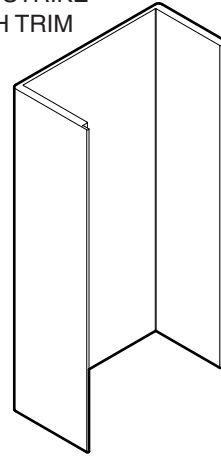


Glass Selections Components

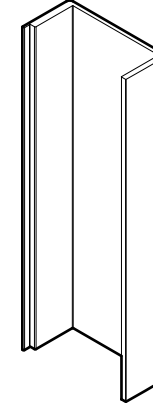
ENGAGEMENT CLIPS



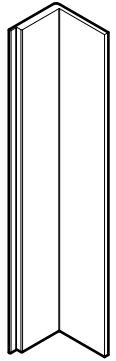
SLIDER STRIKE PLINTH TRIM



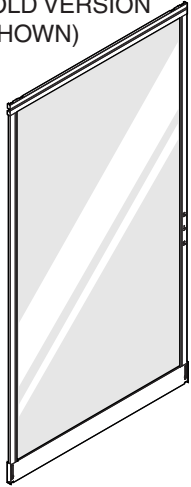
SLIDER SIDELITE PLINTH TRIM



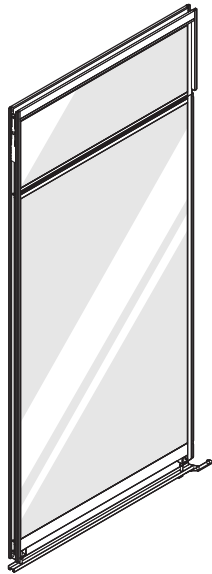
SIDELITE CORNER PLINTH TRIM



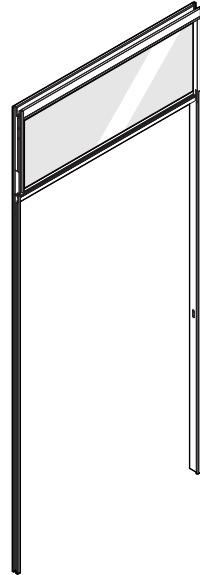
SLIDER DOOR
TWO VERSIONS:
OLD VERSION USED
PRIOR TO JAN 2006.
NEW VERSION USED
AFTER DEC 2005.
(OLD VERSION
SHOWN)



SLIDER DOOR
SIDELITE PANEL



SLIDER DOOR
FRAME



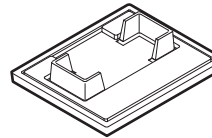
DOOR SEAL



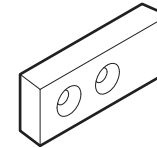
SLIDER DOOR
TRACK CHANNEL



CAP ASSEMBLY

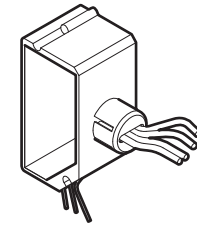


SLIDER STOP
BUMPER



POWER (OPTIONAL)
LOW VOLTAGE COMPONENTS

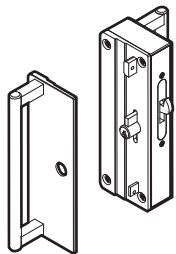
WATT
STOPPER



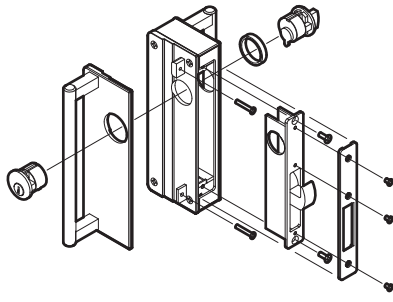
LOW VOLTAGE
WIRE



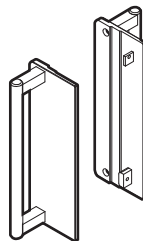
HANDLE PACKAGE
USED PRIOR TO
JAN 2006
(LOCKING VERSION)



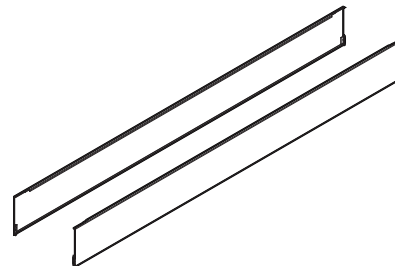
HANDLE PACKAGE
USED AFTER DEC 2005
(LOCKING VERSION)



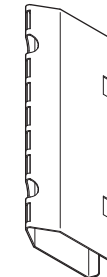
HANDLE PACKAGE
(NON-LOCKING
VERSION)



DOOR BASE COVERS



CEILING
RETENTION
BRACKET



LOW VOLTAGE
SWITCH



QUICK
CONNECTS

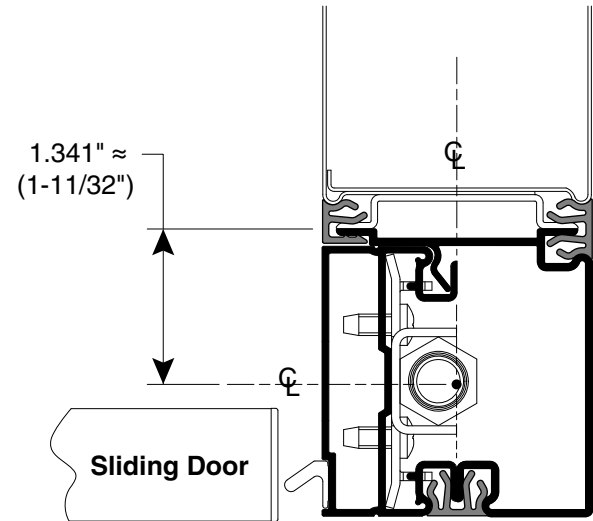


 = Inline Feature Strip

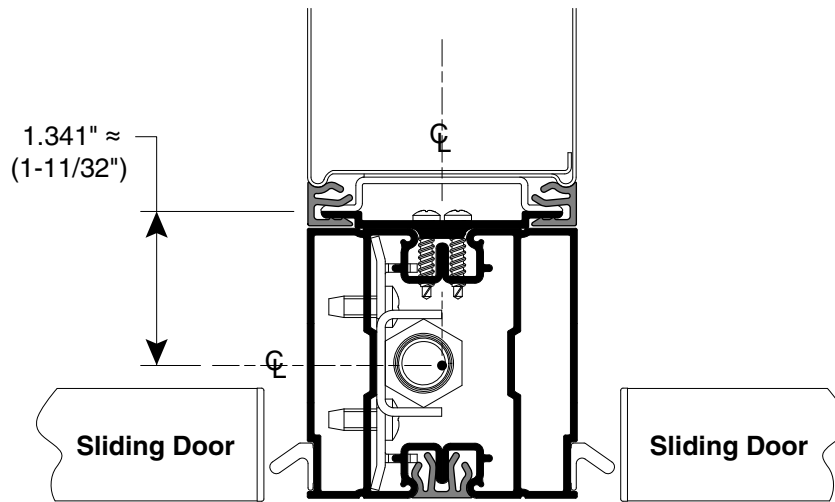
 = Half Feature Strip

Connection Conditions

NOTE: All other connection conditions are the same as standard panel mounting connection conditions.



90° with Centered Sliding Door

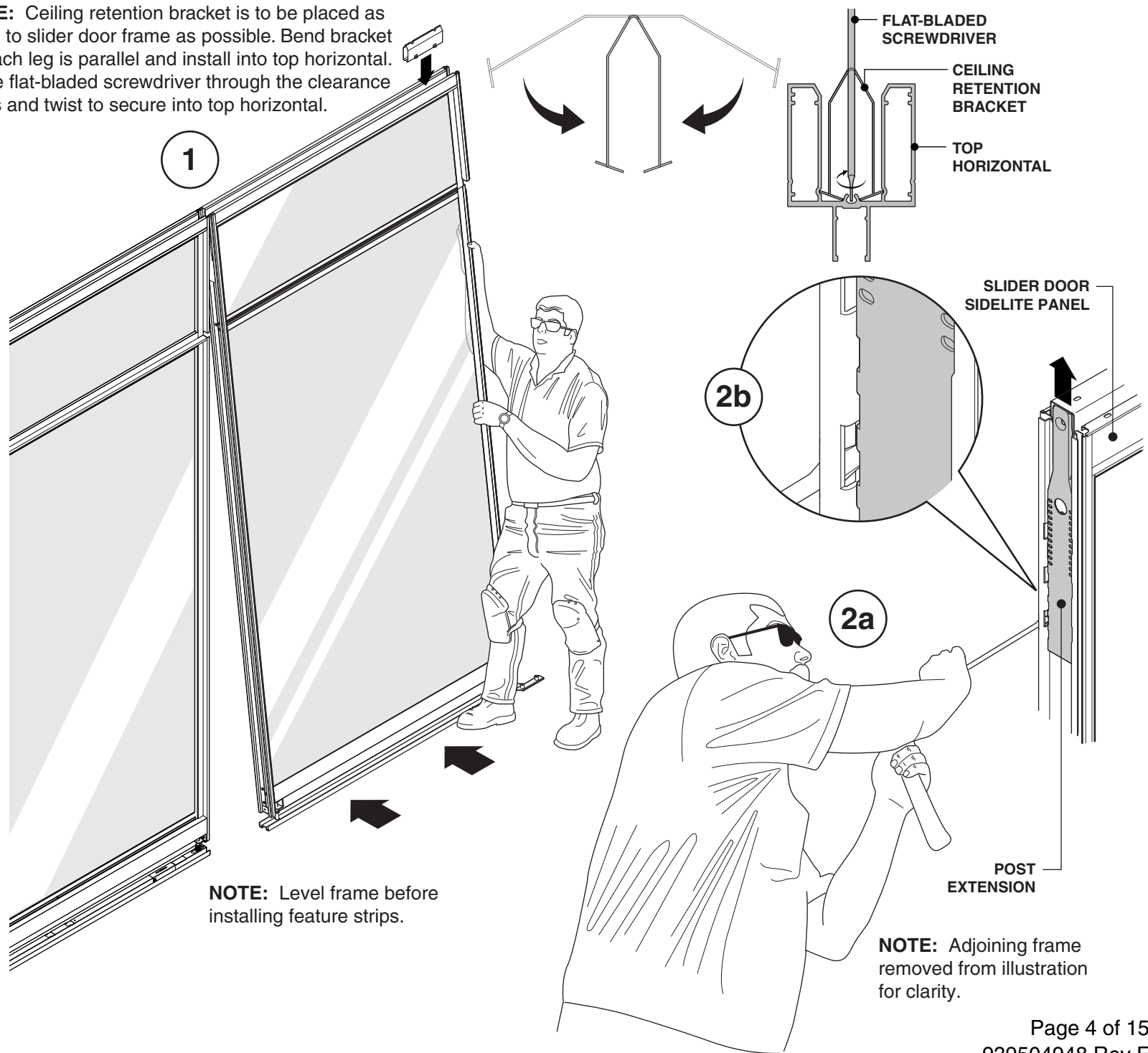


"T" with Sliding Doors Centered

NOTE: Ceiling retention bracket is to be placed as close to slider door frame as possible. Bend bracket so each leg is parallel and install into top horizontal. Place flat-bladed screwdriver through the clearance holes and twist to secure into top horizontal.

1. Install the slider door sidelite panel. Place top of panel into ceiling track first and then swing base of panel toward the floor.

2. Engage the post extension by inserting a screwdriver into the slots and slowly tapping the extension upward (2a) by engaging the small holes in the extension (2b). Extend fully to top of ceiling channel.



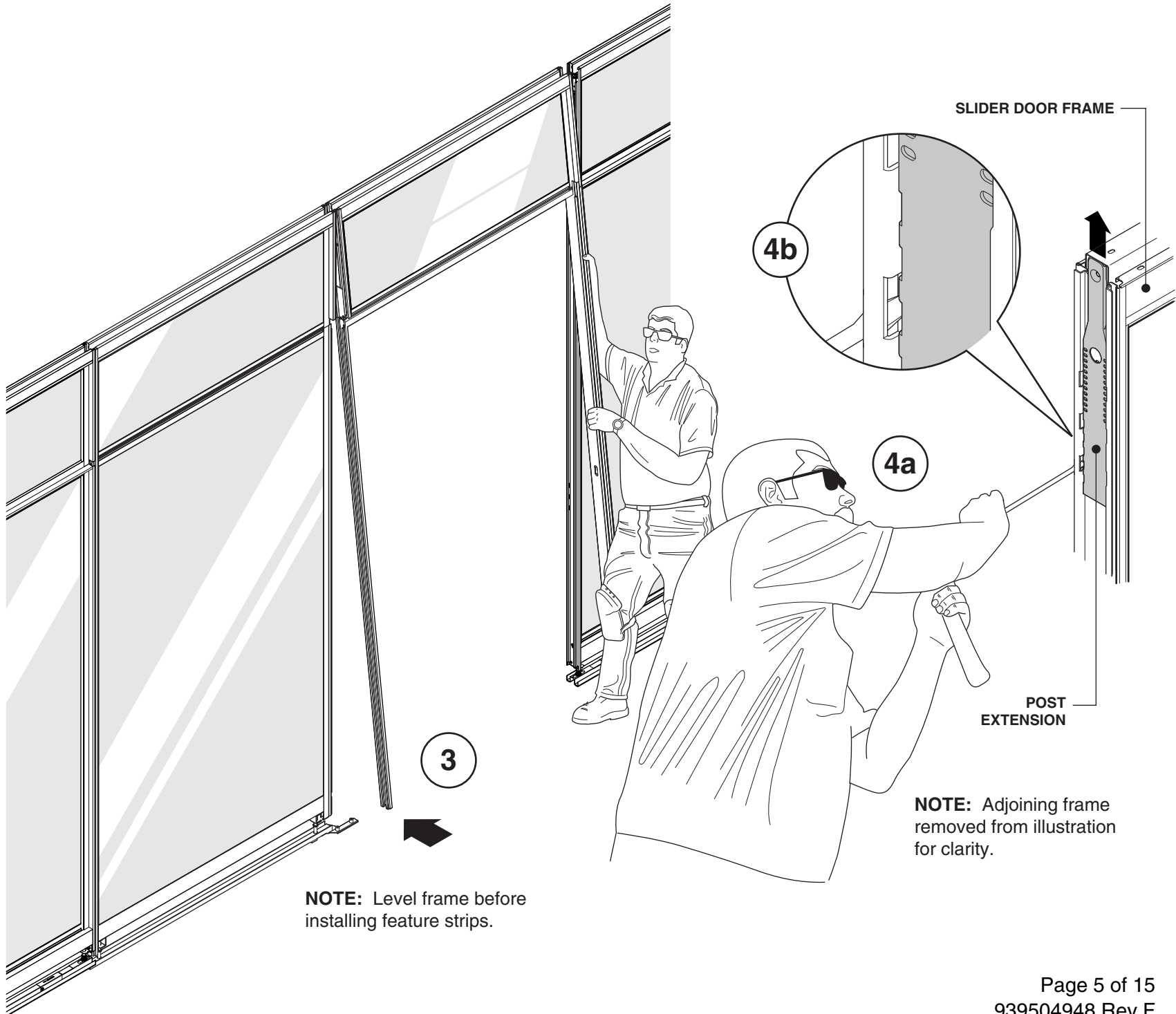
NOTE: Level frame before installing feature strips.

NOTE: Adjoining frame removed from illustration for clarity.

3. Install the slider door frame next to the slider door sidelite panel.

Place top of slider door frame into ceiling track first and then swing base of frame toward the floor.

4. Engage the post extension by inserting a screwdriver into the slots and slowly tapping the extension upward (4a) by engaging the small holes in the extension (4b). Extend fully to top of ceiling channel.



NOTE: Level frame before installing feature strips.

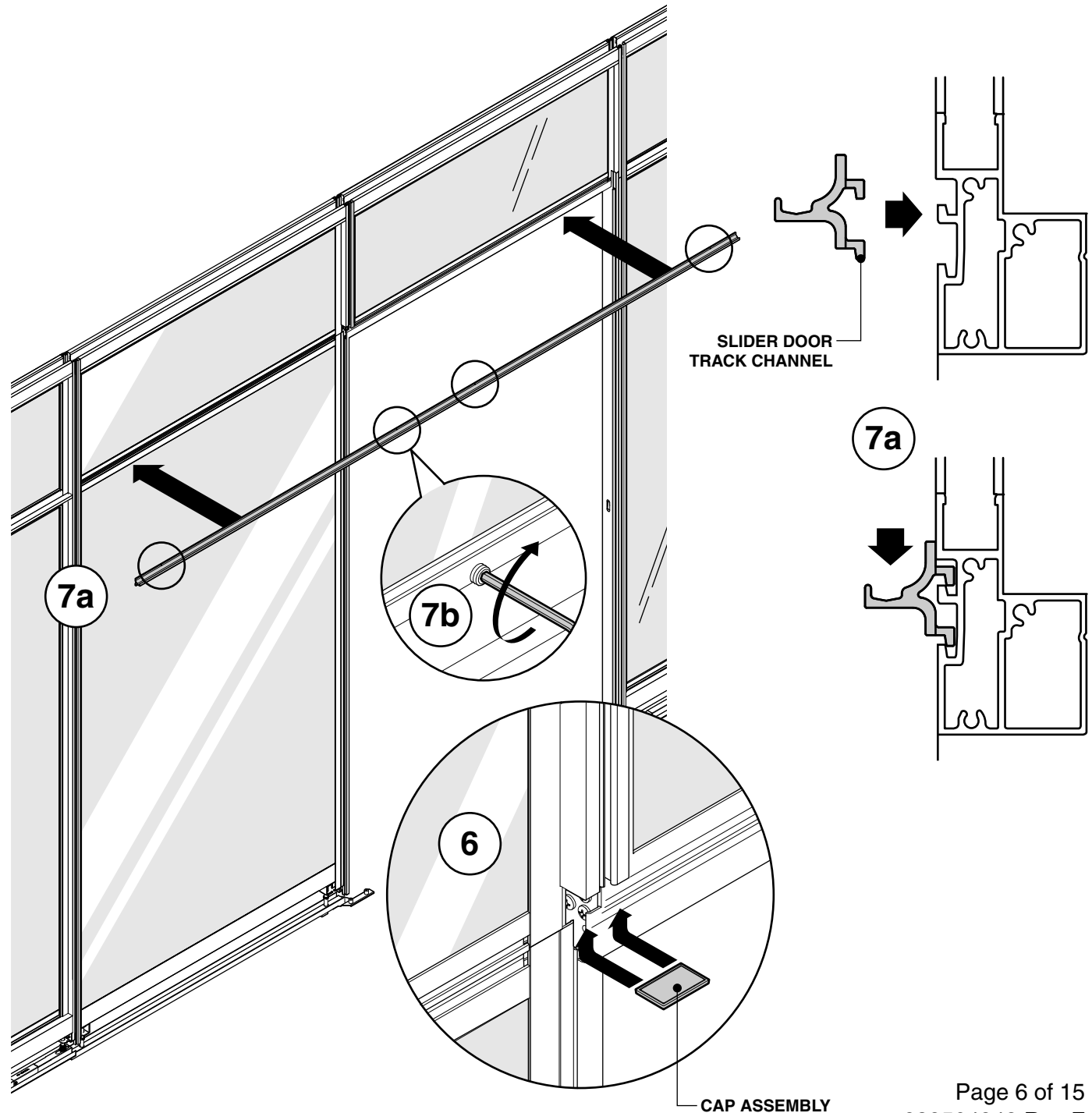
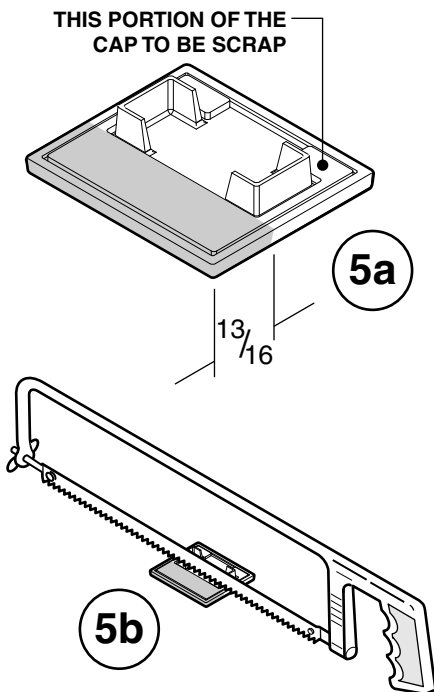
NOTE: Adjoining frame removed from illustration for clarity.

Steelcase

5. Note portion of cap that needs to be removed (5a) and cut with hand saw (5b).

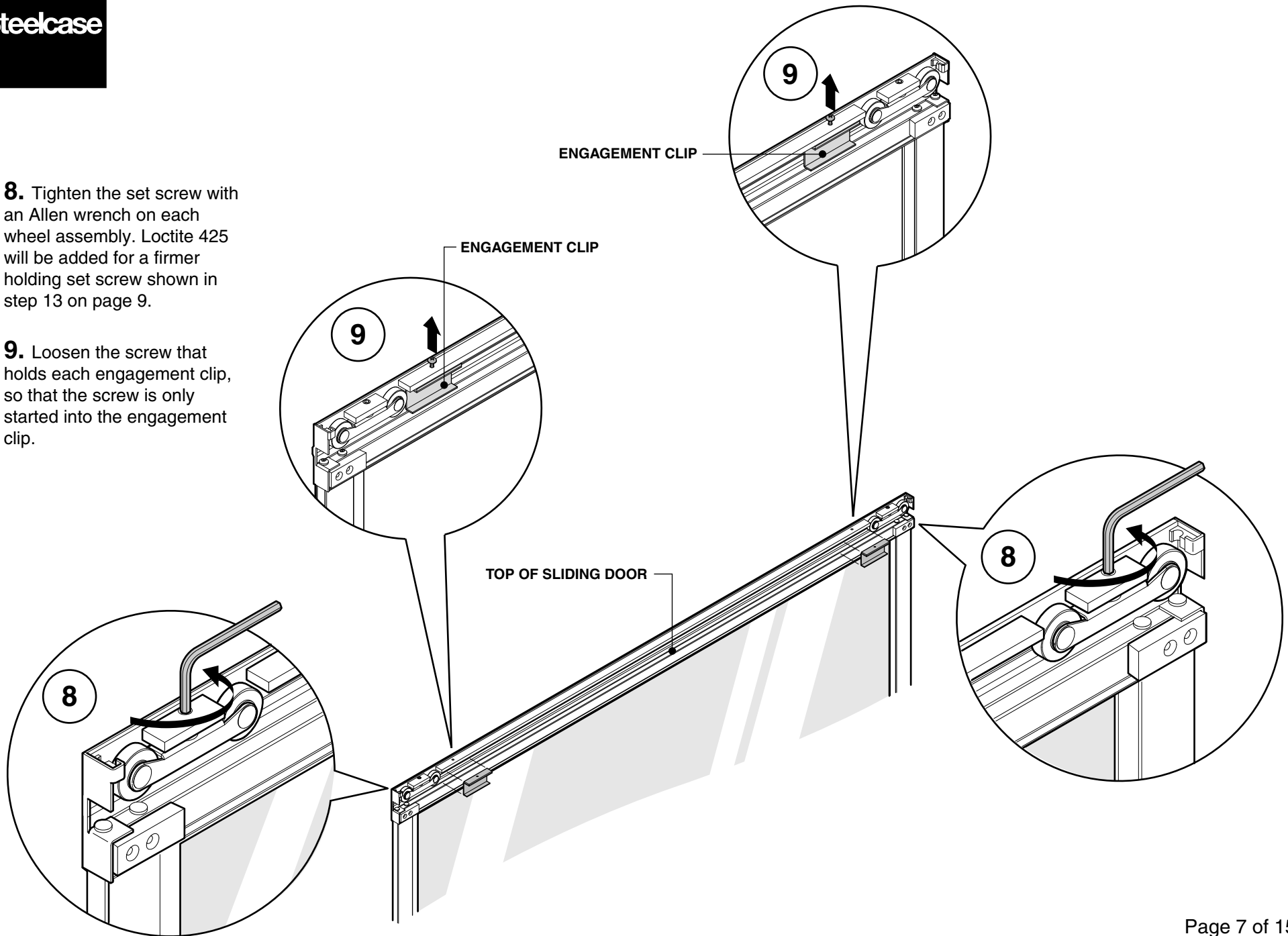
6. Remove paper from double face tape and install cap assembly as indicated.

7. Install slider door track channel into grooves located on the frame (7a). Tighten set screw to secure (7b).



8. Tighten the set screw with an Allen wrench on each wheel assembly. Loctite 425 will be added for a firmer holding set screw shown in step 13 on page 9.

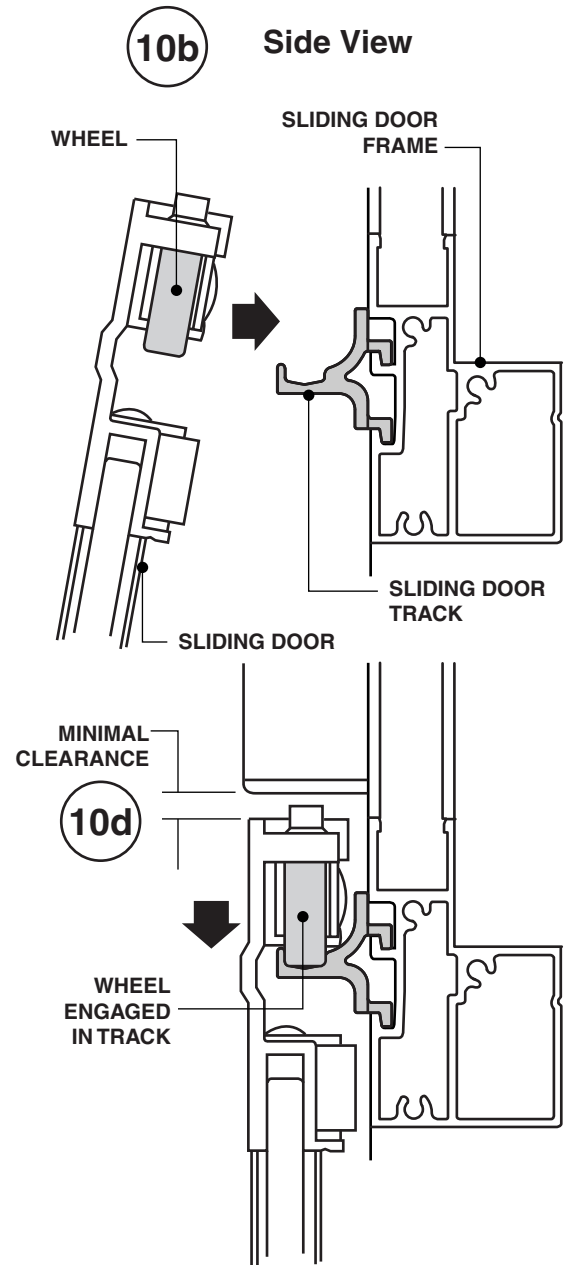
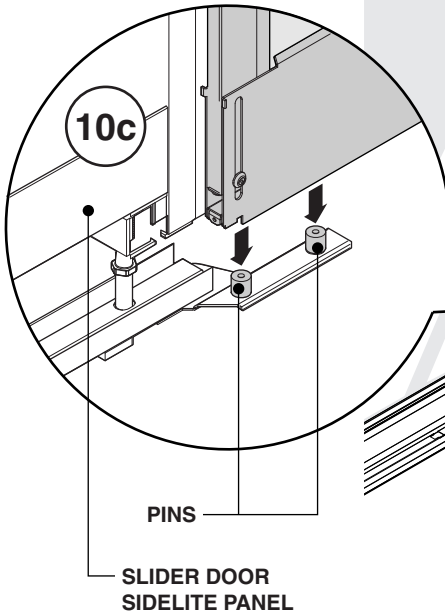
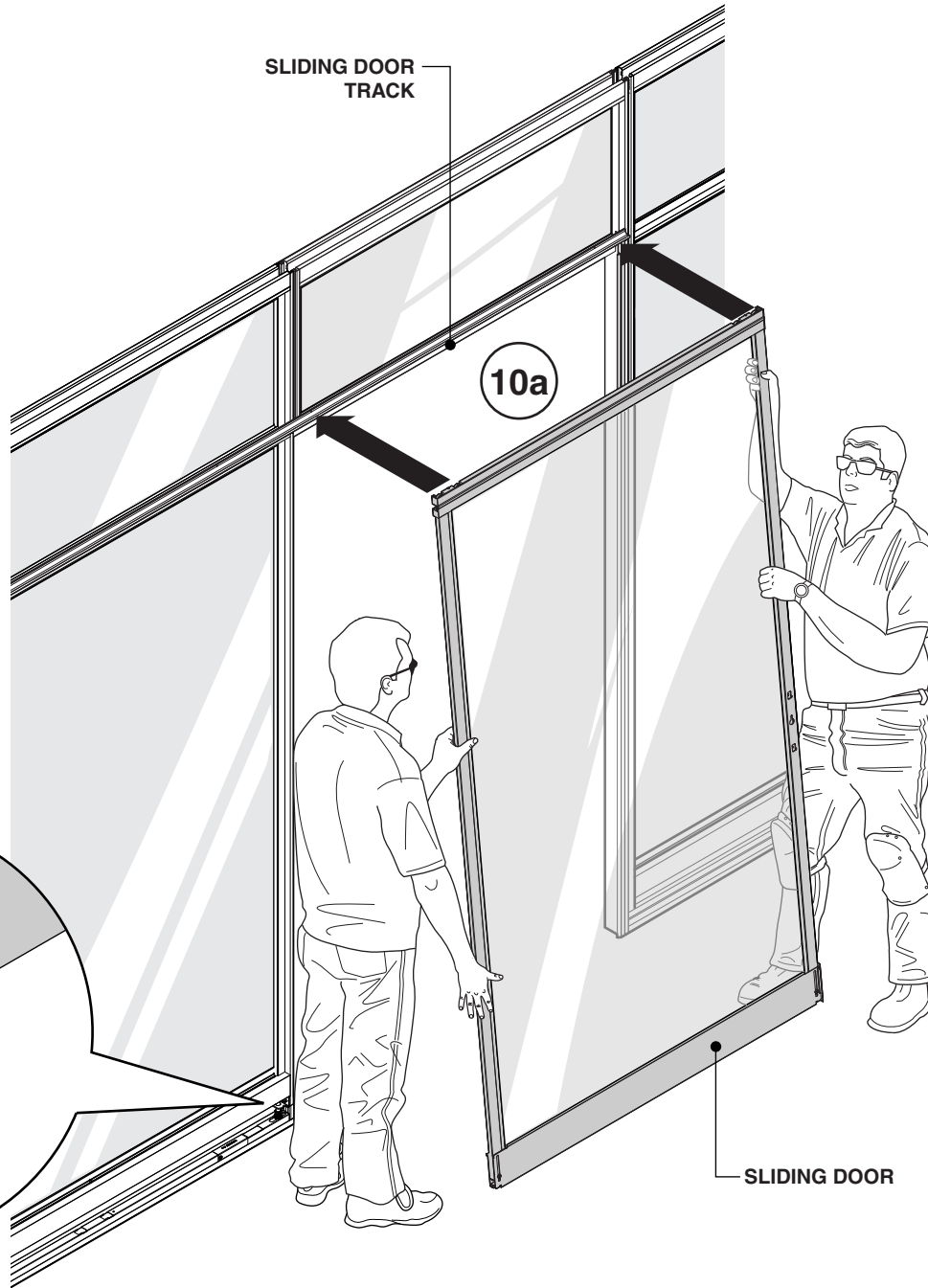
9. Loosen the screw that holds each engagement clip, so that the screw is only started into the engagement clip.



10. Place top of sliding door onto sliding door track (10a) making sure the door is at an angle and the wheels align properly into track (10b).

While lowering, make sure the base of the slider door fits properly over the two (2) pins located at the base of the slider door sidelite panel (10c).

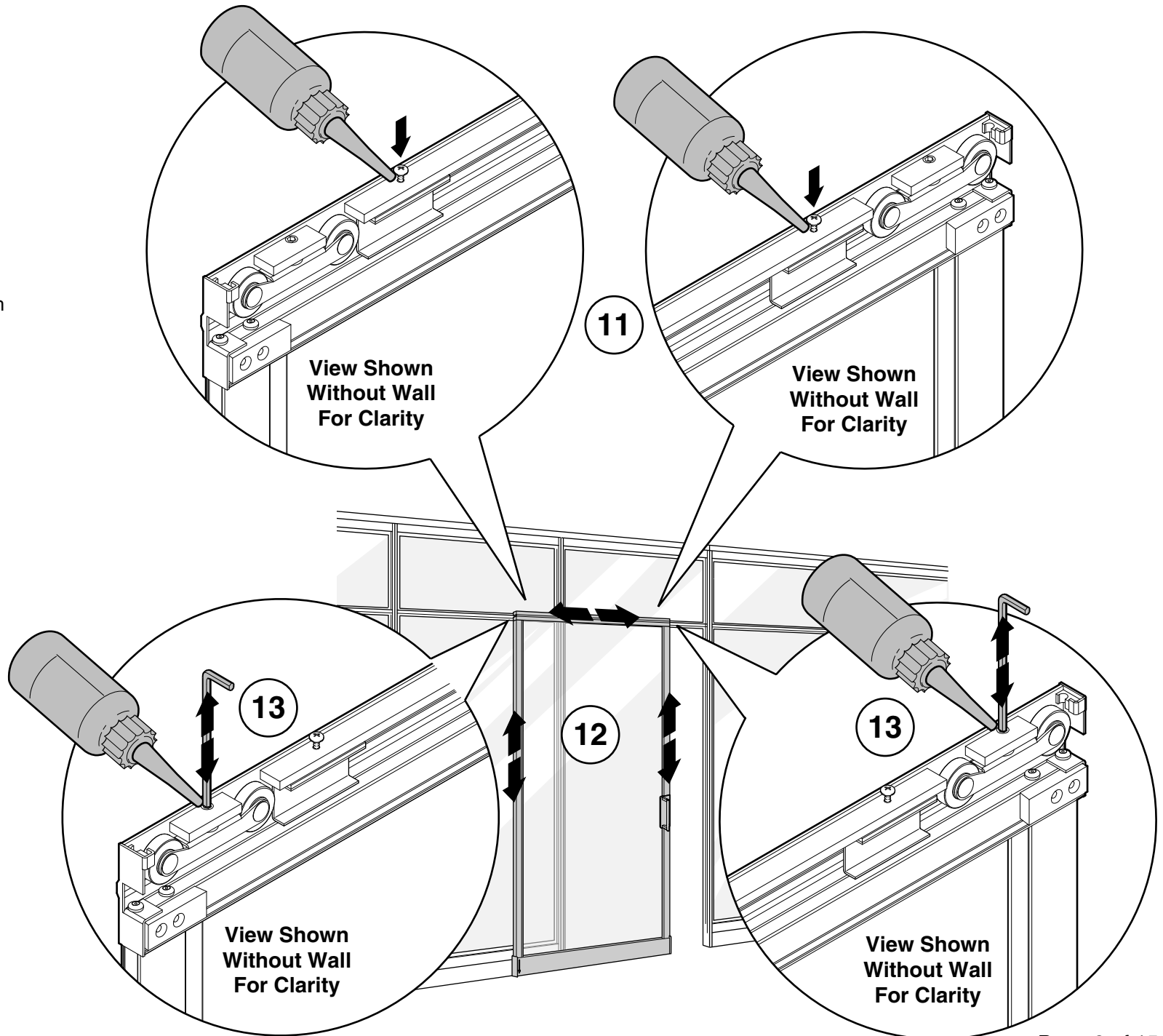
Keep the gap between the top of the door and the cap at a minimal clearance to help keep the wheel engaged into the track (10d).



11. Apply one (1) drop of Loctite 425 under the head of each #6 screw for strength and tighten.

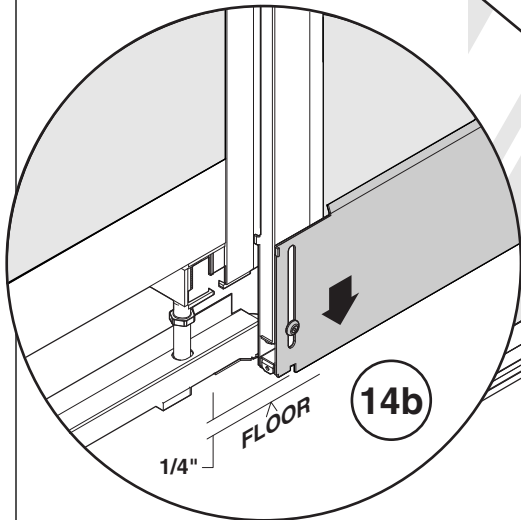
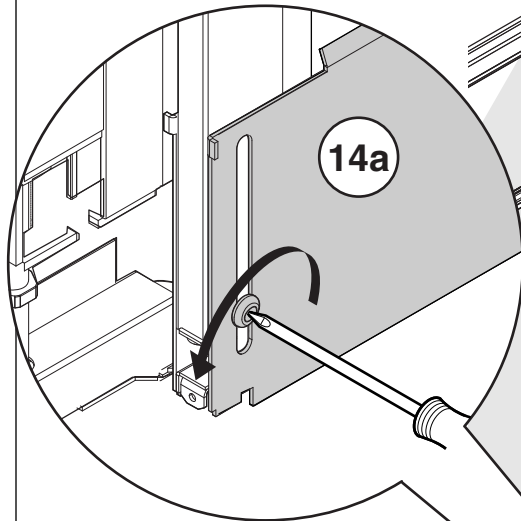
12. Test to see if sliding door anti-dislodgement clips have been installed properly by lifting on each side of the sliding door making sure the door doesn't come off the sliding door track. Slide door its full range to test for any binding.

13. Back out the set screw two or three turns and apply one (1) drop of Loctite 425 to the threads then re-install the set screw to its original position.



Steelcase

14. Using a phillips head screwdriver, loosen screws on base plate (14a) and lower base plate to within a 1/4" from the floor (14b). Then tighten screws.



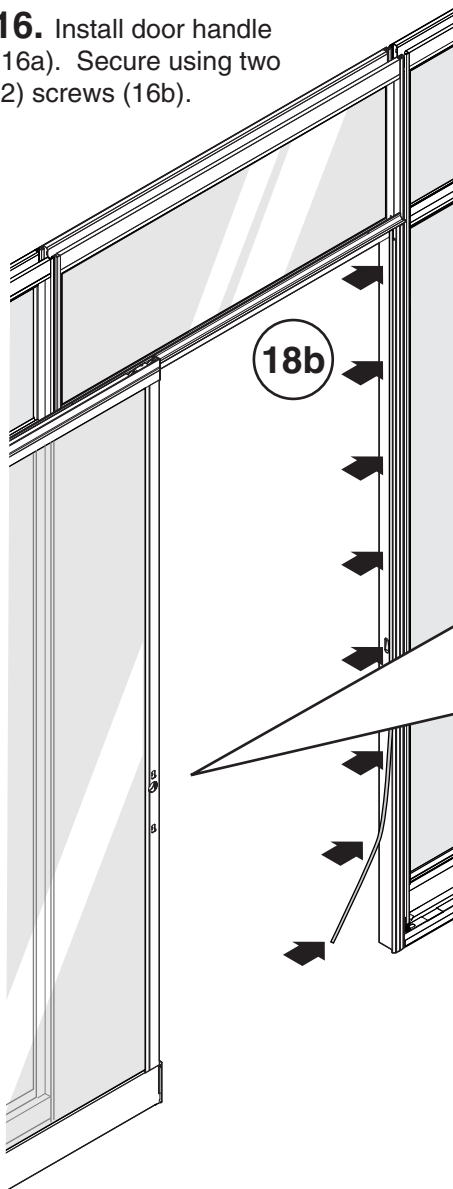
15. Remove paper from velcro pad and install onto door base cover as indicated (15a). Install door base covers over the base plate as shown (15b). Install door bottom end trims on each end with one (1) flat head screw to lock base covers onto door (15c).



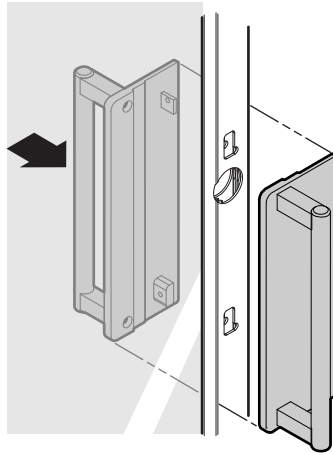
This page describes the handle package that is used after Dec 2005.

17. Adjust the height of the lock barrel by turning the lock barrel a minimum of 1/16" from surface of handle plate.

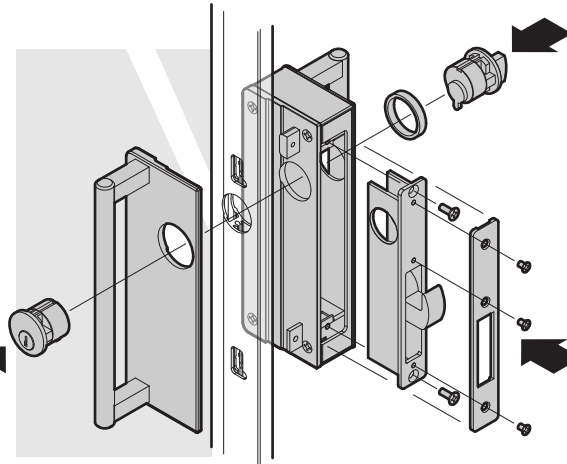
16. Install door handle (16a). Secure using two (2) screws (16b).



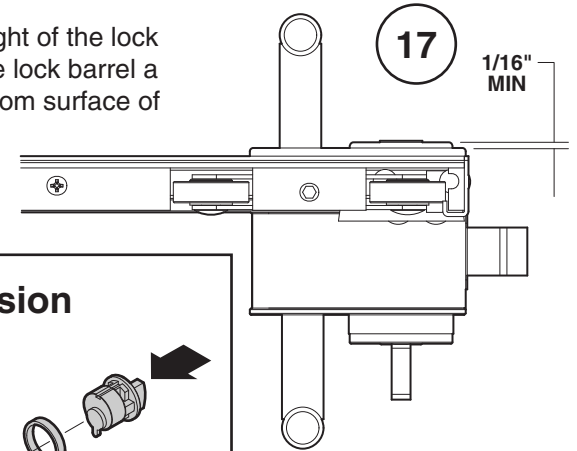
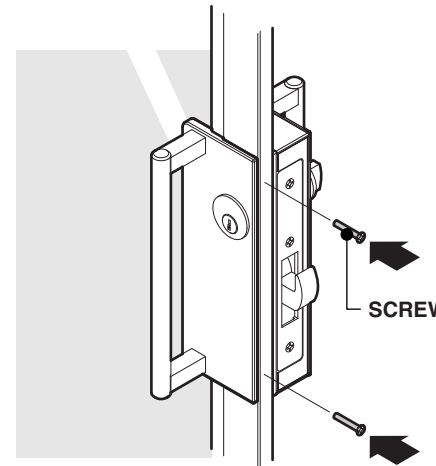
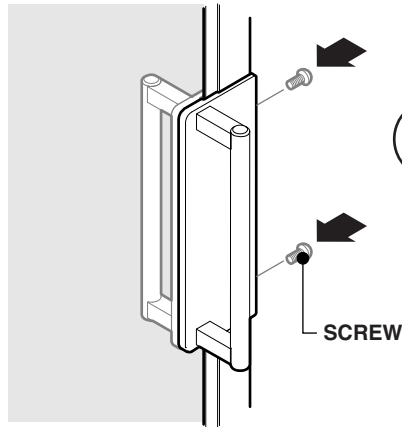
Non-Locking Version



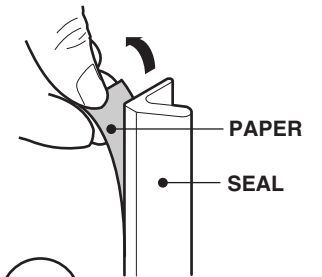
Locking Version



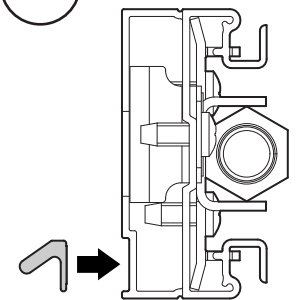
16b



18. Peel off paper on back of door seal and apply door seal to frame as shown (18a). Start at top and work downward (18b).



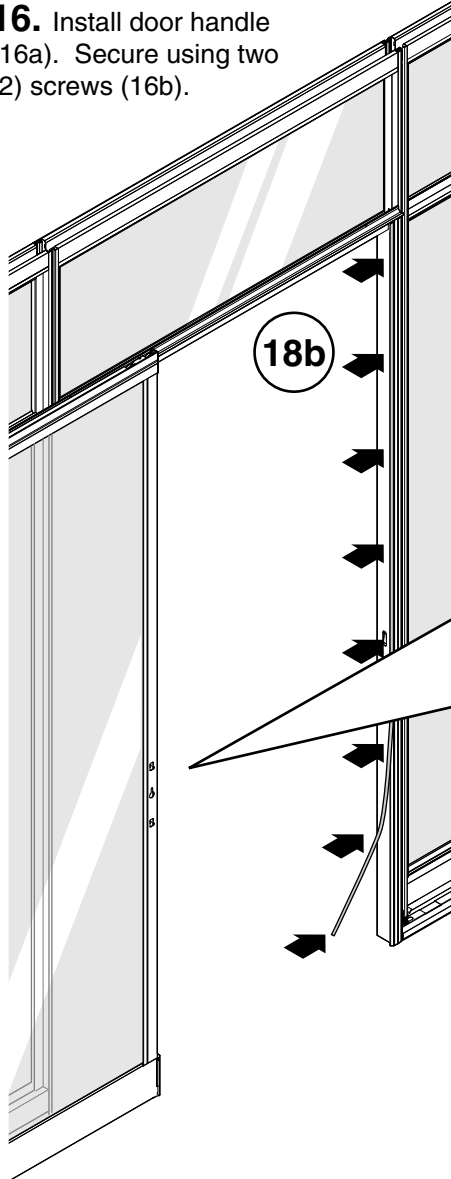
18a



This page describes the handle package that was used prior to Jan 2006.

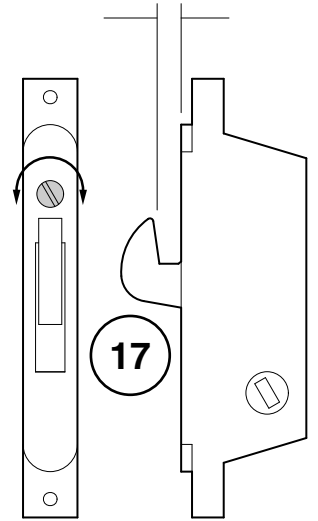
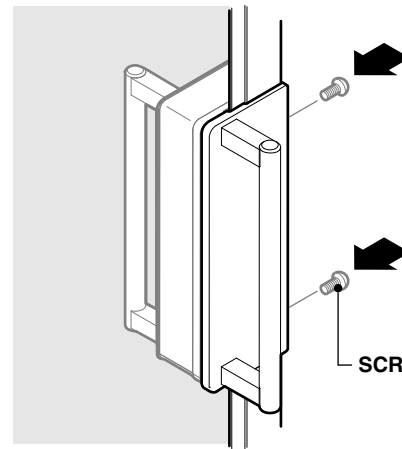
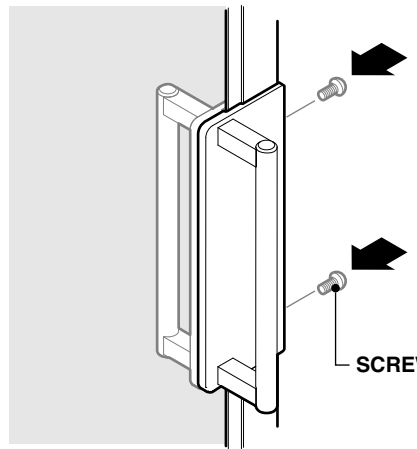
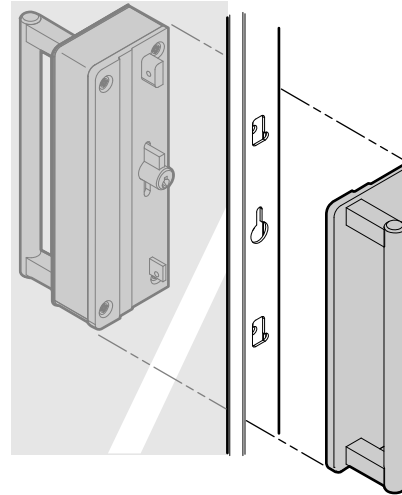
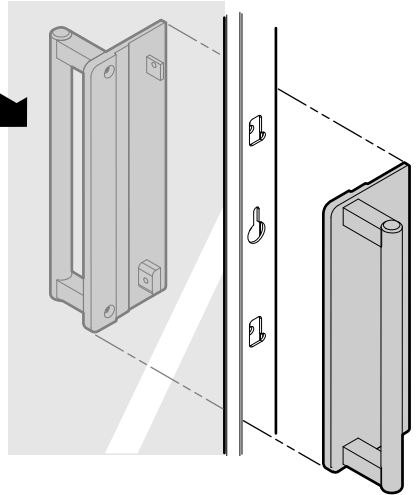
17. Adjust lock latch by turning the adjustment screw.

16. Install door handle (16a). Secure using two (2) screws (16b).

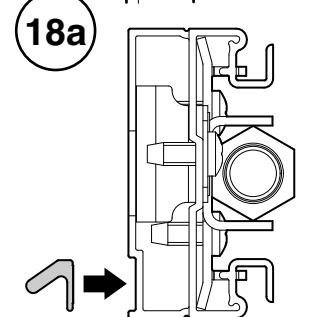
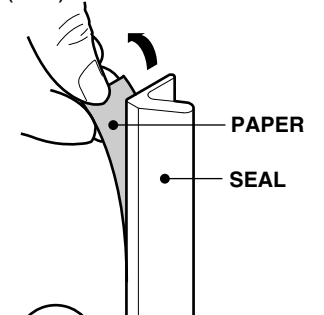


Non-Locking Version

Locking Version



18. Peel off paper on back of door seal and apply door seal to frame as shown (18a). Start at top and work downward (18b).



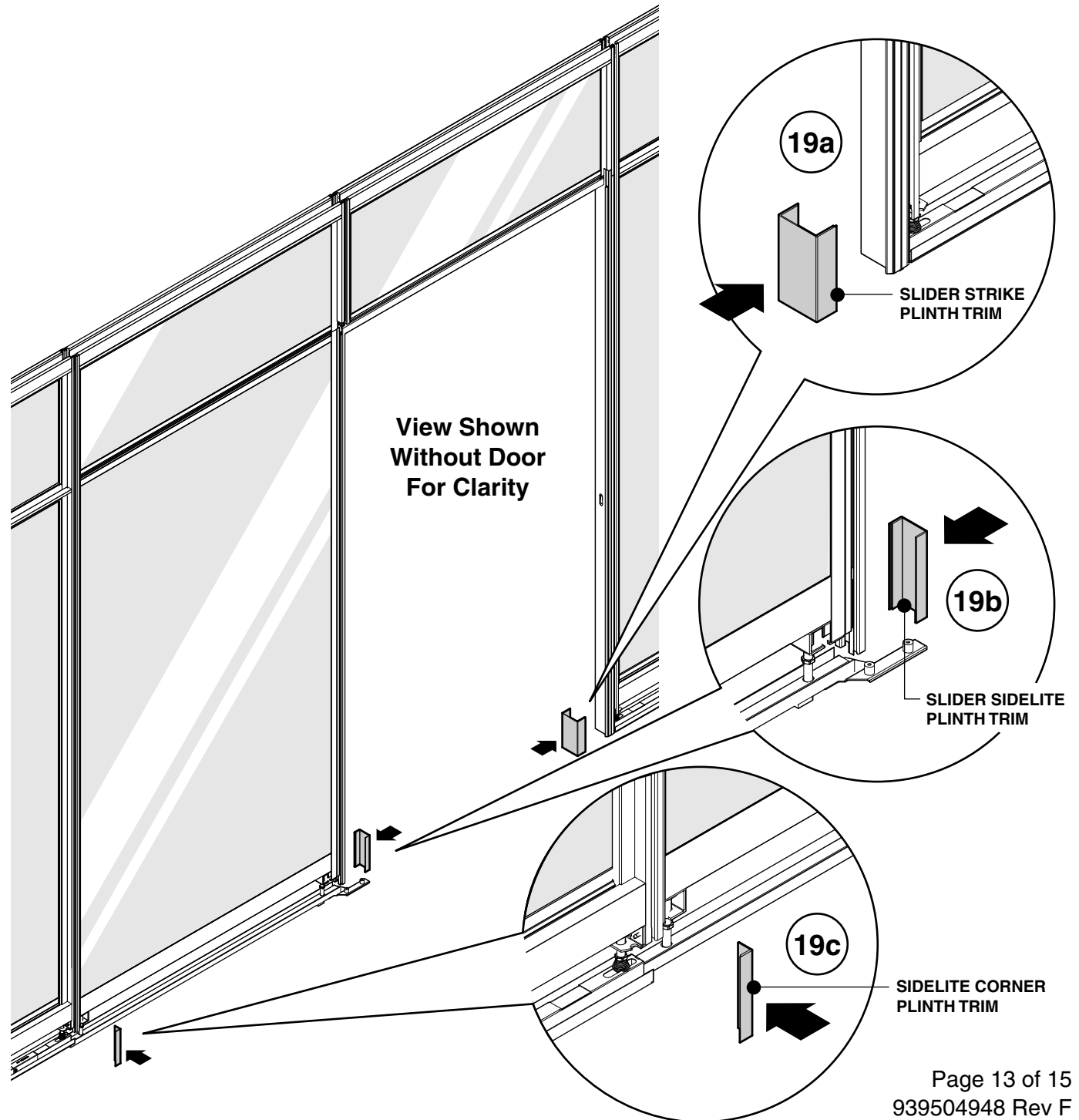
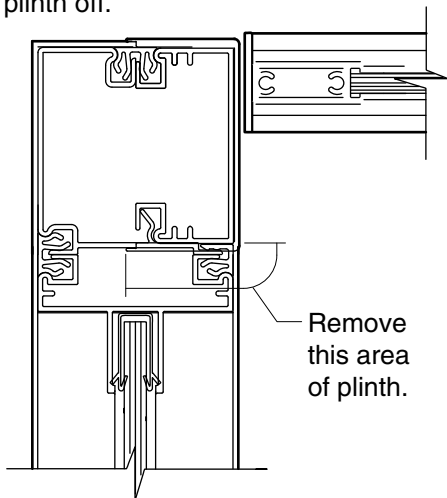
NOTE: Clean attachment area with alcohol (or naphtha) before applying plinths.

19. Remove paper from double face tape and attach slider strike plinth trim as shown (19a).

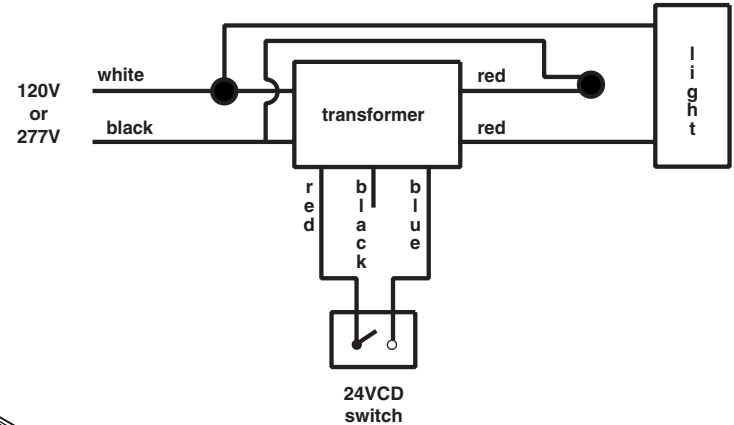
Remove paper from double face tape and attach slider sidelite plinth trim as shown (19b).

Remove paper from double face tape and attach sidelite corner plinth trim as shown (19c).

NOTE: When attaching a slider within a centerline 'L' or 'T' application, installer may have to machine leg of plinth off.



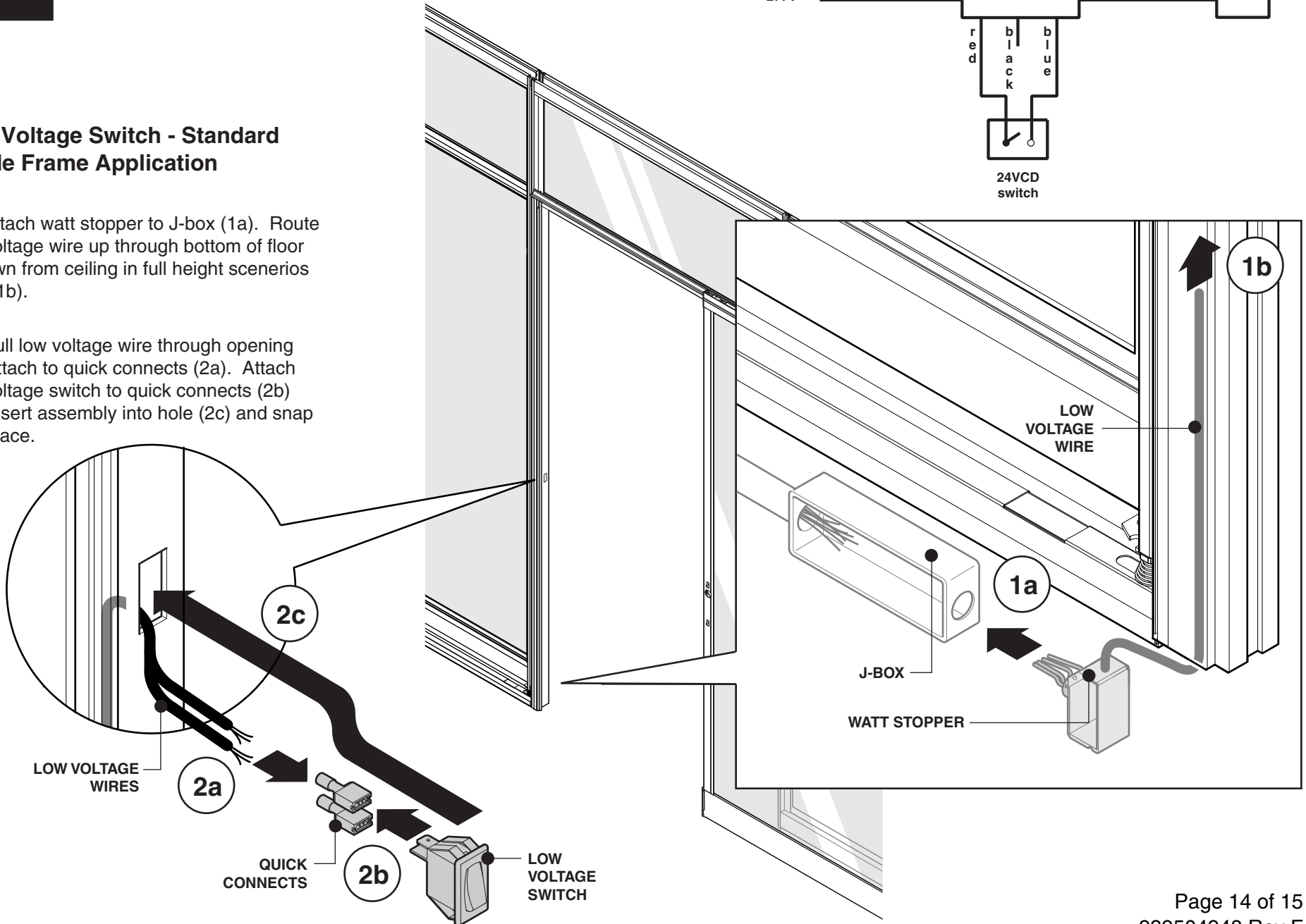
WARNING: All electrical installations should be done by a qualified electrician in accordance with codes and regulations applicable at the installation site.



Low Voltage Switch - Standard Inside Frame Application

1. Attach watt stopper to J-box (1a). Route low voltage wire up through bottom of floor or down from ceiling in full height scenerios only (1b).

2. Pull low voltage wire through opening and attach to quick connects (2a). Attach low voltage switch to quick connects (2b) and insert assembly into hole (2c) and snap into place.



WARNING: All electrical installations should be done by a qualified electrician in accordance with codes and regulations applicable at the installation site.

Low Voltage Switch - Feature Strip Application
 (For all locations except inside corners)

- 1.** Attach watt stopper to J-box (1a). Route low voltage wire up through bottom of floor or down from ceiling in full height scenerios only (1b). See page 14 for schematic and artwork.
- 2.** Remove a 1-1/2" portion of aluminum from the two mating panel uprights where the feature strip is mounted.
- 3.** Measure 44" for the length of the bottom feature strip and place a 3/8" notch on one end of the feature strip as shown.
- 4.** Snap bottom feature strip into position.
- 5.** Pull low voltage wire through opening and attach to quick connects (5a). Attach low voltage switch to quick connects (5b) and insert assembly into hole (5c) and snap into place.
- 6.** For the top feature strip, make the same 3/8" notch on one end of the feature strip (as shown on step 3) and slide the notched end under the low voltage switch and snap into position.

