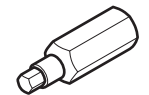
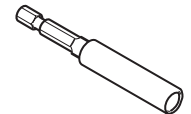
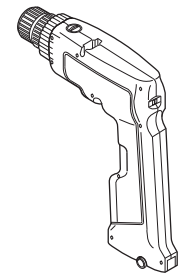
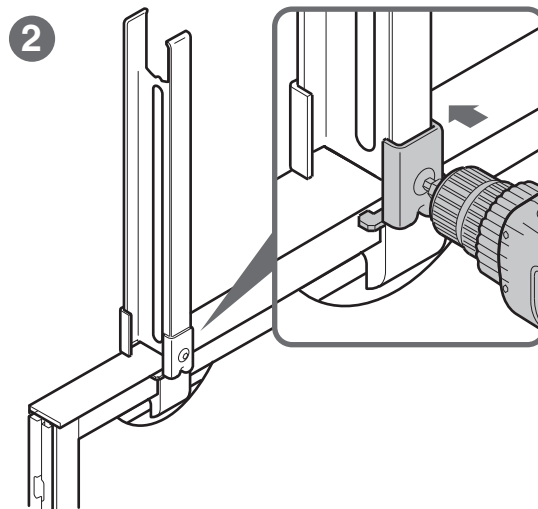
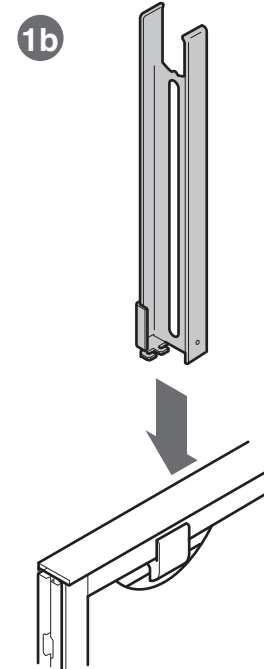
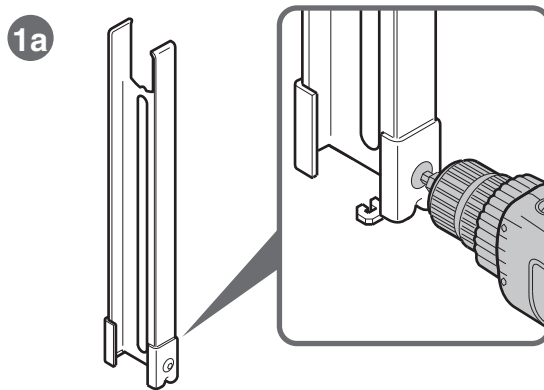


Installing the trestle

- 1.** Remove one bracket from the trestle (1a). Insert trestle with remaining bracket into top horizontal rail of panel with the feet of the bracket in the 4th and 5th slot from the end of the frame as shown (1b).
- 2.** Install the screw into the second bracket drawing the bracket into position as you tighten the screw.
- 3.** Tighten both screws.
- 4.** Repeat steps 1, 2 and 3 at the 4th and 5th slot from the other end of the frame.



HEX DRIVE

If you have a problem, question, or request, call your local dealer, or Steelcase Line 1 at **888.STEELCASE** (888.783.3522) for immediate action by people who want to help you. (Outside the U.S.A., Canada, Mexico, Puerto Rico, and the U.S. Virgin Islands, call: 1.616.247.2500) Or visit our website: www.steelcase.com

© 2012 Steelcase Inc.
Grand Rapids, MI 49501
U.S.A.

Printed in U.S.A.

Installing the data duct

1. Each trestle has a protrusion which restrains the data duct. Install the data duct by placing it on the trestle as shown with the trestle protrusion inserted into the duct.

