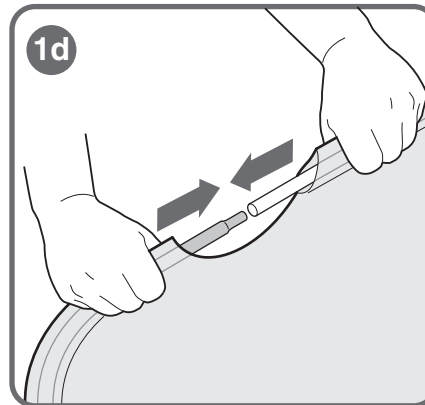
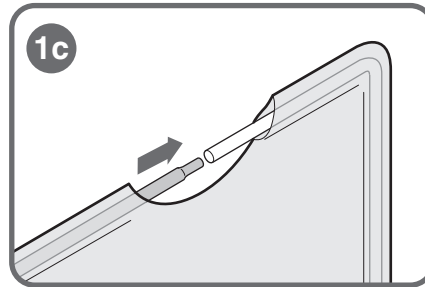
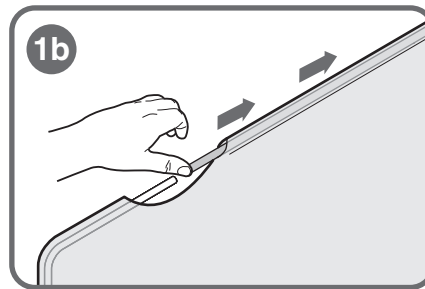
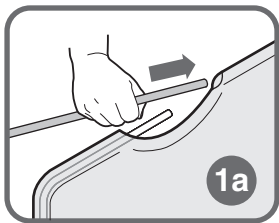
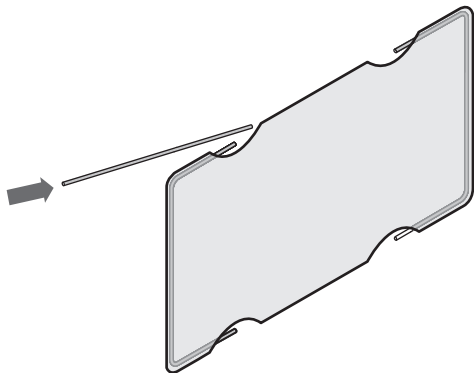


Screens

1. Install the top horizontal tube and the bottom horizontal tube into the fabric frame as shown. The vertical tubes are factory installed. Repeat procedure for bottom of screen.

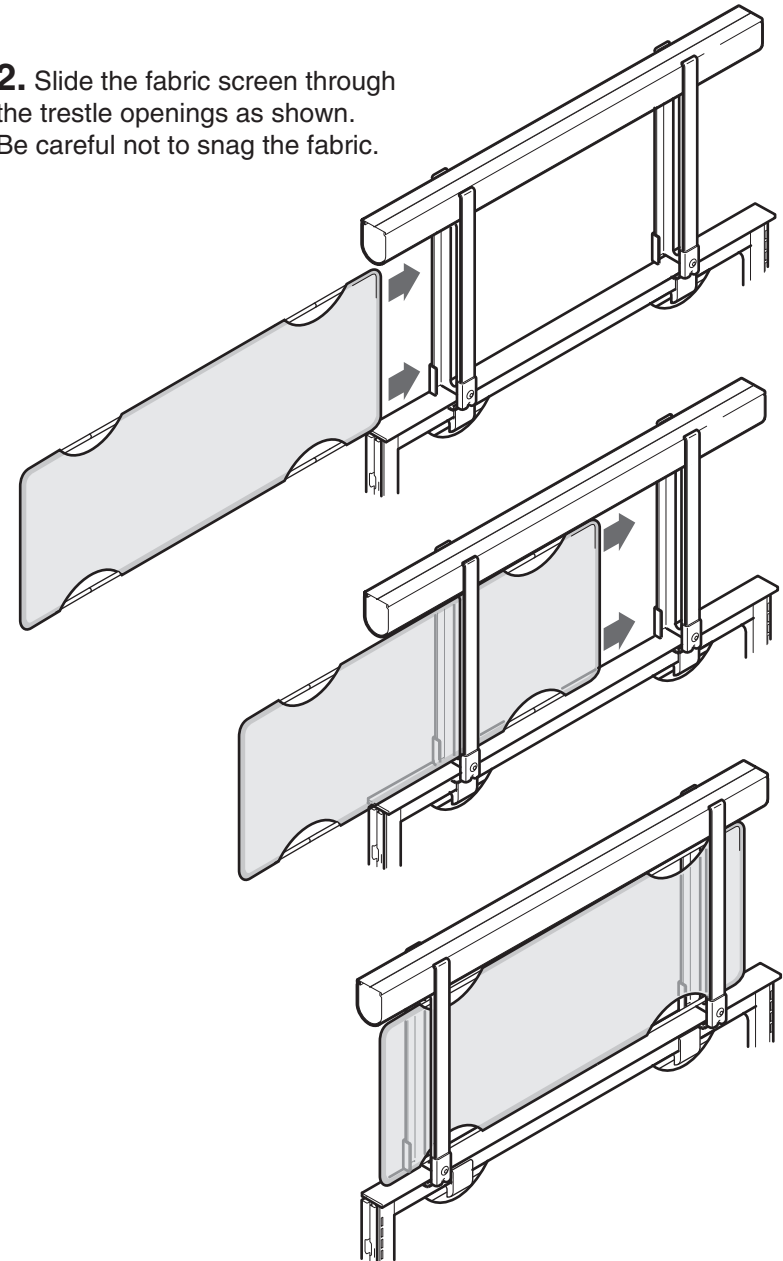


If you have a problem, question, or request, call your local dealer, or Steelcase Line 1 at **888.STEELCASE** (888.783.3522) for immediate action by people who want to help you. (Outside the U.S.A., Canada, Mexico, Puerto Rico, and the U.S. Virgin Islands, call: 1.616.247.2500) Or visit our website: www.steelcase.com

© 2012 Steelcase Inc.
Grand Rapids, MI 49501
U.S.A.

Printed in U.S.A.

2. Slide the fabric screen through the trestle openings as shown. Be careful not to snag the fabric.



Translucent acrylic screens

1. Remove protective covering from both sides of the acrylic infill.
2. Slide the translucent screens through the trestle openings as shown. Be careful not to scratch the acrylic.

