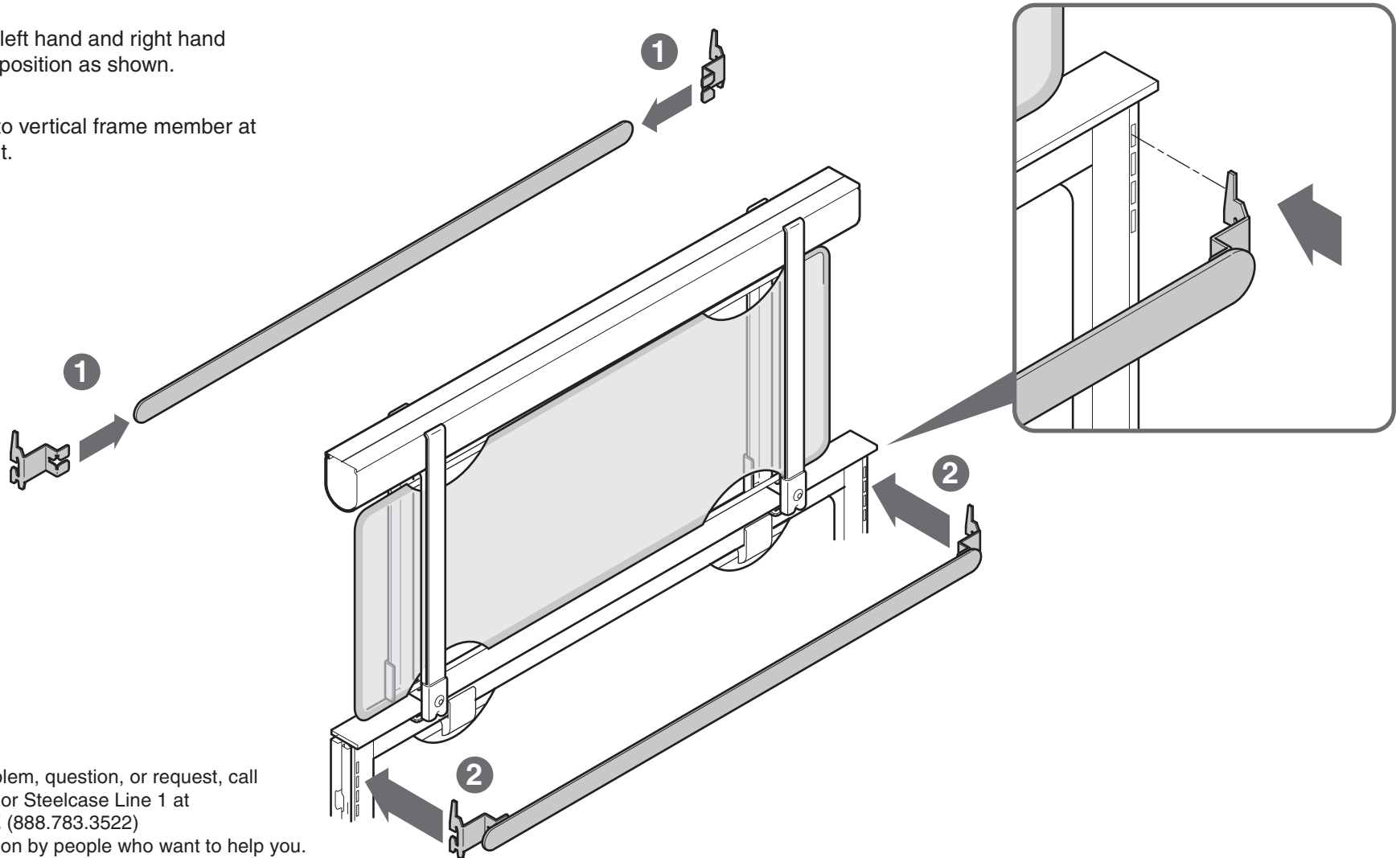


1. Slide the left hand and right hand brackets into position as shown.

2. Install into vertical frame member at desired height.



If you have a problem, question, or request, call your local dealer, or Steelcase Line 1 at **888.STEELCASE** (888.783.3522) for immediate action by people who want to help you.

(Outside the U.S.A., Canada, Mexico, Puerto Rico, and the U.S. Virgin Islands, call: 1.616.247.2500)

Or visit our website: [www.steelcase.com](http://www.steelcase.com)

© 2012 Steelcase Inc.  
Grand Rapids, MI 49501  
U.S.A.

Printed in U.S.A.