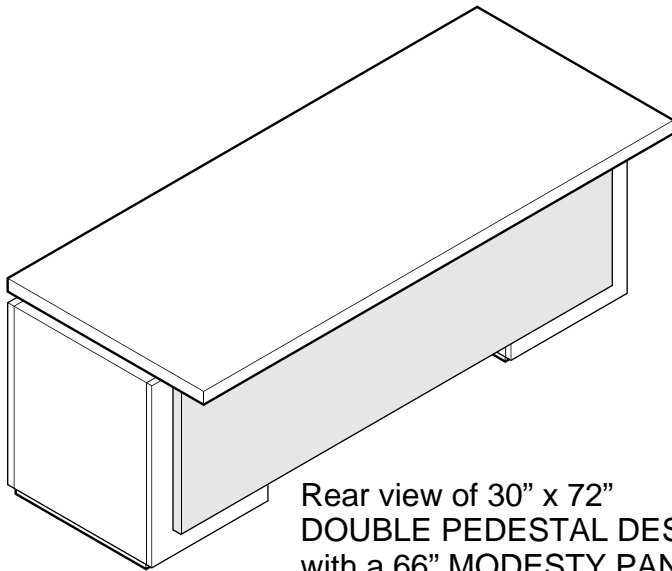
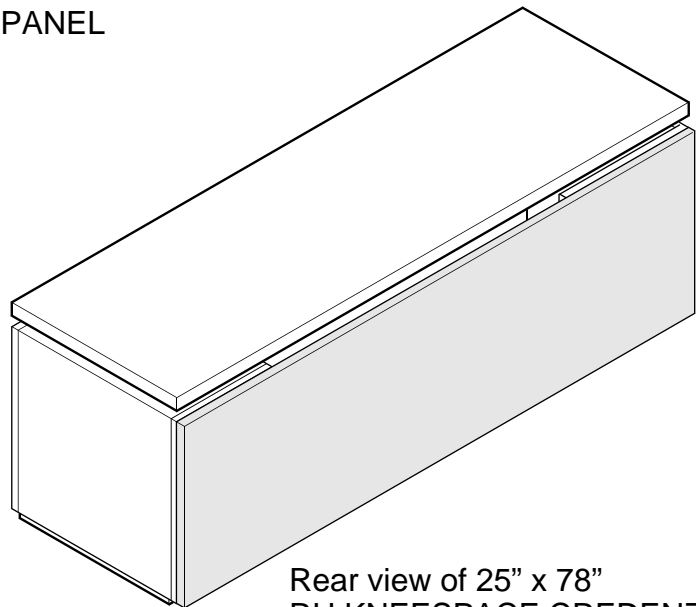


# IMPACT - Attaching a Modesty Panel to a Desk or a Finished Back Panel to a Credenza

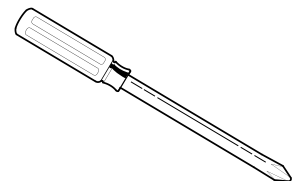
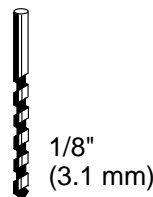
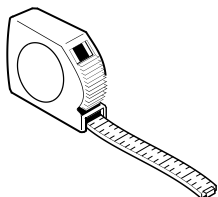


Rear view of 30" x 72"  
DOUBLE PEDESTAL DESK  
with a 66" MODESTY PANEL



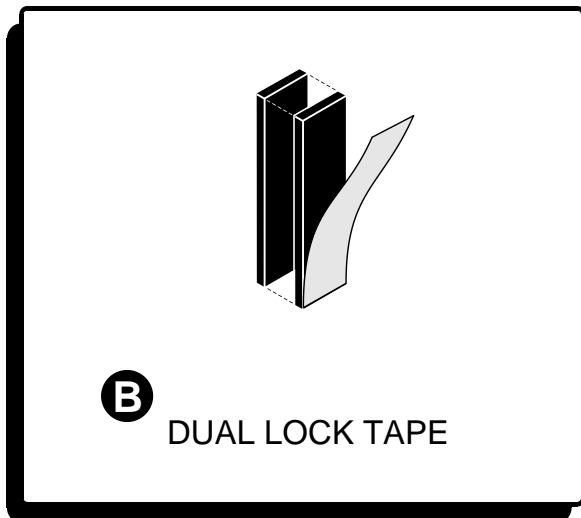
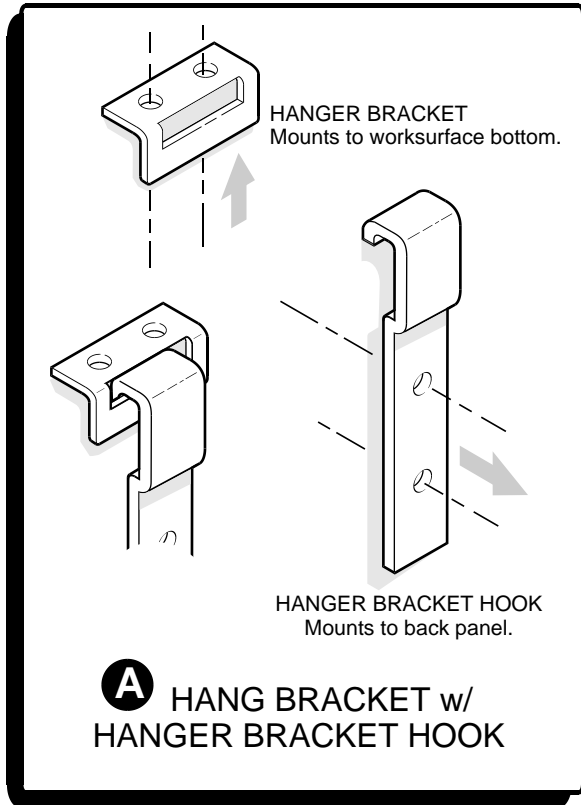
Rear view of 25" x 78"  
RH KNEESPACE CREDENZA  
with A 78" FINISHED BACK PANEL

## Tools

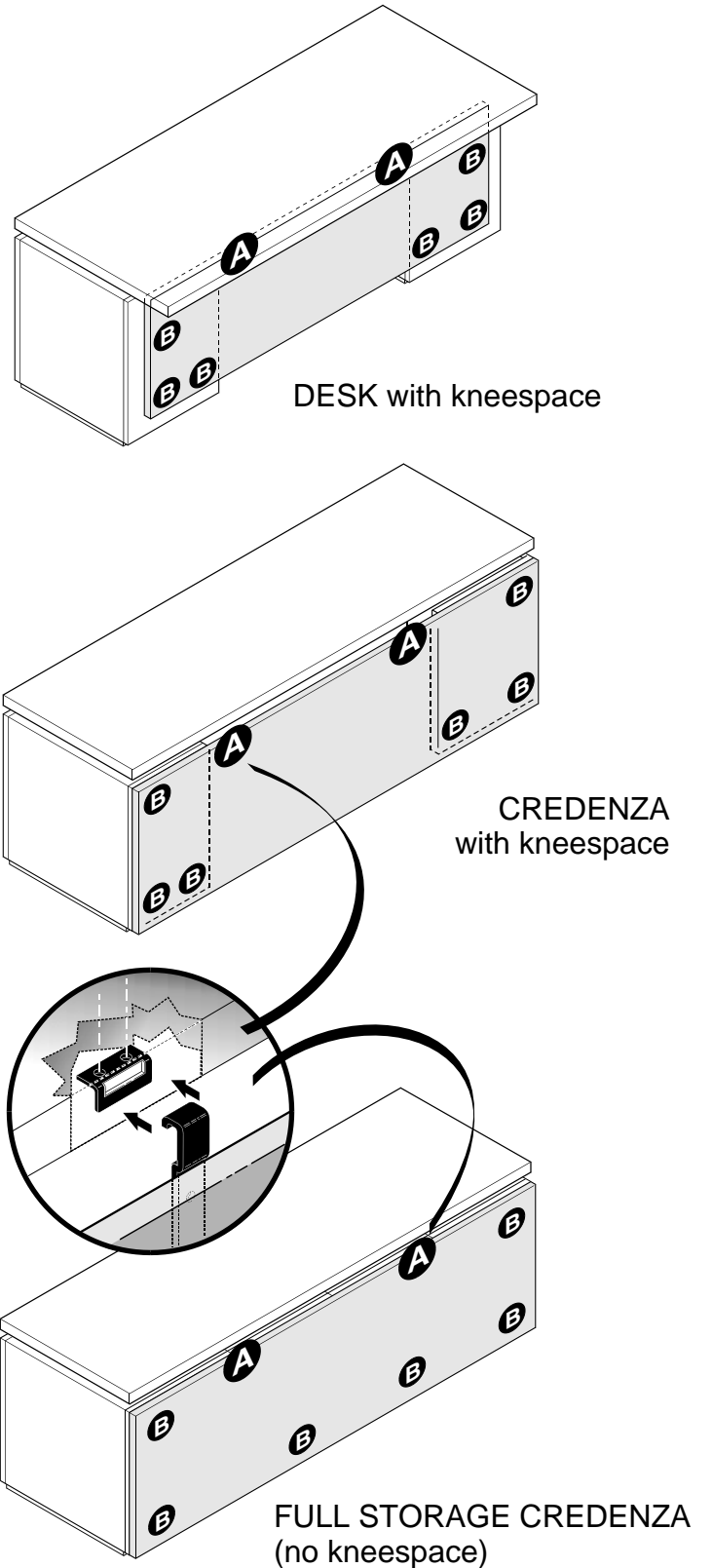


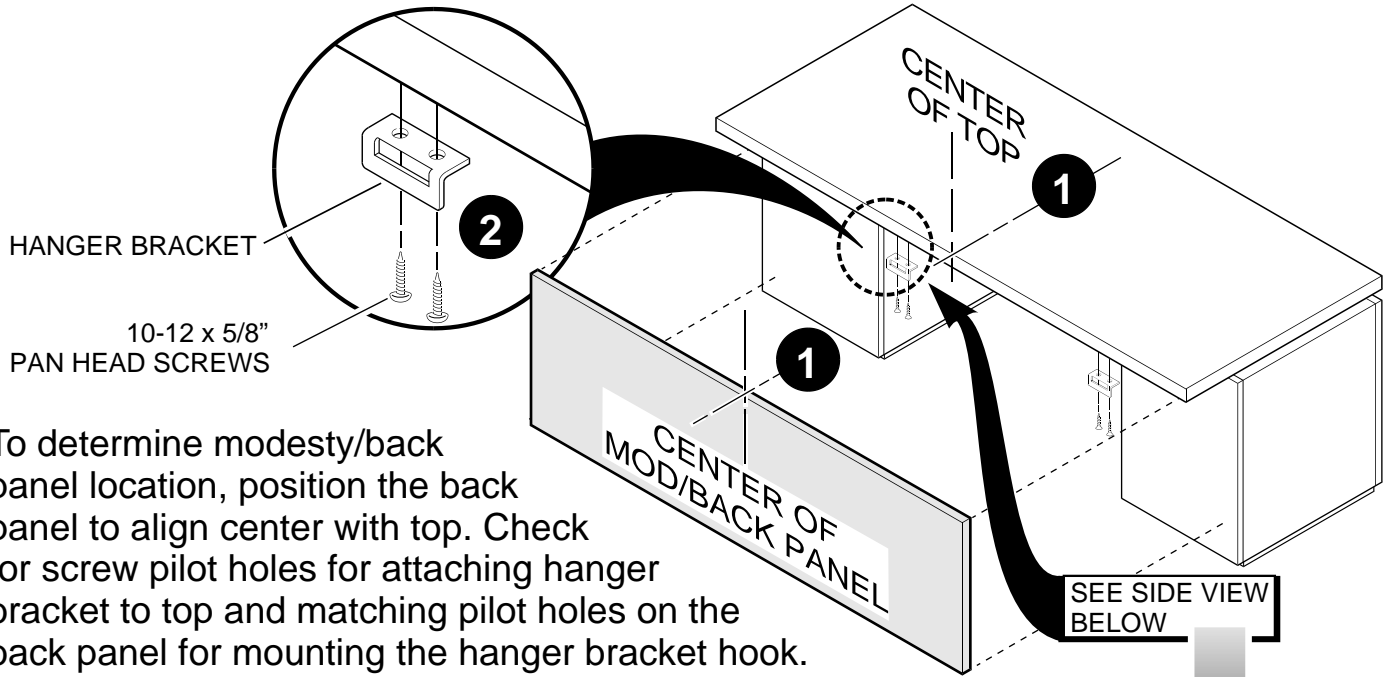
This page shows the various support hardware used to secure a modesty or a finished back panel onto the back of different units. Letters (A & B) designate hardware mounting locations.

## ATTACHING HARDWARE



## WHERE USED



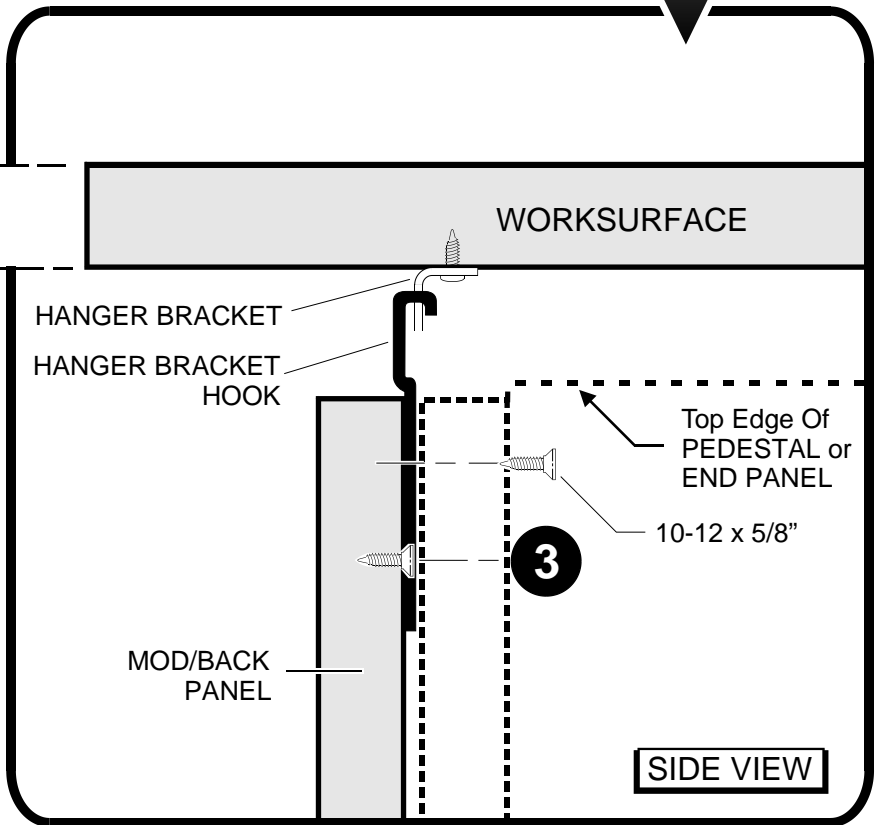


1. To determine modesty/back panel location, position the back panel to align center with top. Check for screw pilot holes for attaching hanger bracket to top and matching pilot holes on the back panel for mounting the hanger bracket hook.

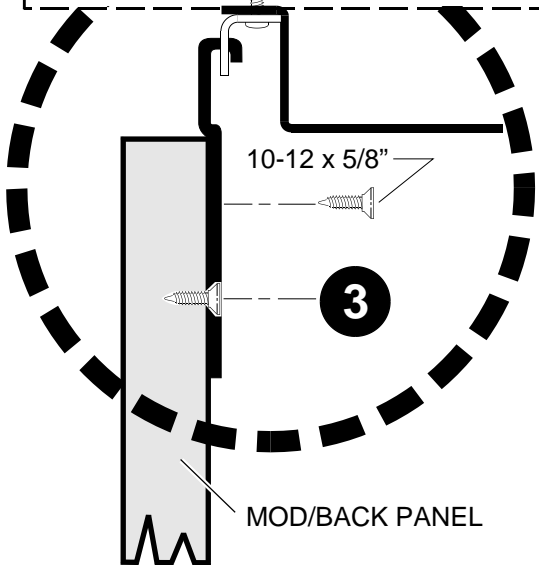
**NOTE**

In flex base applications, use outer most pilot holes for attaching modesty/back panel hanger bracket and hook.

2. Install (2) hang brackets in routs in underside of top. Locate them above pilot holes in panel.

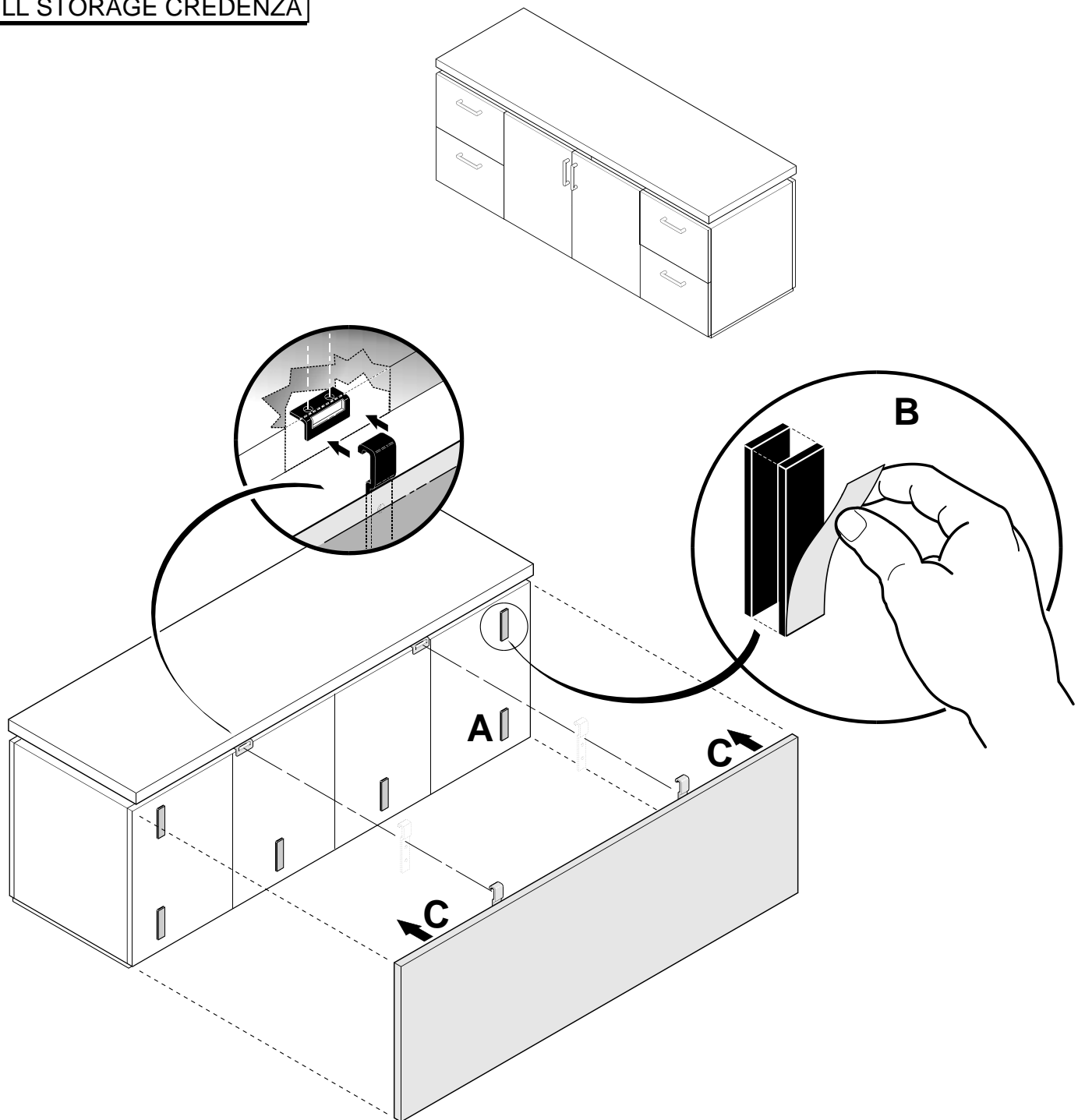


**FOR TECH CENTER ONLY:**  
Install bracket on rail as shown.



3. Attach hanger bracket hooks to modesty/back panel with (2) 10-12 x 5/8" screws.

## FULL STORAGE CREDENZA



1. Install finished back panel as shown.
  - A - Attach dual lock tape to back of credenza in (6) locations.
  - B - Peel off paper backing.
  - C - Press back panel firmly into place.