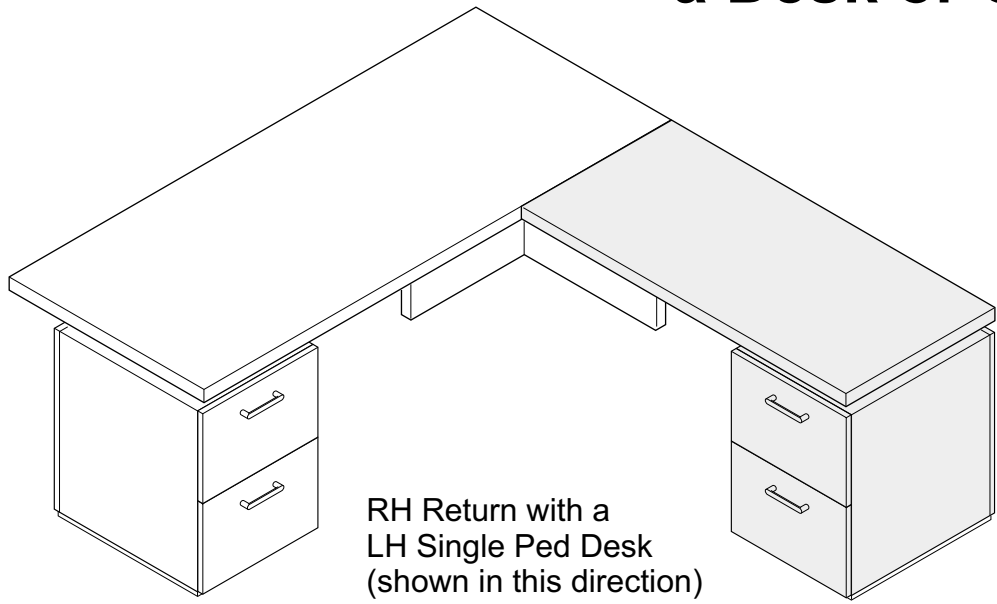
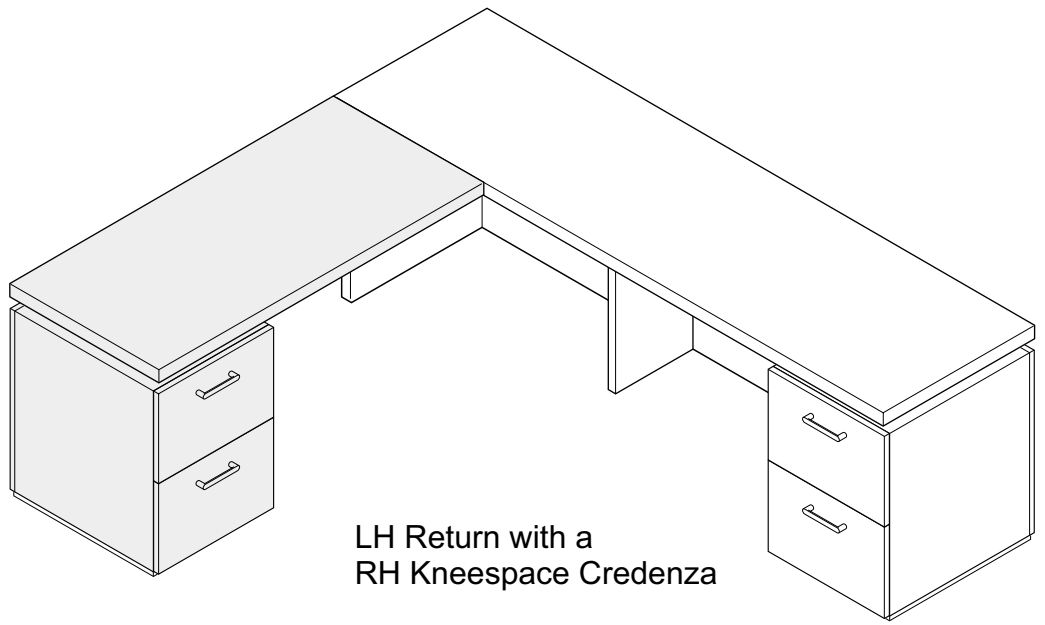


IMPACT - Attaching a Return to a Desk or Credenza

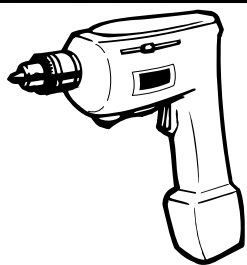
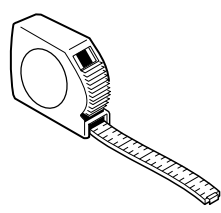


RH Return with a
LH Single Ped Desk
(shown in this direction)

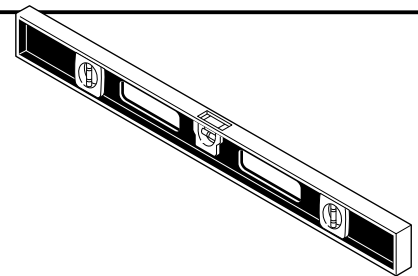


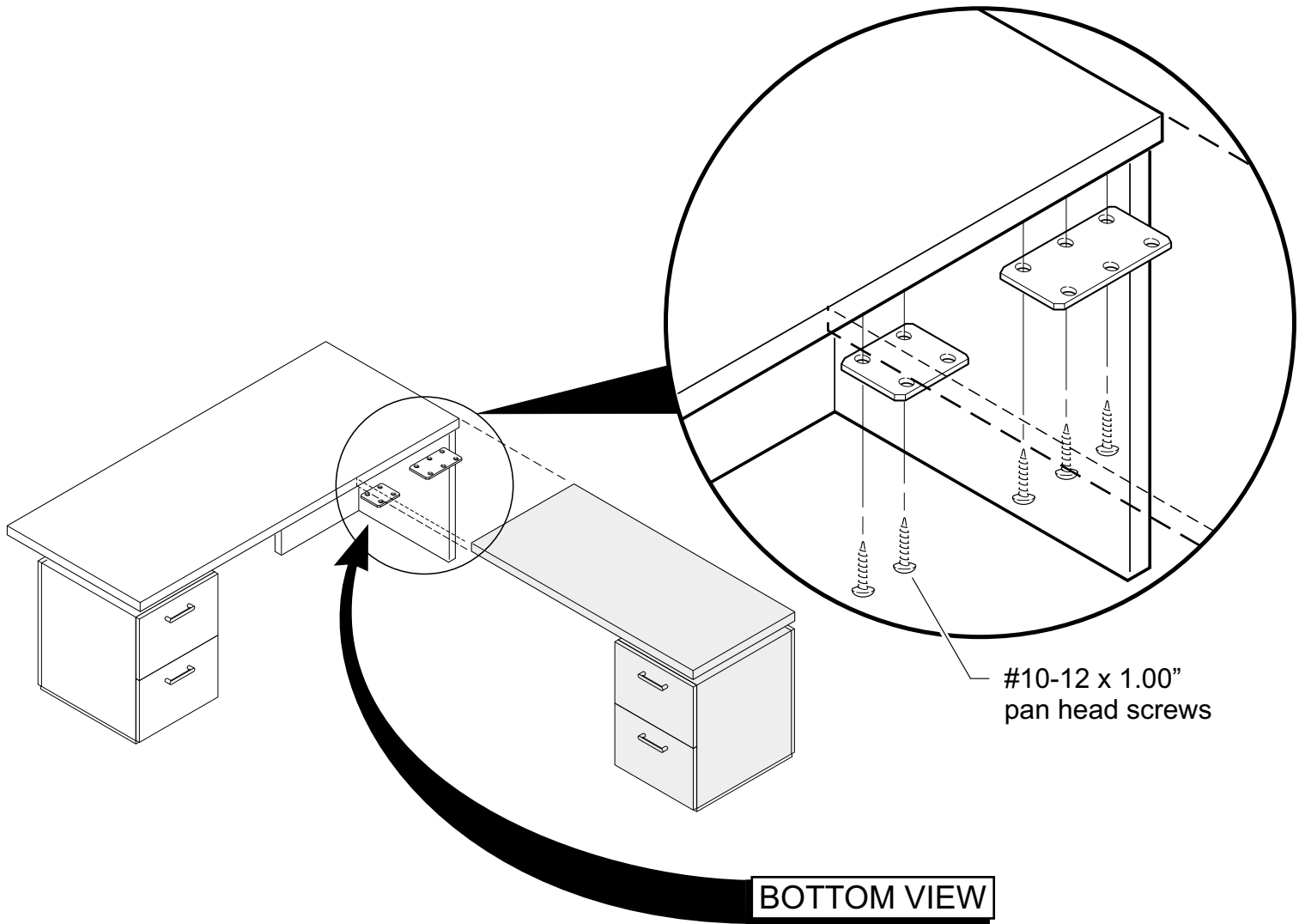
LH Return with a
RH Kneespace Credenza

Tools

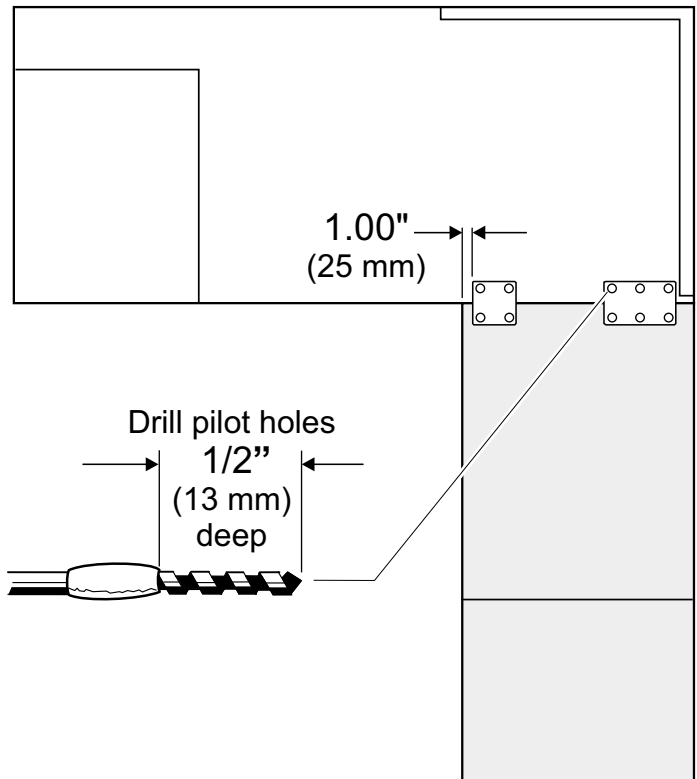


1/8"
(3.1 mm)

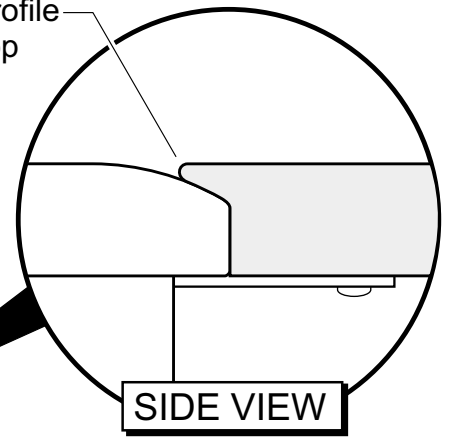




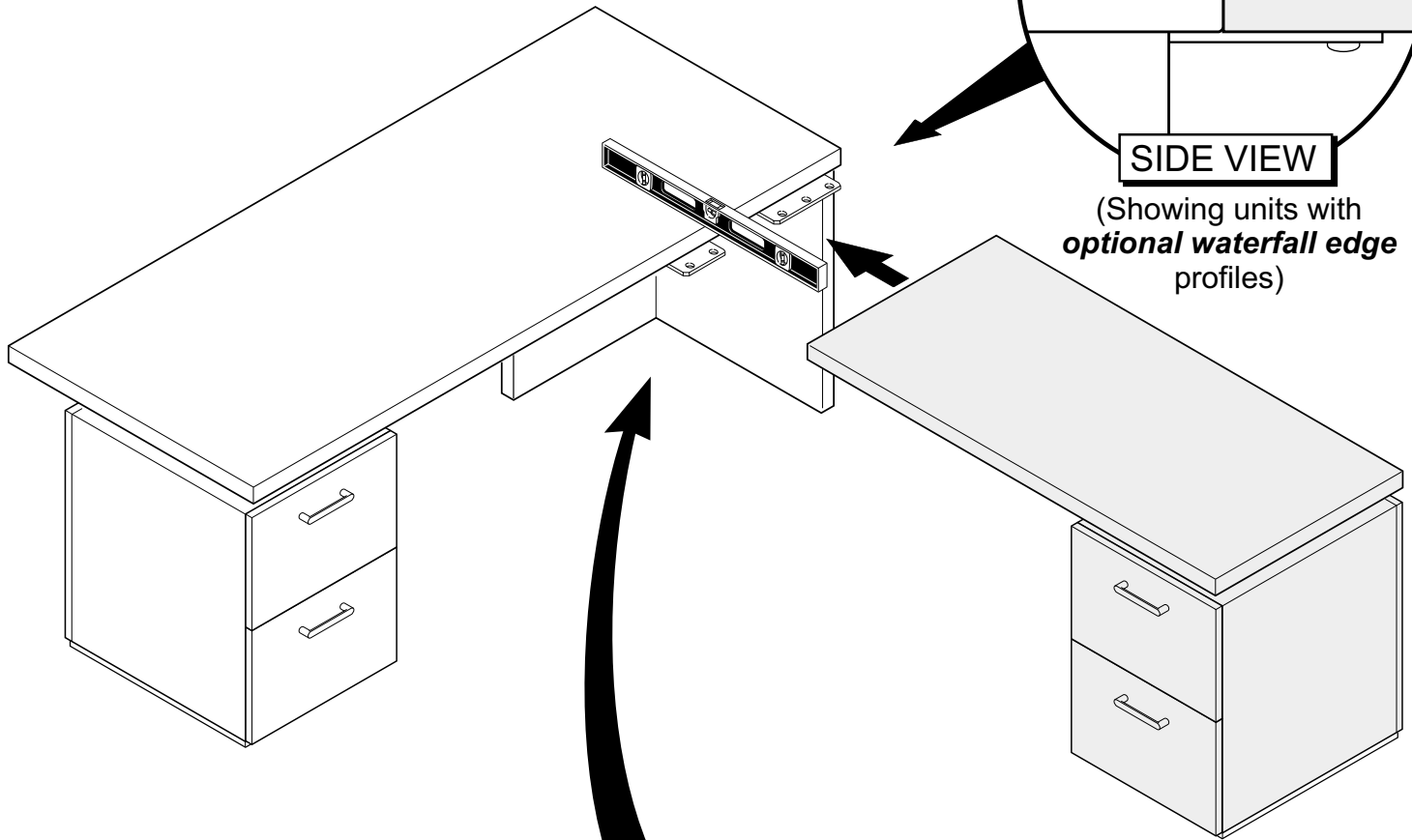
1. Refer to the bottom view to locate and install (2) mounting plates on underside of desk (or credenza).



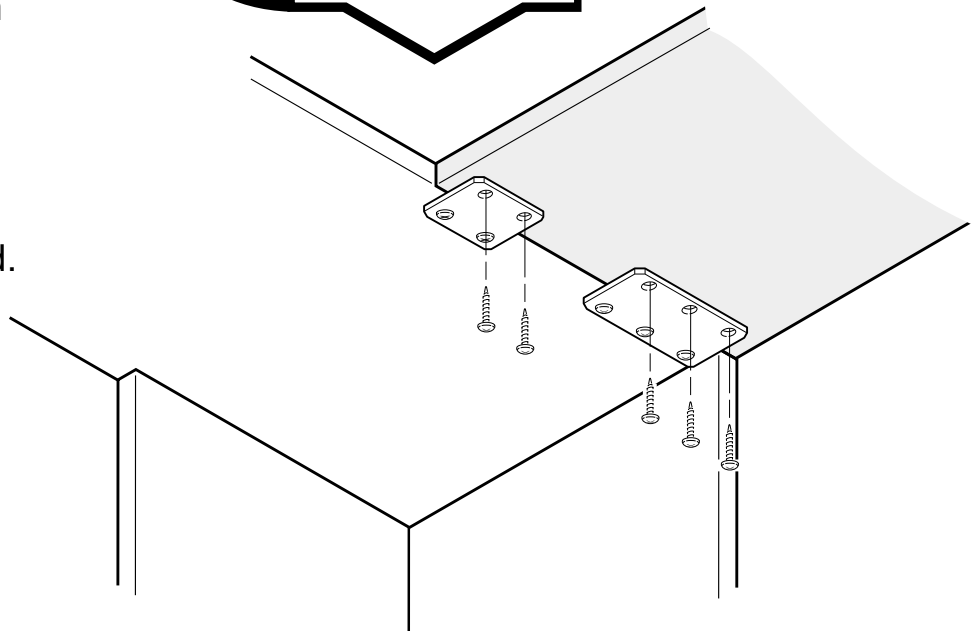
Return has coped profile to fit with waterfall top



(Showing units with optional waterfall edge profiles)



BOTTOM VIEW



- 2.** Move the return into position (it can rest on plates).
- 3.** Adjust leveling glides until tops are completely flush.
- 4.** Secure with screws provided.