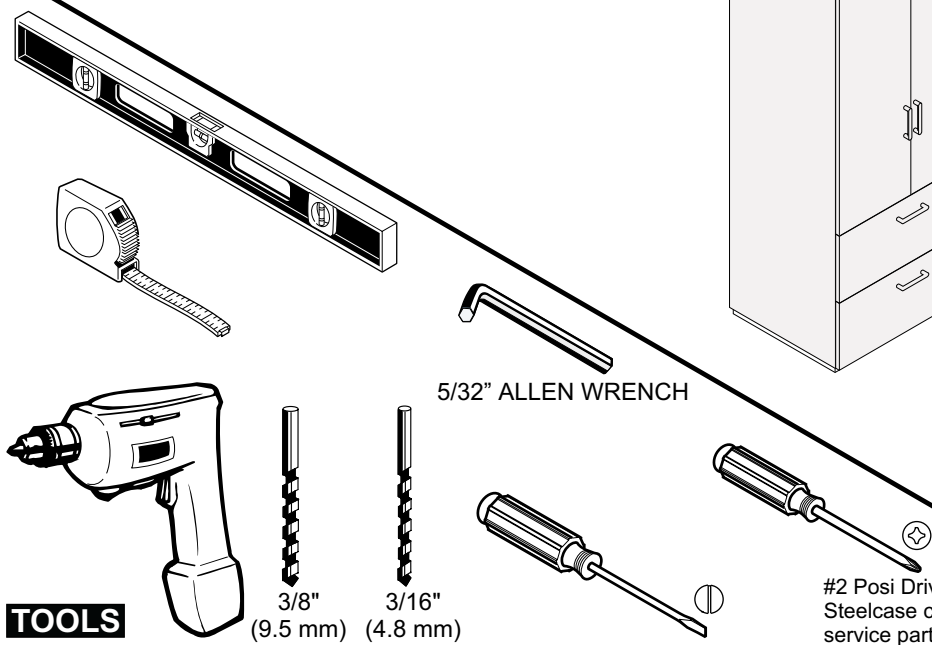
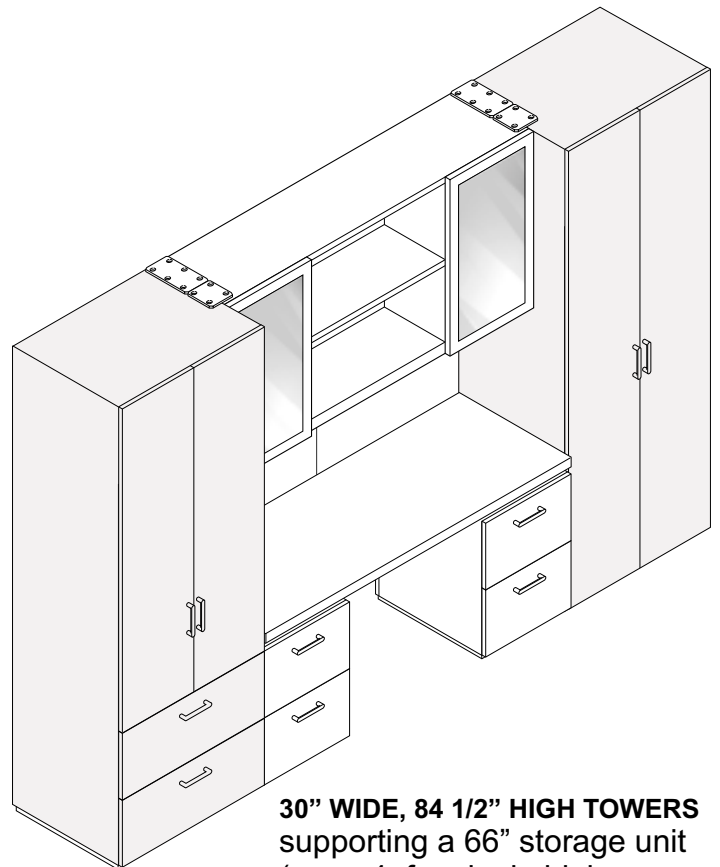
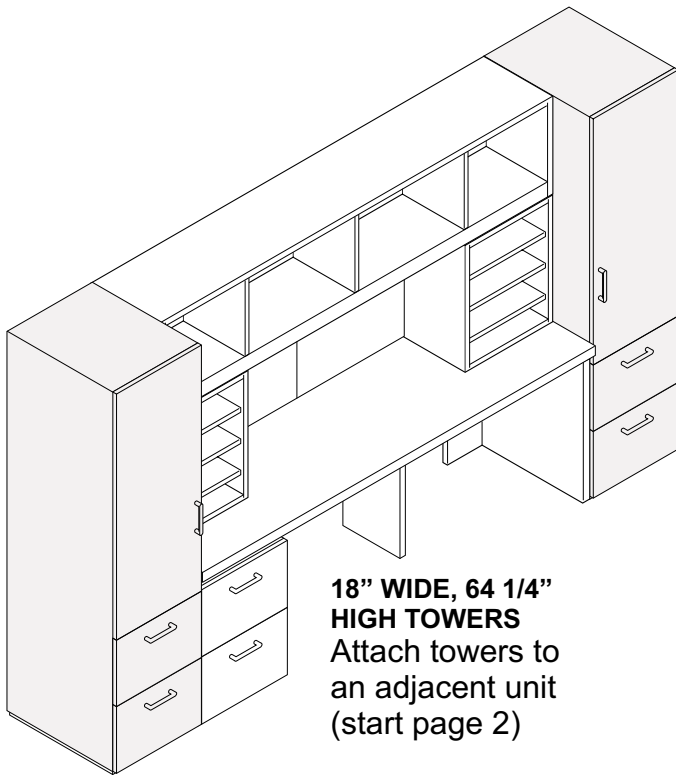


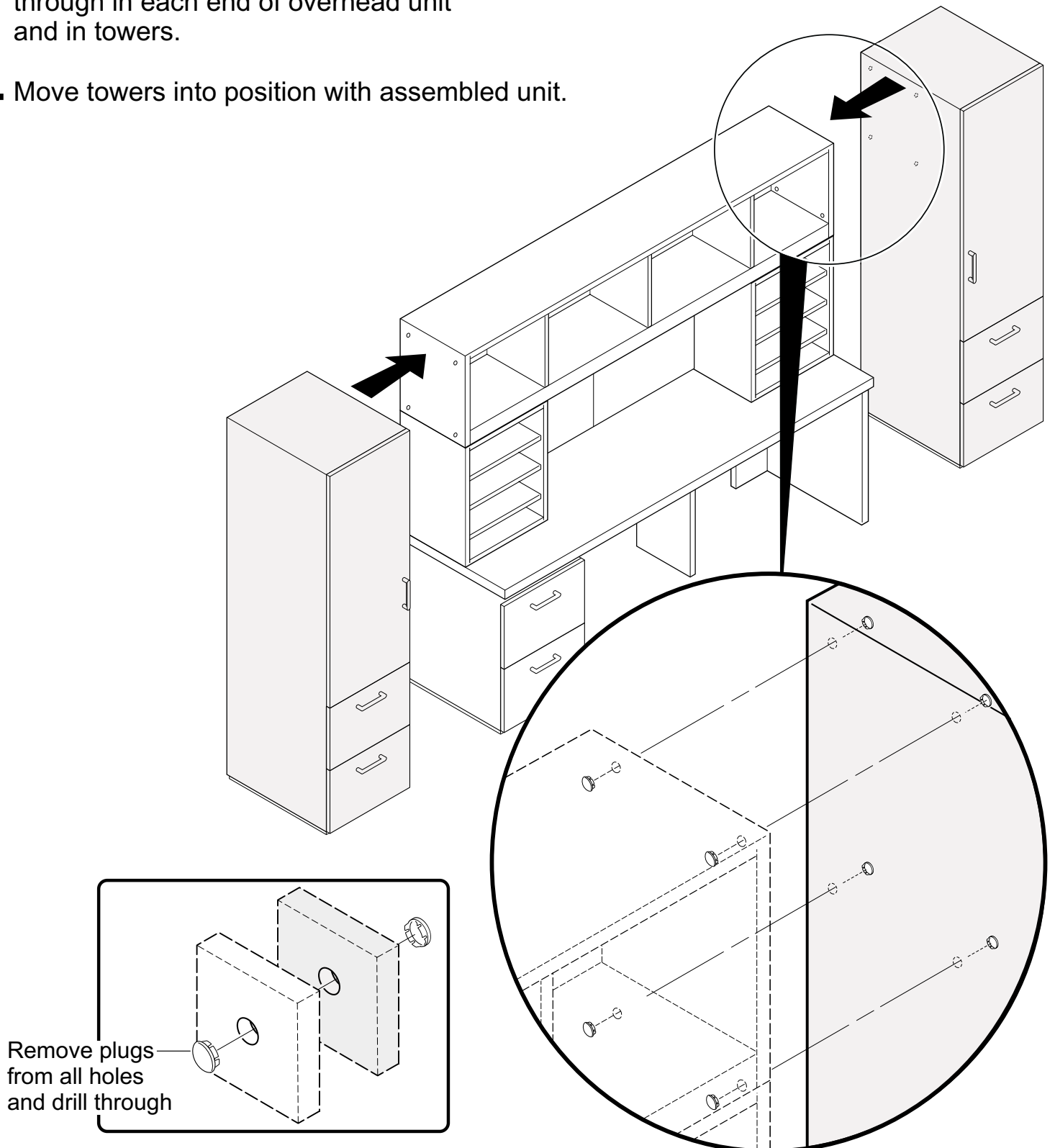
IMPACT - Storage Towers

INDEX	PAGE
Attaching towers to an adjacent assembly	2
Supporting single-height overhead storage with two towers	4
Supporting double-height overhead storage with two towers	7
Tackboard installation	10
Slatwall installation	11
Adjustable shelves	12
Adjusting doors	12



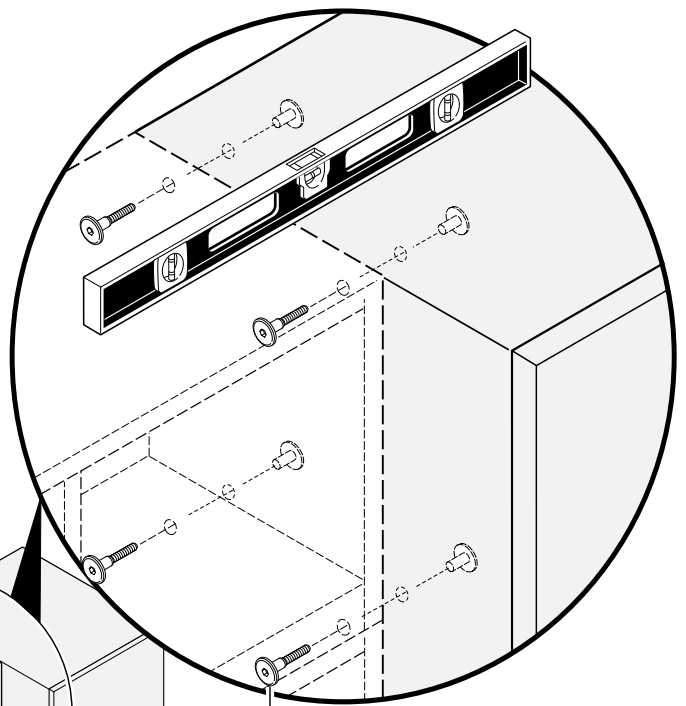
ATTACHING TOWERS TO AN ADJACENT ASSEMBLY

1. Remove plastic plugs and bore (4) holes through in each end of overhead unit and in towers.
2. Move towers into position with assembled unit.

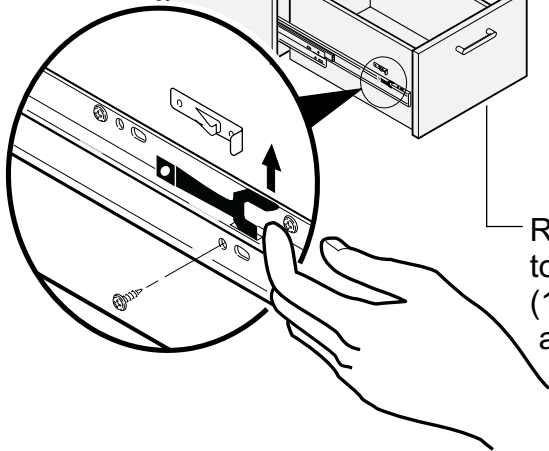
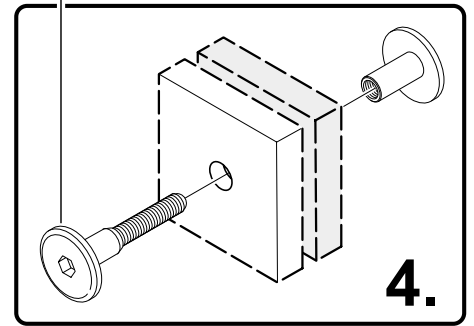


3. Adjust leveling glides until towers are completely flush with adjacent unit (holes must align).

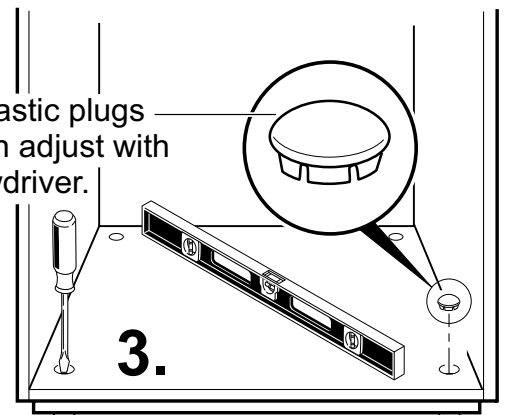
4. Secure units together with (4 per tower) connector bolts as shown.



CONNECTOR BOLTS



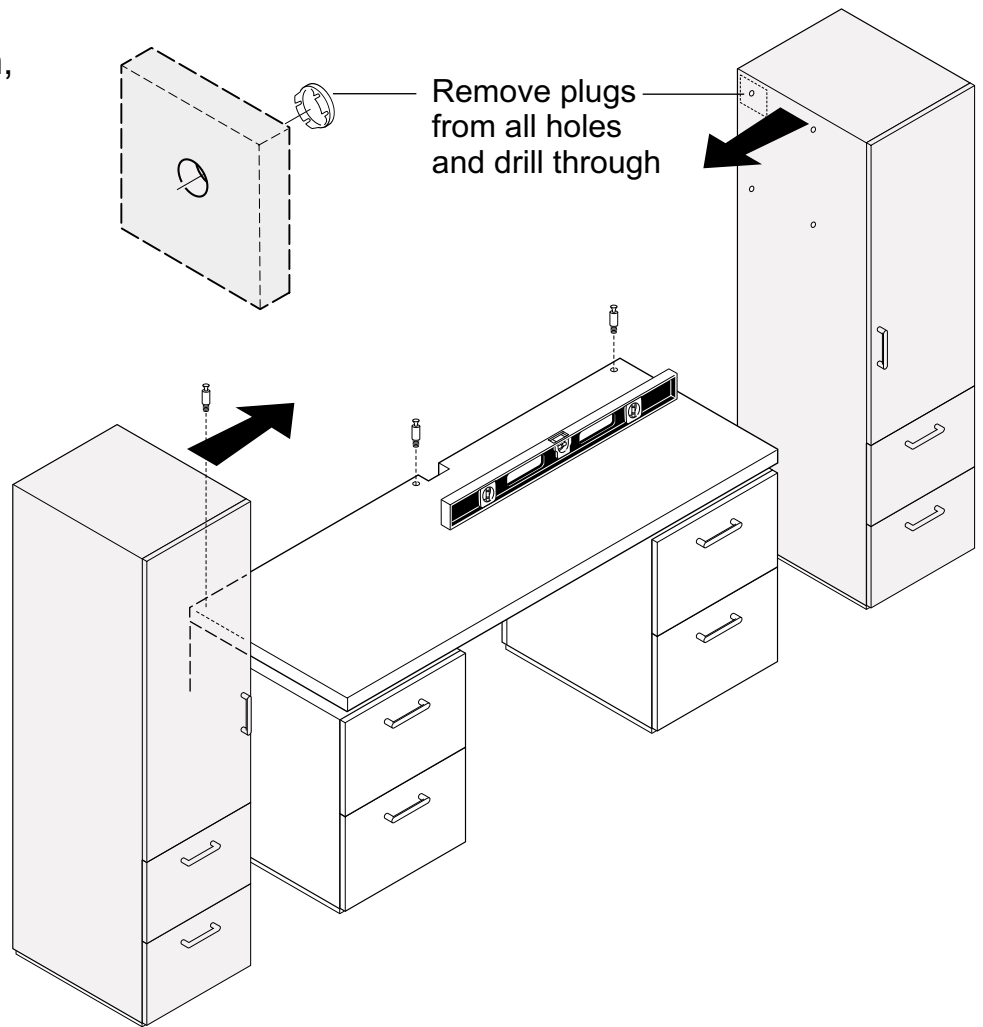
Remove plastic plugs (if any) then adjust with a flat screwdriver.



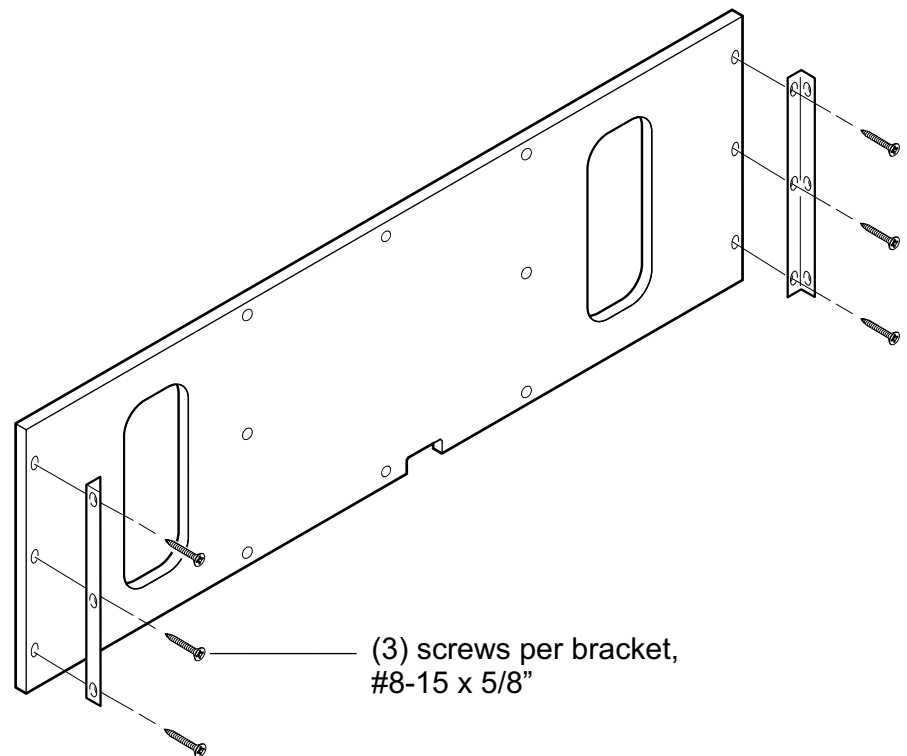
Remove bottom drawer (if any) for access to leveling glides. You may need to remove (1) screw per side, then reinstall when assembly is completed.

SUPPORTING SINGLE-HEIGHT OVERHEAD STORAGE WITH TWO TOWERS

1. Move credenza into position, then make sure it is level.
2. Install (3) steel dowels into predrilled holes in top.
3. Remove plastic plugs from inside of towers, and drill holes through (4 each tower).
4. Move towers next to credenza, not quite touching it.



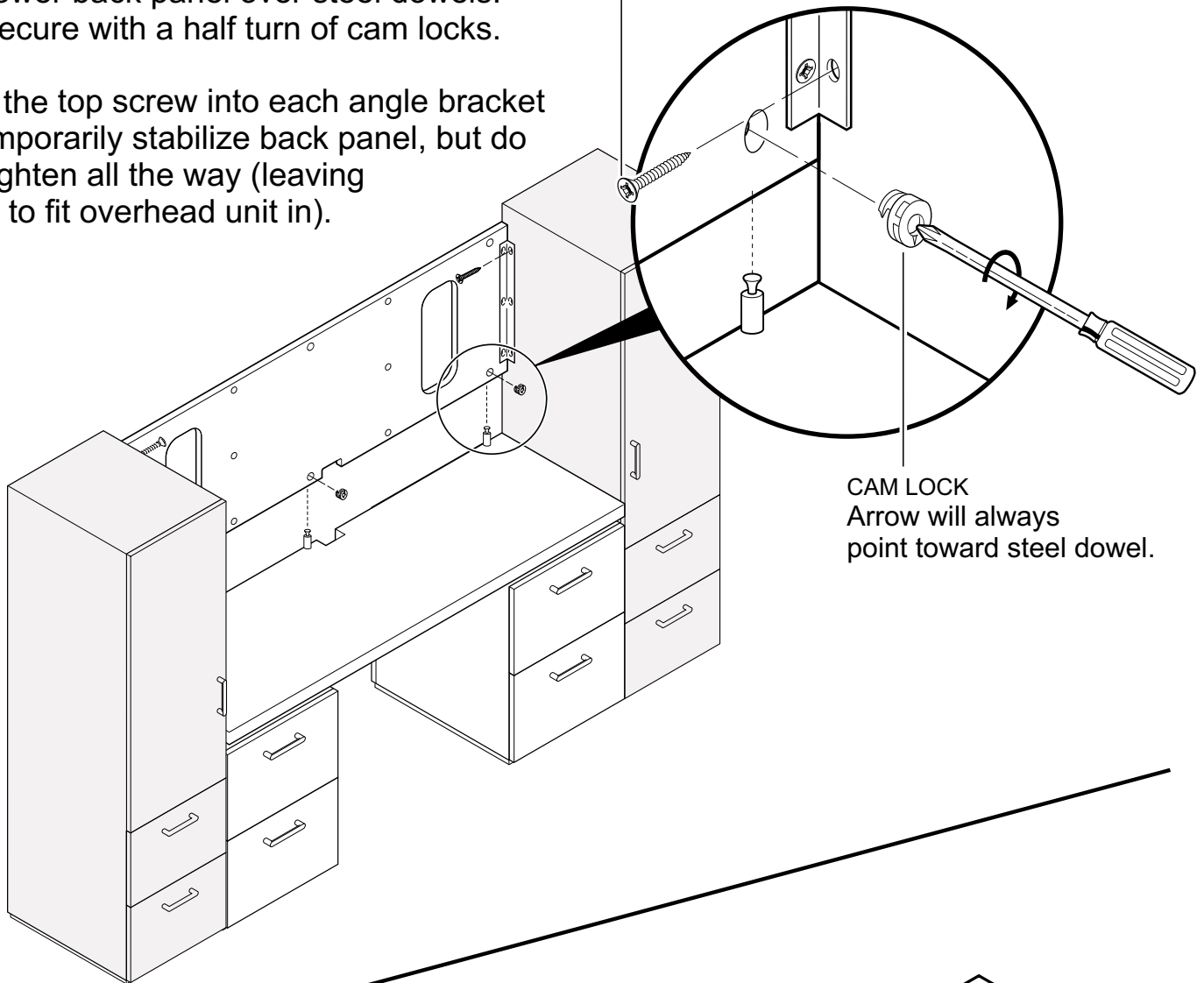
5. Install an angle bracket to each end of back panel.



- 6.** Install back panel on credenza.
- A Insert (3) cam locks into openings in bottom of back panel.
 - B Lower back panel over steel dowels.
 - C Secure with a half turn of cam locks.

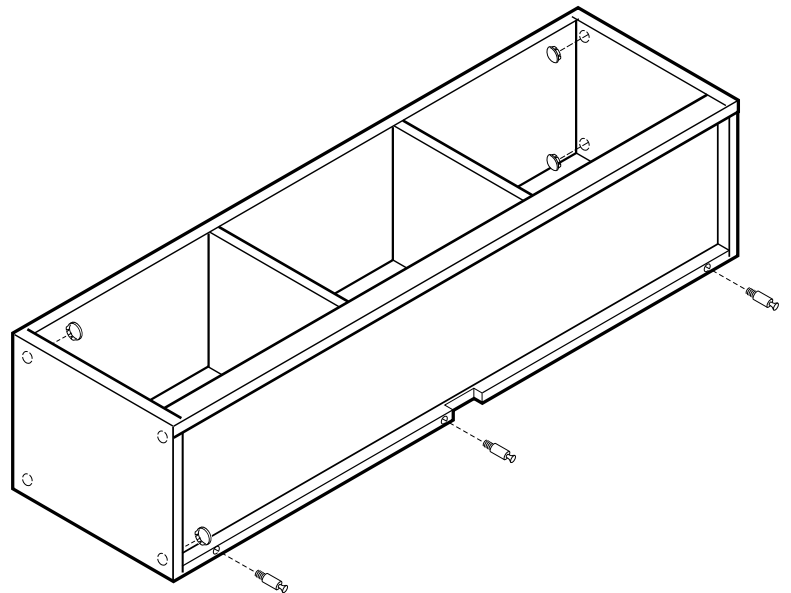
- 7.** Start the top screw into each angle bracket to temporarily stabilize back panel, but do not tighten all the way (leaving room to fit overhead unit in).

(3) screws per bracket
(top screw only at this time),
#8-15 x 5/8" flat head



- 8.** Carefully set overhead storage unit on it's back and install (3) steel dowels.

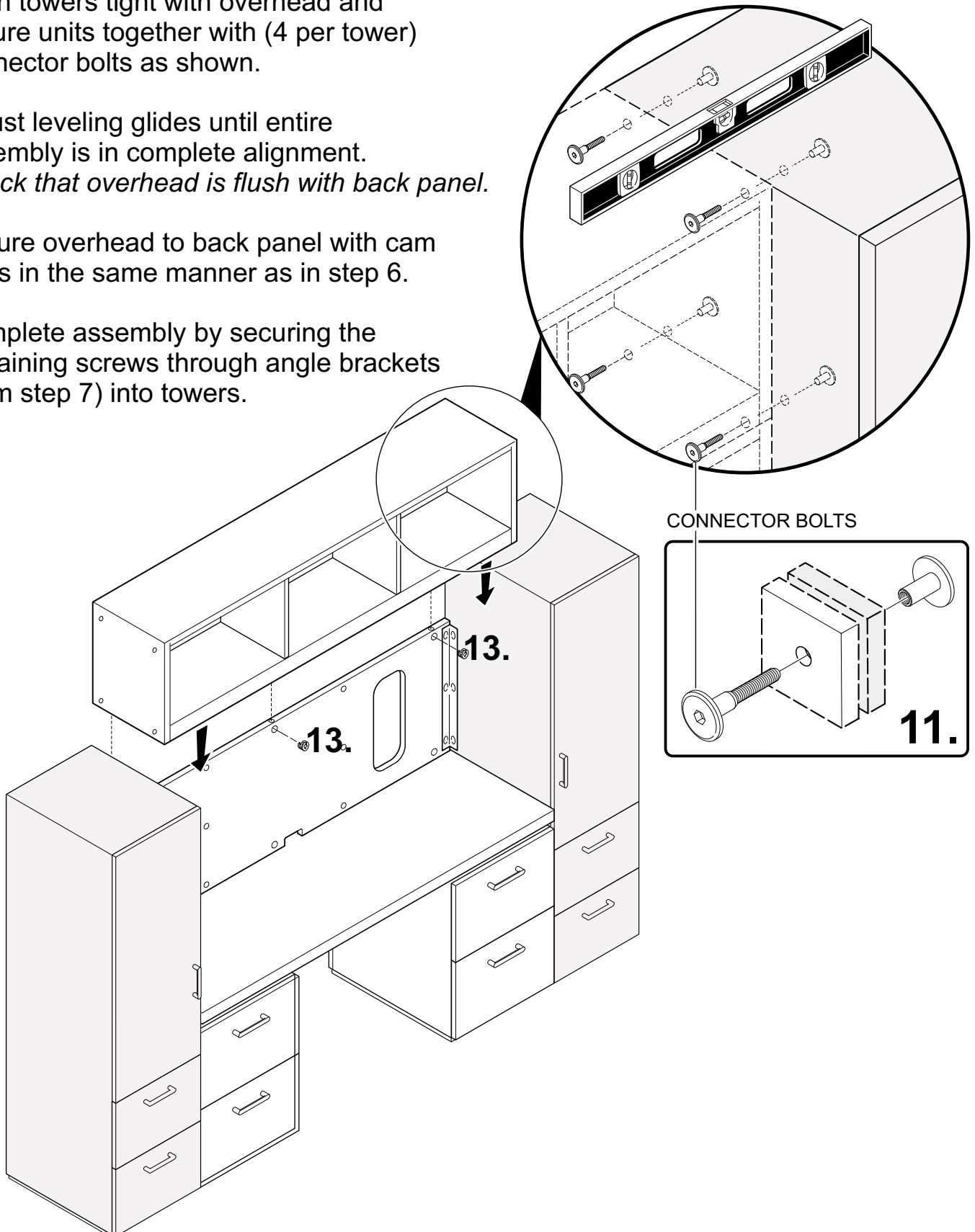
- 9.** Remove (8) plastic plugs and drill holes through.



- 10.** At least two persons are required to lift overhead into position and lower so that steel dowels engage in holes in back panel.

CAUTION: A FURNITURE LIFT IS RECOMMENDED FOR ANY UNIT OVER 66".

- 11.** Push towers tight with overhead and secure units together with (4 per tower) connector bolts as shown.
- 12.** Adjust leveling glides until entire assembly is in complete alignment. *Check that overhead is flush with back panel.*
- 13.** Secure overhead to back panel with cam locks in the same manner as in step 6.
- 14.** Complete assembly by securing the remaining screws through angle brackets (from step 7) into towers.



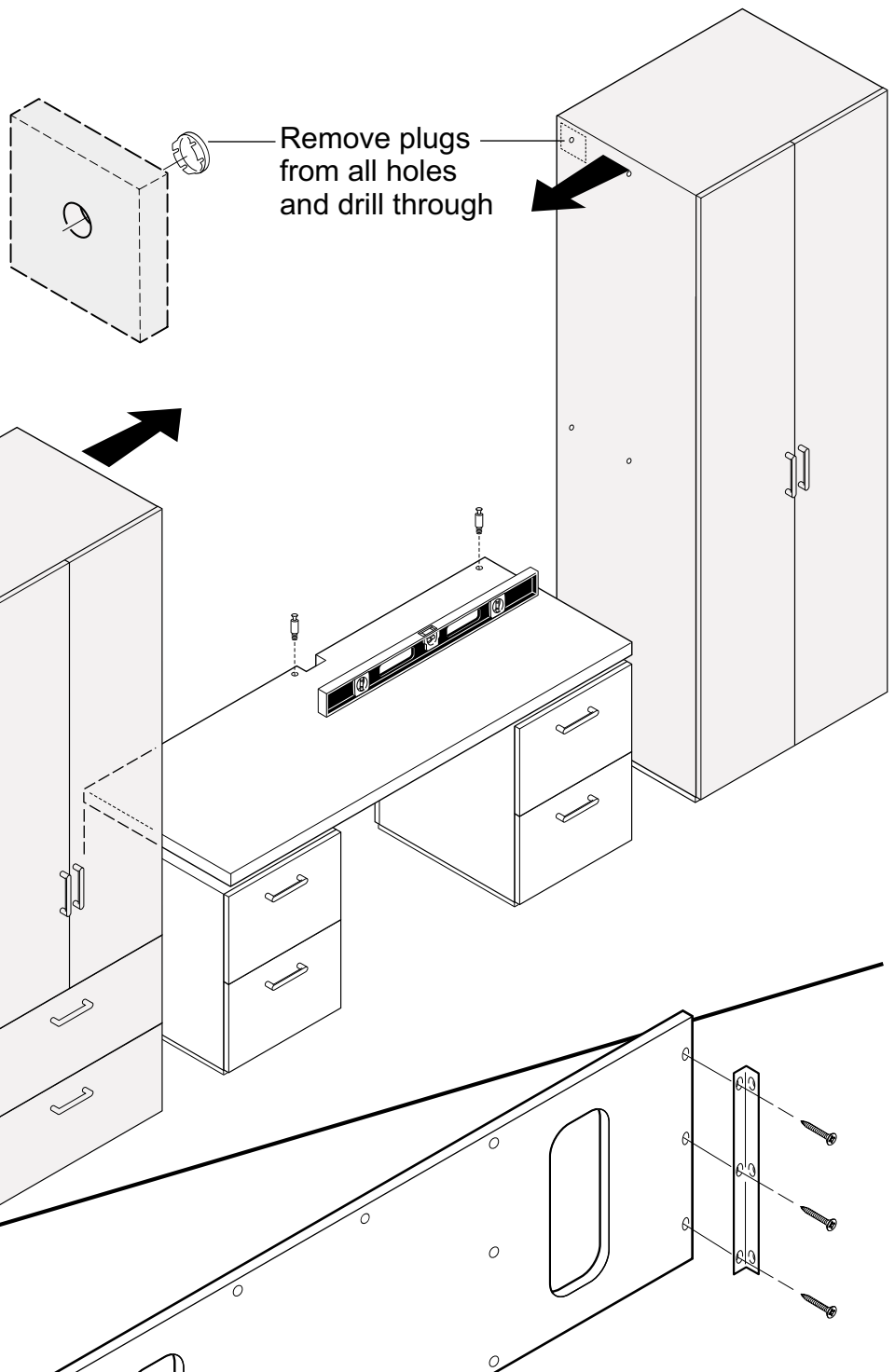
SUPPORTING DOUBLE-HEIGHT OVERHEAD STORAGE WITH TWO TOWERS

1. Move credenza into position, then make sure it is level.

2. Install (3) steel dowels into predrilled holes in top.

3. Remove plastic plugs from inside of towers, and drill holes through (4 each tower).

4. Move towers next to credenza, not quite touching it.



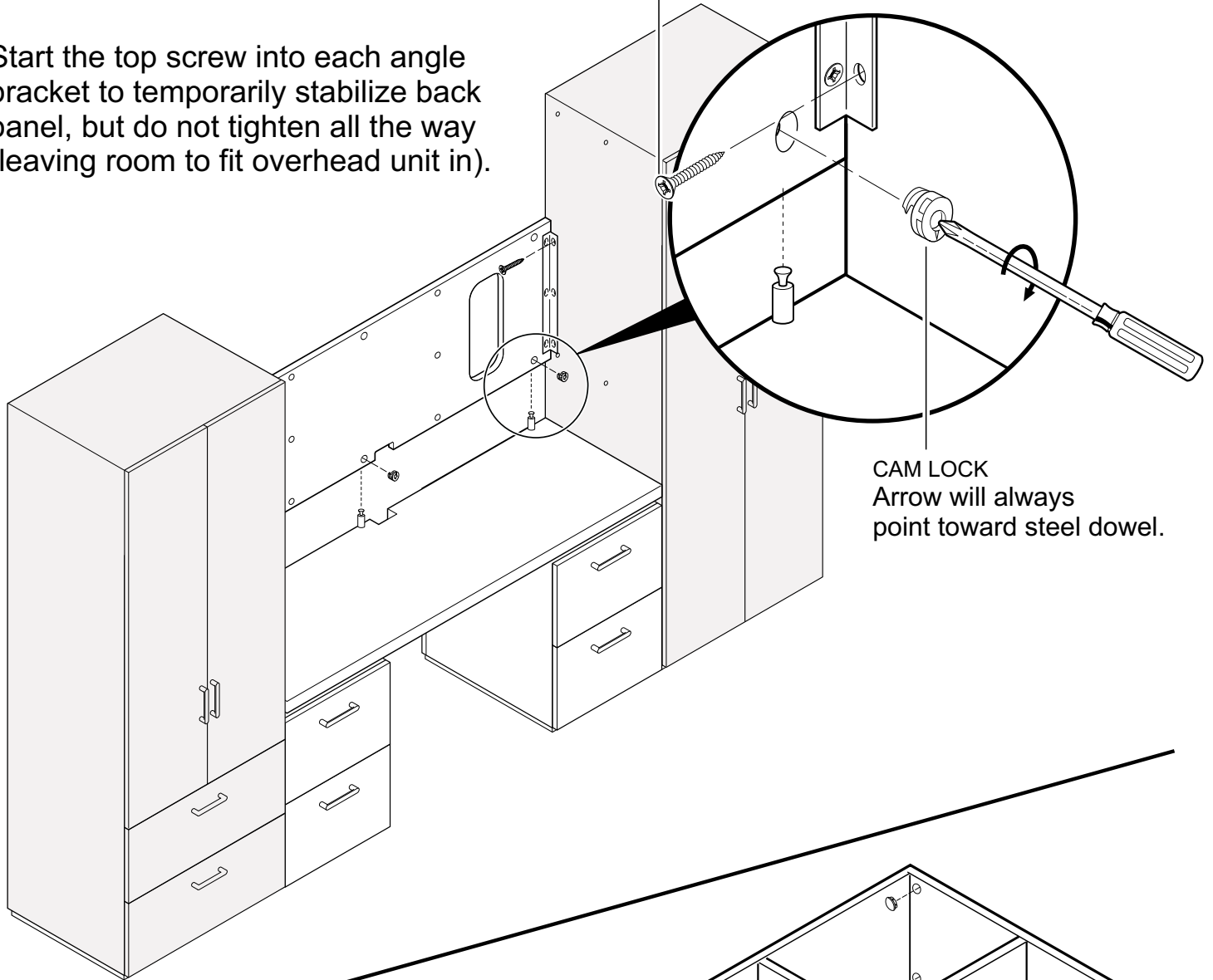
5. Install an angle bracket to each end of back panel.

(3) screws per bracket,
#8-15 x 5/8"

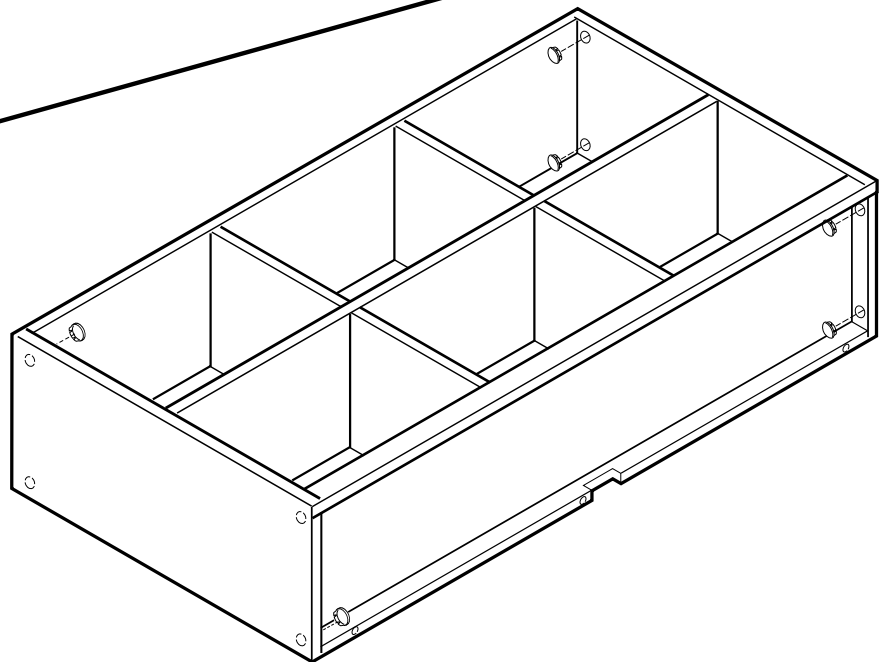
- 6.** Install back panel on credenza.
- A Insert (3) cam locks into openings in bottom of back panel.
 - B Lower back panel over steel dowels.
 - C Secure with a half turn of cam locks.

- 7.** Start the top screw into each angle bracket to temporarily stabilize back panel, but do not tighten all the way (leaving room to fit overhead unit in).

(3) screws per bracket (top screw only at this time), #8-15 x 5/8" flat head



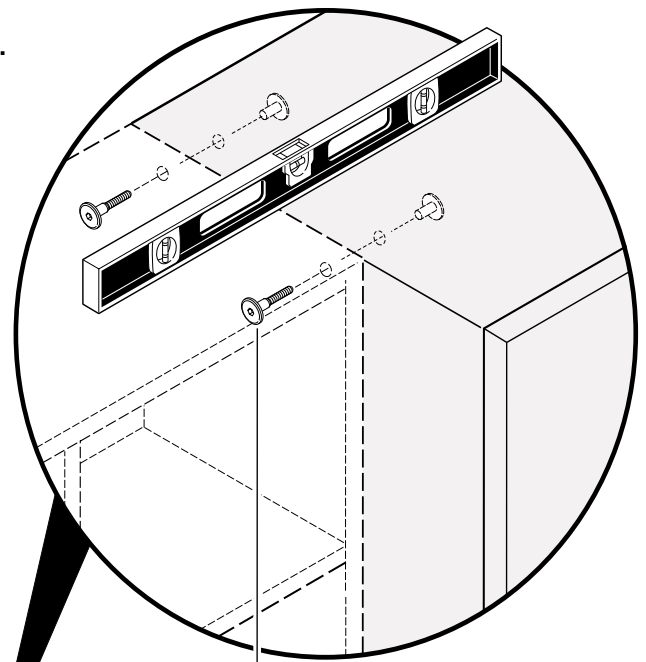
- 8.** Remove (8) plastic plugs and drill holes through in overhead storage unit.



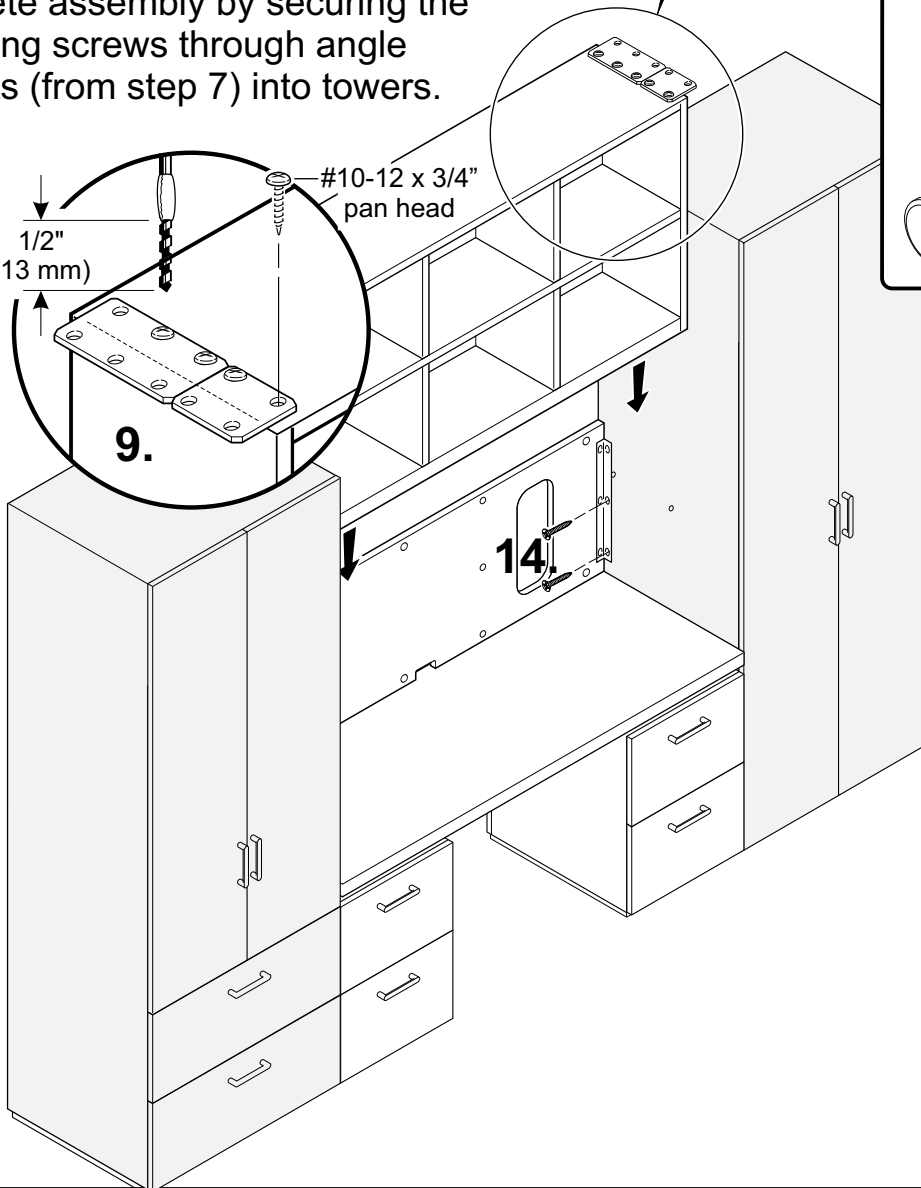
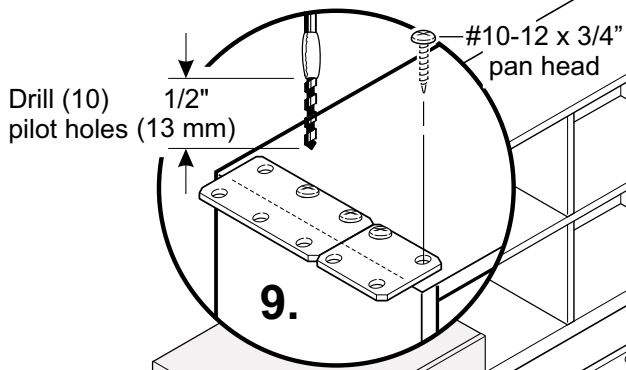
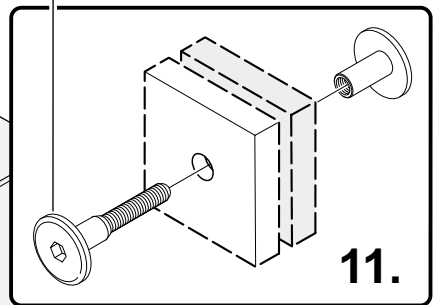
9. Install (4) support plates on overhead as shown.
10. A minimum of two persons are required to lift overhead into position between towers.

CAUTION: A FURNITURE LIFT IS RECOMMENDED

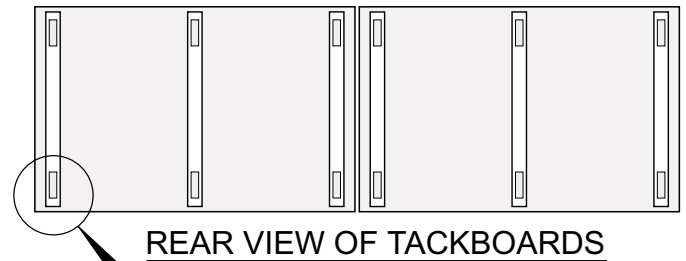
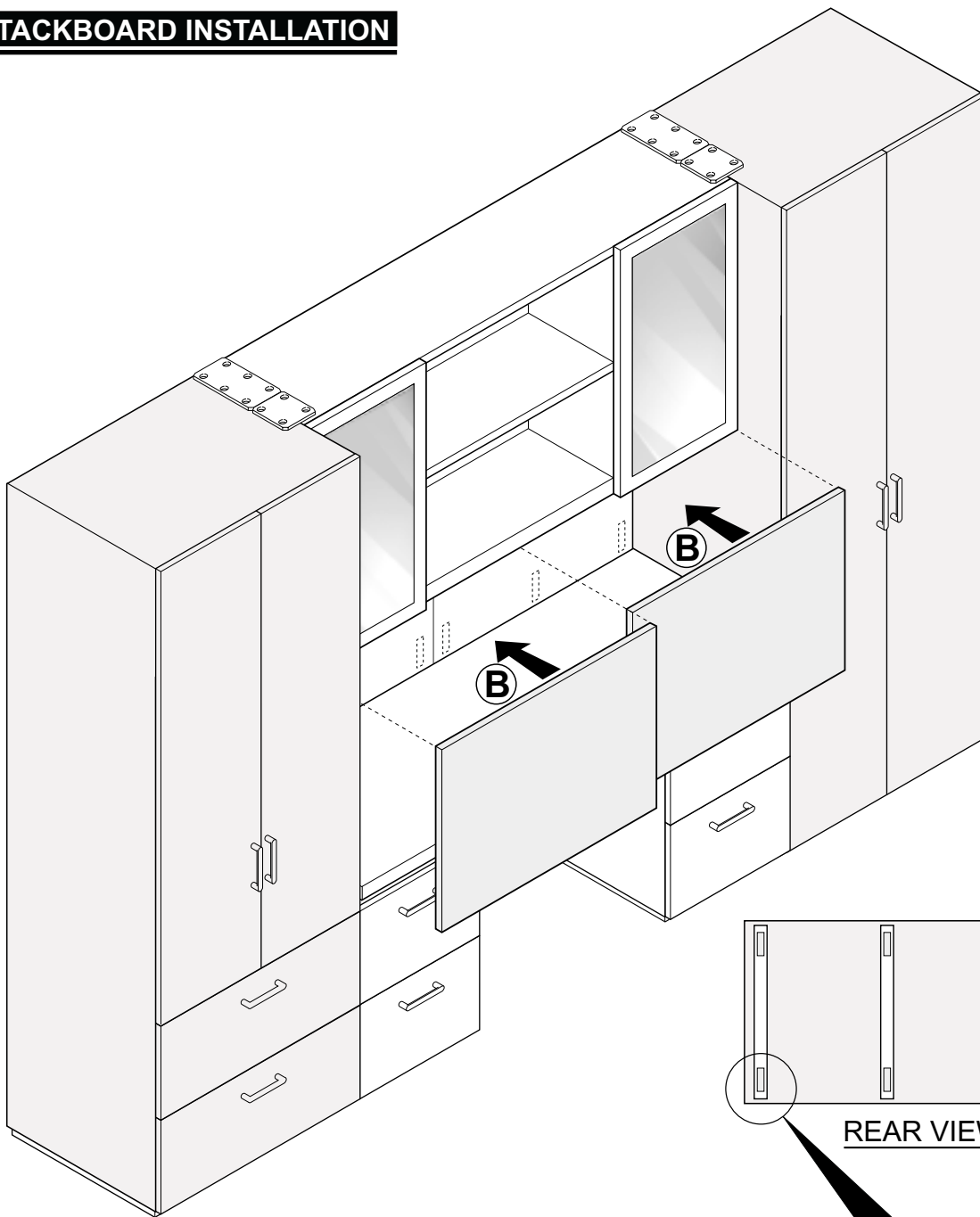
11. Push towers tight with overhead and secure units together with (4 per tower) connector bolts as shown.
12. Install (10) screws through support plates into towers.
13. Adjust leveling glides until entire assembly is in complete alignment. *Check that overhead is flush with back panel.*
14. Complete assembly by securing the remaining screws through angle brackets (from step 7) into towers.



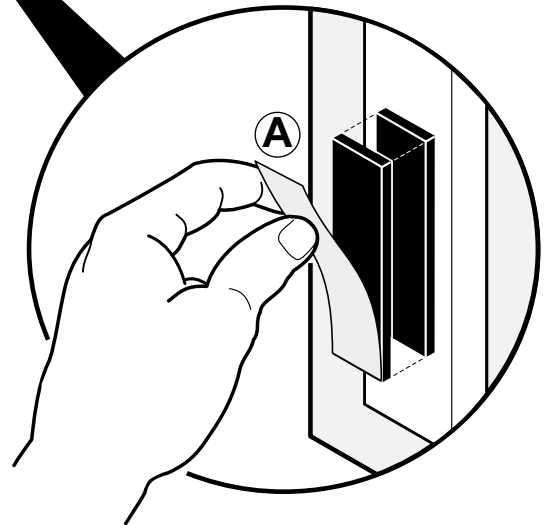
(4) CONNECTOR BOLTS for each tower



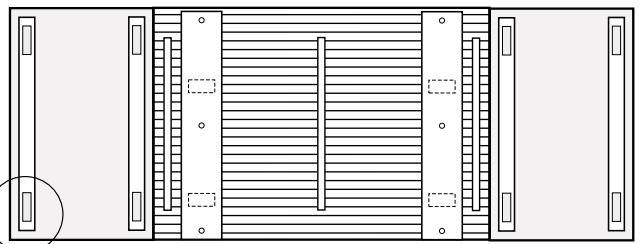
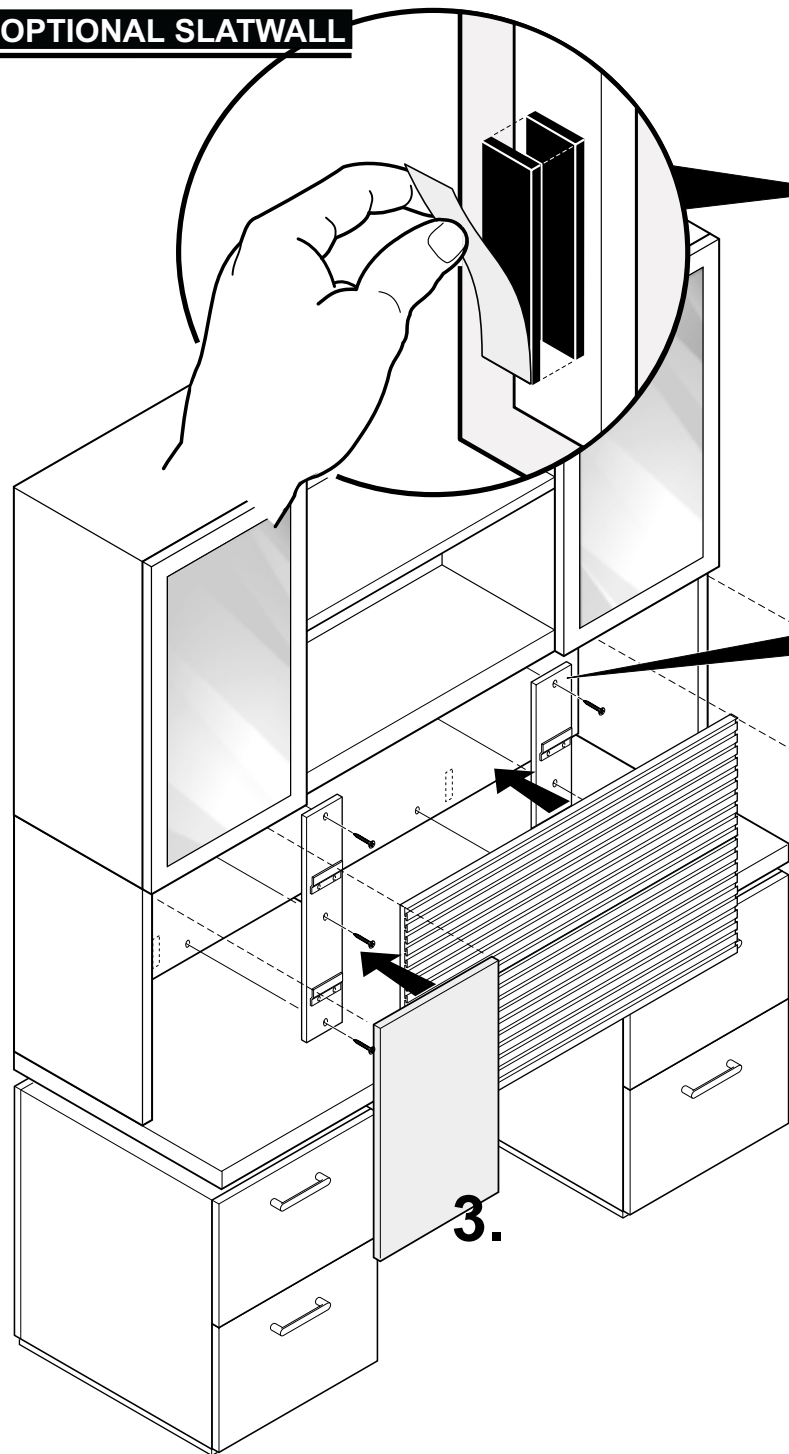
TACKBOARD INSTALLATION



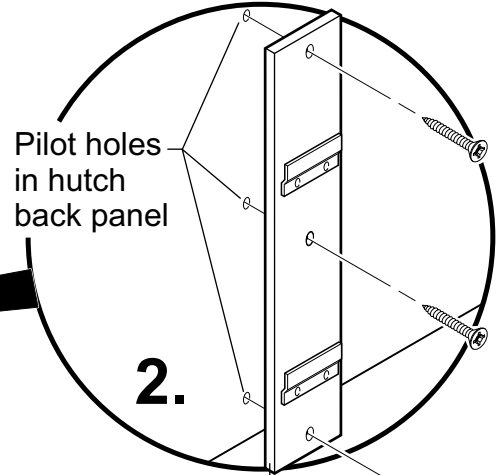
1. Route any cords as needed.
2. Install tackboard panels.
 - A - Peel off paper backing from dual lock tape on rear of tackboards.
 - B - Press tackboards firmly into place.



OPTIONAL SLATWALL



REAR VIEW OF TACKBOARDS and SLATWALL

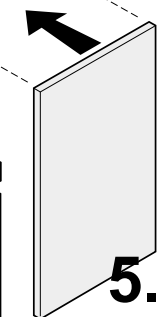


Pilot holes in hutch back panel

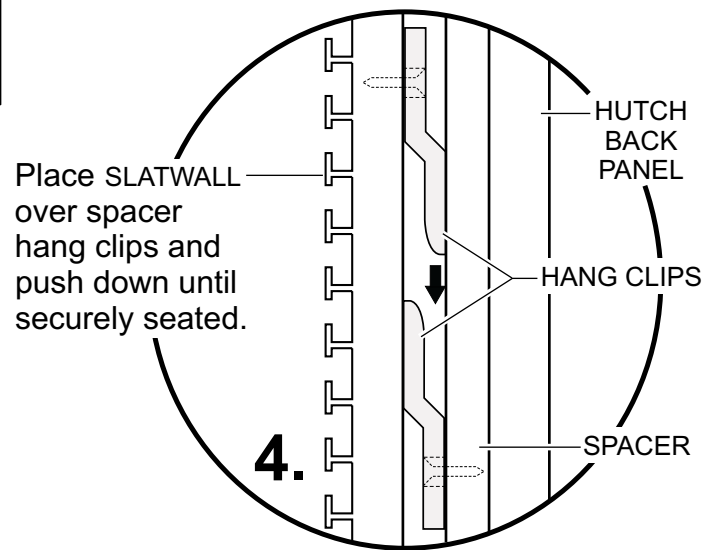
2.

Make sure SPACERS are installed in this orientation.

#8 x 1 1/4" flat head



5.



Place SLATWALL over spacer hang clips and push down until securely seated.

4.

HUTCH BACK PANEL

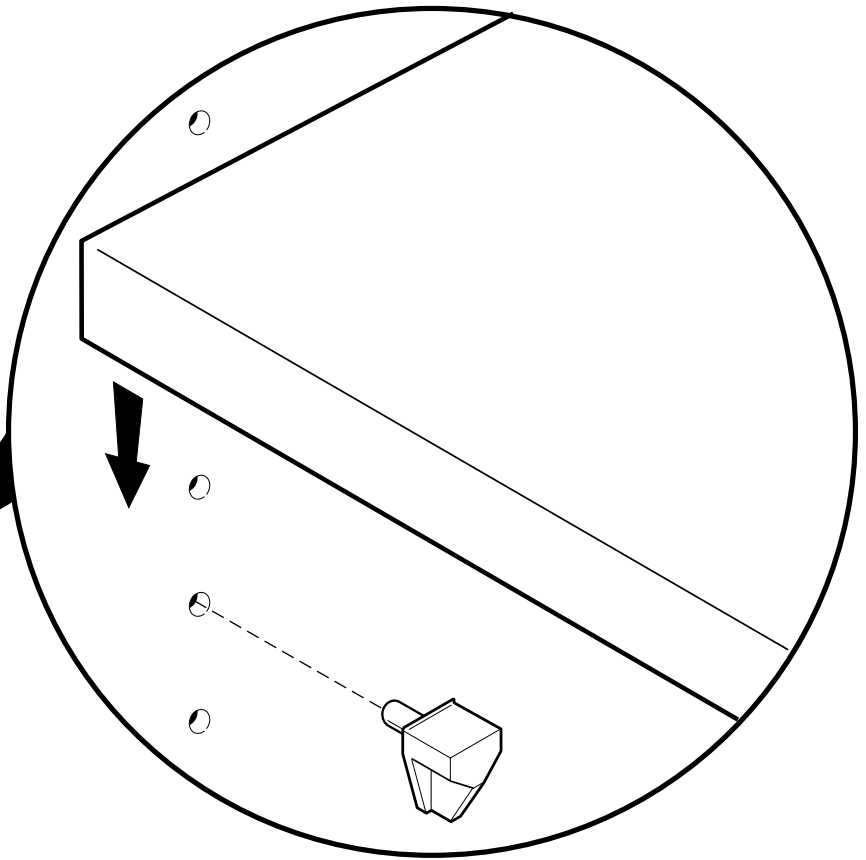
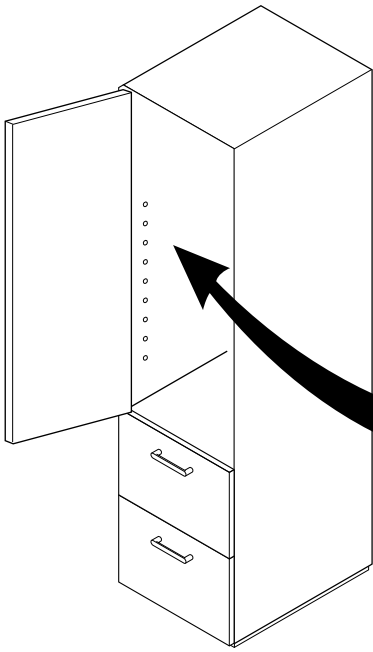
HANG CLIPS

SPACER

SIDE VIEW OF SLATWALL

- 1.** Route any cords as needed.
- 2.** Install (2) spacers on hutch back panel.
- 3.** Install (1) tackboard panel.
A - Peel off paper backing from dual lock tape on rear of tackboard.
B - Press tackboard firmly into place.
- 4.** Install slatwall onto hang clips on spacers (see side view).
- 5.** Install the other tackboard panel.

ADJUSTABLE SHELVES



Locate (4) shelf supports per shelf, then lower shelf into place.

ADJUSTING DOORS

