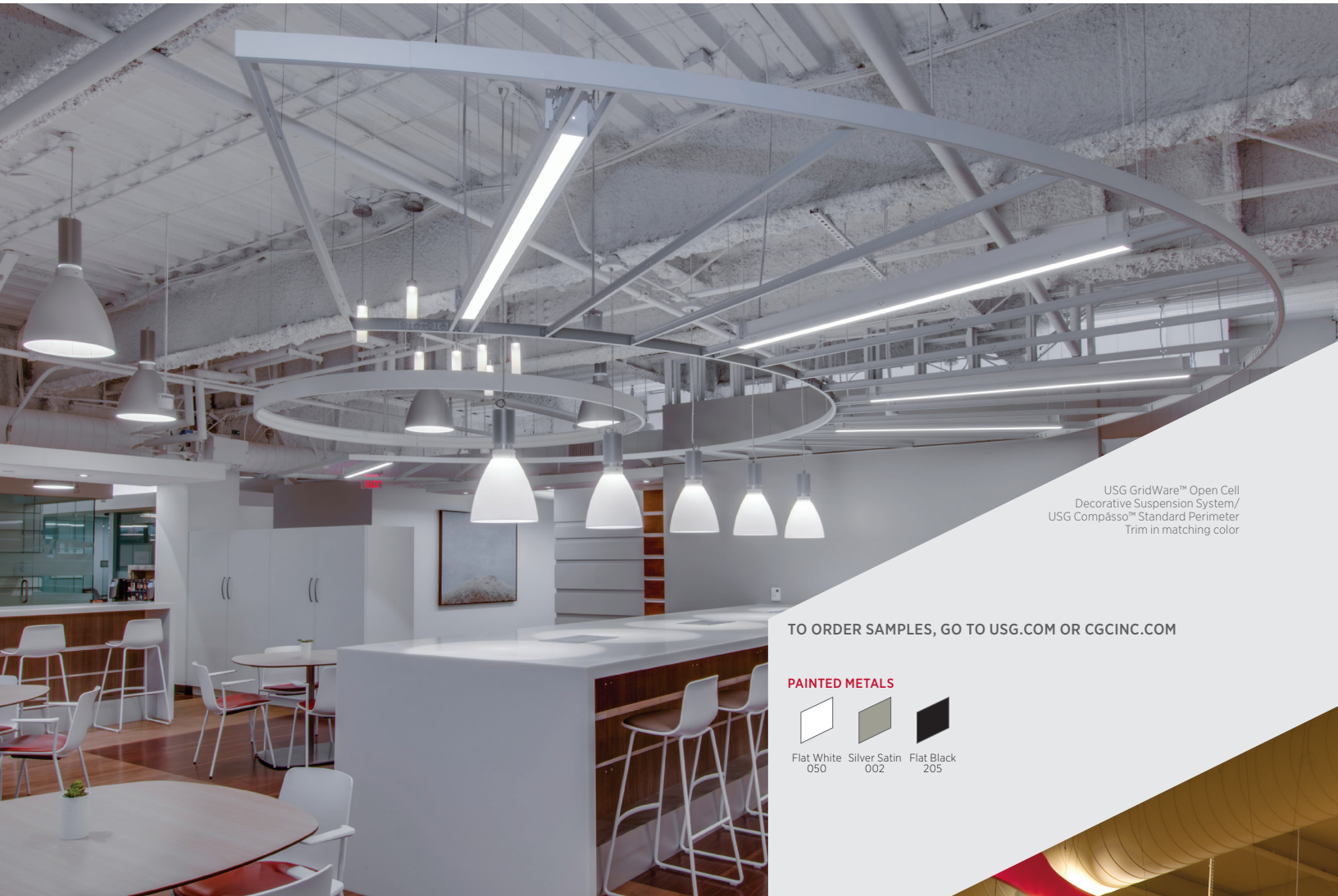


USG GRIDWARE™ OPEN CELL DECORATIVE SYSTEM



USG GridWare™ Open Cell
Decorative Suspension System/
USG Compasso™ Standard Perimeter
Trim in matching color

TO ORDER SAMPLES, GO TO USG.COM OR CGCINC.COM

PAINTED METALS



Flat White
050



Silver Satin
002



Flat Black
205

FEATURES AND BENEFITS

- Open-cell suspension system painted 360°.
- Tees punched with only the necessary cross-tee holes for a clean look.
- Available in three standard grid profiles: 9/16", 15/16" and 1-1/2".
- Simple system readily accommodates standard lay-in light fixtures and air diffusers.
- Custom colors available.

APPLICATIONS

- Accent areas
- Hospitality
- Retail spaces



USG GRIDWARE™ OPEN CELL DECORATIVE SYSTEM

ORDER SAMPLES/LITERATURE
 USG: samplite@usg.com
 fax: 888 874-2348 | usg.com
 CGC: contact Sales Representative

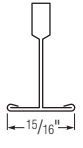
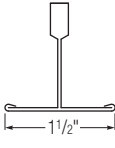
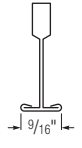
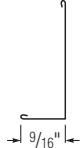
TECHNICAL SERVICES
 800 USG.4YOU (874-4968)

**FOR MOST UP-TO-DATE
 TECHNICAL INFORMATION
 AND LEED REPORT TOOL**
usgdesignstudio.com
cgcdesignstudio.com

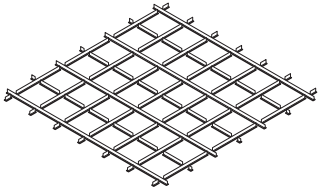
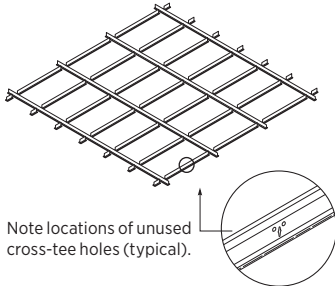
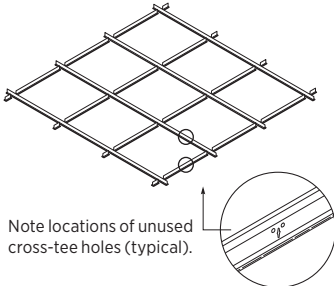
PRODUCT INFORMATION

Materials	Typical Sizes	Finishes
Double-web, hot-dipped galvanized steel body and steel cap with chromated cross-tee clip.	2'x2' module; 2'x2', 2'x4' and 4'x4' cells Other dimensions and configurations available. Contact your local USG Sales Representative for more information.	<ul style="list-style-type: none"> GWDX stocked in Flat Black, Flat White and Silver Satin preprimed, baked-on polyester paint finishes with exposed chromate cross-tee clips; touch-up paint is available to field-paint cross-tee clips to match the finish. Spray-painted, baked-on polyester finish with 100% tee coverage available as a special order. GWDXW and GWDXT available as a special order only; finish is spray-painted, baked-on polyester with 100% tee coverage.

FACE OPTIONS

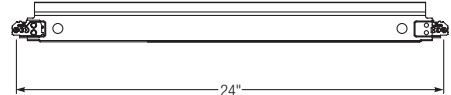
GWDX	GWDXW	GWDXT	GWM9 - Wall Angle
			

DESIGN OPTIONS

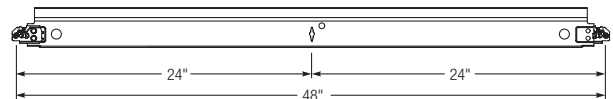
2'x2' Openings	2'x4' Openings	4'x4' Openings
		

USG GRIDWARE™ COMPONENTS

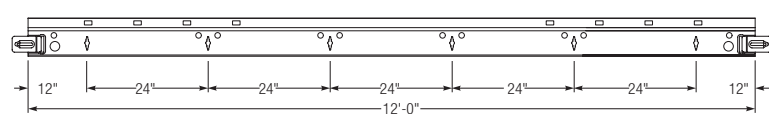
24" Cross Tee



48" Cross Tee



12' Main Tee



FOR MORE INFORMATION

Product literature
 Data sheet: IC312

Online tools
usgdesignstudio.com or cgcdesignstudio.com

Recycled content
 USG GridWare™ suspension: 25% recycled content.

Notice

The information in this document is subject to change without notice. CGC Inc. or USG Corp. assumes no responsibility for any errors that may inadvertently appear in this document.

IC312/rev. 11-16
 © 2016 USG Corporation and/or its affiliates. All rights reserved. Printed in U.S.A.

Manufactured by USG Interiors, LLC
 550 West Adams Street
 Chicago, IL 60661

The trademarks USG, CGC, COMPASSO, GRIDWARE, IT'S YOUR WORLD. BUILD IT., the USG/CGC logo, the design elements and colors, and related marks are trademarks of USG Corporation or its affiliates.

Safety First! Follow good safety/industrial hygiene practices during installation. Wear appropriate personal protective equipment. Read SDS and literature before specification and installation.

