

# Antenna Workspaces

Price List  
July 2018



**Knoll**

Introduction	Knoll and Sustainable Design	5
	Antenna Workspaces and Sustainable Design	6
	Using the Antenna Workspaces Price List	7
	Material and Finish Options	8
	Antenna Finish Options	9
	Material and Finish Matrix	10
	KnollTextiles Approved for Screens and Fabric Inserts	15
	KnollTextiles and Spinneybeck for Pedestal Cushions	17
	Grain Direction Planning Guidelines	18
	Wall Mounting Guidelines for Cabinets	20
	Antenna Workspaces Concept	22
	Introduction of Basic Elements	23
	Fundamental Planning Overview	32
Preconfigured Desks and Tables	24" and 30" Deep	33
	Y-base tables	37
	Media Enclave	40
Tops	Scope Overview of Antenna Tops	42
	Scope Overview of Antenna Tops	43
	Planning Guidelines for Antenna Tops	44
	Planning Guidelines for Antenna Tops	45
	Antenna Tops For Desks or Big Tables	46
	Antenna Hinged Access Tops for Big Tables	49
	Antenna Centered Hinged Access Tops for Big Tables	51
	Antenna Back Tops for Single Sided Big Tables	53
	Antenna Extension Tops for Desks and Big Tables	54
	Antenna Tops for 120° Planning	55
	Antenna Tops and Worksurface Shelves for Template	58
	Scope Overview of Overlay Tops	62
	Planning Guidelines for Overlay Tops	63
	Overlay Tops for Desks	64
	Overlay Benching Tops for Desks and Big Tables	67
	Overlay Hinged Access Tops for Big Tables	69
	Overlay Extension Tops for Desks and Big Tables	71

Desk and Table Support	Planning Guidelines for Desks and Tables	72
	Planning Guidelines for Dual Sided Big Tables	73
	Planning Guidelines for Single Sided Big Tables	74
	Planning Guidelines for Single Sided Big Tables	75
	Stability Guidelines for Desks, Tables and Big Tables	76
	Stability Guidelines for Desks, Tables and Big Tables	77
	Stability Guidelines for Desks, Tables and Big Tables	78
	Starter and Extended Rails	79
	Return and Bridge Rails	83
	Desk Connectors	86
	Desk Support Adapters	88
	Components for Reconfigurations	92
	Center Beam for Big Tables	93
	Center Beam for Big Tables, Table Desk and Wide End Leg	95
	Sapper Monitor Arm for Antenna Center beam	96
	Keyboard Tray and CPU Holder Mounts	97
	Scope Overview of Legs	99
	Scope Overview of Legs	100
	Scope Overview of Legs	101
	Legs for Desks or Returns	102
	Legs for Table Desks	107
	Legs for Back to Back Desks	109
	Legs for Dual Sided Big Tables	111
	Legs for Standing Height Dual Sided Big Tables	118
	Legs for Single Sided Big Tables	126
	Modesty Panels for Desks or Returns	134
	Back Panels for Single Sided Big Tables	137
	End Panels	140
Enclave End Panels	150	
Sales and Installation Tools	152	
Power and Communications	Planning Guidelines for Electrical Components	154
	Electrical Components for Desks and Big Tables	158
	Surface Mounted Plugmold Raceway	163
	Desktop Outlet Center	165
	Cable Management	167
Fence Components	Planning Guidelines for Fence	173
	Planning Guidelines for Fence	174
	Fence Structure	175
	Fence Connectors and Trim	177
	Electrical Components for Fence	180
	Upper Covers	185
	Lower Covers	190
	Full Covers	194
Screens	Desk Screens	198
	Big Table Screens	203
	Intermediate Screens	206
	Desktop End Screens	209
	End Screens for Dual Big Table	213
	Fence Screens	216
	S Screens	219
Floorstanding Desk Screens	221	

Storage Components	Storage Planning Guidelines and Specifications	223	
	Scope Overview of Pedestals	224	
	Pedestals	225	
	Scope Overview of Suspended Storage	235	
	Scope Overview of Suspended Storage	236	
	Laptop Drawer	237	
	Suspended Storage	239	
	Extension Cabinets	245	
	Scope Overview of Stanchion Mounted Storage	253	
	Scope Overview of Stanchion Mounted Storage	254	
	Stanchion Mounted Wood Storage	255	
	Stanchion Mounted Metal Storage	261	
	Stanchion Mounted Platform	265	
	Stanchion Supports	267	
	Cantilever Shelves	269	
	Scope Overview of Floorstanding Cabinets	271	
	Scope Overview of Floorstanding Cabinets	272	
	Floorstanding Personal Desk-End Cabinets	273	
	Floorstanding Shared Desk-End Cabinets	276	
	Floorstanding Desk-End Cabinet Accessories	278	
	Floorstanding L and Wardrobe Cabinets	279	
	Floorstanding File Cabinets	281	
	Floorstanding Enclosed Shelf Cabinets	284	
	Floorstanding Partially Enclosed Shelf Cabinets	286	
	Floorstanding Open Shelf Cabinets	288	
	Scope Overview of Wall Mounted Cabinets	290	
	Wall Mounted Wood Cabinets	291	
	Wall Mounted Metal Cabinets	293	
	LED Task Lights	295	
	Interpole Components	Planning Guidelines for Interpole	297
		Scope Overview of Interpole Poles and Covers	300
		Interpole Poles and Covers	301
Interpole Power Components		305	
Interpole Accessories		310	
Scope Overview of Interpole Screens		313	
Interpole Screens		314	
Scope Overview of Interpole Mounted Storage		325	
Scope Overview of Interpole Mounted Storage		326	
Interpole Horizontal Wood Storage		327	
Interpole Vertical Wood Storage		336	
Antenna Simple Tables	Antenna Simple Tables	343	
	Antenna Simple Table Modesty Panels	353	
	Modesty Panels for Simple Tables	354	
	Antenna Simple Table Tops	356	
	Antenna Simple Table Legs	358	
	Antenna Simple Table Power and Accessories	359	

Antenna Telescope	Antenna Telescope Tops for Adjustable Dual Tables	360
	Antenna Telescope Tops for Adjustable 120° Triads	361
	Antenna Telescope Tops for Fixed Dual Tables	362
	Antenna Telescope Return Tops for Dual Tables	363
	Antenna Telescope Dual Table Bases	364
	Antenna Telescope Single Sided Table Bases	376
	Antenna Telescope Back Panels	388
	Antenna Telescope 120° Triad	396
	Antenna Telescope Dual Return Bases	404
	Antenna Telescope Single Sided Return Bases	407
	Antenna Telescope Y-Base Tables	410
	Antenna Telescope End Panels	411
	Desk Screens for Telescope Dual Tables	419
	Center Screens for Telescope Dual Tables	421
	Telescope Power and Cable Management	425
	Telescope Accessories	431
	Horsepower	Planning Guidelines for Horsepower
Mobile Technology Cart		434
Independent Horsepower		435
Linked Horsepower		438
Legs for Linked Horsepower		439
Beams for Linked Horsepower		440
Covers for Linked Horsepower		441
Horsepower Desk Support Adapters		443
Electrical Components for Horsepower		446
Horsepower Screens		456
Horsepower Saddles		459
Horsepower Upmounted Shelves		461
Horsepower Wood Cabinets		463
Horsepower Metal Shelves		476
Horsepower Accessories		478
Selling Policy	495	
KnollKey Lock Program	497	
General Ordering Information	498	

# Knoll and Sustainable Design

---

Each year Knoll sets key initiatives in our journey to sustainability. We are members of a global consortium on energy, have adopted a scientific, metrics-based approach to sustainable product design, and maintain a leadership position in establishing universal, verifiable, sustainability standards for our industry.

Knoll promotes independent third-party certification because it provides the most impartial and trustworthy foundation for industry-wide environmental compliance. Certification by established and respected third parties ensures that all manufacturers are held to the same high standards and that customers can trust a company's declaration about the environmental benefits of its products. Knoll third-party partners include: the International Standards Organization (ISO); Forest Stewardship Council (FSC®); Rainforest Alliance; GREENGUARD® Environmental Institute; and The Business and Institutional Furniture Manufacturer's Association (BIFMA) level® certification from Scientific Certification Systems (SCS).

In addition, Knoll is aligned with the U.S. Green Building Council and can help companies, healthcare organizations and educational institutions achieve Leadership in Energy and Environmental Design (LEED®) workplace certification.

## Global Climate Change

- Knoll is a sponsor of the Clinton Global Initiative, which brings together a community of global leaders to devise and implement solutions to some of the world's most pressing challenges, including environmental change.
- Knoll has a comprehensive Energy Management Program to increase energy efficiency in products and processes.

## Life Cycle Assessment (LCA) Tool

- Life Cycle Assessment is a science-based measurement of a product's environmental impacts throughout its life cycle, from raw materials sourcing through manufacture, shipping, use and re-use or end-of-life. LCA enables cradle-to-cradle implementation of sustainable practices.

## Setting Industry Standards

- Knoll partners with MTS (The Institute for Market Transformation to Sustainability) to develop the SMaRT® Consensus Sustainable Products Standards, a set of consensus-based sustainable product standards based on the LEED® model, for all building products, fabric, apparel, flooring and carpet. MTS, the developer of SMaRT®, is an accredited American National Standards Institute (ANSI) standard developer.
- Knoll also partners with BIFMA (Business and Institutional Furniture Manufacturers Association) to promote level® sustainability standards for the contract furniture industry.
- Knoll has established FSC® (Forest Stewardship Council) certified wood as the standard for general office open plan office systems, casegoods and tables.
- Knoll has launched Full Circle, a resource recovery program developed with ANEW, to help customers extend the life cycle of surplus furniture, fixtures and equipment (FF&E) in an economically, socially and environmentally responsible manner.
- Our goal is to encourage all manufacturers in the contract furniture industry and related industries to adopt standards that will lead to sustainable products and practices.

*For more information about Knoll and sustainable design, visit [knoll.com/environment](http://knoll.com/environment).*

Antenna Workspaces is a new approach to workplace design that reflects the freedom and mobility people seek in today's office. Antenna Workspaces considers the growing variety of settings where work takes place and blends desks, tables, storage units and screens to create intuitive solutions for individuals and groups. A natural extension of the Knoll commitment to protect the biosphere, conserve natural resources and reduce waste, Antenna Workspaces is environmentally responsible in manufacturing process and materials.

Antenna is Level 3 certified by ANSI/BIFMA, and is GREENGUARD Children and Schools Indoor Air Quality Certified. GREENGUARD certification is recognized by the U.S. Green Building Council's LEED Program. Antenna Workspace can contribute to LEED certification for Existing Buildings, Commercial Interiors and New Construction.

Visit [GREENGUARD.org](http://GREENGUARD.org) for more information and to find printable certificates for Antenna Workspaces that can be used for verification and LEED submission. Material content for a complete, average Antenna Workspaces workstation is 13.13% post-consumer recycled content, and 47.7% post-industrial recycled content.

Antenna Workspaces environmentally responsible manufacturing processes and materials include:

**PVC-free**

Laminate top edge band material is PVC-free ABS. Acrylonitrile Butadiene Styrene (ABS) is a polymer used as an alternative to PVC and rubber. It is phthalate-free, flame retardant, has high heat and impact resistance, good processability, dimensional stability and high gloss.

**Fiberglass-Free**

Fabric screens utilize PET tackable material with 25% pre-consumer recycled content.

**FSC-Certified**

Wood components are standard FSC certified with North American hardwood veneers.

**Recovered Particleboard**

Antenna tops and fabric screens have FSC certified, 100% recovered particleboard cores.

**VOC-Free Finishes**

Water-based wood stains and UVcured polyurethane wood top coats are virtually VOC-free.

**VOC-Free Adhesives**

Water-based adhesives used to adhere laminate and veneer to substrate are 99% VOC-free.

**Recycled Steel**

Legs and rails have 30-45% recycled steel content.

**Recycled Aluminum**

Cradles that connect legs and rails have 44% recycled content cast aluminum.

**Recycled Fabric**

Screens are available with 100% recycled content fabric.



**An Overview**

The introduction section of the Price List includes a visual index of product components, an explanation of material, finish and fabric options, grain direction planning guidelines and an introduction to the basic elements and planning guidelines for Antenna Workspaces.

The product portion of the Price List starts with a section of preconfigured desks and tables, orderable by a single pattern number, and continues with an outline of the Antenna Workspaces scope by individual product categories. Products include tops, desk and table support, power and communications, fence components, screens and storage components.

**Can't find it?** Consult the Table of Contents on page 2 or the Alphanumeric Index at the end of the Price List.

The Knoll selling policy, warranty, KnollKey lock program and general ordering information are also located in the back of the Price List.

**Product Information on Each Page**

The Antenna Workspaces Price List was designed to provide you with everything you need to know in order to understand, plan and specify Antenna Workspaces. On each page, the following features will assist you:

The ***description*** explains salient features, capabilities, materials and size.

The ***type*** gives helpful planning information either in regard to product applications or quantities of products.

The ***dimensions*** provide nominal width, depth and height of the product.

The ***pattern number*** is the specific code required to order the size and material desired.

The ***ordering information*** outlines exactly how to specify Antenna Workspaces product and the full scope of finish options.

The ***order code*** provides an example of how one pattern number is specified.

The ***included with*** section identifies all other items that will be included with the product.

The ***options section*** lists all finish, material and feature options available on the product.

**Use the Following Addresses**

If you would like to send a standard lead time order to our order entry department, please use the following address:

**For North American orders:**

Knoll, Inc.  
1235 Water Street  
East Greenville, PA 18041  
Attn: Order Entry  
Tel: 800 343-KNOLL

All accepted orders will be confirmed in writing on the Knoll standard order confirmation form.

**Ship-Complete Orders**

Orders that must ship complete are to be so stated on the purchase order. Products with different lead times, combined on one order, can be acknowledged for shipment based on the longest of those lead times.

Orders not marked "ship complete" will be released according to the confirmation and invoiced in increments.

**For More Information**

For more information, contact your Knoll sales representative, a Knoll dealer, or telephone Customer Service at **1-800-343-KNOLL**.



For specific product applications for each finish refer to the finish matrix on the following pages.

## KNOLL CORE LAMINATES

### Solid Colors

111	Jet Black*
114	Folkstone Grey* ** (S)
115	Medium Grey*
117	Soft Grey* **
118	Bright White* ** (S)
119	Pumice* **
128	Fog*

(S) S Screen finish option

### Patterned

121	Micro Grey
122	Brushed Sand
123	Brushed Grey
129	Micro Sand

Brushed Sand (122) and Brushed Grey (123) are not available on laminate screens 60" and wider and on modesty or end panels of any size.

### Wood Grain

124	Medium Cherry*
125	Natural Maple* **
126	Natural Cherry* **
127	Walnut* **
139	Light Ash*
140	Warm Ash* **
141	Whitened Ash*
142	Grey Ash* **
143	Classic Oak* **
144	Graphite Pear*
145	Zebra*
147	Silverwood**
148	Smokewood**
149	Barnwood**

\*Matching edgeband available

\*\*Melamine worksurface finish

## ACCENT LAMINATE

130	Dark Red
131	Slate Blue
132	Olive Green
133	Canary Yellow
134	Knoll Red

Accent Laminates are only available on the interior of laminate storage cabinets.

## COLOR CORE LAMINATES

311	Solid Gallery White
312	Solid Folkstone

## MARKERBOARD LAMINATE

M	Markerboard
---	-------------

## GLASS SCREENS

TEMP	Clear
GL13	Powder
GL35	Grey Tinted

## GLASS TOPS

TEMP	Clear
GL13	Powder
GL85	Starfire Clear
GL35	Grey Tinted
GL11	Back Painted Black
GL45	Back Painted White

## PLATED FINISH

PD	Chrome
----	--------

## ANODIZED FINISH

AA	Anodized Aluminum
----	-------------------

## KNOLL CORE PAINTS

111T	Jet Black
112T	Brown
113T	Dark Grey
114T	Folkstone Grey
115T	Medium Grey
116T	Sandstone
117T	Soft Grey
118T	Bright White
611T	Beige Mist Metallic
612T	Medium Metallic Grey
613	Silver

## ACCENT PAINTS

130	Dark Red
131	Slate Blue
138	Clear*
146	Black Wrinkle (H)

\*Available on select base components.

(H) Available on Horsepower only.

## COMBINATION LAMINATE

Laminate storage cabinets may be specified with different laminate finishes on the exterior and interior of the case.

## EDGE OPTIONS FOR LAMINATE WORKSURFACES

WPLY	Ply Edge Wood (V1 pricing)
SPLY	Ply Edge Synthetic (L pricing)

Additional edge options are only available on laminate worksurfaces.

## Wood Finishes

New codes begin with a three digit numeric sequence, followed by a letter suffix. Each letter suffix (A-F) represents a different combination of pore fill options and gloss levels.

<b>Code</b>	<b>V1 TECHWOOD</b>	<b>Code</b>	<b>V2 PREMIUM TECHWOOD</b>	<b>Code</b>	<b>V3 PREMIUM VENEER</b>
638	Blond Maple	647	White Pine	039	Pippy Oak *
628	Dark Mahogany	640	Ebony	044	Figured Sycamore
639	Light Cherry	642	Grigio		
641	Black Oak				
506	Maple				
509	Cherry	020	<b>V2 NATURAL VENEER</b> Natural Oak		
512	Medium Walnut	038	Rustic Walnut *		
513	Medium Teak	017	Light Walnut		
514	Espresso	002	Bronze Cherry		
637	Natural	006	Maple		
644	Light Walnut	021	Peacock Green Walnut		
645	Dove Grey	022	Old English Walnut		
		037	Birch		

	<b>Gloss Level</b>	<b>Fill Level</b>
A	Low Gloss	Closed Pore
B	MediumGloss	Closed Pore
C	High Gloss	Closed Pore
D	Low Gloss	Open Pore
E	Medium Gloss	Open Pore
F	High Gloss	Open Pore

## Edge Options for Veneers

WOOD	Complementary Wood
SYN	Complementary Synthetic
WPLY	Wood Ply Edge *
SPLY	Synthetic Ply Edge *

\* Ply Edge available on Birch (037) worksurfaces.

## \*Note:

Overlay tops specified with a veneer top and/or edge are available in any V1, V2 or V3 finish except for the following veneers:

- Medium Teak (513)
- Dove Grey (645)
- Ebony (640)
- Grigio (642)

-Synthetic Edge option is available on worksurfaces, only.

-Finishes with \* are available on worksurfaces only.

For more detailed information on Veneer finishes, please refer to the Wood Finish Matrix on the Knoll.com

Product Description	No Finish Option	Antenna Approved Fabrics	Knoll Core Solid Color Laminates	Knoll Core Patterned Laminates	Knoll Core Wood Grain Laminates	Accent Laminates	Color Core Laminates	Markerboard Laminate	Glass	Plated Finish	Knoll Core Paints	Accent Paints	Clear Paint	Knoll Core Veneers
<b>Preconfigured Desks and Big Tables</b>														
<b>Antenna Leg Base Tables</b>														
	Top Finish		*	*	*				*					*
	Edge Finish (Laminate Only)		*		*									*
	Leg/Cradle Finish									*	*	*	*	
<b>Y-base Tables</b>														
	Top Finish		*	*	*									*
	Edge Finish (Laminate Only)		*		*									*
	Base Finish										*	*		
	Grommet Finish										*	*		
<b>Tops</b>														
<b>Antenna Tops</b>														
	Top Finish		*	*	*									*
	Edge Finish (Laminate Only)		*		*									*
<b>Overlay Tops</b>														
	Top Finish							*						*
	Edge Finish (Laminate Only)													*
<b>Desk and Table Support</b>														
Rails											*	*	*	
Desk Connectors											*	*	*	
Desk Support Adapters											*	*	*	
Components for Reconfigurations											*	*		
Center Beam for Big Tables											*	*		
KnollExtra Sapper Mounts for Desks and Big Tables											*	*		
KnollExtra Keyboard Tray and CPU Holder Mounts	*													
End Legs and Intermediate Legs											*	*	*	
Standing Height Intermediate Leg Brace									*	*	*	*	*	
<b>Table Desk End Legs</b>														
	Leg Finish									*	*	*	*	
	Cradle Finish										*	*	*	
<b>Modesty, Back Panels and End Panels</b>														
	Surface Finish		*	*							*			*
	Bracket Finish										*		*	
<b>Power and Communications</b>														
Electrical Components	*													
Power Harness Mounting Brackets											*	*		
Raceway Covers											*	*	*	
Raceway End Caps											*	*	*	
Desktop Outlet Center	*													
Desk Mount Outlet Center Shroud											*	*		

Product Description	No Finish Option	Antenna Approved Fabrics	Knoll Core Solid Color Laminates	Knoll Core Patterned Laminates	Knoll Core Wood Grain Laminates	Accent Laminates	Color Core Laminates	Markerboard Laminate	Glass	Plated Finish	Knoll Core Paints	Accent Paints	Clear Paint	Knoll Core Veneers
Communications Outlet Mounts											*	*		
Cable Baskets and Mount Kits	*													
Vertical Wire Manager											*		*	
Cable Clips	*													
<b>Fence Components</b>														
Frames	*													
Individual Legs											*			
Stabilizer Foot											*			
Crown Top Caps											*			
Flat Ends											*			
Connectors											*			
Electrical Components	*										*			
Upper Outlet Covers											*			
Upper Cable Tray Covers											*			
Upper Slatwall Covers											*			
Upper/Lower/Full Painted Covers											*			
Upper/Lower/Full Laminate Covers			*	*										
Upper/Lower/Full Veneer Covers														*
<b>Screens</b>														
Desk Screens														
	Surface Finish	*	*	*	*			*						*
	Frame Finish (Fabric Only)										*	*		
	Bracket Paint Finish										*	*		
Center Screens														
	Surface Finish	*	*	*	*			*	*					*
	Frame Finish (Fabric Only)										*	*		
	Bracket Paint Finish										*	*		
Intermediate Screens														
	Surface Finish	*	*	*	*			*	*					*
	Frame Finish (Fabric Only)										*	*		
	Bracket Paint Finish										*	*		
End Screens for Big Table														
	Surface Finish		*	*	*			*						
	Bracket Finish										*	*		
Enclave End Panel														
	Surface Finish		*	*	*			*						
	Bracket Paint Finish										*	*		
Fence Screens														
	Surface Finish	*	*	*	*			*	*					*
	Frame Finish (Fabric Only)										*	*		
	Bracket Paint Finish										*	*		

Product Description	No Finish Option	Antenna Approved Fabrics	Knoll Core Solid Color Laminates	Knoll Core Patterned Laminates	Knoll Core Wood Grain Laminates	Accent Laminates	Color Core Laminates	Markerboard Laminate	Glass	Plated Finish	Knoll Core Paints	Accent Paints	Knoll Core Veneers
<b>S Screens (See Material &amp; Finish Options Page for Exceptions)</b>													
	Surface Finish		*										
	Bracket Paint Finish										*	*	
<b>Floorstanding L Screens</b>													
	Vertical Surface Finish		*	*	*								*
	Bracket Paint Finish										*	*	
<b>Storage Components</b>													
Edge Pull										*	*	*	
Insert Pull										*			
Loop Pull											*	*	
<b>Metal Pedestals</b>													
	Drawer Front Finish		*	*	*						*	*	*
	Case Finish										*	*	
	Pull Finish									*	*	*	
Seat Cushion		*											
Pencil Tray	*												
Laptop Drawer											*	*	
Drawer Pad	*												
Cable Net	*												
<b>Suspended Wood File</b>													
	Case Finish Exterior		*	*									*
	Case Finish Interior		*	*	*								*
	Door Finish		*	*									*
	Pull Finish									*	*	*	
	Bracket Paint Finish										*	*	
<b>Suspended Open Cabinets</b>													
	Case Finish Exterior		*	*									*
	Case Finish Interior		*	*	*								*
	Bracket Paint Finish										*	*	
<b>Extension Cabinets</b>													
	Case Finish Exterior		*	*									*
	Case Finish Interior		*	*	*								*
Fabric Inserts for Extension Cabinets		*											
Mounting Brackets for Extension Cabinets											*	*	

Product Description	No Finish Option	Antenna Approved Fabrics	Knoll Core Solid Color Laminates	Knoll Core Patterned Laminates	Knoll Core Wood Grain Laminates	Accent Laminates	Color Core Laminates	Markerboard Laminate	Glass	Plated Finish	Knoll Core Paints	Accent Paints	Knoll Core Veneers
Stanchion Mounted Open/Enclosed Wood Cabinets													
Case Finish Exterior			*		*								*
Case Finish Interior			*		*	*							*
Stanchion Mounted Cabinet Door Sets													
Door Finish			*		*								*
Pull Finish										*	*	*	
Stanchion Mounted Open Metal Cabinets													
Stanchion Mounted Shared Metal Cabinets													
Case Finish											*		
Door Finish											*		
Pull Finish											*	*	
Platforms													
			*		*								*
Stanchions													
											*	*	
Cantilever Shelf													
Shelf Finish			*	*	*								*
Bracket Paint Finish											*	*	
Desk-End Open Cabinets													
Case/Shelves Finish			*		*								*
Bracket Paint Finish											*		
Desk-End Enclosed Cabinets													
Case/Door Finish			*		*								*
Pull Finish										*	*	*	
Bracket Paint Finish											*		
Desk-End Cabinet Shelf Set													
			*										*
Floorstanding L Cabinets													
Case/Shelves/Door Finish			*		*								*
Pull Finish										*	*	*	
File, Enclosed & Partially Enclosed Cabinets													
Case/Shelves/Door Finish			*		*								*
Pull Finish										*	*	*	
Open Shelf Cabinets													
Case/Shelves Finish			*		*								*
Shelf Finish			*		*								*
Wall Mounted Wood Cabinets													
Case Exterior Finish			*		*								*
Case Interior Finish			*		*	*							*

Product Description		No Finish Option	Antenna Approved Fabrics	Knoll Core Solid Color Laminates	Knoll Core Patterned Laminates	Knoll Core Woodgrain Laminates	Accent Laminates	Color Core Laminates	Markerboard Laminate	Glass	Plated Finish	Knoll Core Paints	Accent Paints	Knoll Core Veneers	Anodized Aluminum	Knoll Bright White Paint Only	Knoll Silver Paint Only	Black/White
<b>Wall Mounted Wood Cabinet Door Sets</b>																		
	Door Finish			*		*								*				
	Pull Finish										*	*	*					
	LED Task Light	*																
<b>Wall-Mounted Metal Enclosed Cabinets</b>																		
	Case Finish											*						
	Door Finish											*						
	Pull Finish											*	*					
	LED Task Light	*																
<b>Interpole</b>																		
<b>Poles</b>																		
	Pole Extrusion														*	*		
	Covers														*	*		
	Leveler Caps (see Price List page for exceptions)										*							*
<b>Electrical Components</b>																		
	Power Components	*																
	Duplex Outlets																	*
	Edge Liner	*																
<b>Accessories</b>																		
	Outlet Covers														*	*		
	Cable Clips	*																
	Ceiling Tile Trim Kit															*	*	
	Extension Pole Hardware Kit	*																
	Cantilever Shelf			*		*								*				
	Shelf Support Bracket										*	*						
	Coat Hook											*						
	Bag Hook											*						
	Round Platform	*																
	Round Platform L-Bracket										*	*						
<b>Screens</b>																		
	Surface Finish		*						*	*								
	Frame Finish													*	*			
<b>Storage</b>																		
	Case Finish Exterior			*		*								*				
	Case Finish Interior			*		*	*											
	Door Finish			*		*								*				
	Pull Finish										*	*	*					
	Support Bracket Paint Finish										*	*						

**KnollTextiles Approved for Screens and Fabric Inserts**

**Grade 10**

- Annex (W1360)\*
- Beacon (W1597)\*
- Broadcloth II (W1619)
- Circuit (W1754)\*
- Element (W1077)
- Growth Spurt (W692)
- Messa (W2061)
- Pivot (W1926)
- Skylark (W1718)
- Symbolic Details (W693)
- Tailor Made II (W1610)\*
- Twister (W1923)
- Versatility (W432)

**Grade 20**

- Bauhaus Block (W296)
- Circle Line (W1146)
- Criss Cross (W305)

- Delite (K2026)
- Edo (W2111)
- Logic (W1318)
- Mainframe (W1783)
- Nematic II (W1620)
- Photon II (W1695)
- Reflect (W884)

**Grade 30**

- Flow (W565)
- Micro (W465)
- Relay (W1020)

**Grade 40**

- Amplify (W1215)
- Bandwidth (W1219)
- Crossroad (K2085)
- Helios (K2089)
- Hourglass (K1523)
- Ornament (W1078)
- Palladium (W1030)

**Note:** All applied textiles are directional. Fabric is only applied railroaded (RR) for fabric screens wider than 60" wide. If there are a mix of screens narrower than 60" and wider than 60" on a single order, narrower screens must be specified through CPD to have fabric applied railroaded to match.

**COM (Customer's Own Material)**

COM can be applied to Antenna Workspaces product on a select basis. Please consult your Knoll Customer Service Representative for details on the COM approval process and testing requirements. Pricing for COM fabrics is at Grade 10.

**Note:** Always contact your Customer Service Representative prior to sending any COM (including pre-approved KnollTextiles) to the manufacturing facility.

**COM Yardage Requirements for Screens and Fabric Inserts**

The total yardage is for both sides of the screen.

\*Select colors not available

	Pattern Number	Total Yards Required			
		66" wide COM	54" wide COM	Railroaded 66" wide COM	Railroaded 54" wide COM
<b>DESK MOUNTED SCREENS</b>	YPSB3824F	1.14	1.14	1.48	1.48
	YPSB3827F	1.14	2.28	1.64	1.64
	YPSB3830F	1.14	2.28	1.8	1.8
	YPSB3836F	2.28	2.28	2.14	2.14
	YPSB3842F	2.28	2.28	2.48	2.48
	YPSB3848F	2.28	2.28	2.8	2.8
	YPSB3853F	2.28	3.1	3.1	3.1
	YPSB3854F	2.28	3.14	3.14	3.14
	YPSB3859F	2.28	3.44	3.44	3.44
	YPSB3860F	2.28	3.48	3.48	3.48
	YPSB3865FRR	3.78	3.78	3.78	3.78
	YPSB3866FRR	3.8	3.8	3.8	3.8
	YPSB3872FRR	4.14	4.14	4.14	4.14
	YPSB3224F	0.96	0.96	1.48	1.48
	YPSB3227F	0.96	1.9	1.64	1.64
	YPSB3230F	0.96	1.9	1.8	1.8
	YPSB3236F	1.9	1.9	2.14	2.14
	YPSB3242F	1.9	1.9	2.48	2.48
	YPSB3248F	1.9	1.9	2.8	2.8
	YPSB3253F	3.1	3.1	1.9	0
	YPSB3254F	1.9	3.14	3.14	3.14
	YPSB3259F	1.9	3.44	3.44	3.44
	YPSB3260F	1.9	3.48	3.48	3.48
	YPSB3265FRR	3.78	3.78	3.78	3.78

	Pattern Number	Total Yards Required			
		66" wide COM	54" wide COM	Railroaded 66" wide COM	Railroaded 54" wide COM
<b>DESK MOUNTED SCREENS</b>	YPSB3266FRR	3.8	3.8	3.8	3.8
	YPSB3272FRR	4.14	4.14	4.14	4.14
	YPSB3277FRR	4.44	4.44	4.44	4.44
	YPSB2624F	0.8	0.8	0.74	1.48
	YPSB2627F	0.8	1.58	0.82	1.64
	YPSB2630F	0.8	1.58	0.9	1.8
	YPSB2636F	1.58	1.58	1.08	2.14
	YPSB2642F	1.58	1.58	1.24	2.48
	YPSB2648F	1.58	1.58	1.4	2.8
	YPSB2654F	1.58	3.14	1.58	3.14
	YPSB2660F	1.58	3.48	1.74	3.48
	YPSB2666FRR	1.9	3.8	1.9	3.8
	YPSB2672FRR	2.08	4.14	2.08	4.14
	YPSB2024F	0.62	0.62	0.5	0.74
	YPSB2027F	0.62	1.22	0.56	0.82
	YPSB2030F	0.62	1.22	0.6	0.9
	YPSB2036F	1.22	1.22	0.72	1.08
	YPSB2042F	1.22	1.22	0.84	1.24
	YPSB2048F	1.22	1.22	0.94	1.4
	YPSB2054F	1.22	1.58	1.06	1.58
	YPSB2060F	1.22	1.74	1.16	1.74
	YPSB2066FRR	1.28	1.9	1.28	1.9
YPSB2072FRR	1.38	2.08	1.38	2.08	



	Pattern Number	Total Yards Required			
		66" wide COM	54" wide COM	Railroaded 66" wide COM	Railroaded 54" wide COM
<b>FENCE SCREENS</b>	YPSF2124F	0.66	0.66	0.74	0.74
	YPSF2136F	1.3	1.3	1.08	1.08
	YPSF2148F	1.3	1.3	1.4	1.4
	YPSF2160F	1.3	1.74	1.74	1.74
	YPSF2172FRR	2.08	2.08	2.08	2.08
	YPSF1424F	0.46	0.46	0.38	0.5
	YPSF1436F	0.92	0.92	0.54	0.72
	YPSF1448F	0.92	0.92	0.7	0.94
	YPSF1460F	0.92	1.16	0.88	1.16
	YPSF1472FRR	1.04	1.38	1.04	1.38
	YPSF2424F	0.74	0.74	0.74	0.74
	YPSF2436F	1.48	1.48	1.08	1.08
	YPSF2448F	1.48	1.48	1.4	1.4
	YPSF2460F	1.48	1.74	1.74	1.74
	YPSF2472FRR	2.08	2.08	2.08	2.08
	YPSF1724F	0.56	0.56	0.5	0.74
	YPSF1736F	1.1	1.1	0.72	1.08
	YPSF1748F	1.1	1.1	0.94	1.4
	YPSF1760F	1.1	1.74	1.16	1.74
	YPSF1772FRR	1.38	2.08	1.38	2.08

	Pattern Number	Total Yards Required			
		66" wide COM	54" wide COM	Railroaded 66" wide COM	Railroaded 54" wide COM
<b>BIG TABLE SCREENS</b>	YPSC2124F	0.66	0.66	0.74	0.74
	YPSC2130F	0.66	1.3	0.9	0.9
	YPSC2136F	1.3	1.3	1.08	1.08
	YPSC2142F	1.3	1.3	1.24	1.24
	YPSC2148F	1.3	1.3	1.4	1.4
	YPSC2154F	1.3	1.58	1.58	1.58
	YPSC2160F	1.3	1.74	1.74	1.74
	YPSC2166FRR	1.9	1.9	1.9	1.9
	YPSC2172FRR	2.08	2.08	2.08	2.08
	YPSC1424F	0.46	0.46	0.38	0.5
	YPSC1430F	0.46	0.92	0.46	0.6
	YPSC1436F	0.92	0.92	0.54	0.72
	YPSC1442F	0.92	0.92	0.62	0.82
	YPSC1448F	0.92	0.92	0.7	0.94
	YPSC1454F	0.92	1.06	0.8	1.06
	YPSC1460F	0.92	1.16	0.88	1.16
	YPSC1466FRR	0.96	1.28	0.96	1.28
	YPSC1472FRR	1.04	1.38	1.04	1.38


	Pattern Number	Total Yards Required			
		66" wide COM	54" wide COM	Railroaded 66" wide COM	Railroaded 54" wide COM
<b>INTERMEDIATE SCREENS</b>	YPSI1416F	0.28	0.42	0.28	0.36
	YPSI1418F	0.28	0.42	0.3	0.4
	YPSI1419F	0.28	0.42	0.32	0.42
	YPSI1422F	0.42	0.42	0.36	0.46
	YPSI1424F	0.42	0.42	0.38	0.5
	YPSI1427F	0.42	0.84	0.42	0.56
	YPSI1428F	0.42	0.84	0.44	0.58
	YPSI1430F	0.42	0.84	0.46	0.62
	YPSI1436F	0.84	0.84	0.54	0.72
	YPSI2116F	0.4	0.6	0.36	0.54
	YPSI2118F	0.4	0.6	0.4	0.58
	YPSI2119F	0.4	0.6	0.42	0.62
	YPSI2122F	0.6	0.6	0.46	0.7
	YPSI2124F	0.6	0.6	0.5	0.76
	YPSI2127F	0.6	1.2	0.56	0.84
	YPSI2128F	0.6	1.2	0.58	0.86
	YPSI2130F	0.6	1.2	0.62	0.92
	YPSI2136F	1.2	1.2	0.72	1.08

	Pattern Number	Total Yards Required			
		66" wide COM	54" wide COM	Railroaded 66" wide COM	Railroaded 54" wide COM
<b>FABRIC INSERTS</b>	YSDXFB18	0.15	0.22	0.14	0.18
	YSDXFB24	0.22	0.22	0.18	0.24
	YSDXFB27	0.22	0.43	0.2	0.26
	YSDXFB30	0.22	0.43	0.22	0.29
	YSDXFB3015	0.22	0.43	0.22	0.29
	YSDXFB36	0.43	0.43	0.26	0.35
	YSDXFB53	0.22	0.43	0.2	0.27
	YSDXFB59	0.22	0.43	0.22	0.3
	YSDXFB5915	0.22	0.43	0.22	0.3
	YSDXFB65	0.43	0.43	0.24	0.32
	YSDXFB6515	0.43	0.43	0.24	0.32







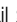


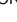


	Pattern Number	Total Yards Required			
		66" wide COM	54" wide COM	Railroaded 66" wide COM	Railroaded 54" wide COM
<b>INTERPOLE SCREENS</b>	IPSC6436NLF	1.83	1.83	1.09	n/a
	IPSC6436TLF	1.83	1.83	1.09	n/a
	IPSC6442NLF	1.83	1.83	1.26	n/a
	IPSC6442TLF	1.83	1.83	1.26	n/a
	IPSC6448NLF	1.83	1.83	1.42	n/a
	IPSC6448TLF	1.83	1.83	1.42	n/a
	IPSC6454NLF	1.83	n/a	1.59	n/a
	IPSC6454TLF	1.83	n/a	1.59	n/a
	IPSC6460NLF	1.83	n/a	1.76	n/a
	IPSC6460TLF	1.83	n/a	1.76	n/a



**Knoll Textiles Options  
for Mobile Pedestal  
Seat Cushions**

**Grade A**

Alignment   
 Beacon  
 Bocce   
 Cat's Cradle   
 Chance  
 Common Ground   
 Computer Cloth   
 Crossroad  
 Delite  
 Dristi  
 Heavy Metal  
 Hourglass  
 Mariner  
 Monarch   
 Prep   
 Presto   
 Reflect  
 Soliloquy  
 Sonnet   
 Stacks  
 Trophy 

**Grade B**

Abacus   
 Argyle  
 Backdrop  
 Bank Shot   
 Belize  
 Bistro   
 Boundary   
 Cameo  
 Chroma   
 Chronicle   
 Close Knit  
 Diva  
 Dovetail   
 Ferry  
 Forza  
 Framework   
 Galla II   
 Grande  
 Grandview  
 Helios  
 Holbrook  
 Journey   
 Keaton  
 Knoll Felt   
 Knoll Hopsack   
 Ludlow  
 Lyric  
 Melody

Mini Stitch   
 Night Life  
 Paradigm  
 Petal Pusher  
 Pogo   
 Pop  
 Prairie  
 Prim   
 Radiance  
 Ricochet   
 Roam  
 Rush Hour  
 Soiree   
 Spark   
 Spree   
 Summit  
 Sutton   
 Synth   
 Tabloid  
 Tinge  
 Utmost  
 Venue  
 Versa   
 Vinyl  
 Wide Angle   
 Westwood  
 Yeni  
 Zipline 

**Grade C**

Atlas  
 Axiom  
 Baxter  
 Biota   
 Cairo  
 Charm  
 Circa  
 Classic Boucle   
 Dahlia CR  
 Dune  
 Durand  
 Earthwork   
 Empire Stripe  
 Entourage   
 Essence  
 Fable CR  
 Fibra  
 Fox Trot CR  
 Greenwich  
 Hudson  
 Kora CR  
 Lagos  
 Legend CR  
 Lore CR  
 Magnolia  
 Metro  
 Milestone

Moto CR  
 Noble  
 Palisade  
 Panache CR  
 Quark  
 Regard CR  
 Roundtrip  
 Sahara  
 Sandpiper CR  
 Sequin CR  
 Sinclair  
 Smart  
 Spectator   
 Star Struck  
 Stepping Stones  
 Swing  
 Tight Rope  
 Tilden  
 Treble CR  
 Tower Grid  
 Vibe  
 Wit  
 Zari CR

**Grade D**

Compass CR  
 Coterie  
 Eclat Weave  
 Hologram  
 Ikat Stripe  
 Island  
 Masquerade  
 Menagerie  
 Obi  
 Origins  
 Theory  
 Woodland  
 Zoom


**Grade E**

Aegean  
 Demure  
 Highland  
 Ikat Square  
 Kampala  
 Katazome  
 Kimono  
 Mamba  
 Marquee  
 Midpoint  
 Meroe  
 Nature Walk  
 Sherman  
 Tryst  
 Vatera  
 Whip

**Grade F**

Atelier  
 Biscayne  
 Century  
 Coco  
 Cornaro  
 Glider  
 Icon  
 Jasmine  
 Intrigue  
 Liberty  
 Mod Plaid  
 Rivington  
 Soon  
 Topography  
 Totem  
 Trivoli  
 Tweed Frieze

**Grade G**

Amore  
 Cuddle Stripe  
 Djenne  
 Gibson  
 Haze  
 Kinabalu  
 Kingston  
 Melange  
 Petite Floral  
 Rattan  
 Serendipity  
 Spencer  
 Striae Stripe  
 Utrillo  
 Ultrasuede 

**Grade H**

Arno   
 Firefly  
 Haiku

**Grade I**

Aswan  
 Cato  
 Dynamic  
 Limani

**Spinneybeck Leather  
Options for Mobile  
Pedestal Seat Cushions**

**Grade U**

Volo

**Grade V**

Andes  
 España  
 Maremma  
 Velluto Pelle

**Grade W**

Alaska  
 Amazon  
 Arizona  
 Derby  
 Sabrina

**Grade X**

Ducale  
 Ducale Velours

**Grade Y**

Cervo  
 Copenhagen  
 Cordovan  
 Distressed  
 Marissa  
 Prima  
 Riva  
 Saddle  
 Salon

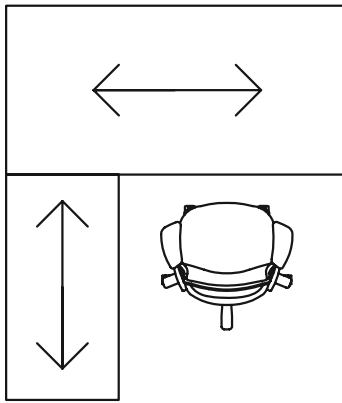
Pedestal cushions are upholstered (from the front to the back of the pedestal) with the fabric direction matching the textile sample.

**COM (Customer's  
Own Material)**

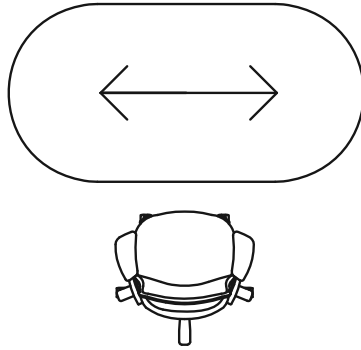
COM can be applied to Antenna Workspaces product on a select basis. Pricing for COM fabrics is at Grade B.

**Note:** Always contact your Customer Service Representative prior to sending any COM (including pre-approved KnollTextiles) to the manufacturing facility. Yardage requirements assume the fabric is 66" wide. If the COM is less than 66" wide, add 15% to the total yardage. For Customers Own Material (COM) applications, specify 0.75 yards of fabric for 17" deep mobile pedestal seat cushions and 0.90 yards for 23" deep seat cushions.

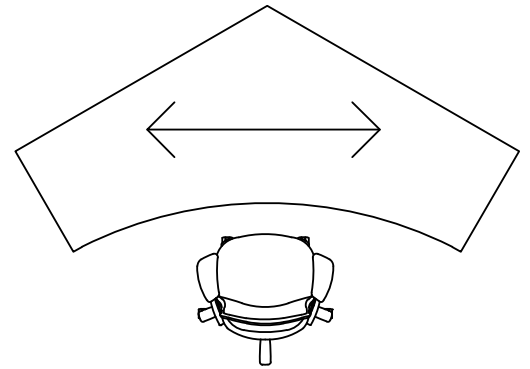
 = CAL 133 Pre-approved



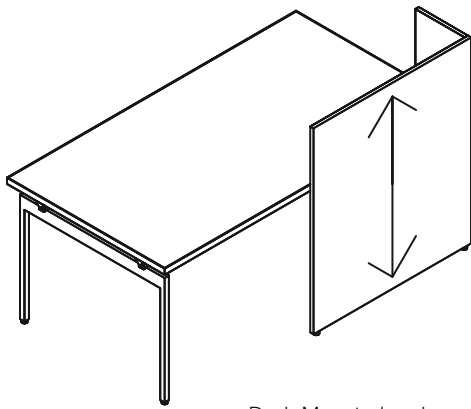
Rectangular Tops



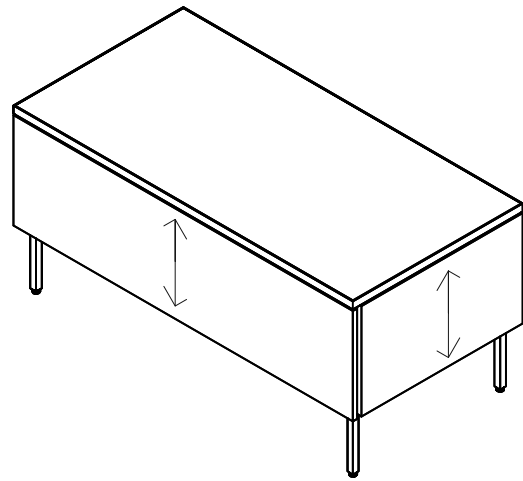
Track Shaped Tables



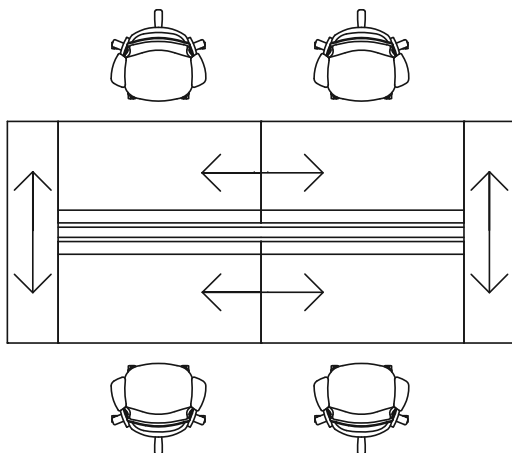
120 Degree Tops



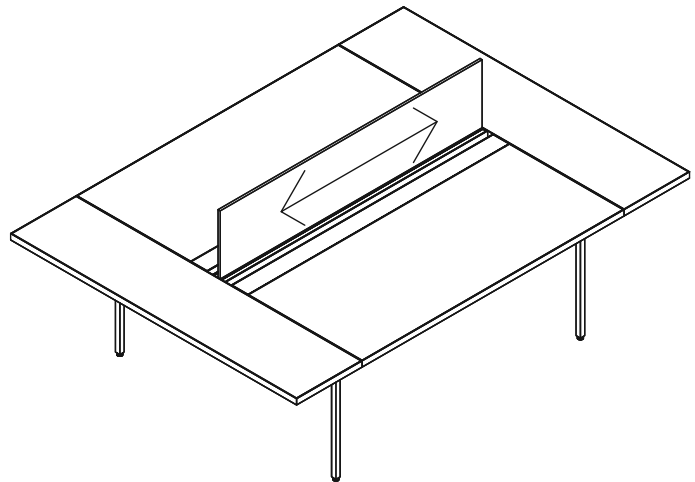
Desk Mounted and Floorstanding Screens



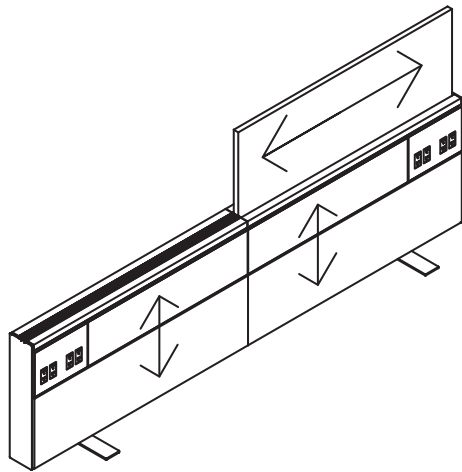
Modesty and End Panels



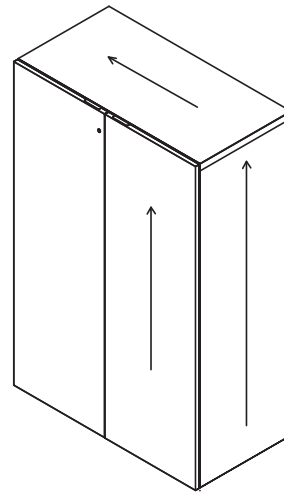
Big Table with Extension Tops or Cabinets



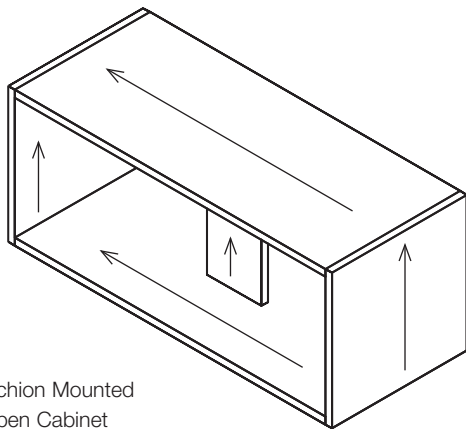
Big Table and Fence Screens



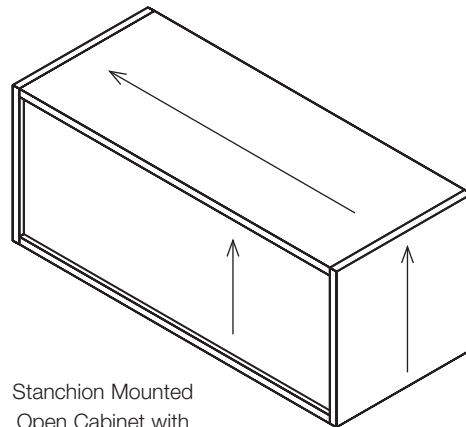
Fence Covers  
and Screens



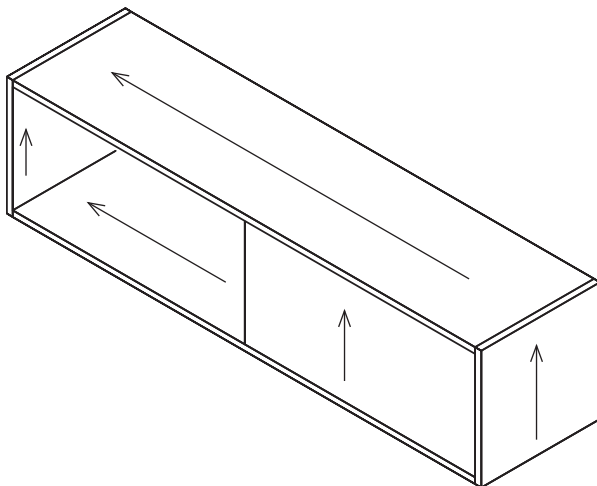
Floorstanding Cabinets



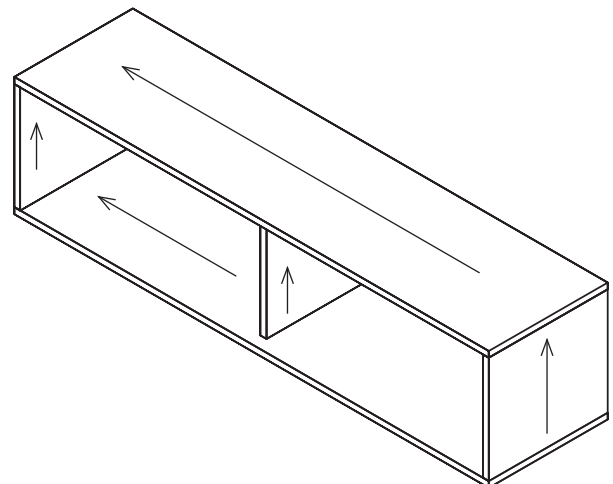
Stanchion Mounted  
Open Cabinet



Stanchion Mounted  
Open Cabinet with  
Open Front with  
Enclosed Back



Stanchion Mounted Shared Cabinet



Wall Mount Open Cabinet

---

## Wall Mounting Suggestions

The following information is provided only as a guide, and represents minimum recommendations only. Knoll does not accept responsibility for the attachment of any Knoll product to a Customer's site wall. Wall specification/construction is the responsibility of the Customer and its structural engineer/architect. Failure to properly attach Knoll products to adequate wall structures can lead to property damage and/or personal injury.

You should consult your own structural engineers and/or architects and must not rely on the information provided herein.

It is the responsibility of the Customer and its structural engineers/architects to verify that the permanent structural walls (studs, blocks, solid masonry, etc.) on which the Knoll products are intended to be mounted

are designed appropriately to support the product weight, PLUS 3 lbs. per linear inch for each useable shelf length

**NOTE:** A cabinet's top is considered a "useable shelf" and MUST be included in the calculation of the total load for an overhead cabinet.

It is the responsibility of the Customer and its structural engineer/architects to specify the fasteners and method for attaching the Knoll supplied wall mounting cleat, bracket, frame, etc. to the supporting wall and to confirm that the installers have adhered to these specifications. For all local building standards and codes, and additional requirements (including, but not limited to, seismic conditions) the Customer should always consult local code agencies.

	EXISTING CONSTRUCTION					
	NEW CONSTRUCTION	Cinder Block or Poured Concrete Masonry Wall	Wood Stud Wall, the studs being FULL HEIGHT to the roof/floor above	Wood Stud Wall, the studs being only Ceiling Height	Steel Stud Wall, the studs being FULL HEIGHT to the roof/floor above	Steel Stud Wall, the studs being only Ceiling Height
<b>Stud Specification</b>	Wood studs, grade #2 or better, 3 1/2" minimum width, <b>OR</b> Metal studs, minimum 25 gage thickness, 3 5/8" minimum width	The wall must be a minimum of 6" thick, and must be full height to the roof/ floor structure above	Wood studs must be Grade #2, or better, 3 1/2" minimum width	Wood studs must be Grade #2, or better, 3 1/2" minimum width	Metal studs must be minimum 25 gage thickness, 3 5/8" minimum width	Metal studs must be minimum 25 gage thickness, 3 5/8" minimum width
<b>Stud Centers</b>	Metal and wood studs must be spaced at 16" c/c maximum	N/A	Wood studs must be spaced at 16" c/c maximum	Wood studs must be spaced at 16" c/c maximum"	Metal studs must be spaced at 16" c/c maximum	Metal studs must be spaced at 16" c/c maximum
<b>Stud Height</b>	Metal and wood studs must extend upwards, and be securely attached to the roof/ floor structure above			Wood studs must be braced above the ceiling, and be securely attached to the roof/floor structure above  Affix #2 grade 'cap' across the top of the studs, then place diagonal studs from the top cap up to underside of the roof/ floor structure above		Metal studs must be braced above the ceiling, and be securely attached to the roof/floor structure above  Affix metal bracing 'cap' across the top of the studs, then place diagonal studs from the top cap up to underside of the roof / floor structure above
<b>Mounting the Knoll Supplied Cleat, Bracket, Frame, etc*</b>	Insert a 2" X 6" wood block, #2 grade or better, [or a Danback™ flexible wood backing system] horizontally between each of the studs to accommodate the full width of the cabinet, <b>and beyond to the next stud.</b>  Fasten the wood block to each stud using three screws at the ends of each block. (Fasten the Danback™ as directed by the manufacturer)  Fasten the Knoll supplied wall mounting cleat, bracket, frame, etc directly to each wood block every 6"  For wall mounting structures that have a rectangular frame-like configuration: fasten the top horizontal element of the frame to the wood blocking every 6", and fasten the lower horizontal element to each wall stud, using one fastener per stud.	Fasten the Knoll supplied cabinet wall mounting cleat, bracket, frame, etc. directly to the masonry wall every 6"  For wall mounting structures that have a rectangular frame-like configuration: fasten the top horizontal element of the frame to the wall every 6", and fasten the lower horizontal element to the wall every 16"	In the desired location of the cabinet mounting rail, remove an 8" high section of drywall the width of the cabinet, <b>and beyond to the next stud.</b>  Insert a 2" X 6" wood block, #2 grade or better, horizontally between each of the exposed studs.  Fasten the wood block to each stud using three screws at the ends of each block.  Replace the drywall and repair as desired.  Fasten the Knoll supplied wall mounting cleat, rail, frame, etc directly to the wood block every 6"  For wall mounting structures that have a rectangular frame-like configuration: fasten the top horizontal element of the frame to the wood blocking every 6", and fasten the lower horizontal element to each wall stud, using one fastener per stud.	In the desired location of the cabinet mounting rail, remove an 8" high section of drywall the width of the cabinet, <b>and beyond to the next stud.</b>  Insert a 2" X 6" wood block, #2 grade or better, horizontally between each of the exposed studs.  Fasten the wood block to each stud using three screws at the ends of each block.  Replace the drywall and repair as desired.  Fasten the Knoll supplied wall mounting cleat, rail, frame, etc directly to the wood block every 6"  For wall mounting structures that have a rectangular frame-like configuration: fasten the top horizontal element of the frame to the wood blocking every 6", and fasten the lower horizontal element to each wall stud, using one fastener per stud.	In the desired location of the cabinet mounting rail, remove an 8" high section of drywall the width of the cabinet, <b>and beyond to the next stud.</b>  Insert a 2" X 6" wood block, #2 grade or better, [or a Danback™ flexible wood backing system] horizontally between each of the exposed studs.  Fasten the wood block to each stud using three screws at the ends of each block.  Replace the drywall and repair as desired.  Fasten the Knoll supplied wall mounting cleat, rail, frame, etc directly to the wood block every 6"  For wall mounting structures that have a rectangular frame-like configuration: fasten the top horizontal element of the frame to the wood blocking every 6", and fasten the lower horizontal element to each wall stud, using one fastener per stud.	In the desired location of the cabinet mounting rail, remove an 8" high section of drywall the width of the cabinet, <b>and beyond to the next stud.</b>  Insert a 2" X 6" wood block, #2 grade or better, [or a Danback™ flexible wood backing system] horizontally between each of the exposed studs.  Fasten the wood block to each stud using three screws at the ends of each block.  Replace the drywall and repair as desired.  Fasten the Knoll supplied wall mounting cleat, rail, frame, etc directly to the wood block every 6"  For wall mounting structures that have a rectangular frame-like configuration: fasten the top horizontal element of the frame to the wood blocking every 6", and fasten the lower horizontal element to each wall stud, using one fastener per stud.
<b>*Graham Wall Hung Shelf</b>	The Graham Wall Hung Shelf Bracket (and others like it) requires full support behind the full height of the bracket  This should be accomplished by insertion of additional 2"X 6" wood blocking between the studs as defined above	Fasten the Knoll supplied wall mounting brackets directly to the masonry wall, using the holes provided in each bracket	The Graham Wall Hung Shelf Bracket (and others like it) requires full support behind the full height of the bracket  This should be accomplished by insertion of additional 2"X 6" wood blocking between the studs as defined above	The Graham Wall Hung Shelf Bracket (and others like it) requires full support behind the full height of the bracket  This should be accomplished by insertion of additional 2"X 6" wood blocking between the studs as defined above	The Graham Wall Hung Shelf Bracket (and others like it) requires full support behind the full height of the bracket  This should be accomplished by insertion of additional 2"X 6" wood blocking between the studs as defined above	The Graham Wall Hung Shelf Bracket (and others like it) requires full support behind the full height of the bracket  This should be accomplished by insertion of additional 2"X 6" wood blocking between the studs as defined above
<b>Fasten the Knoll supplied wall cleat with...</b>	#10 x 2 1/2" Grabber Woodys Screws or equiv. @ 6" c/c, screwed directly into the wood blocking	3/16" x 3 1/2" Tapcon Masonry Screws or equiv. @ 6" c/c with 1-1/4" embedment, screwed directly into the masonry wall	#10 x 2 1/2" Grabber Woodys Screws or equiv. @ 6" c/c, screwed directly into the wood blocking	#10 x 2 1/2" Grabber Woodys Screws or equiv. @ 6" c/c, screwed directly into the wood blocking	#10 x 2 1/2" Grabber Woodys Screws or equiv. @ 6" c/c, screwed directly into the wood blocking	#10 x 2 1/2" Grabber Woodys Screws or equiv. @ 6" c/c, screwed directly into the wood blocking

## Simple. Open. Adaptable.

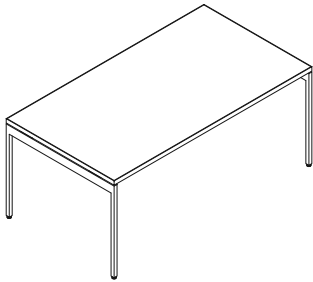
Antenna Workspaces, the integrated solution to the office, supports every mode of work—focused, shared and team—and facilitates the transitions between them. Knoll research confirms that the most progressive organizations seek innovation and increased productivity through collaboration: mentoring, teamwork and “unplanned” interaction. The challenge is to create an environment that complements individual, focused work settings with those that support collaborative work and informal, social interaction.

Antenna Workspaces comprises a range of solutions that integrate all these modes of work:

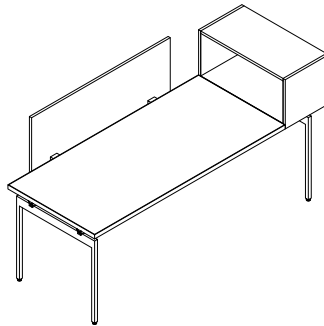
- **Focus** is an individual work mode that supports concentration with minimal interruptions.
- **Share** is a collaborative work mode that can occur in individual or group spaces and centers on the casual exchange of ideas.
- **Team** is a group work mode that occurs in a range of meeting spaces, both formal and informal.

## Basic Elements

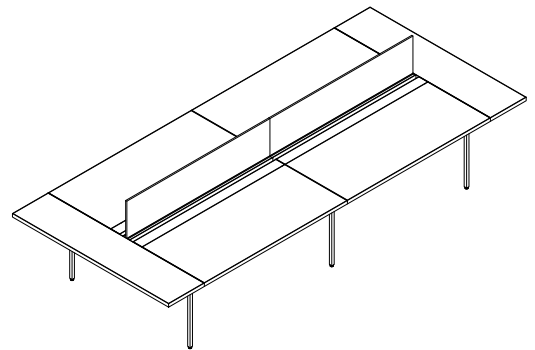
The fundamental elements of Antenna are Tables, Desks and Big Tables, fully integrated Fence spine, power components, Template Storage System, Screens and complementary Antenna storage components. To simplify planning and specifications, desks, tables, big table and fence are orderable as complete kits or as components.



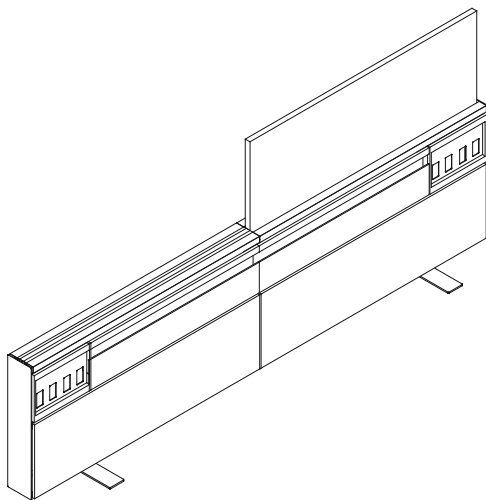
Table



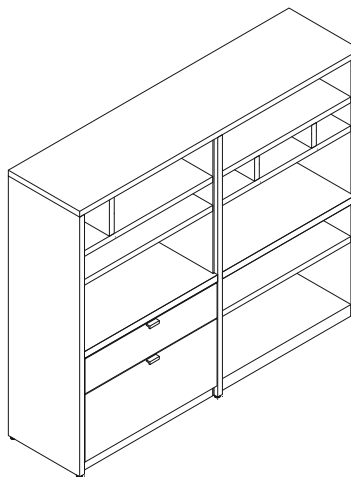
Desk



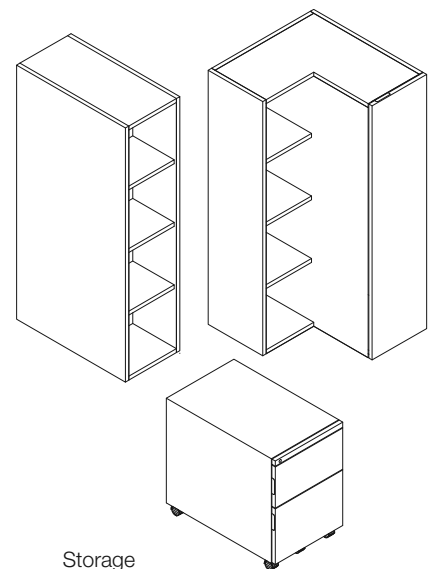
Big Table



Antenna Fence



Antenna Components for the Template Storage System



Storage

### Tables and Desks

Antenna begins with a simple structure—the Table—that is inherently collaborative. The top rests on a base composed of two steel end legs and two tubular rails that span across or between them, linked by cast aluminum cradles. The result is an extraordinarily strong table that can support tops up to 4' x 8'.

Antenna tops are laminate with a 2.8mm abs or veneer with veneer edge with a comfortable radius top and bottom edge with crisp corners. Also available are distinctive overlay tops featuring full overlay top veneer or solid core laminate with a veneer edge and larger radiused corners and underside edges.

The table is transformed into a Desk with the addition of storage, screens or power components that make one side the primary user edge. Desks can be linked end-to-end sharing a leg, or back to back with dual legs. A perpendicular return desk can be attached at any point to form L-shape or U-shape desk arrangements.

Desk top dimensions are 36"-96" wide, in 6" increments, and primary depths are 24", 27", 30" and 36"D. Desk supports and a full range of tops are also available in 18", 42" and 48" depths for returns and meeting tables.

The continuous support rails enable suspended storage or can be extended beyond the primary desk top to support desk extension cabinets or contrasting extension tops. Modular power components and cable baskets can be mounted to the rail to distribute power and communications between linked desks. Screens attach directly to the top anywhere along the back or end of a desk to provide partial modesty and enclosure above the top to either 42" or 49" horizons. A continuous 1 ¼" cord drop between the inside of a screen and the edge of the top facilitates wire management and enables clamp on monitor arms or a convenient desktop power/communications outlet module at any point.

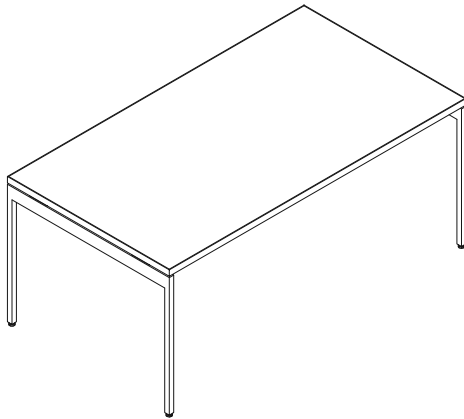
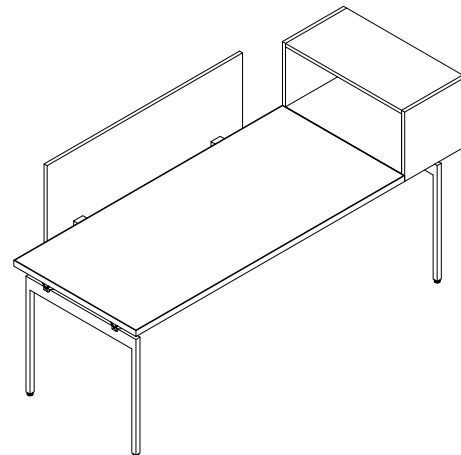


Table Desk



Desk with Extension Cabinet and Screen

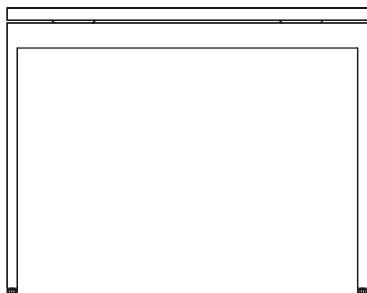
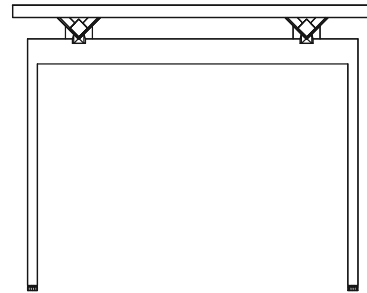


Table Desk End Elevation



Desk End Elevation



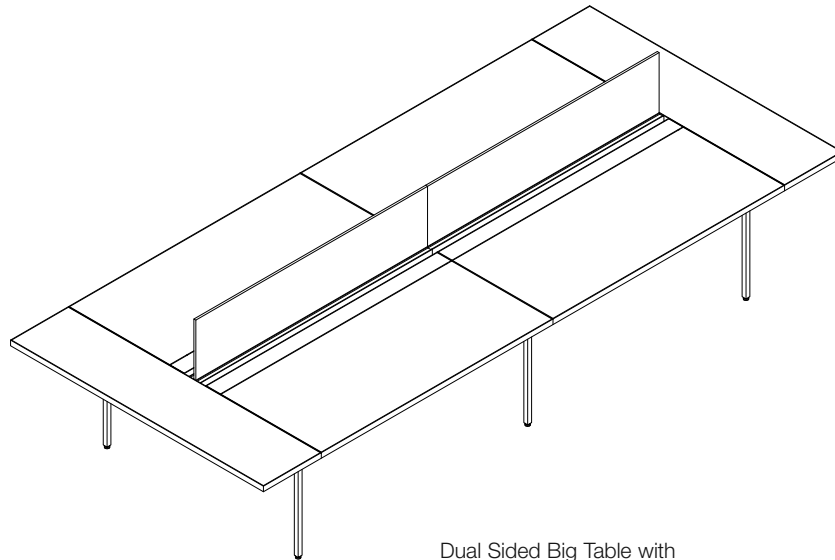
### The Big Table

Back-to-back desk tops with shared legs can be linked to form the Big Table: a collaborative work setting that supports groups of any size. The centerpiece of the big table is the center beam that spans across legs with a cord drop on either side. The center beam enables upmounted screens, platforms and storage, suspended power components,

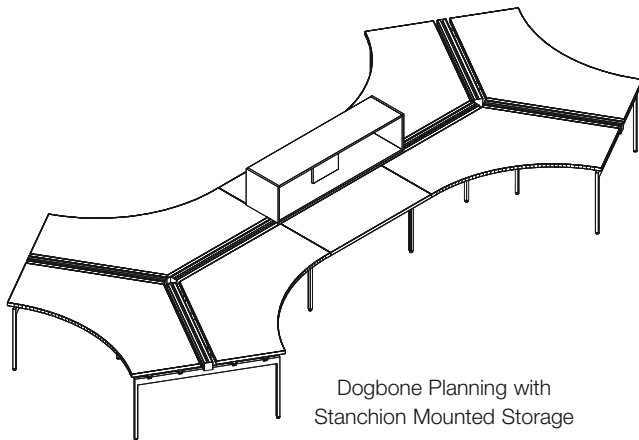
and independent support of cantilevered shelves and monitor arms on either side. Because the rail structure is the same as that of desks, returns can be attached to the big table at any point. As with desks, extended rails at the end positions of a big table support extension tops or storage cabinets above or below the big table tops.

Single sided big tables are also available for increased big table planning flexibility. Single sided big tables provide the intelligence of the center beam in a shallower depth big table

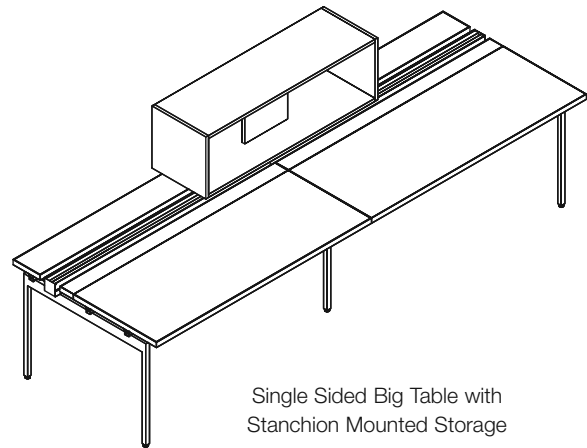
Big table tops are 18", 24", 27", 30" or 36" deep and in widths from 48"-84". Antenna and Overlay tops for the big table are available with a 3 3/4" continuous hinged surface at the back for easier access to power and communications outlets. In addition, Overlay tops can be ordered as "benching" tops with crisp corners for a continuous front edge where adjacent tops meet.



Dual Sided Big Table with Extension Tops and Screens



Dogbone Planning with Stanchion Mounted Storage



Single Sided Big Table with Stanchion Mounted Storage

# Introduction of Basic Elements

## *Antenna Desk and Big Table Power Distribution*

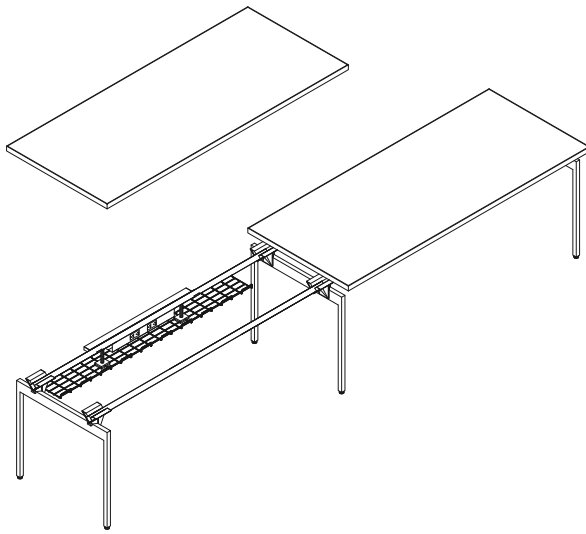
### Power Distribution in Antenna Workspaces

Throughout linked desks, big table or fence planning, Antenna modular power systems can be specified to distribute four or six circuits of power from a single point of supply. The system consists of a power harness that accepts preconfigured duplex outlets on any circuit as well as up to four jumper cables to link power to another harness. Modular or hardwire infeeds to satisfy national and local electrical codes also connect into the power harness.

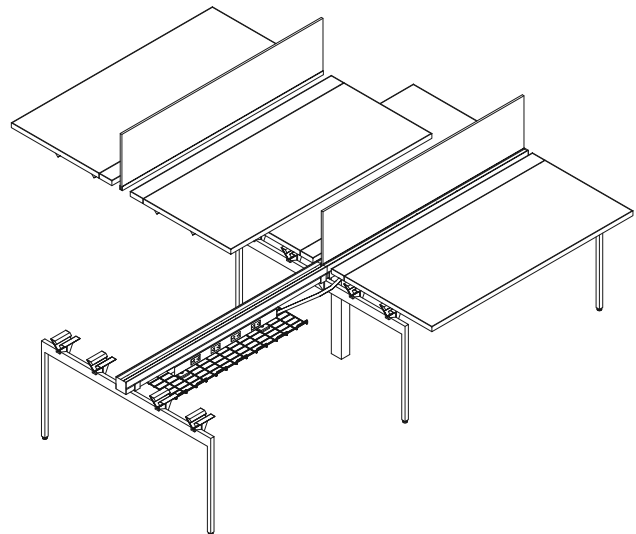
For desks, a power harness and mounting bracket are suspended from a desk rail. Two power harness options are available, one accepting up to two snap-in duplex outlets on each face and the other up to four duplex outlets on each face. Separate covers enclose the harness. Power harness mounting bracket can also accept a data/communications box adjacent to the power harness. Jumpers connect from one harness to the next in linked configurations, and can branch to support power under returns or back-to-back desks.

For big tables, the same power harnesses and jumpers are suspended directly from the center beam.

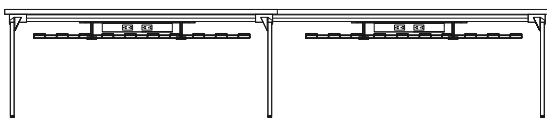
Power infeeds in desks and big tables can be managed vertically in a channel attached to the power harness adapter bracket or center beam.



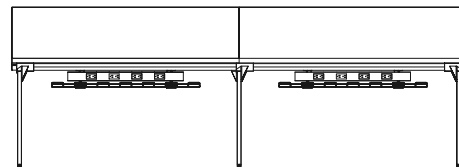
Desk with Electrical Components



Big Table with Electrical Components



Elevation of Desk Electrical Components



Elevation of Big Table Electrical Components

### Fence

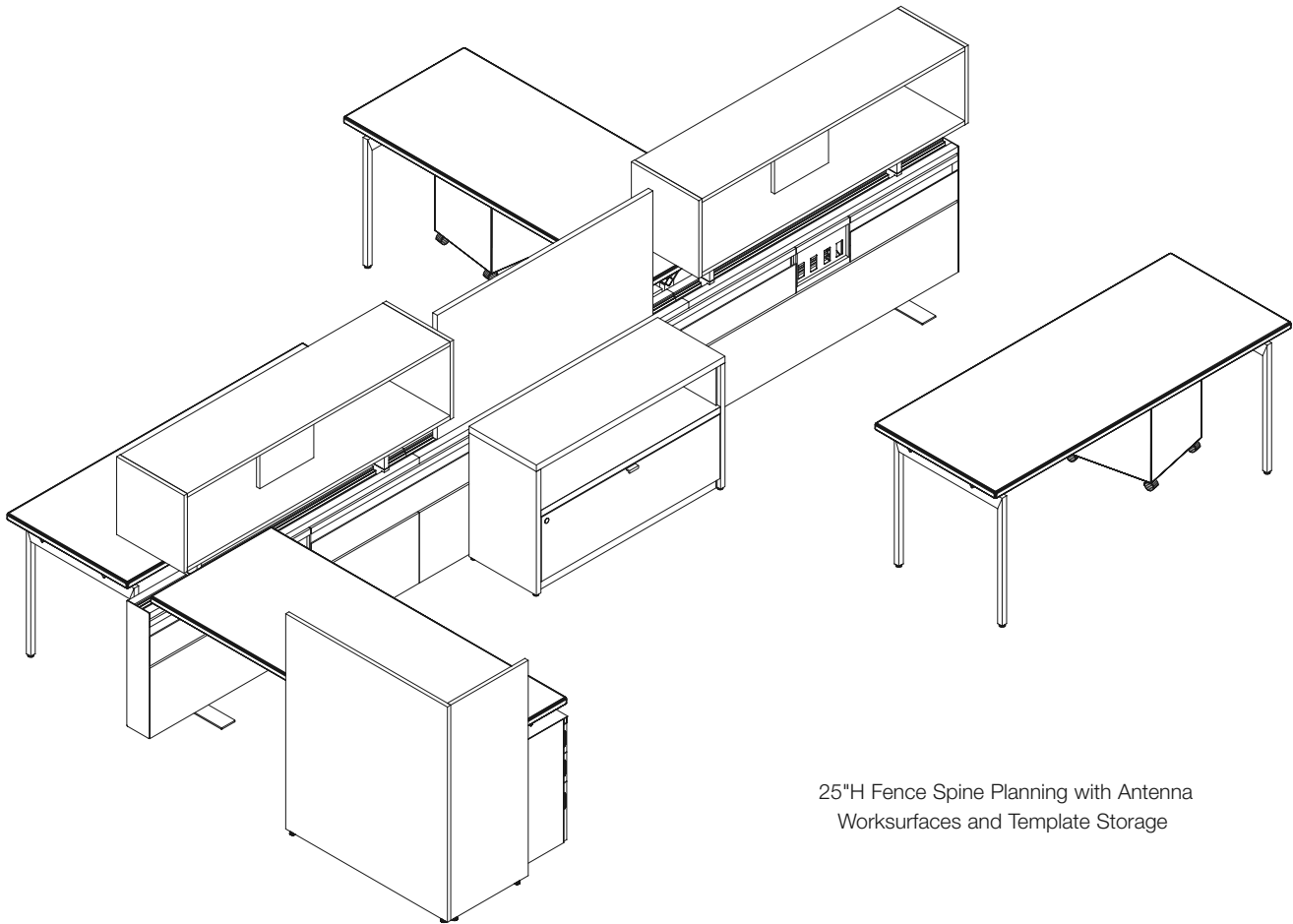
Fence is a compact spine that can be a freestanding housing for power and communications distribution and convenient outlets at the center of a cluster of desks or tables. Fence enables tables and desk arrangements to be moved independently of the service spine, or can be used to support one end of a desk.

Fence can be configured at desk top height or at 25" height to align with desk legs or enable the desk structure to span over the spine.

At either horizon, fence can also support screens or upmounted storage components including platforms, open or enclosed, single sided or shared cabinets.

Services can be supplied to the underside of fence and outlets for power and communications can be positioned at any point. The internal frame structure enables continuous lay-in cable distribution on either side, and unique cable tray covers support easy access cable management on the exterior surface. Other surface options for fence include integral slatwall and painted, laminate or wood covers.

For fence an outlet module mounts to either side of the studs in the fence frame. As with desk power harnesses, the outlet module accepts two duplex outlets each side and up to four jumper cables or infeeds. One or two adjacent outlet modules are enclosed by a 12"W outlet cover in the upper 9" level of the fence. Power and communications infeeds can enter anywhere along the bottom of the fence frame, where there is a 1" space between fence covers to the floor and a 4" or 7" space from the bottom of the fence frame to the floor.



25"H Fence Spine Planning with Antenna Worksurfaces and Template Storage

**Antenna Screens**

Antenna privacy screens are available for use on desks, big table and fence and offered in a range of materials including: fabric, laminate, marker surface, wood veneer and glass. Privacy screens provide partial enclosure in two planning horizons: 42"H for visual access and 49"H for seated privacy.

For desks, Antenna screens are always offset from the back or end of a desk top by 1 1/4", which ensures continuous cable management and that power centers, monitor arms and task lights can be secured to the top. Screens can be specified with a half

modesty, which starts at 10" above the floor (to align with the bottom of suspended cabinets) or with a partial modesty, which starts 22 1/2" above the floor. Screens align with top widths and depths.

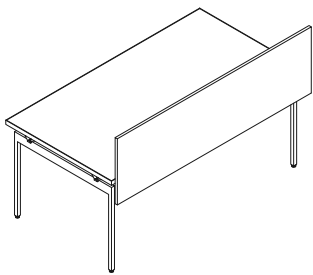
S screens attach to the back of a desktop to provide enclosure both above and below the desktop. The distinctive curved profile transitions from the 10" high vertical modesty panel to a horizontal transaction surface at the 42" horizon.

Also available for desks are floorstanding L screens at a 42" or 49" horizon, in 3/4" thick laminate or wood veneer surfaces. L screens wrap around the corner of a top and must be secured to the underside of the top.

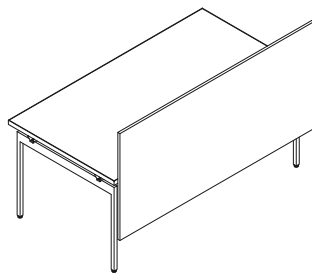
Antenna screens for the big table in 1/2" laminate, marker surface, veneer or glass include a base extrusion that fits into the top of the center beam at any point. Fabric screens are 1 1/4" thick with a painted perimeter metal frame. Screens are available in widths from 24"-72"W.

Intermediate screens are designed to plan anywhere along Antenna big tables or linked desk configurations to delineate individual workspaces. They are available with the same finish options at big table screens.

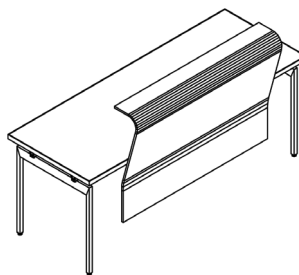
Screen options for fence are the same as those for big table, but the base extrusion is modified to fit into the center of the crown. Top caps are available to complement the fence crown or center beam adjacent to screens.



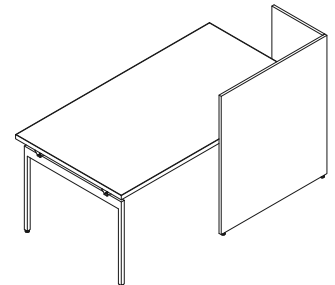
Partial Modesty Desk Screen



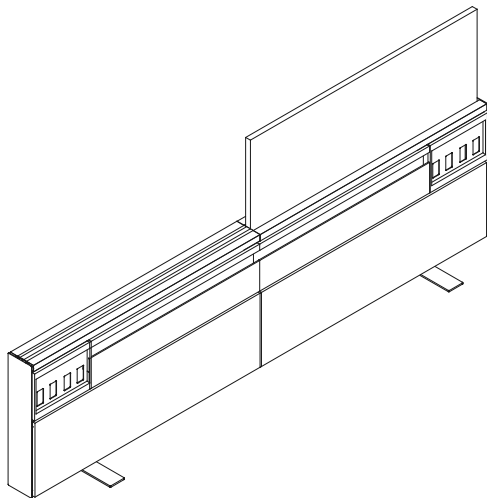
Half Modesty Desk Screen



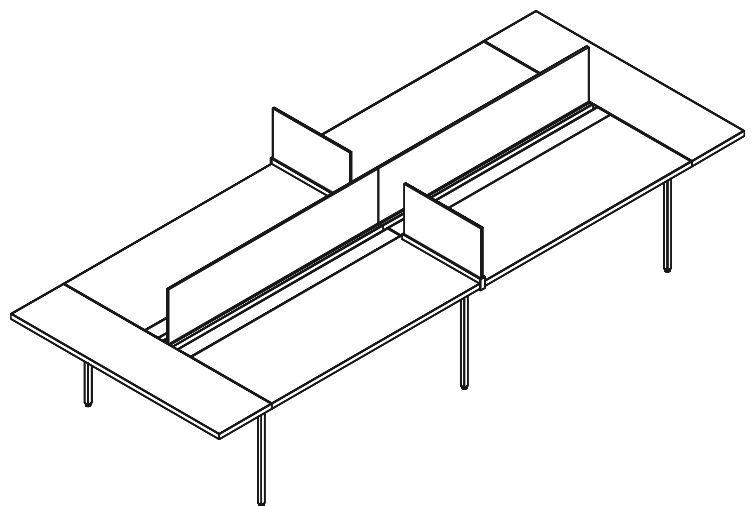
S Screen



Floorstanding L Screen, Left End of Desk



Fence Screen



Big Table Screens

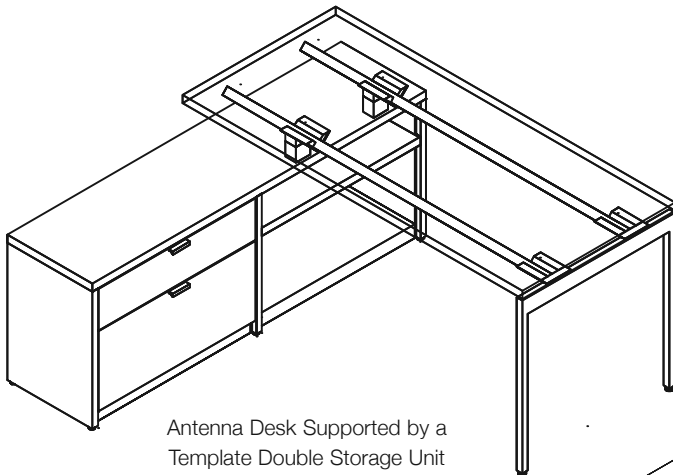
### Antenna Components for Template

Antenna desks are designed to be planned next to or integrated with the Template Storage System. Template is based on the structure and dimensions of 15"D bookshelves. The simple structure includes 2"H bases and 1" wide end- and mid- panels that can support power and communications distribution, a top and full or partial structural back panels between vertical panels.

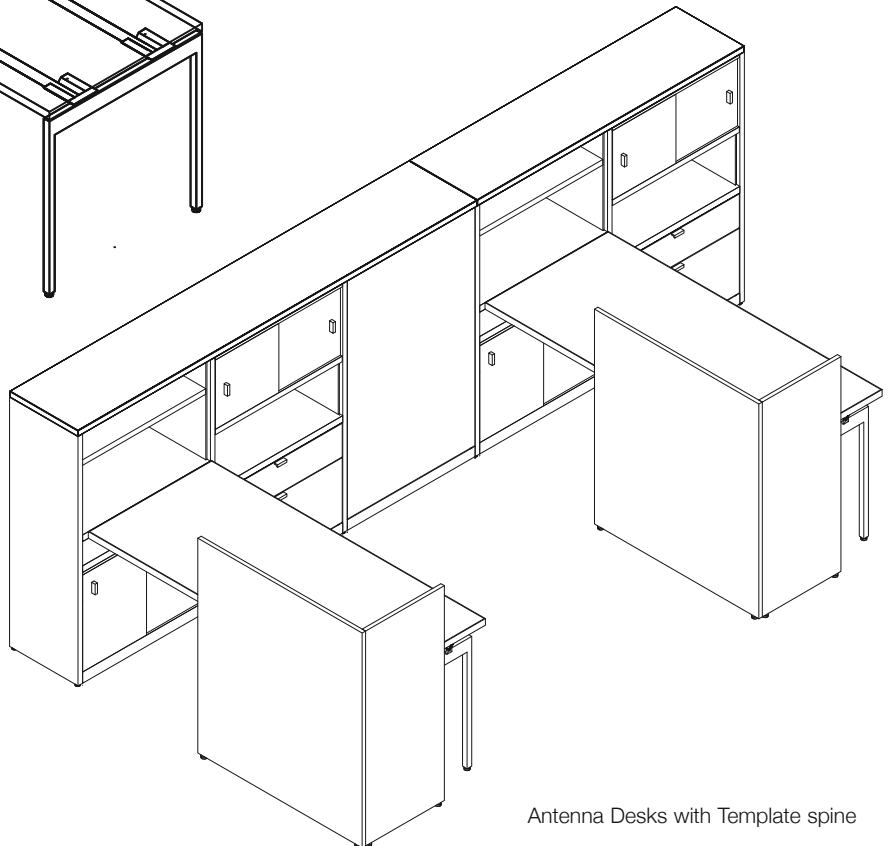
Various open and enclosed storage inserts fill the space between end and mid-panels. Since the structure is identical on "front" and "back," units can be linked, sharing a mid-panel, with components arranged to face one or both sides. Perpendicular Antenna desks can be supported from 22" or higher Template storage.

Template storage can be planned on any of ten horizons from 16" to 84", including key heights of 25", 28", 42" and 49" to match Antenna desk structure, desk tops, screen and storage. Template can be configured as a freestanding single storage unit, in widths from 24"-48", or ganged in any combination. With its compact depth Template is also ideal as a storage wall that defines the perimeter of a workspace or privacy between Antenna desks, or as the "work wall" of a private office.

Antenna tops and worksurface shelves for Template match the front edge material, profile and thickness of Antenna desk tops, but are sized in width to fit specific Template configurations. Antenna adapters are also available to link desks to worksurface shelves or tops for Template. Specify standard Template components for all other applications, including end and mid panels, bases, back panels, shelves and storage inserts.



Antenna Desk Supported by a Template Double Storage Unit



Antenna Desks with Template spine

### Antenna Storage

Complementary Antenna storage components include painted steel, and laminate or wood veneer construction that are freestanding, furniture-mounted and wall-mounted.

**Suspended storage** options begin with the steel laptop drawer, with wire management features that enable it to serve as a secure storage for portable electronics. Other suspended storage units are laminate or wood veneer construction open shelves, in versions accessible from front/back or from the end of desk, and suspended file drawer, with internal pencil drawer. Suspended storage sizes correspond to desk depths.

**Metal pedestal** options are 18" or 24"D mobile data/file, 18", 24", or 30"D floorstanding two box/file, and two file units, with painted, laminate, or veneer fronts. Floorstanding 18"D two file pedestals are also available in 30" and 36" widths. Floorstanding pedestals with ballast kits can be integrated into the desk structure in place of a leg.

**Above desk and below desk extension cabinets** also correspond in size to desk and overall big table depths, supported by extended rails, with a "floor" or top flush with the adjacent desk top.

**Stanchion mounted wood and metal construction shelves and cabinets**, available with no back, full back or shared configurations, can be mounted on center beam of big table or on the fence. Stanchion mounted steel construction cabinets are available with painted steel surface doors. Stanchions for each application are designed to lift the 15"H x 15"D cabinets to an overall height of 49".

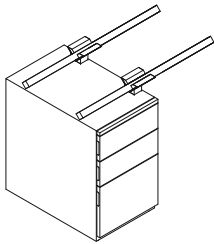
**Wall mounted wood and metal open and enclosed storage units** are also available, with overlapping doors in the same finish options as upmounted cabinets.

**Cantilever shelves** for big tables, 12" and 24"W, mount to either side of a center beam, while platforms can be supported on stanchions at 34"H.

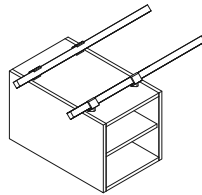
**Desk-end cabinets**, 49"H and 27", 30" and 36" depths, occupy a narrow footprint and provide access to shelves and coat storage from front and back in open/open, open/enclosed and enclosed/enclosed versions with hinged doors. Desk-end cabinet for 24"D applications is accessible from front only. Desk-end cabinets are floorstanding, but must be secured to desk for stability.

**L cabinets** are freestanding enclosures for coats and open shelves in a 24" x 24" L-shape that helps define the perimeter of an individual workspace. Single and double width wardrobes are also available for coat storage.

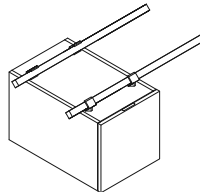
**Enclosed shelf and file cabinets** are freestanding 18"D open, enclosed or partially enclosed cabinets in laminate or veneer, that can be utilized as storage walls in open plan or private offices.



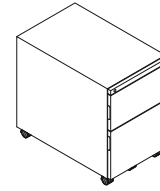
Floorstanding Pedestal



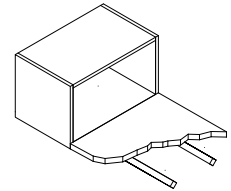
Suspended Open Cabinet



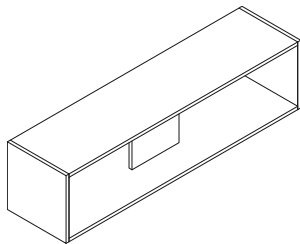
Suspended Wood File with Internal Pencil Drawer



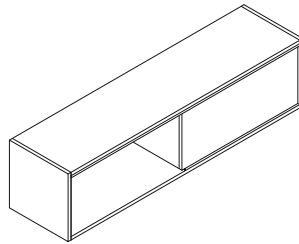
Mobile Pedestal



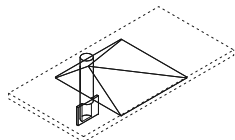
Above Desk Extension Cabinet



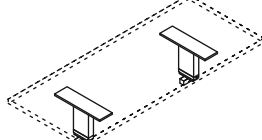
Stanchion Mounted Open Cabinet



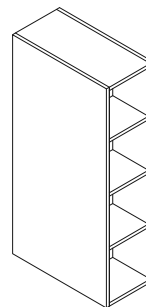
Stanchion Mounted Shared Open Cabinet



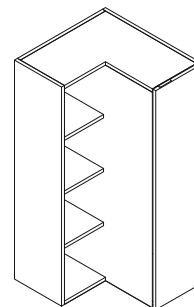
Cantilever Shelf for Big Table



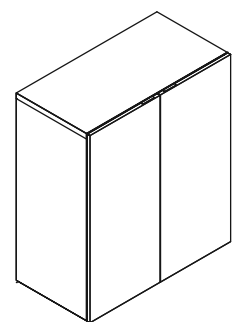
Stanchion Mounted Platform



Desk End Cabinet



Floorstanding L Cabinet



Enclosed Shelf Cabinet

### Interpole Planning Guidelines

Interpole is a unique vertical planning approach based on a floor to ceiling H-pole applicable in open plan, private offices and activity spaces. Interpole poles incorporate two channels which may be open or enclosed, and two continuous slots for mounting shelves, screens, accessories or KnollExtra Sapper monitor supports at any height.

Interpole enables five distinct planning applications: hub, display, conduit, screen and storage wall.

### Hub

Interpole distributes two circuit power from floor or ceiling to outlets at lounge, desk or standing height to serve as a recharge station for portable devices.

### Display

Interpole with monitor support can serve as a technology mast in private offices or community spaces.

### Conduit

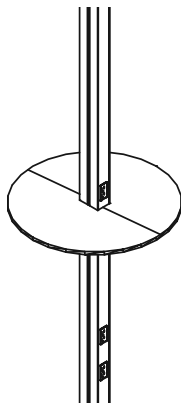
Interpole can route ceiling infeeds of power and communications cables in separate channels to supply Antenna workspaces linked desks, big table or Fence, or clusters of Dividends Horizon, AutoStrada, Reff Profiles or Morrison panel systems.

### Screen

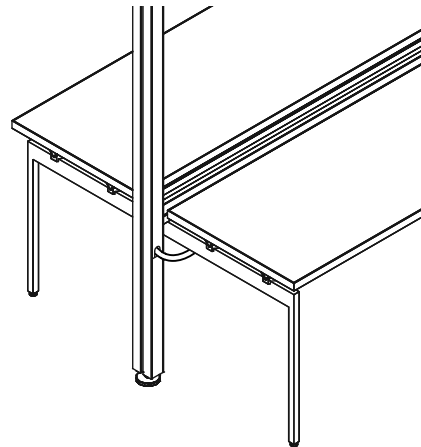
Interpole whiteboard, translucent glass or tackable screens mount between poles with or without covers to define boundaries of team meeting and community spaces with a functional surface.

### Storage

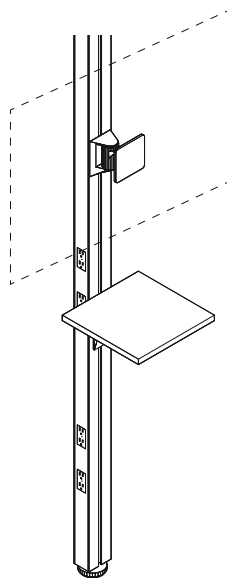
Interpole wood shelves and cabinets mount between poles at any level to support and define workstations, offices, or activity spaces. Vertical wood cabinets mount to the side of a pole providing open or enclosed shelf storage or wardrobe.



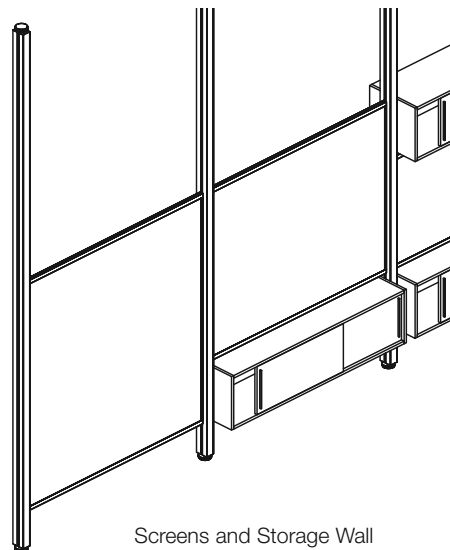
Hub



Conduit



Display



Screens and Storage Wall

### Horsepower

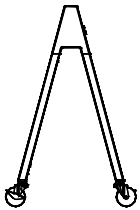
Horsepower is a lightweight freestanding technology channel and source of power for Activity Spaces and open planning. Horsepower has two main planning modes:

### Independent Horsepower

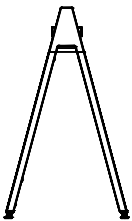
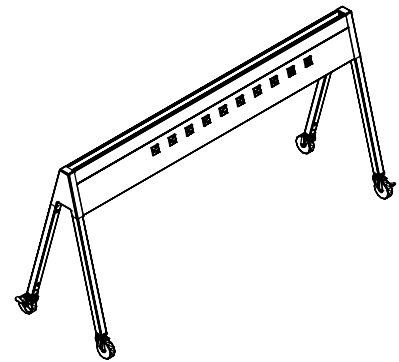
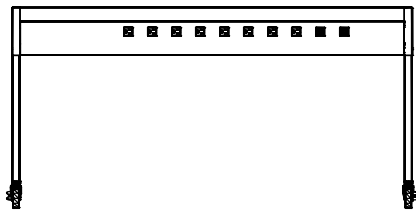
The independent, cord-set module serves as an on-demand, mobile power source suited to a range of Activity Spaces. Video display, whiteboard and open storage options equip flexible, shared work areas.

### Linked Horsepower

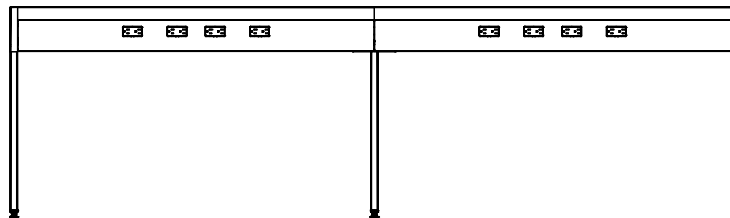
Linked horsepower modules can also furnish dynamic open plan environments with hardwired, multi-circuit power and cable management, suspended storage, upmounted platforms, desk supports and privacy screens. Optional seat cushions create an impromptu power bench in community spaces to sit and recharge.



Independent Horsepower



Linked Horsepower





The fundamental planning unit for Antenna and the starting point for any planning approach is the desk or table tops that form an individual or group workplace. What differs is how those tops are supported and complemented with services, screens and storage.

Antenna is most efficiently planned as groups of workplaces. Five unique planning models enable clustered desks, linked desks, big tables, desks with fence or the Template Storage System to serve as the shared, powered “spine” of a cluster. Each has unique advantages.

**Clustered Tables or Desks** are the most flexible planning approach, particularly when coupled with the fence or a raised floor system. Desks can be supplied individually from fence, raised floor, ceiling or adjacent built wall. Screens can be shared between desks, but clustered desks are independent so they can be freely rearranged as needs change.

**Linked Desks** are more economical than clustered desks, and involve shared legs or back-to-back legs that free up floor space. Since linked desks can distribute power throughout, services can be more cost effectively supplied from a single point to eight or more workplaces. Screens can be shared between back to back desks, but power components may need to be specified on both sides of screen for optimal access to outlets.

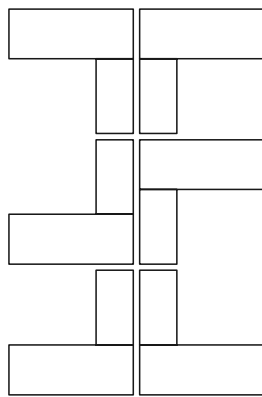
**The Big Table** is the most cost effective planning approach with Antenna Workspaces, combining efficient, dual sided power distribution, screens, storage support and desk support. Power and communications outlets and distribution are discreet yet easily accessible. Because desk returns can be attached anywhere, the big table is fully functional as the spine of a work group.

Antenna dual sided big tables can be planned in 120 degree configurations with 120 degree Antenna tops, intermediate legs for 120 degree, standard big table end legs, rails, center beams

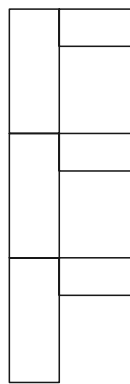
and power components. Whether it is a basic triad configuration or a larger dogbone six-pack layout, 120 degree worksurfaces provide a more space efficient way to plan a workspace.

**Fence for Antenna** can also serve as the structural spine of a cluster of desks, eliminating some legs. Since services can be accessed on both sides, fence power distribution can be more cost effective than with linked desks. Fence can also support storage cabinets and screens.

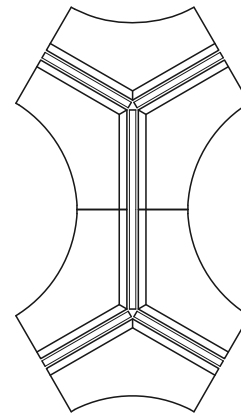
**Template Storage System** can also serve as the spine of a cluster of desks, eliminating some structural legs. Since power can be distributed through the base and terminated in outlets at desk height, power distribution can be more cost effective than with linked desks. Storage options within Template can be configured for access on both sides. Unique 27"D Antenna desks enable a wire drop and desk mounted screens to plan “within” Template’s centerline planning module.



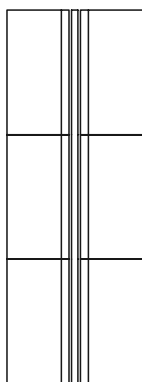
Clustered Desks



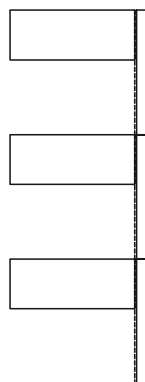
Linked Desks



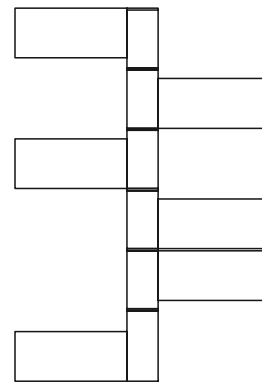
120 Degree Big Table



Big Table



Fence with Antenna Desks



Antenna Desks with Template Spine

## Preconfigured Tables

Antenna Tables are available as complete kits including top, rails and legs. Preconfigured tables include round, square, rectangular and track shapes, in standard Antenna laminate, veneer, or glass top details, with painted or chrome finish legs. End legs for round, square and rectangle shapes are table desk end legs that capture the ends of the rails and enable knee space on all sides of desk height tables. Track shape tables are supported by standard Antenna end legs over which the rails extend to the ends of the top for maximum support.

**Round tables** in 42" diameter have a 27" square base, and tables in 48" diameter include a 30" square base. Round tables in 42" diameter are available in three heights: 18 1/2", 24 1/2", 28 1/2". The lowest height is coffee table height, suitable for reception or casual areas, the medium height is designed for use of portable electronics in casual work areas, and the highest is standard desk height. Round tables in 48" diameter are only available at desk height.

**Square tables** have table desk end legs at the corners. Square 30" tables are also available in three heights: 18 1/2", 24 1/2", 28 1/2". Square 36", 42" and 48" tables are only desk height.

**Rectangular tables** have table desk end legs flush with the short ends. Rectangular tables are available in classic 2 x 1 proportions, 48x24, 54x27, 60x30, 72x36, 84x42, all at standard desk height 28 1/2".

Rectangular shape tables other than these sizes can be assembled from components (tops, rails and legs specified separately).

**Track shape tables** have standard Antenna end legs inset 4 1/2" from each long side edge adjacent to the semi-circular ends of the top. Track shape tables are 72x36, 84x42 or 96x48, all at standard desk height 28 1/2".

All table legs include standard Antenna levelers with 1 1/2" continuous adjustment range.

### Construction

Antenna tops are nominal 1 3/16" thick with a laminate or veneer surface finish. Laminate tops have a laminate top surface with an FSC-certified particle board core and a neutral tone backer sheet for balanced construction. Edges can match the top or contrast in color, in 2.8mm ABS with 2.4mm radius top and bottom edges. Front and back edges overlap ends with a 2.4 mm radius on outside corners.

Techwood and natural veneer tops have a veneer top surface, an FSC-certified particle board core and a neutral tone backer sheet for balanced construction. Veneer tops have matching finish 2.0mm solid veneer edges

on all sides. Top and bottom edges have a 2.0mm radius. Veneer grain direction is parallel to front edge on desk tops, and parallel to end on extension tops.

Glass tops are 1/2" thick with a slight radius on the top and bottom edges as well as the corners.

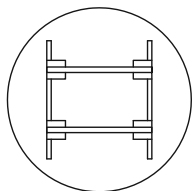
Rails are 1 1/4" square steel tube. End caps are die cast aluminum. Return adapters are die cast aluminum.

End legs are steel weldments with 1" square legs and a 2 1/2" horizontal rail. Legs include 2 1/2" levelers with 3/8" stems and continuous 1 1/2" adjustment range. Cradles and clamps are cast aluminum with countersunk fasteners into legs, mating parts and top.

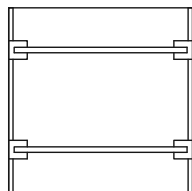
### Specification Options

Table tops may be specified in any Antenna solid, pattern or woodgrain laminate, with matching or contrasting ABS edge in any Antenna Techwood or natural veneer with matching edge, or with a glass finish.

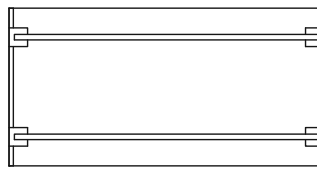
Glass finish options include Clear, Powder, Starfire Clear, Grey Tinted, Back Painted Black, and Back Painted White. Rails may be specified in any Antenna core or accent painted finish. Legs may be specified in any Antenna core or accent painted finish, with matching cradle finish, or in chrome with any Antenna paint finish for the cradles.



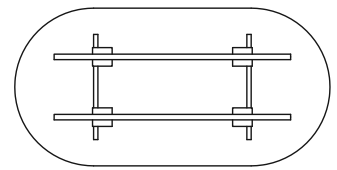
Round Table Plan View



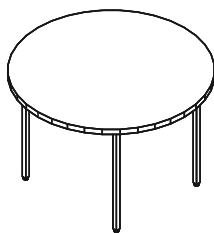
Square Table Plan View



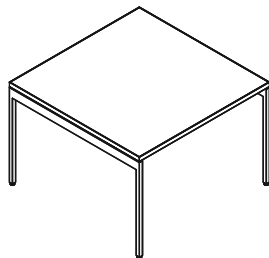
Rectangular Table Plan View



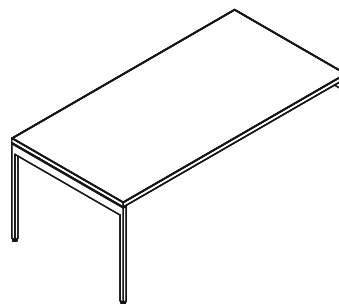
Track Shaped Table Plan View



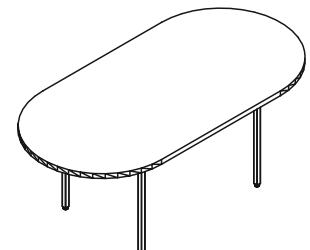
Round Table,  
18", 24 1/2" or  
28 1/2" High



Square Table,  
18", 24 1/2" or  
28 1/2" High

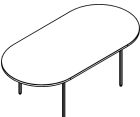

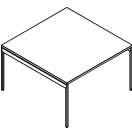
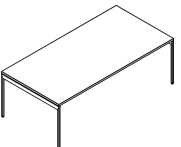


Rectangular Table,  
28 1/2" High



Track Shaped Table,  
28 1/2" High

24" and 30" Deep  
 Antenna Tops  
 Track, Round, Square and Rectangle

description	w	d	h	pattern no.	Laminate (L)	M/V1 (V)	V2 (V)	V3 (V)	Chrome Base Upcharge
 <p>Tables with Track Shaped Antenna Tops</p>	72"	36"	28½"	<b>YKTT7236D( )</b>	\$1,630.	\$2,780.	\$3,062.	\$3,712.	n/a
	84"	42"	28½"	<b>YKTT8442D( )</b>	1,755.	3,186.	3,525.	4,304.	n/a
	96"	48"	28½"	<b>YKTT9648D( )</b>	1,945.	3,622.	4,017.	4,926.	n/a
 <p>Tables with Round Shaped Antenna Tops</p>	42"	42"	18½"	<b>YKTR42L( )</b>	1,317.	2,534.	2,789.	3,372.	511.
	42"	42"	24½"	<b>YKTR42M( )</b>	1,317.	2,534.	2,789.	3,372.	511.
	42"	42"	28½"	<b>YKTR42D( )</b>	1,317.	2,534.	2,789.	3,372.	511.
	48"	48"	28½"	<b>YKTR48D( )</b>	1,443.	2,671.	2,946.	3,572.	522.
 <p>Tables with Square Shaped Antenna Tops</p>	30"	30"	18½"	<b>YKTS3030L( )</b>	1,134.	1,426.	1,510.	1,745.	522.
	30"	30"	24½"	<b>YKTS3030M( )</b>	1,134.	1,426.	1,510.	1,745.	522.
	30"	30"	28½"	<b>YKTS3030D( )</b>	1,134.	1,426.	1,510.	1,745.	522.
	36"	36"	28½"	<b>YKTS3636D( )</b>	1,237.	1,534.	1,630.	1,890.	620.
	42"	42"	28½"	<b>YKTS4242D( )</b>	1,357.	1,772.	1,908.	2,243.	677.
	48"	48"	28½"	<b>YKTS4848D( )</b>	1,476.	2,015.	2,172.	2,588.	749.
 <p>Tables with Rectangle Shaped Antenna Tops</p>	48"	24"	28½"	<b>YKTS4824D( )</b>	1,201.	1,488.	1,578.	1,822.	405.
	54"	27"	28½"	<b>YKTS5427D( )</b>	1,323.	1,623.	1,721.	1,998.	511.
	60"	30"	28½"	<b>YKTS6030D( )</b>	1,465.	1,714.	1,818.	2,140.	522.
	72"	36"	28½"	<b>YKTS7236D( )</b>	1,583.	1,888.	2,034.	2,384.	620.
	84"	42"	28½"	<b>YKTS8442D( )</b>	1,890.	2,114.	2,258.	2,650.	677.

**Ordering Information**

**Tables**

1. Pattern Number
2. Top Finish
3. Edge Finish  
(for laminate tops only)
4. Rail Paint Finish
5. Cradle Paint Finish  
(for chrome legs only)
6. Leg Paint Finish

**Order Code**

**Tables**

*Example:* **YKTS3030DL, 118T, 118T, 118T, 118T, 118T**

<b>YK</b>	Table Kit
<b>TS</b>	Antenna Square Top
<b>30</b>	Depth
<b>30</b>	Width
<b>D</b>	Desk Height
<b>L</b>	Laminate
<b>118T</b>	Bright White Top
<b>118T</b>	Bright White Edge
<b>118T</b>	Bright White Paint
<b>118T</b>	Bright White Paint
<b>118T</b>	Bright White Paint

**Included With**

**Tables**

- Antenna Top
- (2) Rails
- (2) End Legs
- (4) Cradles
- (4) Leveling Glides
- Attachment Hardware

**Options**

**Table**

**Top Finish Options:**

- (L) = Laminate
- (M) = Laminate top with wood edge
- (V) = Veneer

**Leg Finish Options:**

End Legs are available in Knoll core paints, Clear (138), Dark Red (130) and Slate blue (131) paint finishes, as well as polished chrome (PD) finish.

Add the chrome base upcharge to the table list price when the table base is specified with a chrome finish.

Chrome base is not available on track shaped tables.

# 24" and 30" Deep Glass Tops Track, Round, Square and Rectangle

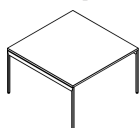
description	w	d	h	pattern no.	Clear Glass (TEMP)	Powder Glass (GL13)	Starfire Clear Glass (GL85)	Grey Glass (GL35)	Back Painted Black Glass (GL11)	Back Painted White Glass (GL45)	Chrome Base Upchg.
Tables with Track Shaped Glass Tops	72"	36"	27 3/4"	<b>YKTT7236DG</b>	\$4,286.	\$5,381.	\$5,869.	\$6,947.	\$8,110.	\$8,110.	n/a
	84"	42"	27 3/4"	<b>YKTT8442DG</b>	4,747.	6,233.	6,903.	8,121.	9,959.	9,959.	n/a
	96"	48"	27 3/4"	<b>YKTT9648DG</b>	5,273.	7,209.	8,098.	9,485.	12,065.	12,065.	n/a



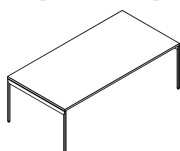
Tables with Round Shaped Glass Tops	42"	42"	17 3/4"	<b>YKTR42LG</b>	3,008.	3,750.	4,084.	4,871.	5,905.	5,905.	511.
	42"	42"	23 3/4"	<b>YKTR42MG</b>	3,008.	3,750.	4,084.	4,871.	5,905.	5,905.	511.
	42"	42"	27 3/4"	<b>YKTR42DG</b>	3,008.	3,750.	4,084.	4,871.	5,905.	5,905.	511.
	48"	48"	27 3/4"	<b>YKTR48DG</b>	3,324.	4,292.	4,725.	5,589.	6,721.	6,721.	522.



Tables with Square Shaped Glass Tops	30"	30"	17 3/4"	<b>YKTS3030LG</b>	2,279.	2,654.	2,825.	3,897.	3,604.	3,604.	522.
	30"	30"	23 3/4"	<b>YKTS3030MG</b>	2,279.	2,654.	2,825.	3,897.	3,604.	3,604.	522.
	30"	30"	27 3/4"	<b>YKTS3030DG</b>	2,279.	2,654.	2,825.	3,897.	3,604.	3,604.	522.
	36"	36"	27 3/4"	<b>YKTS3636DG</b>	2,484.	3,033.	3,276.	4,383.	4,397.	4,397.	620.
	42"	42"	27 3/4"	<b>YKTS4242DG</b>	2,789.	3,532.	3,866.	5,054.	5,395.	5,395.	677.
	48"	48"	27 3/4"	<b>YKTS4848DG</b>	3,038.	4,006.	4,445.	5,710.	6,441.	6,441.	749.



Tables with Rectangle Shaped Glass Tops	48"	24"	27 3/4"	<b>YKTS4824DG</b>	2,123.	2,612.	2,830.	3,135.	3,822.	3,822.	405.
	54"	27"	27 3/4"	<b>YKTS5427DG</b>	2,453.	3,068.	3,348.	3,738.	4,603.	4,603.	511.
	60"	30"	27 3/4"	<b>YKTS6030DG</b>	3,106.	3,861.	4,201.	4,712.	5,760.	5,760.	522.
	72"	36"	27 3/4"	<b>YKTS7236DG</b>	3,489.	4,578.	5,077.	5,746.	7,307.	7,307.	620.
	84"	42"	27 3/4"	<b>YKTS8442DG</b>	4,315.	6,015.	6,782.	7,148.	10,250.	10,250.	677.



## Ordering Information

### Tables

1. Pattern Number
2. Top Finish
3. Rail Paint Finish
4. Cradle Paint Finish (for chrome legs only)
5. Leg Paint Finish

## Order Code

### Tables

*Example:* **YKTS4824DG, TEMP, 118T, 118T, 118T**

<b>YK</b>	Table Kit
<b>TS</b>	Antenna Square Top
<b>48</b>	Depth
<b>24</b>	Width
<b>D</b>	Desk Height
<b>G</b>	Glass
<b>TEMP</b>	Clear Glass
<b>118T</b>	Bright White Rails
<b>118T</b>	Bright White Cradles
<b>118T</b>	Bright White Legs

## Included With

### Tables

Glass Top  
(2) Rails  
(2) End Legs  
(4) Cradles  
(4) Leveling Glides  
Attachment Hardware

## Options

### Table

#### Glass Top Finish Options:

Add finish option as suffix to pattern number:

(TEMP) = Clear Glass  
(GL13) = Powder Glass  
(GL85) = Starfire Clear Glass  
(GL35) = Grey Tinted Glass  
(GL11) = Back Painted Black Glass  
(GL45) = Back Painted White Glass

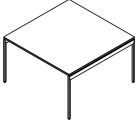
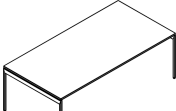
#### Leg Finish Options:

End Legs are available in Knoll core paints, Clear (138), Dark Red (130) and Slate blue (131) paint finishes, as well as polished chrome (PD) finish.

Add the chrome base upcharge to the table list price when the table base is specified with a chrome finish.

Chrome base is not available on track shaped tables.

24" and 30" Deep  
 Overlay Tops  
 Square and Rectangle

description	width	depth	height	pattern number	Color Core Laminate (C)	V1 (V)	V2 (V)	V3 (V)	Chrome Base Upcharge
Tables with Square Shaped Overlay Tops 	30"	30"	18 1/2"	<b>YKPTS3030L( )</b>	\$2,695.	\$2,086.	\$2,270.	\$2,695.	\$522.
	30"	30"	24 1/2"	<b>YKPTS3030M( )</b>	2,695.	2,086.	2,270.	2,695.	522.
	30"	30"	28 1/2"	<b>YKPTS3030D( )</b>	2,695.	2,086.	2,270.	2,695.	522.
	36"	36"	28 1/2"	<b>YKPTS3636D( )</b>	2,868.	2,214.	2,412.	2,868.	620.
	42"	42"	28 1/2"	<b>YKPTS4242D( )</b>	3,056.	2,360.	2,572.	3,056.	677.
	48"	48"	28 1/2"	<b>YKPTS4848D( )</b>	3,217.	2,477.	2,701.	3,217.	749.
Tables with Rectangle Shaped Overlay Tops 	48"	24"	28 1/2"	<b>YKPTS4824D( )</b>	2,770.	2,144.	2,332.	2,771.	405.
	54"	27"	28 1/2"	<b>YKPTS5427D( )</b>	2,979.	2,300.	2,507.	2,979.	511.
	60"	30"	28 1/2"	<b>YKPTS6030D( )</b>	3,120.	2,400.	2,619.	3,120.	522.
	72"	36"	28 1/2"	<b>YKPTS7236D( )</b>	3,353.	2,566.	2,918.	3,353.	620.
	84"	42"	28 1/2"	<b>YKPTS8442D( )</b>	3,700.	2,853.	3,109.	3,700.	677.

**Ordering Information**

- Tables**
1. Pattern Number
  2. Top Finish
  3. Edge Finish  
(for laminate tops only)
  4. Rail Paint Finish
  5. Cradle Paint Finish  
(for chrome legs only)
  6. Leg Paint Finish

**Order Code**

<b>Tables</b>	
<i>Example:</i>	<b>YKPTS3030DL, 311, V440, 118T, 118T, 118T</b>
<b>YK</b>	Table Kit
<b>PTS</b>	Overlay Square Top
<b>30</b>	Depth
<b>30</b>	Width
<b>D</b>	Desk Height
<b>C</b>	Color Core Laminate
<b>311</b>	Solid Gallery White Top
<b>V440</b>	Natural Hemlock Edge
<b>118T</b>	Bright White Paint
<b>118T</b>	Bright White Paint

**Included With**

- Tables**
- Antenna Top
  - (2) Rails
  - (2) End Legs
  - (4) Cradles
  - (4) Leveling Glides
  - Attachment Hardware

**Options**

- Table**
- Top Finish Options:**  
 (C) = Color Core Laminate  
 (V) = Veneer
- Leg Finish Options:**
- Table Desk End Legs are available in Knoll core paints, Clear (138), Dark Red (130) and Slate blue (131) paint finishes, as well as polished chrome (PD) finish.
- Add the chrome base upcharge to the table list price when the table base is specified with a chrome finish.

### Antenna Y-base Tables

Antenna Y-base tables offer unobstructed kneespace and advanced cable management in compact shapes designed for small workstations and meeting spaces. Y-base tables combine standard detail laminate or veneer Antenna tops with a grommet centered over posts with an integral wire management channel and a low profile, three-spoke "Y" base or "bowtie" shape base.

**Round tables** 36" in diameter are available in three heights of Y-shape bases: 24½" medium height, 28½" desk height and 36½" standing height. The lowest of these is suitable for use of portable electronics in casual work areas. Round tables 42" in diameter are available in 24½" medium height and 28½" desk height only. Base spokes extend to align with the perimeter of the top.

**Track shape tables** 72" x 36" and 84" x 42" are available in two heights of bowtie-shape bases with two columns: 28½" desk height and 36½" standing height.

**Rectangular top tables** 72" x 36" and 84" x 42" are available in two heights of the same bowtie-shape bases as track-shape tables: 28½" desk height and 36½" standing height.

### Construction

Antenna tops are nominal 1<sup>3</sup>/<sub>16</sub>" thick with a laminate or veneer surface finish. Laminate tops have a laminate top surface with an FSC-certified particle board core and a neutral tone backer sheet for a balanced construction. Edges can match the top or contrast in color, in 2.8mm ABS with 2.4mm radius tops and bottom edges. Long edges of rectangular tops overlap side edges with a 2.4mm radius on outside corners.

Techwood and natural veneer tops have a veneer top surface, an FSC-certified particle board core and a neutral tone backer sheet for balanced constructions. Veneer tops have matching finish 2.0mm solid veneer or ABS edges on all sides. Top and bottom edges have a 2.0mm radius. Veneer grain direction is parallel to long sides of track shape and rectangular tops.

**Round tables** in 36" diameter include a formed steel, three-prong top plate, 2½" diameter aluminum center post with vertical wire manager and removable aluminum access cover, solid hub weldment, and three 1¼" square steel tube base spokes with end caps. Track shape and rectangular tables 36" x 72" include two 2½" center posts, joined with hub weldments to two spokes and a 1¼" square steel tube stretcher between posts. Each spoke includes a 1½" leveler with 3⁄8" stems and continuous ¾" adjustment range.

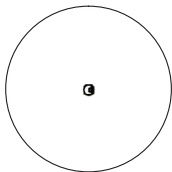
**Round tables** in 42" diameter include a steel, three-prong top plate, 3" diameter aluminum center post with vertical wire manager and removable aluminum access cover, solid hub weldment, and three 1½" square steel tube base spokes with end caps. Track shape and rectangular tables 42" x 84" include two 3" diameter center posts, joined with hub weldments to two spokes and a 2½" square steel tube stretcher between posts. Each spoke includes a 1½" leveler with 3⁄8" stems and continuous ¾" adjustment range.

### Specification Options

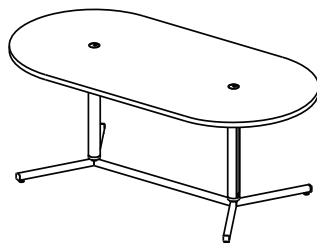
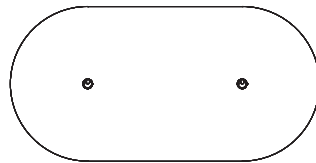
Table tops may be specified in any Antenna solid, pattern or woodgrain laminate, with matching or contrasting ABS edge, or in any Antenna Techwood or natural veneer with matching solid veneer or ABS edge. Round tops may be specified with or without 2" dia. center grommet, in painted aluminum liner and flush round cap with mousehole. Track and rectangular shapes may be specified with or without two grommets centered over posts.

Top plate is painted black. Base column, spokes and stretchers may be specified in any standard Antenna painted finish.

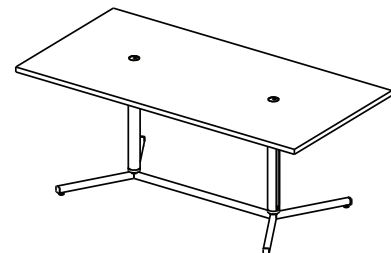
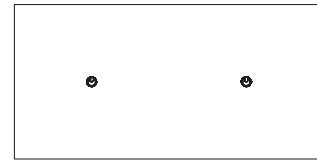
Grommet may be specified in any standard Antenna painted finish.



Round Table, 36" or 42"  
Top in Medium, Desk  
Height or Standing Height



Track Shape Table,  
36" x 72" or 42" x 84" Top in  
Desk or Standing Height



Rectangular Top Table,  
72" x 36" or 84" x 42" Top in  
Desk or Standing Height

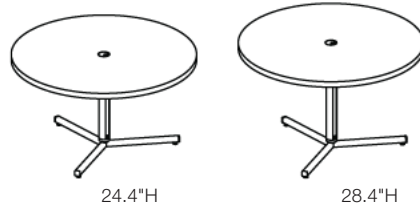
# Y-base tables

## Planning Guidelines and Specifications

36" Round in Medium, Desk Height and Standing Height



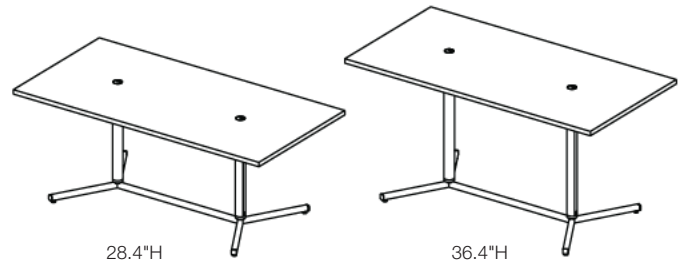
42" Round in Medium and Desk Heights



36" x 72" and 42" x 84" Track Shapes in Desk and Standing Heights



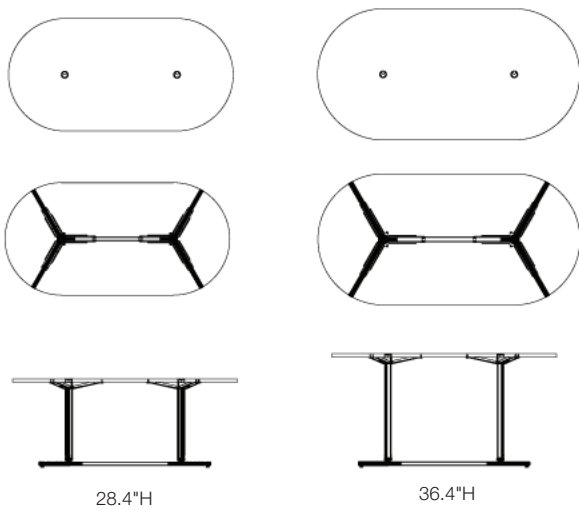
72" x 36" and 84" x 42" Rectangles in Desk and Standing Heights



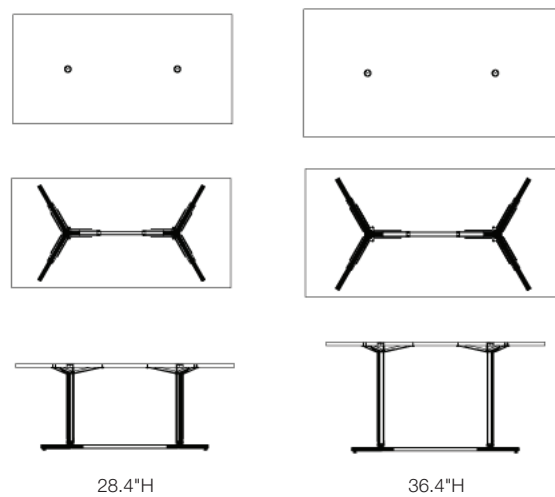
Elevation View of 36" Diameter Table at Medium, Desk and Standing Height



Track Shape Tables, 36" x 72", 42" x 84" in Desk Height and Standing Height





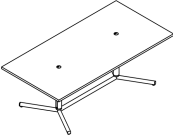
Rectangular Tables, 72 x 36", 84 x 42", in Desk Height and Standing Height



# Y-base tables

## Antenna tops

### Round, track and rectangle

description	type	w	d	h	pattern no.	Laminate (L)	M/V1 (V)	V2 (V)	V3 (V)	
Tables with Round Shape Antenna Tops 	medium height	36" dia.		24 1/2"	<b>YKTR36YMG</b>	\$1,421.	\$3,044.	\$3,102.	\$3,450.	
		42" dia.		24 1/2"	<b>YKTR42YMG</b>	1,767.	3,392.	3,479.	3,856.	
	desk height	36" dia.		28 1/2"	<b>YKTR36YDG</b>	1,480.	3,102.	3,161.	3,507.	
		42" dia.		28 1/2"	<b>YKTR42YDG</b>	1,826.	3,450.	3,537.	3,913.	
	standing height	36" dia.		36 1/2"	<b>YKTR36YHG</b>	1,566.	3,189.	3,246.	3,595.	
	Tables with Track Shape Antenna Tops 	desk height	72"	36"	28 1/2"	<b>YKTT7236YDG</b>	2,957.	4,378.	4,465.	5,016.
84"			42"	28 1/2"	<b>YKTT8442YDG</b>	3,711.	5,044.	5,160.	5,857.	
standing height		72"	36"	36 1/2"	<b>YKTT7236YHG</b>	3,131.	4,551.	4,638.	5,190.	
		84"	42"	36 1/2"	<b>YKTT8442YHG</b>	3,884.	5,217.	5,334.	6,031.	
Tables with Rectangle Shape Antenna Tops 		desk height	72"	36"	28 1/2"	<b>YKTS7236YDG</b>	2,841.	3,073.	3,189.	3,711.
			84"	42"	28 1/2"	<b>YKTS8442YDG</b>	3,450.	3,711.	3,884.	4,580.
	standing height	72"	36"	36 1/2"	<b>YKTS7236YHG</b>	3,015.	3,246.	3,479.	4,000.	
		84"	42"	36 1/2"	<b>YKTS8442YHG</b>	3,623.	3,884.	4,060.	4,755.	

Ordering Information	Order Code	Included With	Options
<b>Tables</b> 1. Pattern Number 2. Grommet / no grommet 3. Top surface type 4. Top finish 5. Edge Finish (for laminate tops only) 6. Base finish (paint) 7. Grommet finish (paint)	<b>Tables</b> <i>Example:</i> <b>YKTR36YMG</b> L, <b>118T</b> , <b>118T</b> , <b>118T</b> , <b>118T</b> , <b>118T</b> <hr/> <b>YK</b> Antenna Assembly <hr/> <b>T</b> Antenna Square Top <hr/> <b>R</b> Shape <hr/> <b>36</b> Size <hr/> <b>Y</b> Base Type <hr/> <b>L</b> Laminate <hr/> <b>118T</b> Bright White Top <hr/> <b>118T</b> Bright White Edge <hr/> <b>118T</b> Bright White Base <hr/> <b>118T</b> Bright White Grommet	<b>Tables</b> Antenna Top Top plate(s) Center post Base spokes Levelers Attachment Hardware	<b>Table</b> (G) Grommet(s) (N) No grommet For no grommets, deduct \$25 for round. Deduct \$50 for track shape and rectangle tops  <b>Top Finish Options:</b> (L) = Laminate (M) = Laminate top with wood edge (V) = Veneer  Top may be specified in any Knoll core laminate or veneer.  <b>Leg Finish Options:</b> Bases are available in Knoll core paints, Dark Red (130) and Slate blue (131) paint finishes.



# Media Enclave

## Planning Guidelines and Specifications

Media Enclave is a complete Antenna Workspaces activity space for small group meetings of three or four participants. Media Enclaves are ready to accept center beam mounted Sapper post with TV, and can discreetly manage collaborative technology to link meeting participants. Media Enclave facilitates change in technology or even reconfiguration into other sizes of work space.

Media Enclave is preconfigured from standard Antenna big table components for ease of ordering and planning. Media Enclave kits include table, table with end panel, and power for either table, each orderable with a single pattern number.

Media Enclave table includes two 60" x 24" tops with full width hinged access, an 18" x 53 1/2" extension top, two end legs, rails, center beam, beam top and end caps and beam mounted cable holders, 39" x 12" cable basket and all hardware for assembly. Media Enclave table plans as overall 78"W x 53 1/2"D x 28 1/2"H.

Media Enclave with End Panel includes 56"H x 53 1/2"W x 1 1/4" thick end panel in laminate surface, in addition to tops, end legs, rails, center beam, top cap, end cap and cable holders, cable basket and attachment hardware.

Media Enclave power kit mounts directly under center beam and includes power harness and covers, four duplex outlets on one circuit, and power infeed cable with pigtail to be field hardwired to a code approved junction box (not included).

### Construction

Tops and full width hinged surfaces are 1 3/16" thick with a laminate top surface, FSC-certified particle board core and a neutral tone backer sheet for balanced construction. Edgeband in 2.8mm ABS matches the top in color, with 2.4mm radii on top and bottom edges.

Rails are powder-coat painted 1 1/4" square steel tube with die cast aluminum end caps. Center beam is powder coat painted aluminum extrusion with continuous slots on front, back and underside for attachments and a center slot for attaching Sapper monitor masts, platform and other accessories. Beam end caps are painted steel.

End legs are steel weldments with 1" square legs and a 2 1/2" horizontal rail. Legs include 2 1/2" levelers with 3/8" stems and continuous 1 1/2" adjustment range. Legs include cradles and rail clamps in cast aluminum with countersunk fasteners into legs, mating parts and tops.

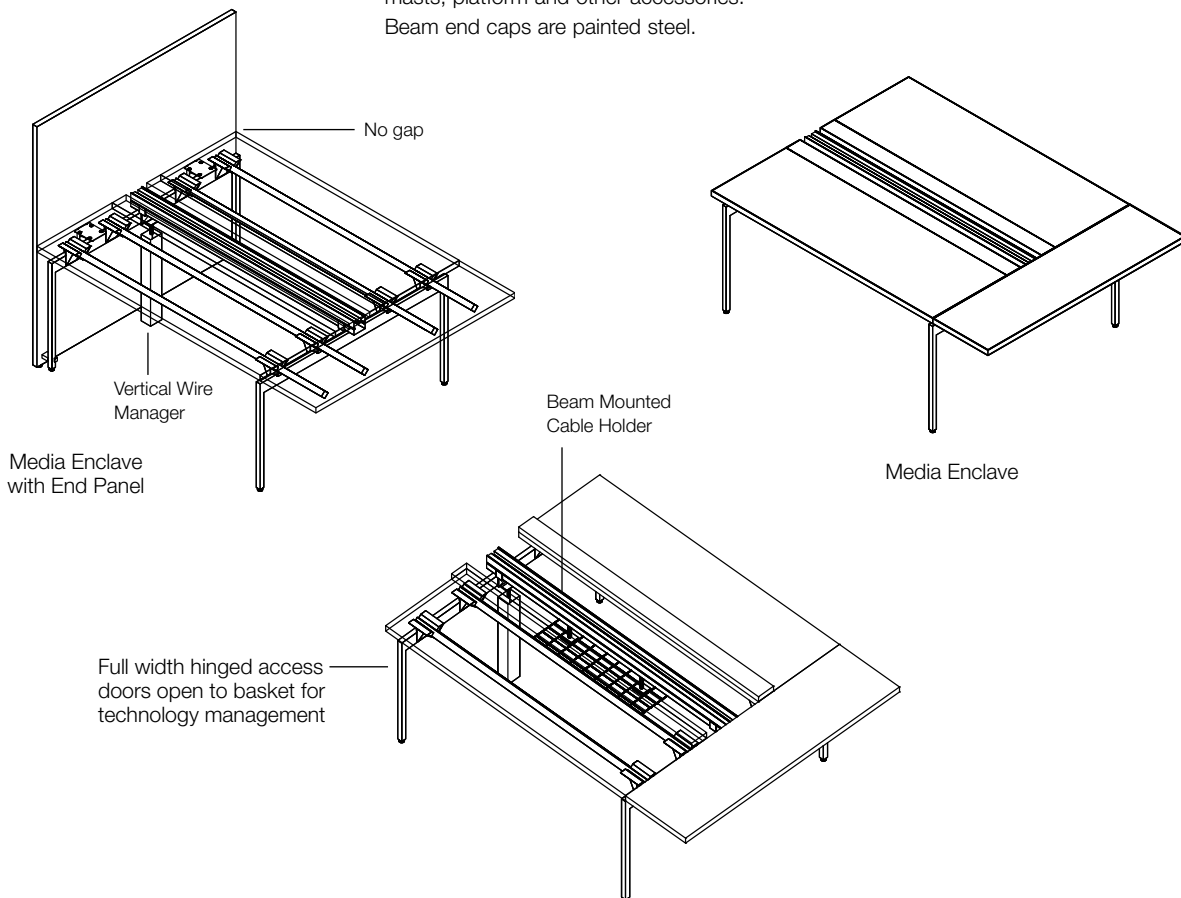
End panels are 1 3/16" thick with two laminate surfaces on FSC-certified particle board core. Edgeband in 2.8mm ABS matches the faces in color, with 2.4mm radii on top and vertical edges.

### Specification Options

Table tops may be specified in any Antenna solid laminate, with contrasting ABS edges. End panel can be specified in the same laminate as tops or in a contrasting laminate.

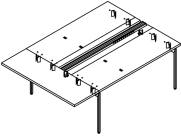
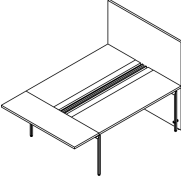
Legs and rails may be specified in any Antenna core paint finish. Center beam and end caps can be specified in the same or contrasting Antenna core paint finish.

Specify power components kit separately.



# Media Enclave

## *Antenna tops laminate only*

description	w	d	h	pattern no.	L	LM
Media enclave 	78"	53 1/2"	28 1/2"	<b>YKME7854NE</b>	\$4,612.	
Media enclave with end panel 	78"	53 1/2"	56"	<b>YKME7854HE</b>	5,558.	5,799.
Power kit for media enclave				<b>YKME4DA</b>	699.	

### Ordering Information

#### Media Enclave

1. Pattern Number
2. Top finish
3. Edge Finish
4. Center beam finish
5. Base finish

#### Media Enclave with End Panel

1. Pattern Number
2. Top finish
3. Edge Finish
4. End panel finish
5. Edge finish
6. Center beam finish
7. Base finish

### Order Code

#### Media Enclave

*Example:* **YKME7854NEL**  
**118,118,118,118**

**YK** Antenna Assembly

**ME** Media Enclave

**78** Width

**54** Depth

**NE** No end panel

**L** Laminate

**118** Top laminate

**118** Top edge

**118** Center beam finish

**118** Base finish

### Included With

#### Media Enclave

Antenna Top  
Center beam  
End Legs  
Rails  
Connecting Hardware  
End panel ( if applicable)

### Options

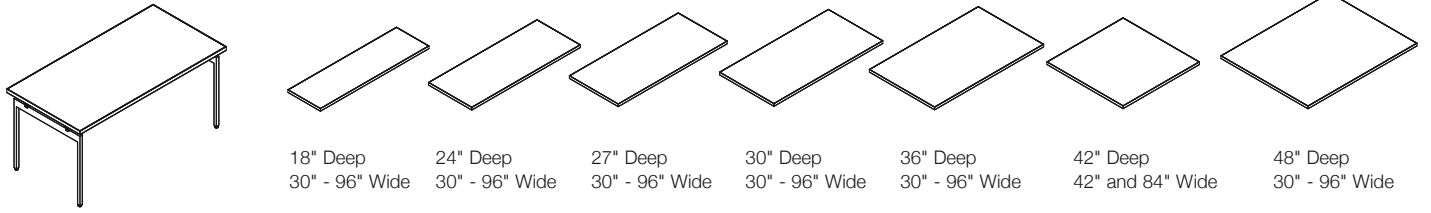
#### Media Enclave

HE high end panel  
NE no end panel

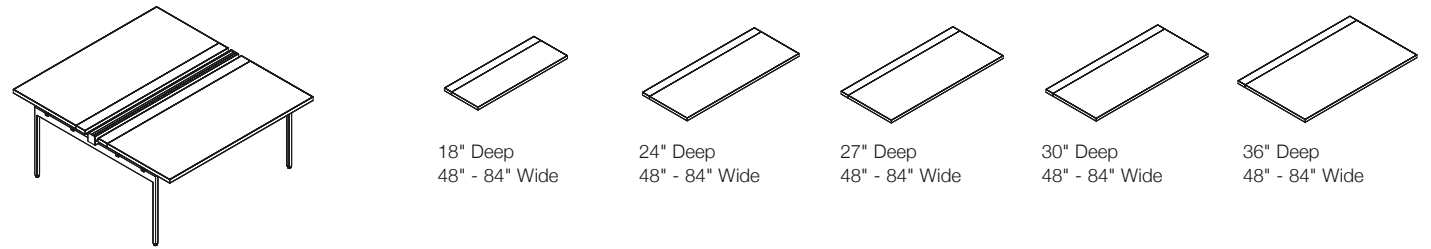
#### Leg Finish Options:

Legs may be specified in any Knoll core paints, Clear (138), Dark Red (130) and Slate blue (131) paint finishes.

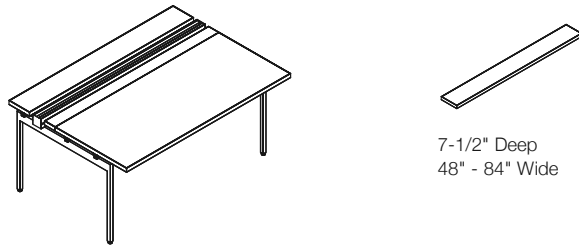
**Rectangular Tops for Desks or Big Tables**



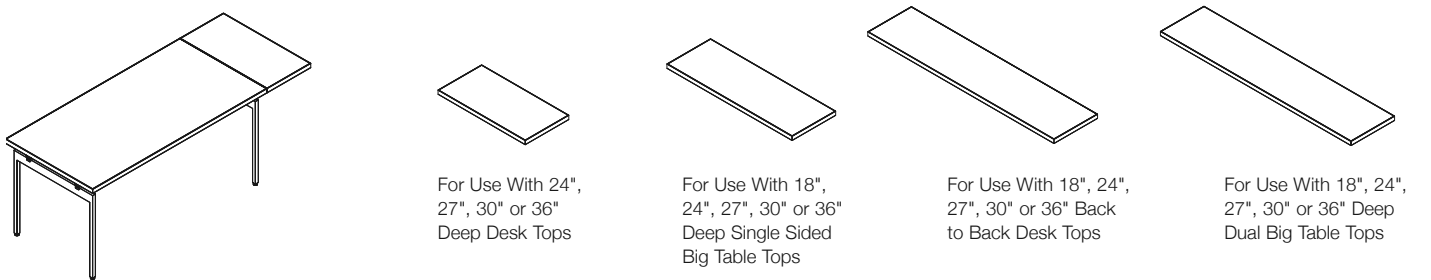
**Rectangular with Hinged Access Tops for Big Tables**



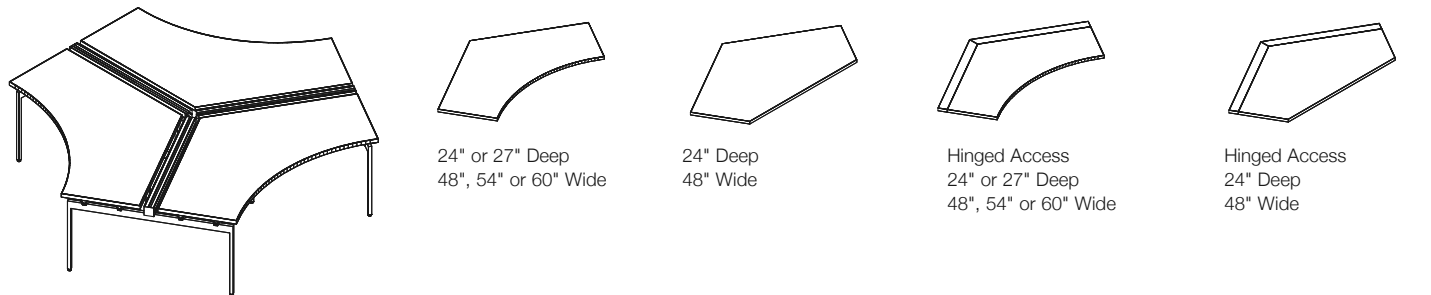
**Back Tops for Single Sided Big Table**



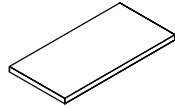
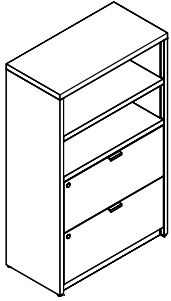
**Extension Tops for Desks or Big Tables**



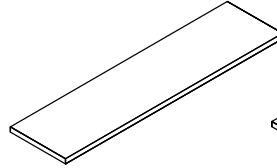
**120 Degree Tops for Big Tables**



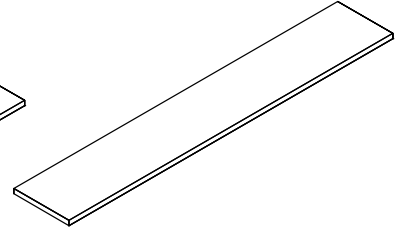
Full Width Template Tops



Single Unit Cases  
24" - 48" Wide

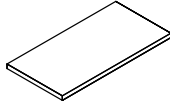
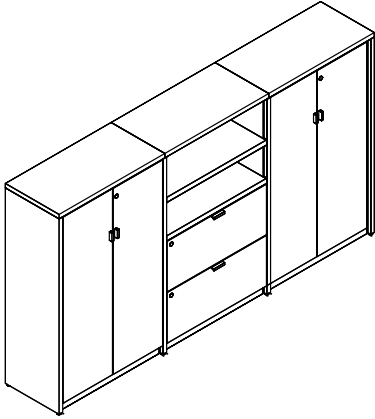


Double Unit Cases  
48" - 96" Wide

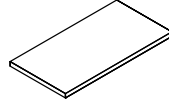


Triple Unit Cases  
72" - 96" Wide

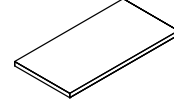
End and Mid Position Template Tops



End Position,  
Single Unit Cases  
18" - 48" Wide

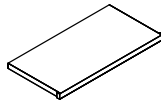
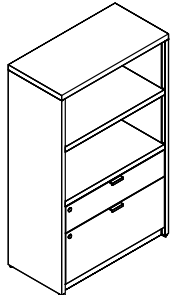


End Position,  
Multiple Unit Cases  
60" - 96" Wide

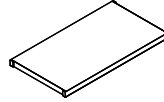


Mid Position  
24" - 48" Wide

Template Worksurface Shelves



Single-Sided  
18" - 72" Wide



Dual-Sided  
18" - 72" Wide

**Tops**

Tops for Antenna Workspaces are the central element in any type of planning. Tops are available in two types: Antenna tops, in laminate or veneer, and Overlay tops, in laminate or veneer top surface with solid wood edge.

**Antenna Tops**

Antenna tops are designed in straightforward rectangular shapes optimized for stand-alone applications as well as linking side by side or at right angles, or in big tables. Tops are universal in application as tables, desks, returns, or bridges.

Tops for desks or tables are full dimension, 18", 24", 27", 30", 36", 42" and 48" depths, and available in every 6" increment of width from 30"-96". 18" deep tops are for return or bridge applications. Tops 18"-36" deep in widths from 48"-84" can also be planned in big table applications.

Tops with hinged access are dedicated to big table applications, with a full width or partial 24" wide, 3 3/4" deep hinged section for easy access to outlets and wire management below the center beam. Hinged access tops are available in 18", 24", 27", 30" and 36" overall depths and widths from 48"-84" in all 6" increments.

Back tops are specified for single sided big tables. They are 7.5" deep and match desk widths in 6" increments from 48"-84". Back tops are supported by a single rail on the other side of the center beam from the primary top.

Extension tops plan at the end of a desk, back to back desks or big table. They are 15" wide and match desks 24", 27", 30" or 36" deep. Extension tops for back to back desks are 15" wide and match tops 18", 24", 27", 30" or 36" deep with overall depths of 39-3/4", 51 3/4", 57 3/4", 63 3/4" or 75 3/4". Extension tops for dual big tables are 15" or 18" wide and match overall dual big table depths of 41 1/2", 53 1/2", 59 1/2", 65 1/2" and 77 1/2". Extension tops 15" wide are also available for single sided 18", 24", 27", 30" or 36" deep big tables with overall depth of 31", 37", 40", 43", or 49". Extension tops can be planned in the same or contrasting surface finish as adjacent laminate or veneer tops. Desk and big table connector kits and rails 12" wider than the adjacent top are needed for 15" wide extension top, or 15" wider for 18" wide extension top.

**Construction**

Antenna tops are nominal 1 3/16" thick with a laminate or veneer surface finish.

Laminate tops have a laminate top surface with an FSC-certified particle board core and a neutral tone backer sheet for balanced construction. Edges can match the top

or contrast in color, in 2.8mm ABS with 2.4mm radius top and bottom edges.

Front and back edges overlap ends with a 2.4 mm radius on outside corners. Acrylonitrile Butadiene Styrene (ABS) is a polymer used as an alternative to PVC and rubber. It is phthalate-free, flame retardant, has high heat and impact resistance, good processability, dimensional stability and high gloss.

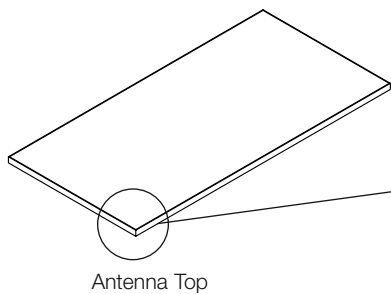
Techwood and natural veneer tops have a veneer top surface, an FSC-certified particle board core and a neutral tone backer sheet for balanced construction. Veneer tops have matching finish 2.0mm solid veneer edges on all sides. Top and bottom edges have a 2.0mm radius. Veneer grain direction is parallel to front edge on desk tops, and parallel to end on extension tops.

All tops have pilot holes for the two most common mounting conditions for desk legs and return connections: legs inset 1 1/2" or 5 1/2" from the both ends of the top.

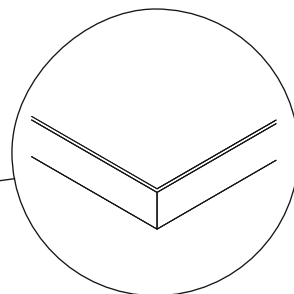
**Specification Options**

Tops available in any Knoll core laminate or veneer finish. For laminate tops, specify edgeband to match any Knoll core laminate. For veneer tops, edge must match top.

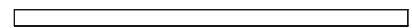
Laminate tops with centered hinged access door must specify a solid color laminate for the door. Edge finish for the door defaults to the edge finish selected for the top.



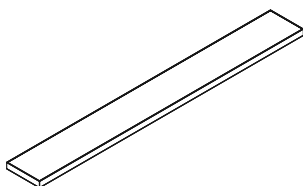
Antenna Top



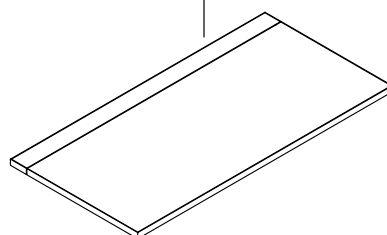
3 3/4" Hinged Access



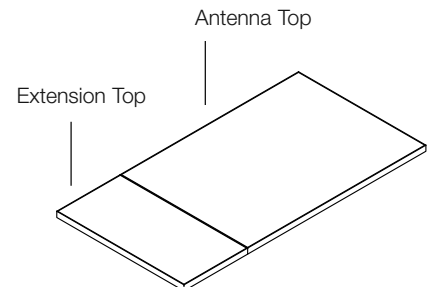
Antenna Top End Elevation



Back Top for Single Sided Big Table



Antenna Hinged Access Top

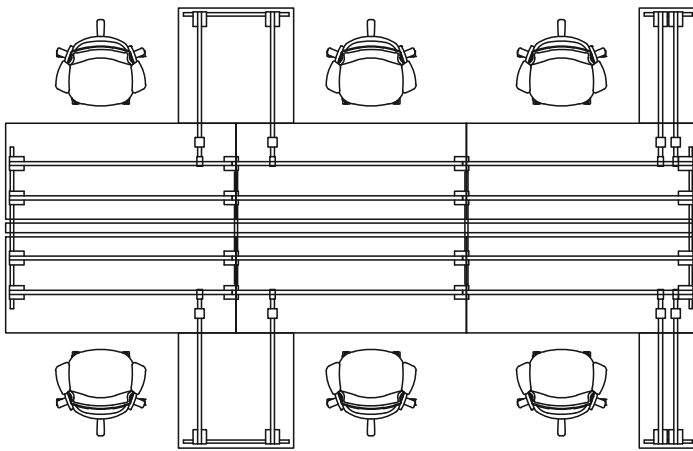


Antenna Desk Top with Extension Top

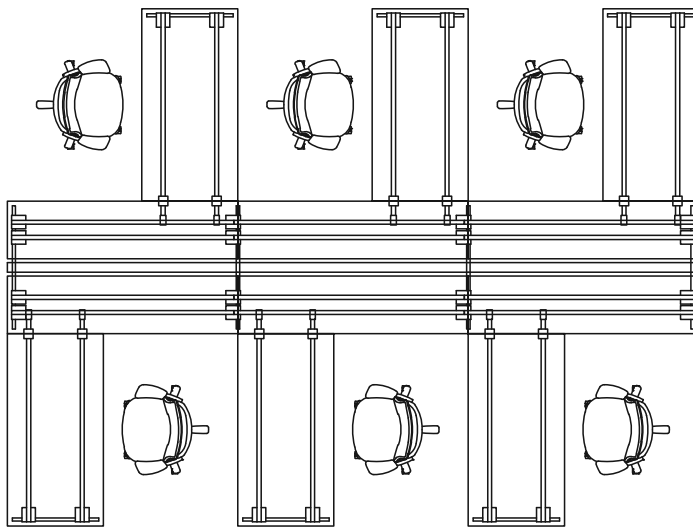
**Return Top Applications**

Antenna tops of any depth can serve as returns for desks or big tables at any point. For example 36", 42" or 48" deep tops can be a cost-effective shared return centered on adjacent linked desks or big table tops. These can be supported by a single pair of return rails and a desk end leg or table desk end leg.

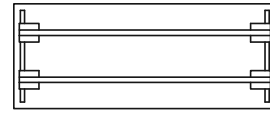
In another type of planning, 27" or 30" deep tops can become individual, primary desk surfaces as returns off of a 24" deep big table "spine".



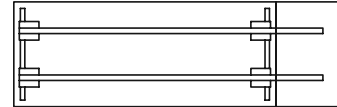
30" Deep Dual Sided Big Table with Returns as Secondary Workspaces



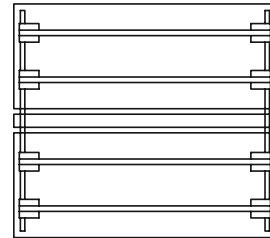
18" Deep Dual Sided Big Table with Returns as Primary Workspaces



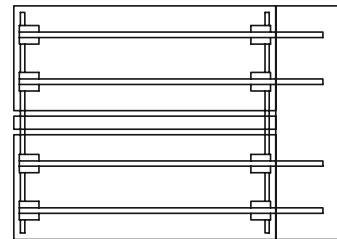
Rectangular Table



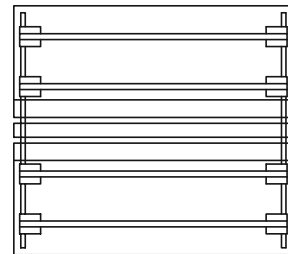
Rectangular Desk with Extension Top



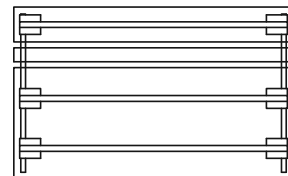
Dual Sided Big Table



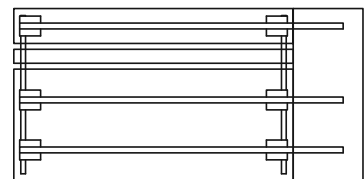
Dual Sided Big Table with Extension Top



Dual Sided Big Table with Hinged Access Tops




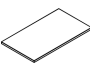
Single Sided Big Table



Single Sided Big Table with Extension Top

# Antenna Tops For Desks or Big Tables

## 18" and 24" Deep Rectangular

description	w	d	h	pattern no.	Laminate (L)	M/V1 (V)	V2 (V)	V3 (V)
Antenna Tops, 18" Deep Rectangular 	30"	18"	1 1/4"	<b>YT3018</b>	\$196.	\$445.	\$511.	\$691.
	36"	18"	1 1/4"	<b>YT3618</b>	219.	469.	540.	730.
	42"	18"	1 1/4"	<b>YT4218</b>	255.	495.	570.	767.
	48"	18"	1 1/4"	<b>YT4818</b>	283.	514.	591.	799.
	54"	18"	1 1/4"	<b>YT5418</b>	300.	539.	622.	837.
	60"	18"	1 1/4"	<b>YT6018</b>	327.	566.	652.	877.
	66"	18"	1 1/4"	<b>YT6618</b>	352.	589.	678.	916.
	72"	18"	1 1/4"	<b>YT7218</b>	371.	616.	706.	954.
	78"	18"	1 1/4"	<b>YT7818</b>	400.	638.	736.	994.
	84"	18"	1 1/4"	<b>YT8418</b>	420.	671.	771.	1,042.
	90"	18"	1 1/4"	<b>YT9018</b>	467.	702.	802.	1,088.
96"	18"	1 1/4"	<b>YT9618</b>	518.	727.	834.	1,125.	
Antenna Tops, 24" Deep Rectangular 	30"	24"	1 1/4"	<b>YT3024</b>	225.	484.	554.	751.
	36"	24"	1 1/4"	<b>YT3624</b>	253.	507.	585.	790.
	42"	24"	1 1/4"	<b>YT4224</b>	288.	534.	615.	828.
	48"	24"	1 1/4"	<b>YT4824</b>	323.	557.	640.	867.
	54"	24"	1 1/4"	<b>YT5424</b>	350.	594.	684.	924.
	60"	24"	1 1/4"	<b>YT6024</b>	377.	632.	729.	985.
	66"	24"	1 1/4"	<b>YT6624</b>	408.	659.	757.	1,022.
	72"	24"	1 1/4"	<b>YT7224</b>	424.	683.	788.	1,062.
	78"	24"	1 1/4"	<b>YT7824</b>	458.	715.	824.	1,112.
	84"	24"	1 1/4"	<b>YT8424</b>	484.	748.	859.	1,160.
	90"	24"	1 1/4"	<b>YT9024</b>	544.	777.	895.	1,208.
96"	24"	1 1/4"	<b>YT9624</b>	592.	807.	931.	1,256.	

### Ordering Information

#### Antenna Tops

1. Pattern Number
2. Top Finish
3. Edge Finish  
(for laminate tops only)

### Order Code

#### Antenna Tops

*Example:* **YT7824L, 118, 118**

<b>YT</b>	Pattern Number
<b>78</b>	Width
<b>24</b>	Depth
<b>L</b>	Laminate
<b>118</b>	Bright White Top
<b>118</b>	Bright White Edge

### Included With

#### Antenna Tops

### Options

#### Antenna Tops

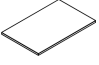

#### Top Finish Options:

Add an (L) for laminate, (M) for laminate with wood edge or (V) for veneer suffix to pattern number.

Specify 18" deep tops for return or bridge applications only.

# Antenna Tops For Desks or Big Tables

## 27" and 30" Deep Rectangular

description	w	d	h	pattern no.	Laminate (L)	M/V1 (V)	V2 (V)	V3 (V)
Antenna Tops, 27" Deep Rectangular 	30"	27"	1 1/4"	<b>YT3027</b>	\$255.	\$501.	\$578.	\$780.
	36"	27"	1 1/4"	<b>YT3627</b>	283.	534.	615.	828.
	42"	27"	1 1/4"	<b>YT4227</b>	317.	557.	640.	867.
	48"	27"	1 1/4"	<b>YT4827</b>	350.	589.	678.	916.
	54"	27"	1 1/4"	<b>YT5427</b>	389.	627.	722.	973.
	60"	27"	1 1/4"	<b>YT6027</b>	423.	665.	763.	1,031.
	66"	27"	1 1/4"	<b>YT6627</b>	465.	683.	788.	1,062.
	72"	27"	1 1/4"	<b>YT7227</b>	486.	707.	816.	1,099.
	78"	27"	1 1/4"	<b>YT7827</b>	519.	740.	851.	1,150.
	84"	27"	1 1/4"	<b>YT8427</b>	550.	771.	886.	1,199.
	90"	27"	1 1/4"	<b>YT9027</b>	604.	807.	931.	1,256.
96"	27"	1 1/4"	<b>YT9627</b>	654.	840.	967.	1,304.	
Antenna Tops, 30" Deep Rectangular 	30"	30"	1 1/4"	<b>YT3030</b>	283.	528.	606.	818.
	36"	30"	1 1/4"	<b>YT3630</b>	313.	566.	652.	877.
	42"	30"	1 1/4"	<b>YT4230</b>	340.	584.	671.	905.
	48"	30"	1 1/4"	<b>YT4830</b>	377.	627.	722.	972.
	54"	30"	1 1/4"	<b>YT5430</b>	428.	665.	763.	1,031.
	60"	30"	1 1/4"	<b>YT6030</b>	471.	702.	806.	1,090.
	66"	30"	1 1/4"	<b>YT6630</b>	526.	715.	824.	1,112.
	72"	30"	1 1/4"	<b>YT7230</b>	544.	740.	851.	1,150.
	78"	30"	1 1/4"	<b>YT7830</b>	583.	771.	886.	1,199.
	84"	30"	1 1/4"	<b>YT8430</b>	619.	802.	923.	1,247.
	90"	30"	1 1/4"	<b>YT9030</b>	665.	840.	967.	1,304.
96"	30"	1 1/4"	<b>YT9630</b>	712.	871.	1,001.	1,354.	

Tops

### Ordering Information

#### Antenna Tops

1. Pattern Number
2. Top Finish
3. Edge Finish (for laminate tops only)

### Order Code

#### Antenna Tops

*Example:* **YT7827L, 118, 118**

<b>YT</b>	Pattern Number
<b>78</b>	Width
<b>27</b>	Depth
<b>L</b>	Laminate
<b>118</b>	Bright White Top
<b>118</b>	Bright White Edge

### Included With

#### Antenna Tops

### Options

#### Antenna Tops


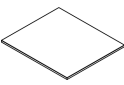
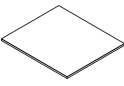
#### Top Finish Options:

Add an (L) for laminate, (M) for laminate with wood edge or (V) for veneer suffix to pattern number.



# Antenna Tops For Desks or Big Tables

## 36", 42" and 48" Deep Rectangular

description	w	d	h	pattern no.	Laminate (L)	M/V1 (V)	V2 (V)	V3 (V)
Antenna Tops, 36" Deep Rectangular 	30"	36"	1 1/4"	<b>YT3036</b>	\$309.	\$566.	\$652.	\$877.
	36"	36"	1 1/4"	<b>YT3636</b>	342.	601.	692.	934.
	42"	36"	1 1/4"	<b>YT4236</b>	374.	638.	736.	994.
	48"	36"	1 1/4"	<b>YT4836</b>	413.	677.	780.	1,051.
	54"	36"	1 1/4"	<b>YT5436</b>	469.	715.	824.	1,112.
	60"	36"	1 1/4"	<b>YT6036</b>	519.	753.	866.	1,168.
	66"	36"	1 1/4"	<b>YT6636</b>	578.	791.	908.	1,225.
	72"	36"	1 1/4"	<b>YT7236</b>	598.	828.	952.	1,286.
	78"	36"	1 1/4"	<b>YT7836</b>	638.	866.	996.	1,343.
	84"	36"	1 1/4"	<b>YT8436</b>	680.	903.	1,039.	1,402.
	90"	36"	1 1/4"	<b>YT9036</b>	731.	942.	1,082.	1,461.
96"	36"	1 1/4"	<b>YT9636</b>	786.	971.	1,119.	1,508.	
Antenna Tops, 42" Deep Rectangular 	42"	42"	1 1/4"	<b>YT4242</b>	405.	687.	791.	1,067.
	84"	42"	1 1/4"	<b>YT8442</b>	749.	970.	1,118.	1,507.
Antenna Tops, 48" Deep Rectangular 	30"	48"	1 1/4"	<b>YT3048</b>	359.	654.	751.	1,013.
	36"	48"	1 1/4"	<b>YT3648</b>	394.	683.	788.	1,062.
	42"	48"	1 1/4"	<b>YT4248</b>	432.	734.	843.	1,137.
	48"	48"	1 1/4"	<b>YT4848</b>	496.	777.	895.	1,208.
	54"	48"	1 1/4"	<b>YT5448</b>	566.	823.	948.	1,278.
	60"	48"	1 1/4"	<b>YT6048</b>	624.	866.	996.	1,343.
	66"	48"	1 1/4"	<b>YT6648</b>	692.	908.	1,046.	1,413.
	72"	48"	1 1/4"	<b>YT7248</b>	721.	952.	1,094.	1,480.
	78"	48"	1 1/4"	<b>YT7848</b>	766.	996.	1,146.	1,544.
	84"	48"	1 1/4"	<b>YT8448</b>	816.	1,039.	1,196.	1,612.
	90"	48"	1 1/4"	<b>YT9048</b>	878.	1,082.	1,244.	1,679.
96"	48"	1 1/4"	<b>YT9648</b>	942.	1,119.	1,286.	1,737.	

### Ordering Information

#### Antenna Tops

1. Pattern Number
2. Top Finish
3. Edge Finish  
(for laminate tops only)

### Order Code

#### Antenna Tops

*Example:* **YT7836L, 118, 118**

<b>YT</b>	Pattern Number
<b>78</b>	Width
<b>36</b>	Depth
<b>L</b>	Laminate
<b>118</b>	Bright White Top
<b>118</b>	Bright White Edge

### Included With

#### Antenna Tops

### Options

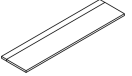
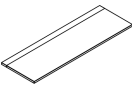
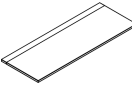
#### Antenna Tops

#### Top Finish Options:

Add an (L) for laminate, (M) for laminate with wood edge or (V) for veneer suffix to pattern number.

# Antenna Hinged Access Tops for Big Tables

## 18", 24" and 27" Deep Rectangular

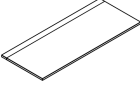
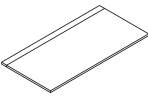
description	w	d	h	pattern no.	Laminate (L)	M/V1 (V)	V2 (V)	V3 (V)
Antenna Big Table Tops with Hinged Access, 18" Deep 	48"	18"	1 1/4"	<b>YTH4818</b>	\$649.	\$880.	\$956.	\$1,164.
	54"	18"	1 1/4"	<b>YTH5418</b>	666.	904.	988.	1,203.
	60"	18"	1 1/4"	<b>YTH6018</b>	692.	931.	1,016.	1,241.
	66"	18"	1 1/4"	<b>YTH6618</b>	718.	954.	1,044.	1,282.
	72"	18"	1 1/4"	<b>YTH7218</b>	737.	980.	1,072.	1,320.
	78"	18"	1 1/4"	<b>YTH7818</b>	763.	1,004.	1,101.	1,359.
	84"	18"	1 1/4"	<b>YTH8418</b>	787.	1,036.	1,135.	1,408.
Antenna Big Table Tops with Hinged Access, 24" Deep 	48"	24"	1 1/4"	<b>YTH4824</b>	651.	884.	1,017.	1,373.
	54"	24"	1 1/4"	<b>YTH5424</b>	676.	922.	1,060.	1,430.
	60"	24"	1 1/4"	<b>YTH6024</b>	703.	958.	1,103.	1,490.
	66"	24"	1 1/4"	<b>YTH6624</b>	734.	986.	1,132.	1,530.
	72"	24"	1 1/4"	<b>YTH7224</b>	752.	1,009.	1,162.	1,568.
	78"	24"	1 1/4"	<b>YTH7824</b>	783.	1,041.	1,199.	1,616.
	84"	24"	1 1/4"	<b>YTH8424</b>	807.	1,072.	1,233.	1,664.
Antenna Big Table Tops with Hinged Access, 27" Deep 	48"	27"	1 1/4"	<b>YTH4827</b>	676.	916.	1,054.	1,421.
	54"	27"	1 1/4"	<b>YTH5427</b>	715.	953.	1,095.	1,481.
	60"	27"	1 1/4"	<b>YTH6027</b>	751.	992.	1,138.	1,537.
	66"	27"	1 1/4"	<b>YTH6627</b>	793.	1,009.	1,162.	1,568.
	72"	27"	1 1/4"	<b>YTH7227</b>	809.	1,035.	1,191.	1,606.
	78"	27"	1 1/4"	<b>YTH7827</b>	845.	1,067.	1,225.	1,655.
	84"	27"	1 1/4"	<b>YTH8427</b>	877.	1,096.	1,262.	1,703.

Tops

Ordering Information	Order Code	Included With	Options
<b>Antenna Big Table Tops</b> 1. Pattern Number 2. Top Finish 3. Edge Finish (for laminate tops only) 4. Paint Finish	<b>Antenna Big Table Tops</b> <i>Example:</i> <b>YTH7827L, 118, 118, 118T</b> <hr/> <b>YT</b> Pattern Number <hr/> <b>H</b> Hinged Access <hr/> <b>78</b> Width <hr/> <b>27</b> Depth <hr/> <b>L</b> Laminate <hr/> <b>118</b> Bright White Top <hr/> <b>118</b> Bright White Edge <hr/> <b>118T</b> Bright White Paint	<b>Antenna Big Table Tops</b>	<b>Antenna Big Table Tops</b> <b>Top Finish Options:</b> Add an (L) for laminate, (M) for laminate with wood edge or (V) for veneer suffix to pattern number.

# Antenna Hinged Access Tops for Big Tables

## 30" and 36" Deep Rectangular

description	w	d	h	pattern no.	Laminate (L)	M/V1 (V)	V2 (V)	V3 (V)
Antenna Big Table Tops with Hinged Access, 30" Deep 	48"	30"	1 1/4"	<b>YTH4830</b>	\$703.	\$953.	\$1,095.	\$1,481.
	54"	30"	1 1/4"	<b>YTH5430</b>	754.	992.	1,138.	1,537.
	60"	30"	1 1/4"	<b>YTH6030</b>	798.	1,028.	1,181.	1,597.
	66"	30"	1 1/4"	<b>YTH6630</b>	850.	1,047.	1,204.	1,626.
	72"	30"	1 1/4"	<b>YTH7230</b>	871.	1,067.	1,225.	1,655.
	78"	30"	1 1/4"	<b>YTH7830</b>	907.	1,096.	1,262.	1,703.
	84"	30"	1 1/4"	<b>YTH8430</b>	946.	1,128.	1,297.	1,752.
Antenna Big Table Tops with Hinged Access, 36" Deep 	48"	36"	1 1/4"	<b>YTH4836</b>	816.	1,079.	1,180.	1,452.
	54"	36"	1 1/4"	<b>YTH5436</b>	871.	1,118.	1,224.	1,513.
	60"	36"	1 1/4"	<b>YTH6036</b>	921.	1,155.	1,267.	1,571.
	66"	36"	1 1/4"	<b>YTH6636</b>	979.	1,193.	1,312.	1,628.
	72"	36"	1 1/4"	<b>YTH7236</b>	1,000.	1,230.	1,355.	1,688.
	78"	36"	1 1/4"	<b>YTH7836</b>	1,041.	1,267.	1,397.	1,746.
	84"	36"	1 1/4"	<b>YTH8436</b>	1,081.	1,305.	1,440.	1,804.

### Ordering Information

#### Antenna Tops

1. Pattern Number
2. Top Finish
3. Edge Finish  
(for laminate tops only)
4. Paint Finish

### Order Code

#### Antenna Tops

*Example:* **YTH7830L, 118, 118,**

**118T**

**YT** Pattern Number

**H** Hinged Access

**78** Width

**30** Depth

**L** Laminate

**118** Bright White Top

**118** Bright White Edge

**118T** Bright White Paint

### Included With

#### Antenna Tops

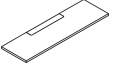
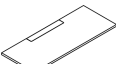
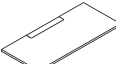
### Options

#### Antenna Tops

#### Top Finish Options:

Add an (L) for laminate, (M) for laminate with wood edge or (V) for veneer suffix to pattern number.

# Antenna Centered Hinged Access Tops for Big Tables 18", 24" and 27" Deep Rectangular

description	w	d	h	pattern no.	Laminate (L)	M/V1 (V)	V2 (V)	V3 (V)
Antenna Big Table Tops with Centered Hinged Access, 18" Deep 	48"	18"	1 1/4"	<b>YTD4818</b>	\$649.	\$880.	\$956.	\$1,164.
	54"	18"	1 1/4"	<b>YTD5418</b>	666.	904.	988.	1,203.
	60"	18"	1 1/4"	<b>YTD6018</b>	692.	931.	1,016.	1,241.
	66"	18"	1 1/4"	<b>YTD6618</b>	718.	954.	1,044.	1,282.
	72"	18"	1 1/4"	<b>YTD7218</b>	737.	980.	1,072.	1,320.
	78"	18"	1 1/4"	<b>YTD7818</b>	763.	1,004.	1,101.	1,359.
	84"	18"	1 1/4"	<b>YTD8418</b>	787.	1,036.	1,135.	1,408.
Antenna Big Table Tops with Centered Hinged Access, 24" Deep 	48"	24"	1 1/4"	<b>YTD4824</b>	651.	884.	1,017.	1,373.
	54"	24"	1 1/4"	<b>YTD5424</b>	676.	922.	1,060.	1,430.
	60"	24"	1 1/4"	<b>YTD6024</b>	703.	958.	1,103.	1,490.
	66"	24"	1 1/4"	<b>YTD6624</b>	734.	986.	1,132.	1,530.
	72"	24"	1 1/4"	<b>YTD7224</b>	752.	1,009.	1,162.	1,568.
	78"	24"	1 1/4"	<b>YTD7824</b>	783.	1,041.	1,199.	1,616.
	84"	24"	1 1/4"	<b>YTD8424</b>	807.	1,072.	1,233.	1,664.
Antenna Big Table Tops with Centered Hinged Access, 27" Deep 	48"	27"	1 1/4"	<b>YTD4827</b>	676.	916.	1,054.	1,421.
	54"	27"	1 1/4"	<b>YTD5427</b>	715.	953.	1,095.	1,481.
	60"	27"	1 1/4"	<b>YTD6027</b>	751.	992.	1,138.	1,537.
	66"	27"	1 1/4"	<b>YTD6627</b>	793.	1,009.	1,162.	1,568.
	72"	27"	1 1/4"	<b>YTD7227</b>	809.	1,035.	1,191.	1,606.
	78"	27"	1 1/4"	<b>YTD7827</b>	845.	1,067.	1,225.	1,655.
	84"	27"	1 1/4"	<b>YTD8427</b>	877.	1,096.	1,262.	1,703.

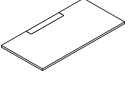
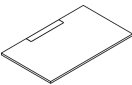
Tops

Ordering Information	Order Code	Included With	Options
<b>Antenna Big Table Tops</b> 1. Pattern Number 2. Top Finish 3. Door Finish (for laminate tops only) 4. Edge Finish (for laminate tops only) 5. Paint Finish	<b>Antenna Big Table Tops</b> <i>Example:</i> <b>YTD7827L, 118, 118, 118, 118T</b> <hr/> <b>YT</b> Pattern Number <hr/> <b>D</b> Centered Hinged Access <hr/> <b>78</b> Width <hr/> <b>27</b> Depth <hr/> <b>L</b> Laminate <hr/> <b>118</b> Bright White Top <hr/> <b>118</b> Bright White Door <hr/> <b>118</b> Bright White Edge <hr/> <b>118T</b> Bright White Paint	<b>Antenna Big Table Tops</b>	<b>Antenna Big Table Tops</b> <b>Top Finish Options:</b> Add an (L) for laminate, (M) for laminate with wood edge or (V) for veneer suffix to pattern number.

# Antenna Centered Hinged Access Tops for Big Tables

## 30" and 36" Deep Rectangular

Antenna Workspaces

description	w	d	h	pattern number	Laminate (L)	M/V1 (V)	V2 (V)	V3 (V)
Antenna Big Table Tops with Centered Hinged Access, 30" Deep 	48"	30"	1 1/4"	<b>YTD4830</b>	\$703.	\$953.	\$1,095.	\$1,481.
	54"	30"	1 1/4"	<b>YTD5430</b>	754.	992.	1,138.	1,537.
	60"	30"	1 1/4"	<b>YTD6030</b>	798.	1,028.	1,181.	1,597.
	66"	30"	1 1/4"	<b>YTD6630</b>	850.	1,047.	1,204.	1,626.
	72"	30"	1 1/4"	<b>YTD7230</b>	871.	1,067.	1,225.	1,655.
	78"	30"	1 1/4"	<b>YTD7830</b>	907.	1,096.	1,262.	1,703.
	84"	30"	1 1/4"	<b>YTD8430</b>	946.	1,128.	1,297.	1,752.
Antenna Big Table Tops with Centered Hinged Access, 36" Deep 	48"	36"	1 1/4"	<b>YTD4836</b>	816.	1,079.	1,180.	1,452.
	54"	36"	1 1/4"	<b>YTD5436</b>	871.	1,118.	1,224.	1,513.
	60"	36"	1 1/4"	<b>YTD6036</b>	921.	1,155.	1,267.	1,571.
	66"	36"	1 1/4"	<b>YTD6636</b>	979.	1,193.	1,312.	1,628.
	72"	36"	1 1/4"	<b>YTD7236</b>	1,000.	1,230.	1,355.	1,688.
	78"	36"	1 1/4"	<b>YTD7836</b>	1,041.	1,267.	1,397.	1,746.
	84"	36"	1 1/4"	<b>YTD8436</b>	1,081.	1,305.	1,440.	1,804.

### Ordering Information

#### Antenna Big Table Tops

1. Pattern Number
2. Top Finish
3. Door Finish  
(for laminate tops only)
4. Edge Finish  
(for laminate tops only)
5. Paint Finish

### Order Code

#### Antenna Big Table Tops

*Example:* **YTD7827L, 118, 118, 118, 118T**

<b>YT</b>	Pattern Number
<b>D</b>	Centered Hinged Access
<b>78</b>	Width
<b>27</b>	Depth
<b>L</b>	Laminate
<b>118</b>	Bright White Top
<b>118</b>	Bright White Door
<b>118</b>	Bright White Edge
<b>118T</b>	Bright White Paint

### Included With

#### Antenna Big Table Tops

### Options

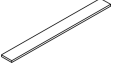
#### Antenna Big Table Tops

#### Top Finish Options:

Add an (L) for laminate, (M) for laminate with wood edge or (V) for veneer suffix to pattern number.

# Antenna Back Tops for Single Sided Big Tables

## 7.5" Deep Rectangular

description	w	d	pattern no.	Laminate (L)	M/V1 (V)	V2 (V)	V3 (V)
Antenna Back Tops for Single Sided Big Tables, 7.5" Deep 	48"	7.5"	<b>YT4808</b>	\$199.	\$392.	\$452.	\$586.
	54"	7.5"	<b>YT5408</b>	211.	409.	469.	612.
	60"	7.5"	<b>YT6008</b>	248.	446.	514.	667.
	66"	7.5"	<b>YT6608</b>	254.	455.	523.	680.
	72"	7.5"	<b>YT7208</b>	263.	463.	533.	691.
	78"	7.5"	<b>YT7808</b>	268.	469.	540.	702.
	84"	7.5"	<b>YT8408</b>	276.	511.	588.	762.

Tops

### Ordering Information

#### Antenna Tops

1. Pattern Number
2. Top Finish
3. Edge Finish  
(for laminate tops only)

### Order Code

#### Antenna Tops

*Example:* **YT5408L, 118, 118**

<b>YT</b>	Top
<b>54</b>	Width
<b>08</b>	Depth
<b>L</b>	Laminate
<b>118</b>	Bright White Top
<b>118</b>	Bright White Edge

### Included With

#### Antenna Tops

### Options






#### Antenna Tops

#### Top Finish Options:

Add an (L) for laminate, (M) for laminate with wood edge or (V) for veneer suffix to pattern number.

# Antenna Extension Tops for Desks and Big Tables

## 15" and 18" Wide Rectangular

description	type	w	d	h	pattern no.	Laminate (L)	M/V1 (V)	V2 (V)	V3 (V)
Antenna Desk Extension Tops, 15" Wide Rectangular 	For use with 24" deep desk tops	15"	24"	1 1/4"	<b>YTE1524</b>	\$184.	\$351.	\$405.	\$544.
	For use with 27" deep desk tops	15"	27"	1 1/4"	<b>YTE1527</b>	191.	364.	418.	566.
	For use with 30" deep desk tops	15"	30"	1 1/4"	<b>YTE1530</b>	196.	375.	432.	585.
	For use with 36" deep desk tops	15"	36"	1 1/4"	<b>YTE1536</b>	219.	403.	462.	624.
Antenna Back to Back Desk Extension Tops, 15" Wide Rectangular 	For use with 18" deep back to back tops	15"	39 3/4"	1 1/4"	<b>YTE1539</b>	293.	420.	484.	654.
	For use with 24" deep back to back tops	15"	51 3/4"	1 1/4"	<b>YTE1552</b>	337.	472.	543.	734.
	For use with 27" deep back to back tops	15"	57 3/4"	1 1/4"	<b>YTE1558</b>	350.	490.	566.	760.
	For use with 30" deep back to back tops	15"	63 3/4"	1 1/4"	<b>YTE1564</b>	365.	510.	587.	794.
	For use with 36" deep back to back tops	15"	75 3/4"	1 1/4"	<b>YTE1576</b>	377.	519.	589.	840.
Antenna Dual Sided Big Table Extension Tops, 15" Wide Rectangular 	For use with 18" deep dual big table tops	15"	41 1/2"	1 1/4"	<b>YTE1541</b>	293.	420.	484.	654.
	For use with 24" deep dual big table tops	15"	53 1/2"	1 1/4"	<b>YTE1553</b>	337.	472.	543.	734.
	For use with 27" deep dual big table tops	15"	59 1/2"	1 1/4"	<b>YTE1559</b>	350.	490.	566.	760.
	For use with 30" deep dual big table tops	15"	65 1/2"	1 1/4"	<b>YTE1565</b>	365.	510.	587.	794.
	For use with 36" deep dual big table tops	15"	77 1/2"	1 1/4"	<b>YTE1577</b>	377.	519.	589.	840.
Antenna Dual Sided Big Table Extension Tops, 18" Wide Rectangular 	For use with 18" deep dual big table tops	18"	41 1/2"	1 1/4"	<b>YTE1841</b>	300.	504.	581.	783.
	For use with 24" deep dual big table tops	18"	53 1/2"	1 1/4"	<b>YTE1853</b>	347.	569.	651.	882.
	For use with 27" deep dual big table tops	18"	59 1/2"	1 1/4"	<b>YTE1859</b>	383.	591.	678.	916.
	For use with 30" deep dual big table tops	18"	65 1/2"	1 1/4"	<b>YTE1865</b>	393.	616.	701.	951.
	For use with 36" deep dual big table tops	18"	77 1/2"	1 1/4"	<b>YTE1877</b>	416.	626.	720.	997.
Antenna Single Sided Big Table Extension Tops, 15" Wide Rectangular 	For use with 18" deep single big table tops	15"	31"	1 1/4"	<b>YTE1531</b>	195.	430.	494.	640.
	For use with 24" deep single big table tops	15"	37"	1 1/4"	<b>YTE1537</b>	213.	443.	510.	662.
	For use with 27" deep single big table tops	15"	40"	1 1/4"	<b>YTE1540</b>	220.	449.	518.	672.
	For use with 30" deep single big table tops	15"	43"	1 1/4"	<b>YTE1543</b>	224.	490.	564.	733.
	For use with 36" deep single big table tops	15"	49"	1 1/4"	<b>YTE1549</b>	261.	504.	581.	753.

Ordering Information	Order Code	Included With	Options
<b>Antenna Extension Tops</b>	<b>Antenna Extension Tops</b>	<b>Antenna Extension Tops</b>	<b>Antenna Extension Tops</b>
1. Pattern Number	<i>Example:</i> <b>YTE1559L, 118, 118</b>		<b>Top Finish Options:</b>
2. Top Finish	<b>YT</b> Pattern Number		Add an (L) for laminate, (M) for
3. Edge Finish (for laminate tops only)	<b>E</b> Extension		laminate with wood edge or (V) for
	<b>15</b> Width		veneer suffix to pattern number.
	<b>59</b> Depth		
	<b>L</b> Laminate		
	<b>118</b> Bright White Top		
	<b>118</b> Bright White Edge		

Antenna dual big tables can be planned in 120 degree configurations with 120 degree Antenna tops, deep inset intermediate legs, standard big table end legs, rails, center beams and power components.

120 degree Antenna tops match the straight top edge details for laminate and veneer surfaces. Tops have a curvilinear front edge and are available in 48"x48", 54"x54" and 60"x60" widths 24" and 27" deep. 120 degree corner tops are also available with a straight front edge 48" x 48" in 24" depth only. All tops are available with or without a 3 3/4"D hinged access on each back edge with a mitered joint in the back corner.

When planning with 120 degree tops, a deep inset intermediate leg must be specified. The vertical legs are shifted to allow for ample kneespace. The top of the deep inset intermediate leg has two standard cradles for rails, two extended arm cradles and brackets for the center beam between them.

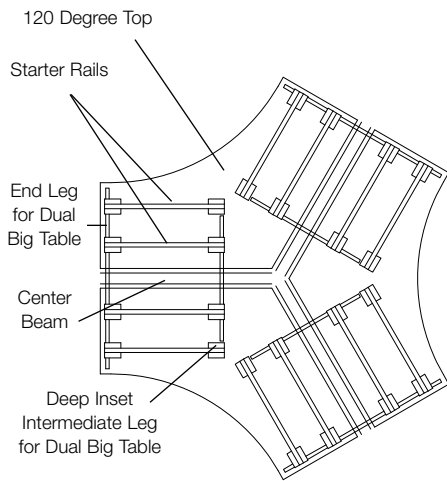
Big table 120 degree planning uses the same components and capabilities as standard straight big table applications: linked modular power components, cable baskets and wire management, center beam mounted screens, storage and monitor arms. Pedestals must be specified as mobile or freestanding with ballast for 120 degree applications.

### Basic Triad Planning

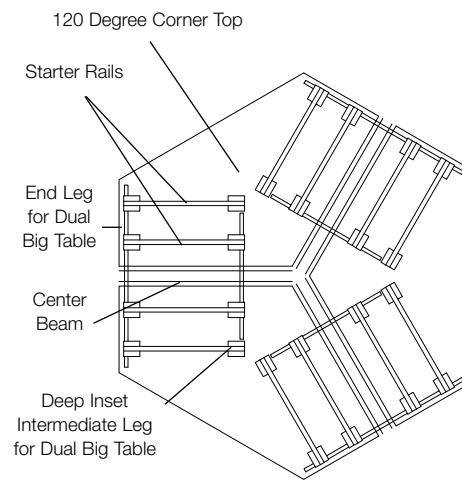
Desk tops are supported by a pair of starter rails parallel to each back edge 15" less wide than top width. Between each 120 degree desk top back edge is a matching 48", 54" or 60" center beam, with three beam end caps at the center of the configuration, as well as on outside conditions. Rails and center beam are supported by an end leg for big table at each outside end and by three deep inset intermediate legs in the center of the configuration.

### Triad Planning with Extension Tops

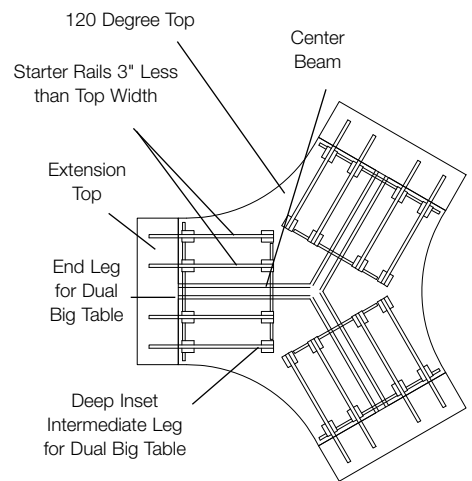
Antenna extension tops can be added at the ends of big table triads in 53" depths for 24" deep 120 tops or 59" depths for 27" deep 120 tops. Desk top rails need to be 12" longer to support the 15"W extension tops, so starter rails are 3" less than the 120 top widths. For example, specify 45" wide starter rails for 15"W extension tops planned outside the end of a triad of 48" wide 120 degree tops. Desk top rails need to be 15" longer to support 18"W extension tops, so starter rails are the same as the 120 top widths. Center beam widths remain the same, but the ends of the center beams next to extension tops need partial center beam end caps.



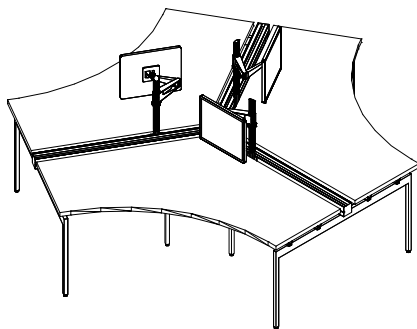
Basic Triad with 120 Degree Tops



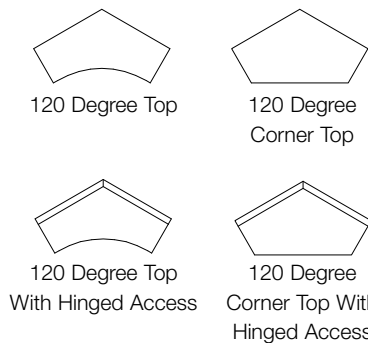
Basic Triad with 120 Degree Corner Tops



Basic Triad with 120 Degree and Extension Tops



Basic Triad with 120 Degree Tops



Top Width	Starter Rail Length	Extended Rail Length	Center Beam Width
48"	33"	36"	48"
54"	39"	42"	54"
60"	45"	48"	60"

Rail and Center Beam Dimensions for 120 Degree Planning



### Triad Planning with Adjacent Rectangular Tops

Rectangular big table tops with a center beam in 48" to 84" widths can extend at the ends of big table triads. Rectangular tops can be supported by matching width extended rails, a big table intermediate leg or inset intermediate leg and a big table end leg.

### Dogbone Planning Configurations

When two triads are linked, two end legs can be replaced by a single big table intermediate leg or inset intermediate leg. Two pairs of starter rails for one of the two triads should be changed to extended rails that are 3" longer. All other components are unchanged.

Dogbone configurations can also be linked by straight desk tops and matching width center beams. In this application, the straight tops can be supported by pairs of extended rails matching in width, extended rails under one of the adjacent triads and big table intermediate or inset intermediate legs.

### Construction

Antenna tops are nominal 1 3/16" thick with a laminate or veneer surface finish.

Laminate tops have a laminate top surface with an FSC-certified particle board core and a neutral tone backer sheet for balanced construction. Edges can match the top or contrast in color, in 2.8mm ABS with 2.4mm radius top and bottom edges. Front and back edges overlap ends with a 2.4 mm radius on outside corners. Acrylonitrile Butadiene Styrene (ABS) is a polymer used as an alternative to PVC and rubber. It is phthalate-free, flame retardant, has high heat and impact resistance, good processability, dimensional stability and high gloss.

Techwood and natural veneer tops have a veneer top surface, an FSC-certified particle board core and a neutral tone backer sheet for balanced construction. Veneer tops have

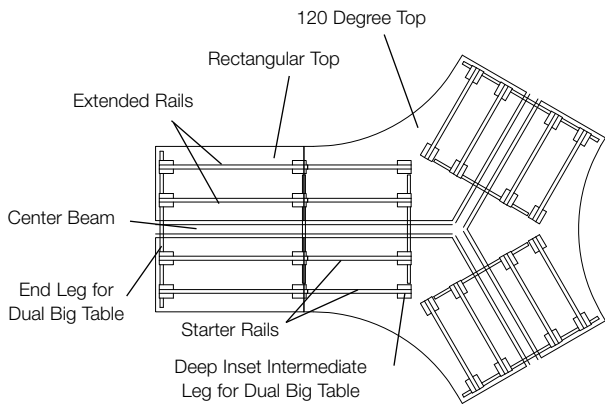
matching finish 2.0mm solid veneer edges on all sides. Top and bottom edges have a 2.0mm radius. Veneer grain direction is parallel to front edge on desk tops, and parallel to end on extension tops. Veneer grain direction on hinged access door is parallel to back edge of desk tops. All tops have pilot holes for the two most common mounting conditions for desk legs and return connections: legs inset 1 1/2" or 5 1/2" from the both ends of the top.

### Specification Options

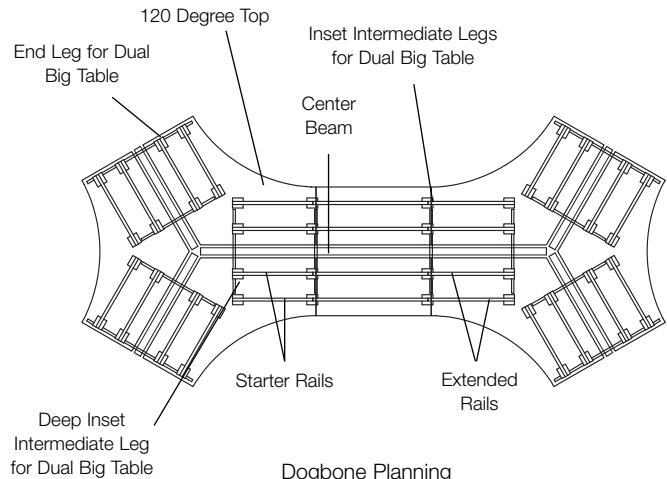
Tops available in any Knoll Core laminate or veneer finish. For laminate tops, specify edgeband to match any Knoll Core laminate.

Laminate tops with centered hinged access door in 120 shape must specify a solid color laminate for the door finish. Edge finish for the door defaults to the edge finish selected for the top.

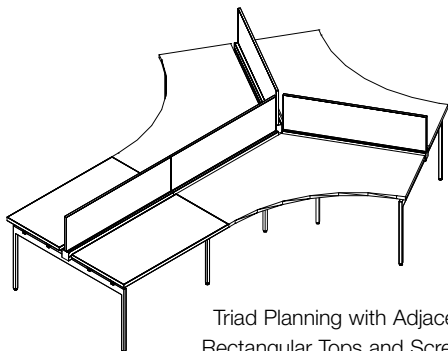
For veneer tops, edge must match top.



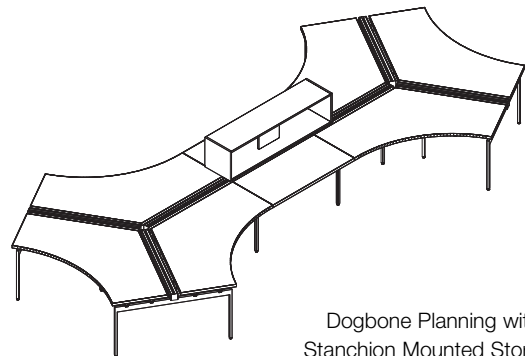
Triad Planning with Adjacent Rectangular Tops



Dogbone Planning

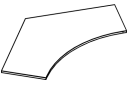
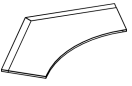
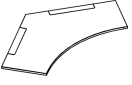
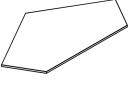
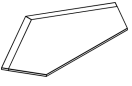
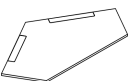


Triad Planning with Adjacent Rectangular Tops and Screens



Dogbone Planning with Stanchion Mounted Storage

# Antenna Tops for 120° Planning 24" and 27" Deep

description	w	d	h	pattern no.	Laminate (L)	M/V1 (V)	V2 (V)	V3 (V)
 120° Top	48"	24"	1 1/4"	<b>YTVC24484824( )</b>	\$828.	\$1,826.	\$2,100.	\$2,730.
	48"	27"	1 1/4"	<b>YTVC27484827( )</b>	840.	1,856.	2,136.	2,776.
	54"	24"	1 1/4"	<b>YTVC24545424( )</b>	883.	1,930.	2,221.	2,886.
	54"	27"	1 1/4"	<b>YTVC27545427( )</b>	978.	n/a	n/a	n/a
	60"	24"	1 1/4"	<b>YTVC24606024( )</b>	1,021.	n/a	n/a	n/a
	60"	27"	1 1/4"	<b>YTVC27606027( )</b>	1,037.	n/a	n/a	n/a
 120° Top with Hinged Access	48"	24"	1 1/4"	<b>YTHVC24484824( )</b>	1,690.	3,013.	3,463.	4,503.
	48"	27"	1 1/4"	<b>YTHVC27484827( )</b>	1,702.	3,046.	3,503.	4,553.
	54"	24"	1 1/4"	<b>YTHVC24545424( )</b>	1,748.	3,162.	3,635.	4,726.
	54"	27"	1 1/4"	<b>YTHVC27545427( )</b>	1,761.	3,191.	3,670.	4,771.
	60"	24"	1 1/4"	<b>YTHVC24606024( )</b>	1,913.	3,270.	3,758.	4,885.
	60"	27"	1 1/4"	<b>YTHVC27606027( )</b>	1,929.	n/a	n/a	n/a
 120° Top with Centered Hinged Access	48"	24"	1 1/4"	<b>YTDVC24484824( )</b>	1,690.	3,013.	n/a	n/a
	48"	27"	1 1/4"	<b>YTDVC27484827( )</b>	1,702.	3,046.	n/a	n/a
	54"	24"	1 1/4"	<b>YTDVC24545424( )</b>	1,748.	3,162.	n/a	n/a
	54"	27"	1 1/4"	<b>YTDVC27545427( )</b>	1,761.	3,191.	n/a	n/a
	60"	24"	1 1/4"	<b>YTDVC24606024( )</b>	1,913.	3,270.	n/a	n/a
	60"	27"	1 1/4"	<b>YTDVC27606027( )</b>	1,929.	n/a	n/a	n/a
 120° Corner Top	48"	24"	1 1/4"	<b>YTVS24484824( )</b>	828.	1,784.	2,050.	2,667.
 120° Corner Top with Hinged Access	48"	24"	1 1/4"	<b>YTHVS24484824( )</b>	1,690.	3,088.	3,549.	4,616.
 120° Corner Top with Centered Hinged Access	48"	24"	1 1/4"	<b>YTDVS24484824( )</b>	1,690.	3,088.	n/a	n/a

Tops

Ordering Information	Order Code	Included With	Options
<b>Antenna Tops</b> 1. Pattern Number 2. Top Finish 3. Edge Finish (for laminate tops only)	<b>Antenna Tops</b> <i>Example:</i> <b>YTHVC27545427L, 118, 118</b>	<b>Antenna Tops</b>	<b>Antenna Tops</b> <b>Top Finish Options:</b> (L) = Laminate (M) = Laminate top with wood edge (V) = Veneer
<b>Antenna Top with Centered Hinged Access</b> 1. Pattern Number 2. Top Finish 3. Door Finish 4. Edge Finish 5. Paint Finish	<b>YT</b> Antenna Top <b>H</b> Hinged Access <b>VC</b> 120° <b>27</b> Depth <b>54</b> Width <b>54</b> Width <b>27</b> Depth <b>L</b> Laminate <b>118</b> Bright White Laminate <b>118</b> Bright White Edge <b>118T</b> Bright White Paint		

Antenna tops and worksurface shelves for use with the Template Storage System are designed to match the front edge material, profile and thickness of Antenna desk and table tops.

### Antenna Tops for the Template Storage System

Antenna wood tops for Template are fastened to the top of end and mid panels for credenza or worksurface height Template units. Tops vary in width from 15"-96", based on the number of mid panels in a linked cluster of Template units. Tops are application specific because Template tops are full width for a single unit and are 1" shorter for each shared mid panel within multiple unit configurations.

Full width tops are 15" deep in 24", 30", 36", 42" and 48" widths for single unit cases.

For two position cases, with one shared mid panel, full width tops are available 1" less wide than nominal widths from 48"-96" in every 6" increment. For three position cases, with two mid panels, full width tops are available 2" less than nominal 72"-96" widths in 6" increments.

Antenna end position tops are available for end positions of multiple unit Template configurations. End position tops are 1/2" less than nominal widths, so one end of the top ends in the middle of a mid panel. For mid position applications within multiple unit cases, Antenna tops are available 1" less than nominal widths.

Both ends of a middle position top end in the middle of mid panels. End and mid position tops are designed to cover single Template section widths occurring at either the end or middle of a run.

### Worksurface Shelves for the Template Storage System

Worksurface shelves are required above Template box or file drawer inserts or when attaching Antenna desk tops to Template storage units. Antenna worksurface shelves match the front edge radius and material of Antenna tops.

Worksurface shelves are available in two types: single sided and dual sided. Single sided shelves are detailed to fit flush to the front edge of the end or mid panels, with a back edge dimensioned to provide a wire drop or space for a tackable insert inside the back panel. Dual sided shelves fit flush to both the front and back edges of end or mid panels, which creates an open pass through the Template unit.

Worksurface shelves are available in every 6" increment of nominal width from 18"-48" plus 60" and 72" widths. Actual overall dimension is 2" less than nominal width.

For standard Template shelves with Template design details, specify shelves in metal, laminate or veneer.

### Construction

Antenna tops are nominal 1 3/16" thick with laminate or veneer surface finish.

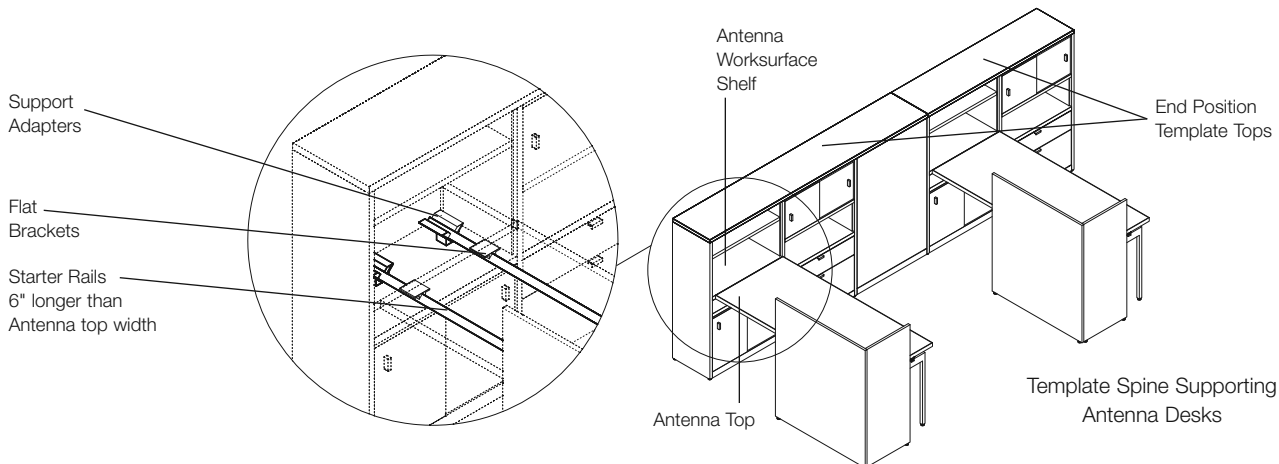
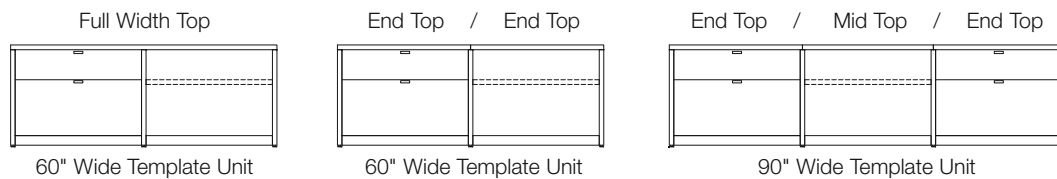
Laminate tops have a laminate top surface with an FSC-certified particle board core and a neutral tone backer sheet for balanced construction. Edges can match the top or contrast in color in 2.8mm ABS with 2.4mm radius top and bottom edges. Front and back edges overlap ends with a 2.4 mm radius on outside corners.

Acrylonitrile Butadiene Styrene (ABS) is a polymer used as an alternative to PVC and rubber. It is phthalate-free, flame retardant, has high heat and impact resistance, good processability, dimensional stability and high gloss.

Techwood and natural veneer tops have a veneer top surface with an FSC-certified particle board core and a neutral tone backer sheet for balanced construction. Veneer tops have matching finish 2.0mm solid veneer edges on all sides. Top and bottom edges have a 2.0mm radius. Veneer grain direction is parallel to front edge.

### Specifications Options

Tops or worksurface shelf surfaces are available in any Knoll core laminate or veneer. For laminate tops and shelves, specify edgeband to match any Knoll core laminate. For veneer tops and shelves, edge must match top.

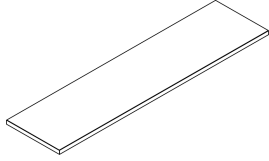


# Antenna Tops and Worksurface Shelves for Template

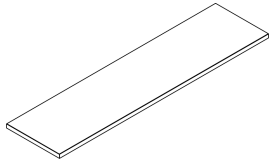
## Full Width Tops

### For Credenza or Worksurface Height Units

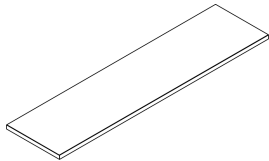
description	type	w	d	h	pattern no.	Laminate (L)	M/V1 (V)	V2 (V)	V3 (V)
Full Width Antenna Tops for Template, Single Unit Cases	24"W unit	24"	15"	1 1/4"	<b>YTT24</b>	\$184.	\$338.	\$390.	\$527.
	30"W unit	30"	15"	1 1/4"	<b>YTT30</b>	196.	359.	411.	553.
	36"W unit	36"	15"	1 1/4"	<b>YTT36</b>	219.	375.	432.	585.
	42"W unit	42"	15"	1 1/4"	<b>YTT42</b>	255.	396.	457.	617.
	48"W unit	48"	15"	1 1/4"	<b>YTT48</b>	283.	411.	472.	636.



Full Width Antenna Tops for Template, Double Unit Cases	48"W unit	47"	15"	1 1/4"	<b>YTT47</b>	283.	411.	472.	636.
	54"W unit	53"	15"	1 1/4"	<b>YTT53</b>	300.	453.	519.	701.
	60"W unit	59"	15"	1 1/4"	<b>YTT59</b>	327.	471.	541.	733.
	66"W unit	65"	15"	1 1/4"	<b>YTT65</b>	352.	492.	567.	762.
	72"W unit	71"	15"	1 1/4"	<b>YTT71</b>	371.	511.	588.	795.
	78"W unit	77"	15"	1 1/4"	<b>YTT77</b>	400.	537.	618.	833.
	84"W unit	83"	15"	1 1/4"	<b>YTT83</b>	420.	562.	646.	872.
	90"W unit	89"	15"	1 1/4"	<b>YTT89</b>	467.	583.	670.	903.
	96"W unit	95"	15"	1 1/4"	<b>YTT95</b>	518.	601.	692.	934.



Full Width Antenna Tops for Template, Triple Unit Cases	72"W unit	70"	15"	1 1/4"	<b>YTT70</b>	371.	511.	588.	795.
	78"W unit	76"	15"	1 1/4"	<b>YTT76</b>	400.	537.	618.	833.
	84"W unit	82"	15"	1 1/4"	<b>YTT82</b>	420.	562.	646.	872.
	90"W unit	88"	15"	1 1/4"	<b>YTT88</b>	467.	583.	670.	903.
	96"W unit	94"	15"	1 1/4"	<b>YTT94</b>	518.	601.	692.	934.



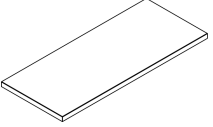
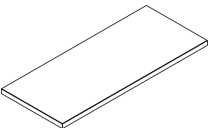
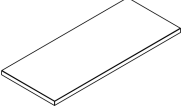
Tops

Ordering Information	Order Code	Included With	Options
<b>Antenna Tops for Template</b> 1. Pattern Number 2. Top Finish 3. Edge Finish (for laminate tops only)	<b>Antenna Tops for Template</b> <i>Example: YTT36L, 118, 118</i> <b>YTT</b> Template Tops <b>36</b> Width <b>L</b> Laminate <b>118</b> Bright White Top <b>118</b> Bright White Edge	<b>Antenna Tops for Template</b>	<b>Antenna Tops for Template</b> <b>Top Finish Options:</b> Add an (L) for laminate, (M) for laminate with wood edge or (V) for veneer suffix to pattern number.

# Antenna Tops and Worksurface Shelves for Template

## *End and Mid Position Tops*

### *For Credenza or Worksurface Height Units*

description	type	w	d	h	pattern no.	Laminate (L)	M/V1 (V)	V2 (V)	V3 (V)
End Position Antenna Tops for Single Template Units 	18"W unit	17 1/2"	15"	1 1/4"	<b>YTTE18</b>	\$175.	\$321.	\$367.	\$496.
	24"W unit	23 1/2"	15"	1 1/4"	<b>YTTE24</b>	184.	338.	390.	527.
	30"W unit	29 1/2"	15"	1 1/4"	<b>YTTE30</b>	196.	359.	411.	553.
	36"W unit	35 1/2"	15"	1 1/4"	<b>YTTE36</b>	219.	375.	432.	585.
	42"W unit	41 1/2"	15"	1 1/4"	<b>YTTE42</b>	255.	396.	457.	617.
	48"W unit	47 1/2"	15"	1 1/4"	<b>YTTE48</b>	283.	411.	472.	636.
	72"W unit	70 1/2"	15"	1 1/4"	<b>YTTE72</b>	371.	511.	588.	795.
End Position Antenna Tops for Multiple Template Units 	(2) 30"W units	58 1/2"	15"	1 1/4"	<b>YTTE60</b>	327.	471.	541.	733.
	30"W + 36"W units	64 1/2"	15"	1 1/4"	<b>YTTE66</b>	352.	492.	567.	762.
	36"W + 42"W units	76 1/2"	15"	1 1/4"	<b>YTTE78</b>	400.	537.	618.	833.
	(2) 42"W units	82 1/2"	15"	1 1/4"	<b>YTTE84</b>	420.	562.	646.	872.
	(3) 30"W units	85 1/2"	15"	1 1/4"	<b>YTTE87</b>	444.	573.	658.	889.
	42"W + 48"W units	88 1/2"	15"	1 1/4"	<b>YTTE90</b>	467.	583.	670.	903.
	(2) 48"W units	94 1/2"	15"	1 1/4"	<b>YTTE96</b>	518.	601.	692.	934.
Mid Position Antenna Tops for Template 	24"W unit	23"	15"	1 1/4"	<b>YTTM23</b>	184.	338.	390.	527.
	30"W unit	29"	15"	1 1/4"	<b>YTTM29</b>	196.	359.	411.	553.
	36"W unit	35"	15"	1 1/4"	<b>YTTM35</b>	219.	375.	432.	585.
	42"W unit	41"	15"	1 1/4"	<b>YTTM41</b>	255.	396.	457.	617.
	48"W unit	47"	15"	1 1/4"	<b>YTTM47</b>	283.	411.	472.	636.

**Ordering Information**

**Antenna Tops for Template**

1. Pattern Number
2. Top Finish
3. Edge Finish  
(for laminate tops only)

**Order Code**

**Antenna Tops for Template**

*Example:* **YTTE36L, 118, 118**

<b>YTTE</b>	Template Tops
<b>36</b>	Width
<b>L</b>	Laminate
<b>118</b>	Bright White Top
<b>118</b>	Bright White Edge

**Included With**

**Antenna Tops for Template**

**Options**

**Antenna Tops for Template**

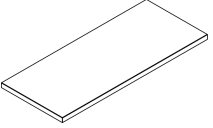
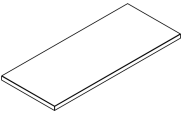
**Top Finish Options:**

Add an (L) for laminate, (M) for laminate with wood edge or (V) for veneer suffix to pattern number.

# Antenna Tops and Worksurface Shelves for Template

## Worksurface Shelves

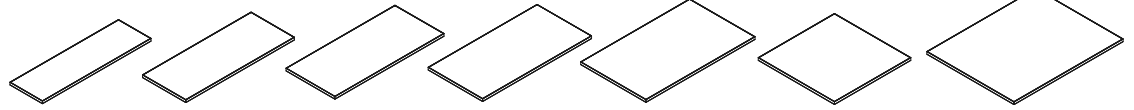
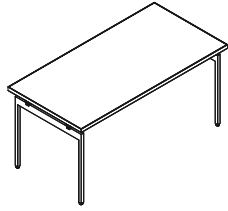
### Single and Dual Sided

description	type	w	d	h	pattern no.	Laminate (L)	M/V1 (V)	V2 (V)	V3 (V)
Antenna Worksurface Shelves for Template, Single-Sided 	18"W unit	16"	14"	1 1/4"	<b>YTWSHK118</b>	\$252.	\$408.	\$468.	\$632.
	24"W unit	22"	14"	1 1/4"	<b>YTWSHK124</b>	260.	427.	490.	662.
	30"W unit	28"	14"	1 1/4"	<b>YTWSHK130</b>	269.	445.	511.	691.
	36"W unit	34"	14"	1 1/4"	<b>YTWSHK136</b>	295.	464.	535.	721.
	42"W unit	40"	14"	1 1/4"	<b>YTWSHK142</b>	330.	485.	555.	752.
	48"W unit	46"	14"	1 1/4"	<b>YTWSHK148</b>	359.	499.	576.	775.
	60"W unit	57"	14"	1 1/4"	<b>YTWSHK160</b>	404.	585.	672.	906.
	72"W unit	69"	14"	1 1/4"	<b>YTWSHK172</b>	448.	598.	690.	931.
Antenna Worksurface Shelves for Template, Dual-Sided 	18"W unit	16"	15"	1 1/4"	<b>YTWSHK218</b>	252.	408.	468.	632.
	24"W unit	22"	15"	1 1/4"	<b>YTWSHK224</b>	260.	427.	490.	662.
	30"W unit	28"	15"	1 1/4"	<b>YTWSHK230</b>	269.	445.	511.	691.
	36"W unit	34"	15"	1 1/4"	<b>YTWSHK236</b>	295.	464.	535.	721.
	42"W unit	40"	15"	1 1/4"	<b>YTWSHK242</b>	330.	485.	555.	752.
	48"W unit	46"	15"	1 1/4"	<b>YTWSHK248</b>	359.	499.	576.	775.
	72"W unit	57"	15"	1 1/4"	<b>YTWSHK260</b>	404.	585.	672.	906.
	72"W unit	69"	15"	1 1/4"	<b>YTWSHK272</b>	448.	598.	690.	931.

Tops

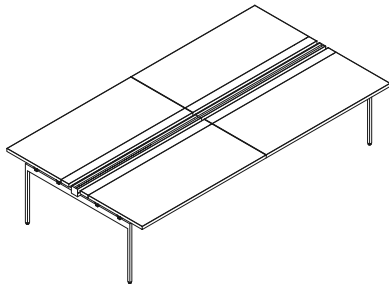
Ordering Information	Order Code	Included With	Options
<b>Antenna Tops for Template</b> 1. Pattern Number 2. Top Finish 3. Edge Finish (for laminate tops only)	<b>Antenna Tops for Template</b> <i>Example:</i> <b>YTWSHK136L, 118, 118</b> <b>YTWSHK</b> Worksurface Shelf <b>36</b> Width <b>L</b> Laminate <b>118</b> Bright White Top <b>118</b> Bright White Edge	<b>Antenna Tops for Template</b>	<b>Antenna Tops for Template</b> <b>Top Finish Options:</b> Add an (L) for laminate, (M) for laminate with wood edge or (V) for veneer suffix to pattern number.

**Rectangular Tops for Desks**



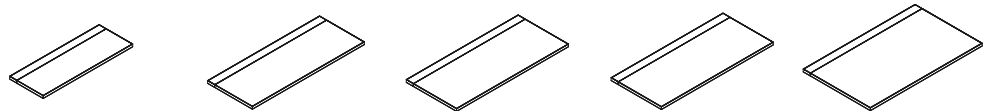
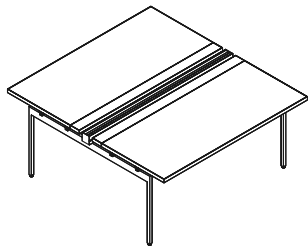
18" Deep 30" - 96" Wide	24" Deep 30" - 96" Wide	27" Deep 30" - 96" Wide	30" Deep 30" - 96" Wide	36" Deep 30" - 96" Wide	42" Deep 42" and 84" Wide	48" Deep 30" - 96" Wide
----------------------------	----------------------------	----------------------------	----------------------------	----------------------------	------------------------------	----------------------------

**Rectangular Benching Tops for Desks or Big Tables**



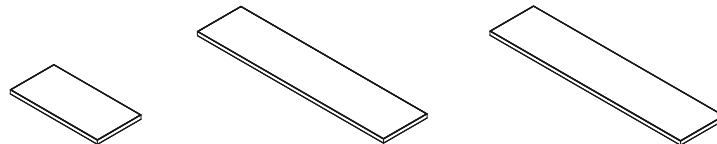
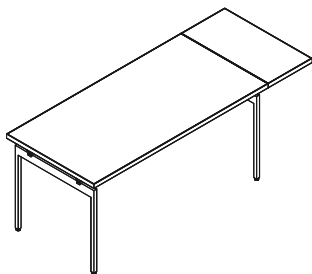
18" Deep 30" - 96" Wide	24" Deep 30" - 96" Wide	27" Deep 30" - 96" Wide	30" Deep 30" - 96" Wide	36" Deep 30" - 96" Wide
----------------------------	----------------------------	----------------------------	----------------------------	----------------------------

**Rectangular with Hinged Access Tops for Big Tables**



18" Deep 48" - 84" Wide	24" Deep 48" - 84" Wide	27" Deep 48" - 84" Wide	30" Deep 48" - 84" Wide	36" Deep 48" - 84" Wide
----------------------------	----------------------------	----------------------------	----------------------------	----------------------------

**Extension Tops for Desks or Big Tables**



For Use With 24", 27", 30" or 36" Deep Desk Tops	For Use With 18", 24", 27", 30" or 36" Back to Back Desk Tops	For Use With 18", 24", 27", 30" or 36" Deep Dual Big Table Tops
--	---	---

Overlay tops are designed in rectangular shapes, with specific details optimized for desks, tables, benching or big table applications. The laminate or veneer top surface of overlay tops covers the entire surface, overlapping solid veneer edges with a generous bottom edge radius.

Overlay tops for most desk and table applications are full dimension, 18", 24", 27", 30", 36", 42" and 48" depths, and available in every 6" increment of width from 30"-96". 18" deep tops are for return or bridge applications. Overlay tops can be planned as tables, desks, returns, or bridges.

For benching and desks planned end to end and big table applications, overlay benching tops are available 24", 27" and 30" deep and in widths from 48"-84". Overlay benching tops have rectangular corners optimized for end-to-end planning.

For big table applications, overlay tops with hinged access include a full width 3 3/4" deep hinged section for easy access to outlets and wire management below the center beam. Hinged access overlay tops are available in 24", 27" and 30" overall depths and widths from 48"-84" in 6" increments.

Extension tops plan at the end of a desk, back to back desk or big table. Overlay extension tops are 15" wide and match desks 24", 27", 30" or 36" deep. Extension tops for back to back desks are 15" wide and match tops 18", 24", 27", 30" or 36" deep with overall depths of 39 3/4", 51 3/4", 57 3/4", 63 3/4" or 75 3/4". Overlay extension tops for big tables are 15" or 18" wide and match overall big table depths of 53 1/2", 59 1/2" and 65 1/2". Extension tops can be planned in the same or contrasting surface finish as adjacent laminate or veneer tops. Desk and big table connector kits and rails 12" wider than adjacent top are needed for 15" wide extension top, or 15" wider for 18" wide extension top.

**Construction**

Overlay tops are nominal 1 3/16" thick with a laminate or veneer surface finish.

Laminate tops have a solid core laminate or veneer top surface, an FSC-certified particle board core and a neutral tone backer sheet for balanced construction. Solid core laminates have integral color throughout the thickness of the laminate. Edges are solid 12.7mm veneer with a 0.6mm top radius and 9mm bottom radius. Outside corners of Overlay tops have an 8mm radius, except for crisp 0.6mm corners on benching tops, big table tops and on the inside corners of extension tops.

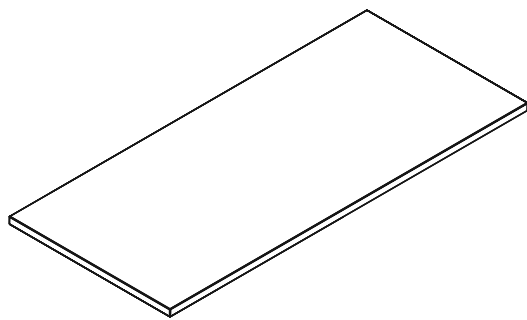
Techwood and natural veneer tops have a veneer top surface, an FSC-certified particle board core and a neutral tone backer sheet for balanced construction. Edges are solid 12.7mm veneer with a 0.6mm top radius and 9mm bottom radius. Bottom radius is only 2.4mm on ends of benching, big table tops, and inside edge of extension tops. Outside corners of Overlay tops have an 8mm radius, except for crisp 0.6mm corners on benching tops, big table tops and inside corners of extension tops.

Veneer grain direction is parallel to front edge on desk tops and parallel to the end on extension tops.

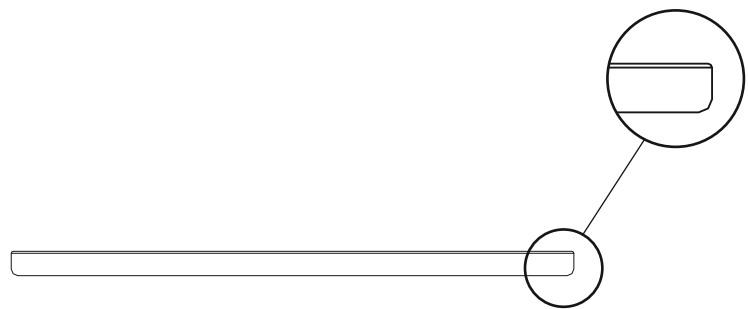
All tops have pilot holes for the most common mounting conditions for desk legs and return connections: legs inset 1 1/2" or 5 1/2" from the both ends of top.

**Specifications Options**

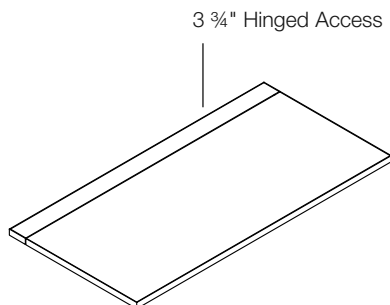
Top surface is available in a limited range of solid core laminates or in any Knoll core veneer. For both solid core laminate and veneer, specify edgeband in any Knoll core veneer.



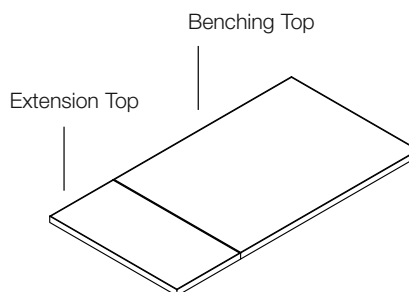
Overlay Top



Overlay Top Edge Elevation





Overlay Hinged Access Top



Overlay Benching Top with Extension Top



# Overlay Tops for Desks 18" and 24" Deep Rectangular

description	w	d	h	pattern no.	Color Core Laminate (C)	V1 (V)	V2 (V)	V3 (V)
Overlay Desk Tops, 18" Deep Rectangular 	30"	18"	1 1/4"	<b>YP3018</b>	\$1,071.	\$1,048.	\$1,114.	\$1,174.
	36"	18"	1 1/4"	<b>YP3618</b>	1,122.	1,068.	1,138.	1,217.
	42"	18"	1 1/4"	<b>YP4218</b>	1,176.	1,089.	1,168.	1,260.
	48"	18"	1 1/4"	<b>YP4818</b>	1,241.	1,121.	1,210.	1,313.
	54"	18"	1 1/4"	<b>YP5418</b>	1,291.	1,137.	1,237.	1,355.
	60"	18"	1 1/4"	<b>YP6018</b>	1,397.	1,219.	1,325.	1,454.
	66"	18"	1 1/4"	<b>YP6618</b>	1,462.	1,250.	1,363.	1,505.
	72"	18"	1 1/4"	<b>YP7218</b>	1,510.	1,268.	1,390.	1,549.
	78"	18"	1 1/4"	<b>YP7818</b>	1,568.	1,290.	1,419.	1,589.
	84"	18"	1 1/4"	<b>YP8418</b>	1,631.	1,320.	1,458.	1,641.
	90"	18"	1 1/4"	<b>YP9018</b>	1,682.	1,339.	1,486.	1,683.
96"	18"	1 1/4"	<b>YP9618</b>	1,746.	1,370.	1,524.	1,735.	
Overlay Desk Tops, 24" Deep Rectangular 	30"	24"	1 1/4"	<b>YP3024</b>	1,141.	1,070.	1,145.	1,231.
	36"	24"	1 1/4"	<b>YP3624</b>	1,223.	1,103.	1,189.	1,292.
	42"	24"	1 1/4"	<b>YP4224</b>	1,291.	1,127.	1,221.	1,346.
	48"	24"	1 1/4"	<b>YP4824</b>	1,358.	1,152.	1,255.	1,396.
	54"	24"	1 1/4"	<b>YP5424</b>	1,432.	1,181.	1,295.	1,457.
	60"	24"	1 1/4"	<b>YP6024</b>	1,552.	1,267.	1,390.	1,572.
	66"	24"	1 1/4"	<b>YP6624</b>	1,626.	1,300.	1,432.	1,631.
	72"	24"	1 1/4"	<b>YP7224</b>	1,700.	1,325.	1,467.	1,686.
	78"	24"	1 1/4"	<b>YP7824</b>	1,774.	1,357.	1,508.	1,746.
	84"	24"	1 1/4"	<b>YP8424</b>	1,842.	1,380.	1,542.	1,798.
	90"	24"	1 1/4"	<b>YP9024</b>	1,952.	1,453.	1,627.	1,899.
96"	24"	1 1/4"	<b>YP9624</b>	2,016.	1,479.	1,660.	1,955.	

### Ordering Information

#### Overlay Desk Tops

1. Pattern Number
2. Top Finish
3. Edge Finish (for laminate tops only)

### Order Code

#### Overlay Desk Tops

*Example:* **YP7824C, 311, V440**

<b>YT</b>	Table
<b>78</b>	Width
<b>24</b>	Depth
<b>C</b>	Color Core Laminate
<b>311</b>	Solid Gallery White Top
<b>V440</b>	Natural Hemlock Edge

### Included With

#### Overlay Desk Tops



### Options

#### Overlay Desk Tops

#### Top Finish Options:

Add a (C) for color core laminate or (V) for veneer suffix to pattern number.

# Overlay Tops for Desks 27" and 30" Deep Rectangular

description	w	d	h	pattern no.	Color Core Laminate (C)	V1 (V)	V2 (V)	V3 (V)
Overlay Desk Tops, 27" Deep Rectangular 	30"	27"	1 1/4"	<b>YP3027</b>	\$1,208.	\$1,106.	\$1,189.	\$1,286.
	36"	27"	1 1/4"	<b>YP3627</b>	1,282.	1,132.	1,222.	1,343.
	42"	27"	1 1/4"	<b>YP4227</b>	1,382.	1,185.	1,287.	1,428.
	48"	27"	1 1/4"	<b>YP4827</b>	1,463.	1,218.	1,332.	1,492.
	54"	27"	1 1/4"	<b>YP5427</b>	1,535.	1,244.	1,368.	1,551.
	60"	27"	1 1/4"	<b>YP6027</b>	1,649.	1,313.	1,446.	1,652.
	66"	27"	1 1/4"	<b>YP6627</b>	1,720.	1,337.	1,482.	1,705.
	72"	27"	1 1/4"	<b>YP7227</b>	1,800.	1,362.	1,516.	1,762.
	78"	27"	1 1/4"	<b>YP7827</b>	1,881.	1,395.	1,561.	1,831.
	84"	27"	1 1/4"	<b>YP8427</b>	1,961.	1,422.	1,598.	1,890.
	90"	27"	1 1/4"	<b>YP9027</b>	2,063.	1,484.	1,669.	1,980.
	96"	27"	1 1/4"	<b>YP9627</b>	2,136.	1,507.	1,705.	2,039.
Overlay Desk Tops, 30" Deep Rectangular 	30"	30"	1 1/4"	<b>YP3030</b>	1,247.	1,122.	1,207.	1,318.
	36"	30"	1 1/4"	<b>YP3630</b>	1,341.	1,162.	1,260.	1,393.
	42"	30"	1 1/4"	<b>YP4230</b>	1,428.	1,198.	1,305.	1,465.
	48"	30"	1 1/4"	<b>YP4830</b>	1,513.	1,222.	1,343.	1,525.
	54"	30"	1 1/4"	<b>YP5430</b>	1,605.	1,260.	1,390.	1,596.
	60"	30"	1 1/4"	<b>YP6030</b>	1,711.	1,320.	1,463.	1,690.
	66"	30"	1 1/4"	<b>YP6630</b>	1,802.	1,356.	1,509.	1,761.
	72"	30"	1 1/4"	<b>YP7230</b>	1,888.	1,382.	1,550.	1,825.
	78"	30"	1 1/4"	<b>YP7830</b>	1,973.	1,418.	1,596.	1,896.
	84"	30"	1 1/4"	<b>YP8430</b>	2,057.	1,445.	1,633.	1,959.
	90"	30"	1 1/4"	<b>YP9030</b>	2,188.	1,528.	1,728.	2,076.
	96"	30"	1 1/4"	<b>YP9630</b>	2,265.	1,553.	1,762.	2,138.

Tops

### Ordering Information

#### Overlay Desk Tops

1. Pattern Number
2. Top Finish
3. Edge Finish (for laminate tops only)

### Order Code

#### Overlay Desk Tops

*Example:* **YP7827C, 311, V440**

<b>YT</b>	Table
<b>78</b>	Width
<b>27</b>	Depth
<b>C</b>	Color Core Laminate
<b>311</b>	Solid Gallery White Top
<b>V440</b>	Natural Hemlock Edge

### Included With

#### Overlay Desk Tops

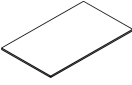
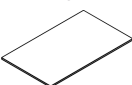
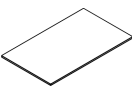
### Options

#### Overlay Desk Tops

**Top Finish Options:**  
Add a (C) for color core laminate or (V) for veneer suffix to pattern number.

# Overlay Tops for Desks

## 36", 42" and 48" Deep Rectangular

description	w	d	h	pattern no.	Color Core Laminate (C)	V1 (V)	V2 (V)	V3 (V)
Overlay Desk Tops, 36" Deep Rectangular 	30"	36"	1 1/4"	<b>YP3036</b>	\$1,341.	\$1,162.	\$1,260.	\$1,393.
	36"	36"	1 1/4"	<b>YP3636</b>	1,446.	1,201.	1,311.	1,473.
	42"	36"	1 1/4"	<b>YP4236</b>	1,541.	1,228.	1,354.	1,543.
	48"	36"	1 1/4"	<b>YP4836</b>	1,646.	1,268.	1,407.	1,627.
	54"	36"	1 1/4"	<b>YP5436</b>	1,749.	1,307.	1,458.	1,707.
	60"	36"	1 1/4"	<b>YP6036</b>	1,878.	1,372.	1,535.	1,816.
	66"	36"	1 1/4"	<b>YP6636</b>	1,979.	1,413.	1,587.	1,895.
	72"	36"	1 1/4"	<b>YP7236</b>	2,077.	1,438.	1,630.	1,967.
	78"	36"	1 1/4"	<b>YP7836</b>	2,172.	1,469.	1,674.	2,039.
	84"	36"	1 1/4"	<b>YP8436</b>	2,269.	1,499.	1,716.	2,113.
	90"	36"	1 1/4"	<b>YP9036</b>	2,396.	1,571.	1,799.	2,223.
	96"	36"	1 1/4"	<b>YP9636</b>	2,500.	1,600.	1,844.	2,296.
Overlay Desk Tops, 42" Deep Rectangular 	42"	42"	1 1/4"	<b>YP4242</b>	1,665.	1,281.	1,418.	1,642.
	84"	42"	1 1/4"	<b>YP8442</b>	2,500.	1,555.	1,799.	2,264.
Overlay Desk Tops, 48" Deep Rectangular 	30"	48"	1 1/4"	<b>YP3048</b>	1,525.	1,237.	1,357.	1,537.
	36"	48"	1 1/4"	<b>YP3648</b>	1,656.	1,284.	1,420.	1,639.
	42"	48"	1 1/4"	<b>YP4248</b>	1,788.	1,329.	1,482.	1,743.
	48"	48"	1 1/4"	<b>YP4848</b>	1,943.	1,361.	1,532.	1,831.
	54"	48"	1 1/4"	<b>YP5448</b>	2,067.	1,395.	1,582.	1,921.
	60"	48"	1 1/4"	<b>YP6048</b>	2,227.	1,466.	1,670.	2,048.
	66"	48"	1 1/4"	<b>YP6648</b>	2,352.	1,501.	1,720.	2,139.
	72"	48"	1 1/4"	<b>YP7248</b>	2,477.	1,537.	1,775.	2,232.
	78"	48"	1 1/4"	<b>YP7848</b>	2,598.	1,573.	1,827.	2,323.
	84"	48"	1 1/4"	<b>YP8448</b>	2,729.	1,611.	1,881.	2,417.
	90"	48"	1 1/4"	<b>YP9048</b>	2,886.	1,687.	1,973.	2,549.
	96"	48"	1 1/4"	<b>YP9648</b>	3,013.	1,721.	2,028.	2,644.

### Ordering Information

#### Overlay Desk Tops

1. Pattern Number
2. Top Finish
3. Edge Finish (for laminate tops only)

### Order Code

#### Overlay Desk Tops

*Example: YP7836C, 311, V440*

<b>YT</b>	Table
<b>78</b>	Width
<b>36</b>	Depth
<b>C</b>	Color Core Laminate
<b>311</b>	Solid Gallery White Top
<b>V440</b>	Natural Hemlock Edge

### Included With

#### Overlay Desk Tops

### Options

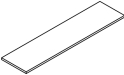


#### Overlay Desk Tops

#### Top Finish Options:

Add a (C) for color core laminate or (V) for veneer suffix to pattern number.

# Overlay Benching Tops for Desks and Big Tables

## 18", 24" and 27" Deep Rectangular

description	w	d	h	pattern no.	Color Core Laminate (C)	V1 (V)	V2 (V)	V3 (V)
Overlay Benching Tops, 18" Deep Rectangular 	30"	18"	1 1/4"	<b>YPB3018</b>	\$1,095.	\$852.	\$980.	\$1,174.
	36"	18"	1 1/4"	<b>YPB3618</b>	1,146.	883.	1,016.	1,218.
	42"	18"	1 1/4"	<b>YPB4218</b>	1,180.	914.	1,051.	1,262.
	48"	18"	1 1/4"	<b>YPB4818</b>	1,217.	940.	1,080.	1,295.
	54"	18"	1 1/4"	<b>YPB5418</b>	1,280.	961.	1,106.	1,329.
	60"	18"	1 1/4"	<b>YPB6018</b>	1,339.	1,035.	1,192.	1,429.
	66"	18"	1 1/4"	<b>YPB6618</b>	1,430.	1,068.	1,226.	1,473.
	72"	18"	1 1/4"	<b>YPB7218</b>	1,524.	1,092.	1,256.	1,505.
	78"	18"	1 1/4"	<b>YPB7818</b>	1,613.	1,117.	1,283.	1,538.
	84"	18"	1 1/4"	<b>YPB8418</b>	1,704.	1,149.	1,318.	1,582.
	90"	18"	1 1/4"	<b>YPB9018</b>	1,764.	1,189.	1,364.	1,637.
	96"	18"	1 1/4"	<b>YPB9618</b>	1,826.	1,217.	1,400.	1,681.
Overlay Benching Tops, 24" Deep Rectangular 	30"	24"	1 1/4"	<b>YPB3024</b>	1,045.	958.	1,025.	1,161.
	36"	24"	1 1/4"	<b>YPB3624</b>	1,127.	995.	1,069.	1,221.
	42"	24"	1 1/4"	<b>YPB4224</b>	1,196.	1,017.	1,101.	1,276.
	48"	24"	1 1/4"	<b>YPB4824</b>	1,262.	1,041.	1,134.	1,326.
	54"	24"	1 1/4"	<b>YPB5424</b>	1,337.	1,072.	1,174.	1,384.
	60"	24"	1 1/4"	<b>YPB6024</b>	1,453.	1,159.	1,271.	1,499.
	66"	24"	1 1/4"	<b>YPB6624</b>	1,530.	1,191.	1,313.	1,559.
	72"	24"	1 1/4"	<b>YPB7224</b>	1,601.	1,214.	1,347.	1,614.
	78"	24"	1 1/4"	<b>YPB7824</b>	1,677.	1,247.	1,389.	1,675.
	84"	24"	1 1/4"	<b>YPB8424</b>	1,746.	1,270.	1,423.	1,728.
	90"	24"	1 1/4"	<b>YPB9024</b>	1,852.	1,344.	1,505.	1,828.
	96"	24"	1 1/4"	<b>YPB9624</b>	1,920.	1,368.	1,539.	1,882.
Overlay Benching Tops, 27" Deep Rectangular 	30"	27"	1 1/4"	<b>YPB3027</b>	1,105.	994.	1,063.	1,214.
	36"	27"	1 1/4"	<b>YPB3627</b>	1,202.	1,046.	1,126.	1,298.
	42"	27"	1 1/4"	<b>YPB4227</b>	1,282.	1,071.	1,163.	1,357.
	48"	27"	1 1/4"	<b>YPB4827</b>	1,361.	1,104.	1,207.	1,421.
	54"	27"	1 1/4"	<b>YPB5427</b>	1,432.	1,129.	1,241.	1,480.
	60"	27"	1 1/4"	<b>YPB6027</b>	1,549.	1,200.	1,323.	1,580.
	66"	27"	1 1/4"	<b>YPB6627</b>	1,621.	1,222.	1,356.	1,633.
	72"	27"	1 1/4"	<b>YPB7227</b>	1,700.	1,248.	1,391.	1,695.
	78"	27"	1 1/4"	<b>YPB7827</b>	1,781.	1,283.	1,436.	1,758.
	84"	27"	1 1/4"	<b>YPB8427</b>	1,857.	1,307.	1,473.	1,818.
	90"	27"	1 1/4"	<b>YPB9027</b>	1,962.	1,370.	1,544.	1,909.
	96"	27"	1 1/4"	<b>YPB9627</b>	2,034.	1,392.	1,580.	1,966.

### Ordering Information

#### Overlay Benching Tops

1. Pattern Number
2. Top Finish
3. Edge Finish (for laminate tops only)

### Order Code

#### Overlay Benching Tops

*Example:* **YPB7824C, 311, V440**

<b>YPB</b>	Table
<b>78</b>	Width
<b>24</b>	Depth
<b>C</b>	Color Core Laminate
<b>311</b>	Solid Gallery White Top
<b>V440</b>	Natural Hemlock Edge

### Included With

#### Overlay Benching Tops

### Options

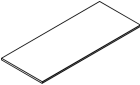
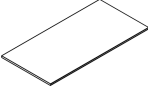
#### Overlay Benching Tops

#### Top Finish Options:

Add a (C) for color core laminate or (V) for veneer suffix to pattern number.

# Overlay Benching Tops for Desks and Big Tables

## 30" and 36" Deep Rectangular

description	w	d	h	pattern no.	Color Core Laminate (C)	V1 (V)	V2 (V)	V3 (V)
Overlay Benching Tops, 30" Deep Rectangular 	30"	30"	1 1/4"	<b>YPB3030</b>	\$1,139.	\$1,003.	\$1,078.	\$1,245.
	36"	30"	1 1/4"	<b>YPB3630</b>	1,237.	1,044.	1,128.	1,323.
	42"	30"	1 1/4"	<b>YPB4230</b>	1,324.	1,079.	1,174.	1,392.
	48"	30"	1 1/4"	<b>YPB4830</b>	1,408.	1,104.	1,213.	1,452.
	54"	30"	1 1/4"	<b>YPB5430</b>	1,499.	1,139.	1,261.	1,525.
	60"	30"	1 1/4"	<b>YPB6030</b>	1,605.	1,202.	1,333.	1,620.
	66"	30"	1 1/4"	<b>YPB6630</b>	1,699.	1,237.	1,380.	1,690.
	72"	30"	1 1/4"	<b>YPB7230</b>	1,783.	1,264.	1,419.	1,753.
	78"	30"	1 1/4"	<b>YPB7830</b>	1,869.	1,298.	1,465.	1,824.
	84"	30"	1 1/4"	<b>YPB8430</b>	1,954.	1,326.	1,503.	1,886.
	90"	30"	1 1/4"	<b>YPB9030</b>	2,082.	1,410.	1,597.	2,004.
96"	30"	1 1/4"	<b>YPB9630</b>	2,161.	1,432.	1,633.	2,066.	
Overlay Benching Tops, 36" Deep Rectangular 	30"	36"	1 1/4"	<b>YPB3036</b>	1,226.	1,035.	1,120.	1,321.
	36"	36"	1 1/4"	<b>YPB3636</b>	1,333.	1,073.	1,169.	1,401.
	42"	36"	1 1/4"	<b>YPB4236</b>	1,427.	1,101.	1,212.	1,470.
	48"	36"	1 1/4"	<b>YPB4836</b>	1,531.	1,141.	1,265.	1,554.
	54"	36"	1 1/4"	<b>YPB5436</b>	1,633.	1,180.	1,317.	1,633.
	60"	36"	1 1/4"	<b>YPB6036</b>	1,761.	1,245.	1,393.	1,744.
	66"	36"	1 1/4"	<b>YPB6636</b>	1,867.	1,285.	1,446.	1,823.
	72"	36"	1 1/4"	<b>YPB7236</b>	1,963.	1,314.	1,490.	1,895.
	78"	36"	1 1/4"	<b>YPB7836</b>	2,057.	1,343.	1,533.	1,965.
	84"	36"	1 1/4"	<b>YPB8436</b>	2,154.	1,373.	1,576.	2,040.
	90"	36"	1 1/4"	<b>YPB9036</b>	2,285.	1,444.	1,660.	2,151.
96"	36"	1 1/4"	<b>YPB9636</b>	2,383.	1,476.	1,703.	2,224.	

### Ordering Information

#### Overlay Benching Tops

1. Pattern Number
2. Top Finish
3. Edge Finish  
(for laminate tops only)

### Order Code

#### Overlay Benching Tops

*Example:* **YPB7830C, 311, V440**

<b>YPB</b>	Table
<b>78</b>	Width
<b>30</b>	Depth
<b>C</b>	Color Core Laminate
<b>311</b>	Solid Gallery White Top
<b>V440</b>	Natural Hemlock Edge

### Included With

#### Overlay Benching Tops

### Options

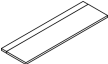
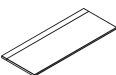
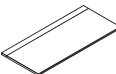
#### Overlay Benching Tops

##### Top Finish Options:

Add a (C) for color core laminate or (V) for veneer suffix to pattern number.

# Overlay Hinged Access Tops for Big Tables

## 18", 24" and 27" Deep Rectangular

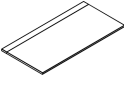
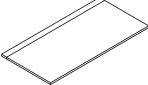
description	w	d	h	pattern no.	Color Core Laminate (C)	V1 (V)	V2 (V)	V3 (V)
Overlay Big Table Tops, 18" Deep Rectangular with Hinged Access 	48"	18"	1 1/4"	<b>YPH4818</b>	\$1,704.	\$1,304.	\$1,445.	\$1,661.
	54"	18"	1 1/4"	<b>YPH5418</b>	1,764.	1,328.	1,471.	1,695.
	60"	18"	1 1/4"	<b>YPH6018</b>	1,826.	1,400.	1,556.	1,795.
	66"	18"	1 1/4"	<b>YPH6618</b>	1,918.	1,432.	1,593.	1,839.
	72"	18"	1 1/4"	<b>YPH7218</b>	2,010.	1,458.	1,621.	1,871.
	78"	18"	1 1/4"	<b>YPH7818</b>	2,100.	1,482.	1,648.	1,903.
	84"	18"	1 1/4"	<b>YPH8418</b>	2,191.	1,513.	1,684.	1,948.
Overlay Big Table Tops, 24" Deep Rectangular with Hinged Access 	48"	24"	1 1/4"	<b>YPH4824</b>	1,765.	1,425.	1,507.	1,750.
	54"	24"	1 1/4"	<b>YPH5424</b>	1,846.	1,454.	1,544.	1,811.
	60"	24"	1 1/4"	<b>YPH6024</b>	1,979.	1,561.	1,660.	1,952.
	66"	24"	1 1/4"	<b>YPH6624</b>	2,052.	1,592.	1,700.	2,016.
	72"	24"	1 1/4"	<b>YPH7224</b>	2,161.	1,652.	1,767.	2,110.
	78"	24"	1 1/4"	<b>YPH7824</b>	2,248.	1,682.	1,805.	2,172.
	84"	24"	1 1/4"	<b>YPH8424</b>	2,317.	1,702.	1,834.	2,227.
Overlay Big Table Tops, 27" Deep Rectangular with Hinged Access 	48"	27"	1 1/4"	<b>YPH4827</b>	1,825.	1,463.	1,552.	1,818.
	54"	27"	1 1/4"	<b>YPH5427</b>	1,917.	1,484.	1,581.	1,875.
	60"	27"	1 1/4"	<b>YPH6027</b>	2,072.	1,601.	1,709.	2,030.
	66"	27"	1 1/4"	<b>YPH6627</b>	2,156.	1,624.	1,743.	2,090.
	72"	27"	1 1/4"	<b>YPH7227</b>	2,264.	1,686.	1,812.	2,188.
	78"	27"	1 1/4"	<b>YPH7827</b>	2,357.	1,716.	1,853.	2,257.
	84"	27"	1 1/4"	<b>YPH8427</b>	2,437.	1,739.	1,884.	2,315.

Tops

Ordering Information	Order Code	Included With	Options
<b>Overlay Big Table Tops</b> 1. Pattern Number 2. Top Finish 3. Edge Finish (for laminate tops only) 4. Paint Finish	<b>Overlay Big Table Tops</b> <i>Example:</i> <b>YPH7824C, 311, V440, 118T</b> <hr/> <b>YTH</b> Table <hr/> <b>78</b> Width <hr/> <b>24</b> Depth <hr/> <b>C</b> Color Core Laminate <hr/> <b>311</b> Solid Gallery White Top <hr/> <b>V440</b> Natural Hemlock Edge <hr/> <b>118T</b> Bright White Paint	<b>Overlay Big Table Tops</b>	<b>Overlay Big Table Tops</b> <b>Top Finish Options:</b> Add a (C) for color core laminate or (V) for veneer suffix to pattern number.

# Overlay Hinged Access Tops for Big Tables

## 30" and 36" Deep Rectangular

description	w	d	h	pattern no.	Color Core Laminate (C)	V1 (V)	V2 (V)	V3 (V)
Overlay Big Table Tops, 30" Deep Rectangular with Hinged Access 	48"	30"	1 1/4"	<b>YPH4830</b>	\$1,930.	\$1,503.	\$1,599.	\$1,890.
	54"	30"	1 1/4"	<b>YPH5430</b>	2,021.	1,536.	1,642.	1,964.
	60"	30"	1 1/4"	<b>YPH6030</b>	2,145.	1,605.	1,720.	2,074.
	66"	30"	1 1/4"	<b>YPH6630</b>	2,234.	1,637.	1,761.	2,152.
	72"	30"	1 1/4"	<b>YPH7230</b>	2,342.	1,702.	1,839.	2,248.
	78"	30"	1 1/4"	<b>YPH7830</b>	2,448.	1,728.	1,874.	2,303.
	84"	30"	1 1/4"	<b>YPH8430</b>	2,525.	1,757.	1,917.	2,387.
Overlay Big Table Tops, 36" Deep Rectangular with Hinged Access 	48"	36"	1 1/4"	<b>YPH4836</b>	2,047.	1,670.	1,808.	2,028.
	54"	36"	1 1/4"	<b>YPH5436</b>	2,151.	1,709.	1,858.	2,110.
	60"	36"	1 1/4"	<b>YPH6036</b>	2,281.	1,775.	1,938.	2,216.
	66"	36"	1 1/4"	<b>YPH6636</b>	2,381.	1,813.	1,990.	2,295.
	72"	36"	1 1/4"	<b>YPH7236</b>	2,480.	1,842.	2,031.	2,370.
	78"	36"	1 1/4"	<b>YPH7836</b>	2,575.	1,871.	2,075.	2,440.
	84"	36"	1 1/4"	<b>YPH8436</b>	2,670.	1,901.	2,118.	2,513.

### Ordering Information

#### Overlay Big Table Tops

1. Pattern Number
2. Top Finish
3. Edge Finish (for laminate tops only)
4. Paint Finish

### Order Code

#### Overlay Big Table Tops

*Example:* **YPH7830C, 311, V440, 118T**

<b>YTH</b>	Table
<b>78</b>	Width
<b>30</b>	Depth
<b>C</b>	Color Core Laminate
<b>311</b>	Solid Gallery White Top
<b>V440</b>	Natural Hemlock Edge
<b>118T</b>	Bright White Paint

### Included With

#### Overlay Big Table Tops





### Options

#### Overlay Big Table Tops

**Top Finish Options:**  
Add a (C) for color core laminate or (V) for veneer suffix to pattern number.

# Overlay Extension Tops for Desks and Big Tables

## 15" Wide and 18" Wide Rectangular

description	type	w	d	h	pattern no.	Color Core	V1	V2	V3
						Laminate (C)			
Overlay Desk Extension Tops, 15" Wide Rectangular 	For use with 24" deep desk tops	15"	24"	1 1/4"	<b>YPE1524</b>	\$1,042.	\$854.	\$902.	\$967.
	For use with 27" deep desk tops	15"	27"	1 1/4"	<b>YPE1527</b>	1,068.	863.	914.	989.
	For use with 30" deep desk tops	15"	30"	1 1/4"	<b>YPE1530</b>	1,096.	876.	927.	1,009.
	For use with 36" deep desk tops	15"	36"	1 1/4"	<b>YPE1536</b>	1,155.	890.	950.	1,048.
Overlay Back to Back Desk Extension Tops, 15" Wide Rectangular 	For use with 18" deep back to back tops	15"	39 3/4"	1 1/4"	<b>YPE1539</b>	1,198.	914.	973.	1,132.
	For use with 24" deep back to back tops	15"	51 3/4"	1 1/4"	<b>YPE1552</b>	1,328.	949.	1,025.	1,168.
	For use with 27" deep back to back tops	15"	57 3/4"	1 1/4"	<b>YPE1558</b>	1,381.	968.	1,050.	1,212.
	For use with 30" deep back to back tops	15"	63 3/4"	1 1/4"	<b>YPE1564</b>	1,429.	983.	1,071.	1,248.
	For use with 36" deep back to back tops	15"	75 3/4"	1 1/4"	<b>YPE1576</b>	1,462.	1,009.	1,088.	1,280.
Overlay Dual Sided Big Table Extension Tops, 15" Wide Rectangular 	For use with 18" deep dual big table tops	15"	41 1/2"	1 1/4"	<b>YPE1541</b>	1,198.	914.	973.	1,132.
	For use with 24" deep dual big table tops	15"	53 1/2"	1 1/4"	<b>YPE1553</b>	1,328.	949.	1,025.	1,168.
	For use with 27" deep dual big table tops	15"	59 1/2"	1 1/4"	<b>YPE1559</b>	1,381.	968.	1,050.	1,212.
	For use with 30" deep dual big table tops	15"	65 1/2"	1 1/4"	<b>YPE1565</b>	1,429.	983.	1,071.	1,248.
	For use with 36" deep dual big table tops	15"	77 1/2"	1 1/4"	<b>YPE1577</b>	1,462.	1,009.	1,088.	1,280.
Overlay Dual Sided Big Table Extension Tops, 18" Wide Rectangular 	For use with 18" deep dual big table tops	18"	41 1/2"	1 1/4"	<b>YPE1841</b>	1,437.	1,101.	1,170.	1,362.
	For use with 24" deep dual big table tops	18"	53 1/2"	1 1/4"	<b>YPE1853</b>	1,595.	1,135.	1,229.	1,402.
	For use with 27" deep dual big table tops	18"	59 1/2"	1 1/4"	<b>YPE1859</b>	1,659.	1,160.	1,259.	1,454.
	For use with 30" deep dual big table tops	18"	65 1/2"	1 1/4"	<b>YPE1865</b>	1,715.	1,181.	1,276.	1,495.
	For use with 36" deep dual big table tops	18"	77 1/2"	1 1/4"	<b>YPE1877</b>	1,751.	1,212.	1,304.	1,536.

Tops

### Ordering Information

#### Overlay Extension Tops

1. Pattern Number
2. Top Finish
3. Edge Finish  
(for laminate tops only)

### Order Code

#### Overlay Extension Tops

*Example:* **YPE1559C, 311, V440**

<b>YP</b>	Table
<b>E</b>	Extension
<b>78</b>	Width
<b>30</b>	Depth
<b>C</b>	Color Core Laminate
<b>311</b>	Solid Gallery White Top
<b>V440</b>	Natural Hemlock Edge

### Included With

#### Overlay Extension Tops

### Options

#### Overlay Extension Tops

#### Top Finish Options:

Add a (C) for color core laminate or (V) for veneer suffix to pattern number.



Antenna desks, returns, bridges and tables have a simple structure: tops are supported by a combination of rails and legs. All can be specified as complete kits or by combining a few basic components.

### Desks and Tables

Desks are assembled from a top, starter rails and two corresponding depth desk end legs. Starter rails are inset 1 1/2" from each end of the top and end legs are inset 1 1/2" from front and back edges of top. Desk end legs are an inverted U-shape that connects to the underside of the rails at any point within stability guidelines.

Desks can be assembled with tops up to 48" deep, starter rails and desk end legs. Desk end legs are different from table desk end legs, which are used for stand-alone tables.

Unlike desk end legs that attach to the underside of rails, table desk end legs capture the end of the rails. Starter rails without end caps should be specified for stand-alone table desks because the table desk legs cover the ends of the rails, so end caps are not needed. Table desk end legs can only be installed at the end of the worksurface and are taller than the desk end legs, so knees can fit under the end of the table.

Returns are assembled with tops 18"-48" deep, return rails, and an end leg. Return rails are 6" wider than the return top that is connecting to the perpendicular desk rails.

Bridges are assembled from tops and bridge rails. Bridge rails are 9" wider than the bridge top that is connecting to perpendicular desks at both ends. Desks with extension tops or desk extension cabinets require

starter rails that are 12" wider than the adjacent top. Returns with extension tops or cabinets require return rails 12" wider than return top width. The desk end leg is positioned where the top and cabinet meet.

Tops planned end-to-end can share a desk end leg where the tops meet, but require one set of starter rails and one set of extended rails, which are 3" wider than the top.

Back-to-back desk tops can be supported by two sets of starter rails and back-to-back end legs. Designed to create a 3 3/4" space between the back-to-back tops for a desk mounted screen and wire drops on each side, back-to-back end legs are inset 1 1/2" from the front edges of the tops.

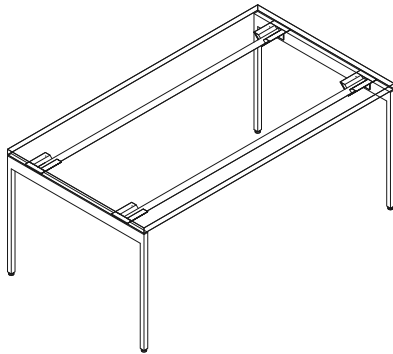


Table Desk End Leg Detail



Table Desk Side Elevation

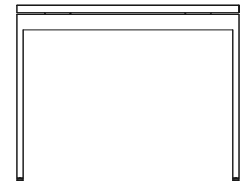
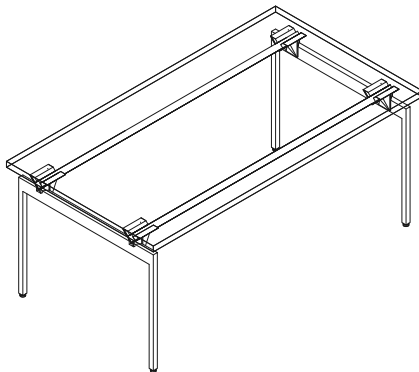


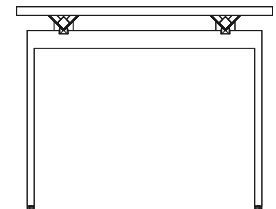
Table Desk End Elevation



Desk End Leg Detail



Desk Side Elevation



Desk End Elevation

Dual sided big tables are comprised of back to back tops with two sets of starter rails equal to the width of the tops and a center beam between, which span across two end legs for dual sided big tables. The center beam and starter rails correspond in width to the tops on either side.

End to end big table tops are supported by two pairs of extended rails, an additional center beam and an additional intermediate leg for each additional pair of tops.

Big tables with extension tops or desk extension cabinets require starter rails or extended rails 12" wider than the adjacent tops. The end leg is positioned where the top and cabinet meet. Center beam matches the top width.

End legs and intermediate legs for dual sided big tables with 24", 27" or 30" deep tops are always 50 1/2" deep. Legs are inset 1 1/2" from front edge of 24"D tops, 4 1/2" from front edge of 27"D

tops and 7 1/2" from front of 30"D tops. Dual sided big table end and intermediate legs for 18" deep tops are 38 1/2" deep and inset 1 1/2" from the front edges of 18" deep tops. End legs and intermediate legs for dual sided big tables with 36" deep tops are 62 1/2" deep and inset 7 1/2" from front edges of 36" deep tops. For 36" deep dual sided big tables with tops wider than 54", an additional midspan support for the center beam must be specified separately. End legs can be positioned up to 6" in from ends of a big table and intermediate legs must be mounted directly under the joint of two tops.

Inset intermediate legs offer more knee space than standard intermediate legs. Inset legs are only 35 1/2" deep, so are recessed 9" from front edge of 24"D tops, 12" from front edge of 27"D tops, and 15" from front of 30"D tops. Inset intermediate legs for 36" deep dual sided big tables are

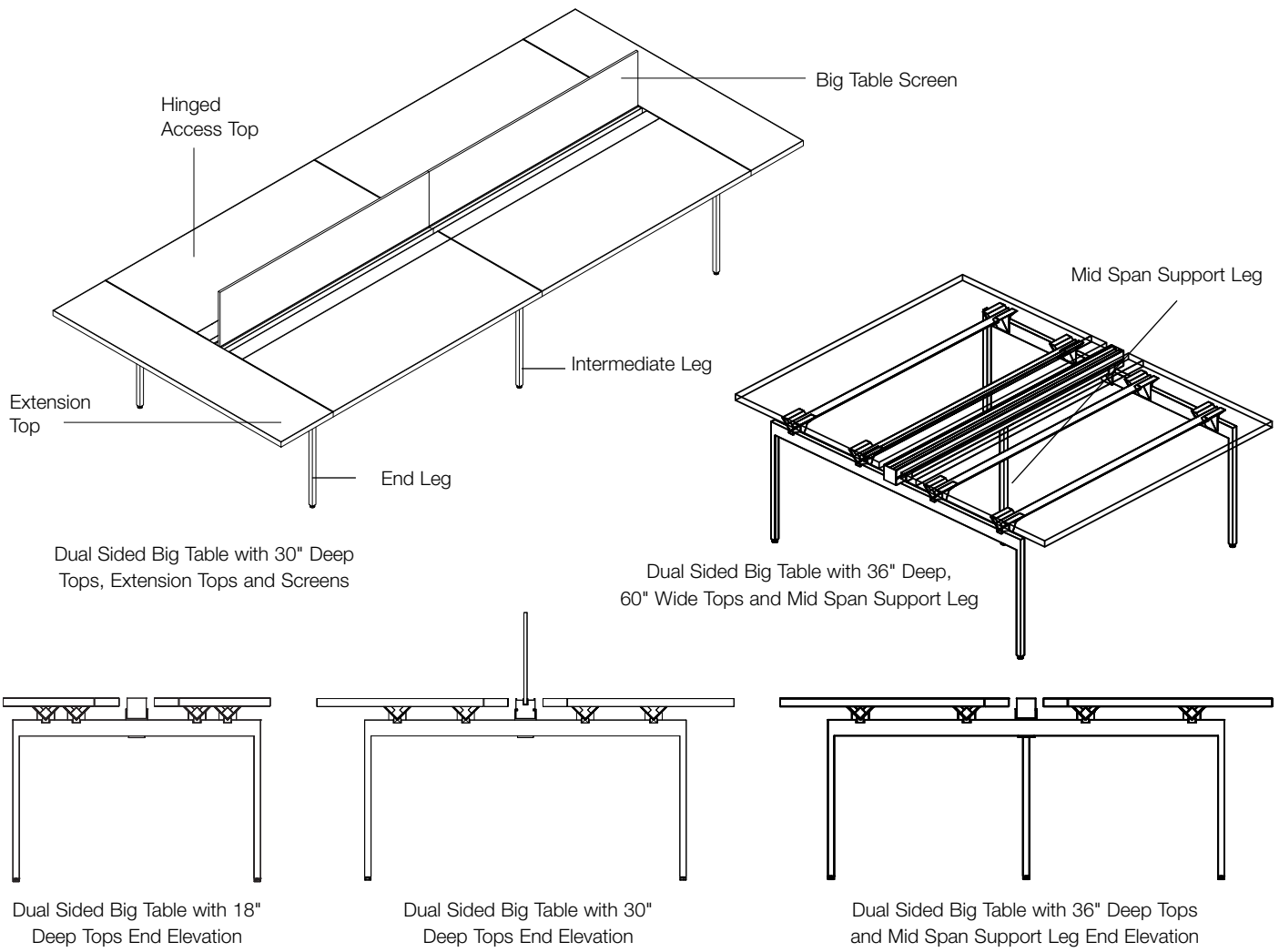
47 1/2" deep and recessed 15" from front edge of top. There are no inset intermediate legs available for 18" deep big tables.

Deep inset intermediate legs offer the most knee space. Deep inset intermediate legs are 23 1/2" deep, and are recessed 15" from front edge of 24"D tops, 18" from front edge of 27"D tops, and 21" from front edge of 30"D tops.

Returns can be attached anywhere along big tables. Standard desk return rails can be specified with 18" or 24" deep big table tops. Since rails on big table tops deeper than 24" are recessed further from the front edge, return rails are 6" wider than return tops for big tables 27" deep and 9" wider than return tops for big tables 30" or 36" deep.

Antenna tops can serve as economical shared returns up to 48" deep with a single end leg or table desk end leg and one set of return rails.

Desk and Table Support



Antenna Workspaces offers two versions of single sided big tables: basic and full back. Basic big tables can support power distribution, beam-mounted screens, Sapper monitor arms, platforms and cantilever shelves. Basic big tables do not support stanchion mounted open or enclosed cabinets, and are limited to 6" deep cable baskets below the center beam. Full back big tables, with an added 7 1/2" deep top on the back side of the center beam, add the options of full back panels, extension tops or stanchion mounted storage cabinets, and enable 12" deep as well as 6" cable baskets in the same configuration as dual tables.

### Basic Single Sided Big Tables

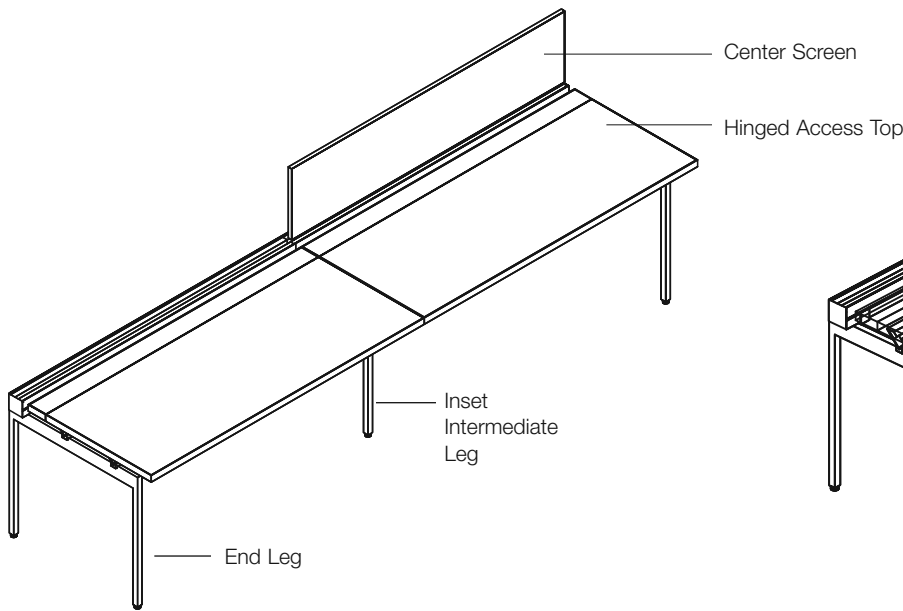
Single sided basic big tables include a top with starter rails and a center beam, which span across two end legs. The center beam and starter rails correspond in width to the desk top width. Adjacent big table tops are supported by a pair of extended rails on an additional intermediate leg, with corresponding width center beam.

Overall depth for basic single sided tables is about 5 1/2" greater than the big table tops. End legs and intermediate legs for basic single sided big tables with 18" deep tops are set back 1 1/2" from the front edge. End legs and intermediate legs for tables with tops that are 24", 27" or 30" deep are set back 1 1/2" from

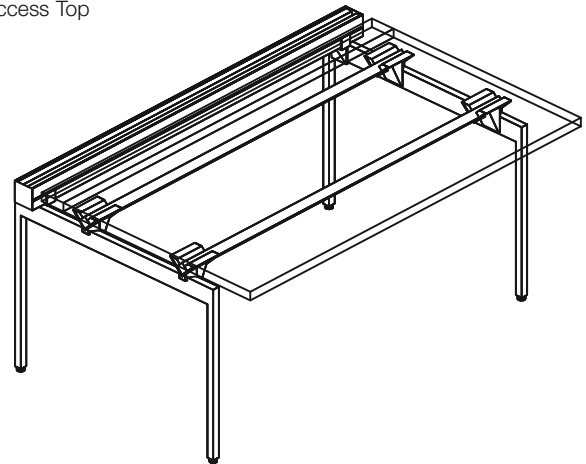
the front edge of 24" deep tops, 4 1/2" from the front of 27" deep tops, and 7 1/2" from the front of 30" deep tops. End legs and intermediate legs for basic big tables with 36" deep tops are set back 7 1/2" from the front edge.

For big tables with tops deeper than 18", inset intermediate legs offer more kneespace than standard intermediate legs: inset intermediate legs are recessed 9" from front edge of 24" deep tops, 12" from front of 27" deep tops and 15" from front of 30" or 36" deep tops.

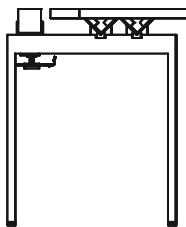
End legs can be positioned from 1 1/2" to 6" in from the end of a big table top. Intermediate legs or inset intermediate legs must be mounted directly under the joint of two tops.



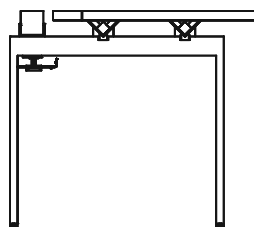
Basic Single Sided Big Table with 27" Deep Tops and Center Screen



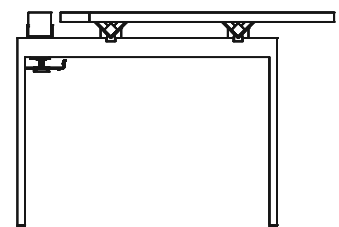
Basic Single Sided Big Table with 36" Deep Top



Basic Single Sided Big Table with 18" Deep Top



Basic Single Sided Big Table with 27" Deep Top



Basic Single Sided Big Table with 36" Deep Top End Elevation

**Full Back Single Sided Big Tables**

Single sided full back big tables include a top with pair of starter rails, a 7 1/2" deep back top with a single starter rail, and a center beam, which span across two end legs. The back top, center beam and starter rails correspond in width to the desk top width. Adjacent big table tops and back tops are supported by a pair of extended rails and a single extended rail, on an additional intermediate leg, with corresponding width center beam.

Big tables with extension tops require starter rails or extended rails for tops 12" wider than the actual adjacent big table tops. The center beam should remain the same width as the big table tops, and the end leg is positioned where the tops meet the extension.

Overall depth of full back single sided big tables is about 13" more than the big table tops. End legs and intermediate legs for full back, single sided big tables with 18" deep tops are set back 1 1/2" from the front edge. End legs and intermediate legs for tables with tops that are 24", 27" or 30" deep are, set back 1 1/2" from the front edge of 24" deep tops, 4 1/2" from the front of 27" deep tops, and 7 1/2" from the front of 30" deep tops. End legs and intermediate legs for basic big tables with 36" deep tops are set back 7 1/2" from the front edge.

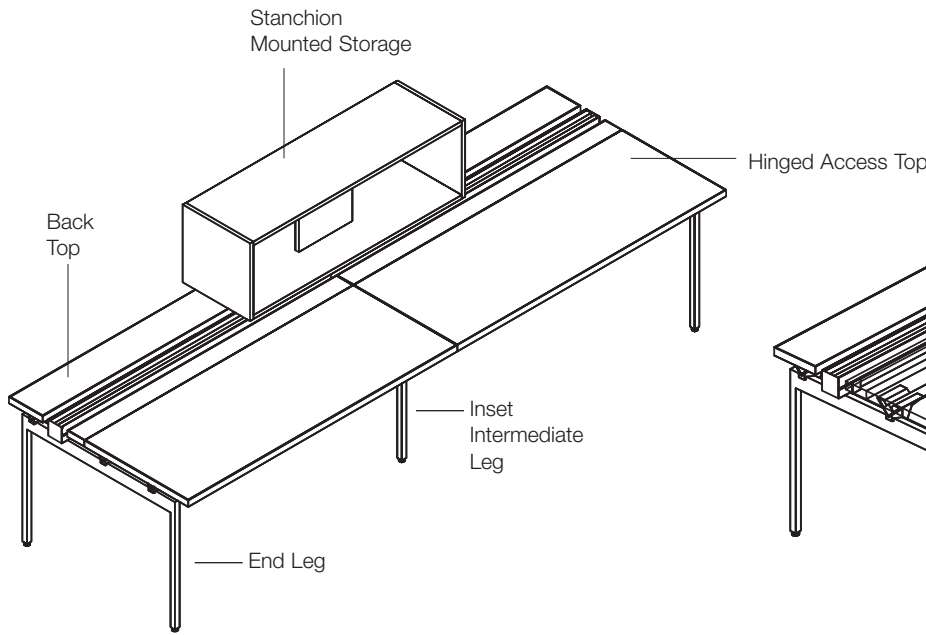
For big tables with tops deeper than 18", inset intermediate legs offer more kneespace than standard intermediate legs: inset intermediate legs are recessed 9" from front edge of 24" deep tops, 12" from front of 27" deep tops and 15" from front of 30" or 36" deep tops.

End legs can be positioned from 1 1/2" to 6" in from the end of a big table top, or centered under the joint of a top and extension top. Intermediate legs or inset intermediate legs must be mounted directly under the joint of two tops.

**Returns For Single Sided Big Tables**

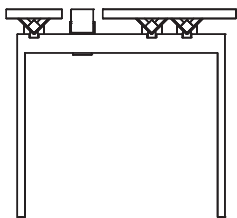
Returns can be attached anywhere along basic or full back single sided big tables. Standard desk return rails can be specified with 18" or 24" deep big table tops. Since rails on deeper big tables are recessed further from the front edge, specify return rails 6" wider than the actual return top width for 27"D big tables, and 9" wider than the actual return width for 30" or 36" deep big tables.

Desk and Table Support

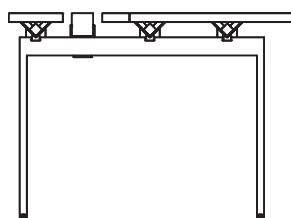


Single Sided Full Back Big Table with 27" Deep Tops and Stanchion Mounted Open Cabinet

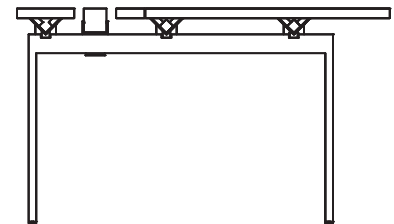
Full Back Single Sided Big Table with 36" Deep Tops



Single Sided Full Back Big Table with 18" Deep Tops End Elevation



Single Sided Full Back Big Table with 27" Deep Tops End Elevation



Single Sided Full Back Big Table with 36" Deep Tops

When specified and installed correctly, Antenna desks are extraordinarily strong and stable and meet or exceed BIFMA stability guidelines.

Rails can support Antenna tops and Overlay tops for up to 84" between supports, so desk tops wider than 84", returns wider than 78" or bridges wider than 72" require intermediate support from a desk end leg, floorstanding pedestal or Template

storage unit. Desk and big table tops are able to span 48"-84" between end legs.

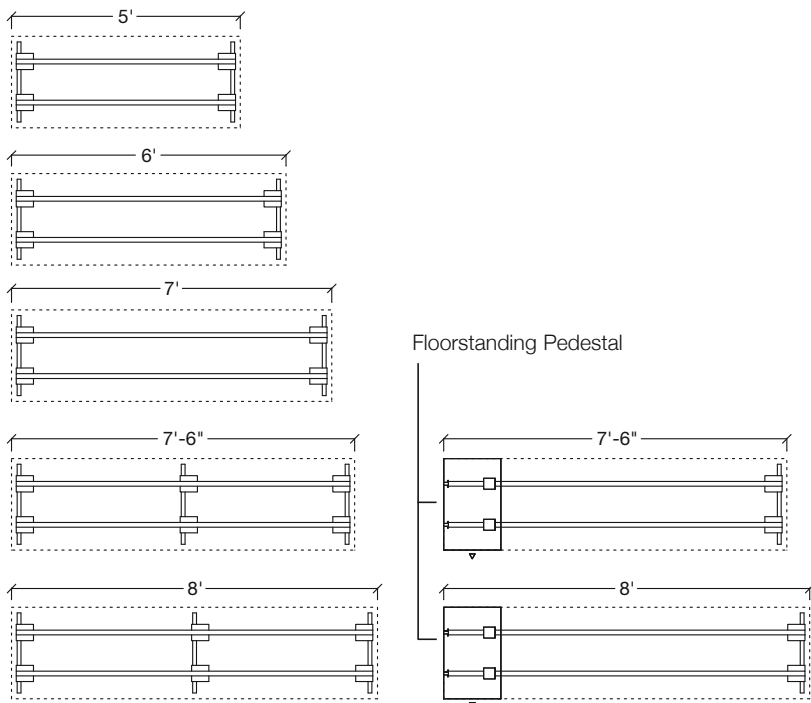
Desk end legs can be inset up to 6" from each end of freestanding desks of any width or up to 15" from ends of tops wider than 78". Rails for tops extending more than 7 1/2" should be fitted with YBCDE connectors to attach the end of the rail to the top.

Standing height end legs can create standing height tables from 48" to 72"

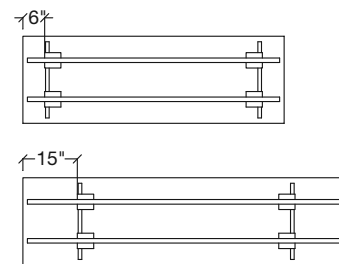
wide. Standing height end legs may not be used with single tops wider than 72".

For stability of desks with suspended storage and legs positioned inside of the cabinet, desk top must be anchored to the cabinet and desk top must be anchored to the other end with a floorstanding pedestal, a Template storage unit, Fence, a return or a bridge top.

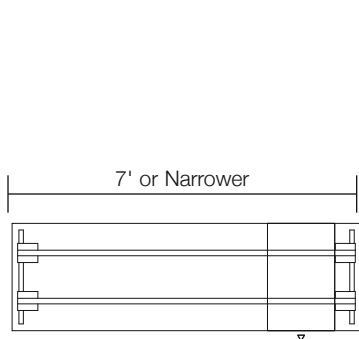
Fence with stanchion mounted storage must be anchored to a desk to provide sufficient stability.



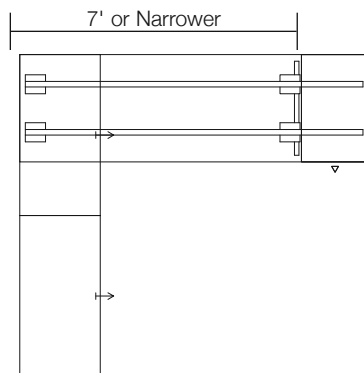
Desk Support Stability Guidelines



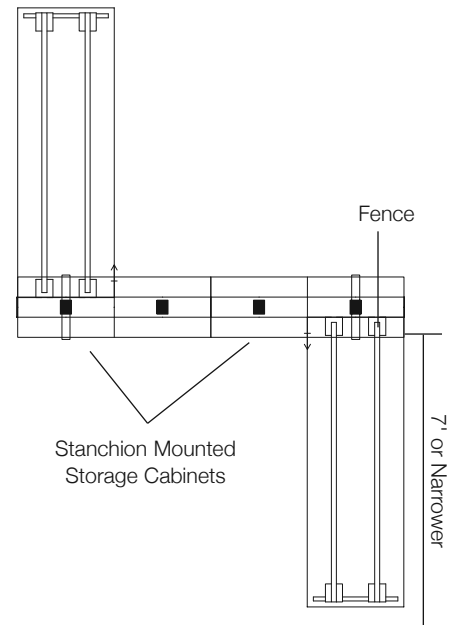
Standard End Leg Positions



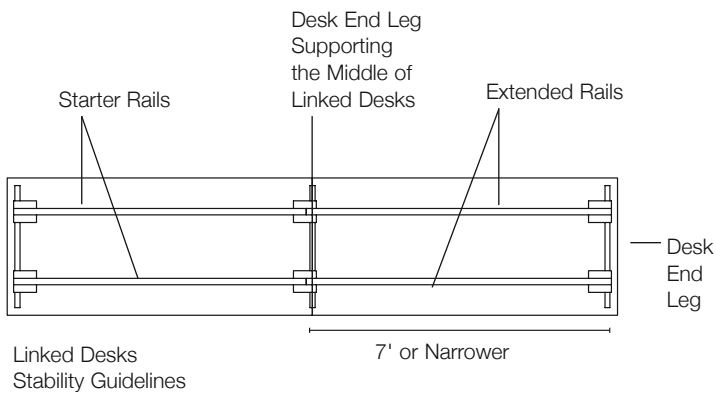
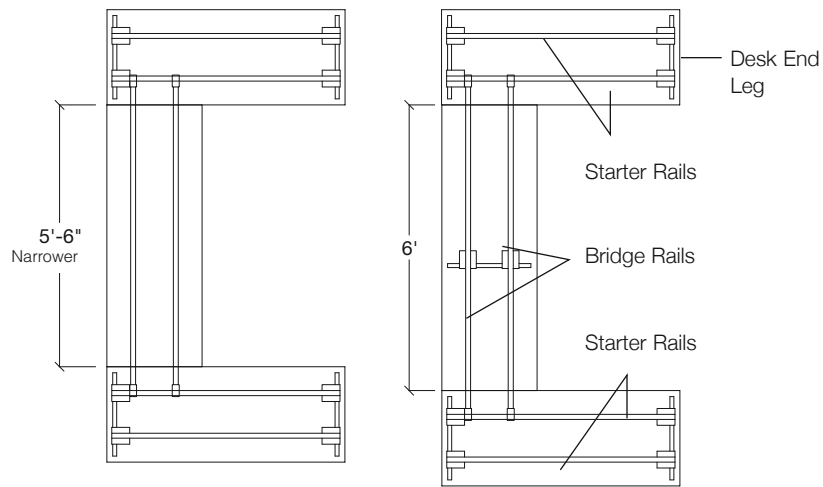
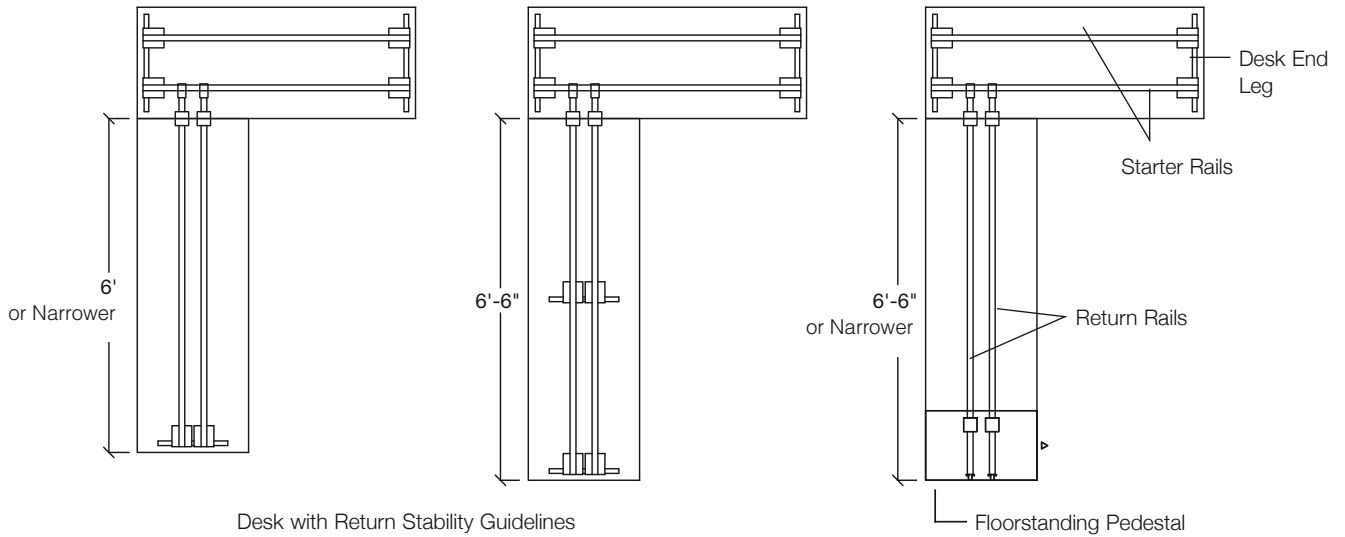
Desk with Suspended Storage Inside of Leg

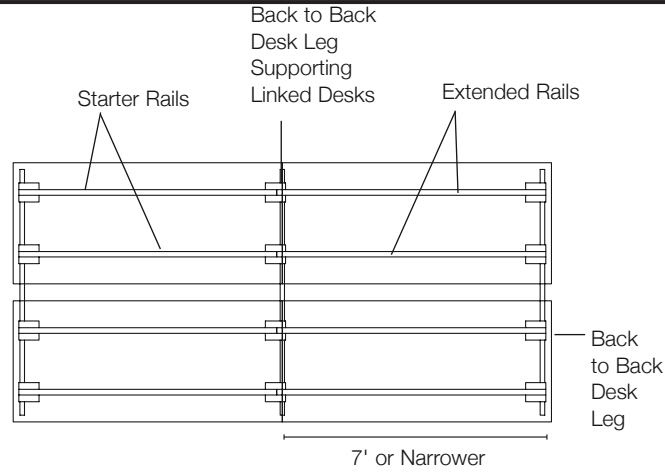


Desk with Suspended Storage Outside of Leg

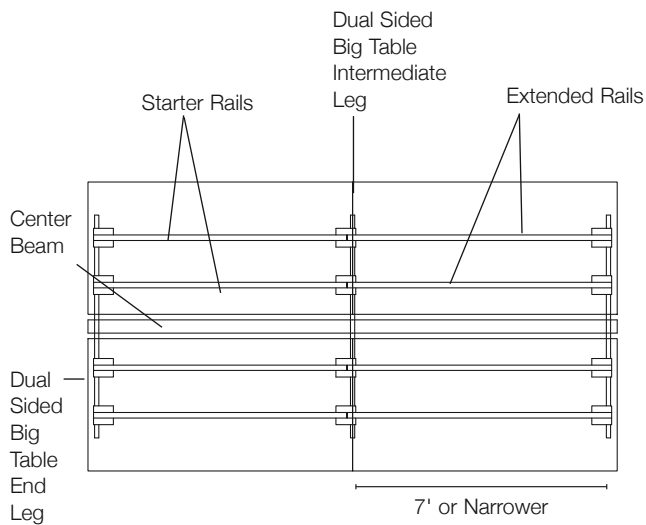


Fence Storage Stability Guidelines

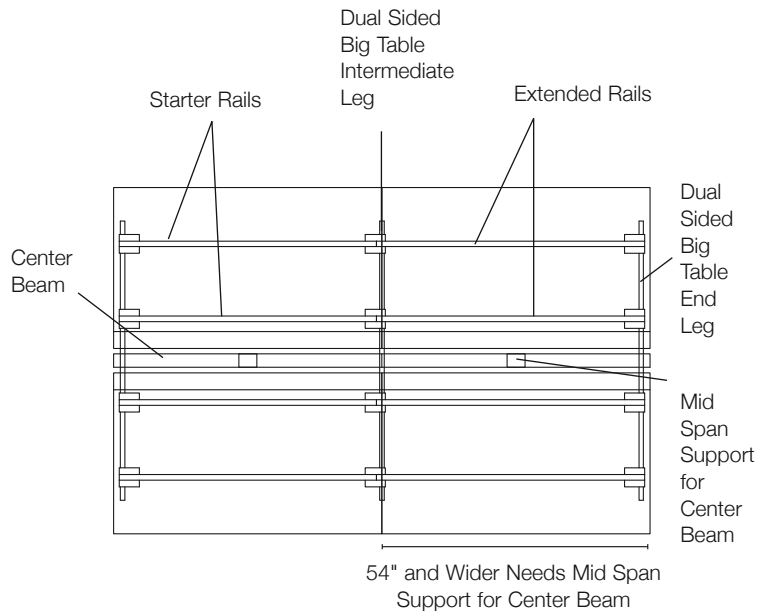




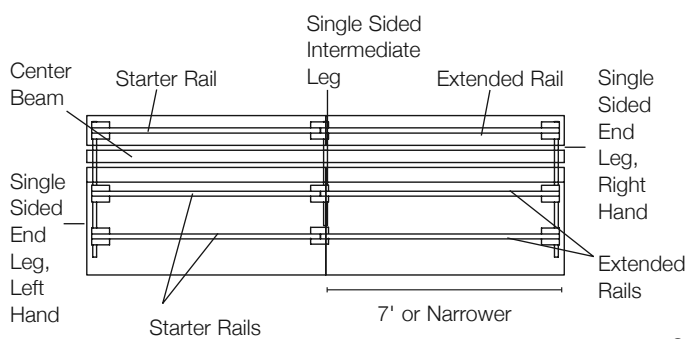
Back to Back Desks Stability Guidelines



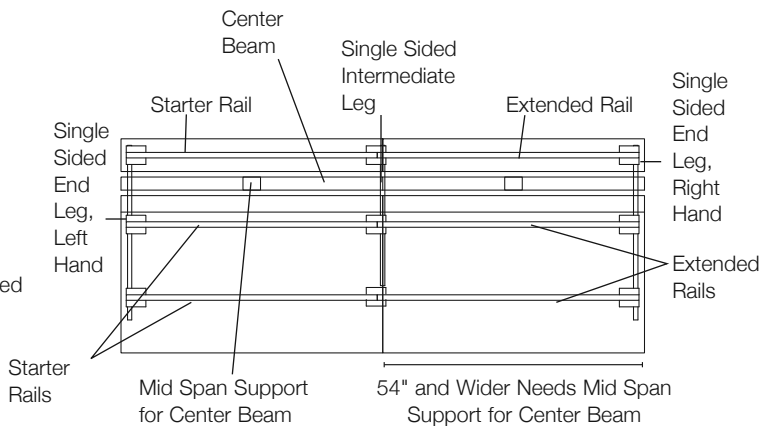
18", 24", 27" or 30" Deep Dual Sided Big Table Stability Guidelines



36" Deep Dual Sided Big Table Stability Guidelines



18", 24", 27" or 30" Deep Single Sided Big Table Stability Guidelines



36" Deep Single Sided Big Table Stability Guidelines

# Starter and Extended Rails

## Planning Guidelines and Specifications

Rails are a pair of painted steel tubes used to support an Antenna top and connect to the end legs. Rails correspond in width to the top or combination of top and extension top or cabinet. Rails are available in complete sets for specific applications: starter, extended, return and bridge.

Starter rails support an independent desk top, the first top in a linked cluster of desks or the first top in single-sided or dual big table applications. Starter rails include two rails 3" less than the width of a top, four end caps and spacers to support the center of the top above the rails. Starter rails are also available without end caps for use in table desk applications. Table desk end legs cover the ends of the rails,

so end caps are not needed. Starter rails are available in 6" increments from 33" to 93" wide.

Extended rails support a desk top planned end-to-end with another desk top, in both single-sided and dual big table configurations. Intermediate leg should be centered and cradles positioned to join the adjacent rails where the two desk tops meet. Extended rails include two rails the same width as a top, spacers and top to top brackets. Extended rails are available in 6" increments from 36" to 96" wide.

A single sided big table primary top uses the same starter and extended rails as dual sided big table tops. A single starter or extended rail must be specified to support the 7 1/2" deep back-top that is on the opposite side of

the center beam from the primary top. Single rails should be specified the same width as the rail pairs specified for the primary top.

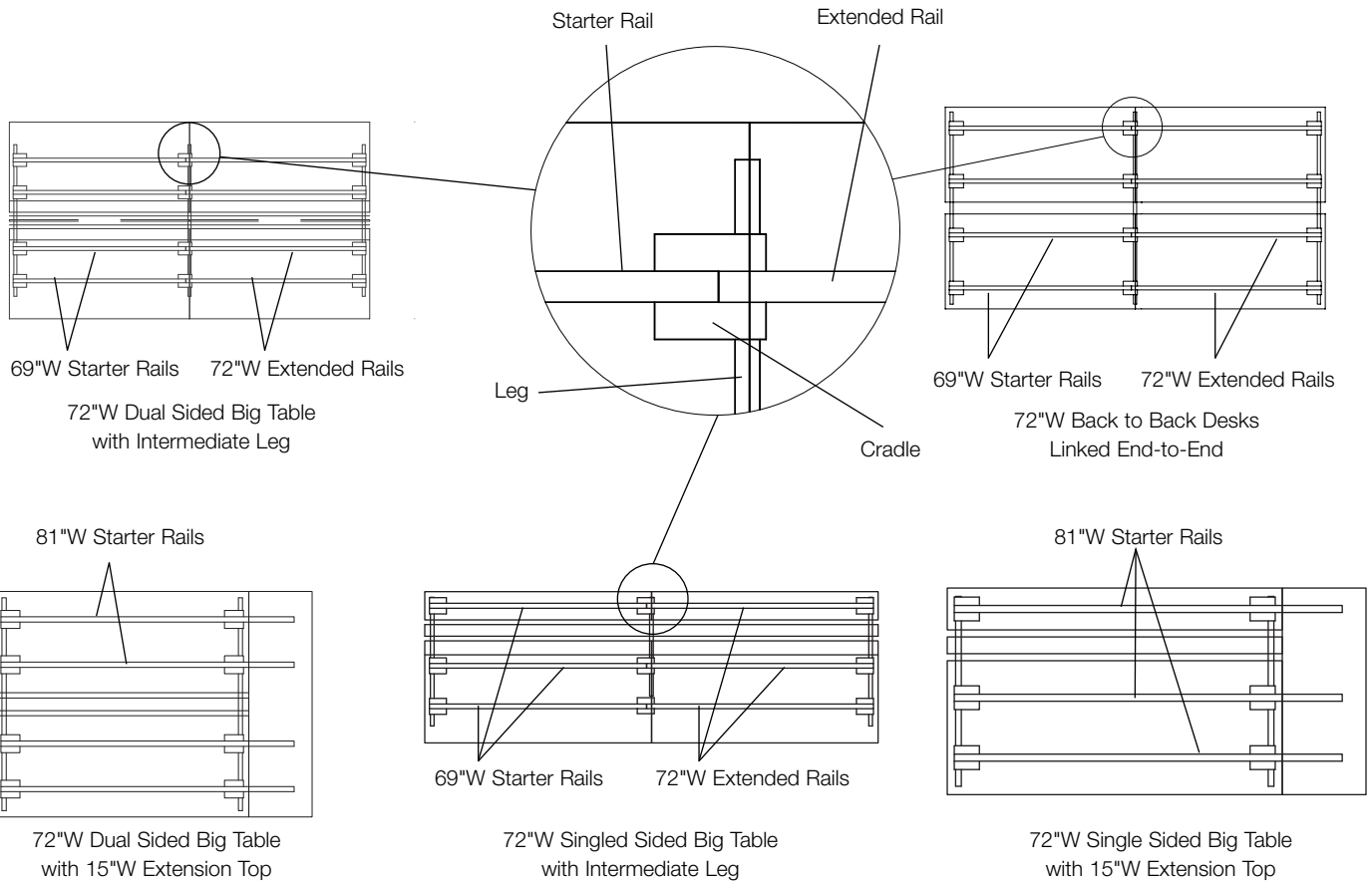
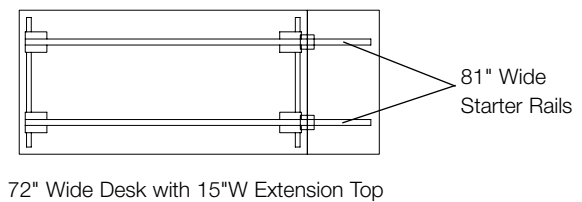
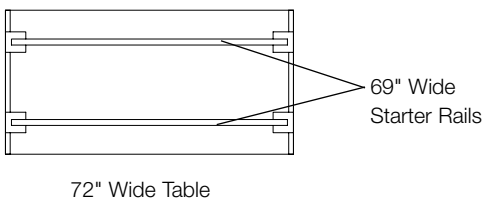
Connector kits for extension tops are required when cantilevering an extension surface to rails beyond a desk end leg. Desk or big tables rails should be specified 12" wider than adjacent surface for 15"W extension tops or 15" wider than adjacent surface for 18"W extension tops.

### Construction

Rails are 1 1/4" square steel tube. End caps are die cast aluminium. Return adapters are die cast aluminium.

### Specifications Options

Specify rails and end caps in any Knoll core, Clear, Dark Red or Slate Blue paint finish.

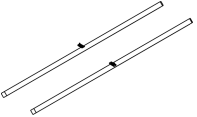
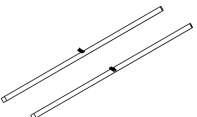
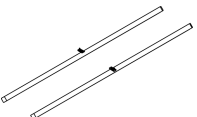
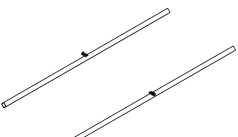


Desk and Table Support



# Starter and Extended Rails

## *Rail Pairs For Desks, Tables or Big Tables*

description	type	w	d	h	pattern no.	list
Starter Rails with End Caps (pair) 	For 36" Wide Desk	33"	1"	1"	<b>YBRS33</b>	\$117.
	For 42" Wide Desk	39"	1"	1"	<b>YBRS39</b>	138.
	For 48" Wide Desk	45"	1"	1"	<b>YBRS45</b>	151.
	For 54" Wide Desk	51"	1"	1"	<b>YBRS51</b>	194.
	For 60" Wide Desk	57"	1"	1"	<b>YBRS57</b>	197.
	For 66" Wide Desk	63"	1"	1"	<b>YBRS63</b>	203.
	For 72" Wide Desk	69"	1"	1"	<b>YBRS69</b>	208.
	For 78" Wide Desk	75"	1"	1"	<b>YBRS75</b>	211.
	For 84" Wide Desk	81"	1"	1"	<b>YBRS81</b>	327.
	For 90" Wide Desk	87"	1"	1"	<b>YBRS87</b>	332.
	For 96" Wide Desk	93"	1"	1"	<b>YBRS93</b>	334.
Starter Rails without End Caps, For Use with Table Desks (pair) 	For 36" Wide Desk	33"	1"	1"	<b>YBRT33</b>	99.
	For 42" Wide Desk	39"	1"	1"	<b>YBRT39</b>	110.
	For 48" Wide Desk	45"	1"	1"	<b>YBRT45</b>	136.
	For 54" Wide Desk	51"	1"	1"	<b>YBRT51</b>	177.
	For 60" Wide Desk	57"	1"	1"	<b>YBRT57</b>	180.
	For 66" Wide Desk	63"	1"	1"	<b>YBRT63</b>	188.
	For 72" Wide Desk	69"	1"	1"	<b>YBRT69</b>	192.
	For 78" Wide Desk	75"	1"	1"	<b>YBRT75</b>	195.
	For 84" Wide Desk	81"	1"	1"	<b>YBRT81</b>	313.
	For 90" Wide Desk	87"	1"	1"	<b>YBRT87</b>	318.
	For 96" Wide Desk	93"	1"	1"	<b>YBRT93</b>	320.
Starter Rails without End Caps, For Use with Antenna Tops with Two Extension Tops (pair) 	For 102" Wide Table	99"	1"	1"	<b>YBRT99</b>	408.
	For 108" Wide Table	105"	1"	1"	<b>YBRT105</b>	418.
	For 114" Wide Table	111"	1"	1"	<b>YBRT111</b>	428.
Extended Rails (pair) 	For 36" Wide Desk	36"	1"	1"	<b>YBRE36</b>	92.
	For 42" Wide Desk	42"	1"	1"	<b>YBRE42</b>	115.
	For 48" Wide Desk	48"	1"	1"	<b>YBRE48</b>	166.
	For 54" Wide Desk	54"	1"	1"	<b>YBRE54</b>	170.
	For 60" Wide Desk	60"	1"	1"	<b>YBRE60</b>	174.
	For 66" Wide Desk	66"	1"	1"	<b>YBRE66</b>	177.
	For 72" Wide Desk	72"	1"	1"	<b>YBRE72</b>	183.
	For 78" Wide Desk	78"	1"	1"	<b>YBRE78</b>	299.

**Ordering Information**

**Rails**  
 1. Pattern Number  
 2. Paint Finish

**Order Code**

**Rails**  
*Example:* **YBRS63, 118T**  
**YBR** Rails  
**S** Starter  
**63** Width  
**118T** Bright White Paint

**Included With**

**Starter Rails**  
 Spacers  
 End Caps (not included with Table Desk rails)  
**Extended Rails**  
 Spacers  
 Flat Brackets

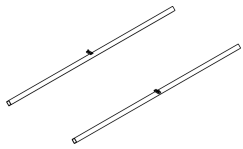
**Options**

**Rails**

# Starter and Extended Rails

## *Rail Pairs For Desks, Tables or Big Tables*

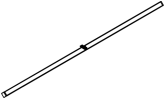
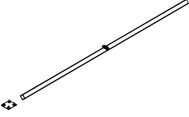
description	type	w	d	h	pattern no.	list
Extended Rails (pair)	For 84" Wide Desk	84"	1"	1"	<b>YBRE84</b>	\$302.
	For 90" Wide Desk	90"	1"	1"	<b>YBRE90</b>	308.
	For 96" Wide Desk	96"	1"	1"	<b>YBRE96</b>	315.



Ordering Information	Order Code	Included With	Options
<b>Rails</b>	<b>Rails</b>	<b>Starter Rails</b>	<b>Rails</b>
1. Pattern Number	<i>Example:</i> <b>YBRS63, 118T</b>	Spacers	
2. Paint Finish	<b>YBR</b> Rails	End Caps (not included with Table Desk rails)	
	<b>S</b> Starter	<b>Extended Rails</b>	
	<b>63</b> Width	Spacers	
	<b>118T</b> Bright White Paint	Flat Brackets	

# Starter and Extended Rails

## Rail Singles for Single Sided Big Tables

description	type	w	d	h	pattern no.	list
 Single Starter Rails for Single Sided Big Tables	For 48" Wide Desk	45"	1"	1"	<b>YBRBTS45</b>	\$78.
	For 54" Wide Desk	51"	1"	1"	<b>YBRBTS51</b>	105.
	For 60" Wide Desk	57"	1"	1"	<b>YBRBTS57</b>	107.
	For 66" Wide Desk	63"	1"	1"	<b>YBRBTS63</b>	108.
	For 72" Wide Desk	69"	1"	1"	<b>YBRBTS69</b>	111.
	For 78" Wide Desk	75"	1"	1"	<b>YBRBTS75</b>	114.
	For 84" Wide Desk	81"	1"	1"	<b>YBRBTS81</b>	183.
	For 90" Wide Desk	87"	1"	1"	<b>YBRBTS87</b>	186.
	For 96" Wide Desk	93"	1"	1"	<b>YBRBTS93</b>	188.
 Single Extended Rails for Single Sided Big Tables	For 48" Wide Desk	48"	1"	1"	<b>YBRBTE48</b>	97.
	For 54" Wide Desk	54"	1"	1"	<b>YBRBTE54</b>	98.
	For 60" Wide Desk	60"	1"	1"	<b>YBRBTE60</b>	100.
	For 66" Wide Desk	66"	1"	1"	<b>YBRBTE66</b>	103.
	For 72" Wide Desk	72"	1"	1"	<b>YBRBTE72</b>	106.
	For 78" Wide Desk	78"	1"	1"	<b>YBRBTE78</b>	175.
	For 84" Wide Desk	84"	1"	1"	<b>YBRBTE84</b>	176.
	For 90" Wide Desk	90"	1"	1"	<b>YBRBTE90</b>	178.
	For 96" Wide Desk	96"	1"	1"	<b>YBRBTE96</b>	180.

### Ordering Information

- Rails**  
 1. Pattern Number  
 2. Paint Finish

### Order Code

Rails	
<i>Example:</i> <b>YBRBTS57, 118T</b>	
<b>YBR</b>	Rails
<b>BTS</b>	Single Sided Big Table
<b>57</b>	Width
<b>118T</b>	Bright White Paint

### Included With

- Starter Rails**  
 Spacers  
 End Caps
- Extended Rails**  
 Spacers  
 Flat Brackets

### Options

- Rails**

# Return and Bridge Rails

## Planning Guidelines and Specification

Return rails support a top planned as a return perpendicular to another desk top. Return rail kits also support returns off of a big table with 18", 24", 27", 30" or 36"D tops. For returns connected to 18" or 24" deep big tables, specify return rails 3" wider than the return top. For returns off of 27" deep big tables, specify return rails 6" wider than the return top. For returns off of 30" or 36" deep big tables, specify return rails 9" wider than the return top.

Return rails include two rails 4 1/2" wider than a top, return adapters, one pair of end caps and spacers to support the return top where it meets the desk top.

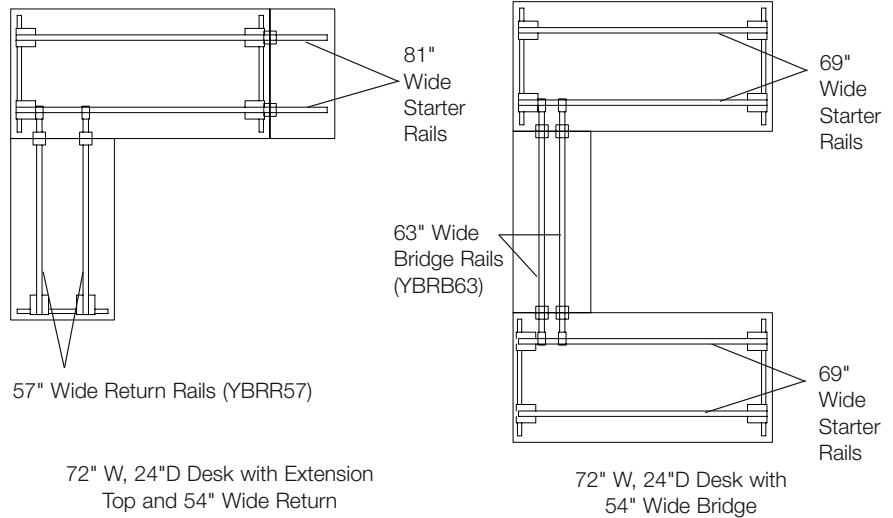
Bridge rails support a desk top planned as a bridge spanning between two desk tops. Bridge rails include two rails 9" wider than a top, two pairs of return adapters and spacers. Bridge rails can also be planned between big tables that have 18" or 24" deep tops. For bridges between big tables 27" deep, specify bridge rails 15" wider than top and for bridges between big tables 30" or 36" deep specify bridge rails 21" wider than top.

### Construction

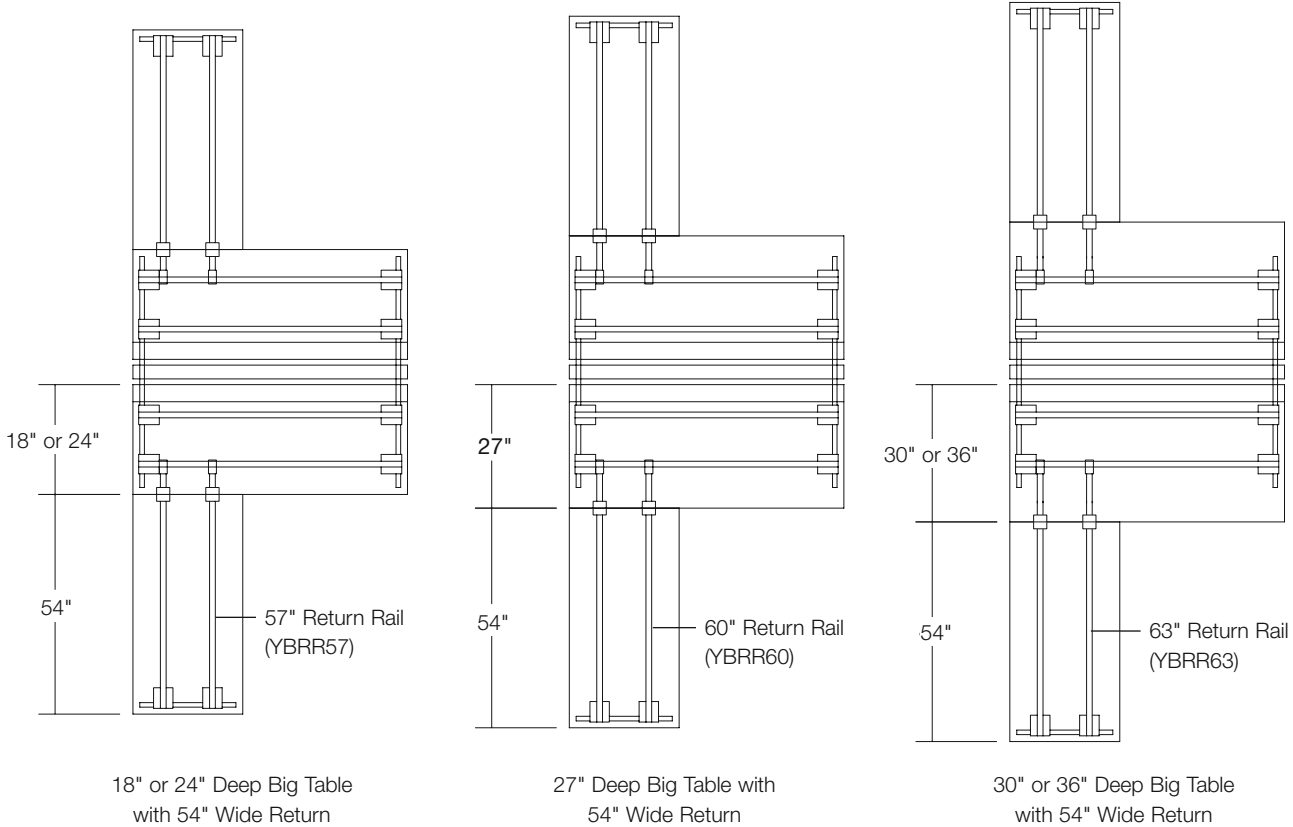
Rails are 1 1/4" square steel tubes. End caps are die cast aluminum. Return adapters are die cast aluminum.

### Specification Options

Specify rails and end caps in any Knoll core, Slate Blue or Dark Red paint finish.

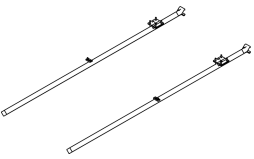
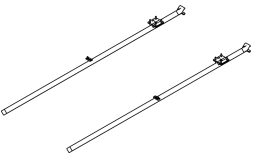
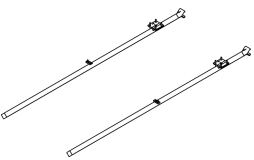


Desk and Table Support



# Return and Bridge Rails

## Rail Pairs For Desks, Tables or Big Tables

description	type	w	d	h	pattern no.	list
 Return Rails for any Depth Desk or 24" Deep Big Tables (pair)	For 30" Wide Return	33"	1"	1"	<b>YBRR33</b>	\$171.
	For 36" Wide Return	39"	1"	1"	<b>YBRR39</b>	195.
	For 42" Wide Return	45"	1"	1"	<b>YBRR45</b>	198.
	For 48" Wide Return	51"	1"	1"	<b>YBRR51</b>	243.
	For 54" Wide Return	57"	1"	1"	<b>YBRR57</b>	248.
	For 60" Wide Return	63"	1"	1"	<b>YBRR63</b>	253.
	For 66" Wide Return	69"	1"	1"	<b>YBRR69</b>	257.
	For 72" Wide Return	75"	1"	1"	<b>YBRR75</b>	261.
	For 78" Wide Return	81"	1"	1"	<b>YBRR81</b>	377.
	For 84" Wide Return	87"	1"	1"	<b>YBRR87</b>	383.
For 90" Wide Return	93"	1"	1"	<b>YBRR93</b>	386.	
 Return Rails for Big Tables 27" Deep (pair)	For 30" Wide Return	36"	1"	1"	<b>YBRR36</b>	173.
	For 36" Wide Return	42"	1"	1"	<b>YBRR42</b>	196.
	For 42" Wide Return	48"	1"	1"	<b>YBRR48</b>	242.
	For 48" Wide Return	54"	1"	1"	<b>YBRR54</b>	245.
	For 54" Wide Return	60"	1"	1"	<b>YBRR60</b>	251.
	For 60" Wide Return	66"	1"	1"	<b>YBRR66</b>	254.
	For 66" Wide Return	72"	1"	1"	<b>YBRR72</b>	259.
	For 72" Wide Return	78"	1"	1"	<b>YBRR78</b>	374.
	For 78" Wide Return	84"	1"	1"	<b>YBRR84</b>	378.
	For 84" Wide Return	90"	1"	1"	<b>YBRR90</b>	385.
 Return Rails for Big Tables 30" Deep (pair)	For 30" Wide Return	39"	1"	1"	<b>YBRR39</b>	195.
	For 36" Wide Return	45"	1"	1"	<b>YBRR45</b>	198.
	For 42" Wide Return	51"	1"	1"	<b>YBRR51</b>	243.
	For 48" Wide Return	57"	1"	1"	<b>YBRR57</b>	248.
	For 54" Wide Return	63"	1"	1"	<b>YBRR63</b>	253.
	For 60" Wide Return	69"	1"	1"	<b>YBRR69</b>	257.
	For 66" Wide Return	75"	1"	1"	<b>YBRR75</b>	261.
	For 72" Wide Return	81"	1"	1"	<b>YBRR81</b>	377.
	For 78" Wide Return	87"	1"	1"	<b>YBRR87</b>	383.
	For 84" Wide Return	93"	1"	1"	<b>YBRR93</b>	386.

### Ordering Information

- Rails**  
 1. Pattern Number  
 2. Paint Finish

### Order Code

<b>Return Rails</b>	
<i>Example:</i> <b>YBRR63, 118T</b>	
<b>YBR</b>	Rails
<b>R</b>	Return
<b>63</b>	Width
<b>118T</b>	Bright White Paint

### Included With

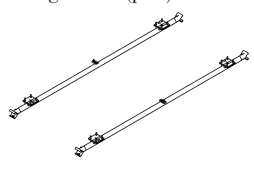
- Return Rails**  
 Spacers  
 Brackets  
 End Caps  
 Flat Brackets
- Bridge Rails**  
 Brackets  
 Spacers  
 Flat Brackets

### Options

- Rails**

# Return and Bridge Rails

## *Rail Pairs For Desks, Tables or Big Tables*

description	type	w	d	h	pattern no.	list
Bridge Rails (pair) 	For 30" Wide Bridge	39"	1"	1"	<b>YBRB39</b>	\$244.
	For 36" Wide Bridge	45"	1"	1"	<b>YBRB45</b>	249.
	For 42" Wide Bridge	51"	1"	1"	<b>YBRB51</b>	293.
	For 48" Wide Bridge	57"	1"	1"	<b>YBRB57</b>	296.
	For 54" Wide Bridge	63"	1"	1"	<b>YBRB63</b>	300.
	For 60" Wide Bridge	69"	1"	1"	<b>YBRB69</b>	306.
	For 66" Wide Bridge	75"	1"	1"	<b>YBRB75</b>	309.
	For 72" Wide Bridge	81"	1"	1"	<b>YBRB81</b>	427.
	For 78" Wide Bridge	87"	1"	1"	<b>YBRB87</b>	431.
	For 84" Wide Bridge	93"	1"	1"	<b>YBRB93</b>	433.

Ordering Information	Order Code	Included With	Options
<b>Rails</b> 1. Pattern Number 2. Paint Finish	<b>Return Rails</b> <hr/> <i>Example:</i> <b>YBRR63, 118T</b> <hr/> <b>YBR</b> Rails <hr/> <b>R</b> Return <hr/> <b>63</b> Width <hr/> <b>118T</b> Bright White Paint	<b>Return Rails</b> Spacers Brackets End Caps Flat Brackets  <b>Bridge Rails</b> Brackets Spacers Flat Brackets	<b>Rails</b>

# Desk Connectors

## Planning Guidelines and Specifications

### Desk Connector Kits

Desks or big tables with extension tops or extension cabinets require longer rails and additional connector kits to secure and align the extensions with the adjacent tops. Above desk or big table extension cabinet bottoms and below desk or big table extension cabinet tops are detailed as visual extensions of the adjacent desk or big table, and are supported in the same way as extension tops.

For an individual desk with 15"W extension top or cabinet, specify starter rails for the next 12" longer desk top. If the leg is positioned at the end of the desk, add connector kit YBCDE.

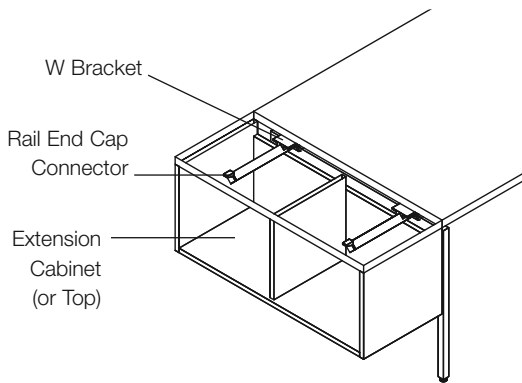
The YBCDE kit includes two W brackets that join the top to the extension over the rails, two rail end caps that connect the ends of the rails to the underside of the extension and two flat brackets that align the front and back of the desktop with the extension.

Alternatively, if the leg is positioned under the extension top or an above desk cabinet specify 12" longer rails and add connector kit YSDXUP. The YSDXUP kit includes only the two W brackets that join the top to the extension over the rails, while the desk leg cradle connects directly to the extension top or cabinet.

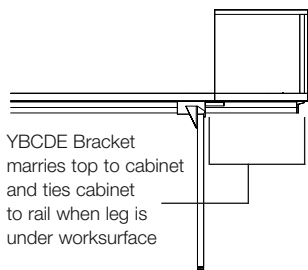
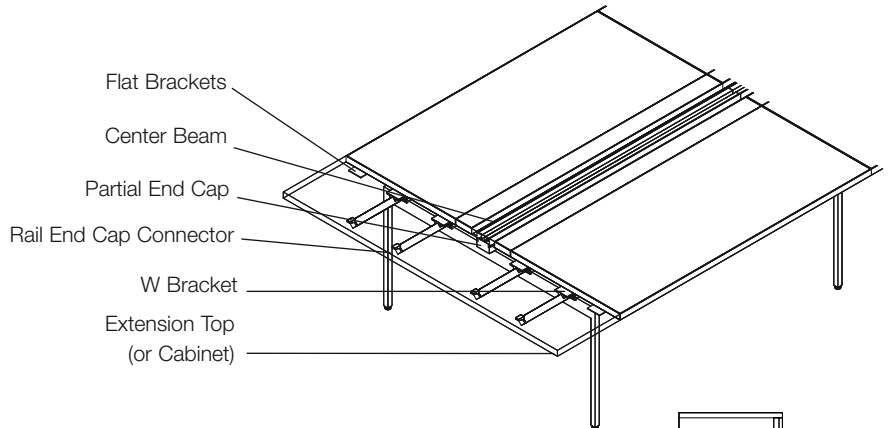
For a big table with 15"W extension top or cabinet, specify starter rails on both sides of the big table for the next 12" longer desk top and add connector kit YBTE. The YBTE kit includes four W brackets that join the top to the extension over the rails, four rail end caps that connect the ends of the rails to the underside of the extension and two flat brackets that align the front edges of the big table tops with the extension.

Big table end legs cannot be positioned under the extension top or an above big table extension cabinet because the leg must support the center beam between the big table tops.

Connector Kit (YBCDE) for Desk Extension Tops or Cabinets

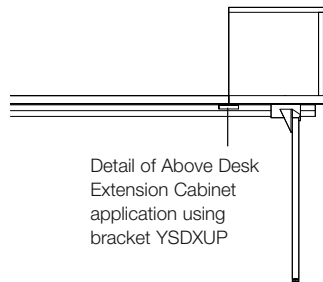


Connector Kit (YBTE) for Big Table Extension Tops or Cabinets



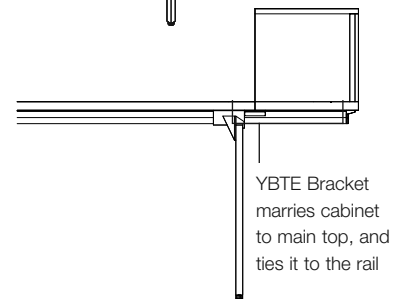
YBCDE Bracket marries top to cabinet and ties cabinet to rail when leg is under worksurface

Above Desk Extension Cabinet Elevation, Leg Under Worksurface



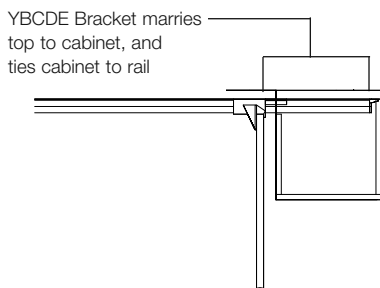
Detail of Above Desk Extension Cabinet application using bracket YSDXUP

Above Desk Extension Cabinet Elevation, Leg Under Cabinet



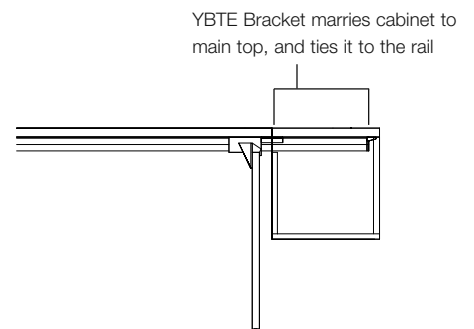
YBTE Bracket marries cabinet to main top, and ties it to the rail

Above Desk Extension Cabinet for Big Table Elevation



YBCDE Bracket marries top to cabinet, and ties cabinet to rail

Below Desk Extension Cabinet Elevation



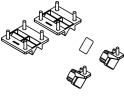
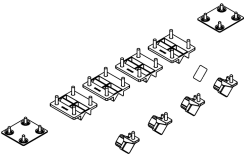
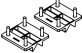
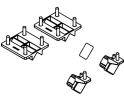
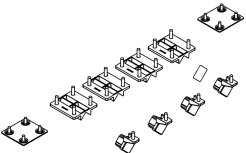
YBTE Bracket marries cabinet to main top, and ties it to the rail

Below Desk Extension Cabinet for Big Table Elevation

\*End Leg must stay under the Center Beam and can not be moved out to be placed under the extension top or cabinet

# Desk Connectors

## Connector Kit for Extension Tops and Cabinets

description	type	pattern no.	list
Connector Kit for Desk Extension Tops 	2 Brackets	<b>YBCDE</b>	\$50.
Connector Kit for Big Table Extension Tops 	4 Brackets	<b>YBTE</b>	114.
Connector Kit for Above Desk Extension Cabinets 	2 Brackets	<b>YSDXUP</b>	32.
Connector Kit for Above or Below Desk Extension Cabinets 	2 Brackets	<b>YBCDE</b>	50.
Connector Kit for Above and Below Big Table Extension Cabinets 	4 Brackets	<b>YBTE</b>	114.

Desk and Table Support

Ordering Information	Order Code	Included With	Options
<b>Desk Connectors</b> 1. Pattern Number 2. Paint Finish	<b>Desk Connectors</b> <i>Example:</i> <b>YBCDE, 118T</b> <b>YBC</b> Connector Kit <b>DE</b> Desk Extension <b>118T</b> Bright White Paint	<b>Desk Connectors</b> Brackets Hardware	<b>Desk Connectors</b>



# Desk Support Adapters

## Planning Guidelines and Specifications

Antenna desks can be supported by pedestals, floorstanding wood cabinets, Template storage units and Fence by using desk support adapters. Desk support adapters connect the desk rails to the supporting component.

### Pedestal Desk Support

Pedestal support adapter (YBATE25) supports a desk on top of a 25" high pedestal or floorstanding cabinet. Pedestal support adapters mount on the left side of a right-hand position standard width pedestal. Pedestal support adapters mount on the right side of a left-hand position pedestal. Pedestal support adapters also mount on the "inside" edge of a perpendicular 25" high floorstanding wood cabinet.

### Double Wide Pedestal Desk Support

For double wide metal pedestals or 25" high floorstanding wood cabinets parallel with a desk or return, specify kit YBAW25, which includes pedestal support adapters, positioning brackets and rail end connectors.

### Pedestal Positioning Brackets

Positioning brackets (YSFA) stabilize and maintain position of floorstanding 25" high pedestals under desk or big table rails when the pedestal is not integrated into the desk structure. Positioning brackets enable floorstanding pedestals to mount adjacent to end legs or other floorstanding pedestals that are connected to the desk with YBATE25 brackets. They are also applicable under bridge tops or tops supported by Fence or Template storage. Positioning brackets fasten with

screws into the holes in the top of the pedestal corresponding to desk support rails, or they may be adhered in position under the rails of a big table (adhesive not included in kit).

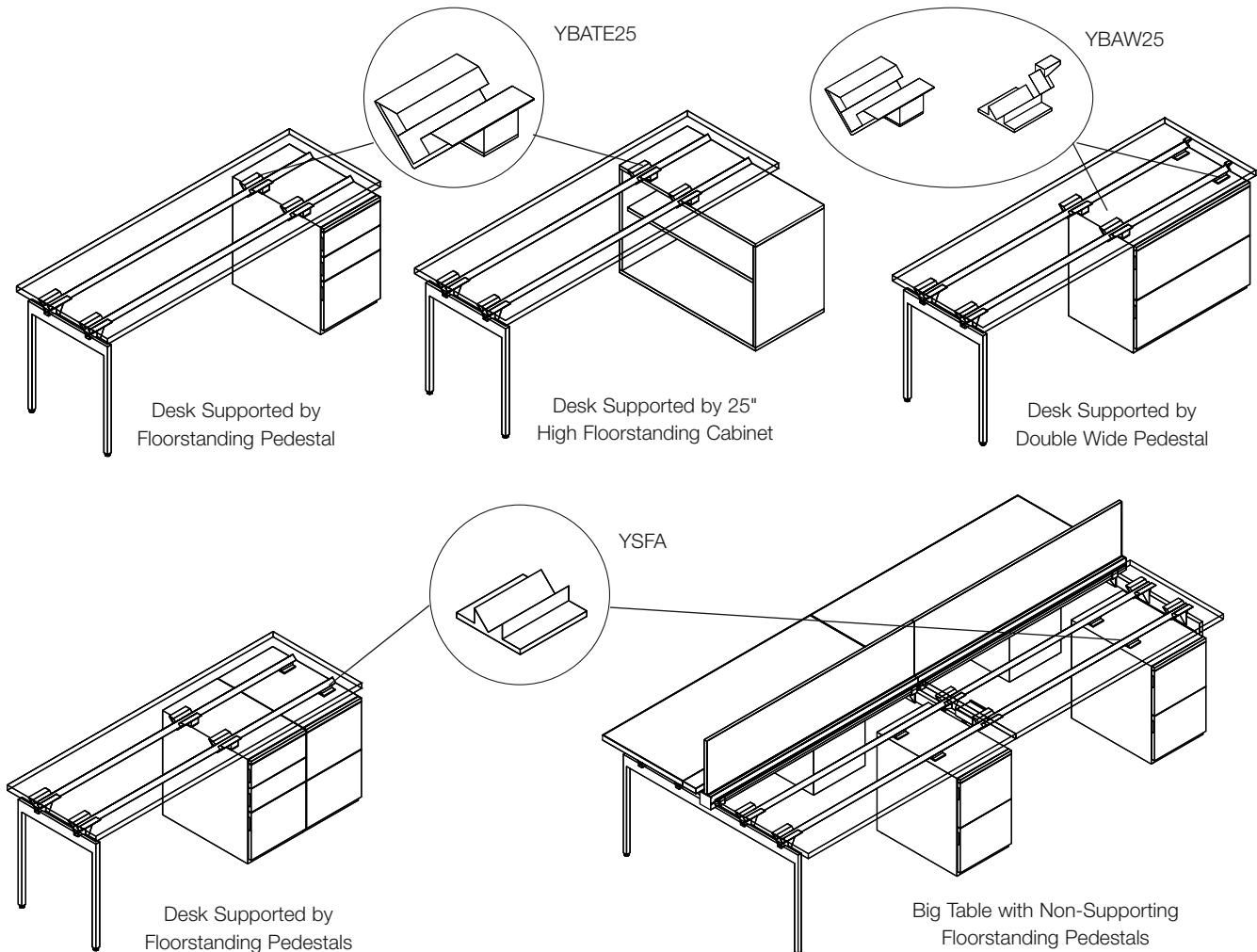
Ballast kits are still recommended for most floorstanding pedestal and double wide pedestal applications, but positioning brackets may make ballast unnecessary for pedestals in multiple-position big tables.

### Construction

Desk support adapters consist of painted, die cast aluminum cradles and brackets.

### Specification Options

Specify desk support adapters in any Knoll Core paint finish.



# Desk Support Adapters

## Planning Guidelines and Specifications

### Fence Desk Support

Fence desk support adapters are available for both 25" high (YBAFE25) and 28" high (YBAFE28) Fence applications when Antenna tops are mounted perpendicular to the fence wall.

### Template Desk Support

Template desk support adapters connect the end of Antenna desk rails to Template tops or worksurface shelves.

When supported by a 22" high Template cabinet or floorstanding wood cabinet, YBATE22 connects the front edge of the top to standard starter rails that are 3" less wide than the top.

When supported by a 25" high Template cabinet or floorstanding wood cabinet, YBATE25 connects the front edge of the top to standard starter rails 3" less wide than the top.

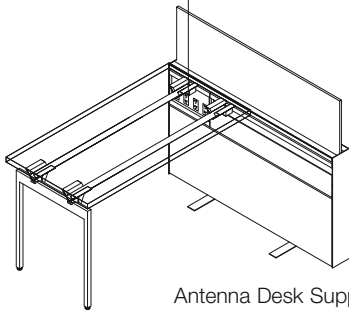
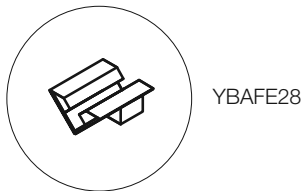
When supported by an adjacent 28" high Template cabinet, floorstanding open wood cabinet or the worksurface shelf of taller Template units, YBATE28 connects the underside of the top or shelf to starter rails 9" longer than the desktop (starter rails for a 12" longer desk).

### Construction

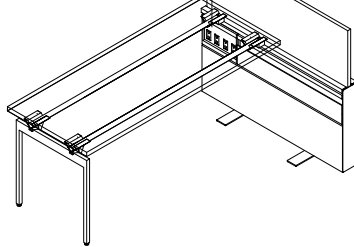
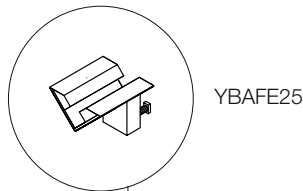
Desk support adapters consist of painted die cast aluminum cradles and brackets.

### Specification Options

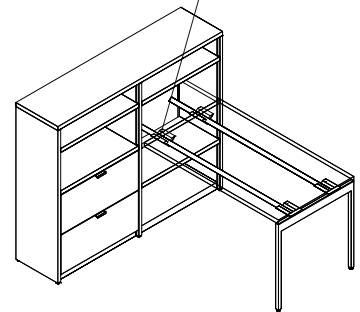
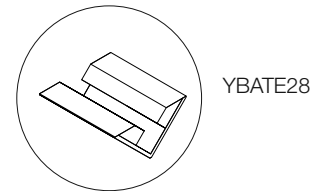
Specify desk support adapters in any Knoll Core paint finish.



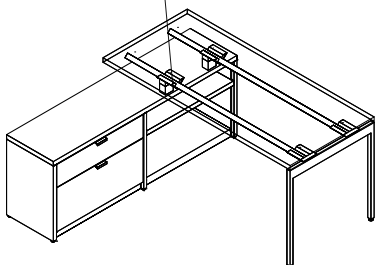
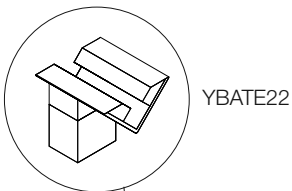
Antenna Desk Supported by 28 1/2" High Fence



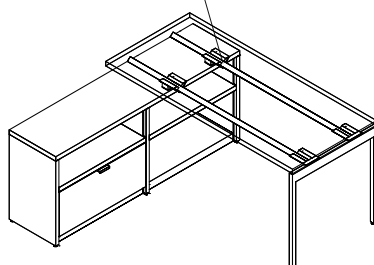
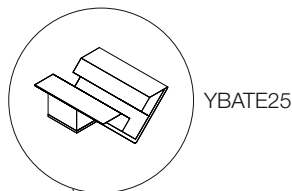
Antenna Desk Supported by 25" High Fence



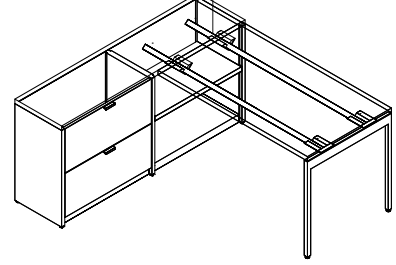
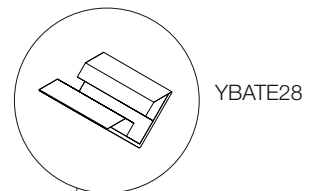
Desk Supported by 28 1/2" High Template Worksurface Shelf



Antenna Desk Supported by a 22" High Template Unit



Antenna Desk Supported by a 25" High Template Unit



Antenna Desk Supported by a 28 1/2" High Template Unit

# Desk Support Adapters

## Planning Guidelines and Specifications

### Template Big Table Support

Template desk support adapters for big table enable 22" or 25" high Template storage cabinets to support the end of a big table in place of an end leg. Template assembly must be at least 48" wide, centered under the end of the big table and equipped with laminate or veneer top. Template desk support adapters are not applicable in the center of a big table to take the place of an intermediate leg. Template/Anchor big table support adaptor work with 24" - 30"D big table tops.

Template desks support adapters for big table and 22" high Template include a steel tube, which matches the top cross member of an end leg, with standard cradles supporting the rails and brackets supporting the center beam. Steel tube is secured to the top of Template storage with steel plates and wood screws.

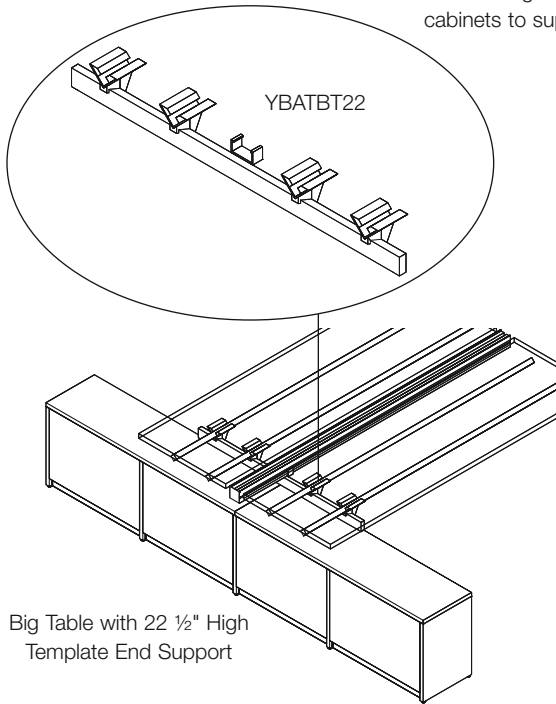
Template desk support adapters for big table and 25" high Template include a cast aluminum bracket on either side of the center beam and standard YBATE25 cradles securing the rails to the Template top. Desk support adapters may also be used with 25" high Antenna floorstanding wood cabinets to support the end of a big table.

### Construction

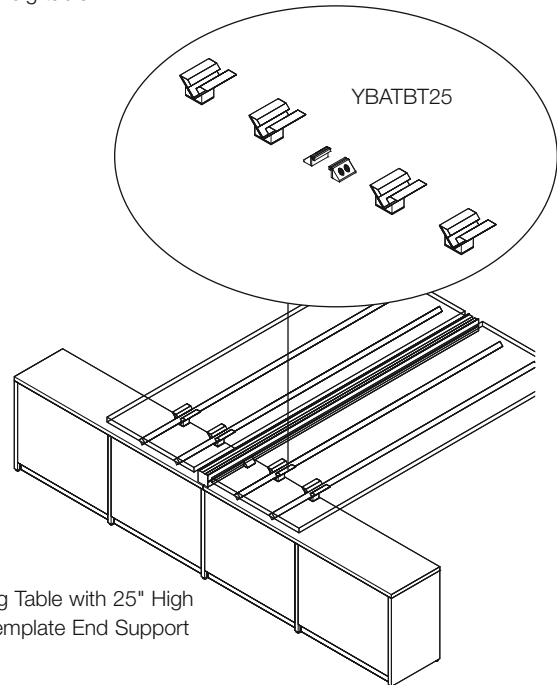
Desk support adapters consist of painted die cast aluminum cradles and brackets and steel cross member.

### Specification Options

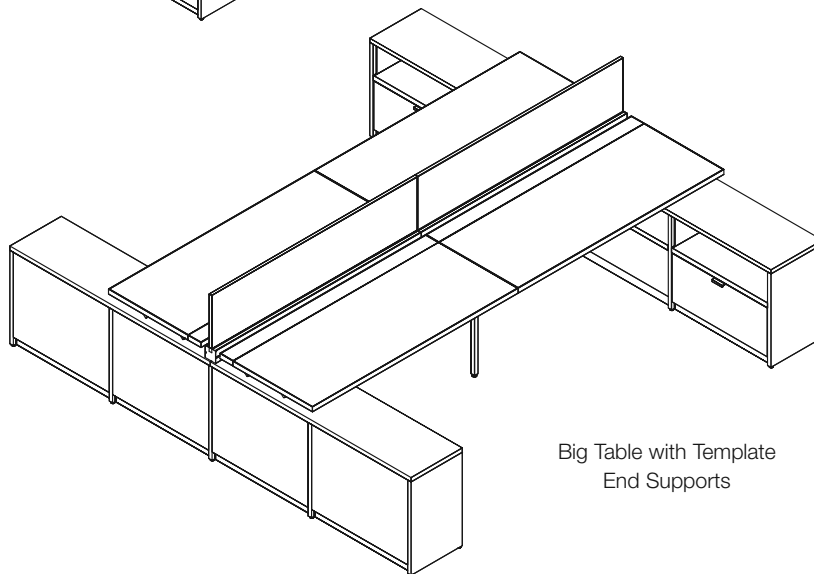
Specify desk support adapters in any Knoll Core paint finish.



Big Table with 22 1/2" High Template End Support



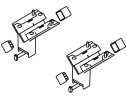
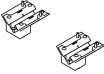

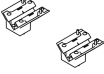
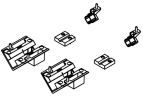
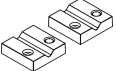
Big Table with 25" High Template End Support



Big Table with Template End Supports

# Desk Support Adapters

## For Fence, Template, Floorstanding Cabinets and Pedestals

description	type	w	d	h	pattern no.	list
 Fence Desk Support Adapters (pair)	For use with 25" High Fence	4"	3"	1 3/4"	<b>YBAFE25</b>	\$125.
	For use with 28 1/2" High Fence	4"	3"	3"	<b>YBAFE28</b>	125.
<i>(YBAFE25 shown)</i>						
 Template or Antenna Floorstanding Cabinet Desk Support Adapters (pair)	For use with 28 1/2" High Case or Worksurface Shelf	4"	3"	1 3/4"	<b>YBATE28</b>	120.
	For use with 25" High Case	4"	3"	3"	<b>YBATE25</b>	107.
	For use with 22 1/2" High Case (credenza height)	4"	3"	5 1/2"	<b>YBATE22</b>	131.
<i>(YBATE25 shown)</i>						
 Template or Antenna Floorstanding Cabinet Desk Support Adapters for Big Table	For use with 22 1/2" High Case (credenza height)				<b>YBATBT22</b>	627.
	For use with 25" High Case				<b>YBATBT25</b>	244.
<i>(YBATBT25 shown)</i>						
 Pedestal Desk Support Adapters (pair)	For use with Floorstanding 25" High Pedestal	4"	3"	3"	<b>YBATE25</b>	107.
<i>(YBATE25 shown)</i>						
 Double Wide Pedestal Desk Support Adapters (pair)	For use with Double Wide Pedestal	4"	3"	3"	<b>YBAW25</b>	138.
 Pedestal Positioning Brackets	Includes 2 brackets and hardware				<b>YSFA</b>	16.

Desk and Table Support

### Ordering Information

#### Desk Support Adaptors

1. Pattern Number
2. Paint Finish

### Order Code

#### Desk Support Adaptors

*Example:* **YBAFE25, 118T**

<b>YBA</b>	Adapter
<b>FE</b>	Fence
<b>25</b>	Height
<b>118T</b>	Bright White Paint

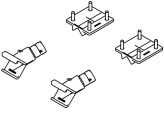
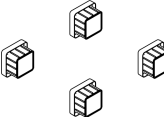
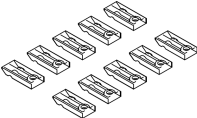

### Included With

Desk Support Adaptors  
Hardware

### Options

Desk Support Adaptors

## Connectors, End Caps, Worksurface Spacers and Flat Brackets

description	type	w	d	h	pattern no.	list
 Return or Bridge Rail Connector Kit (pair)	For Return or Bridge Connection	2"	1 1/4"	1 1/4"	<b>YBCRR</b>	\$73.
 Rail End Caps (Set of 4)	For End of Rails	1"	1/2"	1"	<b>YBRE</b>	32.
 Rail to Worksurface Spacers	Package of 10	1 3/4"	1/2"	1/4"	<b>YBCWS</b>	18.
 Flat Brackets Kit (pair)	For use with Adjacent Desks linking End-to-End or Back-to-Back	3"	2 3/4"	1/4"	<b>YBF</b>	13.

Ordering Information	Order Code	Included With	Options
<b>Components for Reconfiguration</b> 1. Pattern Number 2. Paint Finish	<b>Components for Reconfiguration</b> <i>Example:</i> <b>YBCRR, 118T</b> <b>YBC</b> Connector <b>RR</b> Rail to Return Rails <b>118T</b> Bright White Paint	<b>Components for Reconfiguration</b> Hardware	<b>Components for Reconfiguration</b>

# Center Beam for Big Tables

## Planning Guidelines and Specifications

Center beam for big table is an extruded aluminum beam shared between facing tops of a dual big table.

Center beam incorporates a continuous channel on the top for friction fit privacy screens or stanchion mounted storage, a channel on each side for cantilever shelves or monitor arms, and a channel on the bottom for suspended power and data components. Center beams are supported by end legs or intermediate legs, which also define a 1 1/4" accessory mount and wire drop space on either side of the beam.

Center beams are available in 6" increments from 36"-96" wide and correspond to big table top widths.

Center beams drilled for T-light cable have a hole drilled 12" from one end to allow the power cable to pass through the beam to the underside of the table.

Center beam top caps fill the top channel slot of a center beam when no screens are planned. When upmounted storage, screens or KnollExtra T-lights are mounted to the center beam, top caps can be trimmed in the field to fit around brackets. A full end cap is used to cover the exposed end of the center beam. A partial end cap is used to cover the lower end of the center beam when an extension top or cabinet is specified at the end of a big table. Center beam top caps and end caps are specified separately.

Dual and single sided big tables with 36" deep tops that are 54" or wider need a mid span support leg to provide center beam support.

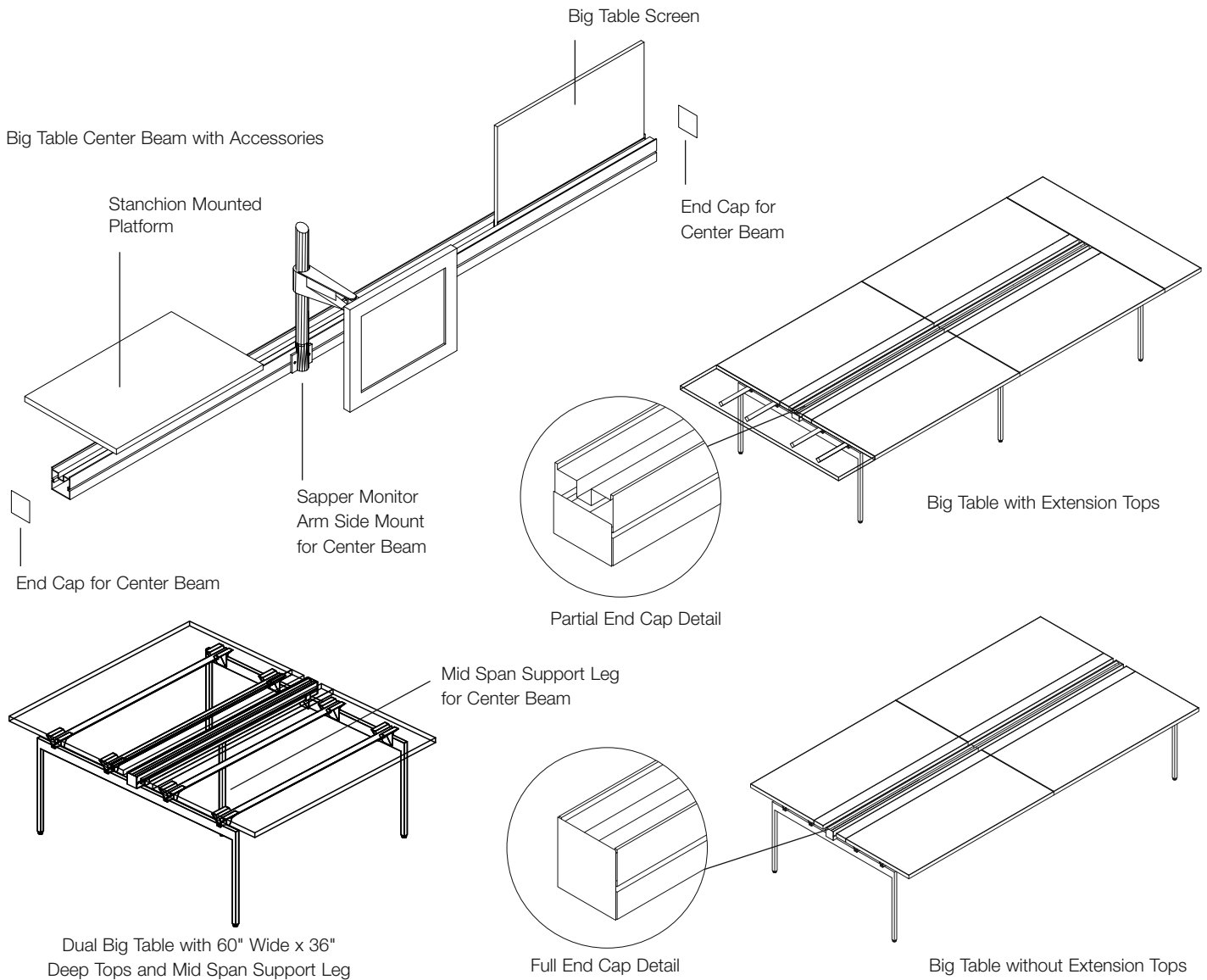
Mounting brackets and stanchions for storage, cantilever shelves and flat screen monitor arms must be specified separately.

### Construction

Center beam is an aluminum extrusion 3 1/4" high and 3" deep. Top caps are extruded plastic. End caps are cast aluminum.

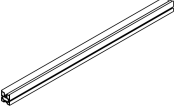
### Specifications Options

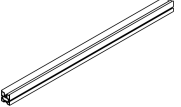
Center beams, end caps and top covers are available in any Knoll core, Dark Red or Slate Blue paint finish and must be specified separately.

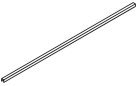


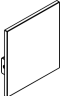
# Center Beam for Big Tables

## Center Beam, End Caps and Top Caps

description	type	w	d	h	pattern no.	list
Center Beam (no drilling for T-light cable) 	For 36" Wide Big Table Top	36"	3"	3 1/4"	<b>YCB36</b>	\$276.
	For 42" Wide Big Table Top	42"	3"	3 1/4"	<b>YCB42</b>	276.
	For 48" Wide Big Table Top	48"	3"	3 1/4"	<b>YCB48</b>	276.
	For 54" Wide Big Table Top	54"	3"	3 1/4"	<b>YCB54</b>	408.
	For 60" Wide Big Table Top	60"	3"	3 1/4"	<b>YCB60</b>	408.
	For 66" Wide Big Table Top	66"	3"	3 1/4"	<b>YCB66</b>	408.
	For 72" Wide Big Table Top	72"	3"	3 1/4"	<b>YCB72</b>	408.
	For 78" Wide Big Table Top	78"	3"	3 1/4"	<b>YCB78</b>	802.
	For 84" Wide Big Table Top	84"	3"	3 1/4"	<b>YCB84</b>	802.
	For 90" Wide Big Table Top	90"	3"	3 1/4"	<b>YCB90</b>	878.
For 96" Wide Big Table Top	96"	3"	3 1/4"	<b>YCB96</b>	878.	

Center Beam (Drilled for T-light cable) 	For 36" Wide Big Table Top	36"	3"	3 1/4"	<b>YCBT36</b>	309.
	For 42" Wide Big Table Top	42"	3"	3 1/4"	<b>YCBT42</b>	309.
	For 48" Wide Big Table Top	48"	3"	3 1/4"	<b>YCBT48</b>	309.
	For 54" Wide Big Table Top	54"	3"	3 1/4"	<b>YCBT54</b>	442.
	For 60" Wide Big Table Top	60"	3"	3 1/4"	<b>YCBT60</b>	442.
	For 66" Wide Big Table Top	66"	3"	3 1/4"	<b>YCBT66</b>	442.
	For 72" Wide Big Table Top	72"	3"	3 1/4"	<b>YCBT72</b>	442.
	For 78" Wide Big Table Top	78"	3"	3 1/4"	<b>YCBT78</b>	836.
	For 84" Wide Big Table Top	84"	3"	3 1/4"	<b>YCBT84</b>	836.
	For 90" Wide Big Table Top	90"	3"	3 1/4"	<b>YCBT90</b>	910.
For 96" Wide Big Table Top	96"	3"	3 1/4"	<b>YCBT96</b>	910.	

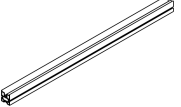
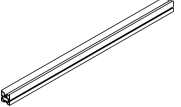
Center Beam Top Caps 	For 24" Wide Center Beam	24"	3"	3 1/4"	<b>YCBCC24</b>	43.
	For 30" Wide Center Beam	30"	3"	3 1/4"	<b>YCBCC30</b>	48.
	For 34", 35" and 36" Wide Center Beam	36"	3"	3 1/4"	<b>YCBCC36</b>	53.
	For 46", 47" and 48" Wide Center Beam	48"	3"	3 1/4"	<b>YCBCC48</b>	56.
	For 52", 53" and 54" Wide Center Beam	54"	3"	3 1/4"	<b>YCBCC54</b>	64.
	For 58", 59" and 60" Wide Center Beam	60"	3"	3 1/4"	<b>YCBCC60</b>	70.
	For 64", 65" and 66" Wide Center Beam	66"	3"	3 1/4"	<b>YCBCC66</b>	75.
	For 70", 71" and 72" Wide Center Beam	72"	3"	3 1/4"	<b>YCBCC72</b>	81.
	For 76", 77" and 78" Wide Center Beam	78"	3"	3 1/4"	<b>YCBCC78</b>	88.
	For 82", 83" and 84" Wide Center Beam	84"	3"	3 1/4"	<b>YCBCC84</b>	94.
	For 88", 89" and 90" Wide Center Beam	90"	3"	3 1/4"	<b>YCBCC90</b>	100.
	For 94", 95" and 96" Wide Center Beam	96"	3"	3 1/4"	<b>YCBCC96</b>	107.

Center Beam End Caps (Full Height Shown) 	Full Height	3"	3/8"	3 1/4"	<b>YCBE</b>	13.
	Partial Height For Use With Extension Top or Cabinets	3"	3/8"	2"	<b>YCBPE</b>	13.

Ordering Information	Order Code	Included With	Options
<b>Center Beam</b> 1. Pattern Number 2. Paint Finish	<b>Center Beam</b> <i>Example: YCB60, 118T</i> <b>YCB</b> Center Beam	Center Beam	Center Beam
<b>End Caps</b> 1. Pattern Number 2. Paint Finish	<b>60</b> Width <b>118T</b> Bright White Paint		
<b>Center Beam Top Caps</b> 1. Pattern Number 2. Paint Finish	<i>Example: YCBPE, 118T</i> <b>YCB</b> Center Beam <b>PE</b> Partial End <b>118T</b> Bright White Paint		

# Center Beam for Big Tables, Table Desk and Wide End Leg Antenna Workspaces

## Center Beam

description	type	w	d	h	pattern no.	list
Center Beam, End Position (no drilling for T-light cable) 	For 36" Wide Big Table Top	35"	3"	3 1/4"	<b>YCB35</b>	\$276.
	For 42" Wide Big Table Top	41"	3"	3 1/4"	<b>YCB41</b>	276.
	For 48" Wide Big Table Top	47"	3"	3 1/4"	<b>YCB47</b>	276.
	For 54" Wide Big Table Top	53"	3"	3 1/4"	<b>YCB53</b>	408.
	For 60" Wide Big Table Top	59"	3"	3 1/4"	<b>YCB59</b>	408.
	For 66" Wide Big Table Top	65"	3"	3 1/4"	<b>YCB65</b>	408.
	For 72" Wide Big Table Top	71"	3"	3 1/4"	<b>YCB71</b>	408.
	For 78" Wide Big Table Top	77"	3"	3 1/4"	<b>YCB77</b>	802.
	For 84" Wide Big Table Top	83"	3"	3 1/4"	<b>YCB83</b>	802.
	For 90" Wide Big Table Top	89"	3"	3 1/4"	<b>YCB89</b>	878.
For 96" Wide Big Table Top	95"	3"	3 1/4"	<b>YCB95</b>	878.	
Center Beam, Dual Back to Back (no drilling for T-light cable) 	For 36" Wide Big Table Top	34"	3"	3 1/4"	<b>YCB34</b>	276.
	For 42" Wide Big Table Top	40"	3"	3 1/4"	<b>YCB40</b>	276.
	For 48" Wide Big Table Top	46"	3"	3 1/4"	<b>YCB46</b>	276.
	For 54" Wide Big Table Top	52"	3"	3 1/4"	<b>YCB52</b>	408.
	For 60" Wide Big Table Top	58"	3"	3 1/4"	<b>YCB58</b>	408.
	For 66" Wide Big Table Top	64"	3"	3 1/4"	<b>YCB64</b>	408.
	For 72" Wide Big Table Top	70"	3"	3 1/4"	<b>YCB70</b>	408.
	For 78" Wide Big Table Top	76"	3"	3 1/4"	<b>YCB76</b>	802.
	For 84" Wide Big Table Top	82"	3"	3 1/4"	<b>YCB82</b>	802.
	For 90" Wide Big Table Top	88"	3"	3 1/4"	<b>YCB88</b>	878.
For 96" Wide Big Table Top	94"	3"	3 1/4"	<b>YCB94</b>	878.	

Desk and Table Support

Ordering Information	Order Code	Included With	Options
<b>Center Beam</b> 1. Pattern Number 2. Paint Finish	<b>Center Beam</b> <i>Example: YCB60, 118T</i> <b>YCB</b> Center Beam	Center Beam	Center Beam
<b>End Caps</b> 1. Pattern Number 2. Paint Finish	<b>60</b> Width <b>118T</b> Bright White Paint <b>End Caps</b>		
<b>Center Beam Top Caps</b> 1. Pattern Number 2. Paint Finish	<i>Example: YCBPE, 118T</i> <b>YCB</b> Center Beam <b>PE</b> Partial End <b>118T</b> Bright White Paint		



# Sapper Monitor Arm for Antenna Center beam

## Planning Guidelines and Specifications

### Sapper Monitor Arm Side and Center Mount for Antenna Center Beam

Sapper arm mounts for Antenna enable masts from the Sapper Monitor Arm Collection to mount on the side or top of the Antenna Big Table center beam. These mounts can convert Sapper masts from other mounting applications, such as two-piece desk clamps, for use at the center of the big table.

Antenna Workspaces was designed to provide a "wire drop" in most desk and big table applications, in which Sapper Monitor Arms can be mounted. For desk-based planning or

big tables without hinged tops, Sapper Monitor Arm masts can be attached to the back or end of a top with the standard two-piece clamp base. For hinged tops in Big Table applications, however, masts must be mounted on the center beam, and can be ordered as a complete kit in the KnollExtra Sapper Monitor Arm Collection with those mounting options.

The center beam side mount supports a mast on the side edge of the center beam, enabling independent positioning of one or more monitors and room for a center screen behind and a hinged access door or standard wire drop in front.

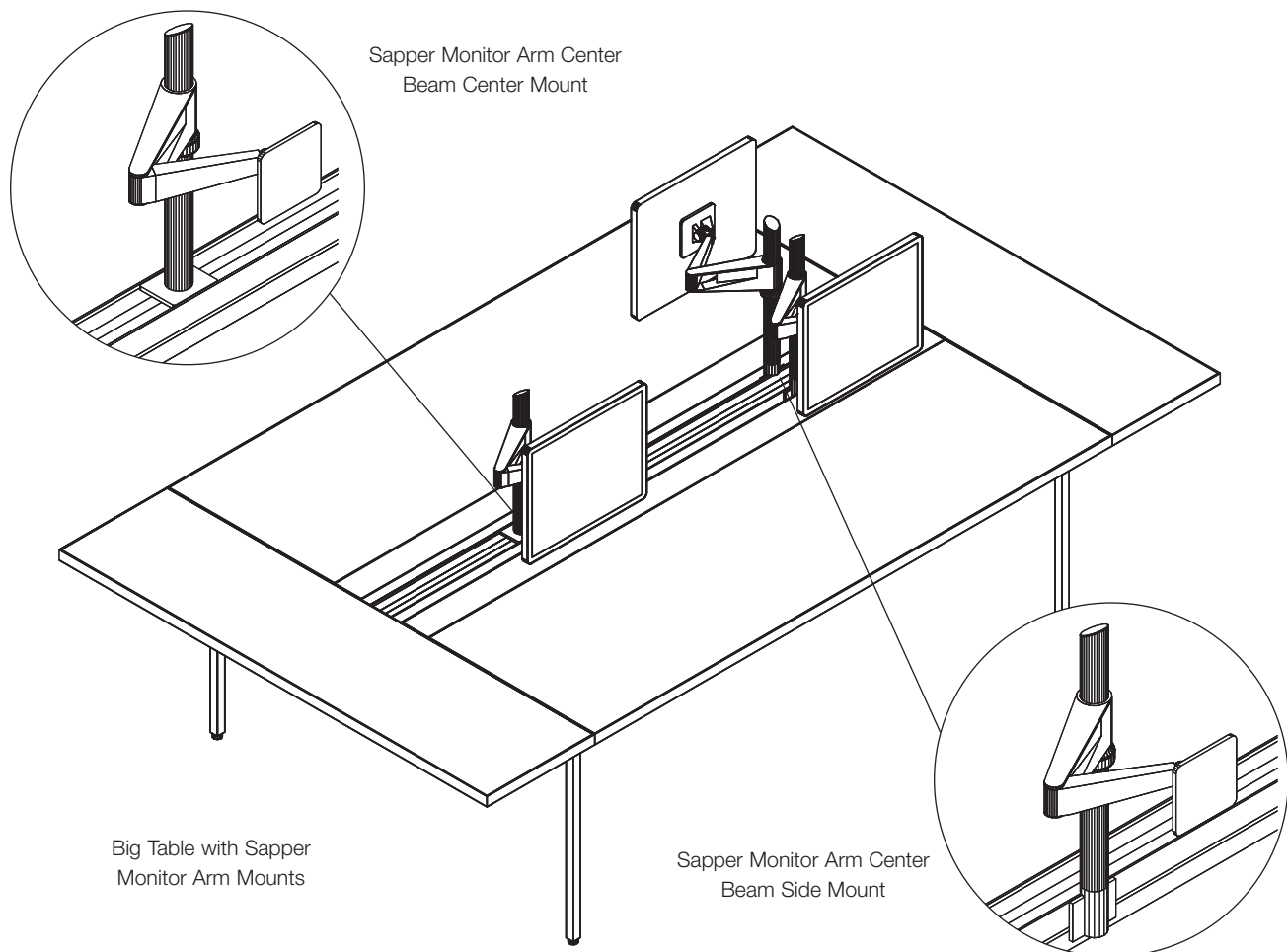
The center beam center mount supports a mast in the center top channel of the center beam, enabling shared use of the mast for monitor arms on both sides of the center beam. Center mount bracket occupies 4" of center beam in which screens or stanchions cannot be installed

### Construction

The Sapper mounts are cast aluminum and extruded aluminum. The Sapper center beam center mount is a painted steel plate.

### Specification Options

The Sapper mounts are available in any Knoll core paint finish, Dark Red or Slate Blue.



### Keyboard Tray Mounting Kit

The keyboard tray mounting kit enables any KnollExtra keyboard support with sliding track to attach to the underside of an Antenna Workspaces desk, table or big table. The mounting kit suspends the sliding track from the desktop to directly below the rails, with full keyboard adjustability and retractability.

Keyboard tray must be specified with a sliding track that is less than the depth of the top and anything below the top, such as a power harness or cable basket. For example under a 24" deep desk with a power harness the

track should be no deeper than 18", and the keyboard may be restricted in where it can rotate when retracted. Under a 30" deep big table top with centered power, the track should be no deeper than 26" to clear access to power and cable baskets. Under a table/desk without cable trays or power any keyboard support with track less deep than the top should fit.

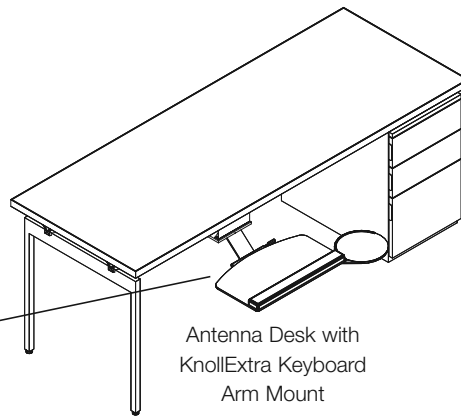
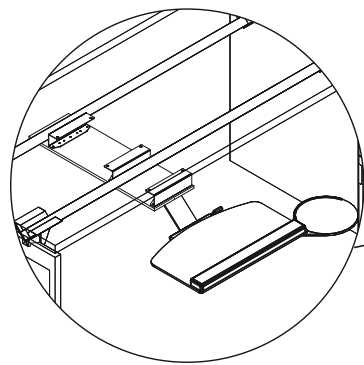
The keyboard tray mounting kit includes three black steel brackets that attach just below the front edge of the top and between the rails supporting the top.

### CPU Mounting Kit

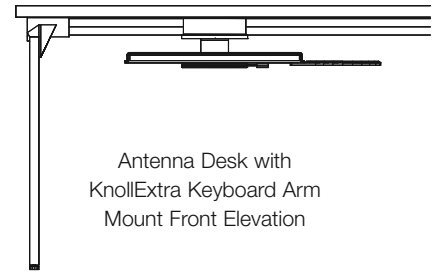
The CPU mounting kit enables most KnollExtra CPU frames to be mounted to the underside of Antenna desks or big tables. The mounting kit includes brackets that suspend the sliding track from the desktop to directly below the rails, enabling full CPU holder rotation and retractability. The mounting kit includes two black steel brackets that attach in front of and between the two steel rails in desk-based or big table planning. Any KnollExtra CPU can be mounted under a top deeper than the mounting track.

### Construction

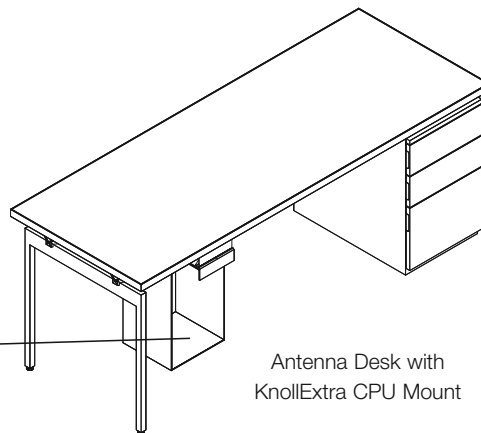
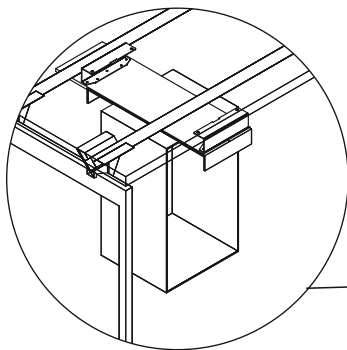
CPU and keyboard support mount kits are formed steel, painted black.



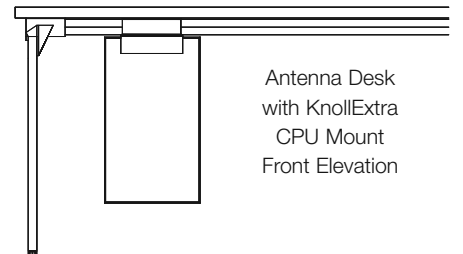
Antenna Desk with  
KnollExtra Keyboard  
Arm Mount



Antenna Desk with  
KnollExtra Keyboard Arm  
Mount Front Elevation



Antenna Desk with  
KnollExtra CPU Mount

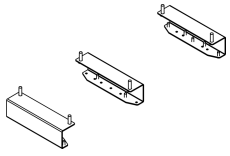


Antenna Desk  
with KnollExtra  
CPU Mount  
Front Elevation

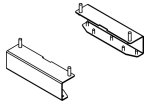
# Keyboard Tray and CPU Holder Mounts

## *For Desk and Big Tables*

description	type	w	d	h	pattern no.	list
KnollExtra Keyboard Tray Mount Kit	For attachment to underside of top	6"	1 1/4"	1 7/8"	<b>YAK</b>	\$114.

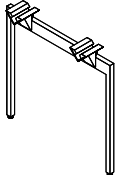


KnollExtra CPU Holder Mount Kit	For attachment to underside of top	6"	1 1/4"	1 7/8"	<b>YACPU</b>	75.
---------------------------------	------------------------------------	----	--------	--------	--------------	-----

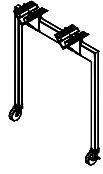


Ordering Information	Order Code	Included With	Options
<b>Keyboard Tray/CPU Holder Mount Kit</b>	<b>Keyboard Tray Mount Kit</b>	<b>Keyboard Tray Mount Kit</b>	Attachment Hardware
1. Pattern Number	<i>Example:</i> <b>YAK</b> <b>YAK</b> Keyboard Tray Mount	<b>CPU Holder Mount Kit</b>	Attachment Hardware

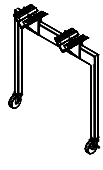
**Desk End Legs**



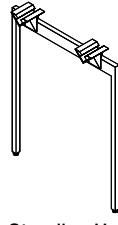
**Desk Height End Leg**  
Leg with Top: 28-1/2" High  
Leg: 27" High



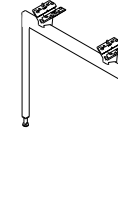
**Desk Height End Leg with Casters**  
Leg with Top: 28-1/2" High  
Leg: 27" High



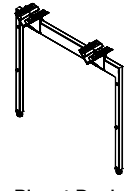
**Low Height End Leg with Casters**  
Leg with Top: 25" High  
Leg: 23-1/2" High



**Standing Height End Leg**  
Leg with Top: 36-1/2" High  
Leg: 35" High

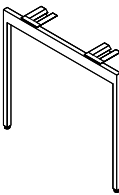


**Adjustable Height End Leg**  
Leg with Top: 28 1/2" - 31 1/2" High  
Leg: 27" - 30" High

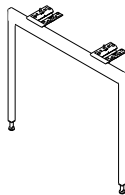


**Pinset Desk End Leg**  
Leg with Top: 27-1/2" - 36-1/2" High  
Leg: 26" - 35" High

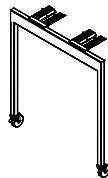
**Table Desk End Legs**



**Desk Height Table Desk End Leg**  
Leg with Top: 28-1/2" High  
Leg: 27" High

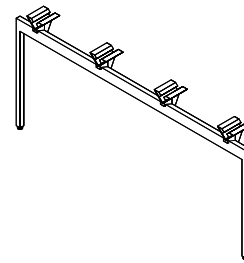


**Adjustable Height Table Desk End Leg**  
Leg with Top: 28 1/2" - 31 1/2" High  
Leg: 27" - 30" High

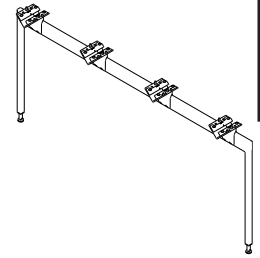


**Desk Height Table Desk End Leg with Casters**  
Leg with Top: 28-1/2" High  
Leg: 27" High

**Back to Back End Legs**



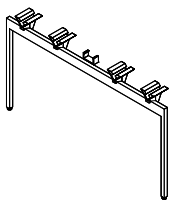
**Desk Height Back to Back Desk End Leg**  
Leg with Top: 28-1/2" High  
Leg: 27" High



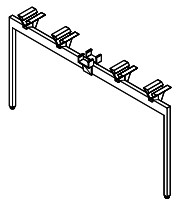
**Adjustable Height Back to Back Desk End Leg**  
Leg with Top: 28 1/2" - 31 1/2" High  
Leg: 27" - 30" High

Desk and Table Support

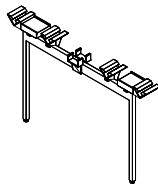
**Dual Big Table Legs**



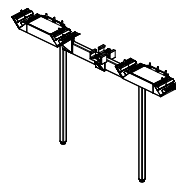
**Desk Height End Leg**  
Leg with Top: 28-1/2" High  
Leg: 27" High



**Desk Height Intermediate Leg**  
Leg with Top: 28-1/2" High  
Leg: 27" High



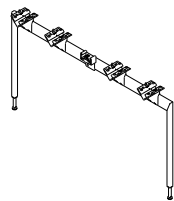
**Desk Height Inset Intermediate Leg**  
Leg with Top: 28-1/2" High  
Leg: 27" High



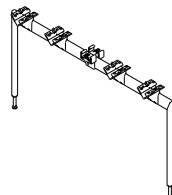
**Deep Inset Intermediate Leg**  
Leg with Top: 28-1/2" High  
Leg: 27" High



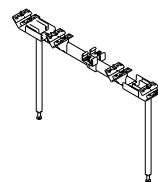
**Desk Height Mid Span Support Leg**  
Leg with Top: 28-1/2" High  
Leg: 27" High



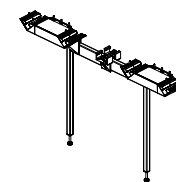
**Adjustable Height End Leg**  
Leg with Top: 28 1/2" - 31 1/2" High  
Leg: 27" - 30" High



**Adjustable Height Intermediate Leg**  
Leg with Top: 28 1/2" - 31 1/2" High  
Leg: 27" - 30" High



**Adjustable Height Inset Intermediate Leg**  
Leg with Top: 28 1/2" - 31 1/2" High  
Leg: 27" - 30" High

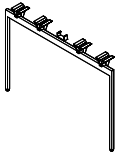


**Adjustable Height Deep Inset Intermediate Leg**  
Leg with Top: 28 1/2" - 31 1/2" High  
Leg: 27" - 30" High

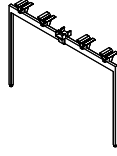


**Adjustable Height Mid Span Support Leg**  
Leg with Top: 28 1/2" - 31 1/2" High  
Leg: 27" - 30" High

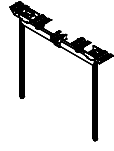
**36" Standing Height Dual Big Table Legs**



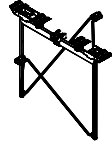
**36" Standing Height End Leg**  
Leg with Top: 36 1/2"  
Leg with Cradles: 35"  
Leg Weldmount: 33"



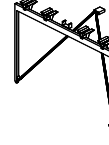
**36" Standing Height Intermediate Leg**



**36" Standing Height Inset Intermediate Leg**  
(24"/27"/30" dual only)

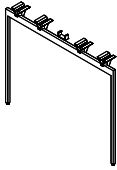


**36" Standing Height Intermediate Leg Brace**  
(shown with Inset Intermediate Leg)



**36" Standing Height End Leg Support Brace**  
(shown with Two Position End Leg)

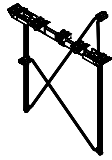
**42" Standing Height Dual Big Table Legs**



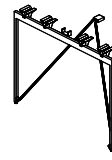
**42" Standing Height End Leg**  
Leg with Top: 42 1/2"  
Leg with Cradles: 41"  
Leg Weldmount: 39"



**42" Standing Height Inset Intermediate Leg**  
(24"/27"/30" dual only)

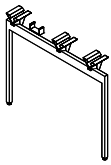


**42" Standing Height Inset Intermediate Leg Brace**  
(shown with Inset Intermediate Leg)

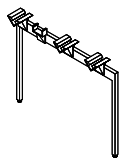


**42" Standing Height End Leg Support Brace**  
(shown with Two Position End Leg)

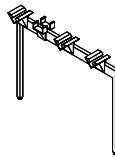
**Single Sided Big Table Legs**



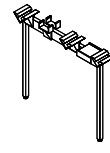
**Desk Height Left End Leg**  
Leg with Top: 28-1/2" High  
Leg: 27" High



**Desk Height Right End Leg**  
Leg with Top: 28-1/2" High  
Leg: 27" High



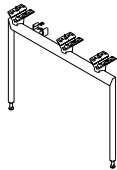
**Desk Height Intermediate Leg**  
Leg with Top: 28-1/2" High  
Leg: 27" High



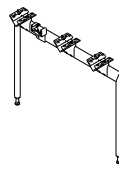
**Desk Height Inset Intermediate Leg**  
Leg with Top: 28-1/2" High  
Leg: 27" High



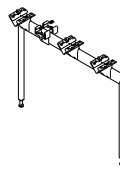
**Desk Height Mid Span Support Leg**  
Leg with Top: 28-1/2" High  
Leg: 27" High



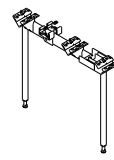
**Adjustable Height Left End Leg**  
Leg with Top: 28 1/2" - 31 1/2" High  
Leg: 27" - 30" High



**Adjustable Height Right End Leg**  
Leg with Top: 28 1/2" - 31 1/2" High  
Leg: 27" - 30" High



**Adjustable Height Intermediate Leg**  
Leg with Top: 28 1/2" - 31 1/2" High  
Leg: 27" - 30" High



**Adjustable Height Inset Intermediate Leg**  
Leg with Top: 28 1/2" - 31 1/2" High  
Leg: 27" - 30" High



**Adjustable Height Mid Span Support Leg**  
Leg with Top: 28 1/2" - 31 1/2" High  
Leg: 27" - 30" High

Desk height end legs are inverted U-shaped supports. End legs for desks are 3" less than corresponding desk top depth, inset 1 1/2" from front and back desk top edge.

Desk height end legs support a worksurface height of 28 1/2". Adjustable height desk end legs are also available for applications needing more than the 1 1/2" height adjustability provided by desk height end leg levelers. Adjustable height desk end legs support a worksurface height ranging from 28 1/2" - 31 1/2". Standing height end legs support a 36 1/2" high worksurface. Pinset end legs support a worksurface height ranging from 27 1/2" - 36 1/2".

Desk end legs are also available with casters (one locking, one non-locking). Desk height end legs with casters support a worksurface height of 28 1/2". Low desk height end legs with casters support a worksurface height of 24 1/2". When casters are required, the entire leg assembly with casters must be specified.

End legs include two cradles and two levelers. Cradles are V-shaped connectors with clamps that secure the rails at a diagonal over the leg and fasten the legs and rails to the top. Legs for 18" deep tops are for return applications only.

**Construction**

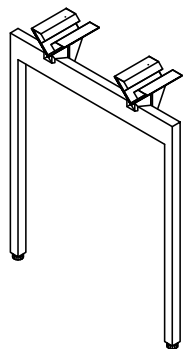
Desk end legs are 25" high steel weldments with 1" square legs and a 2 1/2" horizontal rail. Desk end legs include 2 1/2" levelers with 3/8" stems and continuous 1 1/2" adjustment range. Weldments for desk end legs with casters are 22" high. Low desk end leg weldments are 19" high. Adjustable desk end leg weldments are 25" high including 5" levelers with 5/8" stems and 3" continuous adjustment range. Standing height desk end leg weldments are 33" high including levelers with 1 1/2" height range. Pinset end leg weldments are 23" - 31" high including pinset adjustment of 9".

Cradles and clamps are cast aluminum with countersunk fasteners into legs, mating parts and top.

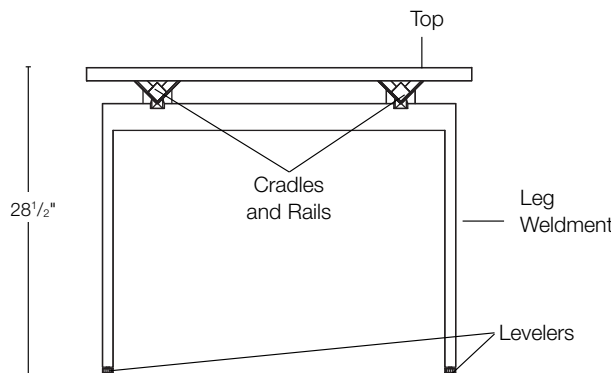
**Specification Options**

End legs are available in any Knoll core, Clear, Dark Red or Slate Blue paint finish. Specify cradle finish separately in any Knoll core, Clear, Dark Red or Slate Blue paint finish.

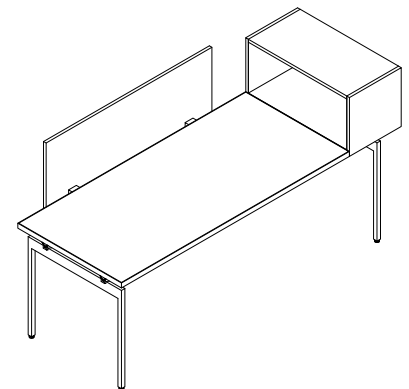
Desk and Table Support



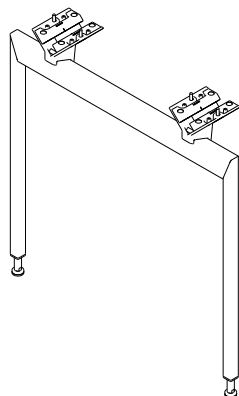
Desk Height End Leg



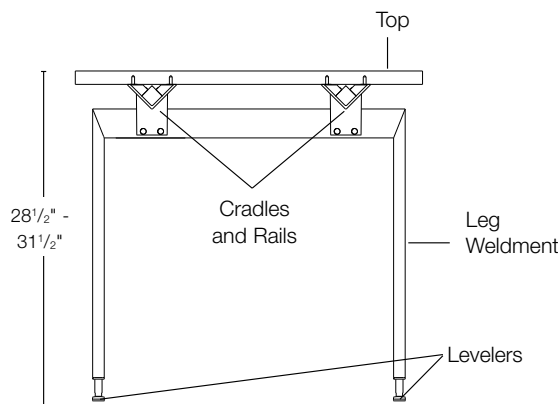
Desk Height End Leg End Elevation



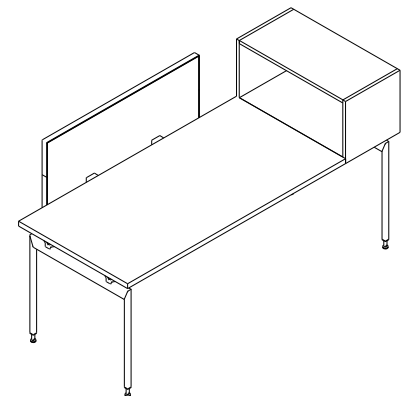
Desk with Desk Height End Legs, Above Desk Extension Cabinet and Screen



Adjustable Height End Leg



Adjustable Height End Leg End Elevation



Desk with Adjustable Height End Legs and Suspended File

# Legs for Desks or Returns

## Planning Guidelines and Specifications

Desk height end legs are inverted U-shaped supports. End legs for desks are 3" less than corresponding desk top depth, inset 1 1/2" from front and back desk top edge.

Desk height end legs support a worksurface height of 28 1/2". Adjustable height desk end legs are also available for applications needing more than the 1 1/2" height adjustability provided by desk height end leg levelers. Adjustable height desk end legs support a worksurface height ranging from 27" - 30". Standing height end legs support a 36 1/2" high worksurface. Pinset end legs support a worksurface height ranging from 27-1/2" - 36-1/2".

Desk end legs are also available with casters (one locking, one non-locking). Desk height end legs with casters support a worksurface height of 28-1/2". Low desk height end legs with casters support a worksurface height of 24-1/2". When casters are required, the entire leg assembly with casters must be specified.

End legs include two cradles and two levelers. Cradles are V-shaped connectors with clamps that secure the rails at a diagonal over the leg and fasten the legs and rails to the top. Legs for 18" deep tops are for return applications only.

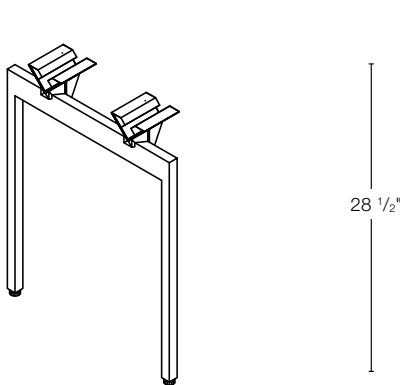
### Construction

Desk end legs are 25" high steel weldments with 1" square legs and a 2 1/2" horizontal rail. Desk end legs include 2 1/2" levelers with 3/8" stems and continuous 1 1/2" adjustment range. Weldments for desk end legs with casters are 22" high. Low desk end leg weldments are 19" high. Adjustable desk end leg weldments are 23" high including 5" levelers with 5/8" stems and 3" continuous adjustment range. Standing height desk end leg weldments are 33" high including levelers with 1 1/2" height range. Pinset end leg weldments are 23" - 31" high including pinset adjustment of 9".

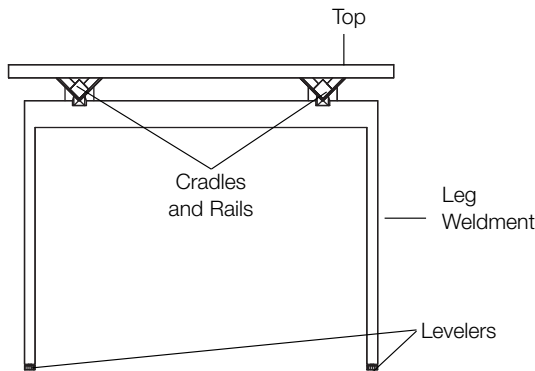
Cradles and clamps are cast aluminum with countersunk fasteners into legs, mating parts and top.

### Specification Options

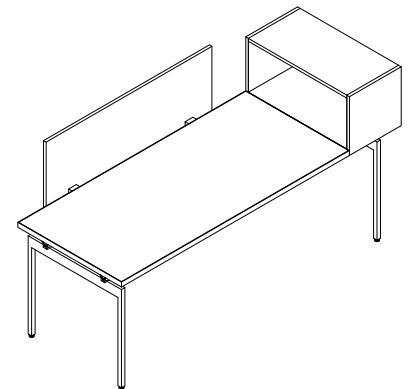
End legs are available in any Knoll core, Clear, Dark Red or Slate Blue paint finish. Specify cradle finish separately in any Knoll core, Clear, Dark Red or Slate Blue paint finish.



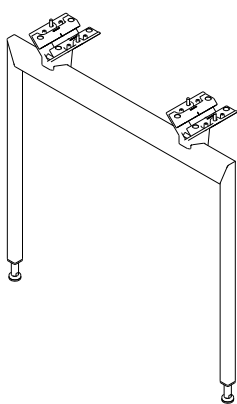
Desk Height End Leg



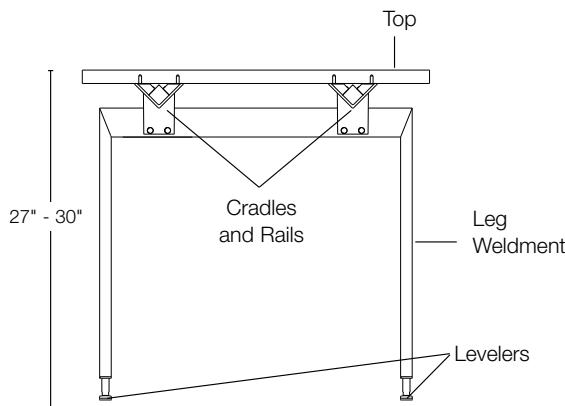
Desk Height End Leg End Elevation



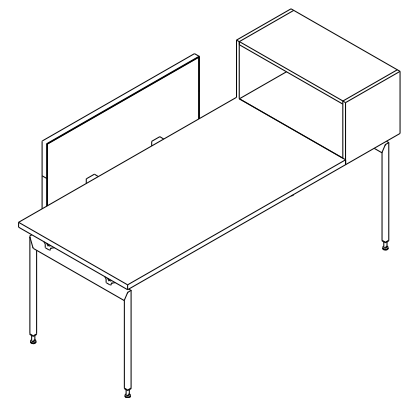
Desk with Desk Height End Legs, Above Desk Extension Cabinet and Screen



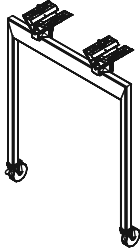
Adjustable Height End Leg



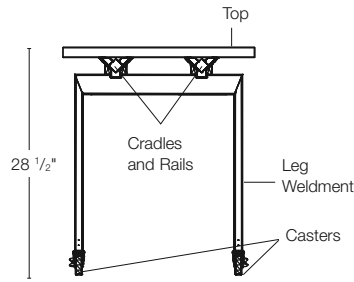
Adjustable Height End Leg End Elevation



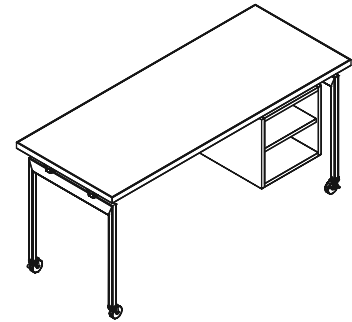
Desk with Adjustable Height End Legs and Suspended File



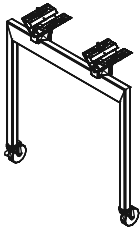
Desk Height End Leg with Casters



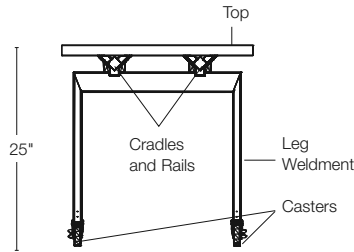
Desk Height End Leg with Casters End Elevation



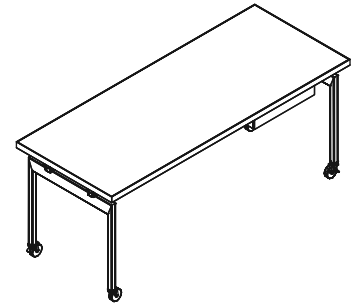
Desk with Desk Height End Legs with Casters and Suspended Open Cabinet



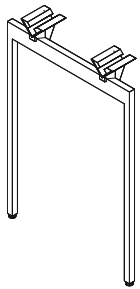
Low Desk Height End Leg with Casters



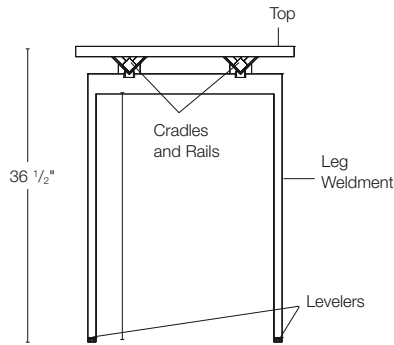
Low Desk Height End Leg with Casters End Elevation



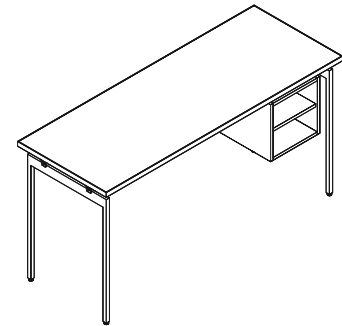
Desk with Low Desk Height End Legs with Casters and Suspended Open Cabinet



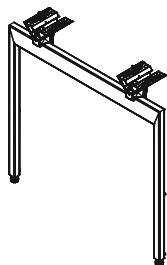
Standing Height End Leg



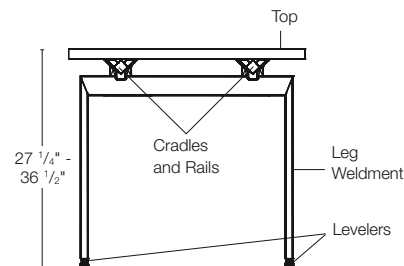
Standing Height End Leg End Elevation



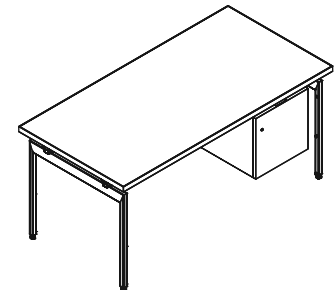
Desk with Standing Height End Legs and Suspended Open Cabinet



Pinset Desk End Leg



Pinset Desk End Leg End Elevation

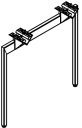
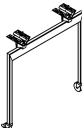
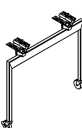
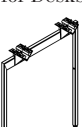
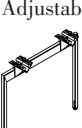


Desk with Pinset Desk End Legs and Suspended File




# Legs for Desks or Returns

## *Desk, Low Desk, Standing, Adjustable Height and Pinset*

description	type	d	w	h	pattern no.	list
 Desk Height End Legs for Desks or Returns	For 18" Deep Top	15"	1"	27"	<b>YELD18</b>	\$326.
	For 24" Deep Top	21"	1"	27"	<b>YELD24</b>	338.
	For 27" Deep Top	24"	1"	27"	<b>YELD27</b>	343.
	For 30" Deep Top	27"	1"	27"	<b>YELD30</b>	351.
	For 36" Deep Top	33"	1"	27"	<b>YELD36</b>	364.
	For 42" or 48" Deep Top	39"	1"	27"	<b>YELD42</b>	389.
 Desk Height End Legs with Casters for Desks or Returns	For 18" Deep Top	15"	1"	27"	<b>YELCD18</b>	371.
	For 24" Deep Top	21"	1"	27"	<b>YELCD24</b>	386.
	For 27" Deep Top	24"	1"	27"	<b>YELCD27</b>	391.
	For 30" Deep Top	27"	1"	27"	<b>YELCD30</b>	397.
	For 36" Deep Top	33"	1"	27"	<b>YELCD36</b>	410.
 Low Desk Height End Legs with Casters for Desks or Returns	For 18" Deep Top	15"	1"	23 1/2"	<b>YELCM18</b>	371.
	For 24" Deep Top	21"	1"	23 1/2"	<b>YELCM24</b>	386.
	For 27" Deep Top	24"	1"	23 1/2"	<b>YELCM27</b>	391.
	For 30" Deep Top	27"	1"	23 1/2"	<b>YELCM30</b>	397.
	For 36" Deep Top	33"	1"	23 1/2"	<b>YELCM36</b>	410.
 Standing Height End Legs for Desks or Returns	For 24" Deep Top	21"	1"	35"	<b>YELH24</b>	560.
	For 27" Deep Top	24"	1"	35"	<b>YELH27</b>	573.
	For 30" Deep Top	27"	1"	35"	<b>YELH30</b>	585.
	For 36" Deep Top	33"	1"	35"	<b>YELH36</b>	596.
	For 42" or 48" Deep Top	39"	1"	35"	<b>YELH42</b>	609.
 Adjustable Height End Legs for Desks or Returns	For 18" Deep Top	15"	1"	27" - 30"	<b>YEL2A18</b>	364.
	For 24" Deep Top	21"	1"	27" - 30"	<b>YEL2A24</b>	375.
	For 27" Deep Top	24"	1"	27" - 30"	<b>YEL2A27</b>	384.
	For 30" Deep Top	27"	1"	27" - 30"	<b>YEL2A30</b>	389.
	For 36" Deep Top	33"	1"	27" - 30"	<b>YEL2A36</b>	403.
	For 42" or 48" Deep Top	39"	1"	27" - 30"	<b>YEL2A42</b>	427.

Ordering Information	Order Code	Included With	Options
<b>End Legs for Desks/Returns</b>	<b>End Legs for Desks/Returns</b>	<b>End Legs for Desks/Returns</b>	<b>End Legs for Desks/Returns</b>
1. Pattern Number	<i>Example:</i> <b>YELD30, 118T, 118T</b>	(2) Glides or Casters	
2. Leg Paint Finish	<b>YEL</b> End Leg	(2) Cradles	
3. Cradle Paint Finish	<b>D</b> Desk Height	Attachment Hardware	
	<b>30</b> Depth		
	<b>118T</b> Bright White Paint		
	<b>118T</b> Bright White Paint		

*Desk, Low Desk, Standing, Adjustable Height and Pinset*

description	type	d	w	h	pattern no.	list
	For 24" Deep Top	21"	1"	26"-35"	<b>YELP24</b>	\$571.
	For 27" Deep Top	24"	1"	26"-35"	<b>YELP27</b>	577.
	For 30" Deep Top	27"	1"	26"-35"	<b>YELP30</b>	583.
	For 36" Deep Top	33"	1"	26"-35"	<b>YELP36</b>	595.

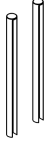
Desk and Table Support

Ordering Information	Order Code	Included With	Options
<b>End Legs for Desks/Returns</b> 1. Pattern Number 2. Leg Paint Finish 3. Cradle Paint Finish	<b>End Legs for Desks/Returns</b> <i>Example:</i> <b>YELD30, 118T, 118T</b> <b>YEL</b> End Leg <b>D</b> Desk Height <b>30</b> Depth <b>118T</b> Bright White Paint <b>118T</b> Bright White Paint	<b>End Legs for Desks/Returns</b> (2) Glides or Casters (2) Cradles Attachment Hardware	<b>End Legs for Desks/Returns</b>

# Legs for Desks or Returns

## *Desk Height Wood Wrap*

description	type	d	w	h	pattern no.	list
Wood wrap for Desk Height End Leg, Pair		1 3/4"	1 3/4"	25"	<b>YELDW</b>	\$328.



### Ordering Information

Wood wrap for Desk  
Height End Leg, Pair

1. Pattern Number

### Order Code

Wood Wrap for Desk Height  
End Leg, Pair

*Example:* **YELDW**

**YEL** End Leg

**W** Wood Wrap

### Included With

Wood Wrap for Desk Height  
End Leg, Pair

Attachment tape

### Options

Wood Wrap for Desk  
Height End Leg, Pair

Table desk end legs are 27" high inverted U-shape supports. Unlike desk end legs that attach to the underside of rails, table desk end legs capture the ends of the rails. End legs for tables can only be installed at the end of a desk top and are taller than standard end legs, so knees can fit under the end of the table. End legs for tables are the same overall depth as corresponding tops. End legs include two cradles and two levelers. Cradles are V-shaped connectors with clamps that secure the rails at a diagonal over the leg and fasten the legs and rails to the top.

End legs for tables are designed for end support of freestanding tables or returns only. Desk height table desk end legs support a worksurface height of 28 1/2". Adjustable height table desk end legs are also available

for applications needing more than the 1 1/2" height adjustability provided by desk height table desk end leg levelers. Adjustable height table desk end legs support a worksurface height ranging from 28 1/2" - 31 1/2". Legs for 18" deep tops are for return applications only.

Desk end legs are also available with casters. Desk height end legs with casters support a worksurface height of 28-1/2". When casters are required, the entire leg assembly with casters must be specified.

### Construction

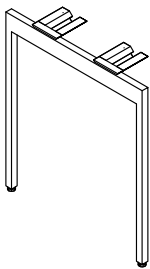
Table desk end legs are steel 27" high weldments with 1" square legs and a 2 1/2" horizontal rail. Legs include 2 1/2" levelers with 3/8" stems and continuous 1 1/2" adjustment range. Weldments for table desk legs with casters are 24" high.

Adjustable table leg weldments are 27" - 30" high including 5" levelers with 5/8" stems and 3" continuous adjustment range. Weldments for table desk legs with casters are 24" high.

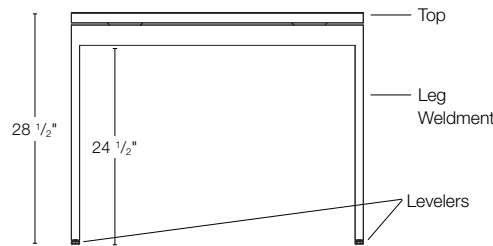
Cradles and clamps are cast aluminum with countersunk fasteners into legs, mating parts and top.

### Specification Options

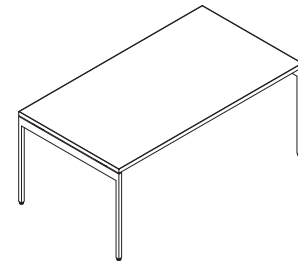
Table desk end legs can be specified in chrome or any Knoll core, Clear, Dark Red, or Slate Blue paint finish. Specify cradle finish separately in any Knoll core, Clear, Dark Red or Slate Blue paint finish.



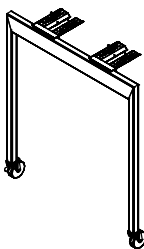
Desk Height Table Desk End Leg



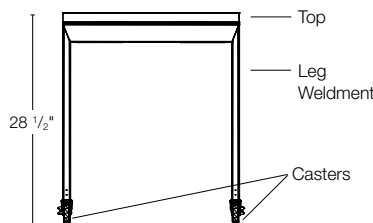
Desk Height Table End Elevation



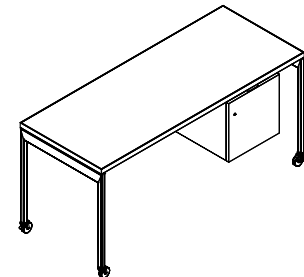
Desk Height Table Desk



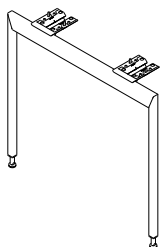
Desk Height Table Desk End Leg with Casters



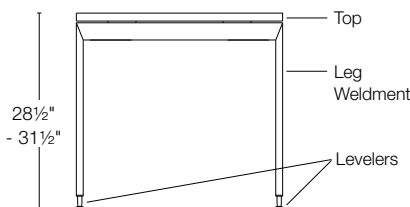
Desk Height Table Desk End Leg with Casters End Elevation



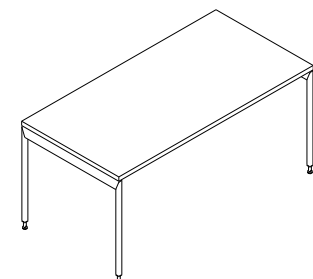
Desk with Desk Height Table Desk End Legs with Casters and Suspended File Cabinet



Adjustable Height Table Desk End Leg



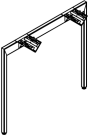
Adjustable Height Table Desk End Leg End Elevation

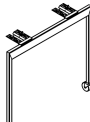



Desk with Adjustable Height Table Desk End Legs with Screen

# Legs for Table Desks

## Desk and Adjustable Height

description	type	w	d	h	pattern no.	Painted	Chrome
 Desk Height End Legs for Table Desks	For 18" Deep Top	1"	18"	27"	<b>YELSD18</b>	\$351.	\$551.
	For 24" Deep Top	1"	24"	27"	<b>YELSD24</b>	364.	567.
	For 27" Deep Top	1"	27"	27"	<b>YELSD27</b>	369.	626.
	For 30" Deep Top	1"	30"	27"	<b>YELSD30</b>	375.	635.
	For 36" Deep Top	1"	36"	27"	<b>YELSD36</b>	389.	699.
	For 42" Deep Top	1"	42"	27"	<b>YELSD42</b>	408.	748.
	For 48" Deep Top	1"	48"	27"	<b>YELSD48</b>	413.	789.

 Desk Height End Legs with Casters for Table Desks	For 24" Deep Top	1"	24"	27"	<b>YELSCD24</b>	397.	n/a
	For 27" Deep Top	1"	27"	27"	<b>YELSCD27</b>	410.	n/a
	For 30" Deep Top	1"	30"	27"	<b>YELSCD30</b>	416.	n/a
	For 36" Deep Top	1"	36"	27"	<b>YELSCD36</b>	422.	n/a
	For 42" Deep Top	1"	42"	27"	<b>YELSCD42</b>	434.	n/a
	For 48" Deep Top	1"	48"	27"	<b>YELSCD48</b>	455.	n/a

 Adjustable Height End Legs for Table Desks	For 18" Deep Top	1"	18"	27" - 30"	<b>YEL2SA18</b>	389.	n/a
	For 24" Deep Top	1"	24"	27" - 30"	<b>YEL2SA24</b>	403.	n/a
	For 27" Deep Top	1"	27"	27" - 30"	<b>YEL2SA27</b>	408.	n/a
	For 30" Deep Top	1"	30"	27" - 30"	<b>YEL2SA30</b>	413.	n/a
	For 36" Deep Top	1"	36"	27" - 30"	<b>YEL2SA36</b>	427.	n/a
	For 42" Deep Top	1"	42"	27" - 30"	<b>YEL2SA42</b>	445.	n/a
	For 48" Deep Top	1"	48"	27" - 30"	<b>YEL2SA48</b>	453.	n/a

### Ordering Information

#### End Legs for Desks/Returns

1. Pattern Number
2. Leg Paint Finish
3. Cradle Paint Finish

### Order Code

#### End Legs for Table Desks

*Example:* **YELSD30, 118T, 118T**

<b>YEL</b>	End Leg
<b>S</b>	Table Desk
<b>D</b>	Desk Height
<b>30</b>	Depth
<b>118T</b>	Bright White Paint
<b>118T</b>	Bright White Paint

### Included With

#### End Legs for Table Desks

- (2) Glides or Casters
- (2) Cradles
- Attachment Hardware

### Options

#### End Legs for Table Desks

##### Finish Options:

Table Desk End Legs are available in Knoll core paints, Clear (138), Dard Red (130) and Slate Blue (131) paint finishes, as well as polished chrome (PD) finish.

# Legs for Back to Back Desks

## Planning Guidelines and Specifications

End legs for back to back desks are 25" high inverted U-shape supports. A back to back desk end leg supports one end of back to back desk end leg supports one end of back to back tops or can be shared between adjacent pairs of back to back tops. End legs include two cradles and two levelers. Cradles are V-shaped connectors with clamps that secure the rails at a diagonal over the leg and fasten the legs and rails to the top. End legs also include two levelers.

End legs are normally positioned 1 1/2" from the end of the tops, but maybe inset for suspended storage.

Designed to create a 3 3/4" space between the back-to-back tops for a desk mounted screen and wire drops on each side, dual end legs are inset 1 1/2" from the front edges of the

tops creating an overall depth 3/4" less than the sum of corresponding back to back top depths. Shared screens can be positioned no closer to the end of the tops than 3".

Desk height back to back desk end legs support a worksurface height of 28 1/2". Adjustable back to back desk end legs are also available for applications needing more than the 1 1/2" height adjustability provided by desk height back to back desk end leg levelers. Adjustable height back to back desk end legs support a worksurface height ranging from 28 1/2" - 31 1/2". Hinged tops are not compatible with back to back desk legs.

### Construction

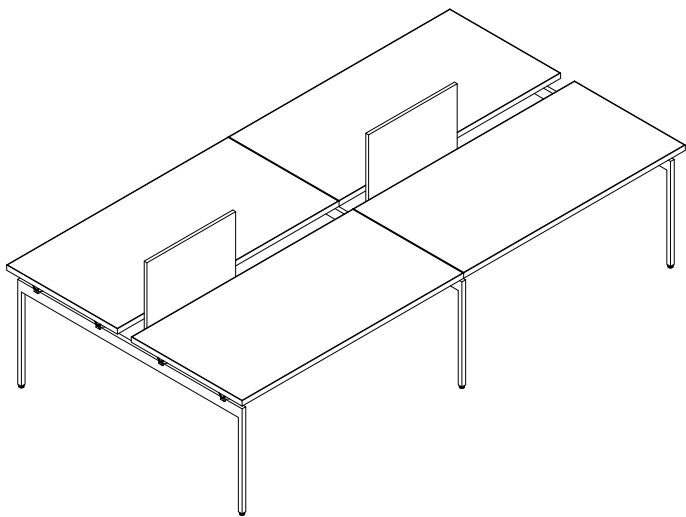
Back to back desk end legs are 25" high steel weldments with 1" square legs and a 2 1/2" horizontal rail. Legs include 2 1/2" levelers with 3/8" stems and continuous 1 1/2" adjustment range. Adjustable back to back desk leg weldments are 25" high including 5" levelers with 5/8" stems and 3" continuous adjustment range.

Cradles and clamps are cast aluminum with countersunk fasteners into legs, mating parts and top.

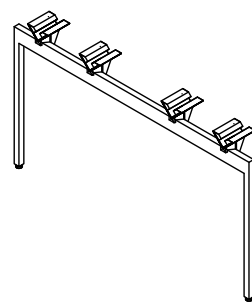
### Specification Options

Back to back desk end legs can be specified in any Knoll core, Clear, Dark Red, or Slate Blue paint finish. Specify cradle finish separately in any Knoll core, Clear, Dark Red or Slate Blue paint finish.

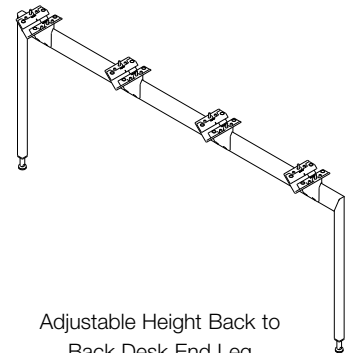
Desk and Table Support



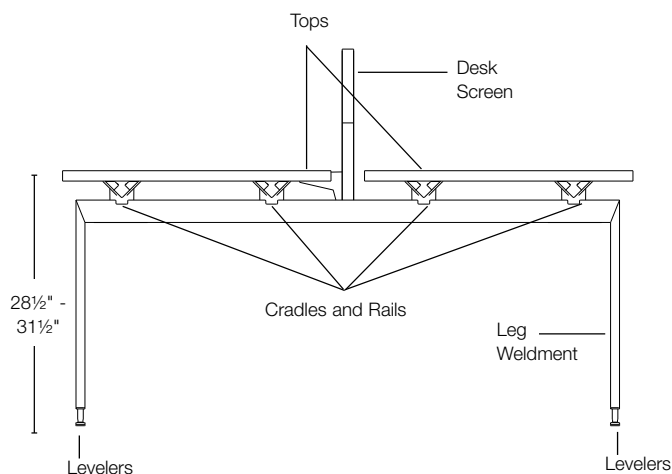
Desk Height Back to Back Desk with Screens



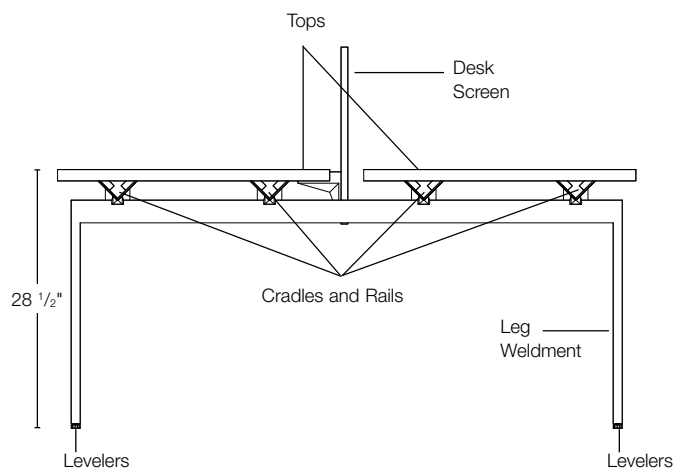
Desk Height Back to Back Desk End Leg



Adjustable Height Back to Back Desk End Leg



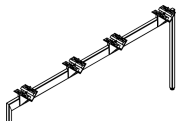
Adjustable Height Back to Back Desk End Leg End Elevation

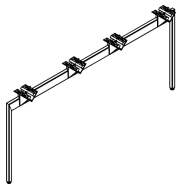


Desk Height Back to Back Desk End Elevation

# Legs for Back to Back Desks

## *Desk Height and Adjustable Height*

description	type	w	d	h	pattern no.	list
	For 18" Deep Back to Back Tops	1"	36 <sup>3</sup> / <sub>4</sub> "	27"	<b>YELDD18</b>	\$501.
	For 24" Deep Back to Back Tops	1"	48 <sup>3</sup> / <sub>4</sub> "	27"	<b>YELDD24</b>	528.
	For 27" Deep Back to Back Tops	1"	54 <sup>3</sup> / <sub>4</sub> "	27"	<b>YELDD27</b>	551.
	For 30" Deep Back to Back Tops	1"	60 <sup>3</sup> / <sub>4</sub> "	27"	<b>YELDD30</b>	566.
	For 36" Deep Back to Back Tops	1"	72 <sup>3</sup> / <sub>4</sub> "	27"	<b>YELDD36</b>	578.

description	type	w	d	h	pattern no.	list
	For 18" Deep Back to Back Tops	1"	36 <sup>3</sup> / <sub>4</sub> "	27" - 30"	<b>YEL2DA18</b>	539.
	For 24" Deep Back to Back Tops	1"	48 <sup>3</sup> / <sub>4</sub> "	27" - 30"	<b>YEL2DA24</b>	566.
	For 27" Deep Back to Back Tops	1"	54 <sup>3</sup> / <sub>4</sub> "	27" - 30"	<b>YEL2DA27</b>	589.
	For 30" Deep Back to Back Tops	1"	60 <sup>3</sup> / <sub>4</sub> "	27" - 30"	<b>YEL2DA30</b>	601.
	For 36" Deep Back to Back Tops	1"	72 <sup>3</sup> / <sub>4</sub> "	27" - 30"	<b>YEL2DA36</b>	616.

### Ordering Information

#### End Legs for Back to Back Desks

1. Pattern Number
2. Leg Paint Finish
3. Cradle Paint Finish

### Order Code

#### End Legs for Back to Back Desks

*Example:* **YELDD30, 118T, 118T**

<b>YEL</b>	End Leg
<b>D</b>	Back to Back Desk
<b>D</b>	Desk Height
<b>30</b>	Depth
<b>118T</b>	Bright White Paint
<b>118T</b>	Bright White Paint

### Included With

#### End Legs for Back to Back Desks

- (2) Glides
- (4) Cradles
- Attachment Hardware

### Options

#### End Legs for Back to Back Desks

# Legs for Dual Sided Big Tables

## Planning Guidelines and Specifications

Desk height end legs for dual big tables are 25" high inverted U-shape supports for use at the ends of big table configurations. Big table end legs include four cradles, support for the center beam and two levelers.

Cradles are V-shaped connectors with clamps that secure the rails over the leg and fasten the legs and rails to the top.

Intermediate legs for big tables are 25" high and are shared between adjacent tops. Big table intermediate legs include four cradles, support for the center beam, and two levelers.

Big table end legs and intermediate legs are always 50 1/2" deep, for 24", 27" or 30" top depths. They are inset 1 1/2" from front edge of 24"D tops, 4 1/2" from front edge of 27"D tops and 7 1/2" from front of 30"D tops. End legs and intermediate legs for 18" deep tops are 38 1/2" deep and inset 1 1/2" from the front edge of the top. End legs and intermediate legs for

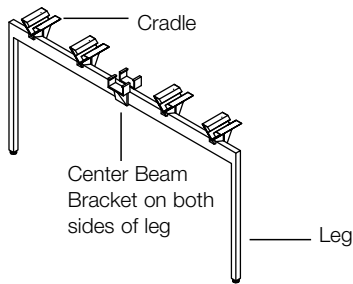
36" deep tops are 62 1/2" deep, so they are inset 7 1/2" from front edge of top. End legs can be positioned up to 6" in from the ends of a big table and intermediate legs must be mounted directly under the joint of two tops.

Inset intermediate legs for big tables are 25" high and are shared between adjacent tops. They offer more knee space than standard intermediate legs. Big table inset intermediate legs include four cradles, support for the center beam, and two levelers. Inset intermediate leg overall depth is 35 1/2", for 24", 27" or 30" top depths. They are recessed 9" from front edge of 24"D tops, 12" from front edge of 27"D tops, and 15" from front of 30"D tops. Inset intermediate legs for 36" deep tops are 47 1/2" deep, so they are recessed 15" from front edge of top. Inset intermediate legs are not available for 18" deep big tables.

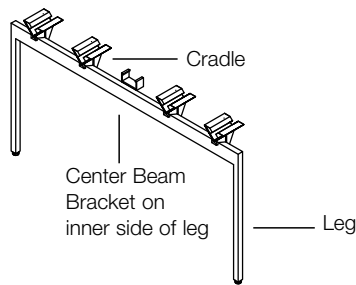
When big tables are specified with 36" deep tops 54" or wider, a mid span support for center beam must be specified.

Desk height end legs, intermediate legs and inset intermediate legs 25" high support a worksurface height of 28 1/2". Adjustable height end legs, intermediate legs and inset intermediate legs 25"H support worksurface height from 28 1/2" - 31 1/2".

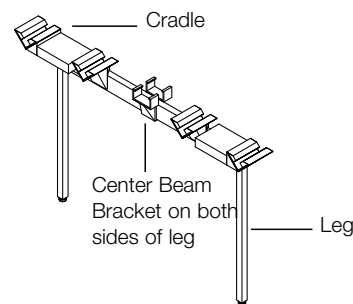
Deep inset intermediate legs are 25" high and are shared between adjacent tops to offer the most knee space. Deep inset intermediate legs are 23 1/2" deep, and are recessed 15" from front edge of 24"D tops, 18" from front edge of 27"D tops, and 21" from front edge of 30"D tops. Deep inset intermediate legs plan up to two in a row to support 66" - 84" wide tops or up to three in a row to support 48" - 60" wide tops without requiring an end leg, intermediate leg or inset intermediate leg for additional support.



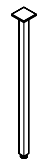
Desk Height Big Table Intermediate Leg



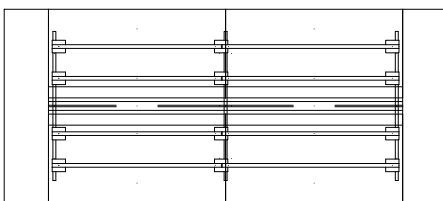
Desk Height Big Table End Leg



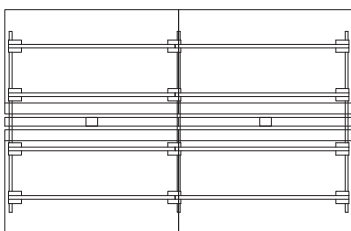
Desk Height Big Table Inset Intermediate Leg



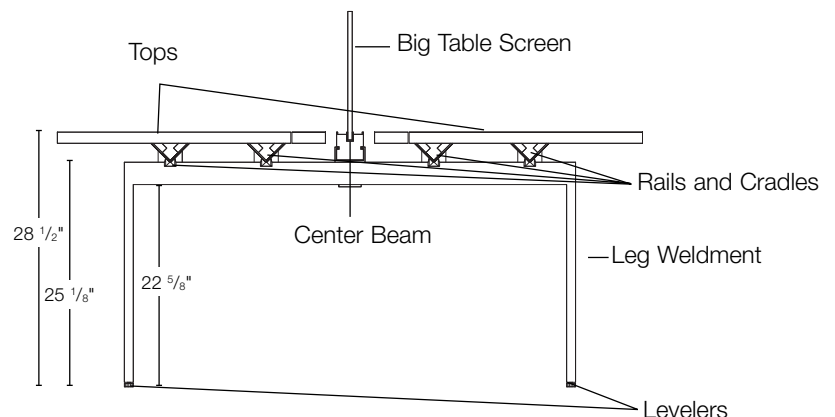
Desk Height Mid Span Support for Center Beam



Plan View of Big Table with Intermediate Leg



Plan View of Big Table with Mid Span Support for Center Beam



Dual Sided Desk Height Big Table End Elevation



# Legs for Dual Sided Big Tables

## Planning Guidelines and Specifications

Antenna dual big tables can be planned in 120 degree Antenna tops, deep inset intermediate legs, standard big table end legs, rails, center beams and power components.

When planning with 120 degree tops, a deep inset intermediate leg must be specified. The vertical legs are shifted to allow for ample kneespace. The top of the deep inset intermediate leg is the same as the big table inset intermediate leg, with two standard cradles for rails, two extended arm cradles and brackets for the center beam between them.

Big table 120 degree planning uses the same components and capabilities as standard straight big table applications: linked modular power components, cable baskets and wire management, center beam mounted

screens, storage and monitor arms. Pedestals must be specified as mobile or freestanding with ballast for 120 degree applications.

Desk height deep inset intermediate legs 25" high support a worksurface height of 28 1/2". Adjustable height deep inset intermediate legs 25" H support worksurface height from 28 1/2" - 31 1/2".

### Construction

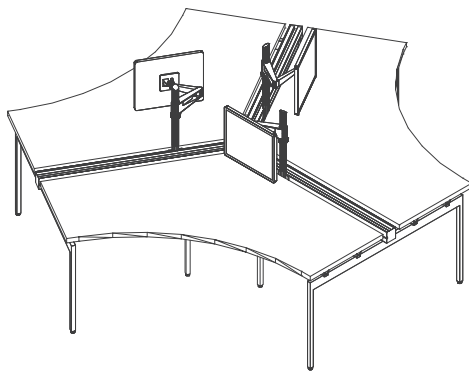
Big table desk height end legs, intermediate legs inset intermediate legs and deep inset intermediate legs are 25" high steel weldments with 1" square legs and a 2 1/2" horizontal rail. Legs include 2 1/2" levelers with 3/8" stems and continuous 1 1/2" adjustment range.

Adjustable dual big table leg weldments are 25" high including 5" levelers with 5/8" stems and 3" continuous adjustment range.

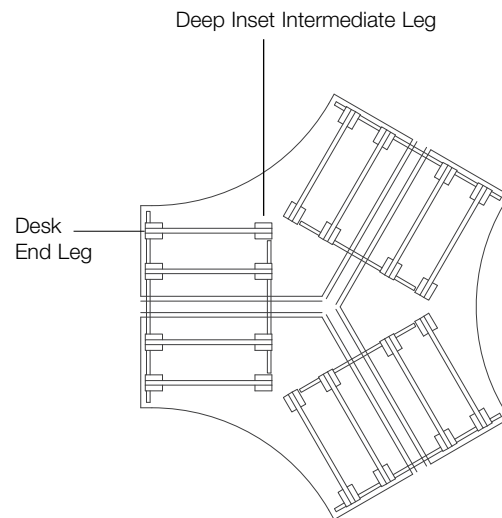
Cradles and clamps are cast aluminum with countersunk fasteners into legs, mating parts and tops.

### Specification Options

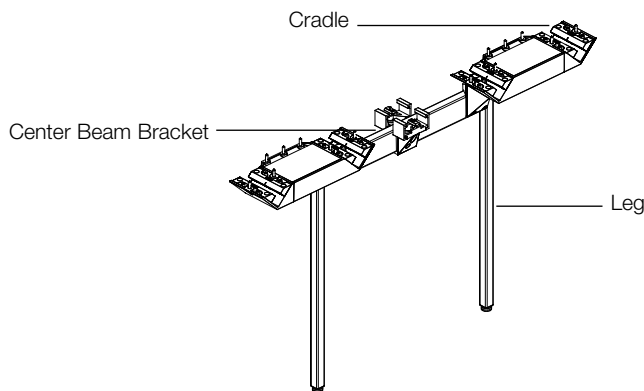
Big table end legs, intermediate legs, inset intermediate legs and deep inset intermediate legs can be specified in any Knoll Core, Clear, Dark Red or Slate Blue paint finish. Specify cradle finish separately in any Knoll Core, Clear, Dark Red, or Slate Blue paint finish.



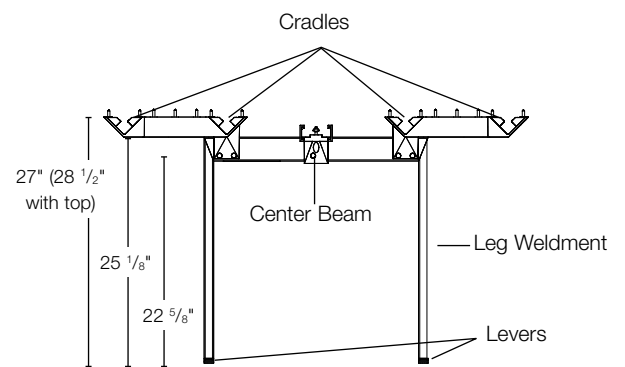
Desk Height 120 Degree Triad



Plan View of 120 Degree Triad



Desk Height Deep Inset Intermediate Leg

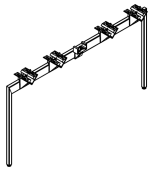


Deep Inset Intermediate Leg

# Legs for Dual Sided Big Tables

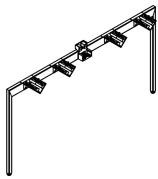
## Desk Height

description	type	w	d	h	pattern no.	list
Desk Height End Leg for Dual Big Tables	For 18"D Dual Sided Big Tables	1"	38½"	27"	<b>YELDD38</b>	\$544.
	For 24", 27" or 30"D Dual Sided Big Tables	1"	50½"	27"	<b>YELDD50</b>	594.
	For 36"D Dual Sided Big Table	1"	62½"	27"	<b>YELDD62</b>	609.

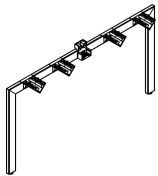


(YELDD50 shown)

Desk Height Table Desk End Leg for Dual Big Tables	For 24"D Dual Sided Big Tables	1"	53"	27"	<b>YELSDD53</b>	1,015.
	For 27"D Dual Sided Big Tables	1"	59"	27"	<b>YELSDD59</b>	1,030.
	For 30"D Dual Sided Big Tables	1"	65"	27"	<b>YELSDD65</b>	1,045.



Desk Height Wide End Leg for Dual Big Tables	For 24"D Dual Sided Big Tables	1"	53"	27"	<b>YELWDD53</b>	1,030.
	For 27"D Dual Sided Big Tables	1"	59"	27"	<b>YELWDD59</b>	1,045.
	For 30"D Dual Sided Big Tables	1"	65"	27"	<b>YELWDD65</b>	1,061.



### Ordering Information

#### Legs for Dual Big Tables

1. Pattern Number
2. Leg Paint Finish
3. Cradle Paint Finish

### Order Code

#### Legs for Dual Big Tables

*Example:* **YELDD50, 118T, 118T**

<b>YEL</b>	End Leg
<b>D</b>	Dual Big Table
<b>D</b>	Desk Height
<b>50</b>	Depth
<b>118T</b>	Bright White Paint
<b>118T</b>	Bright White Paint

### Included With

**Legs for Dual Big Tables**  
 (2) Glides  
 (4) Cradles  
 Center Beam Support Brackets  
 Attachment Hardware

**Mid Span Support Leg**  
 Attachment Hardware  
 Glide

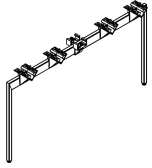
### Options

**Legs for Dual Big Tables**

# Legs for Dual Sided Big Tables

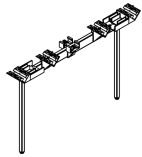
## Desk Height

description	type	w	d	h	pattern no.	list
Desk Height Intermediate Leg for Dual Big Tables	For 18"D Dual Sided Big Tables	1"	38 1/2"	27"	<b>YILDD38</b>	\$598.
	For 24", 27" or 30"D Dual Sided Big Tables	1"	50 1/2"	27"	<b>YILDD50</b>	659.
	For 36"D Dual Sided Big Tables	1"	62 1/2"	27"	<b>YILDD62</b>	664.



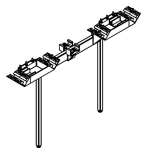
(YILDD50 shown)

Desk Height Inset Intermediate Leg for Dual Big Tables	For 24", 27" or 30"D Dual Sided Big Tables	1"	35 1/2"	27"	<b>YILDD35</b>	722.
	For 36"D Dual Sided Big Tables	1"	47 1/2"	27"	<b>YILDD48</b>	754.



(YILDD35 shown)

Desk Height Deep Inset Intermediate Leg for Dual Big Tables	For 24", 27" or 30"D Dual Sided Big Tables	1"	23 1/2"	27"	<b>YILDD24</b>	758.
---	--	----	---------	-----	----------------	------



### Ordering Information

#### Legs for Dual Big Tables

1. Pattern Number
2. Leg Paint Finish
3. Cradle Paint Finish

### Order Code

#### Legs for Dual Big Tables

*Example:* **YELDD50, 118T, 118T**

<b>YEL</b>	End Leg
<b>D</b>	Dual Big Table
<b>D</b>	Desk Height
<b>50</b>	Depth
<b>118T</b>	Bright White Paint
<b>118T</b>	Bright White Paint

### Included With

**Legs for Dual Big Tables**  
 (2) Glides  
 (4) Cradles  
 Center Beam Support Brackets  
 Attachment Hardware

**Mid Span Support Leg**  
 Attachment Hardware  
 Glide

### Options

#### Legs for Dual Big Tables

# Legs for Dual Sided Big Tables

## *Desk Height*

description	type	w	d	h	pattern no.	list
Desk Height Mid Span Support Leg for Center Beam	For 36"D Dual and Single Sided Big Tables wider than 54"W	1"	1"	25"	<b>YILDD1</b>	\$103.



### Ordering Information

#### Legs for Dual Big Tables

1. Pattern Number
2. Leg Paint Finish
3. Cradle Paint Finish

### Order Code

#### Legs for Dual Big Tables

*Example:* **YELDD50, 118T, 118T**

<b>YEL</b>	End Leg
<b>D</b>	Dual Big Table
<b>D</b>	Desk Height
<b>50</b>	Depth
<b>118T</b>	Bright White Paint
<b>118T</b>	Bright White Paint

### Included With

**Legs for Dual Big Tables**  
 (2) Glides  
 (4) Cradles  
 Center Beam Support Brackets  
 Attachment Hardware  
**Mid Span Support Leg**  
 Attachment Hardware  
 Glide

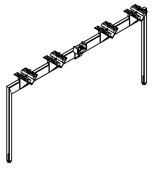
### Options

#### Legs for Dual Big Tables

# Legs for Dual Sided Big Tables

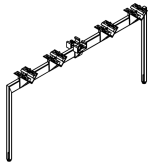
## *Adjustable Height*

description	type	w	d	h	pattern no.	list
Adjustable Height End Leg for Dual Big Tables	For 18"D Dual Sided Big Tables	1"	38 1/2"	27" - 30"	<b>YEL2DA38</b>	\$584.
	For 24", 27" or 30"D Dual Sided Big Tables	1"	50 1/2"	27" - 30"	<b>YEL2DA50</b>	632.
	For 36"D Dual Sided Big Tables	1"	62 1/2"	27" - 30"	<b>YEL2DA62</b>	648.



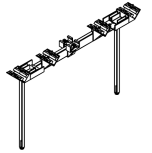
(YELDA50 shown)

Adjustable Height Intermediate Leg for Dual Big Tables	For 18"D Dual Sided Big Tables	1"	38 1/2"	27" - 30"	<b>YIL2DA38</b>	635.
	For 24", 27" or 30"D Dual Sided Big Tables	1"	50 1/2"	27" - 30"	<b>YIL2DA50</b>	697.
	For 36"D Dual Sided Big Tables	1"	62 1/2"	27" - 30"	<b>YIL2DA62</b>	701.



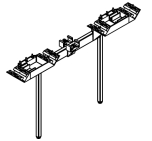
(YILDA50 shown)

Adjustable Height Inset Intermediate Leg for Dual Big Tables	For 24", 27" or 30"D Dual Sided Big Tables	1"	35 1/2"	27" - 30"	<b>YIL2DA35</b>	758.
	For 36"D Dual Sided Big Table	1"	47 1/2"	27" - 30"	<b>YIL2DA48</b>	793.



(YILDA35 shown)

Adjustable Height Deep Inset Intermediate Leg for Dual Big Tables	For 24", 27" or 30"D Dual Sided Big Table	1"	23 1/2"	27"	<b>YIL2DA24</b>	796.
---	---	----	---------	-----	-----------------	------



### Ordering Information

#### Legs for Dual Big Tables

1. Pattern Number
2. Leg Paint Finish
3. Cradle Paint Finish

### Order Code

#### Legs for Dual Big Tables

*Example:* **YEL2DA50, 118T, 118T**

<b>YEL2</b>	End Leg
<b>D</b>	Dual Big Table
<b>A</b>	Adjustable Height
<b>50</b>	Depth
<b>118T</b>	Bright White Paint
<b>118T</b>	Bright White Paint

### Included With

**Legs for Dual Big Tables**  
 (2) Glides  
 (4) Cradles  
 Center Beam Support Brackets  
 Attachment Hardware

**Mid Span Support Leg**  
 Attachment Hardware  
 Glide

### Options

#### Legs for Dual Big Tables

# Legs for Dual Sided Big Tables

## *Adjustable Height*

description	type	w	d	h	pattern no.	list
Adjustable Height Mid Span Support Leg for Center Beam	For 36"D Dual and Single Sided Big Tables wider than 54"	1"	1"	25" - 30"	<b>YIL2DA1</b>	\$123.



### Ordering Information

#### Legs for Dual Big Tables

1. Pattern Number
2. Leg Paint Finish
3. Cradle Paint Finish

### Order Code

#### Legs for Dual Big Tables

*Example:* **YEL2DA50, 118T, 118T**

<b>YEL2</b>	End Leg
<b>D</b>	Dual Big Table
<b>A</b>	Adjustable Height
<b>50</b>	Depth
<b>118T</b>	Bright White Paint
<b>118T</b>	Bright White Paint

### Included With

**Legs for Dual Big Tables**  
 (2) Glides  
 (4) Cradles  
 Center Beam Support Brackets  
 Attachment Hardware

**Mid Span Support Leg**  
 Attachment Hardware  
 Glide

### Options

#### Legs for Dual Big Tables

# Legs for Standing Height Dual Sided Big Tables

## Planning Guidelines and Specifications

Standing height end legs for 36" high dual big tables are 33" high inverted U-shape supports for use at the ends of big table configurations of four or more positions. Standing height big tables with tops greater than 18" deep must have at least one inset intermediate leg with support brace for stability. Big table end legs include four cradles, support bracket for the center beam and two levelers. Cradles are V-shaped connectors with clamps that secure the rails over the leg and fasten the legs to the tops.

End legs for 18"D standing height big tables are 38 1/2" deep, inset 1 1/2" from front edges of tops. End legs for 24", 27" or 30" deep big tables are always 50 1/2" deep, inset 1 1/2" from front edges of 24" deep tops, 4 1/2" from front edges of 27" deep tops, and 7 1/2" from front edge of 30" deep tops.

Standing height intermediate legs for 36" high big tables are 33" high inverted U-shape supports shared between adjacent tops in

big tables with four or more positions. Big table intermediate legs include four cradles, two support brackets for center beams, and two levelers.

Intermediate legs for 18"D standing height big tables are 38 1/2" deep. Intermediate legs for 24", 27" or 30" deep big tables with tops 48"-54" wide can be same dimension as 50 1/2" deep end legs, or inset intermediate legs 35 1/2" deep. Inset intermediate legs with diagonal braces are required for 24" or deeper big tables with four or more positions of tops greater than 54" wide. Inset intermediate legs are inset 9" from front edges of 24" deep tops, 12" from front edges of 27" deep tops, and 15" from front edge of 30" deep tops. Inset intermediate legs are preconfigured with inserts for diagonal brace connection near each leveler.

Diagonal brace kit, which ensures the stability of standing height tables with tops up to 84" wide, includes a pair of V-shape chrome steel tubes connecting from the

base of each leg to the underside of the center beam. Standing height intermediate leg brace kit must be specified separately.

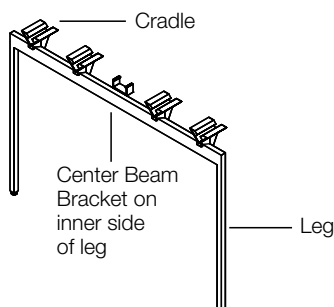
Inset intermediate legs are not available for 18"D big tables, and no standing height legs are available for 36"D tops.

### Construction

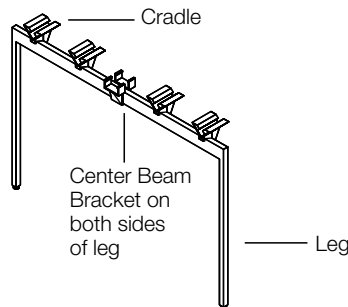
Standing height big table end legs and intermediate legs are steel weldments with 1" square legs and a 1" x 2 1/2" horizontal rail, reinforced internally. Legs include 2 1/2" levelers with 3/8" stems and continuous 1 1/2" adjustment range. Cradles and clamps are cast aluminum with countersunk fasteners into legs, mating parts and tops.

### Specification Options

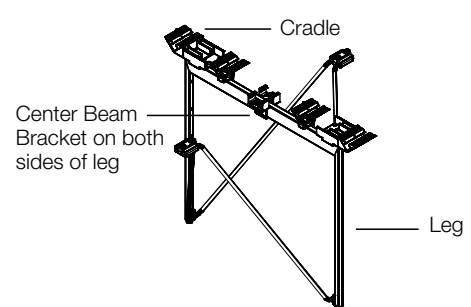
Standing height dual big table end legs, intermediate legs and inset intermediate legs can be specified in any Knoll Core, Clear, Dark Red or Slate Blue paint finish. Specify cradle finish separately. Brace kit is available in Knoll Core, Clear, Dark Red or Slate Blue paint finish and Chrome.



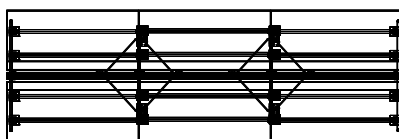
Standing Height Big Table End Leg



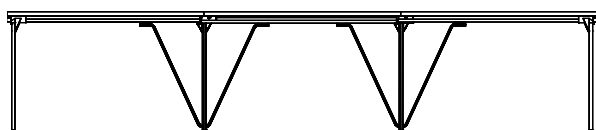
Standing Height Big Table Intermediate Leg



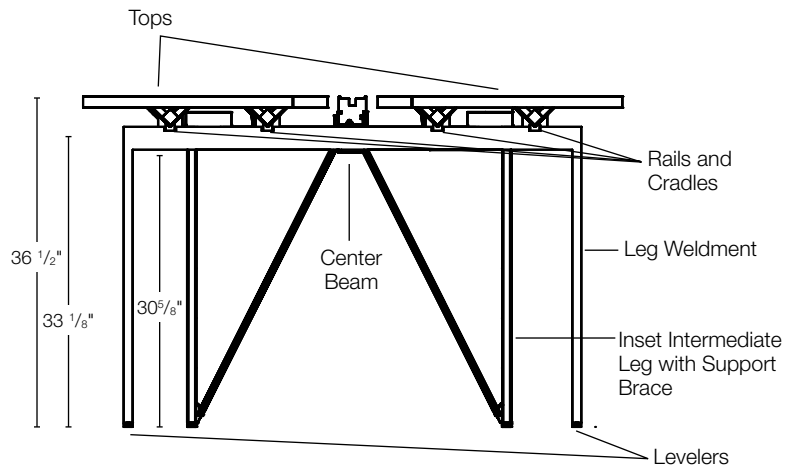
Standing Height Big Table Inset Intermediate Leg with Support Brace



Plan View of Big Table with Inset Intermediate Legs and Support Brace



Elevation View of Straight Big Table with Inset Intermediate Legs and Support Braces



Standing Height Dual Big Table End Elevations

Standing height end legs for big tables of only two positions with tops greater than 18" deep must have the end leg support brace for stability. Big table end legs for two position applications are drilled for the end leg support brace. Big table end legs include four cradles, support bracket for the center beam and two levelers. Cradles are V-shaped connectors with clamps that secure the rails over the leg and fasten the legs to the tops.

End legs drilled for diagonal brace for 24", 27" or 30" deep big tables are always 50 1/2" deep, inset 1 1/2" from front edges of 24" deep tops, 4 1/2" from front edges of 27" deep tops, and 7 1/2" from front edge of 30" deep tops.

Diagonal brace kit, which ensures the stability of standing height tables with tops up to 84" wide, includes a pair of chrome steel tubes connecting from the base of each leg to the underside of the center beam. Standing height end leg brace kit must be specified separately.

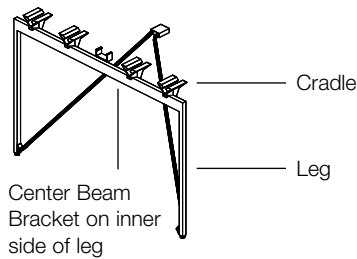
Tops of big tables with end leg support braces must be 54" or wider to accept a power harness.

### Construction

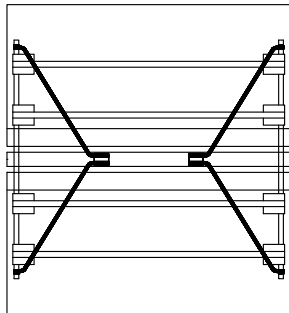
Standing height big table end legs and intermediate legs are steel weldments with 1" square legs and a 1" x 2 1/2" horizontal rail, reinforced internally. Legs include 2 1/2" levelers with 3/8" stems and continuous 1 1/2" adjustment range. Cradles and clamps are cast aluminum with countersunk fasteners into legs, mating parts and tops.

### Specification Options

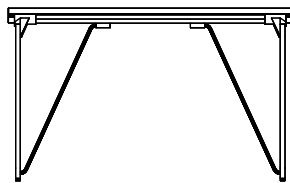
Standing height dual big table end legs, intermediate legs and inset intermediate legs can be specified in any Knoll Core, Clear, Dark Red or Slate Blue paint finish. Specify cradle finish separately. Brace kit is available in Knoll Core, Clear, Dark Red or Slate Blue paint finish and Chrome.



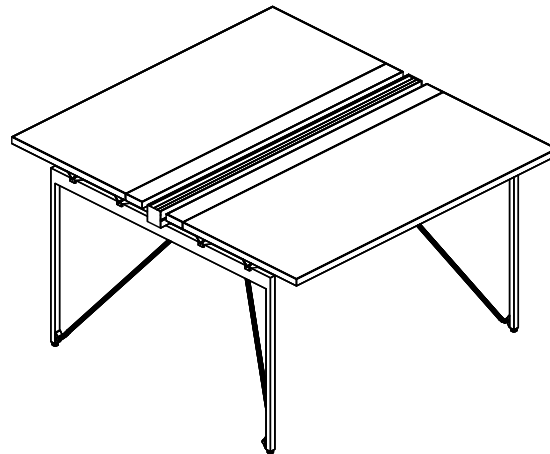
36"H Standing Height Big Table End Leg with Support Braces



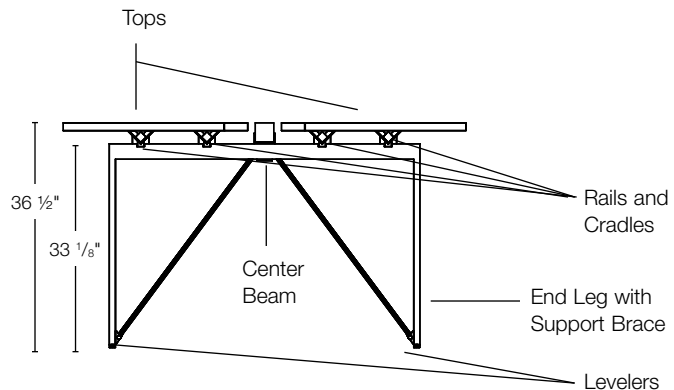
Plan View of Big Table with End Legs and Support Braces



Elevation View of Straight Big Table with End Legs and Support Braces



36"H Standing Height Two Position Dual Big Table with End Legs and Support Braces



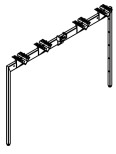
36" Standing Height Dual Big Table End Elevation



# Legs for Standing Height Dual Sided Big Tables

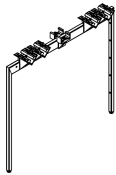
## Standing Height 36"

description	type	w	d	h	pattern no.	list
36" Standing Height End Leg for Dual Big Tables	For 18"D Dual Big Tables	1"	38 1/2"	35"	<b>YELDH38</b>	\$868.
	For 24", 27" or 30"D Dual Big Tables	1"	50 1/2"	35"	<b>YELDH50</b>	901.



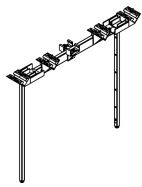
(YELDH50 shown)

36" Standing Height Intermediate Leg for Dual Big Tables	For 18"D Dual Big Tables	1"	38 1/2"	35"	<b>YILDH38</b>	939.
	For 24", 27" or 30"D Dual Big Tables	1"	50 1/2"	35"	<b>YILDH50</b>	970.



(YILDH38 shown)

36" Standing Height Inset Intermediate Leg for Dual Big Tables, Drilled for Diagonal Brace	For 24", 27" or 30"D Dual Big Tables	1"	35 1/2"	35"	<b>YILDH35</b>	1,120.
--	--------------------------------------	----	---------	-----	----------------	--------



(YILDH35 shown)

Support brace kit for standing height inset intermediate leg	For 24", 27" or 30"D Dual Big Tables	1"	20"	35"	<b>YILDHB</b>	409.
--	--------------------------------------	----	-----	-----	---------------	------



### Ordering Information

#### Legs for Dual Big Tables

1. Pattern Number
2. Leg Paint Finish
3. Cradle Paint Finish

### Order Code

#### Legs for Dual Big Tables

*Example:* **YELDH50, 118T, 118T**

<b>YEL</b>	End Leg
<b>D</b>	Dual Big Table
<b>H</b>	Standing Height
<b>50</b>	Depth
<b>118T</b>	Bright White Paint
<b>118T</b>	Bright White Paint

### Included With

#### Legs for Dual Big Tables

- (2) Glides
- (4) Cradles
- Center Beam Support Brackets
- Attachment Hardware

#### Mid Span Support Leg

- Attachment Hardware
- Glide

### Options

#### Legs for Dual Big Tables

All core painted finishes

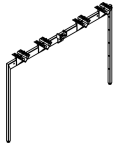
#### Support Brace

All core painted finishes and Chrome.

# Legs for Standing Height Dual Sided Big Tables

## Standing Height 36"

description	type	w	d	h	pattern no.	list
36" Standing Height End Leg for Dual Big Tables, Drilled for Diagonal Brace	For 24", 27" or 30"D Dual Big Tables	1"	50 1/2"	35"	<b>YELDH50B</b>	\$958.



(YELDH50 shown)

36" Support brace kit for standing height End Leg	For 24", 27" or 30"D Dual Big Tables	1"	20"	35"	<b>YELDHB</b>	257.
---	--------------------------------------	----	-----	-----	---------------	------



### Ordering Information

#### Legs for Dual Big Tables

1. Pattern Number
2. Leg Paint Finish
3. Cradle Paint Finish

### Order Code

#### Legs for Dual Big Tables

*Example:* **YELDH50, 118T, 118T**

<b>YEL</b>	End Leg
<b>D</b>	Dual Big Table
<b>H</b>	Standing Height
<b>50</b>	Depth
<b>118T</b>	Bright White Paint
<b>118T</b>	Bright White Paint

### Included With

#### Legs for Dual Big Tables

- (2) Glides
- (4) Cradles
- Center Beam Support Brackets
- Attachment Hardware

#### Mid Span Support Leg

- Attachment Hardware
- Glide

### Options

#### Legs for Dual Big Tables

All core painted finishes

#### Support Brace

All core painted finishes and Chrome.

# Legs for Standing Height Dual Sided Big Tables

## Planning Guidelines and Specifications

Standing height end legs for 42" high dual big tables are 39" high inverted U-shape supports for use at the ends of big table configurations. 42" high standing height big tables must have at least one inset intermediate leg with support brace for stability. Big table end legs include four cradles, support bracket for center beam and two levelers. Cradles are V-shaped connectors with clamps that secure the rails over the leg and fasten the legs to the tops.

End legs for 24", 27" or 30" deep big tables are always 50 1/2" deep, inset 1 1/2" from front edges of 24" deep tops, 4 1/2" from front edges of 27" deep tops, and 7 1/2" from front edge of 30" deep tops.

Standing height inset intermediate legs for 42" high big tables are 39" high inverted U-shape supports shared between adjacent tops.

Big table inset intermediate legs include four cradles, two support brackets for center beams and two levelers.

Inset intermediate legs with diagonal brace are required for all 42" high standing height big tables. Inset intermediate legs are always 35 1/2" deep, inset 9" from front edges of 24" deep tops, 12" from front edge of 27" deep tops, and 15" from front edge of 30" deep tops. Inset intermediate legs are preconfigured with inserts for diagonal brace connection near each leveler.

Diagonal brace kit, which ensures the stability of standing height tables with tops up to 84" wide, includes a pair of V-shape chrome steel tubes connecting from the base of each leg to the underside of the center beam. Standing height intermediate leg brace kit must be specified separately.

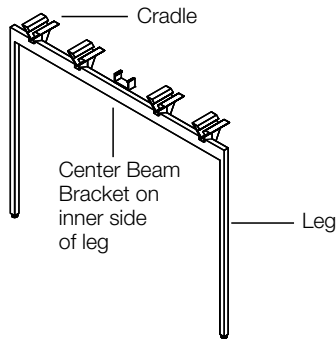
No standing height legs are available for 18" or 36" deep tops.

### Construction

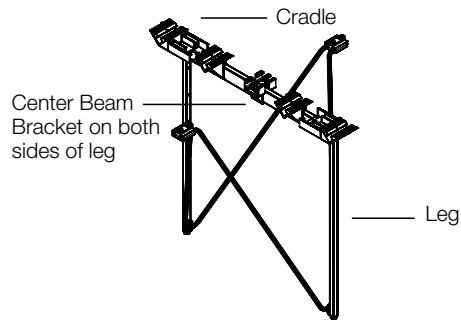
Standing height big table end legs and inset intermediate legs are steel weldments with 1" square legs and a 1" x 2 1/2" horizontal rail, reinforced internally. Legs include 2 1/2" levelers with 3/8" stems and continuous 1 1/2" adjustment range. Cradles and clamps are cast aluminum with countersunk fasteners into legs, mating parts and tops.

### Specification Options

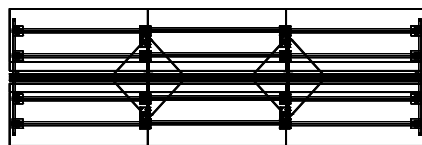
Standing height dual big table end legs and inset intermediate legs can be specified in any Knoll Core, Clear, Dark Red or Slate Blue paint finish. Specify cradle finish separately. Brace kit is available in Knoll Core, Clear, Dark Red or Slate Blue paint finish and Chrome.



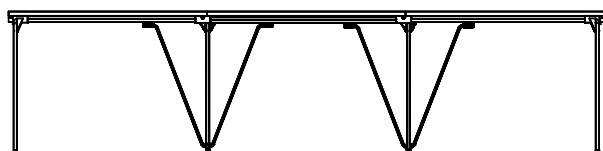
42"H Standing Height Big Table End Leg



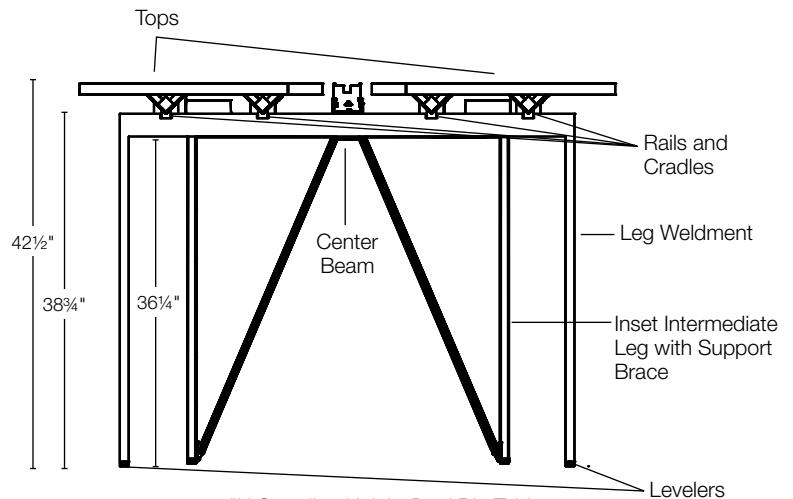
42"H Standing Height Big Table Inset Intermediate Leg with Support Brace



Plan View of Big Table with Inset Intermediate Legs and Support Brace



Elevation View of Straight Big Table with Inset Intermediate Legs and Support Braces



42"H Standing Height Dual Big Table End Elevation

Standing height end legs for big tables of only two positions must have the end leg support brace for stability. Big table end legs for two position applications are drilled for the end leg support brace. Big table end legs include four cradles, support bracket for the center beam and two levelers. Cradles are V-shaped connectors with clamps that secure the rails over the leg and fasten the legs to the tops.

End legs drilled for diagonal brace for 24", 27" or 30" deep big tables are always 50 1/2" deep, inset 1 1/2" from front edges of 24" deep tops, 4 1/2" from front edges of 27" deep tops, and 7 1/2" from front edge of 30" deep tops.

Diagonal brace kit, which ensures the stability of standing height tables with tops up to 84" wide, includes a pair of chrome steel tubes connecting from the base of each leg to the underside of the center beam. Standing height end leg brace kit must be specified separately.

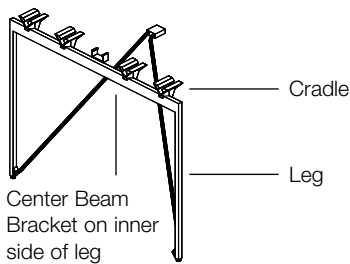
Tops of big tables with end leg support braces must be 54" or wider to accept a power harness.

### Construction

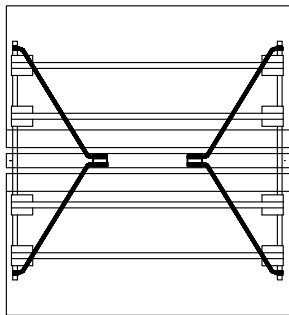
Standing height big table end legs and intermediate legs are steel weldments with 1" square legs and a 1" x 2 1/2" horizontal rail, reinforced internally. Legs include 2 1/2" levelers with 3/8" stems and continuous 1 1/2" adjustment range. Cradles and clamps are cast aluminum with countersunk fasteners into legs, mating parts and tops.

### Specification Options

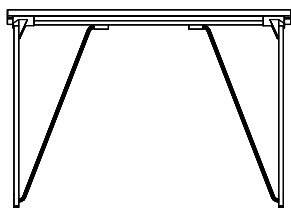
Standing height dual big table end legs, intermediate legs and inset intermediate legs can be specified in any Knoll Core, Clear, Dark Red or Slate Blue paint finish. Specify cradle finish separately. Brace kit is available in Knoll Core, Clear, Dark Red or Slate Blue paint finish and Chrome.



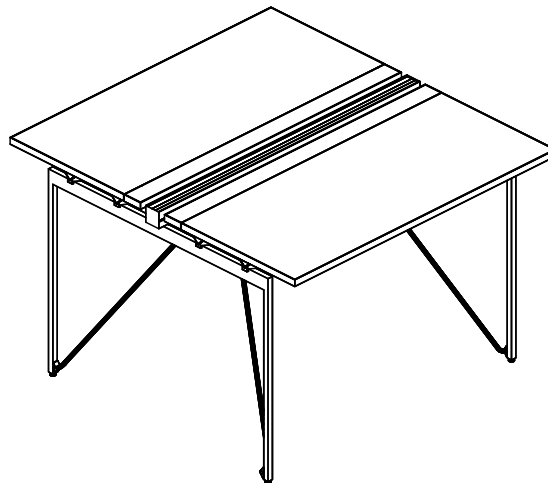
42" Standing Height Big Table End Leg with Support Braces



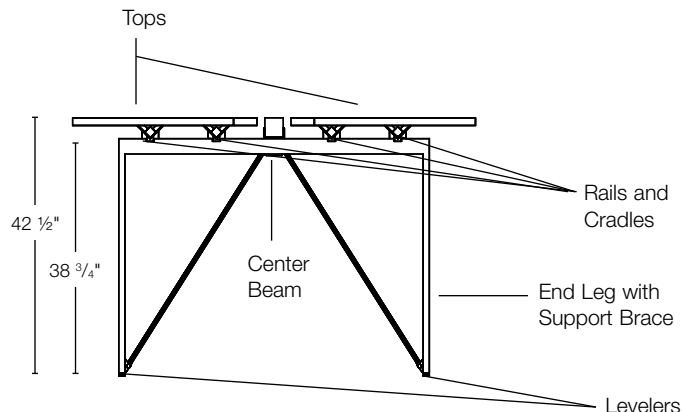
Plan View of Big Table with End Legs and Support Braces



Elevation View of Straight Big Table with End Legs and Support Braces



42" Standing Height Two Position Dual Big Table with End Legs and Support Braces

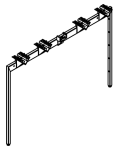


42" Standing Height Dual Big Table End Elevation

# Legs for Standing Height Dual Sided Big Tables

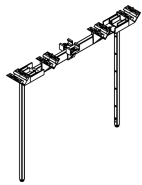
## Standing Height 42"

description	type	w	d	h	pattern no.	list
42" Standing Height End Leg for Dual Big Tables	For 24", 27" or 30"D Dual Big Tables	1"	50½"	41"	<b>YELDT50</b>	\$927.



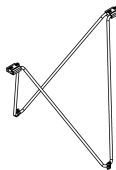
(YELDT50 shown)

42" Standing Height Inset Intermediate Leg for Dual Big Tables, Drilled for Diagonal Brace	For 24", 27" or 30"D Dual Big Tables	1"	35½"	41"	<b>YILD35</b>	1,150.
--	--------------------------------------	----	------	-----	---------------	--------



(YILD35 shown)

42" Support brace kit for standing height inset intermediate leg	For 24", 27" or 30"D Dual Big Tables	1"	20"	41"	<b>YILDTB</b>	460.
--	--------------------------------------	----	-----	-----	---------------	------



### Ordering Information

#### Legs for Dual Big Tables

1. Pattern Number
2. Leg Paint Finish
3. Cradle Paint Finish

### Order Code

#### Legs for Dual Big Tables

*Example:* **YELDT50, 118T, 118T**

<b>YEL</b>	End Leg
<b>D</b>	Dual Big Table
<b>T</b>	Standing Height
<b>50</b>	Depth
<b>118T</b>	Bright White Paint
<b>118T</b>	Bright White Paint

### Included With

#### Legs for Dual Big Tables

- (2) Glides
- (4) Cradles
- Center Beam Support Brackets
- Attachment Hardware

#### Mid Span Support Leg

- Attachment Hardware
- Glide

### Options

#### Legs for Dual Big Tables

All core painted finishes

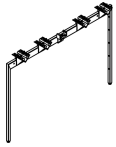
#### Support Brace

All core painted finishes and Chrome

# Legs for Standing Height Dual Sided Big Tables

## Standing Height 42"

description	type	w	d	h	pattern no.	list
42" Standing Height End Leg for Dual Big Tables, Drilled for Diagonal Brace	For 24", 27" or 30"D Dual Big Tables	1"	50 1/2"	41"	<b>YELDT50B</b>	\$987.



(YELDT50 shown)

42" Support brace kit for standing height End Leg	For 24", 27" or 30"D Dual Big Tables	1"	20"	41"	<b>YELDTB</b>	265.
---	--------------------------------------	----	-----	-----	---------------	------



### Ordering Information

#### Legs for Dual Big Tables

1. Pattern Number
2. Leg Paint Finish
3. Cradle Paint Finish

### Order Code

#### Legs for Dual Big Tables

*Example:* **YELDT50, 118T, 118T**

<b>YEL</b>	End Leg
<b>D</b>	Dual Big Table
<b>T</b>	Standing Height
<b>50</b>	Depth
<b>118T</b>	Bright White Paint
<b>118T</b>	Bright White Paint

### Included With

#### Legs for Dual Big Tables

- (2) Glides
- (4) Cradles
- Center Beam Support Brackets
- Attachment Hardware

#### Mid Span Support Leg

- Attachment Hardware
- Glide

### Options

#### Legs for Dual Big Tables

All core painted finishes

#### Support Brace

All core painted finishes and Chrome

# Legs for Single Sided Big Tables

## Planning Guidelines and Specifications

End legs for single sided big tables are 25" high inverted U-shape supports for use at the ends of single sided big table configurations. End legs include cradles, support bracket for the center beam and two levelers. Cradles are V-shape connectors with clamps that secure starter or extended rails to the leg and fasten the legs and rails to the top.

Intermediate legs for single sided big tables are shared between adjacent tops. Single sided intermediate legs include two cradles, two support brackets for center beams and two levelers.

### Legs For Basic Single Sided Big Tables

End legs and intermediate legs for basic single sided big tables with 18" deep tops are 22" deep, set back 1 1/2" from the front edge.

End legs and intermediate legs for tables with tops that are 24", 27" or 30" deep are 28" deep, set back 1 1/2" from the front edge of 24" deep tops, 4 1/2" from the front of 27" deep tops, and 7 1/2" from the front of 30" deep tops. End legs and intermediate legs for basic big tables with 36" deep tops are 34" deep, and set back 7 1/2" from the front edge.

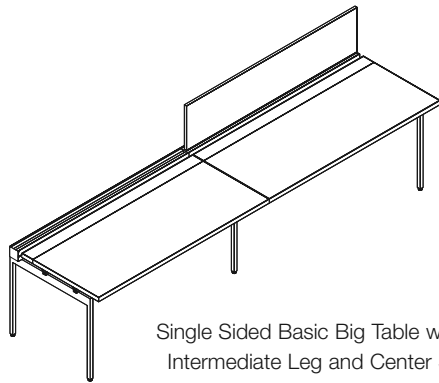
For big tables with tops deeper than 18", inset intermediate legs offer more kneespace than standard intermediate legs: inset intermediate legs 20" deep are recessed 9" from front edge

of 24" deep tops, 12" from front of 27" deep tops and 15" from front of 30" deep tops. Inset intermediate legs 26" deep are recessed 15" from front edge of 36" deep table tops.

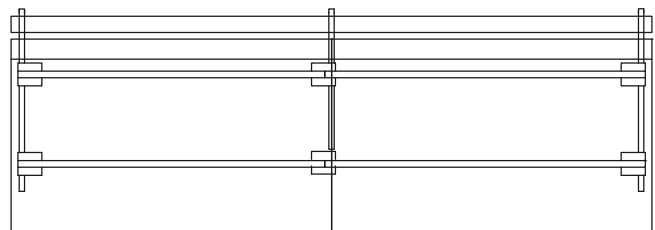
Overall depth of basic single sided big table is about 5 1/2" more than big table tops.

End legs can be positioned from 1 1/2" to 6" in from the end of a big table top. Intermediate legs or inset intermediate legs must be mounted directly under the joint of two tops.

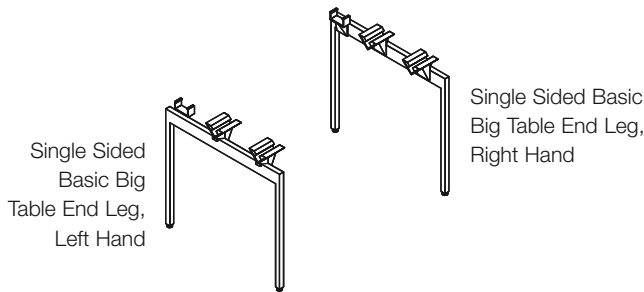
Note that stanchion mounted cabinets do not mount to center beam of basic single sided big tables. Specify the full back version of the single sided big table if stanchion mounted storage is required.



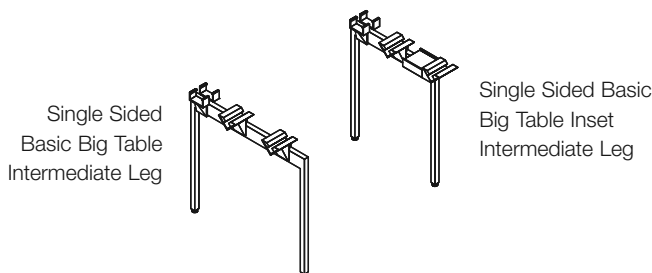
Single Sided Basic Big Table with Inset Intermediate Leg and Center Screen



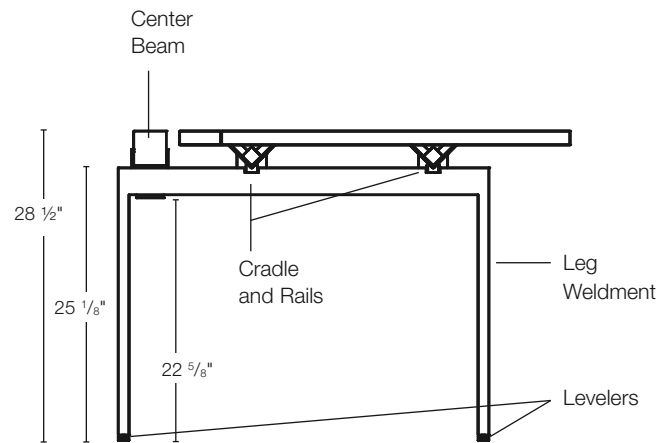
Plan View of Single Sided Basic Big Table



Center beam Bracket on Inner Side of End Leg



Center Beam Bracket on Both Sides of Intermediate Leg



Basic Single Sided Big Table End Elevation

### Legs For Full Back Single Sided Big Tables

End legs and intermediate legs for full back, single sided big tables with 18" deep tops are 28" deep, set back 1 1/2" from the front edge. End legs and intermediate legs for tables with tops that are 24", 27" or 30" deep are 34" deep, set back 1 1/2" from the front edge of 24" deep tops, 4 1/2" from the front of 27" deep tops, and 7 1/2" from the front of 30" deep tops. End legs and intermediate legs for basic big tables with 36" deep tops are 40" deep, and set back 7 1/2" from the front edge.

For big tables with tops deeper than 18", inset intermediate legs offer more kneespace than standard intermediate legs: inset intermediate legs 26 1/2" deep are recessed 9" from front edge of 24" deep tops, 12" from front of 27" deep tops and 15" from front of 30" deep tops. Inset intermediate legs 32 1/2" deep are recessed 15" from front edge of 36" deep tops.

Overall depth of full back single sided big tables is about 13" more than the big table tops.

End legs can be positioned from 1 1/2" to 6" in from the end of a big table top, or centered under the joint of a top and extension top. Intermediate legs or inset intermediate legs must be mounted directly under the joint of two tops.

Note that stanchion mounted cabinets mount on full back single sided big table center beam with storage stanchion supports, specified separately.

### Construction

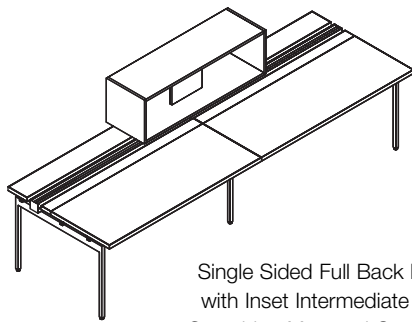
Big table end legs, intermediate legs and inset intermediate legs are steel weldments with 1" square legs and a 2 1/2" horizontal rail. Standard legs include 2 1/2" levelers with 3/8" stems and continuous 1 1/2" adjustment range for desk tops from 28 3/8" to 30" overall height. Adjustable legs include 5" levelers with 5/8" diameter stems and a continuous 3" adjustment range for desk tops from 28 1/2" - 31 1/2" overall height.

Cradles and clamps are cast aluminum with countersunk fasteners into legs, mating parts and tops.

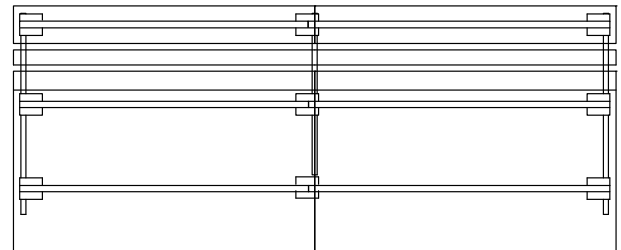
### Specifications Options

Big table end legs, intermediate legs and inset intermediate legs can be specified in any Knoll Core, Clear, Dark Red or Slate Blue paint finish. Specify cradle finish separately in any Knoll Core, Clear, Dark Red or Slate Blue paint finish.

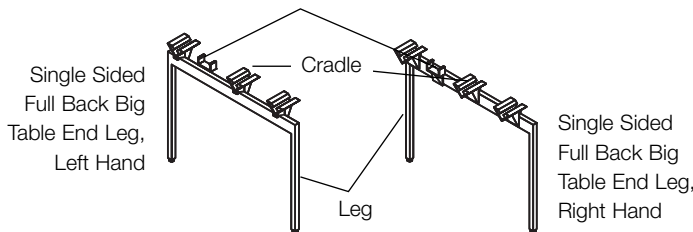
Desk and Table Support



Single Sided Full Back Big Table with Inset Intermediate Leg and Stanchion Mounted Open Cabinet



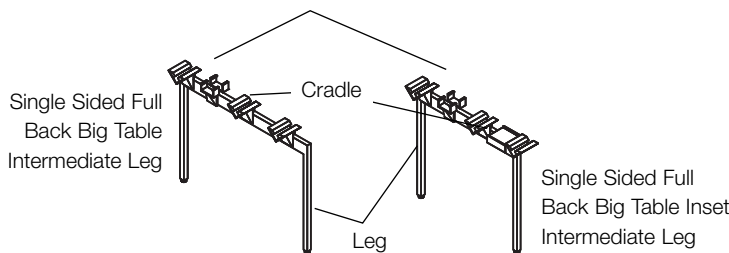
Plan View of Single Sided Full Back Big Table



Single Sided Full Back Big Table End Leg, Left Hand

Single Sided Full Back Big Table End Leg, Right Hand

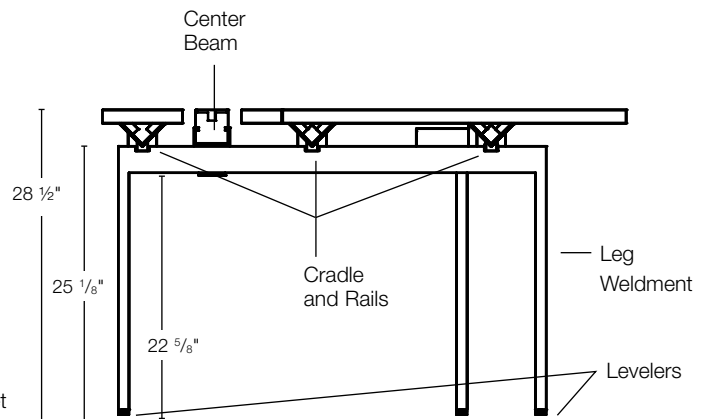
Center Beam Bracket on Inner Side of Leg



Single Sided Full Back Big Table Intermediate Leg

Single Sided Full Back Big Table Inset Intermediate Leg

Center Beam Bracket on Both Sides of Leg

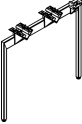


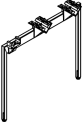
Full Back Single Sided Big Table End Elevation

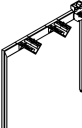


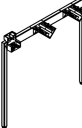
# Legs for Single Sided Big Tables

## Desk Height, Basic

description	type	w	d	h	pattern no.	list
 Desk Height End Legs for Single Sided Basic Big Tables (Left Shown)	Left support for 18"D single sided big table	1"	22"	25"	<b>YEL2SSDB22L</b>	\$401.
	Left support for 24", 27" or 30"D single sided big table	1"	28"	25"	<b>YEL2SSDB28L</b>	417.
	Left support for 36"D single sided big table	1"	34"	25"	<b>YEL2SSDB34L</b>	433.

 Desk Height End Legs for Single Sided Basic Big Tables (Right Shown)	Right support for 18"D single sided big table	1"	22"	25"	<b>YEL2SSDB22R</b>	401.
	Right support for 24", 27" or 30"D single sided big table	1"	28"	25"	<b>YEL2SSDB28R</b>	417.
	Right support for 36"D single sided big table	1"	34"	25"	<b>YEL2SSDB34R</b>	433.

 Desk Height Table Desk End Leg for Single Sided Basic Big Tables (Left Shown)	Left support for 24"D single sided big table	1"	29 1/4"	27"	<b>YELSSDB30L</b>	883.
	Left support for 27"D single sided big table	1"	32 1/4"	27"	<b>YELSSDB33L</b>	883.
	Left support for 30"D single sided big table	1"	35 1/4"	27"	<b>YELSSDB36L</b>	883.

 Desk Height Table Desk End Leg for Single Sided Basic Big Tables (Right Shown)	Right support for 24"D single sided big table	1"	29 1/4"	27"	<b>YELSSDB30R</b>	883.
	Right support for 27"D single sided big table	1"	32 1/4"	27"	<b>YELSSDB33R</b>	883.
	Right support for 30"D single sided big table	1"	35 1/4"	27"	<b>YELSSDB36R</b>	883.

### Ordering Information

#### Legs for Single Big Tables

1. Pattern Number
2. Leg Paint Finish
3. Cradle Paint Finish

### Order Code

#### Legs for Single Side Big Tables

*Example:* **YELSSDB22L, 118T, 118T**

<b>YEL</b>	End Leg
<b>SS</b>	Single Sided Big Table
<b>D</b>	Desk Height
<b>B</b>	Basic
<b>22</b>	Depth
<b>L</b>	Left Support
<b>118T</b>	Bright White Paint
<b>118T</b>	Bright White Paint

### Included With

#### Legs for Single Side Big Tables

- (2) Glides
- (4) Cradles
- Center Beam Support Brackets
- Attachment Hardware

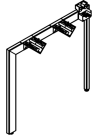
### Options

#### Legs for Single Side Big Tables

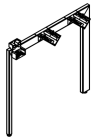
# Legs for Single Sided Big Tables

## Desk Height, Basic

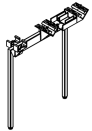
description	type	w	d	h	pattern no.	list
Desk Height Wide End Leg for Single Sided Basic Big Tables (Left Shown)	Left support for 24"D single sided big table	1"	29 1/4"	27"	<b>YELWSSDB30L</b>	\$893.
	Left support for 27"D single sided big table	1"	32 1/4"	27"	<b>YELWSSDB33L</b>	893.
	Left support for 30"D single sided big table	1"	35 1/4"	27"	<b>YELWSSDB36L</b>	893.



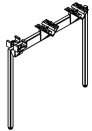
Desk Height Wide End Leg for Single Sided Basic Big Tables (Right Shown)	Right support for 24"D single sided big table	1"	29 1/4"	27"	<b>YELWSSDB30R</b>	893.
	Right support for 27"D single sided big table	1"	32 1/4"	27"	<b>YELWSSDB33R</b>	893.
	Right support for 30"D single sided big table	1"	35 1/4"	27"	<b>YELWSSDB36R</b>	893.



Desk Height Inset Intermediate Legs for Single Sided Basic Big Tables	For 24", 27" or 30"D single sided big table	1"	20"	25"	<b>YIL2SSDB20</b>	539.
	For 36"D single sided big table	1"	26"	25"	<b>YIL2SSDB26</b>	555.



Desk Height Intermediate Legs for Single Sided Basic Big Tables	For 18"D single sided big tables	1"	22"	25"	<b>YIL2SSDB22</b>	464.
	For 24", 27" or 30"D single sided big table	1"	28"	25"	<b>YIL2SSDB28</b>	482.
	For 36"D single sided big table	1"	34"	25"	<b>YIL2SSDB34</b>	497.



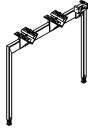
Desk and Table Support

Ordering Information	Order Code	Included With	Options
<b>Legs for Single Big Tables</b>	<b>Legs for Single Side Big Tables</b>	<b>Legs for Single Side Big Tables</b>	<b>Legs for Single Side Big Tables</b>
1. Pattern Number	<i>Example:</i> <b>YELSSDB22L, 118T, 118T</b>	(2) Glides	
2. Leg Paint Finish	<b>YEL</b> End Leg	(4) Cradles	
3. Cradle Paint Finish	<b>SS</b> Single Sided Big Table	Center Beam Support Brackets	
	<b>D</b> Desk Height	Attachment Hardware	
	<b>B</b> Basic		
	<b>22</b> Depth		
	<b>L</b> Left Support		
	<b>118T</b> Bright White Paint		
	<b>118T</b> Bright White Paint		

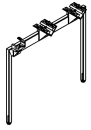
# Legs for Single Sided Big Tables

## *Adjustable Height, Basic*

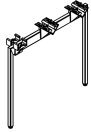
description	type	w	d	h	pattern no.	list
Adjustable Height End Legs for Single Sided Basic Big Tables (Left Shown)	Left support for 18"D single sided big table	1"	22"	27" - 30"	<b>YEL3SSAB22L</b>	\$435.
	Left support for 24", 27" or 30"D single sided big table	1"	28"	27" - 30"	<b>YEL3SSAB28L</b>	454.
	Left support for 36"D single sided big table	1"	34"	27" - 30"	<b>YEL3SSAB34L</b>	469.



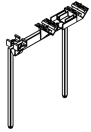
Adjustable Height End Legs for Single Sided Basic Big Tables (Right Shown)	Right support for 18"D single sided big table	1"	22"	27" - 30"	<b>YEL3SSAB22R</b>	435.
	Right support for 24", 27" or 30"D single sided big table	1"	28"	27" - 30"	<b>YEL3SSAB28R</b>	454.
	Right support for 36"D single sided big table	1"	34"	27" - 30"	<b>YEL3SSAB34R</b>	469.



Adjustable Height Intermediate Legs for Single Sided Basic Big Tables	For 18"D single sided big tables	1"	22"	27" - 30"	<b>YIL3SSAB22</b>	498.
	For 24", 27" or 30"D single sided big tables	1"	28"	27" - 30"	<b>YIL3SSAB28</b>	517.
	For 36"D single sided big tables	1"	34"	27" - 30"	<b>YIL3SSAB34</b>	533.



Adjustable Height Inset Intermediate Legs for Single Sided Basic Big Tables	For 24", 27" or 30"D single sided big tables	1"	20"	27" - 30"	<b>YIL3SSAB20</b>	574.
	For 36"D single sided big table	1"	26"	27" - 30"	<b>YIL3SSAB26</b>	591.



### Ordering Information

#### Legs for Single Big Tables

1. Pattern Number
2. Leg Paint Finish
3. Cradle Paint Finish

### Order Code

#### Legs for Single Side Big Tables

*Example:* **YEL3SSAB22L, 118T, 118T**

<b>YEL3</b>	End Leg
<b>SS</b>	Single Sided Big Table
<b>A</b>	Adjustable Height
<b>B</b>	Basic
<b>22</b>	Depth
<b>L</b>	Left Support
<b>118T</b>	Bright White Paint
<b>118T</b>	Bright White Paint

### Included With

#### Legs for Single Side Big Tables

- (2) Glides
- (4) Cradles
- Center Beam Support Brackets
- Attachment Hardware

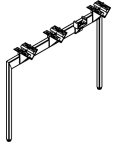
### Options

#### Legs for Single Side Big Tables

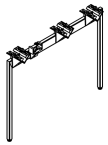
# Legs for Single Sided Big Tables

## Desk Height, Full Back

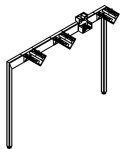
description	type	w	d	h	pattern no.	list
Desk Height End Legs for Single Sided Full Back Big Tables (Left Shown)	Left support for 18"D single sided big table	1"	28"	25"	<b>YELSSDF28L</b>	\$458.
	Left support for 24", 27" or 30"D single sided big table	1"	34"	25"	<b>YELSSDF34L</b>	471.
	Left support for 36"D single sided big table	1"	40"	25"	<b>YELSSDF40L</b>	493.



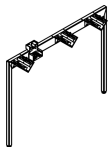
Desk Height End Legs for Single Sided Full Back Big Tables (Right Shown)	Right support for 18"D single sided big table	1"	28"	25"	<b>YELSSDF28R</b>	458.
	Right support for 24", 27" or 30"D single sided big table	1"	34"	25"	<b>YELSSDF34R</b>	471.
	Right support for 36"D single sided big table	1"	40"	25"	<b>YELSSDF40R</b>	493.



Desk Height Table Desk End Leg for Single Sided Full Back Big Tables (Left Shown)	Left support for 24"D single sided big table	1"	35 1/2"	27"	<b>YELSSSDF36L</b>	944.
	Left support for 27"D single sided big table	1"	38 1/2"	27"	<b>YELSSSDF39L</b>	944.
	Left support for 30"D single sided big table	1"	41 1/2"	27"	<b>YELSSSDF42L</b>	944.



Desk Height Table Desk End Leg for Single Sided Full Back Big Tables (Right Shown)	Right support for 24"D single sided big table	1"	35 1/2"	27"	<b>YELSSSDF36R</b>	944.
	Right support for 27"D single sided big table	1"	38 1/2"	27"	<b>YELSSSDF39R</b>	944.
	Right support for 30"D single sided big table	1"	41 1/2"	27"	<b>YELSSSDF42R</b>	944.

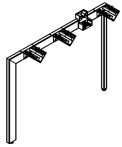


Ordering Information	Order Code	Included With	Options
<b>Legs for Single Big Tables</b>	<b>Legs for Single Side Big Tables</b>	<b>Legs for Single Side Big Tables</b>	<b>Legs for Single Side Big Tables</b>
1. Pattern Number	<i>Example:</i> <b>YELSSDF28L, 118T, 118T</b>	(2) Glides	
2. Leg Paint Finish	<b>YEL</b> End Leg	(4) Cradles	
3. Cradle Paint Finish	<b>SS</b> Single Sided Big Table	Center Beam Support Brackets	
	<b>D</b> Desk Height	Attachment Hardware	
	<b>F</b> Full Performance		
	<b>28</b> Depth		
	<b>L</b> Left Support		
	<b>118T</b> Bright White Paint		
	<b>118T</b> Bright White Paint		

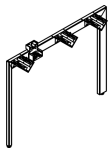
# Legs for Single Sided Big Tables

## Desk Height, Full Back

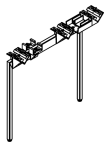
description	type	w	d	h	pattern no.	list
Desk Height Wide End Leg for Single Sided Full Back Big Tables (Left Shown)	Left support for 24"D single sided big table	1"	35 1/2"	27"	<b>YELWSSDF36L</b>	\$954.
	Left support for 27"D single sided big table	1"	38 1/2"	27"	<b>YELWSSDF39L</b>	954.
	Left support for 30"D single sided big table	1"	41 1/2"	27"	<b>YELWSSDF42L</b>	954.



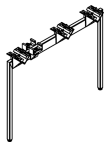
Desk Height Wide End Leg for Single Sided Full Back Big Tables (Right Shown)	Right support for 24"D single sided big table	1"	35 1/2"	27"	<b>YELWSSDF36R</b>	954.
	Right support for 27"D single sided big table	1"	38 1/2"	27"	<b>YELWSSDF39R</b>	954.
	Right support for 30"D single sided big table	1"	41 1/2"	27"	<b>YELWSSDF42R</b>	954.



Desk Height Inset Intermediate Legs for Single Sided Full Back Big Tables	For 24", 27" or 30"D single sided big table	1"	26 1/2"	25"	<b>YILSSDF26</b>	584.
	For 36"D single sided big table	1"	32 1/2"	25"	<b>YILSSDF32</b>	598.



Desk Height Intermediate Legs for Single Sided Full Back Big Tables	For 18"D single sided big tables	1"	28"	25"	<b>YILSSDF28</b>	512.
	For 24", 27" or 30"D single sided big table	1"	34"	25"	<b>YILSSDF34</b>	528.
	For 36"D single sided big table	1"	40"	25"	<b>YILSSDF40</b>	588.

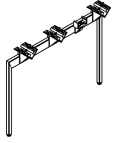


Ordering Information	Order Code	Included With	Options
<b>Legs for Single Big Tables</b>	<b>Legs for Single Side Big Tables</b>	<b>Legs for Single Side Big Tables</b>	<b>Legs for Single Side Big Tables</b>
1. Pattern Number	<i>Example:</i> <b>YELSSDF28L, 118T, 118T</b>	(2) Glides	
2. Leg Paint Finish	<b>YEL</b> End Leg	(4) Cradles	
3. Cradle Paint Finish	<b>SS</b> Single Sided Big Table	Center Beam Support Brackets	
	<b>D</b> Desk Height	Attachment Hardware	
	<b>F</b> Full Performance		
	<b>28</b> Depth		
	<b>L</b> Left Support		
	<b>118T</b> Bright White Paint		
	<b>118T</b> Bright White Paint		

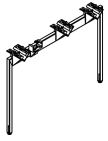
# Legs for Single Sided Big Tables

## *Adjustable Height, Full Back*

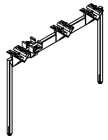
description	type	w	d	h	pattern no.	list
Adjustable Height End Legs for Single Sided Full Back Big Tables (Left Shown)	Left support for 18"D single sided big table	1"	28"	25 1/2" - 28 1/2"	<b>YELSSAF28L</b>	\$494.
	Left support for 24", 27" or 30"D single sided big table	1"	34"	25 1/2" - 28 1/2"	<b>YELSSAF34L</b>	509.
	Left support for 36"D single sided big table	1"	40"	25 1/2" - 28 1/2"	<b>YELSSAF40L</b>	532.



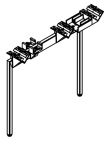
Adjustable Height End Legs for Single Sided Full Back Big Tables (Right Shown)	Right support for 18"D single sided big table	1"	28"	25 1/2" - 28 1/2"	<b>YELSSAF28R</b>	494.
	Right support for 24", 27" or 30"D single sided big table	1"	34"	25 1/2" - 28 1/2"	<b>YELSSAF34R</b>	509.
	Right support for 36"D single sided big table	1"	40"	25 1/2" - 28 1/2"	<b>YELSSAF40R</b>	532.



Adjustable Height Intermediate Legs for Single Sided Full Back Big Tables	For 18"D single sided big tables	1"	28"	25 1/2" - 28 1/2"	<b>YILSSAF28</b>	550.
	For 24", 27" or 30"D single sided big tables	1"	34"	25 1/2" - 28 1/2"	<b>YILSSAF34</b>	566.
	For 36"D single sided big tables	1"	40"	25 1/2" - 28 1/2"	<b>YILSSAF40</b>	588.



Adjustable Height Inset Intermediate Legs for Single Sided Full Back Big Tables	For 24", 27" or 30"D single sided big tables	1"	26 1/2"	25 1/2" - 28 1/2"	<b>YILSSAF26</b>	622.
	For 36"D single sided big table	1"	32 1/2"	25 1/2" - 28 1/2"	<b>YILSSAF32</b>	635.



Ordering Information	Order Code	Included With	Options
<b>Legs for Single Big Tables</b>	<b>Legs for Single Side Big Tables</b>	<b>Legs for Single Side Big Tables</b>	<b>Legs for Single Side Big Tables</b>
1. Pattern Number	<i>Example:</i> <b>YELSSAF28L, 118T, 118T</b>	(2) Glides	
2. Leg Paint Finish	<b>YEL</b> End Leg	(4) Cradles	
3. Cradle Paint Finish	<b>SS</b> Single Sided Big Table	Center Beam Support Brackets	
	<b>A</b> Adjustable Height	Attachment Hardware	
	<b>F</b> Full Performance		
	<b>28</b> Depth		
	<b>L</b> Left Support		
	<b>118T</b> Bright White Paint		
	<b>118T</b> Bright White Paint		

# Modesty Panels for Desks or Returns

## Planning Guidelines and Specifications

Modesty panels enable full width, recessed or flush enclosure under Antenna desks, returns or bridge top applications and can also be planned for use with end panels. Modesty panels are suspended from the desktop and available in half height or full height versions. In both heights, modesty panels can be specified with or without a 1 1/4" high cord passage at the top to enable wire management or clamp-on accessories like Sapper monitor arms or desktop outlet center.

Half height modesty panels for desks start 10 1/2" above the floor, aligning with suspended files. Both modesty heights typically correspond in width to desk tops and are available in 6" wide increments from 36" to 84". Modesty panels include two or three brackets to the underside of a desktop and offset brackets to secure the inside of the panel to the back of Antenna desk and legs. Offset brackets define a 3/4" space between the inside of the panel and the back edge of the desk end legs.

When planning a desk with a modesty panel that is flush with the front edge of the top, specify standard depth desk end legs, actual depth is 3" less than the top depth. Modesty panels without a cord passage that are flush with the front edge of a desk top should not be planned in combination with Overlay tops.

When planning a modesty panel that is recessed 3" or 6" from the front edge of the top, specify legs that correspond to a top that is 3" or 6" less deep, actual leg depth is 6" or 9" less than the top depth. For example, a desk top 30" deep can be specified with 24" or 21" deep standard desk end leg to enable the modesty panel to be recessed 3" or 6" from the front edge of the top.

Modesty panels are not designed to be used in combination with table desk end legs.

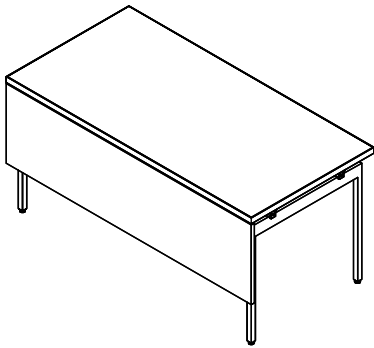
Modesty panel brackets do not deface the legs and may be added or removed without disassembling the desk.

### Construction

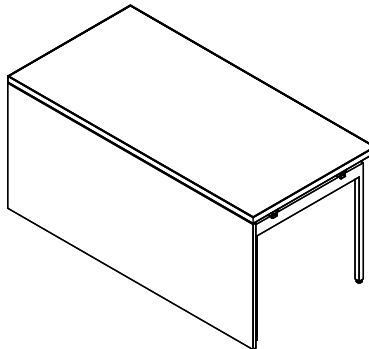
Modesty panels are 3/4" thick veneer, laminate or painted wood and include steel and cast aluminum brackets.

### Specification Options

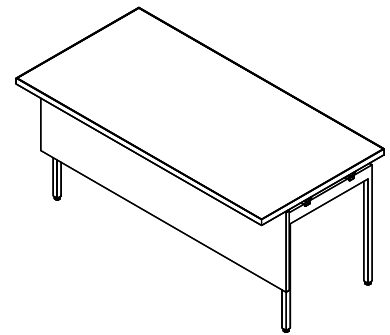
Specify modesty panels in any Knoll Core paint finish, solid laminate, patterned and woodgrain laminate up to 60"W, or veneer. Specify bracket color in any Knoll Core paint finish.



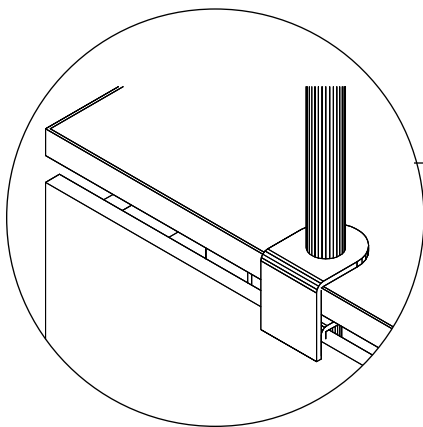
Desk with Partial Height Modesty Panel



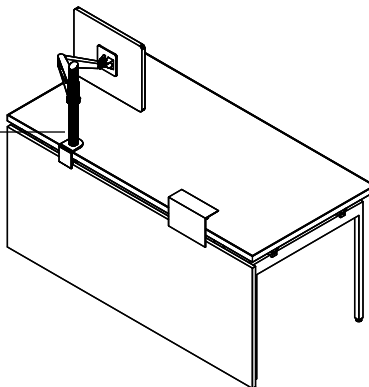
Desk with Full Height Modesty Panel



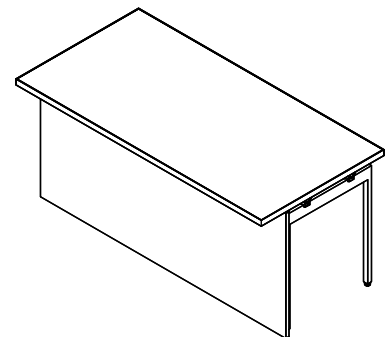
Desk with Recessed Partial Height Modesty Panel



Sapper Monitor Arm Desk Clamp with Modesty Panel Cord Passage



Desk with Full Height Modesty Panel with Cord Passage

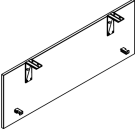
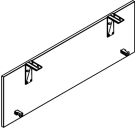


Desk with Recessed Full Height Modesty Panel

# Modesty Panels for Desks or Returns

## Half Height

### Painted, Laminate or Veneer

description	type	w	d	h	pattern no.	Painted (P)	Laminate (L)	V1 (V)	V2 (V)	V3 (V)
Modesty Panels for Desks or Returns, Half Height 	For 36" Wide Tops	36"	3/4"	16 7/8"	<b>YMP1736( )</b>	\$276.	\$301.	\$659.	\$757.	\$986.
	For 42" Wide Tops	42"	3/4"	16 7/8"	<b>YMP1742( )</b>	283.	308.	680.	782.	1,017.
	For 48" Wide Tops	48"	3/4"	16 7/8"	<b>YMP1748( )</b>	288.	331.	705.	813.	1,057.
	For 54" Wide Tops	54"	3/4"	16 7/8"	<b>YMP1754( )</b>	295.	338.	733.	842.	1,095.
	For 60" Wide Tops	60"	3/4"	16 7/8"	<b>YMP1760( )</b>	347.	432.	787.	903.	1,173.
	For 66" Wide Tops	66"	3/4"	16 7/8"	<b>YMP1766( )</b>	390.	476.	806.	927.	1,207.
	For 72" Wide Tops	72"	3/4"	16 7/8"	<b>YMP1772( )</b>	396.	483.	830.	953.	1,239.
	For 78" Wide Tops	78"	3/4"	16 7/8"	<b>YMP1778( )</b>	403.	488.	860.	990.	1,286.
	For 84" Wide Tops	84"	3/4"	16 7/8"	<b>YMP1784( )</b>	408.	494.	881.	1,014.	1,317.
Modesty Panels for Desks or Returns, Half Height with Cord Passage 	For 36" Wide Tops	36"	3/4"	15 7/8"	<b>YMP1636( )</b>	276.	301.	659.	757.	986.
	For 42" Wide Tops	42"	3/4"	15 7/8"	<b>YMP1642( )</b>	283.	308.	680.	782.	1,017.
	For 48" Wide Tops	48"	3/4"	15 7/8"	<b>YMP1648( )</b>	288.	331.	705.	813.	1,057.
	For 54" Wide Tops	54"	3/4"	15 7/8"	<b>YMP1654( )</b>	295.	338.	733.	842.	1,095.
	For 60" Wide Tops	60"	3/4"	15 7/8"	<b>YMP1660( )</b>	347.	432.	787.	903.	1,173.
	For 66" Wide Tops	66"	3/4"	15 7/8"	<b>YMP1666( )</b>	390.	476.	806.	927.	1,207.
	For 72" Wide Tops	72"	3/4"	15 7/8"	<b>YMP1672( )</b>	396.	483.	830.	953.	1,239.
	For 78" Wide Tops	78"	3/4"	15 7/8"	<b>YMP1678( )</b>	403.	488.	860.	990.	1,286.
	For 84" Wide Tops	84"	3/4"	15 7/8"	<b>YMP1684( )</b>	408.	494.	881.	1,014.	1,317.

Desk and Table Support

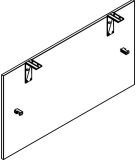
Ordering Information	Order Code	Included With	Options
<b>Modesty Panels for Desks or Returns</b> 1. Pattern Number 2. Surface Finish 3. Bracket Paint Finish	<b>Modesty Panels for Desks or Returns</b> <i>Example: YMP1748P, 118T, 118T</i> <b>YMP</b> Modesty Panel <b>17</b> Height <b>48</b> Width <b>P</b> Paint <b>118T</b> Bright White Paint <b>118T</b> Bright White Paint	<b>Modesty Panels for Desks or Returns</b> Attachment brackets Hardware	<b>Modesty Panels for Desks or Returns</b> <b>Finish Options:</b> (P) = Painted (L) = Laminate (V) = Veneer

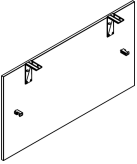


# Modesty Panels for Desks or Returns

## Full Height

### Painted, Laminate or Veneer

description	type	w	d	h	pattern no.	Painted (P)	Laminate (L)	V1 (V)	V2 (V)	V3 (V)
Modesty Panels for Desks or Returns, Full Height 	For 36" Wide Tops	36"	3/4"	26 1/2"	<b>YMP2736( )</b>	\$297.	\$374.	\$736.	\$847.	\$1,100.
	For 42" Wide Tops	42"	3/4"	26 1/2"	<b>YMP2742( )</b>	307.	385.	766.	882.	1,147.
	For 48" Wide Tops	48"	3/4"	26 1/2"	<b>YMP2748( )</b>	318.	392.	806.	930.	1,208.
	For 54" Wide Tops	54"	3/4"	26 1/2"	<b>YMP2754( )</b>	326.	401.	838.	964.	1,255.
	For 60" Wide Tops	60"	3/4"	26 1/2"	<b>YMP2760( )</b>	383.	541.	909.	1,048.	1,362.
	For 66" Wide Tops	66"	3/4"	26 1/2"	<b>YMP2766( )</b>	428.	588.	944.	1,085.	1,411.
	For 72" Wide Tops	72"	3/4"	26 1/2"	<b>YMP2772( )</b>	438.	596.	973.	1,121.	1,457.
	For 78" Wide Tops	78"	3/4"	26 1/2"	<b>YMP2778( )</b>	448.	606.	1,015.	1,166.	1,517.
	For 84" Wide Tops	84"	3/4"	26 1/2"	<b>YMP2784( )</b>	458.	615.	1,046.	1,203.	1,563.

Modesty Panels for Desks or Returns, Full Height with Cord Passage 	For 36" Wide Tops	36"	3/4"	25 1/2"	<b>YMP2636( )</b>	297.	374.	736.	847.	1,100.
	For 42" Wide Tops	42"	3/4"	25 1/2"	<b>YMP2642( )</b>	307.	385.	766.	882.	1,147.
	For 48" Wide Tops	48"	3/4"	25 1/2"	<b>YMP2648( )</b>	318.	392.	806.	930.	1,208.
	For 54" Wide Tops	54"	3/4"	25 1/2"	<b>YMP2654( )</b>	326.	401.	838.	964.	1,255.
	For 60" Wide Tops	60"	3/4"	25 1/2"	<b>YMP2660( )</b>	383.	541.	909.	1,048.	1,362.
	For 66" Wide Tops	66"	3/4"	25 1/2"	<b>YMP2666( )</b>	428.	588.	944.	1,085.	1,411.
	For 72" Wide Tops	72"	3/4"	25 1/2"	<b>YMP2672( )</b>	438.	596.	973.	1,121.	1,457.
	For 78" Wide Tops	78"	3/4"	25 1/2"	<b>YMP2678( )</b>	448.	606.	1,015.	1,166.	1,517.
	For 84" Wide Tops	84"	3/4"	25 1/2"	<b>YMP2684( )</b>	458.	615.	1,046.	1,203.	1,563.

#### Ordering Information

##### Modesty Panels for Desks or Returns

1. Pattern Number
2. Surface Finish
3. Bracket Paint Finish

#### Order Code

##### Modesty Panels for Desks or Returns

*Example:* **YMP2748P, 118T, 118T**

<b>YMP</b>	Modesty Panel
<b>27</b>	Height
<b>48</b>	Width
<b>P</b>	Paint
<b>118T</b>	Bright White Paint
<b>118T</b>	Bright White Paint

#### Included With

##### Modesty Panels for Desks or Returns

Attachment brackets  
Hardware

#### Options

##### Modesty Panels for Desks or Returns

**Finish Options:**  
(P) = Painted  
(L) = Laminate  
(V) = Veneer

# Back Panels for Single Sided Big Tables

## Planning Guidelines and Specifications

Back panels provide full enclosure on the back side of a single sided big table, from the underside of the top to within an inch above the floor. Back panels are available in 6" increments of width from 48" to 84" and should be specified in the same width as the top above.

Back panels can be planned with or without single sided big table end panels.

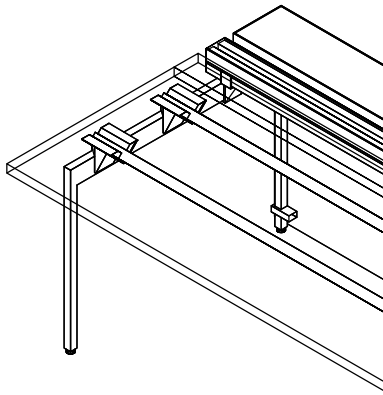
Back panel brackets do not deface the legs and may be added or removed without disassembling the big table.

### Construction

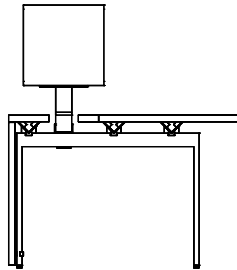
Back panels are 3/4" thick veneer, laminate or painted wood. Back panels include two or three top attachment brackets and brackets that secure the bottom of the back panel to the back of the big table end or intermediate legs. Brackets are steel and cast aluminum.

### Specification Options

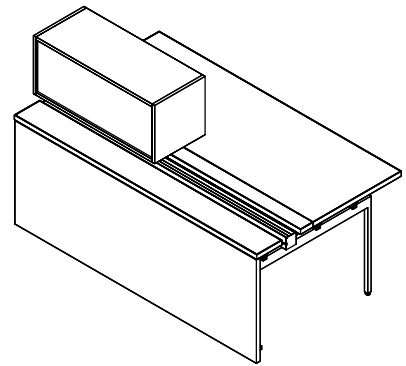
Specify back panels in any Knoll Core paint finish, solid laminate, patterned and woodgrain laminate up to 60"W, or veneer. Specify bracket color in any Knoll finish.



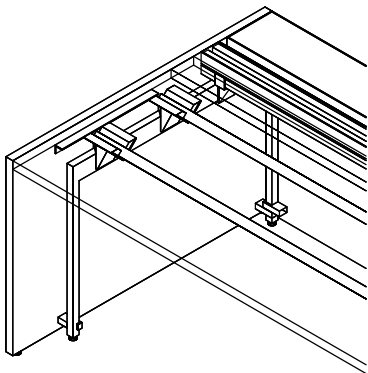
Single Sided Big Table with Back Panel



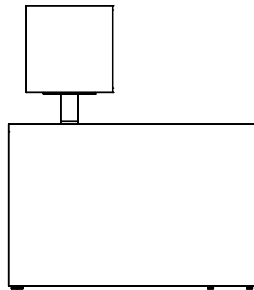
Single Sided Big Table with Back Panel End Elevation



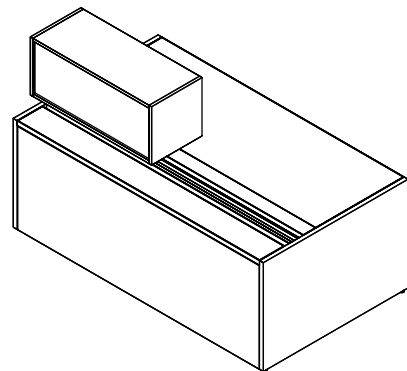
Single Sided Big Table with Back Panel



Single Sided Big Table with Back Panel and End Panel



Single Sided Big Table with Back Panel and End Panel End Elevation

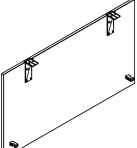


Single Sided Big Table with Back Panel and End Panel End Elevation

# Back Panels for Single Sided Big Tables

## Full Performance

### Painted, Laminate or Veneer

description	type	w	d	h	pattern no.	Painted (P)	Laminate (L)	V1 (V)	V2 (V)	V3 (V)
Back Panels for Single Sided Big Table, Full Performance 	For 48" Wide Tops	48"	3/4"	27"	<b>YBPSSF2748()</b>	\$318.	\$392.	\$806.	\$930.	\$1,208.
	For 54" Wide Tops	54"	3/4"	27"	<b>YBPSSF2754()</b>	326.	401.	838.	964.	1,255.
	For 60" Wide Tops	60"	3/4"	27"	<b>YBPSSF2760()</b>	383.	541.	909.	1,048.	1,362.
	For 66" Wide Tops	66"	3/4"	27"	<b>YBPSSF2766()</b>	428.	588.	944.	1,085.	1,411.
	For 72" Wide Tops	72"	3/4"	27"	<b>YBPSSF2772()</b>	438.	596.	973.	1,121.	1,457.
	For 78" Wide Tops	78"	3/4"	27"	<b>YBPSSF2778()</b>	448.	606.	1,015.	1,166.	1,517.
	For 84" Wide Tops	84"	3/4"	27"	<b>YBPSSF2784()</b>	458.	615.	1,046.	1,203.	1,563.

#### Ordering Information

##### Back Panels for Single Sided Big Tables

1. Pattern Number
2. Surface Finish
3. Bracket Paint Finish

#### Order Code

##### Back Panels for Single Sided Tables

*Example:* **YBPSSF2748P, 118T, 118T**

<b>YBP</b>	Back Panel
<b>SS</b>	Single Sided Big Table
<b>F</b>	Full Performance
<b>27</b>	Height
<b>48</b>	Width
<b>P</b>	Paint
<b>118T</b>	Bright White Paint
<b>118T</b>	Bright White Paint

#### Included With

##### Back Panels for Single Sided Big Tables

Attachment brackets  
Hardware

#### Options

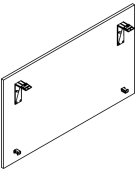
##### Back Panels for Single Sided Big Tables

**Finish Options:**  
(P) = Painted  
(L) = Laminate  
(V) = Veneer

# Back Panels for Single Sided Big Tables

## Basic

### Painted, Laminate or Veneer

description	type	w	d	h	pattern no.	Painted (P)	Laminate (L)	V1 (V)	V2 (V)	V3 (V)
	For 48" Wide Tops	48"	3/4"	27"	<b>YBPSSB2748( )</b>	\$318.	\$392.	\$806.	\$930.	\$1,208.
	For 54" Wide Tops	54"	3/4"	27"	<b>YBPSSB2754( )</b>	326.	401.	838.	964.	1,255.
	For 60" Wide Tops	60"	3/4"	27"	<b>YBPSSB2760( )</b>	383.	541.	909.	1,048.	1,362.
	For 66" Wide Tops	66"	3/4"	27"	<b>YBPSSB2766( )</b>	428.	588.	944.	1,085.	1,411.
	For 72" Wide Tops	72"	3/4"	27"	<b>YBPSSB2772( )</b>	438.	596.	973.	1,121.	1,457.
	For 78" Wide Tops	78"	3/4"	27"	<b>YBPSSB2778( )</b>	448.	606.	1,015.	1,166.	1,517.
	For 84" Wide Tops	84"	3/4"	27"	<b>YBPSSB2784( )</b>	458.	615.	1,046.	1,203.	1,563.

#### Ordering Information

##### Back Panels for Single Sided Big Tables

1. Pattern Number
2. Surface Finish
3. Bracket Paint Finish

#### Order Code

##### Back Panels for Single Sided Tables

*Example:* **YBPSSB2748P, 118T, 118T**

<b>YBP</b>	Back Panel
<b>SS</b>	Single Sided Big Table
<b>B</b>	Basic
<b>27</b>	Height
<b>48</b>	Width
<b>P</b>	Paint
<b>118T</b>	Bright White Paint
<b>118T</b>	Bright White Paint

#### Included With

##### Back Panels for Single Sided Big Tables

Attachment brackets  
Hardware

#### Options

##### Back Panels for Single Sided Big Tables

##### Finish Options:

(P) = Painted  
(L) = Laminate  
(V) = Veneer

# End Panels

## For Desks or Returns

### Planning Guidelines and Specifications

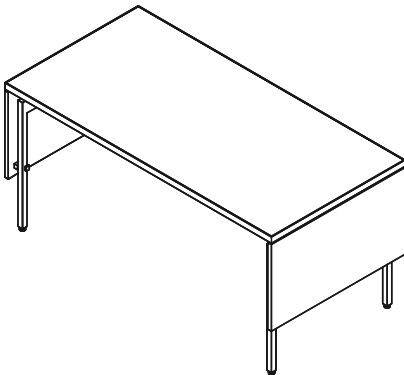
End panels for desks can be planned with modesty panels or independently to add enclosure below Antenna desk tops. End panels are added outside the standard Antenna desk structure and do not touch the floor. End panels are available in half height or full height versions.

**END PANELS DO NOT TAKE THE PLACE OF END LEGS OR PROVIDE SUPPORT.**

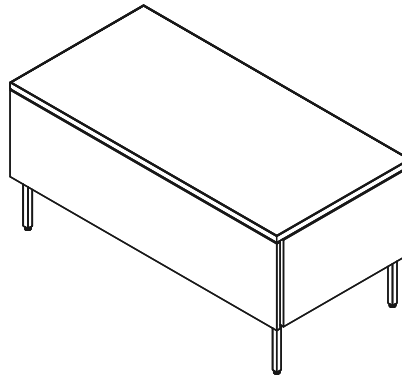
Half height versions start 10" above the floor, aligning with suspended files. In both heights, end panels can be specified with or without a 1 1/4" high cord passage at the top to enable wire management or clamp-on accessories like Sapper monitor arms or desktop power center.

End panels used independently, without a modesty panel, are full depth to match desk tops 18", 24", 27", 30" or 36" deep.

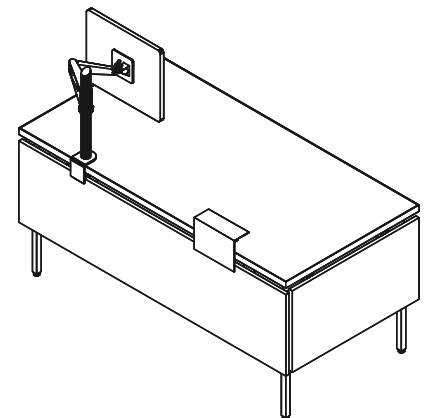
End panels for Antenna desks with modesty enclose the end of a desk in combination with a modesty panel. End panels for use in combination with an overlapping modesty panel are 1 1/2" less deep than the standard top depth. End panels are designed to be flush with the end and front edge of a desk top and align with the back edge of the desk end leg.



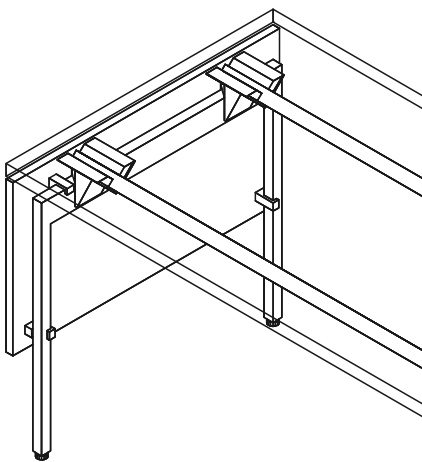
Desk with Partial Height End Panel



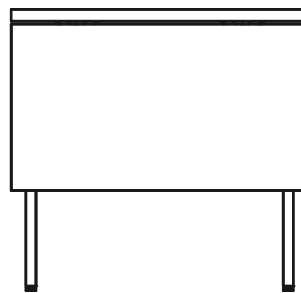
Desk with Partial Height End and Modesty Panel



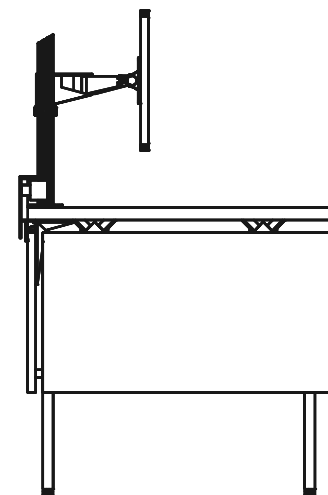
Desk with Partial Height End and Modesty Panel with Cord Passage



Desk with Partial Height End Panel



Desk with Partial Height End Panel Elevation



Desk with Partial Height End and Modesty Panel with Cord Passage Elevation

# End Panels

## For Desks or Returns

### Planning Guidelines and Specifications

End panels include two brackets over the top of an adjacent end leg and offset brackets to secure the inside of the panel to the side of the leg. Offset brackets define a 3/4" space between the end panel and the side of the desk end legs. When installed together there is a 3/4" reveal between the end panel and the inside of the modesty. End panels require a standard desk end leg positioned 1 1/2" from end of desk top for support.

Because of crisp edge details, desk end panels should not be planned in combination with radius corner Overlay tops, but can be planned with crisp corner "Benching" type Overlay tops.

End panels are not designed to be used in combination with table desk end legs.

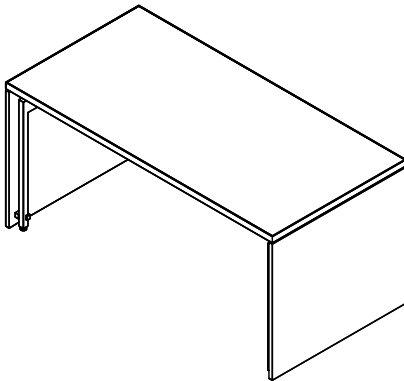
End panel brackets do not deface the legs and may be added or removed without disassembling the desk.

#### Construction

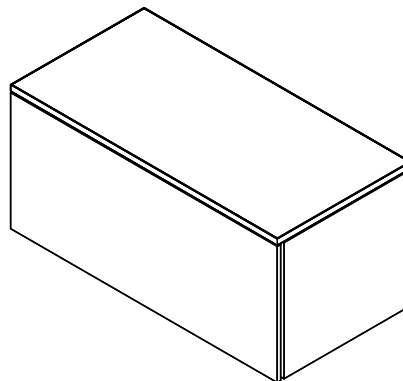
End panels are 3/4" thick veneer, laminate, or painted wood and include steel and cast aluminum brackets.

#### Specification Options

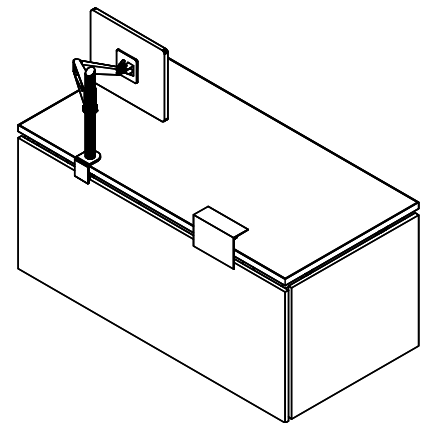
Specify end panels in any Knoll Core paint finish, solid laminate, patterned and woodgrain laminate up to 60"W, or veneer. Also, specify bracket color in any Knoll Core paint finish.



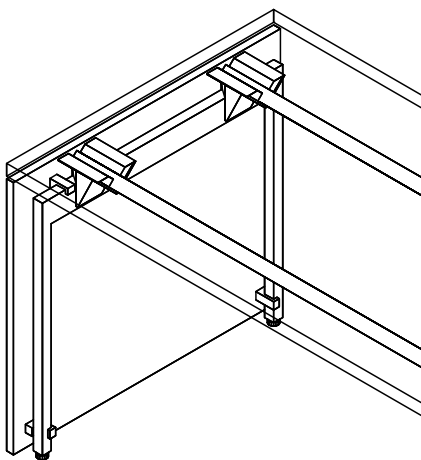
Desk with Full Height End Panel



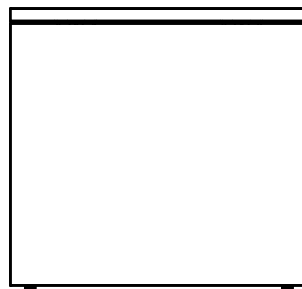
Desk with Full Height End and Modesty Panel



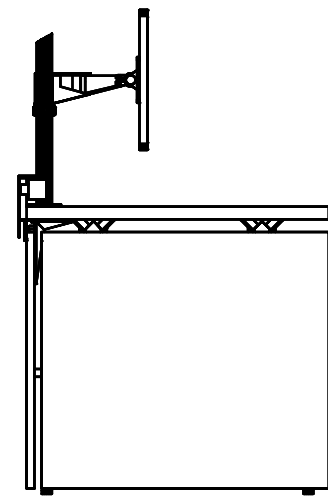
Desk with Full Height End and Modesty Panel with Cord Passage



Desk with Full Height End Panel



Desk with Full Height End Panel Elevation

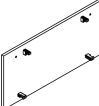


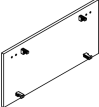
Desk with Full Height End and Modesty Panel with Cord Passage Elevation

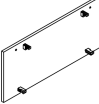
# End Panels

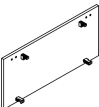
## Half Height for Desks or Returns

### Painted, Laminate or Veneer

description	type	w	d	h	pattern no.	Painted (P)	Laminate (L)	V1 (V)	V2 (V)	V3 (V)
 End Panels for Desks or Returns, Half Height	For 18" Deep Tops	18"	3/4"	16 7/8"	<b>YEP1718()</b>	\$198.	\$195.	\$579.	\$665.	\$865.
	For 24" Deep Tops	24"	3/4"	16 7/8"	<b>YEP1724()</b>	205.	206.	609.	700.	909.
	For 27" Deep Tops	27"	3/4"	16 7/8"	<b>YEP1727()</b>	208.	209.	627.	722.	939.
	For 30" Deep Tops	30"	3/4"	16 7/8"	<b>YEP1730()</b>	211.	225.	635.	732.	951.
	For 36" Deep Tops	36"	3/4"	16 7/8"	<b>YEP1736()</b>	217.	243.	658.	756.	984.

 End Panels for Desks or Returns, Half Height for use with Modesty Panels	For 18" Deep Tops	16 1/2"	3/4"	16 7/8"	<b>YEP1717()</b>	198.	195.	586.	673.	876.
	For 24" Deep Tops	22 1/2"	3/4"	16 7/8"	<b>YEP1723()</b>	205.	206.	607.	698.	906.
	For 27" Deep Tops	25 1/2"	3/4"	16 7/8"	<b>YEP1726()</b>	209.	210.	628.	723.	940.
	For 30" Deep Tops	28 1/2"	3/4"	16 7/8"	<b>YEP1729()</b>	211.	212.	642.	740.	963.
	For 36" Deep Tops	34 1/2"	3/4"	16 7/8"	<b>YEP1735()</b>	217.	243.	665.	763.	994.

 End Panels for Desks or Returns, Half Height with Cord Passage	For 18" Deep Tops	18"	3/4"	15 7/8"	<b>YEP1618()</b>	198.	195.	579.	665.	865.
	For 24" Deep Tops	24"	3/4"	15 7/8"	<b>YEP1624()</b>	205.	206.	609.	700.	909.
	For 27" Deep Tops	27"	3/4"	15 7/8"	<b>YEP1627()</b>	208.	209.	627.	722.	939.
	For 30" Deep Tops	30"	3/4"	15 7/8"	<b>YEP1630()</b>	211.	225.	635.	732.	951.
	For 36" Deep Tops	36"	3/4"	15 7/8"	<b>YEP1636()</b>	217.	243.	658.	756.	984.

 End Panels for Desks or Returns, Half Height with Cord Passage for use with Modesty Panels	For 18" Deep Tops	16 1/2"	3/4"	15 7/8"	<b>YEP1617()</b>	198.	195.	586.	673.	876.
	For 24" Deep Tops	22 1/2"	3/4"	15 7/8"	<b>YEP1623()</b>	205.	206.	607.	698.	906.
	For 27" Deep Tops	25 1/2"	3/4"	15 7/8"	<b>YEP1626()</b>	209.	210.	628.	723.	940.
	For 30" Deep Tops	28 1/2"	3/4"	15 7/8"	<b>YEP1629()</b>	211.	212.	642.	740.	963.
	For 36" Deep Tops	34 1/2"	3/4"	15 7/8"	<b>YEP1635()</b>	217.	243.	665.	763.	994.

#### Ordering Information

#### End Panels for Desks or Returns

1. Pattern Number
2. Surface Finish
3. Bracket Paint Finish

#### Order Code

#### End Panels for Desks or Returns

*Example:* **YEP1724P, 118T, 118T**

<b>YEP</b>	End Panel
<b>17</b>	Height
<b>24</b>	Width
<b>P</b>	Paint
<b>118T</b>	Bright White Paint
<b>118T</b>	Bright White Paint

#### Included With

**End Panels for Desks or Returns**  
Attachment brackets  
Hardware

#### Options

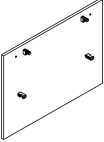
#### End Panels for Desks or Returns

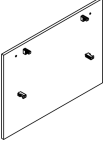
**Finish Options:**  
(P) = Painted  
(L) = Laminate  
(V) = Veneer

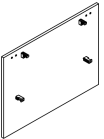
# End Panels

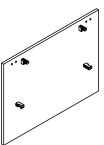
## Full Height for Desks or Returns

### Painted, Laminate or Veneer

description	type	w	d	h	pattern no.	Painted (P)	Laminate (L)	V1 (V)	V2 (V)	V3 (V)
 End Panels for Desks or Returns, Full Height	For 18" Deep Tops	18"	3/4"	26 1/2"	<b>YEP2718( )</b>	\$209.	\$223.	\$620.	\$714.	\$927.
	For 24" Deep Tops	24"	3/4"	26 1/2"	<b>YEP2724( )</b>	218.	242.	661.	760.	991.
	For 27" Deep Tops	27"	3/4"	26 1/2"	<b>YEP2727( )</b>	222.	246.	676.	777.	1,013.
	For 30" Deep Tops	30"	3/4"	26 7/8"	<b>YEP2730( )</b>	226.	268.	703.	808.	1,054.
	For 36" Deep Tops	36"	3/4"	26 1/2"	<b>YEP2736( )</b>	238.	277.	734.	845.	1,098.

 End Panels for Desks or Returns, Full Height for use with Modesty Panels	For 18" Deep Tops	16 1/2"	3/4"	26 1/2"	<b>YEP2717( )</b>	209.	223.	626.	721.	935.
	For 24" Deep Tops	22 1/2"	3/4"	26 1/2"	<b>YEP2723( )</b>	218.	232.	657.	755.	983.
	For 27" Deep Tops	25 1/2"	3/4"	26 1/2"	<b>YEP2726( )</b>	222.	246.	682.	787.	1,022.
	For 30" Deep Tops	28 1/2"	3/4"	26 1/2"	<b>YEP2729( )</b>	226.	251.	698.	802.	1,044.
	For 36" Deep Tops	34 1/2"	3/4"	26 1/2"	<b>YEP2735( )</b>	238.	298.	732.	841.	1,093.

 End Panels for Desks or Returns, Full Height with Cord Passage	For 18" Deep Tops	18"	3/4"	25 1/2"	<b>YEP2618( )</b>	209.	223.	620.	714.	927.
	For 24" Deep Tops	24"	3/4"	25 1/2"	<b>YEP2624( )</b>	218.	242.	661.	760.	991.
	For 27" Deep Tops	27"	3/4"	25 1/2"	<b>YEP2627( )</b>	222.	246.	676.	777.	1,013.
	For 30" Deep Tops	30"	3/4"	25 1/2"	<b>YEP2630( )</b>	226.	268.	703.	808.	1,054.
	For 36" Deep Tops	36"	3/4"	25 1/2"	<b>YEP2636( )</b>	238.	277.	738.	845.	1,098.

 End Panels for Desks or Returns, Full Height with Cord Passage for use with Modesty Panels	For 18" Deep Tops	16 1/2"	3/4"	25 1/2"	<b>YEP2617( )</b>	209.	223.	626.	721.	935.
	For 24" Deep Tops	22 1/2"	3/4"	25 1/2"	<b>YEP2623( )</b>	218.	232.	657.	755.	983.
	For 27" Deep Tops	25 1/2"	3/4"	25 1/2"	<b>YEP2626( )</b>	222.	246.	682.	787.	1,022.
	For 29" Deep Tops	28 1/2"	3/4"	25 1/2"	<b>YEP2629( )</b>	226.	251.	698.	802.	1,044.
	For 36" Deep Tops	34 1/2"	3/4"	25 1/2"	<b>YEP2635( )</b>	238.	298.	732.	841.	1,093.

Desk and Table Support

Ordering Information	Order Code	Included With	Options
<b>End Panels for Desks or Returns</b> 1. Pattern Number 2. Surface Finish 3. Bracket Paint Finish	<b>End Panels for Desks or Returns</b> <i>Example:</i> <b>YEP2724P, 118T, 118T</b> <b>YEP</b> End Panel <b>27</b> Height <b>24</b> Width <b>P</b> Paint <b>118T</b> Bright White Paint <b>118T</b> Bright White Paint	<b>End Panels for Desks or Returns</b> Attachment brackets Hardware	<b>End Panels for Desks or Returns</b> <b>Finish Options:</b> (P) = Painted (L) = Laminate (V) = Veneer



# End Panels

## For Back to Back Desks

### Planning Guidelines and Specifications

End panels are also available in widths to enclose the end of back-to-back desks, which sit below the front edges of both tops. End panels are added outside the standard Antenna desk structure and do not touch the floor.

**END PANELS DO NOT TAKE THE PLACE OF END LEGS OR PROVIDE SUPPORT.**

End panels are available in half height or full height versions. Half height versions start 10" above the floor, aligning with suspended files.

End panels are full depth to match back-to-back desks using 18", 24", 27", 30" or 36" deep tops. Overall depths equal 40", 52", 58" and 64".

End panels include two brackets over the top of an adjacent end leg and offset brackets to secure the inside of the panel to the side of the leg. Offset brackets define a 3/4" space between the end panel and the side of the desk end legs.

End panels require a standard back-to-back desk end leg positioned 1 1/2" from end of desk top for support.

Because of crisp edge details, desk end panels should not be planned in combination with radius corner Overlay tops, but can be planned with crisp corner "Benching" type Overlay tops.

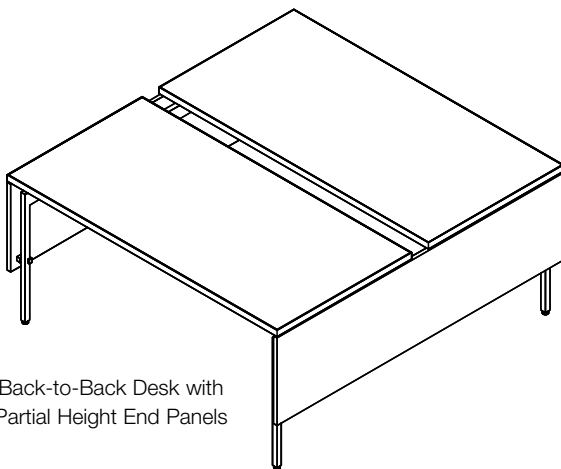
End panel brackets do not deface the legs and may be added or removed without disassembling the desk.

**Construction**

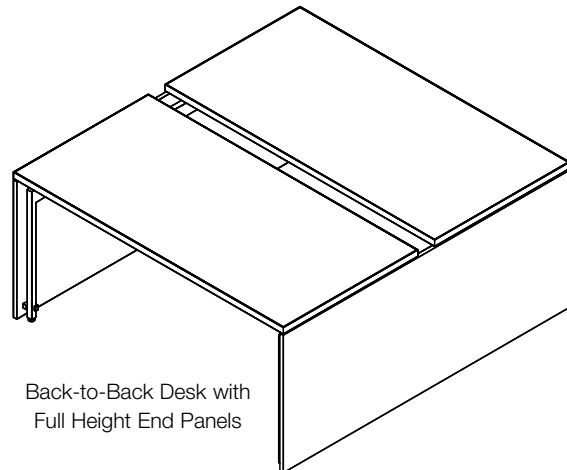
End panels are 3/4" thick veneer, laminate, or painted wood and include steel and cast aluminum brackets.

**Specification Options**

Specify end panels in any Knoll Core paint finish, solid laminate, patterned and woodgrain laminate up to 60"W, or veneer. Also, specify bracket color in any Knoll Core paint finish.



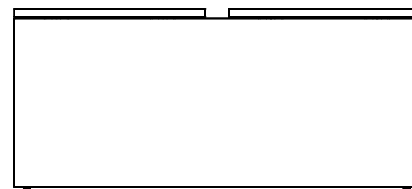
Back-to-Back Desk with Partial Height End Panels



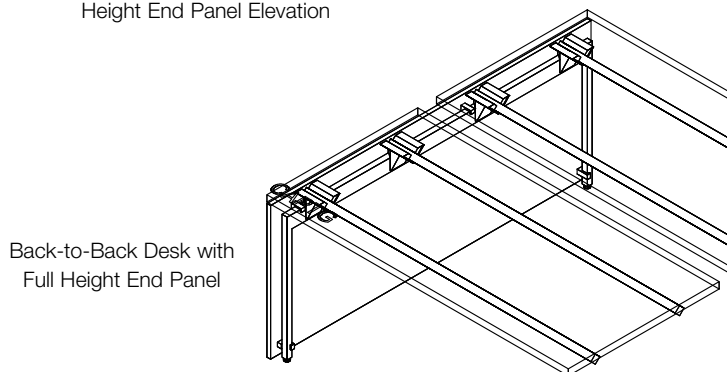
Back-to-Back Desk with Full Height End Panels



Back-to-Back Desk with Partial Height End Panel Elevation



Back-to-Back Desk with Full Height End Panel Elevation

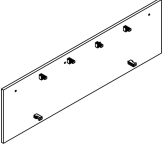


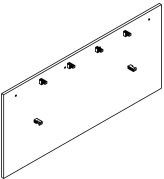
Back-to-Back Desk with Full Height End Panel

# End Panels

## For Back to Back Desks

### Painted, Laminate or Veneer

description	type	w	d	h	pattern no.	Painted (P)	Laminate (L)	V1 (V)	V2 (V)	V3 (V)
End Panels for Back to Back Desks, Half Height 	For 18" Deep Back to Back Tops	39 <sup>3</sup> / <sub>4</sub> "	<sup>3</sup> / <sub>4</sub> "	16 <sup>7</sup> / <sub>8</sub> "	<b>YEP1740( )</b>	\$283.	\$283.	\$685.	\$790.	\$1,025.
	For 24" Deep Back to Back Tops	51 <sup>3</sup> / <sub>4</sub> "	<sup>3</sup> / <sub>4</sub> "	16 <sup>7</sup> / <sub>8</sub> "	<b>YEP1752( )</b>	295.	313.	736.	848.	1,101.
	For 27" Deep Back to Back Tops	57 <sup>3</sup> / <sub>4</sub> "	<sup>3</sup> / <sub>4</sub> "	16 <sup>7</sup> / <sub>8</sub> "	<b>YEP1758( )</b>	300.	319.	758.	871.	1,133.
	For 30" Deep Back to Back Tops	63 <sup>3</sup> / <sub>4</sub> "	<sup>3</sup> / <sub>4</sub> "	16 <sup>7</sup> / <sub>8</sub> "	<b>YEP1764( )</b>	307.	400.	809.	933.	1,212.
	For 36" Deep Back to Back Tops	75 <sup>3</sup> / <sub>4</sub> "	<sup>3</sup> / <sub>4</sub> "	16 <sup>7</sup> / <sub>8</sub> "	<b>YEP1776( )</b>	320.	412.	852.	980.	1,273.

End Panels for Back to Back Desks, Full Height 	For 18" Deep Back to Back Tops	39 <sup>3</sup> / <sub>4</sub> "	<sup>3</sup> / <sub>4</sub> "	25 <sup>7</sup> / <sub>8</sub> "	<b>YEP2640( )</b>	306.	340.	766.	882.	1,147.
	For 24" Deep Back to Back Tops	51 <sup>3</sup> / <sub>4</sub> "	<sup>3</sup> / <sub>4</sub> "	25 <sup>7</sup> / <sub>8</sub> "	<b>YEP2652( )</b>	325.	373.	838.	966.	1,255.
	For 27" Deep Back to Back Tops	57 <sup>3</sup> / <sub>4</sub> "	<sup>3</sup> / <sub>4</sub> "	25 <sup>7</sup> / <sub>8</sub> "	<b>YEP2658( )</b>	334.	385.	870.	1,000.	1,301.
	For 30" Deep Back to Back Tops	63 <sup>3</sup> / <sub>4</sub> "	<sup>3</sup> / <sub>4</sub> "	25 <sup>7</sup> / <sub>8</sub> "	<b>YEP2664( )</b>	343.	413.	933.	1,072.	1,395.
	For 36" Deep Back to Back Tops	75 <sup>3</sup> / <sub>4</sub> "	<sup>3</sup> / <sub>4</sub> "	25 <sup>7</sup> / <sub>8</sub> "	<b>YEP2676( )</b>	364.	525.	1,004.	1,156.	1,501.

Desk and Table Support

Ordering Information	Order Code	Included With	Options
<b>End Panels for Back to Back Desks</b> 1. Pattern Number 2. Surface Finish 3. Bracket Paint Finish	<b>End Panels for Back to Back Desks</b> <i>Example:</i> <b>YEP1752P, 118T, 118T</b> <b>YEP</b> End Panel <b>17</b> Height <b>52</b> Width <b>P</b> Paint <b>118T</b> Bright White Paint <b>118T</b> Bright White Paint	<b>End Panels for Back to Back Desks</b> Attachment brackets Hardware	<b>End Panels for Back to Back Desks</b> <b>Finish Options:</b> (P) = Painted (L) = Laminate (V) = Veneer

# End Panels

## For Dual Big Tables

### Planning Guidelines and Specifications

End panels are also available in widths to enclose the end of dual and single sided big tables, which align with the end of the desk and the front edges of the tops. End panels are added outside the standard Antenna desk structure, which adds 2 1/2" to the overall width of the big table.

**End panels do not take the place of end legs or provide table support.**

End panels for big table enclose the end of a big table, from the floor up to the top of the desk tops and center beam. End panels do not take the place of end legs or provide support; they simply attach to the outside of big table end legs. End panels serve the same purpose as center beam end caps, so end caps do not need to be specified.

End panels are full depth to match dual sided big tables using 18", 24", 27", 30" or 36" deep tops on either side of a center beam. Single sided big tables include a full depth 18", 24", 27", 30" or 36" deep top on the primary side of the center beam and a 7 1/2" deep top on the back side of the center beam. End panels are available full depth to match the depth of single sided big tables. Big table end panels are 28 1/2" high, so the top of the end panel is flush with the desk top.

End panels include two leveling glides and brackets for attachment to the adjacent tops and big table end leg. An end panel uses two brackets for attachment over the top of an adjacent end leg and offset brackets to secure the inside of the panel to the side of the leg.

End panels require a standard big table end leg positioned 1 1/2" from end of desk top for support.

Because of crisp edge details, big end panels should not be planned in combination with radius corner Overlay tops, but can be planned with crisp corner "Benching" type Overlay tops.

End panel brackets do not deface the legs and may be added or removed without disassembling the desk.

**Construction**

End panels are 1 1/8" thick veneer, laminate or painted wood and include steel and cast aluminum brackets.

**Specification Options**

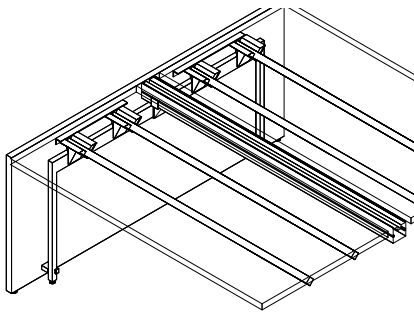
Specify end panels in any Knoll Core paint finish, solid laminate, patterned and woodgrain laminate up to 60"W, or veneer. Also, specify brackets in any Knoll Core paint finish.



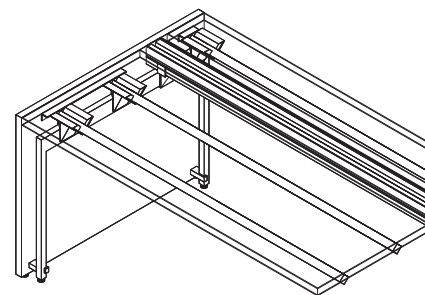
Dual Sided Big Table with End Panels Elevation



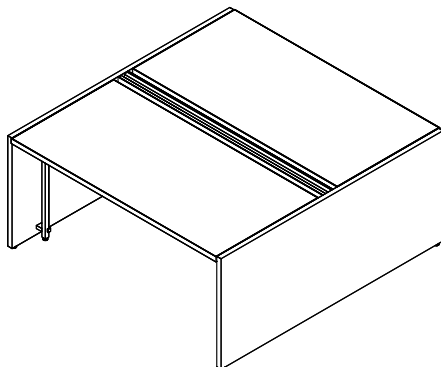
Single Sided Big Table with End Panels End Elevation



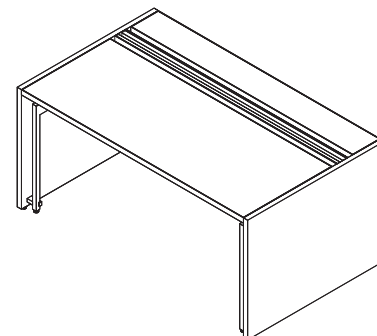
Dual Sided Big Table with End Panels Detail



Single Sided Big Table with End Panels Detail



Dual Sided Big Table with End Panels



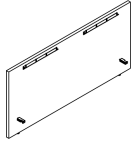
Single Sided Big Table with End Panels

# End Panels

## For Dual Big Tables

### Painted, Laminate or Veneer

description	type	w	d	h	pattern no.	Painted (P)	Laminate (L)	V1 (V)	V2 (V)	V3 (V)
End Panels for Dual Sided Big Tables, Full Height	For 18"D Dual Sided Big Tables	41 1/2"	1 1/8"	28 1/2"	<b>YEP2841</b>	\$410.	\$413.	\$793.	\$909.	\$1,182.
	For 24"D Dual Sided Big Tables	53 1/2"	1 1/8"	28 1/2"	<b>YEP2853</b>	464.	472.	930.	1,068.	1,388.
	For 27"D Dual Sided Big Tables	59 1/2"	1 1/8"	28 1/2"	<b>YEP2859</b>	482.	506.	964.	1,108.	1,440.
	For 30"D Dual Sided Big Tables	65 1/2"	1 1/8"	28 1/2"	<b>YEP2865</b>	499.	519.	1,012.	1,162.	1,509.
	For 36"D Dual Sided Big Tables	77 1/2"	1 1/8"	28 1/2"	<b>YEP2877</b>	538.	649.	1,035.	1,192.	1,608.

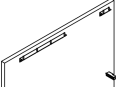


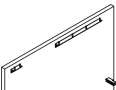
Ordering Information	Order Code	Included With	Options
<b>End Panels For Big Tables</b>	<b>End Panels For Big Tables</b>	<b>End Panels For Big Tables</b>	<b>End Panels For Big Tables</b>
1. Pattern Number	<i>Example:</i> <b>YEP2853P, 118T, 118T</b>	Attachment brackets Hardware	<b>Finish Options:</b> (P) = Painted (L) = Laminate (V) = Veneer
2. Surface Finish	<b>YEP</b> End Panel		
3. Bracket Finish	<b>28</b> Height		
	<b>53</b> Width		
	<b>118T</b> Bright White Paint		
	<b>118T</b> Bright White Paint		

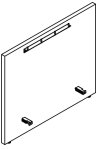
# End Panels

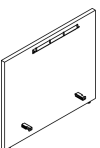
## For Single Sided Big Tables

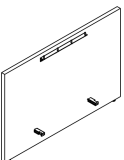
### Painted, Laminate or Veneer

description	type	w	d	h	pattern no.	Painted (P)	Laminate (L)	V1 (V)	V2 (V)	V3 (V)
 End Panels for Single Sided Big Tables, Full Performance, Left Hand	For 18"D Single Sided Big Tables	31"	1 1/8"	28 1/2"	<b>YEPSSF2831L</b>	\$387.	\$390.	\$763.	\$880.	\$1,145.
	For 24"D Single Sided Big Tables	37"	1 1/8"	28 1/2"	<b>YEPSSF2837L</b>	405.	412.	801.	921.	1,198.
	For 27"D Single Sided Big Tables	40"	1 1/8"	28 1/2"	<b>YEPSSF2840L</b>	412.	418.	818.	942.	1,222.
	For 30"D Single Sided Big Tables	43"	1 1/8"	28 1/2"	<b>YEPSSF2843L</b>	421.	423.	837.	963.	1,251.
	For 36"D Single Sided Big Tables	49"	1 1/8"	28 1/2"	<b>YEPSSF2849L</b>	439.	454.	884.	1,017.	1,321.

 End Panels for Single Sided Big Tables, Full Performance, Right Hand	For 18"D Single Sided Big Tables	31"	1 1/8"	28 1/2"	<b>YEPSSF2831R</b>	387.	390.	763.	880.	1,145.
	For 24"D Single Sided Big Tables	37"	1 1/8"	28 1/2"	<b>YEPSSF2837R</b>	405.	412.	801.	921.	1,198.
	For 27"D Single Sided Big Tables	40"	1 1/8"	28 1/2"	<b>YEPSSF2840R</b>	412.	418.	818.	942.	1,222.
	For 30"D Single Sided Big Tables	43"	1 1/8"	28 1/2"	<b>YEPSSF2843R</b>	421.	423.	837.	963.	1,251.
	For 36"D Single Sided Big Tables	49"	1 1/8"	28 1/2"	<b>YEPSSF2849R</b>	439.	454.	884.	1,017.	1,321.

 End Panels for Single Sided Big Tables, Basic, Left Hand	For 18"D Single Sided Big Tables	24 1/4"	1 1/8"	28 1/2"	<b>YEP2SSB2825L</b>	473.	464.	852.	921.	1,247.
	For 24"D Single Sided Big Tables	30 1/4"	1 1/8"	28 1/2"	<b>YEP2SSB2831L</b>	399.	383.	851.	930.	1,317.
	For 27"D Single Sided Big Tables	33 1/4"	1 1/8"	28 1/2"	<b>YEP2SSB2834L</b>	408.	389.	866.	949.	1,370.
	For 30"D Single Sided Big Tables	36 1/4"	1 1/8"	28 1/2"	<b>YEP2SSB2837L</b>	418.	404.	883.	969.	1,422.

 End Panels for Single Sided Big Tables, Basic, Right Hand	For 18"D Single Sided Big Tables	24 1/4"	1 1/8"	28 1/2"	<b>YEP2SSB2825R</b>	473.	464.	852.	921.	1,247.
	For 24"D Single Sided Big Tables	30 1/4"	1 1/8"	28 1/2"	<b>YEP2SSB2831R</b>	399.	383.	851.	930.	1,317.
	For 27"D Single Sided Big Tables	33 1/4"	1 1/8"	28 1/2"	<b>YEP2SSB2834R</b>	408.	389.	866.	949.	1,370.
	For 30"D Single Sided Big Tables	36 1/4"	1 1/8"	28 1/2"	<b>YEP2SSB2837R</b>	418.	404.	883.	969.	1,422.

 End Panels for Single Sided Big Tables, Basic, Non-handed	For 36"D Single Sided Big Tables	42 1/4"	1 1/8"	28 1/2"	<b>YEP2SSB2843</b>	439.	441.	912.	1,010.	1,528.
--	----------------------------------	---------	--------	---------	--------------------	------	------	------	--------	--------

#### Ordering Information

##### End Panels For Big Tables

1. Pattern Number
2. Surface Finish
3. Bracket Finish

#### Order Code

##### End Panels For Big Tables

*Example:* **YEP2853P, 118T, 118T**

<b>YEP</b>	End Panel
<b>28</b>	Height
<b>53</b>	Width
<b>118T</b>	Bright White Paint
<b>118T</b>	Bright White Paint

#### Included With

##### End Panels For Big Tables

Attachment brackets  
Hardware

#### Options

##### End Panels For Big Tables

#### Finish Options:

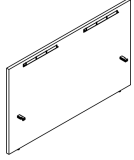
(P) = Painted  
(L) = Laminate  
(V) = Veneer

# End Panels

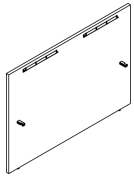
## For Standing Height Dual Big Tables

### Laminate or Veneer

description	type	w	d	h	pattern no.	Painted (P)	Laminate (L)	V1 (V)	V2 (V)	V3 (V)
End Panels for Standing Height Dual Sided Big Tables 36"H	For 18"D Dual Sided Big Tables	41 1/2"	1 1/8"	36 1/2"	<b>YEPH3641</b>	\$514.	\$552.	\$1,029.	\$1,146.	\$1,763.
	For 24"D Dual Sided Big Tables	53 1/2"	1 1/8"	36 1/2"	<b>YEPH3653</b>	569.	594.	1,109.	1,250.	2,026.
	For 27"D Dual Sided Big Tables	59 1/2"	1 1/8"	36 1/2"	<b>YEPH3659</b>	593.	764.	1,206.	1,359.	2,214.
	For 30"D Dual Sided Big Tables	65 1/2"	1 1/8"	36 1/2"	<b>YEPH3665</b>	621.	783.	1,244.	1,411.	2,344.



End Panels for Standing Height Dual Sided Big Tables 42"H	For 24"D Dual Sided Big Tables	53 1/2"	1 1/8"	42"	<b>YEPT4253</b>	606.	701.	1,218.	1,378.	2,259.
	For 27"D Dual Sided Big Tables	59 1/2"	1 1/8"	42"	<b>YEPT4259</b>	634.	792.	1,263.	1,434.	2,409.
	For 30"D Dual Sided Big Tables	65 1/2"	1 1/8"	42"	<b>YEPT4265</b>	667.	808.	1,320.	1,507.	2,569.



Desk and Table Support

#### Ordering Information

##### End Panels For Big Tables

1. Pattern Number
2. Surface Finish
3. Bracket Finish

#### Order Code

##### End Panels For Big Tables

*Example:* **YEP2853P, 118T, 118T**

**YEP** End Panel

**28** Height

**53** Width

**118T** Bright White Paint

**118T** Bright White Paint

#### Included With

##### End Panels For Big Tables

Attachment brackets  
Hardware

#### Options

##### End Panels For Big Tables

##### Finish Options:

(P) = Painted  
(L) = Laminate  
(V) = Veneer

# Enclave End Panels

## For Dual Sided Big Tables

### Planning Guidelines and Specifications

Enclave end panels enclose the end of dual sided big tables from the floor to a 42" or 49" horizon to align with center screens, or 56"h, tall enough to enclose the back of a large TV.

**End panels do not take the place of end legs or provide table support.**

Video displays cannot be mounted directly to Antenna Screens, Interpole Screens or Media Enclave End Panels.

Center beam end cap is not required.

End panels are full depth to match dual sided big tables with 18", 24", 27", 30" or 36" deep tops on either side of a center beam.

End panels include two leveling glides and brackets for attachment to the adjacent tops and fixed height big table end leg.

End panels require a standard big table end leg positioned 1 1/2" from end of desk top for support.

Enclave end panels can be planned in combination with standard Antenna or Overlay tops.

End panel brackets do not deface the legs and may be added or removed without disassembling the desk.

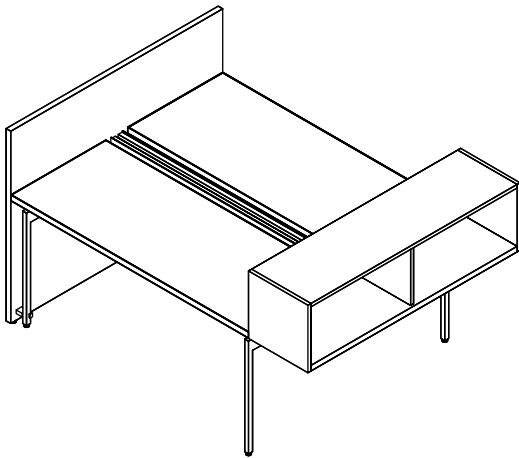
**Construction**

End panels are 1 1/8" thick laminate or veneer and include steel brackets to the tops and cast aluminum brackets to the leg.

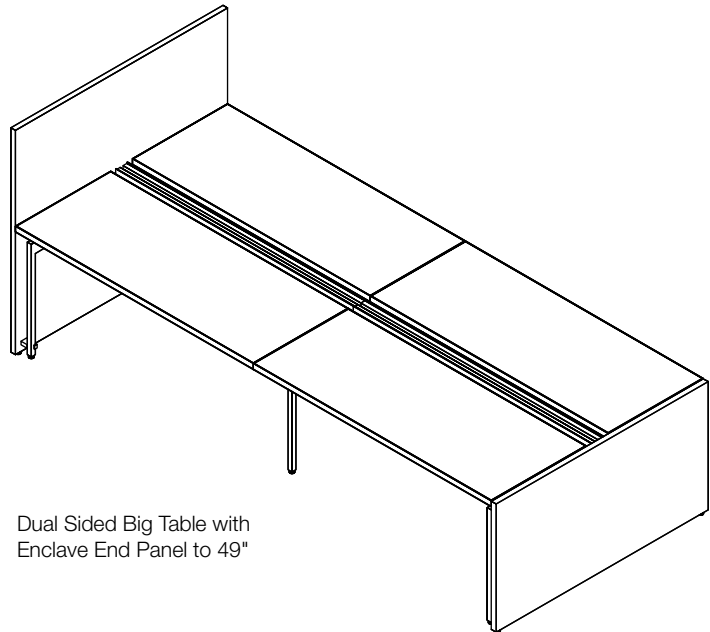
Veneer end panels 48" and taller are in two pieces with centered vertical seam and additional steel stiffener bracket.

**Specification Options**

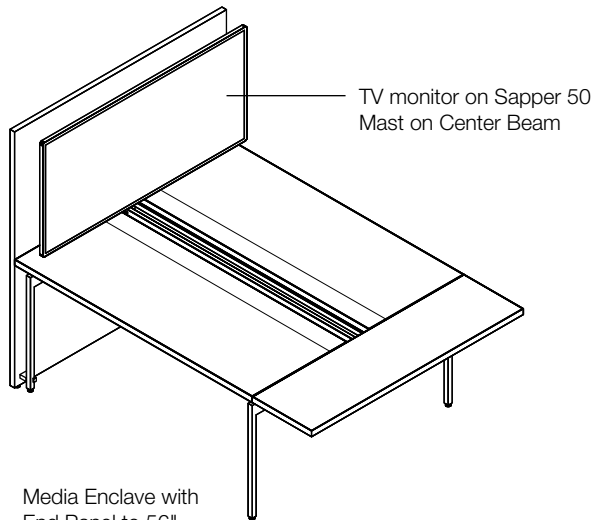
Specify end panels in any Knoll Core solid laminate, patterned and woodgrain laminate up to 60"W, or veneer. Specify brackets in any Knoll Core paint finish.



Dual Sided Big Table with Enclave End Panel to 42"



Dual Sided Big Table with Enclave End Panel to 49"

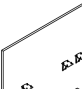


Media Enclave with End Panel to 56"


# Enclave End Panels

## For Dual Sided Big Tables

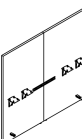
### Laminate or Veneer

description	type	w	d	h	pattern no.	Laminate (L)	(LM)	V1 (V)	V2 (V)	V3 (V)
	For 24" D Dual Sided Big Table	53 1/2"	1 1/8"	42"	<b>YEP4253( )</b>	\$887.	\$887.	\$1,125.	\$1,292.	\$2,196.
	For 27" D Dual Sided Big Table	59 1/2"	1 1/8"	42"	<b>YEP4259( )</b>	1,421.	1,421.	1,588.	1,827.	3,108.
	For 30" D Dual Sided Big Table	65 1/2"	1 1/8"	42"	<b>YEP4265( )</b>	1,444.	1,444.	1,617.	1,860.	3,163.
	For 36" D Dual Sided Big Table	77 1/2"	1 1/8"	42"	<b>YEP4277( )</b>	1,480.	1,480.	1,699.	1,955.	3,322.

(YEP5659(L/V) shown)

	For 24" D Dual Sided Big Table	53 1/2"	1 1/8"	49"	<b>YEP4953( )</b>	916.	1,160.	1,652.	1,901.	3,230.
	For 27" D Dual Sided Big Table	59 1/2"	1 1/8"	49"	<b>YEP4959( )</b>	1,449.	1,449.	1,896.	2,180.	3,706.
	For 30" D Dual Sided Big Table	65 1/2"	1 1/8"	49"	<b>YEP4965( )</b>	1,472.	1,472.	1,960.	2,255.	3,833.
	For 36" D Dual Sided Big Table	77 1/2"	1 1/8"	49"	<b>YEP4977( )</b>	1,520.	1,520.	2,081.	2,394.	4,071.

(YEP5659V shown)

	For 24" D Dual Sided Big Table	53 1/2"	1 1/8"	56"	<b>YEP5653( )</b>	946.	1,190.	1,908.	2,191.	3,721.
	For 27" D Dual Sided Big Table	59 1/2"	1 1/8"	56"	<b>YEP5659( )</b>	1,485.	1,485.	1,995.	2,295.	3,903.
	For 30" D Dual Sided Big Table	65 1/2"	1 1/8"	56"	<b>YEP5665( )</b>	1,507.	1,507.	2,057.	2,366.	4,023.

(YEP5659V shown)

Desk and Table Support

#### Ordering Information

##### Enclave End Panels For Big Tables

1. Pattern Number
2. Surface Finish
3. Bracket Finish

#### Order Code

##### Enclave End Panels For Big Tables

*Example:* **YEP5653L, M, 118T**

**YEP** Enclave End Panel

**56** Height

**53** Width

**L** Laminate

**M** Markerboard

**118T** Bright White Paint

#### Included With

##### Enclave End Panels For Big Tables

Attachment brackets  
Hardware

#### Options

##### Enclave End Panels For Big Tables

#### Finish Options:

(L) = Laminate  
(V) = Veneer



**Installation Gauge**

The installation gauge is a tool used to help create accurate, consistent Antenna Workspaces installations. The tool can be used in four different ways while installing Antenna Workspaces desks or big tables. (See drawings below)

**Application #1**

The most common application for the installation gauge is for use when positioning the top over the rails. The V cutout in the installation gauge sits snug to the side of the rail, while the edge of the top tab aligns with the front edge of the desk top. The designed distance from the front edge of the top to the centerline of the rail is 6 5/8".

This side of the installation gauge can also be used to position the rails over pedestals and when connecting to Fence.

**Application #2**

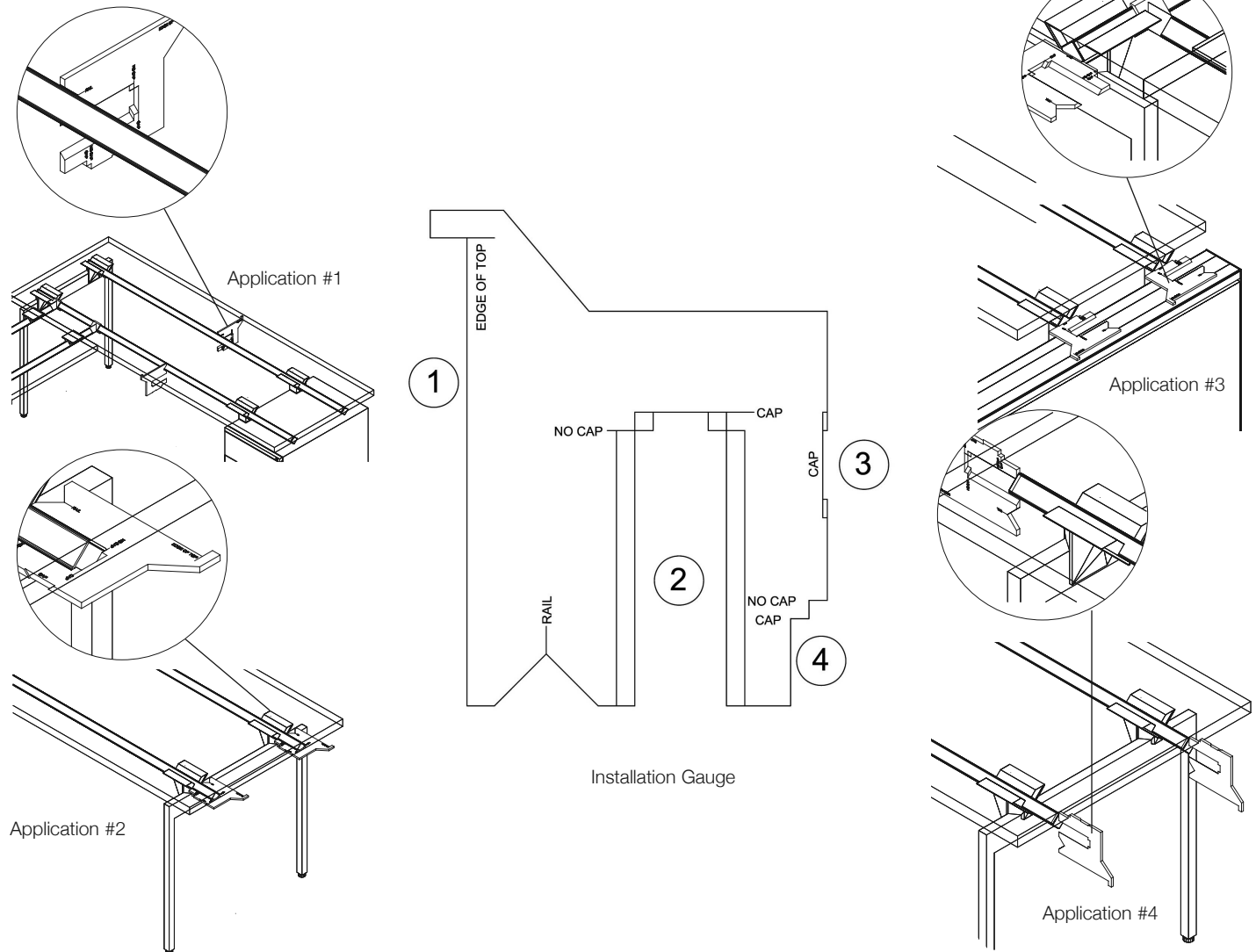
The installation gauge can also be used to position the desk end leg assemblies in the correction location in relation to the end of a rail. Desk end legs are designed to be inset 5 1/2" from the end of the desk top. In this application, the recessed part of the gauge sits up against the end of a rail (with or without the end cap) and the end of the gauge sits against the outside edge of the cradle. This can also be used for big table applications when extension tops or cabinets are not specified.

**Application #3**

The rail end cap is designed to sit proud of the cradle by approximately 1/16", so that the end of the rail and leg are 1 1/2" from the end of the top. The installation gauge is used to accurately space the outside of the rail end cap to the outside edge of the cradle. This must be used when the leg is placed 1 1/2" from the edge of the top, such as when a bridge or return is to be used to ensure the correct placement for the bridge or return rails.

**Application #4**

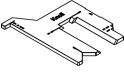

The installation gauge can also be used to correctly position the top over the width of the rails. This will ensure that you have the desired 1 1/2" distance between the end of the rail (with no end cap) and the end edge of the top.



# Sales and Installation Tools

## *Installation Gauge*

Antenna Workspaces

description	type	pattern no.	list
Installation Gauge 	Package of 5	<b>YBIG</b>	\$27.
Desk Screen Drill Fixture 	Package of 5	<b>YPSDF5</b>	44.
Desk Screen Alignment Pin	Package of 10	<b>YPSP10</b>	82.

Desk and Table Support

Ordering Information	Order Code	Included With	Options
<b>Legs for Dual Big Tables</b>	<b>Installation Gauge</b>		
1. Pattern Number	<i>Example:</i> <b>YBIG</b>		
	<b>YB</b> Antenna		
	<b>IG</b> Installation Gauge		

## Electrical Components for Antenna Desks and Big Tables

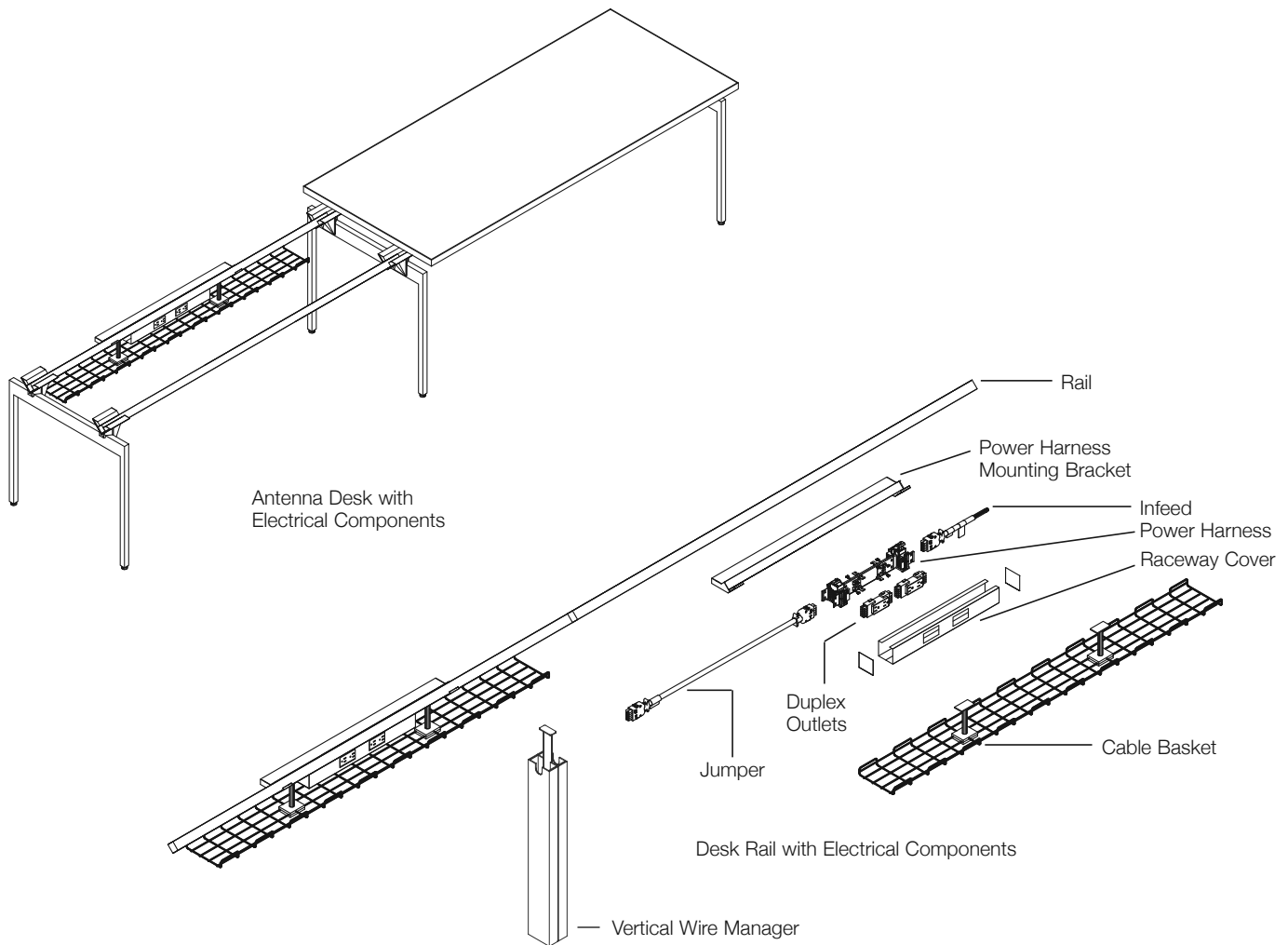
Antenna linked desks and big tables can be powered by a modular distribution system featuring standard Knoll 2+2 and 3+3 eight- and ten-wire power systems. From a single point of connection to the building power supply, Antenna raceway can distribute four or six 20-amp circuits. Depending on national and local electric codes, and the anticipated load of a particular application, each circuit may support as many as 10 or more duplex outlets.

The central component is the power harness, which can be mounted under desk rails or under the center beam of a big table, typically centered on a desk top width.

Under desks the harness is suspended from a power harness mounting bracket attached to either the front or back edge of a desk rail, typically 6" in from the back edge. Specify a power harness mounting bracket to match the width of harness and covers, or 12" wider to also attach cable baskets or data/communications outlet boxes. Under the big table, the harness can be suspended directly from the center beam.

The power harness accepts snap-in duplex outlets on each face, and is enclosed by steel raceway covers, specified separately. Each end of the harness has ports for two jumper cables, or a power infeed and a jumper cable. The power infeed connects power from a building junction box, and jumpers connect power from one harness to another, in either direction.

Power harnesses are available in two sizes: 12" wide, with two duplex outlet locations on each face, and 24" wide, with four outlet locations on each face. Duplex outlets must be specified separately to access one of the four or six circuits. Outlets for all circuits can be specified in black with white letters identifying circuits. Outlets for circuits X, Y, Z are also available in orange with black letters, or black with orange triangles and letters to designate protected circuits.



Corresponding raceway covers for 12" harness are 18" wide; covers for 24" harness are 30" wide. Raceway covers can be ordered in pairs that include two covers with openings or one cover without openings.

Jumper cables are available in various lengths up to 72" to link power between harnesses. To calculate the jumper width required to join between harnesses centered under the beam between big table tops, take the top width and subtract the harness width. Power harnesses planned next to each other, with immediately adjacent raceway covers, can be connected with the 7" jumper.

This enables big table tops to be served by more than four duplex outlets per position.

The same calculation is true for power harnesses under desks linked end to end: take the average of the two top widths and subtract the average of the harness widths. For desk to return power connections, take the average of the top and return widths, subtract the average of the harness widths, and add the depth of the primary top. Desk power jumper cables should be managed by cable clips for desk rails (YR1CC, set of 10).

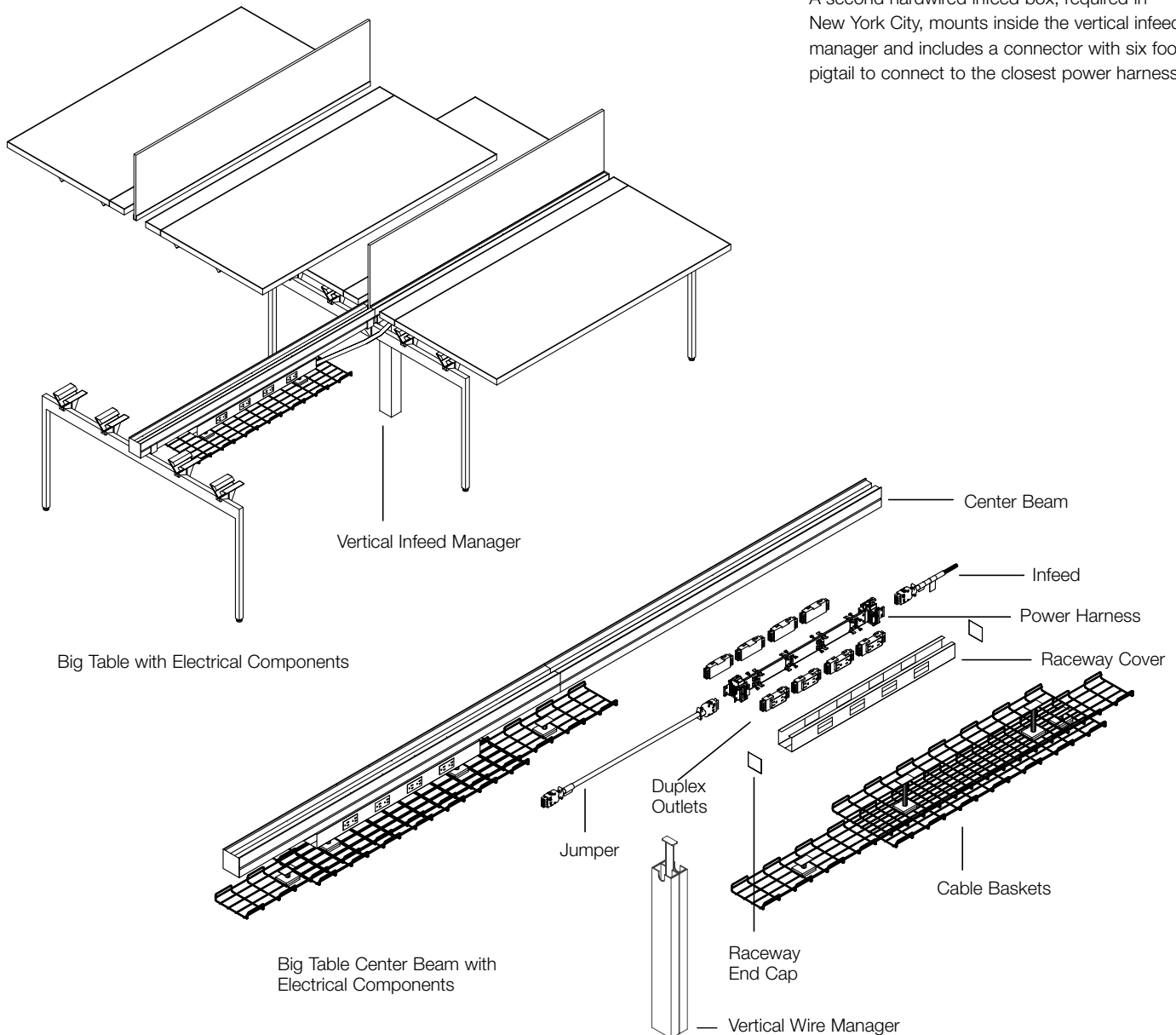
All tops including straight and 120 degree Antenna tops that are 48" wide or narrower only accept the 12" power harness.

To satisfy UL approval desks linked, power jumpers must be secured to each other by mechanical fasteners, such as a shared end leg, return connectors or top-to-top brackets.

Three types of power infeeds are available to connect the raceway from the building power supply. The modular infeed has a modular connector with a six foot pigtail to connect from a junction box in the floor or wall to a power harness.

A hardwired infeed box, required in New York City, mounts to a desk rail or Big Table center beam and includes a connector with six foot pigtail to connect to the closest power harness.

A second hardwired infeed box, required in New York City, mounts inside the vertical infeed manager and includes a connector with six foot pigtail to connect to the closest power harness.



Big Table with Electrical Components

Big Table Center Beam with Electrical Components

# Planning Guidelines for Electrical Components For Desks and Big Tables

Data and communication faceplates are housed in a communication mounting box or plate that is suspended from an extended power harness mounting bracket on either side of the power harness on a desk rail or the center beam of the big table.

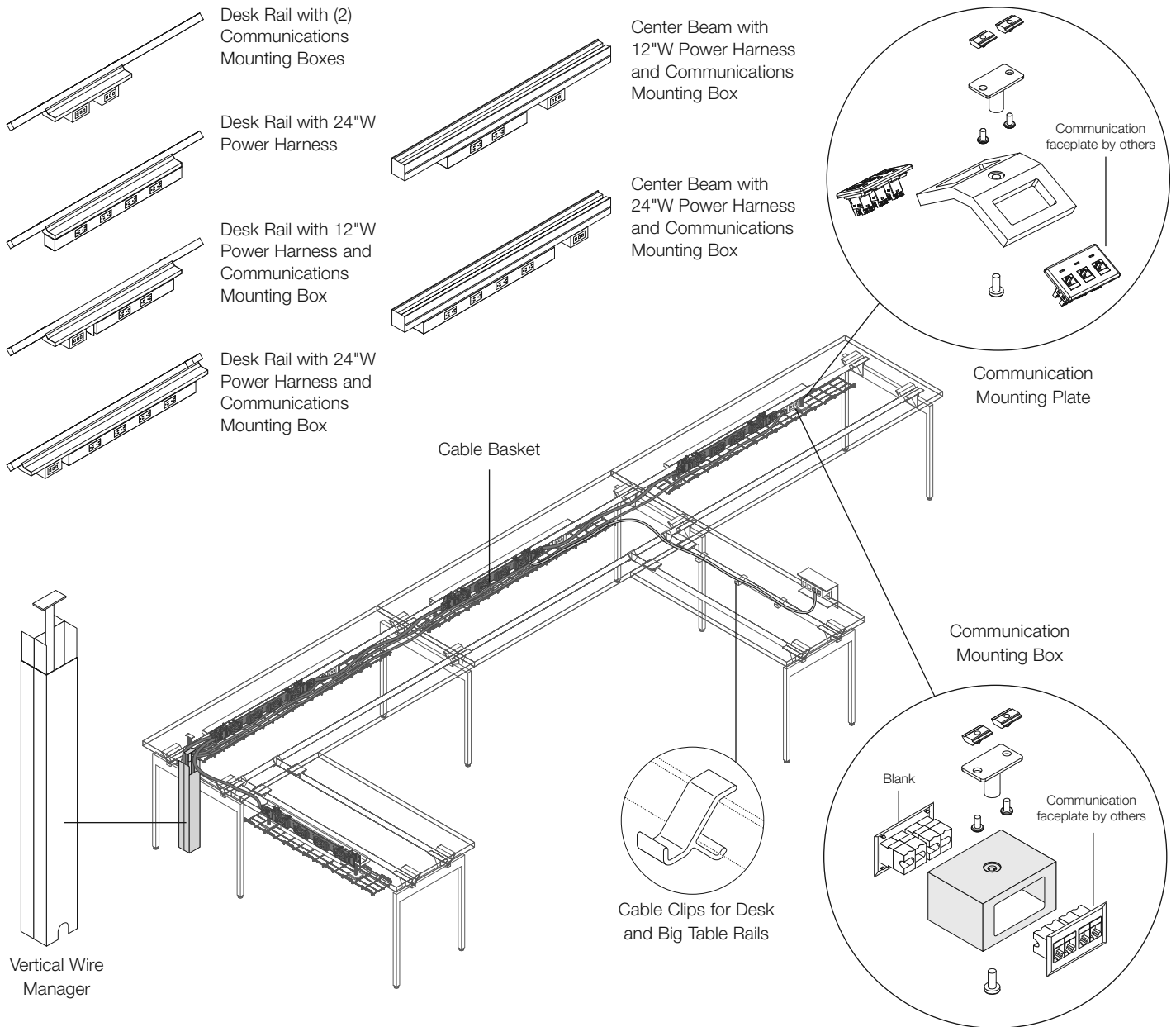
The mounting box has industry standard decora-size opening, 2.66" wide by 1.36" high with 0.094" radii corners, for outlets facing the inside or outside of the desk, and an opening underneath for cable supply.

The mounting plate also has industry standard decora-size openings, 2.66" wide by 1.36" high with 0.094" radii corners, for outlets facing vertical for easy access, and open underside for cable supply.

The PDC module extension kit is a set of ten collars that snap securely into an outlet opening in an Antenna communications mounting box or Fence outlets cover to project a new outlet mounting position 1/2" away from the face of the box or cover. This added depth can be crucial if communications connectors are unusually deep and are arrayed back to back in the mounting

box or Fence. Interior space between back to back communications faceplates is 3" in mounting box, or 3 7/8" in Fence applications. Extension Kit accepts most standard, decora-size communications faceplates. PDC module extension kit is injection molded black plastic.

Outlet fillers are a kit of ten plastic filler plates that flex to snap securely into any unused outlet opening in Antenna raceway covers, communications mounting box, or Fence outlets cover. Installed covers are designed to closely mimic the appearance of adjacent power outlets. Fillers are black injection molded plastic.



## 2+2

Four 20-amp circuits, 8 wire configuration with four hots (12 gauge), two neutrals (10 gauge, 35A rated), two grounds.

Power harness and outlet modules: steel enclosure between molded polypropylene distribution blocks, 8-wire.

**Jumper cables:** flexible steel conduit with strain relief, 8-wire

**Outlets:** molded polycarbonate duplex preconfigured as circuit A, B (black), X, Y (black, orange or black with orange triangle)

**Infeed:** watertight conduit with 6' whip or hardwire box mounted to desk rail, center beam or fence frame, 8-wire

Load should be balanced evenly among power circuits. In accordance with NEC2011 Article 210, the permissible load should not exceed 80% of the circuit ampere rating (which is 16 amps on each 20 amp branch circuit).

## 3+3

Six 20-amp circuits, 10 wire configuration with six hots (12 gauge), two neutrals (10 gauge, 35A rated), two grounds.

Power harness and outlet modules: steel enclosure between molded polypropylene distribution blocks, 10-wire.

**Jumper cables:** flexible steel conduit with strain relief, 10-wire

**Outlets:** molded polycarbonate duplex preconfigured as circuit A, B, C (black), X, Y, Z (black, orange or black with orange triangle)

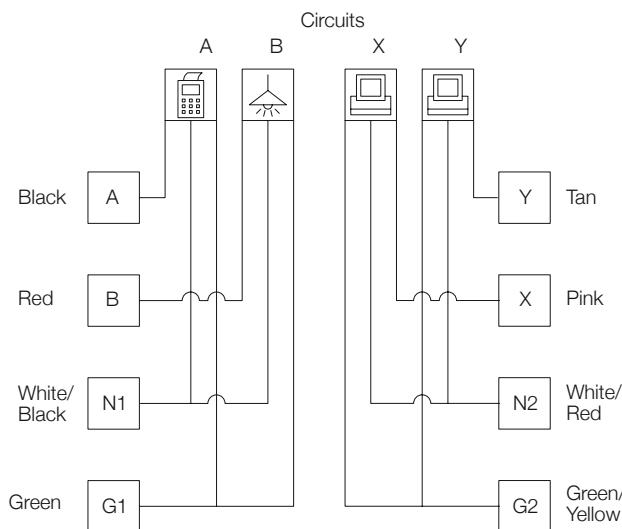
**Infeed:** watertight conduit with 6' whip or hardwire box mounted to desk rail, center beam or fence frame, 10-wire

Load should be balanced evenly among power circuits. In accordance with NEC2011 Article 210, the permissible load should not exceed 80% of the circuit ampere rating (which is 16 amps on each 20 amp branch circuit).

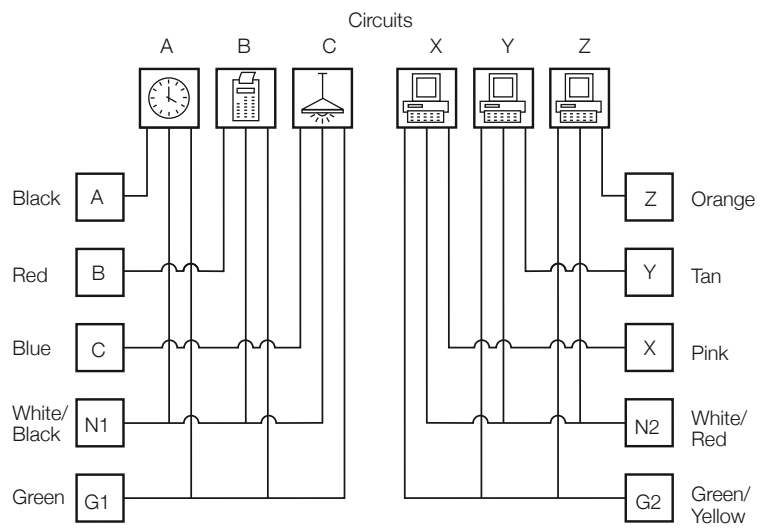
Antenna Workspaces is a listed product with U.L. in the QAWZ office furnishings category.

- File E76704 Volume 13, Section 1 (Furniture)
- File E76704 Volume 5, Section 5 (Electrical Accessories)

**Wiring Diagram (2+2)**

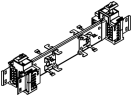
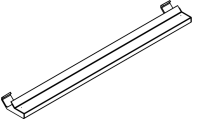
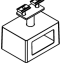

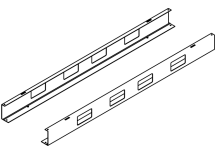


**Wiring Diagram (3+3)**



# Electrical Components for Desks and Big Tables

## 2+2, 3+3 and 4-4-2 Electrical Systems

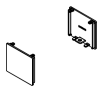
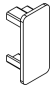
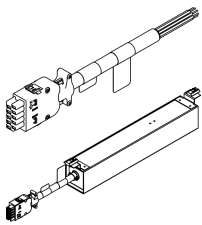
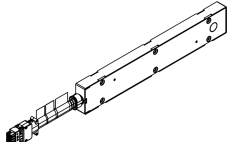
description	type	width	depth	height	pattern no.	list
	2+2, (2) Duplex Outlets per Side	12"	2"	2"	<b>YRPHE12</b>	\$196.
	3+3, (2) Duplex Outlets per Side	12"	2"	2"	<b>YRPHT12</b>	222.
	4-4-2, (2) Duplex Outlets per Side	12"	2"	2"	<b>YRPHX12</b>	233.
	2+2, (4) Duplex Outlets per Side	24"	2"	2"	<b>YRPHE24</b>	356.
	3+3, (4) Duplex Outlets per Side	24"	2"	2"	<b>YRPHT24</b>	427.
	4-4-2, (4) Duplex Outlets per Side	24"	2"	2"	<b>YRPHX24</b>	448.
	For desk mounted 12" wide power harness	18"	3"	3/4"	<b>YRPHA18</b>	75.
	For desk mounted 24" wide power harness	30"	3"	3/4"	<b>YRPHA30</b>	99.
	For desk mounted 12" wide power harness and communications mounting box	30"	3"	3/4"	<b>YRPHA30</b>	99.
	For desk mounted 24" wide power harness and communications mounting box	42"	3"	3/4"	<b>YRPHA42</b>	125.
Communications Mounting Box	Below Desk or Big Table				<b>YR1CMB</b>	44.
						
Communications Mounting Plate	Below Desk or Big Table				<b>YR1CMP</b>	44.
						
PDC Module Extension Kit	Package of 10				<b>YR1PDCX</b>	161.
 <p>(shown 30")</p>	For 12" wide power harness, outlets both sides	18"	3"	3"	<b>YR1C18D</b>	107.
	For 12" wide power harness, outlets one side	18"	3"	3"	<b>YR1C18S</b>	107.
	For 24" wide power harness, outlets both sides	30"	3"	3"	<b>YR1C30D</b>	125.
	For 24" wide power harness, outlets one side	30"	3"	3"	<b>YR1C30S</b>	125.

Ordering Information	Order Code	Included With	Options
<b>Electrical Components</b> 1. Pattern Number	<b>Electrical Components</b> <i>Example:</i> <b>YRPHT12</b>	<b>Power Harness</b> Center Beam Attachment  <b>Mounting Brackets</b> Attachment Hardware  <b>Communication Mounting Box</b> Attachment Hardware	<b>Electrical Components</b>
<b>Mounting Brackets</b> 1. Pattern Number 2. Paint Finish	<b>YRPHT</b> Power Harness <b>12</b> Width		
<b>Raceway Covers/End Caps</b> 1. Pattern Number 2. Paint Finish	<b>Raceway Covers</b> <i>Example:</i> <b>YRC18D, 118T</b> <b>YRC</b> Raceway Covers <b>18</b> Width		
<b>Communication Mounting Box</b> 1. Pattern Number 2. Paint Finish	<b>D</b> Outlets Both Sides <b>118T</b> Bright White Paint		

# Electrical Components for Desks and Big Tables

## 2+2, 3+3 and 4-4-2 Electrical Systems

Antenna Workspaces

description	type	width	depth	height	pattern no.	list
Raceway End Cap	Package of 2	3/8"	3"	3"	<b>YRCE</b>	\$18.
						
Covers for Exposed End of Power Harness	Package of 10	1"	1"	2"	<b>YR1CP</b>	200.
						
Infeeds	2+2 Modular Base Infeed	85"	2 1/8"	2 3/8"	<b>YR1EDPI</b>	216.
	3+3 Modular Base Infeed	85"	2 1/8"	2 3/8"	<b>YR1TDPI</b>	251.
	4-4-2 Modular Base Infeed	85"	2 1/8"	2 3/8"	<b>YR1XDPI</b>	262.
	2+2 Hardwire Infeed for New York City	85"	2 1/8"	2 3/8"	<b>YR1EPNY</b>	476.
	3+3 Hardwire Infeed for New York City	85"	2 1/8"	2 3/8"	<b>YR1TPNY</b>	501.
	4-4-2 Hardwire Infeed for New York City	85"	2 1/8"	2 3/8"	<b>YR1XPNY</b>	527.
						
Vertical Infeeds	2+2 Hardwire Infeed for New York City Vertical Wire Manager	85"	1 1/8"	2 3/4"	<b>YR1EVWMNY</b>	672.
	3+3 Hardwire Infeed for New York City Vertical Wire Manager	85"	1 1/8"	2 3/4"	<b>YR1TVWMNY</b>	705.
	4-4-2 Hardwire Infeed for New York City Vertical Wire Manager	85"	1 1/8"	2 3/4"	<b>YR1XVWMNY</b>	742.
						

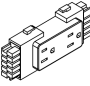
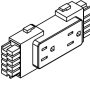
Power and Communications

Ordering Information	Order Code	Included With	Options
<b>Electrical Components</b>	<b>Electrical Components</b>	<b>Power Harness</b>	<b>Electrical Components</b>
1. Pattern Number	<i>Example:</i> <b>YRPHT12</b>	Center Beam Attachment	
<b>Mounting Brackets</b>	<b>YRPHT</b> Power Harness	<b>Mounting Brackets</b>	
1. Pattern Number	<b>12</b> Width	Attachment Hardware	
2. Paint Finish	<b>Raceway Covers</b>	<b>Communication Mounting Box</b>	
<b>Raceway Covers/End Caps</b>	<i>Example:</i> <b>YRC18D, 118T</b>	Attachment Hardware	
1. Pattern Number	<b>YRC</b> Raceway Covers		
2. Paint Finish	<b>18</b> Width		
<b>Communication Mounting Box</b>	<b>D</b> Outlets Both Sides		
1. Pattern Number	<b>118T</b> Bright White Paint		
2. Paint Finish			



# Electrical Components for Desks and Big Tables

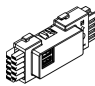
## 2+2, 3+3 and 4-4-2 Electrical Systems

description	type	width	depth	height	pattern no.	list
 Duplex Receptacles	Circuit A, black	1 1/2"	1"	4 1/2"	<b>YR1DA</b>	\$45.
	Circuit A, black with controlled symbol	1 1/2"	1"	4 1/2"	<b>YR1DAC</b>	45.
	Circuit B, black	1 1/2"	1"	4 1/2"	<b>YR1DB</b>	45.
	Circuit B, black with controlled symbol	1 1/2"	1"	4 1/2"	<b>YR1DBC</b>	45.
	Circuit C, black	1 1/2"	1"	4 1/2"	<b>YR1DC</b>	45.
	Circuit C, black with controlled symbol	1 1/2"	1"	4 1/2"	<b>YR1DCC</b>	45.
	Circuit X, black	1 1/2"	1"	4 1/2"	<b>YR1DX</b>	45.
	Circuit X, black with controlled symbol	1 1/2"	1"	4 1/2"	<b>YR1DXC</b>	45.
	Circuit X, orange with black triangle	1 1/2"	1"	4 1/2"	<b>YR1DXO</b>	45.
	Circuit X, black with orange triangle	1 1/2"	1"	4 1/2"	<b>YR1DXT</b>	45.
	Circuit Y, black	1 1/2"	1"	4 1/2"	<b>YR1DY</b>	45.
	Circuit Y, black with controlled symbol	1 1/2"	1"	4 1/2"	<b>YR1DYC</b>	45.
	Circuit Y, orange with black triangle	1 1/2"	1"	4 1/2"	<b>YR1DYO</b>	45.
	Circuit Y, black with orange triangle	1 1/2"	1"	4 1/2"	<b>YR1DYT</b>	45.
	Circuit Z, black	1 1/2"	1"	4 1/2"	<b>YR1DZ</b>	45.
	Circuit Z, black with controlled symbol	1 1/2"	1"	4 1/2"	<b>YR1DZC</b>	45.
	Circuit Z, orange with black triangle	1 1/2"	1"	4 1/2"	<b>YR1DZO</b>	45.
Circuit Z, black with orange triangle	1 1/2"	1"	4 1/2"	<b>YR1DZT</b>	45.	
 Duplex Receptacles for 4-4-2	Circuit 1, black	1 1/2"	1"	4 1/2"	<b>YR1D1</b>	47.
	Circuit 1, black with controlled symbol	1 1/2"	1"	4 1/2"	<b>YR1D1C</b>	47.
	Circuit 2, black	1 1/2"	1"	4 1/2"	<b>YR1D2</b>	47.
	Circuit 2, black with controlled symbol	1 1/2"	1"	4 1/2"	<b>YR1D2C</b>	47.
	Circuit 3, black	1 1/2"	1"	4 1/2"	<b>YR1D3</b>	47.
	Circuit 3, black with controlled symbol	1 1/2"	1"	4 1/2"	<b>YR1D3C</b>	47.
	Circuit 3, orange with black triangle	1 1/2"	1"	4 1/2"	<b>YR1D3O</b>	47.
	Circuit 4, black	1 1/2"	1"	4 1/2"	<b>YR1D4</b>	47.
	Circuit 4, black with controlled symbol	1 1/2"	1"	4 1/2"	<b>YR1D4C</b>	47.
	Circuit 4, orange with black triangle	1 1/2"	1"	4 1/2"	<b>YR1D4O</b>	47.

Ordering Information	Order Code	Included With	Options
<b>Electrical Components</b> 1. Pattern Number	<b>Electrical Components</b> <i>Example:</i> <b>YRPHT12</b>	<b>Power Harness</b> Center Beam Attachment	<b>Electrical Components</b>
<b>Mounting Brackets</b> 1. Pattern Number 2. Paint Finish	<b>YRPHT</b> Power Harness <b>12</b> Width	<b>Mounting Brackets</b> Attachment Hardware	
<b>Raceway Covers/End Caps</b> 1. Pattern Number 2. Paint Finish	<b>Raceway Covers</b> <i>Example:</i> <b>YRC18D, 118T</b> <b>YRC</b> Raceway Covers <b>18</b> Width	<b>Communication Mounting Box</b> Attachment Hardware	
<b>Communication Mounting Box</b> 1. Pattern Number 2. Paint Finish	<b>D</b> Outlets Both Sides <b>118T</b> Bright White Paint		

# Electrical Components for Desks and Big Tables

## 2+2, 3+3 and 4-4-2 Electrical Systems

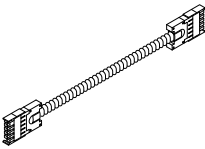
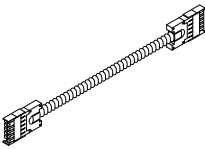
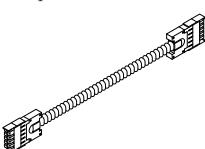
description	type	width	depth	height	pattern no.	list
 USB Duplex	Circuit A, black	1 1/2"	1"	4 1/2"	<b>YR1USBA</b>	\$197.
	Circuit B, black	1 1/2"	1"	4 1/2"	<b>YR1USBB</b>	197.
	Circuit C, black	1 1/2"	1"	4 1/2"	<b>YR1USBC</b>	197.
	Circuit X, black	1 1/2"	1"	4 1/2"	<b>YR1USBX</b>	197.
	Circuit Y, black	1 1/2"	1"	4 1/2"	<b>YR1USBY</b>	197.
	Circuit Z, black	1 1/2"	1"	4 1/2"	<b>YR1USBZ</b>	197.
Outlet Fillers	Package of 10	1 1/4"	1/4"	2 1/2"	<b>YROF</b>	39.



Ordering Information	Order Code	Included With	Options
<b>Electrical Components</b> 1. Pattern Number	<b>Electrical Components</b> <i>Example:</i> <b>YRPHT12</b>	<b>Power Harness</b> Center Beam Attachment	<b>Electrical Components</b>
<b>Mounting Brackets</b> 1. Pattern Number 2. Paint Finish	<b>YRPHT</b> Power Harness <b>12</b> Width	<b>Mounting Brackets</b> Attachment Hardware	
<b>Raceway Covers/End Caps</b> 1. Pattern Number 2. Paint Finish	<b>Raceway Covers</b> <i>Example:</i> <b>YRC18D, 118T</b> <b>YRC</b> Raceway Covers <b>18</b> Width	<b>Communication Mounting Box</b> Attachment Hardware	
<b>Communication Mounting Box</b> 1. Pattern Number 2. Paint Finish	<b>D</b> Outlets Both Sides <b>118T</b> Bright White Paint		

# Electrical Components for Desks and Big Tables

## 2+2, 3+3 and 4-4-2 Electrical Systems

description	type	w	d	h	pattern no.	list
 <p>Jumper Cable, 2+2</p>	For 12" between power harnesses	12"	1"	1"	YR1EJ12	\$114.
	For 18" between power harnesses	18"	1"	1"	YR1EJ18	123.
	For 24" between power harnesses	24"	1"	1"	YR1EJ24	130.
	For 30" between power harnesses	30"	1"	1"	YR1EJ30	139.
	For 36" between power harnesses	36"	1"	1"	YR1EJ36	147.
	For 42" between power harnesses	42"	1"	1"	YR1EJ42	162.
	For 48" between power harnesses	48"	1"	1"	YR1EJ48	170.
	For 54" between power harnesses	54"	1"	1"	YR1EJ54	176.
	For 60" between power harnesses	60"	1"	1"	YR1EJ60	188.
	For 66" between power harnesses	66"	1"	1"	YR1EJ66	196.
	For 72" between power harnesses	72"	1"	1"	YR1EJ72	205.
 <p>Jumper Cable, 3+3</p>	For adjacent power harnesses	07"	1"	1"	YR1TJ7	195.
	For 12" between power harnesses	12"	1"	1"	YR1TJ12	147.
	For 18" between power harnesses	18"	1"	1"	YR1TJ18	160.
	For 24" between power harnesses	24"	1"	1"	YR1TJ24	170.
	For 30" between power harnesses	30"	1"	1"	YR1TJ30	179.
	For 36" between power harnesses	36"	1"	1"	YR1TJ36	192.
	For 42" between power harnesses	42"	1"	1"	YR1TJ42	211.
	For 48" between power harnesses	48"	1"	1"	YR1TJ48	220.
	For 54" between power harnesses	54"	1"	1"	YR1TJ54	227.
	For 60" between power harnesses	60"	1"	1"	YR1TJ60	244.
	For 66" between power harnesses	66"	1"	1"	YR1TJ66	255.
	For 72" between power harnesses	72"	1"	1"	YR1TJ72	265.
 <p>Jumper Cable, 4-4-2</p>	For adjacent power harnesses	07"	1"	1"	YR1XJ7	204.
	For 12" between power harnesses	12"	1"	1"	YR1XJ12	154.
	For 18" between power harnesses	18"	1"	1"	YR1XJ18	168.
	For 24" between power harnesses	24"	1"	1"	YR1XJ24	178.
	For 30" between power harnesses	30"	1"	1"	YR1XJ30	189.
	For 36" between power harnesses	36"	1"	1"	YR1XJ36	203.
	For 42" between power harnesses	42"	1"	1"	YR1XJ42	220.
	For 48" between power harnesses	48"	1"	1"	YR1XJ48	231.
	For 54" between power harnesses	54"	1"	1"	YR1XJ54	241.
	For 60" between power harnesses	60"	1"	1"	YR1XJ60	256.
	For 66" between power harnesses	66"	1"	1"	YR1XJ66	266.
	For 72" between power harnesses	72"	1"	1"	YR1XJ72	279.

Ordering Information	Order Code	Included With	Options
<b>Electrical Components</b> 1. Pattern Number	<b>Electrical Components</b> <i>Example:</i> YRPHT12	<b>Power Harness</b> Center Beam Attachment	<b>Electrical Components</b>
<b>Mounting Brackets</b> 1. Pattern Number 2. Paint Finish	<b>YRPHT</b> Power Harness <b>12</b> Width	<b>Mounting Brackets</b> Attachment Hardware	
<b>Raceway Covers/End Caps</b> 1. Pattern Number 2. Paint Finish	<b>Raceway Covers</b> <i>Example:</i> YRC18D, 118T <b>YRC</b> Raceway Covers <b>18</b> Width	<b>Communication Mounting Box</b> Attachment Hardware	
<b>Communication Mounting Box</b> 1. Pattern Number 2. Paint Finish	<b>D</b> Outlets Both Sides <b>118T</b> Bright White Paint		

# Surface Mounted Plugmold Raceway

## Planning Guidelines and Specifications

Plugmold raceway for Antenna Workspaces is a hardwired raceway solution for linked desk and big table planning applications.

Plugmold houses six simplex outlets on one face and is available in either one circuit (3-wire) or two circuit (4-wire) configurations. Plugmold with one circuit may be appropriate for one or two linked desks; Plugmold with two circuits is appropriate for multiple desks or Big Table applications.

Plugmold is a two part channel, including an extruded aluminum back that screws to a mounting bracket that is suspended from a center beam or power harness mounting

bracket. The snap on face cover has an anodized aluminum finish with cutouts to accommodate eight simplex outlets. The plugmold raceway is 36" wide, 1 1/2" high and 1 1/8" deep. It includes blank ends and ends with fittings to link power to additional raceways or building power supply.

The mounting bracket is 36 1/2" wide U-shape folded steel that attaches to the underside of a big table center beam or power harness mounting bracket to support Plugmold on one or both faces. The hollow inside bracket conceals sheet metal screw fasteners for Plugmold on either side.

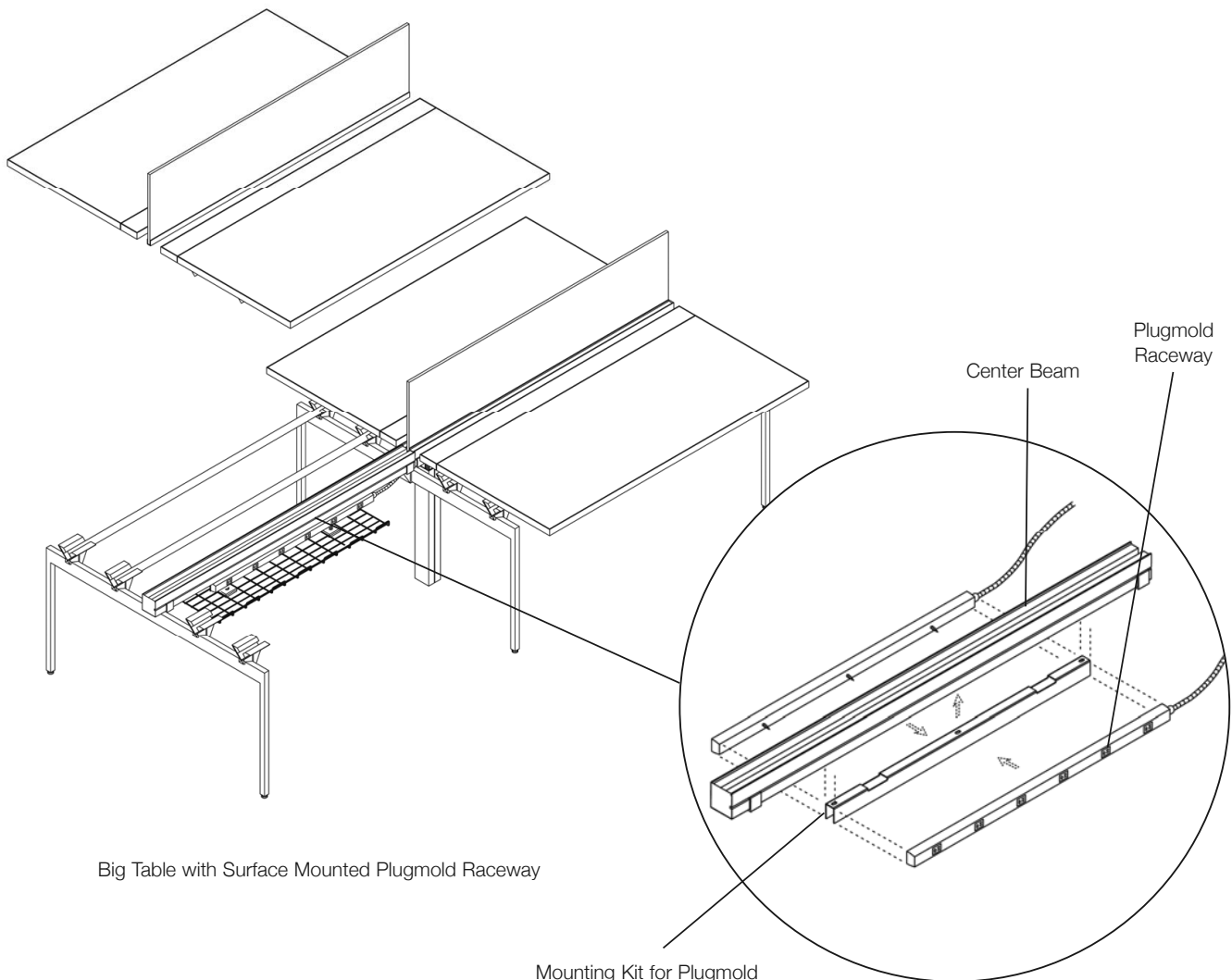
Plugmold raceway is a UL-listed surface mounted Wiremold 2000 raceway and when installed and configured by a licensed electrician it meets the requirements for City of Chicago.

### Construction

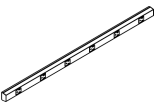
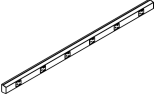
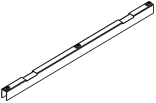
Plugmold raceway is extruded aluminum back plate and cover, steel end covers and extruded aluminum cable exits. Mounting bracket is painted steel.

### Specification Options

Plugmold raceways have a clear anodized aluminum finish. Mounting brackets are painted in any Core paint finish.



# Surface Mounted Plugmold Raceway For Desks and Big Tables

description	type	w	d	h	pattern no.	list
Plugmold, Single Circuit 	3-Wire, Grey Outlets	36"	1 1/8"	1 1/2"	<b>YRPM361</b>	\$760.
Plugmold, Two Circuit 	4-Wire, Grey Outlets	36"	1 1/8"	1 1/2"	<b>YRPM362</b>	896.
Mounting Kit for Plugmold 	For Desks and Big Tables				<b>YRPMK</b>	135.

Ordering Information	Order Code	Included With	Options
<b>Electrical Components</b>	<b>Plugmold</b>	<b>Plug Mold</b>	<b>Electrical Components</b>
1. Pattern Number	<i>Example:</i> <b>YRPM361</b>	<b>Mounting Kit</b>	
	<b>YR</b> Electrical Component	Attachment brackets	
	<b>PM</b> Plug Mold	Hardware	
	<b>38</b> Width		
	<b>1</b> Single Circuit		
	<b>Mounting Kit</b>		
	<i>Example:</i> <b>YRPMK</b>		
	<b>YR</b> Electrical Component		
	<b>PM</b> Plug Mold		
	<b>K</b> Kit		

# Desktop Outlet Center

## Planning Guidelines and Specifications

The Antenna Desktop Power Center combines desktop outlets for power data and communications in any Antenna plan and is the ideal solution for independent desks.

The desk mount bracket conceals cables behind and below the desk and incorporates a shelf for small electronics above.

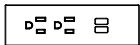
Desktop Power Center is available in three configurations: three simplex outlet positions (two power and one dual USB) or four outlets (two power and two data) or five outlets (three power, one dual USB and one data). The hardwired outlet module comes with outlets and is wired with conduit and pigtail ready to hardwire direction into a junction box. The hardwire desktop outlet center is UL listed and meets the requirements of the City of Chicago if installed by a licensed electrician. The desktop outlet with 108" power cord includes an over current protection plug head that meets the requirements of the City of Chicago for use on height-adjustable tables.

Desktop Power Center is powered by a 6' or 10' cordset that can connect to an Antenna raceway outlet or directly to a building outlet, or may be hardwired to building power junction box.

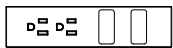
Power centers include adapters for various common communication outlets by others. Rectangular opening in base of power center enables cables to supply outlets from cable tray or cable clips under desktop.

### Specification Options

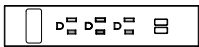
Desktop Power Centers are available in black or white. The power cord matches the color selected. Specify the power shroud in any Knoll core paint finish, or Antenna Dark Red and Slate Blue.



2 Power + 1 Dual USB




2 Power + 2 Data

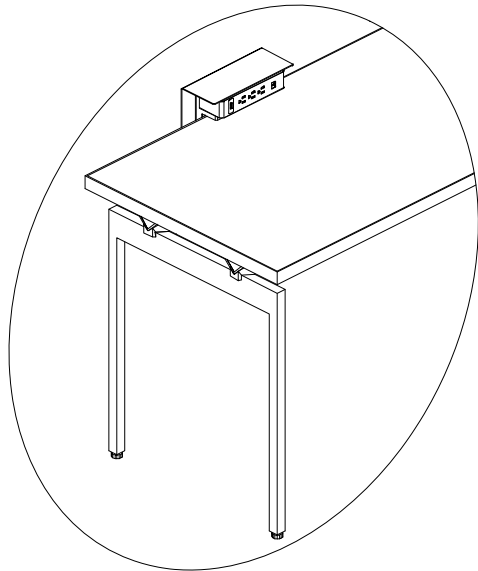


3 Power + 1 Dual USB + 1 Data

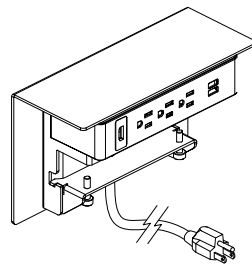
 Power (simplex receptacle)

 Data (blank opening)

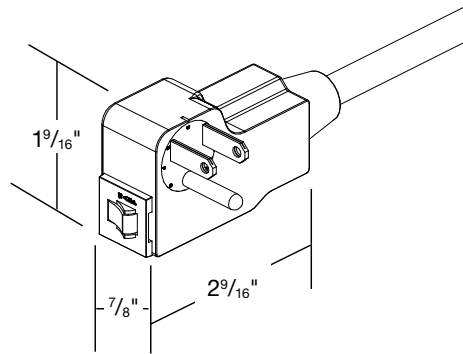
 Dual USB (for charging)



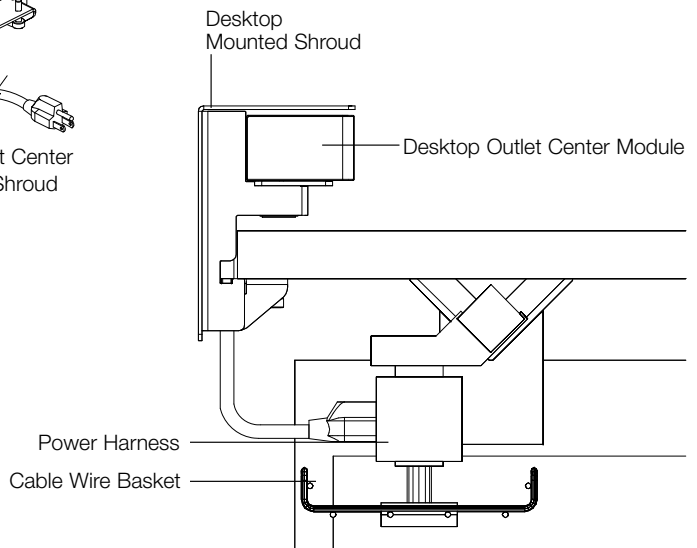
Antenna Desk with Desktop Outlet Center with Power Shroud



Desktop Outlet Center with Power Shroud




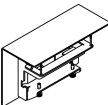
Over Current Protection Plug Head



Desktop Outlet Center with Power Shroud Elevation Detail

# Desktop Outlet Center

## Three, Four or Five Positions

description	type	w	d	h	pattern no.	list
 Desktop Outlet Center	3 Positions (2 Power, 1 Dual USB), Hardwire				<b>YR2DOC32UH(B/W)</b>	\$604.
	3 Positions (2 Power, 1 Dual USB), 108" OCP Cordset				<b>YR2DOC32U108(B/W)</b>	599.
	3 Positions (2 Power, 1 Dual USB), 120" Cordset				<b>YR2DOC32U120(B/W)</b>	558.
	3 Positions (2 Power, 1 Dual USB), 72" Cordset				<b>YR2DOC32U72(B/W)</b>	533.
	4 Positions (2 Power, 2 Data), 108" OCP Cordset				<b>YR2DOC422108(B/W)</b>	421.
	4 Positions (2 Power, 2 Data), 120" Cordset				<b>YR2DOC422120(B/W)</b>	381.
	4 Positions (2 Power, 2 Data), 72" Cordset				<b>YR2DOC42272(B/W)</b>	360.
	4 Positions (2 Power, 2 Data), Hardwire				<b>YR2DOC422H(B/W)</b>	426.
	5 Positions (3 Power, 1 Dual USB and 1 Data), 108" Cordset				<b>YR2DOC53U1108(B/W)</b>	675.
	5 Positions (3 Power, 1 Dual USB and 1 Data), 120" Cordset				<b>YR2DOC53U1120(B/W)</b>	634.
	5 Positions (3 Power, 1 Dual USB and 1 Data), 72" Cordset				<b>YR2DOC53U172(B/W)</b>	619.
	5 Positions (3 Power, 1 Dual USB and 1 Data), Hardwire				<b>YR2DOC53U1H(B/W)</b>	680.
	 Desk Mount Outlet Center Shroud	For 3 Position Desktop Outlet Center	7 1/2"	4"	6 1/8"	<b>YR2DM3</b>
For 4 Position Desktop Outlet Center		8 3/4"	4"	6 1/8"	<b>YR2DM4</b>	254.
For 5 Position Desktop Outlet Center		10"	4"	6 1/8"	<b>YR2DM5</b>	254.

Ordering Information	Order Code	Included With	Options
<b>Desktop Outlet Center</b> 1. Pattern Number	<b>Desktop Outlet Center</b> <i>Example:</i> <b>YR2DOC53U172, B</b> <b>YR1DOC</b> Desktop Outlet Center <b>5</b> Positions <b>3</b> Power <b>U</b> Dual USB <b>1</b> Data <b>72</b> 72" Cordset <b>B</b> Black	<b>Desktop Outlet Center</b> <b>Desk Mount Shroud</b> Attachment Hardware	<b>Desktop Outlet Center</b> <b>B = Black</b> <b>W = White</b> <b>Desk Mount Shroud</b>
<b>Desk Mount Shroud</b> 1. Pattern Number 2. Paint Finish	<b>Desk Mount Shroud</b> <i>Example:</i> <b>YR2DM5, 118T</b> <b>YR1DM</b> Desk Shroud <b>5</b> Positions <b>118T</b> Bright White Paint		

# Cable Management

## Cable Clips and Vertical Wire Manager

### Planning Guidelines and Specifications

#### Cable Clips for Desk and Big Table Rails

Cable management is available for directly under the top of a desk or big table by using a molded plastic clip that snaps onto a rail. This clip provides management for one or two cables to keep them from hanging below the top. Cable clips for rails are useful for managing power cords for electronic devices.

#### Cable Clips for Big Table Center Beam

Cable clips for Big Table center beam snap into underside of the beam to manage power cables or small bundles of communications cables. Cable clips for center beam could be useful for managing a jumper cable "passing through" a big table position without a power harness.

#### Cable Clips for Fence

Cable Clips for Fence snap into the face of studs in the Fence frame to manage small bundles of cables in the unobstructed 1" wide x 6 1/2" high lay-in cabling space

between studs and the inside surface of Fence covers. Four cable clips, each holding up to 14 communications cables, snap into predrilled mounting locations between Fence cover mounting brackets at each of the four cover locations on the frame. As studs are located every 12" along the length of a run of Fence frames, a typical spec might include 40 clips per frame (8 clips per foot) for maximum wire management at the lower 9" level. An integral living hinge detail enables a locking feature to hold cables within the rectangular clips.

#### Vertical Wire Manager

For desks and big tables, cables can be managed from the floor up to the cable basket by a vertical wire manager. The H-shape internal frame is suspended from the desktop or adapter bracket, and provides lay-in channels separating power from data communication cables. U-shape side covers

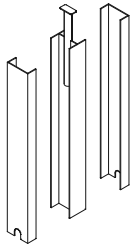
snap onto the frame to manage and conceal cables. Side covers have a "mousehole" shape cutout that can be positioned at the floor level to ease the bend radius of cables entering the bottom of the vertical wire manager.

#### Construction

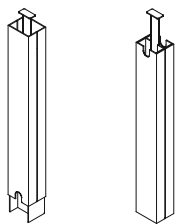
Cable clips are injection molded plastic. Vertical wire manager frames and covers are formed steel.

#### Specification Options

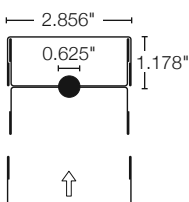
Cable clips for big table center beam and rails are grey. Cable clips for Fence are black. Vertical wire managers may be specified in any Core paint finish.



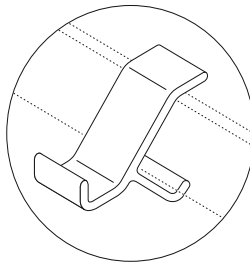
Vertical Wire Manager  
Exploded Detail



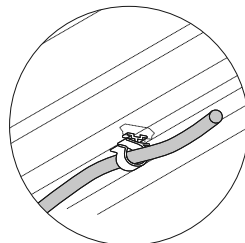
Vertical Wire Manager  
Assembly Options



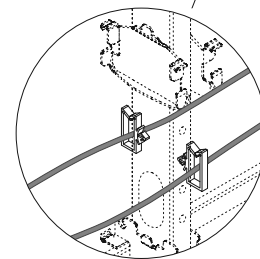
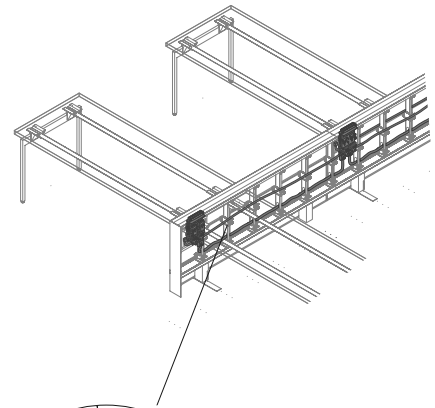
Plan View of Vertical Wire Manager



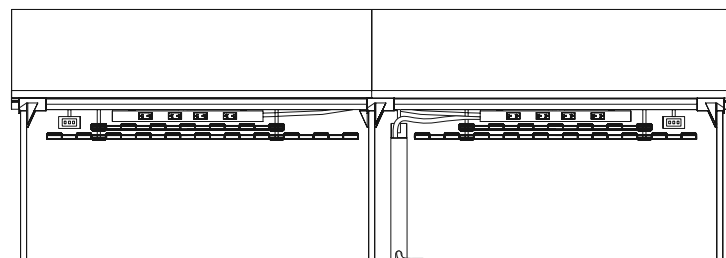
Cable Clips for Desk  
and Big Table Rails



Cable Clip for Big  
Table Center Beam



Cable Clips for Fence Wall Studs



Big Table with Vertical Wire Manager Elevation



# Cable Management

## Cable Baskets

### Planning Guidelines and Specifications

#### Cable Baskets

Cable baskets are available to manage both excess power cords under power harnesses, and for data/communications cable distribution.

For desks, a single upper cable basket that is 69" wide, 6" deep and 1" high can be specified for attachment to the power harness mounting bracket located at the back of a desk top. Specify mounting bracket 12" wider than the power harness, so there is room to attach cable basket hangers to mounting bracket. Baskets can be trimmed in length to fit between desk

legs or between desk legs and storage.

For big tables, upper and lower cable baskets are available. A 12" deep, 1" high upper cable basket manages power cords directly below the power harness. Upper cable baskets are available in a 27" width that corresponds to the 12" wide harness, a 39" width for the 24" wide harness, and 69" wide by either 6" or 12" deep. For standing height big table, a 69" x 6" basket is available with 7" deep mounting brackets to clear leg braces. Lower cable baskets 69" long and either 6" or 12" deep manage data/

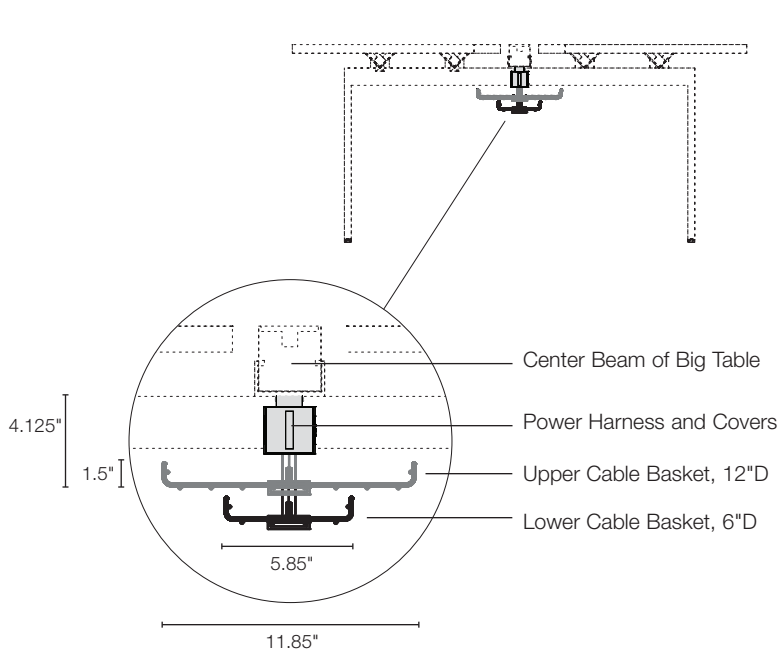
communications distribution for the width of the big table. Cable baskets and mounting hardware can also be specified separately. Cable baskets can be trimmed to the appropriate length onsite.

#### Construction

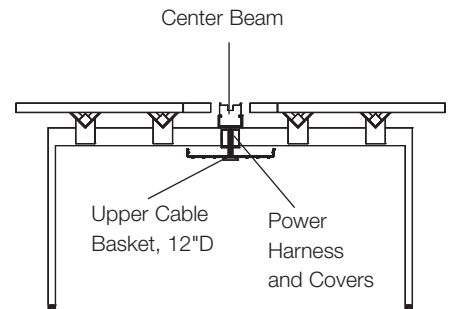
Cable baskets are painted wire.

#### Specification Options

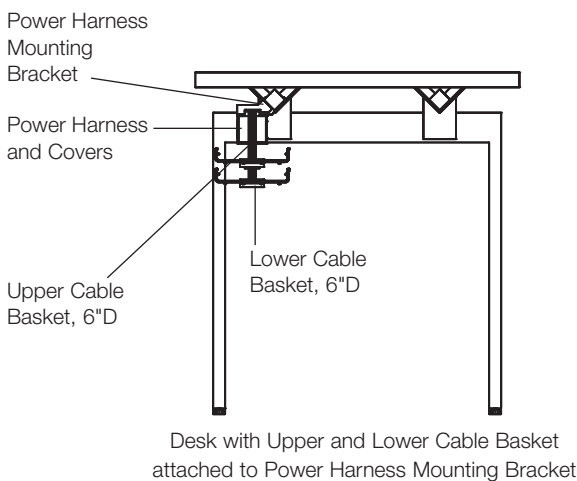
Cable baskets are painted medium grey.



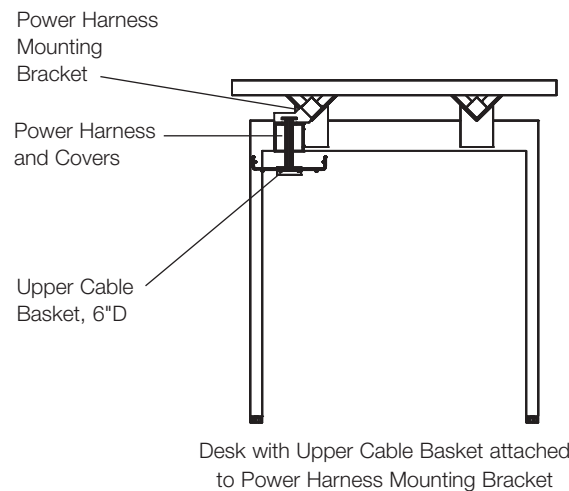
Big Table with Cable Baskets End Elevation Detail



Big Table with Upper Cable Basket Attached to Center Beam



Desk with Upper and Lower Cable Basket attached to Power Harness Mounting Bracket



Desk with Upper Cable Basket attached to Power Harness Mounting Bracket

# Cable Management

## Cable Basket Attachment Kits

### Planning Guidelines and Specifications

#### Lower Cable Basket Mount Kit

Lower cable basket mount kits can be used to attach a cable basket underneath another cable basket. This may be necessary when a cable basket is cut in half or when converting an upper cable basket into a lower cable basket. The mounting kit provides two brackets with hardware that can be used with any depth cable basket.

#### Cable Basket Extension Kit

Cable basket extension kits can be used to increase the space above or between baskets by 1 3/4". The extension kit can be specified in combination with either upper level or lower level cable baskets. Standard upper level basket hangers are 4" high, lower level baskets are suspended 1 3/8".

#### Cable Basket Extra Mount Kit

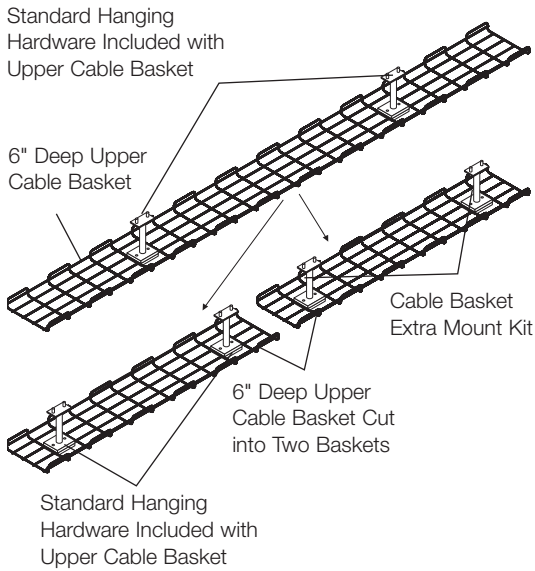
When a single cable basket is cut into two smaller baskets, a cable basket extra mount kit should be specified. This mounting kit provides the additional hardware necessary for both baskets to be attached to either the center beam or the power harness mounting bracket. Extra mount kit is available in 4" length for desk height and 7" length for standing height applications.

#### Construction

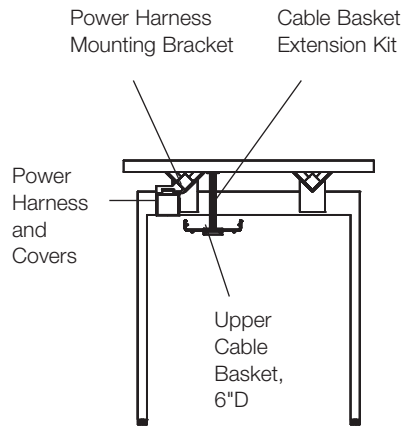
Cable basket attachment kits are painted steel.

#### Specification Options

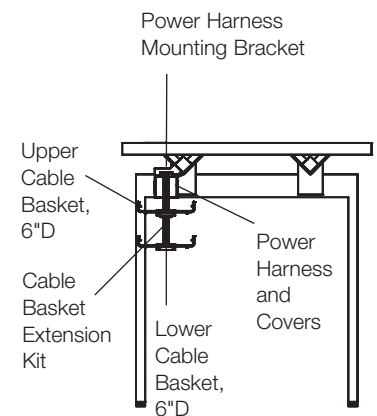
Cable basket attachment kits are painted medium grey.



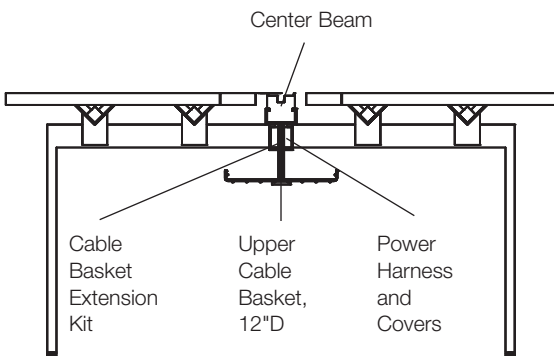
Cable Basket Extra Mount Kit Application



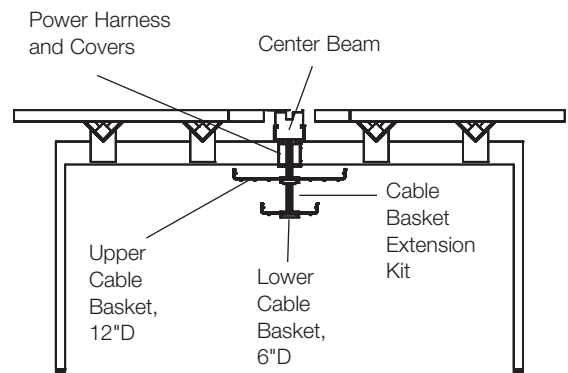
Desk with Upper Cable Basket attached to Top with Cable Basket Extension Kit



Desk with Upper and Lower Cable Baskets attached to Power Harness Mounting Bracket with Cable Basket Extension kit for 3" between baskets



Big Table with Upper Cable Basket attached to Center Beam with Cable Basket Extension Kit







Big Table with Upper and Lower Cable Baskets attached to Center Beam with Cable Basket Extension Kit

# Cable Management

## For Desks and Big Tables

### Cable Clips, Cable Baskets and Vertical Infeed/Wire Manager

description	type	w	d	h	pattern no.	list
Cable Clips for Desk and Big Table Rails 	Package of 10	3/4"	1 1/2"	1"	<b>YR1CC</b>	\$64.
Cable Clips for Big Table Center Beam 	Package of 50				<b>YR1BCC50</b>	296.
Cable Clips for Wall Studs 	Package of 100	1/4"	1/2"	1 1/2"	<b>YR1PCC100</b>	92.
Beam Cable Manager (set of 10) 	Attaches to edge of center beam	1 1/8"	1 1/4"	2 1/2"	<b>YR1BCM10</b>	75.

Ordering Information	Order Code	Included With	Options
<b>Cable Clips</b>	<b>Cable Clips</b>	<b>Cable Clips</b>	<b>Cable Clips</b>
1. Pattern Number	<i>Example:</i> <b>YR1CC</b>	<b>Cable Basket</b>	<b>Cable Basket</b>
<b>Cable Basket</b>	<b>YR1CC</b> Cable Clips	Attachment Hardware	<b>Vertical Infeed/Wire Manager</b>
1. Pattern Number	<b>Vertical Infeed/Wire Manager</b>	<b>Cable Basket Extension Mount Kit</b>	
<b>Vertical Infeed/Wire Manager</b>	<i>Example:</i> <b>YR1VWM, 323</b>	Attachment Hardware	
1. Pattern Number	<b>YR1VWM</b> Vertical Infeed/Wire Manager	<b>Cable Basket Extra Mount Kit</b>	
2. Paint Finish	<b>118T</b> Bright White Paint	Attachment Hardware Plates	
		<b>Vertical Infeed/Wire Manager</b>	
		Attachment Hardware	

# Cable Management

## For Desks and Big Tables

### Cable Clips, Cable Baskets and Vertical Infeed/Wire Manager

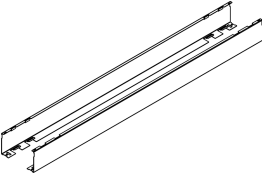
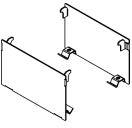

description	type	w	d	h	pattern no.	list
Upper Cable Baskets (12" D Shown)	27" x 12" with 4"H mount	27"	12"	1"	<b>YR1CB2712B</b>	\$143.
	39" x 12" with 4"H mount	39"	12"	1"	<b>YR1CB3912B</b>	170.
	69" x 12" with 4"H mount	69"	12"	1"	<b>YR1CB6912B</b>	257.
	69" x 6" with 4"H mount	69"	6"	1"	<b>YR1CB6906B</b>	175.
Upper Cable Baskets for standing height table	69" x 6" with 7"H mount	69"	6"	1"	<b>YR1CB6906S</b>	225.
Lower Cable Baskets (6" D Shown)	Attaches Below Upper Cable Basket	69"	6"	1"	<b>YR1CB6906H</b>	157.
	Attaches Below Upper Cable Basket	69"	12"	1"	<b>YR1CB6912H</b>	238.
Basket without mount	Specify mounting hardware sepearately	69"	6"	1"	<b>YR1CB6906N</b>	100.
Lower Cable Basket Mount Kit	Used to Attach Lower Cable Basket to Upper Cable Basket			1 3/8"	<b>YR1CBH</b>	57.
Cable Basket Extra Mount Kit	For desk height			4"	<b>YR1CBB4</b>	75.
	For standing height			7"	<b>YR1CBB7</b>	122.
Cable Basket Extension Kit	Used to Extend Hang of Cable Basket			1 3/4"	<b>YR1CBX2</b>	19.

Ordering Information	Order Code	Included With	Options
<b>Cable Clips</b>	<b>Cable Clips</b>	<b>Cable Clips</b>	<b>Cable Clips</b>
1. Pattern Number	<i>Example:</i> <b>YR1CC</b>	<b>Cable Basket</b>	<b>Cable Basket</b>
<b>Cable Basket</b>	<b>YR1CC</b> Cable Clips	Attachment Hardware	<b>Vertical Infeed/Wire Manager</b>
1. Pattern Number	<b>Vertical Infeed/Wire Manager</b>	<b>Cable Basket Extension Mount Kit</b>	
<b>Vertical Infeed/Wire Manager</b>	<i>Example:</i> <b>YR1VWM, 323</b>	Attachment Hardware	
1. Pattern Number	<b>YR1VWM</b> Vertical Infeed/Wire Manager	<b>Cable Basket Extra Mount Kit</b>	
2. Paint Finish	<b>118T</b> Bright White Paint	Attachment Hardware Plates	
		<b>Vertical Infeed/Wire Manager</b>	
		Attachment Hardware	

# Cable Management

## For Desks and Big Tables

### Cable Clips, Cable Baskets and Vertical Infeed/Wire Manager

description	type	w	d	h	pattern no.	list
 Antenna Wire Basket Cover (pair)	Attaches to both Lower and Upper Cable Basket of the same depth	24"	1 1/2"	3 3/4"	<b>YR1CBC24</b>	\$184.
	Attaches to both Lower and Upper Cable Basket of the same depth	36"	1 1/2"	3 3/4"	<b>YR1CBC36</b>	201.
	Attaches to both Lower and Upper Cable Basket of the same depth	42"	1 1/2"	3 3/4"	<b>YR1CBC42</b>	209.
	Attaches to both Lower and Upper Cable Basket of the same depth	48"	1 1/2"	3 3/4"	<b>YR1CBC48</b>	211.
	Attaches to both Lower and Upper Cable Basket of the same depth	54"	1 1/2"	3 3/4"	<b>YR1CBC54</b>	213.
	Attaches to both Lower and Upper Cable Basket of the same depth	60"	1 1/2"	3 3/4"	<b>YR1CBC60</b>	217.
	Attaches to both Lower and Upper Cable Basket of the same depth	66"	1 1/2"	3 3/4"	<b>YR1CBC66</b>	219.
	Attaches to both Lower and Upper Cable Basket of the same depth	72"	1 1/2"	3 3/4"	<b>YR1CBC72</b>	222.
	Attaches to both Lower and Upper Cable Basket of the same depth	78"	1 1/2"	3 3/4"	<b>YR1CBC78</b>	231.
	Attaches to both Lower and Upper Cable Basket of the same depth	84"	1 1/2"	3 3/4"	<b>YR1CBC84</b>	265.
 Antenna Wire Basket End Cap (pair)	Attaches to both Lower and Upper Cable Basket of the same depth	1 1/8"	6"	3 3/4"	<b>YR1CBE06</b>	137.
	Attaches to both Lower and Upper Cable Basket of the same depth	1 1/8"	12"	3 3/4"	<b>YR1CBE12</b>	159.
 Vertical Infeed/Wire Manager	For desks or desk height table	3"	2 1/2"	23"	<b>YR1VWM323</b>	417.
	For standing height table 36"h	3"	2 1/2"	31"	<b>YR1VWM330</b>	563.
	For standing height table 42"h	3"	2 1/2"	37"	<b>YR1VWM336</b>	563.

Ordering Information	Order Code	Included With	Options
<b>Cable Clips</b>	<b>Cable Clips</b>	<b>Cable Clips</b>	<b>Cable Clips</b>
1. Pattern Number	<i>Example:</i> <b>YR1CC</b>	<b>Cable Basket</b>	<b>Cable Basket</b>
<b>Cable Basket</b>	<b>YR1CC</b> Cable Clips	Attachment Hardware	<b>Vertical Infeed/Wire Manager</b>
1. Pattern Number	<b>Vertical Infeed/Wire Manager</b>	<b>Cable Basket Extension Mount</b>	
<b>Vertical Infeed/Wire Manager</b>	<i>Example:</i> <b>YR1VWM, 323</b>	<b>KitRods</b>	
1. Pattern Number	<b>YR1VWM</b> Vertical Infeed/Wire Manager	Attachment Hardware	
2. Paint Finish	<b>118T</b> Bright White Paint	<b>Cable Basket Extra Mount Kit</b>	
		Attachment Hardware	
		Plates	
		<b>Vertical Infeed/Wire Manager</b>	
		Attachment Hardware	

**Fence Planning Guidelines**

Fence is an independent 5" thick service wall intended to define the center of a cluster or the perimeter of a team space. Fence distributes and manages power, data and communications for a group of workspaces through the use of convenient outlets, accessible cable trays and slatwall. The unique Fence crown supports the end of a desk, screens and storage cabinets on stanchions in the center.

Fence can be specified at either 25" or 28 1/2" high. The 25" horizon aligns with the top of Antenna desk legs, enabling desk support rails to extend above the Fence crown top cap. The 28 1/2" horizon aligns with the top of a standard desk height top. The crown top cap corresponds in thickness and edge radius to an Antenna desk top.

Full or segmented covers to enclose the Fence structure are available with a painted, laminate or veneer surface. Full covers conceal the entire Fence structure, ending at the underside of the

crown. Segmented Fence covers are available as 9" high upper covers and 14" or 17" high lower covers. Fence covers are available in 12" width increments up to 72" and may span across straight frame-to-frame connections.

Fence can be configured in freestanding straight runs in any combination of 4', 5', or 6' widths, or in L, T, X, V or 120-degree Y connections.

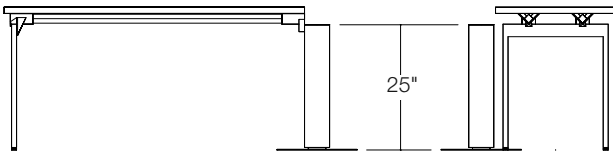
Modular power systems available for Fence connect to the building at any point under the base and distribute either Knoll 2+2 or 3+3 electrical components up to six circuits from a single infeed. The unique profile of the frame and covers enables hundreds of cables to be "laid in" across multiple frames.

Screens for Fence are available in heights that create a horizon of 42" for seated visual access or 49" for seated visual privacy attaching to either 25" or 28 1/2" high Fence. Stanchion Mounted cabinets are able to attach to Fence using stanchion brackets, creating a 49" high horizon.

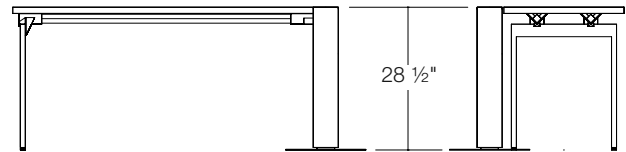
A Fence configuration consists of frames, legs, stabilizer feet, crown top caps, end covers, connectors, covers and power components.

The recommended planning sequence is:

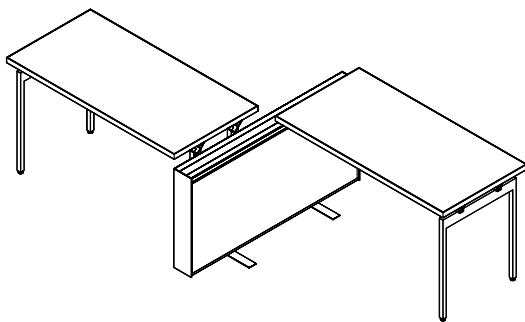
1. Determine the overall length and height of Fence frames and add legs/stabilizer feet where required (see stability guidelines).
2. Specify crown top caps to trim the top of the frame, flat ends for the ends of the frame and connectors for frame-to-frame connections.
3. Position outlet covers, cable tray and slatwall in desired location.
4. Fill in remaining frame openings with upper, lower and/or full covers.
5. Complete power specifications with outlet modules, duplex receptacles, infeeds and jumper cables.



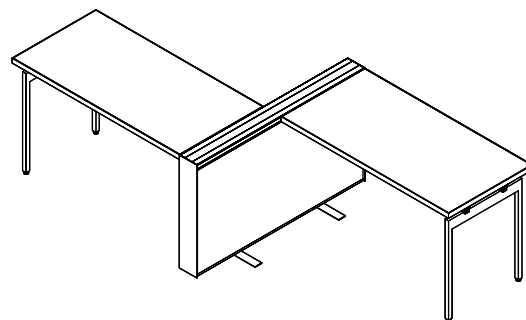
25"H Fence Elevations



28 1/2"H Fence Elevations



25"H Fence



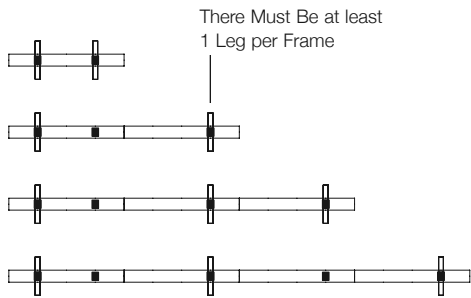
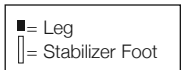
28 1/2"H Fence

## Fence Stability Guidelines

Fence can be planned in straight runs or connected in L, T, X, V or Y configurations. Legs are required 1' from any connector and a stabilizer foot should also be added 8' or less from an L, T or V connector. Two Fence legs are recommended for each frame when a desk

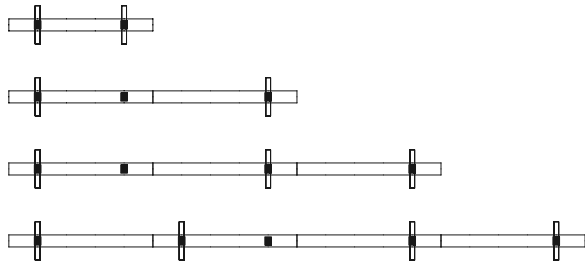
end support or upmounted storage cabinet application is planned. In addition to legs, a stabilizer foot should be added at each end and every 8' along a straight run. If storage or desk supports are not planned, Fence legs are required at each end of straight runs and every 4' or 5' with at least one per Fence frame.

When supporting overhead storage, fence must be stabilized by attachment to an adjacent desk.

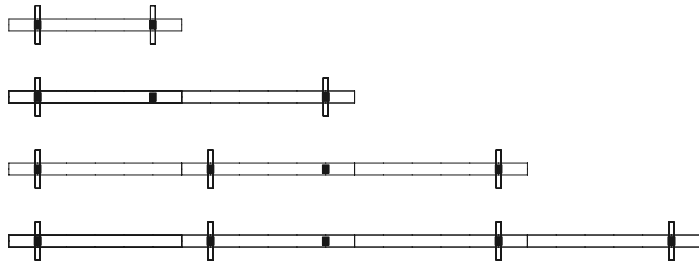


There Must Be at least 1 Leg per Frame

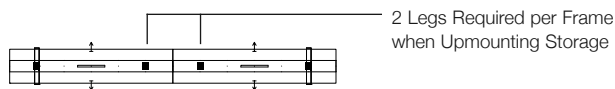
Straight Run Configurations using 48"W Frames



Straight Run Configurations using 60"W Frames

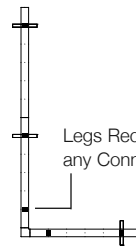


Straight Run Configurations using 72"W Frames

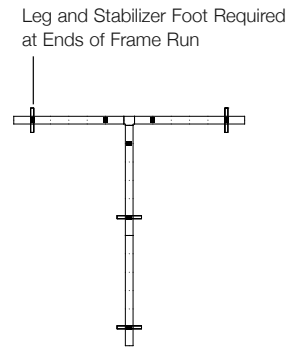


2 Legs Required per Frame when Upmounting Storage

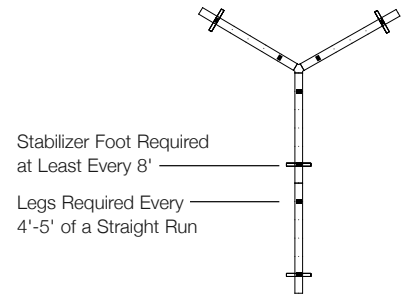
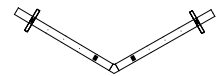
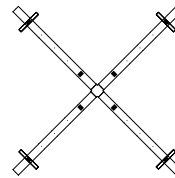
Straight 12' Run with Upmounted Storage



Legs Required 1' from any Connector



Leg and Stabilizer Foot Required at Ends of Frame Run



Stabilizer Foot Required at Least Every 8'  
Legs Required Every 4'-5' of a Straight Run

### Fence Structure

Fence frames are the base structure of a Fence application. Frames are designed with 1" x 2" vertical studs every 12". Half-width vertical studs at each end are welded to a 1" high horizontal crown and bottom channel that are the full width of the frame. Frames are 21" high and available in 4', 5' and 6' widths. Frames include one set of connectors to join to the next frame in a straight line. The top of the frame crown has features that enable desk support brackets to attach to either side of the Fence frame, as well as screen and storage stanchions in the center of the crown.

The bottom channel of the frame has ports to enable vertical cable feeds between studs. Studs have two ports that allow lateral distribution of power jumper cables. Steel clips are welded to both faces of the studs to support the attachment of Fence covers. Covers are offset 1" to enable lay-in cable management across the face of any length of interconnected frames. Cable clips can be specified separately to manage bundles of communication cables.

Fence is available in two heights: 25" and 28 1/2". The height of fence is determined by the height of the leg, specify 4" high legs for 25" high Fence or 7" high legs for 28 1/2" high Fence. Legs attach to the frame bottom channel 1" from each end. Legs are required 1' from any connector and a stabilizer foot should also be added 8' or less from an L, T or V connector. Two Fence legs are recommended for each frame when a desk end support or upmounted storage cabinet application is planned. If storage or desk supports are not planned, Fence legs are required at each end of straight runs and every 4' or 5' with at least one per Fence frame.

A stabilizer foot is a heavy gauge steel foot that attaches to a Fence leg and extends 6" on either side of the frame. In addition to legs, a stabilizer foot should be added at each end and every 8' along a straight run.

### Construction

Frames are 21" high steel weldments available in 48", 60", and 72" widths. Frames are composed of a 1" high crown, bottom rail, 1/2" wide roll formed studs at ends and 1" wide roll formed studs on 12" centers between the ends. Formed steel clips welded at the top, center and bottom of each stud enable covers to mount and snap into position without tools.

Legs are extruded aluminum with steel top and bottom plates to connect to the bottom of the frame 12" from either end and accept 3" high leveling glides with 2" adjustable height.

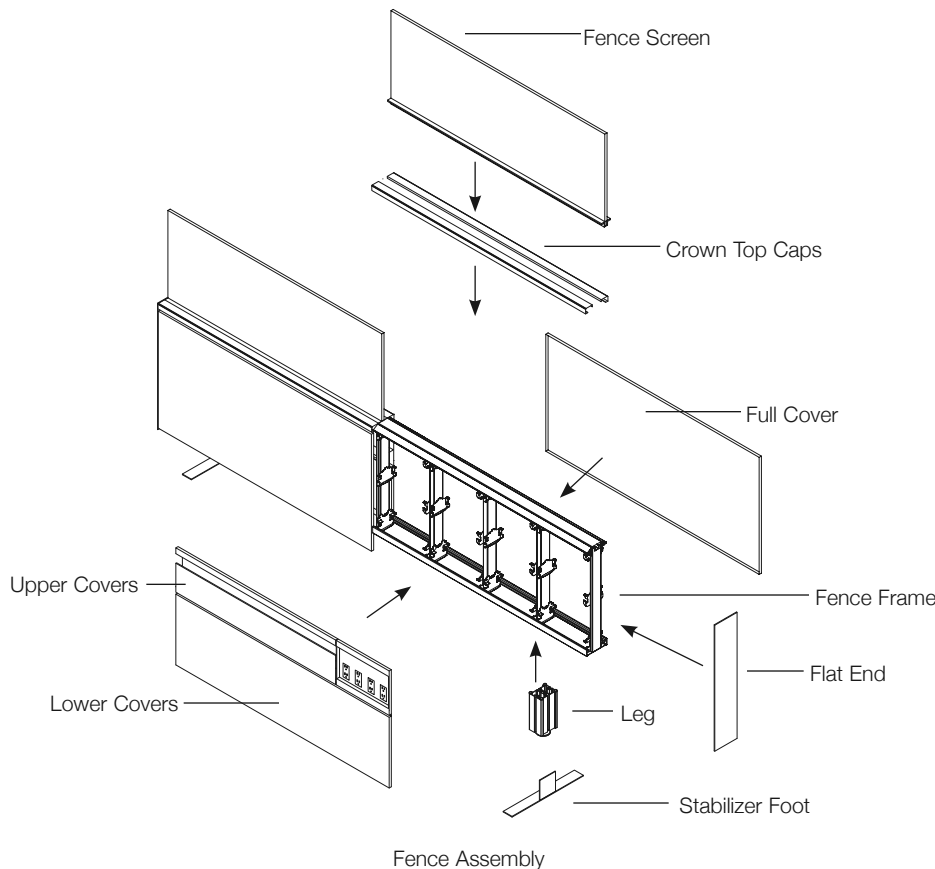
Stabilizer feet are an inverted T-shape constructed of welded steel that rests directly on the floor below the leveling glide.

Cable clips are molded black plastic, approximately 1 1/2"H x 3/4"D, and each can manage 10 or more CAT5 cables.

Antenna Fence frame is essentially similar to Currents Fence, but has a different bottom channel to enable the covers to extend to the floor. Legs and feet are unique to Antenna Fence.

### Specification Options

Frames have a black paint finish. The legs and stabilizer foot are available in any core paint finish. Cable clips (AR1PCC100) must be specified separately and are available in packages of 100.

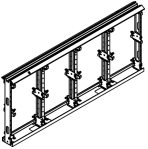
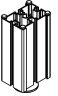
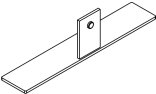


Fence Components



# Fence Structure

## Frames, Legs and Stabilizer Foot

description	type	w	d	h	pattern no.	list
	48" Wide	48"	5"	21"	<b>YFF2148</b>	\$559.
	60" Wide	60"	5"	21"	<b>YFF2160</b>	663.
	72" Wide	72"	5"	21"	<b>YFF2172</b>	738.
	For use with 25" High Fence	3 1/2"	4"	4"	<b>YFL25</b>	39.
	For use with 28 1/2" High Fence	3 1/2"	4"	7"	<b>YFL28</b>	51.
	For use with individual leg	4"	16"	1/4"	<b>YFLSF</b>	102.

### Ordering Information

#### Frame/Legs

1. Pattern Number

#### Stabilizer Foot

1. Pattern Number  
2. Paint Finish

### Order Code

#### Frame/Legs

*Example:* **YFF2148**

**YFF** Fence Frame

**21** Height

**48** Width

#### Stabilizer Foot

*Example:* **YFLSF, 118T**

**YFLSF** Stabilizer Foot

**118T** Bright White Paint

### Included With

#### Frame/Legs

**Stabilizer Foot**  
Attachment Hardware

### Options

#### Frame/Legs

**Stabilizer Foot**

### Fence Connectors and Trim

Each fence frame requires a pair of matching width crown top caps. Crown top caps match the profile of an Antenna desk top and snap on to either side of the frame crown, leaving a center channel accessible for mounting screens or overhead support stanchions.

Crown center channel can be filled with a crown top cap center channel. Center crown top caps can be trimmed on site to fit around stanchions or off module screens.

Fence flat ends attach directly to the outside ends of the frame, covering the ends of the crown top caps and edges of side covers.

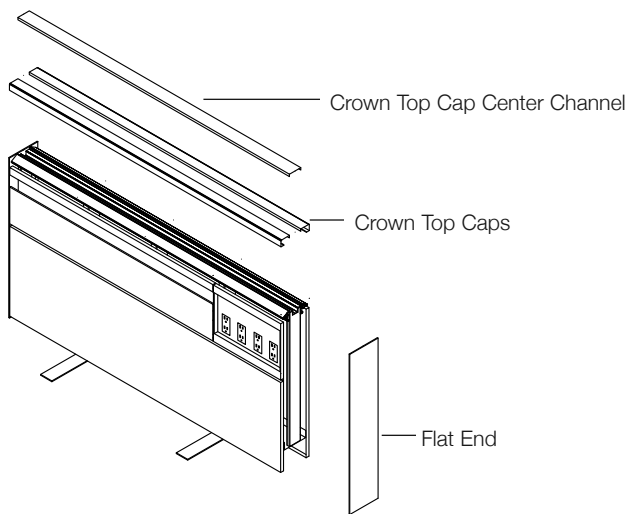
Fence connectors attach between two or more frames at a 90-degree or 120-degree angle creating L, X, T, V or Y conditions. Connectors add 1" in plan on either side. Connector kits include formed steel top and bottom brackets, inside and outside vertical trim covers, connector top cap and end caps for the ends of crown top caps.

### Construction

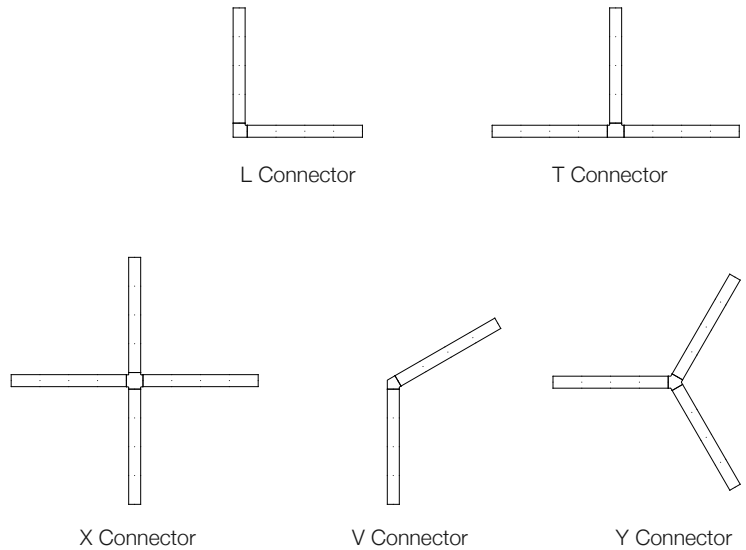
Crown top caps are painted extruded aluminum. Crown top cap center channels are extruded metal. Connector kits are comprised of formed steel top and bottom brackets and trim covers, molded plastic top caps and metal crown end caps.

### Specification Options

Crown top caps and crown top cap center channels can be specified in any core paint finish. Flat ends and connector covers can be specified in any core paint finish. For L, T, and V conditions, specify connector top cap and crown end caps, which are included in connector kits, in any core paint finish. For X and Y conditions, specify crown end caps in any core paint finish.





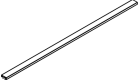
Connector and Trim Assembly Detail



Fence Connector Applications

# Fence Connectors and Trim

## *Antenna Crown Top Caps and Flat Ends*

description	type	w	d	h	pattern no.	list
Flat Ends 	For 28 1/2" High Fence		1/4"	28 1/2"	<b>YFJE28</b>	\$115.
	For use with 25" High Fence	5"	1/4"	25"	<b>YFJE25</b>	115.
Crown Top Caps (pair) 	For use with 48" wide frame	48"	1 1/2"	3/4"	<b>YFTC48</b>	64.
	For use with 60" wide frame	60"	1 1/2"	3/4"	<b>YFTC60</b>	89.
	For use with 72" wide frame	72"	1 1/2"	3/4"	<b>YFTC72</b>	102.
Crown Top Cap Center Channel 	For use with 48" wide crown top caps	48"	1 3/4"	3/4"	<b>YFCC48</b>	32.
	For use with 60" wide crown top caps	60"	1 3/4"	3/4"	<b>YFCC60</b>	45.
	For use with 72" wide crown top caps	72"	1 3/4"	3/4"	<b>YFCC72</b>	51.

### Ordering Information

#### Crown Covers/Flat Ends

1. Pattern Number
2. Paint Finish

### Order Code

#### Crown Covers/Flat Ends

*Example:* **YFJE25, 118T**

<b>YFJE</b>	Flat End
<b>25</b>	Height
<b>118T</b>	Bright White Paint

### Included With






#### Crown Covers/Flat Ends

### Options

#### Crown Covers/Flat Ends

# Fence Connectors and Trim

## Antenna Connectors

description	type	w	d	h	pattern no.	list
L Connectors (Two-Way) 	For use with 25" High Fence	5"	5"	25"	<b>YFJL25</b>	\$574.
	For use with 28 1/2" High Fence	5"	5"	28 1/2"	<b>YFJL28</b>	574.
T Connectors (Three-Way) 	For use with 25" High Fence	5"	5"	25"	<b>YFJT25</b>	675.
	For use with 28 1/2" High Fence	5"	5"	28 1/2"	<b>YFJT28</b>	675.
X Connectors (Four-Way) 	For use with 25" High Fence	5"	5"	25"	<b>YFJX25</b>	725.
	For use with 28 1/2" High Fence	5"	5"	28 1/2"	<b>YFJX28</b>	725.
V Connectors (Two-Way 120 degree) 	For use with 25" High Fence	5"	5"	25"	<b>YFJV25</b>	922.
	For use with 28 1/2" High Fence	5"	5"	28 1/2"	<b>YFJV28</b>	922.
Y Connector (Three-Way 120 Degree) 	For use with 25" High Fence	5"	5"	25"	<b>YFJY25</b>	559.
	For use with 28 1/2" High Fence	5"	5"	28 1/2"	<b>YFJY28</b>	559.

Ordering Information	Order Code	Included With	Options
<b>Connectors</b>	<b>Connectors</b>	<b>Connectors</b>	<b>Connectors</b>
1. Pattern Number	<i>Example:</i> <b>YFJT25, 118T, 118T,</b>	Attachment Hardware	
2. Vertical Paint Finish (except for X and Y connector)	<b>118T</b>	Connectors	
3. Top Cap Paint Finish	<b>YFJT</b> Fence T Connector	Trim	
4. Crown End Cover Finish	<b>25</b> Height		
	<b>118T</b> Bright White Paint		
	<b>118T</b> Bright White Paint		
	<b>118T</b> Bright White Paint		

### Fence Electrical Components

Fence is powered by a unique point-to-point configuration of standard Knoll 2+2 or 3+3 modular raceways. The central power component is the outlet module, which has integral hooks to hang from the top stud clips on the frame. The outlet module is less than 6" wide, so two outlet modules can fit side by side between any two studs.

Each face of the outlet module accepts two duplex outlets, unique to Antenna Fence, that extend to protrude through the outlet cover openings. Duplex receptacles must be specified to access one of the four or six circuits. The four ports at the bottom of an outlet module accept jumper cables or an infeed with up to three jumper cables.

### Jumpers

Jumper cables are available in various lengths up to 108" to link power between outlet modules. Side by side outlet modules behind a single outlet cover should be

joined by an 18" jumper, outlet modules behind adjacent outlet covers should be joined by a 24" jumper. For other planning conditions, fence jumpers need to be at least 24" wider than the width of the fence cover between outlet covers. For example, if outlet modules are positioned behind outlet covers separated by a 36" wide fence cover, they should be joined by a 60" or wider jumper.

### Infeeds

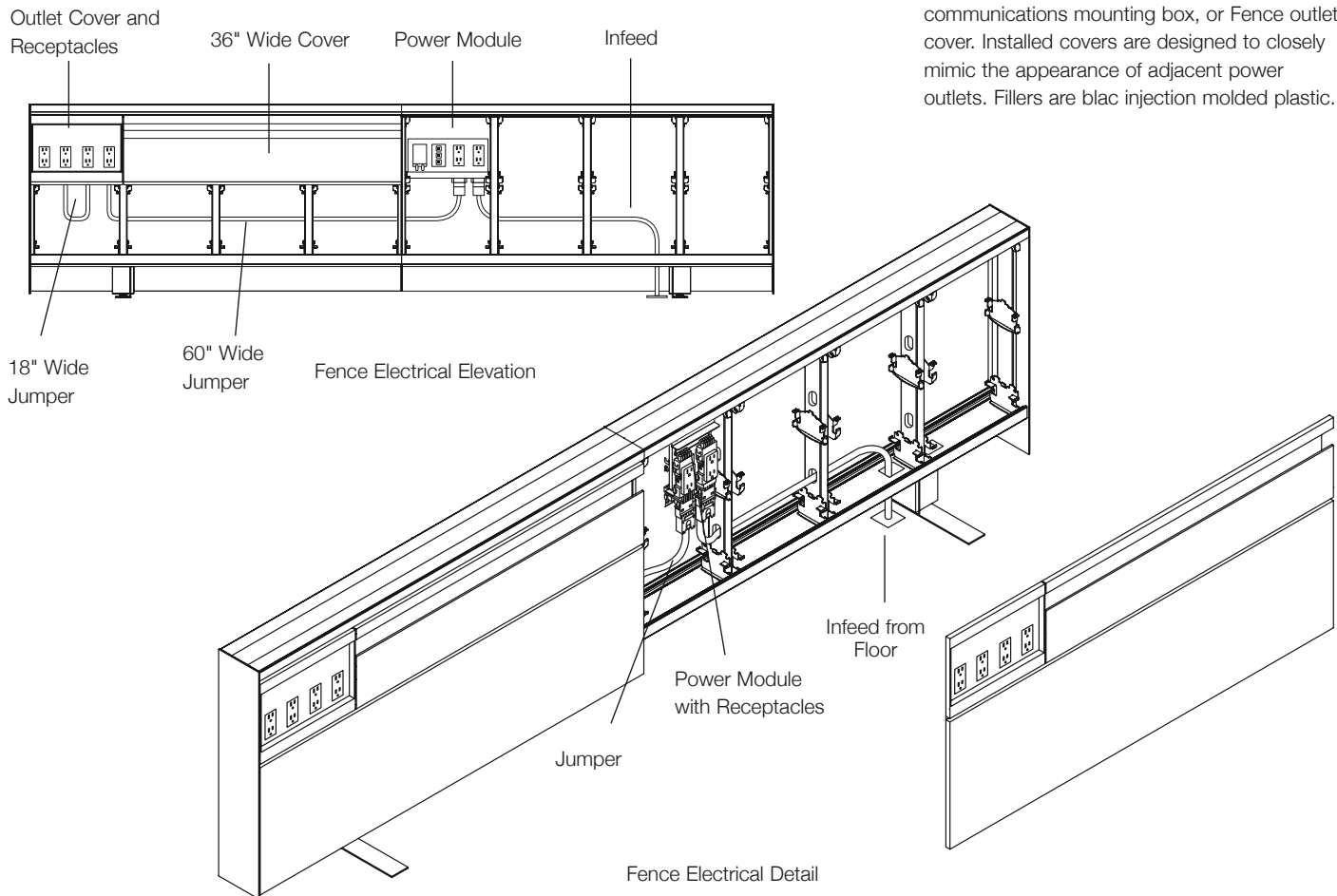
Two types of power infeeds, modular and hardwire, are available to connect the raceway to the building power supply. The modular infeed has a modular connector with a six foot pigtail that connects a junction box directly to Fence, through a port in the bottom of the frame, to an outlet module. Clad in metal conduit, the modular infeed is compliant with San Francisco electrical codes. A hardwire infeed, required in New York City, mounts to the frame and includes a connector with six foot pigtail that connects to an outlet module.

Infeed cables for both power and communications enter the Fence frame through the 1" space at the base of full or lower covers and the 3" (with 25" high Fence) or 6" (with 28 1/2" high Fence) space between the bottom of the frame and the floor.

### Data and Communications

The PDC module extension kit is a set of ten collars that snap securely into an outlet opening in Antenna communications mounting box or Fence outlets cover to project a new outlet mounting position 1/2" away from the face of the box or cover. This added depth can be crucial if communications connectors are unusually deep and are arrayed back to back in the mounting box or Fence. Interior space between back to back communications faceplates is 3" in mounting box, or 3 7/8" in Fence applications. Extension kit accepts most standard, decorative communications faceplates. PDC module extension kit is injection molded black plastic.

Outlet fillers are a kit of ten plastic filler plates that flex to snap securely into any unused outlet opening in Antenna raceway covers, communications mounting box, or Fence outlets cover. Installed covers are designed to closely mimic the appearance of adjacent power outlets. Fillers are black injection molded plastic.

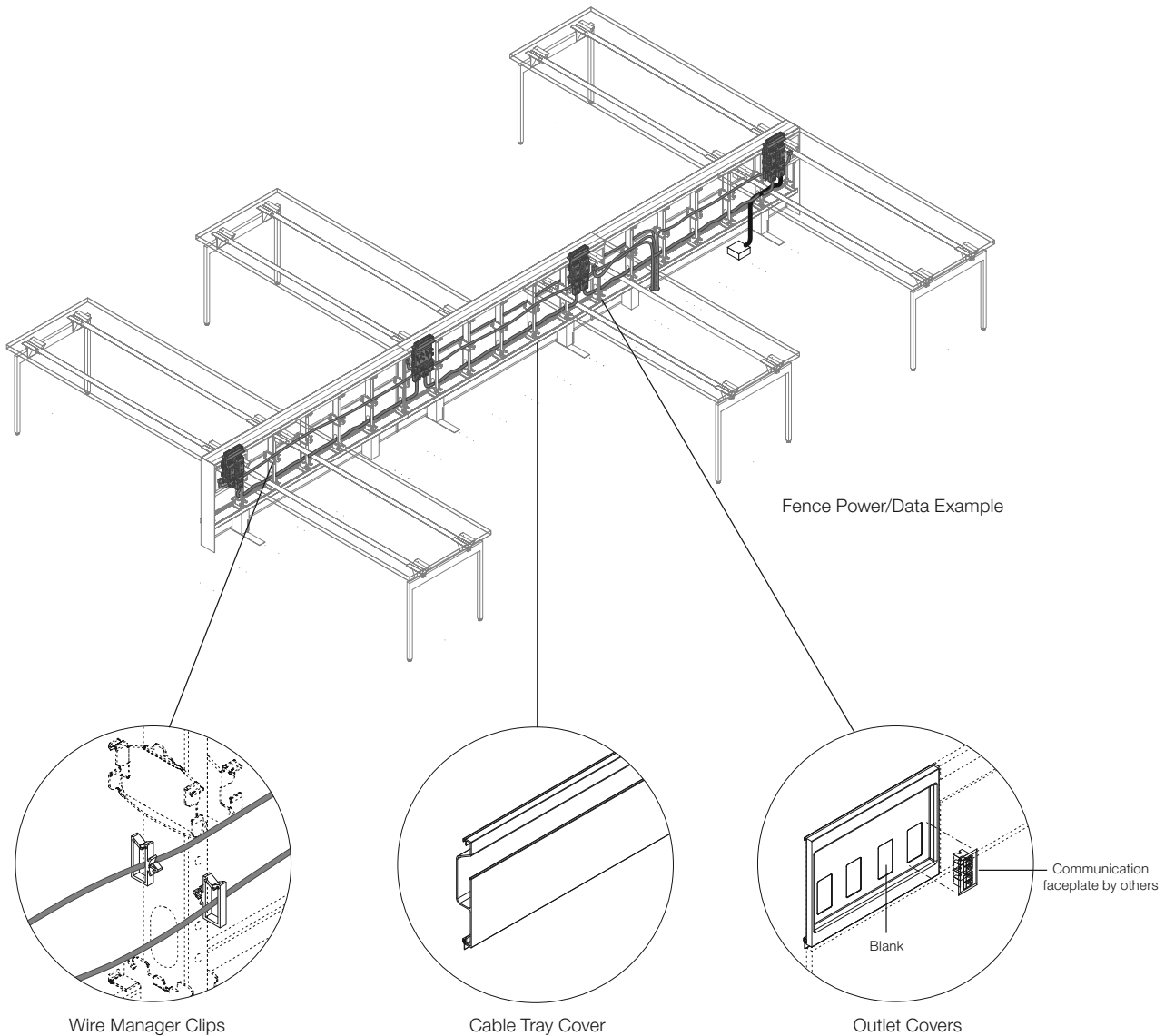


## Construction

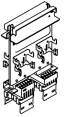
The 2+2 electrical system distributes four 20-amp circuits in eight wires suitable for uninterrupted power supply applications. 2+2 electrical is configured with two hot wires that have a shared ground and neutral and two other hot wires that have separate shared ground and neutrals. The 3+3 electrical system distributes six 20-amp circuits in ten wires suitable for uninterrupted power supply applications. 3+3 electrical is configured with three hot wires with a shared ground and neutral and three other hot wires that have separate shared ground and neutrals.

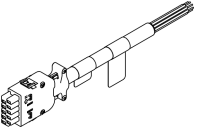
## Specification Options

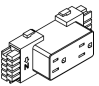
For outlet modules, jumpers and infeeds, specify either the 2+2 or 3+3 electrical system. When using the 2+2 electrical system, specify duplex receptacles for circuits A, B, X or Y. When using the 3+3 electrical system, specify duplex receptacles for circuits A, B, C, X, Y or Z. Duplex receptacles for all circuits are available with a black face. X, Y and Z circuits are also available with an orange face or a black face with an orange triangle.

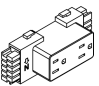


# Electrical Components for Fence 2+2, 3+3 and 4-4-2 Electrical Systems

description	type	w	d	h	pattern no.	list
	2+2, Upper Level	6"	3 1/2"	8 1/2"	<b>YR1EOM</b>	\$186.
	3+3, Upper Level	6"	3 1/2"	8 1/2"	<b>YR1TOM</b>	216.
	4-4-2, Upper Level	6"	3 1/2"	8 1/2"	<b>YR1XOM</b>	225.

	2+2 Hardwire Infeed for New York City	85"	2 1/8"	2 3/8"	<b>YR1EPNY</b>	476.
	2+2 Modular Base Infeed	85"	2 1/8"	2 3/8"	<b>YR1EDPI</b>	216.
	3+3 Hardwire Infeed for New York City	85"	2 1/8"	2 3/8"	<b>YR1TPNY</b>	501.
	3+3 Modular Base Infeed	85"	2 1/8"	2 3/8"	<b>YR1TDPI</b>	251.
	4-4-2 Hardwire Infeed for New York City	85"	2 1/8"	2 3/8"	<b>YR1XPNY</b>	527.
	4-4-2 Modular Base Infeed	85"	2 1/8"	2 3/8"	<b>YR1XDPI</b>	262.

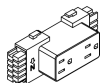
Duplex Receptacles, Extended Face For Use With 4-4-2 Electrical System  	Circuit 1, black	1 1/2"	2"	4 1/2"	<b>YR1XD1</b>	52.
	Circuit 1, black with controlled symbol	1 1/2"	2"	4 1/2"	<b>YR1XD1C</b>	52.
	Circuit 2, black	1 1/2"	2"	4 1/2"	<b>YR1XD2</b>	52.
	Circuit 2, black with controlled symbol	1 1/2"	2"	4 1/2"	<b>YR1XD2C</b>	52.
	Circuit 3, black	1 1/2"	2"	4 1/2"	<b>YR1XD3</b>	52.
	Circuit 3, black with controlled symbol	1 1/2"	2"	4 1/2"	<b>YR1XD3C</b>	52.
	Circuit 3, orange with black triangle	1 1/2"	2"	4 1/2"	<b>YR1XD3O</b>	52.
	Circuit 4, black	1 1/2"	2"	4 1/2"	<b>YR1XD4</b>	52.
	Circuit 4, black with controlled symbol	1 1/2"	2"	4 1/2"	<b>YR1XD4C</b>	52.
Circuit 4, orange with black triangle	1 1/2"	2"	4 1/2"	<b>YR1XD4O</b>	52.	

Duplex Receptacles, Extended Face For Use With Fence  	Circuit A, black	1 1/2"	2"	4 1/2"	<b>YR1XDA</b>	50.
	Circuit A, black with controlled symbol	1 1/2"	2"	4 1/2"	<b>YR1XDAC</b>	50.
	Circuit B, black	1 1/2"	2"	4 1/2"	<b>YR1XDB</b>	50.
	Circuit B, black with controlled symbol	1 1/2"	2"	4 1/2"	<b>YR1XDDB</b>	50.
	Circuit C, black	1 1/2"	2"	4 1/2"	<b>YR1XDC</b>	50.
	Circuit C, black with controlled symbol	1 1/2"	2"	4 1/2"	<b>YR1XDCC</b>	50.
	Circuit X, black	1 1/2"	2"	4 1/2"	<b>YR1XDX</b>	50.
	Circuit X, black with controlled symbol	1 1/2"	2"	4 1/2"	<b>YR1XDXC</b>	50.
	Circuit X, black with orange triangle	1 1/2"	2"	4 1/2"	<b>YR1XDXT</b>	50.
	Circuit X, orange with black triangle	1 1/2"	2"	4 1/2"	<b>YR1XDZO</b>	50.
	Circuit Y, black	1 1/2"	2"	4 1/2"	<b>YR1XDY</b>	50.
	Circuit Y, black with controlled symbol	1 1/2"	2"	4 1/2"	<b>YR1XDYC</b>	50.
	Circuit Y, black with orange triangle	1 1/2"	2"	4 1/2"	<b>YR1XDYT</b>	50.
	Circuit Y, orange with black triangle	1 1/2"	2"	4 1/2"	<b>YR1XDYO</b>	50.
	Circuit Z, black	1 1/2"	2"	4 1/2"	<b>YR1XDZ</b>	50.
	Circuit Z, black with controlled symbol	1 1/2"	2"	4 1/2"	<b>YR1XDZC</b>	50.

Ordering Information	Order Code	Included With	Options
<b>Electrical Components</b> 1. Pattern Number	<b>Electrical Components</b> <i>Example:</i> <b>YR1EOM12</b> <b>YR1EOM</b> Outlet Module <b>12</b> Width	<b>Electrical Components</b>	<b>Electrical Components</b>

# Electrical Components for Fence 2+2, 3+3 and 4-4-2 Electrical Systems

description	type	w	d	h	pattern no.	list
Duplex Receptacles, Extended Face For Use With Fence	Circuit Z, black with orange triangle	1 1/2"	2"	4 1/2"	<b>YR1XDZT</b>	\$50.
	Circuit Z, orange with black triangle	1 1/2"	2"	4 1/2"	<b>YR1XDZO</b>	50.

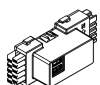


Outlet Fillers	Package of 10	1 1/4"	1/4"	2 1/2"	<b>YROF</b>	39.
----------------	---------------	--------	------	--------	-------------	-----



PDC Module Extension Kit	Package of 10				<b>YR1PDCX</b>	161.
--------------------------	---------------	--	--	--	----------------	------

USB Duplex, Extended Face For Use With Fence	Circuit A, black	1 1/2"	2"	4 1/2"	<b>YR1XUSBA</b>	208.
	Circuit B, black	1 1/2"	2"	4 1/2"	<b>YR1XUSBB</b>	208.
	Circuit C, black	1 1/2"	2"	4 1/2"	<b>YR1XUSBC</b>	208.
	Circuit X, black	1 1/2"	2"	4 1/2"	<b>YR1XUSBX</b>	208.
	Circuit Y, black	1 1/2"	2"	4 1/2"	<b>YR1XUSBY</b>	208.
	Circuit Z, black	1 1/2"	2"	4 1/2"	<b>YR1XUSBZ</b>	208.



Cable Clips for Wall Studs	Package of 100	1/4"	1/2"	1 1/2"	<b>YR1PCC100</b>	92.
----------------------------	----------------	------	------	--------	------------------	-----

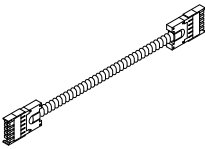
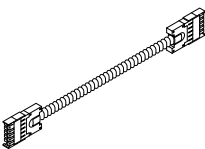
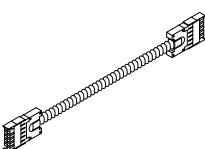


Fence Components

Ordering Information	Order Code	Included With	Options
<b>Electrical Components</b>	<b>Electrical Components</b>	<b>Electrical Components</b>	<b>Electrical Components</b>
1. Pattern Number	<i>Example:</i> <b>YR1EOM12</b> <b>YR1EOM</b> Outlet Module <b>12</b> Width		



# Electrical Components for Fence 2+2, 3+3 and 4-4-2 Electrical Systems

description	type	w	d	h	pattern no.	list
 <p>Jumper Cable, 2+2</p>	For adjacent outlet modules behind one cover	18"	1"	1"	<b>YR1EJ18</b>	\$123.
	For outlets behind adjacent outlet covers	24"	1"	1"	<b>YR1EJ24</b>	130.
	For 12" between outlet covers	36"	1"	1"	<b>YR1EJ36</b>	147.
	For 24" between outlet covers	48"	1"	1"	<b>YR1EJ48</b>	170.
	For 36" between outlet covers	60"	1"	1"	<b>YR1EJ60</b>	188.
	For 48" between outlet covers	72"	1"	1"	<b>YR1EJ72</b>	205.
	For 60" between outlet covers	84"	1"	1"	<b>YR1EJ84</b>	225.
	For 72" between outlet covers	96"	1"	1"	<b>YR1EJ96</b>	244.
	For 84" between outlet covers	108"	1"	1"	<b>YR1EJ108</b>	253.
 <p>Jumper Cable, 3+3</p>	For adjacent outlet modules behind one cover	18"	1"	1"	<b>YR1TJ18</b>	160.
	For outlets behind adjacent outlet covers	24"	1"	1"	<b>YR1TJ24</b>	170.
	For 12" between outlet covers	36"	1"	1"	<b>YR1TJ36</b>	192.
	For 24" between outlet covers	48"	1"	1"	<b>YR1TJ48</b>	220.
	For 36" between outlet covers	60"	1"	1"	<b>YR1TJ60</b>	244.
	For 48" between outlet covers	72"	1"	1"	<b>YR1TJ72</b>	265.
	For 60" between outlet covers	84"	1"	1"	<b>YR1TJ84</b>	295.
	For 72" between outlet covers	96"	1"	1"	<b>YR1TJ96</b>	318.
	For 84" between outlet covers	108"	1"	1"	<b>YR1TJ108</b>	327.
 <p>Jumper Cable, 4-4-2</p>	For adjacent outlet modules behind one cover	18"	1"	1"	<b>YR1XJ18</b>	168.
	For outlets behind adjacent outlet covers	24"	1"	1"	<b>YR1XJ24</b>	178.
	For 12" between outlet covers	36"	1"	1"	<b>YR1XJ36</b>	203.
	For 24" between outlet covers	48"	1"	1"	<b>YR1XJ48</b>	231.
	For 36" between outlet covers	60"	1"	1"	<b>YR1XJ60</b>	256.
	For 48" between outlet covers	72"	1"	1"	<b>YR1XJ72</b>	279.
	For 60" between outlet covers	84"	1"	1"	<b>YR1XJ84</b>	309.
	For 72" between outlet covers	96"	1"	1"	<b>YR1XJ96</b>	332.
	For 84" between outlet covers	108"	1"	1"	<b>YR1XJ108</b>	343.

Ordering Information	Order Code	Included With	Options
<b>Electrical Components</b>	<b>Electrical Components</b>	<b>Electrical Components</b>	<b>Electrical Components</b>
1. Pattern Number	<i>Example:</i> <b>YR1TJ36</b>		
	<b>YR1TJ</b> Jumper Cable		
	<b>36</b> Width		

### Fence Upper Covers

Upper covers are nominal 9"H and mount only in the upper position of each face of the frame, 1/2" below and flush with the crown covers. Specifying the surface covers of the fence should begin by locating outlets covers and any functional surface covers—integral cable tray or slatwall. Other surface covers can be painted wood, laminate, or veneer. Covers attach using full width extrusions that hang from the top stud clips and snap onto the middle clips on the studs.

Outlet covers are 12" wide with a 1/2" deep recessed surface and four standard duplex outlet openings. Each outlet opening is oriented vertically and is sized to fit around a power outlet or standard Decora-size snap-in data/communications outlet. Hardwired outlet covers are also available when required by code.

Cable tray covers are designed to enable user-accessible cable management within the surface of the Fence between outlet covers. Slatwall has integral slots from which KnollExtra accessories can be hung from the surface of the Fence. Cable tray and slatwall covers are available in 12" widths up to 72".

Upper covers are also available with a painted or laminate finish in widths from 12"-72" or with a Techwood or natural veneer finish in widths from 12"-48". The grain direction is vertical for veneer covers.

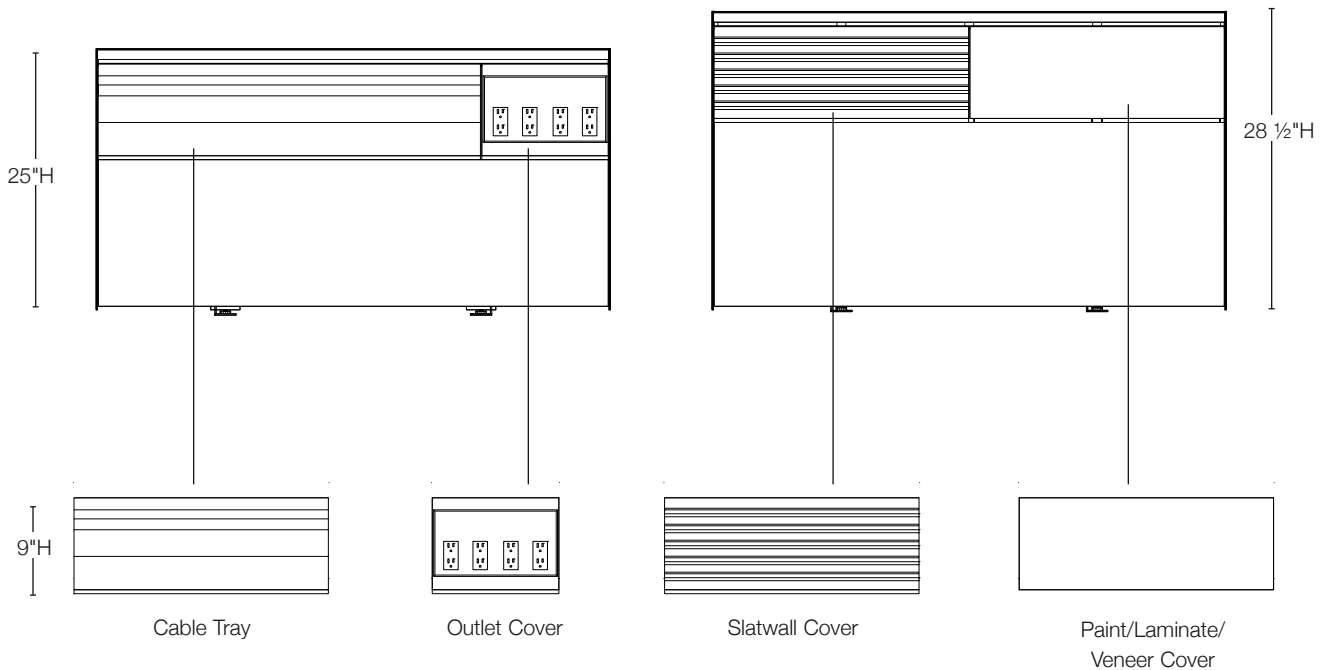
### Construction

Modular outlet covers are constructed of injection molded plastic and hardwire outlet covers are formed steel. Cable trays and slatwall are extruded aluminum with integral top and bottom hook details. Painted, laminate and veneer upper covers have a 1/2" thick wood core with top and bottom aluminum extrusions to engage to the stud clips.

### Specification Options

Outlet covers, cable tray, slatwall, and painted upper covers are available in any Knoll core paint finish. Laminate covers are available in any Knoll core laminate finish. Veneer covers are available in any Knoll core Techwood or natural veneer finish. Veneer and patterned laminate upper covers are only available in widths up to 48".

Elevation of Upper Covers for 25" and 28 1/2" High Fence

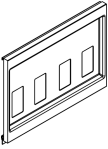
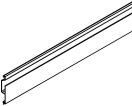
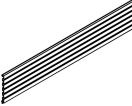


Fence Components

# Upper Covers

## Outlet, Cable Tray and Slatwall Covers

### For 25" or 28" High Fence

description	type	w	d	h	pattern no.	list
Upper Outlet Covers 	Modular	12"	1"	9"	<b>YFCOC</b>	\$51.
	Hardwire	12"	1"	9"	<b>YFCHOC</b>	127.
Upper Cable Tray Covers 		12"	1"	9"	<b>YFC0912C</b>	51.
		24"	1"	9"	<b>YFC0924C</b>	89.
		36"	1"	9"	<b>YFC0936C</b>	127.
		48"	1"	9"	<b>YFC0948C</b>	178.
		60"	1"	9"	<b>YFC0960C</b>	216.
		72"	1"	9"	<b>YFC0972C</b>	256.
Upper Slatwall Covers 		12"	1"	9"	<b>YFC0912S</b>	45.
		24"	1"	9"	<b>YFC0924S</b>	76.
		36"	1"	9"	<b>YFC0936S</b>	115.
		48"	1"	9"	<b>YFC0948S</b>	153.
		60"	1"	9"	<b>YFC0960S</b>	192.
		72"	1"	9"	<b>YFC0972S</b>	228.

#### Ordering Information

#### Upper Covers

1. Pattern Number
2. Paint Finish

#### Order Code

#### Upper Covers

*Example:* **YFCOC, 118T**

**YFCOC** Outlet Cover

**118T** Bright White Paint

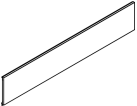
#### Included With

#### Upper Covers

#### Options

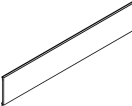
#### Upper Covers

Upper Covers  
*Painted*  
 For 25" or 28" High Fence

description	w	d	h	pattern no.	list
Upper Painted Covers	12"	3/4"	9"	<b>YFC0912P</b>	\$171.
	24"	3/4"	9"	<b>YFC0924P</b>	183.
	36"	3/4"	9"	<b>YFC0936P</b>	196.
	48"	3/4"	9"	<b>YFC0948P</b>	210.
	60"	3/4"	9"	<b>YFC0960P</b>	249.
	72"	3/4"	9"	<b>YFC0972P</b>	273.

Ordering Information	Order Code	Included With	Options
<b>Painted Covers</b>	<b>Painted Covers</b>	<b>Painted Covers</b>	<b>Painted Covers</b>
1. Pattern Number	<i>Example:</i> <b>YFC0936P, 118T</b>		
2. Paint Finish	<b>YFC</b> Fence Cover		
	<b>09</b> Height		
	<b>36</b> Width		
	<b>P</b> Painted		
	<b>118T</b> Bright White Paint		

Upper Covers  
*Laminate*  
*For 25" or 28" High Fence*

description	w	d	h	pattern no.	list
Upper Laminate Covers	12"	3/4"	9"	<b>YFC0912L</b>	\$183.
	24"	3/4"	9"	<b>YFC0924L</b>	210.
	36"	3/4"	9"	<b>YFC0936L</b>	234.
	48"	3/4"	9"	<b>YFC0948L</b>	262.
	60"	3/4"	9"	<b>YFC0960L</b>	339.
	72"	3/4"	9"	<b>YFC0972L</b>	366.

**Ordering Information**

**Laminate Covers**

1. Pattern Number
2. Laminate Finish

**Order Code**

<b>Laminate Covers</b>	
<i>Example: YFC0936L, 118</i>	
<b>YFC</b>	Fence Cover
<b>09</b>	Height
<b>36</b>	Width
<b>L</b>	Laminate
<b>118</b>	Bright White Laminate


**Included With**

Laminate Covers

**Options**

Laminate Covers

Upper Covers  
*Veneer*  
*For 25" or 28" High Fence*

description	w	d	h	pattern no.	V1	V2	V3
Upper Veneer Covers 	12"	3/4"	9"	<b>YFC0912V</b>	\$512.	\$590.	\$797.
	24"	3/4"	9"	<b>YFC0924V</b>	571.	655.	883.
	36"	3/4"	9"	<b>YFC0936V</b>	658.	757.	1,020.
	48"	3/4"	9"	<b>YFC0948V</b>	721.	828.	1,121.

**Ordering Information**

**Veneer Covers**

1. Pattern Number
2. Veneer Finish

**Order Code**

**Veneer Covers**

*Example:* **YFC0936V, Y316**

<b>YFC</b>	Fence Cover
<b>09</b>	Height
<b>36</b>	Width
<b>V</b>	Veneer
<b>Y316</b>	Maple

**Included With**

Veneer Covers

**Options**

Veneer Covers

# Lower Covers

## Planning Guidelines and Specifications

### Fence Lower Covers

Lower covers fill the space below upper covers on Fence down to 1" above the floor level, which allows continuous cable entry/exit. Lower covers are planned in the lower section of Fence below upper covers and can be combined with adjacent full covers on the Fence. Lower covers attach using full width extrusions that hang from the middle position stud clips and snap onto the bottom position clips on the studs.

Specify 14" high lower covers for use with 25" high Fence and 17" high lower covers for use with 28 1/2" high Fence.

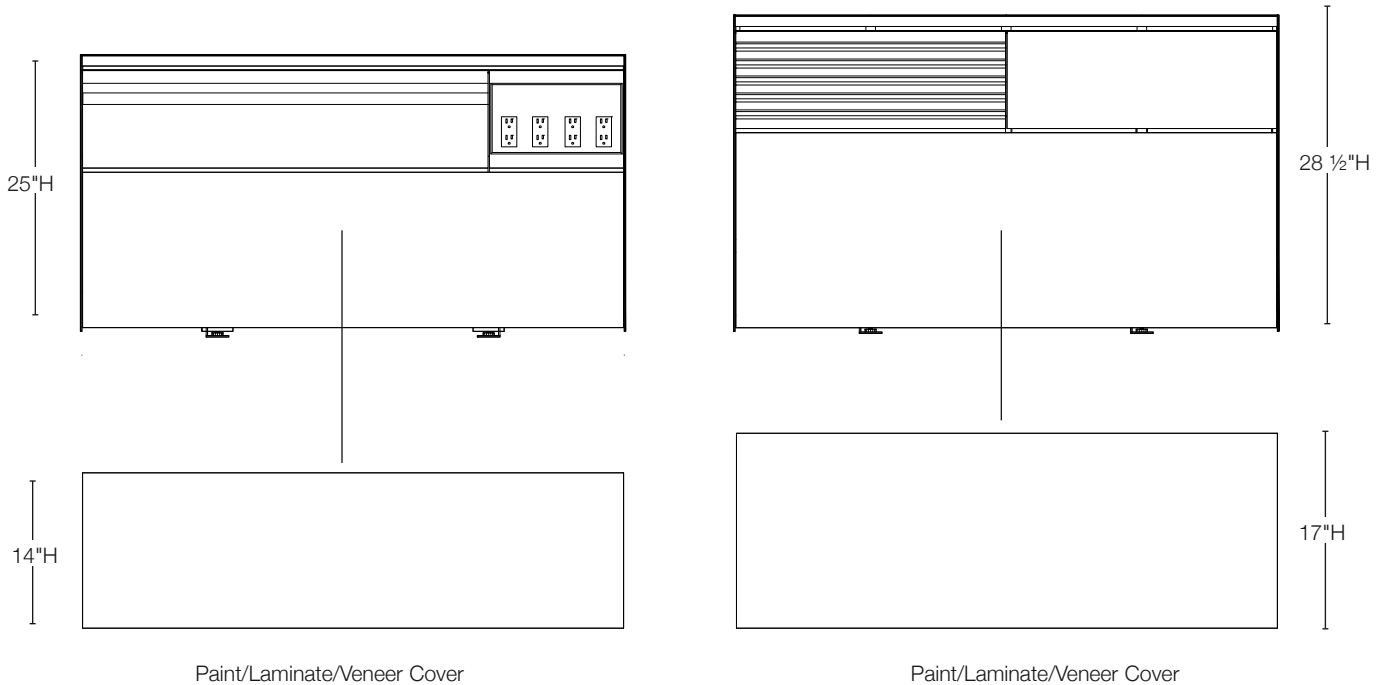
### Construction

Painted, laminate and veneer upper covers have a 1/2" thick wood core with top and bottom aluminum extrusions to engage to the stud clips.

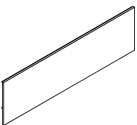
### Specification Options


Painted upper covers are available in any Knoll core paint finish. Laminate covers are available in any Knoll core laminate finish. Veneer covers are available in any Knoll core Techwood or natural veneer finish. The grain direction is vertical for veneer covers. Veneer and patterned laminate upper covers are only available in widths up to 48".

Elevation of Lower Covers for 25" and 28 1/2" High Fence



Lower Covers  
*Painted*  
*For 25" or 28" High Fence*

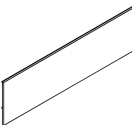
description	w	d	h	pattern no.	list
Lower Painted Covers for 25" High Fence 	12"	3/4"	14"	<b>YFC1412P</b>	\$171.
	24"	3/4"	14"	<b>YFC1424P</b>	183.
	36"	3/4"	14"	<b>YFC1436P</b>	196.
	48"	3/4"	14"	<b>YFC1448P</b>	210.
	60"	3/4"	14"	<b>YFC1460P</b>	249.
	72"	3/4"	14"	<b>YFC1472P</b>	273.

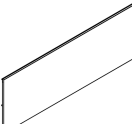
Lower Painted Covers for 28" High Fence 	12"	3/4"	17"	<b>YFC1712P</b>	171.
	24"	3/4"	17"	<b>YFC1724P</b>	183.
	36"	3/4"	17"	<b>YFC1736P</b>	196.
	48"	3/4"	17"	<b>YFC1748P</b>	210.
	60"	3/4"	17"	<b>YFC1760P</b>	249.
	72"	3/4"	17"	<b>YFC1772P</b>	273.

Ordering Information	Order Code	Included With	Options
<b>Painted Covers</b>	<b>Painted Covers</b>	<b>Painted Covers</b>	<b>Painted Covers</b>
1. Pattern Number	<i>Example:</i> <b>YFC1736P, 118T</b>		
2. Paint Finish	<b>YFC</b> Fence Cover		
	<b>17</b> Height		
	<b>36</b> Width		
	<b>P</b> Painted		
	<b>118T</b> Bright White Paint		



Lower Covers  
*Laminate*  
*For 25" or 28" High Fence*

description	w	d	h	pattern no.	list
Lower Laminate Covers for 25" High Fence 	12"	3/4"	14"	<b>YFC1412L</b>	\$183.
	24"	3/4"	14"	<b>YFC1424L</b>	210.
	36"	3/4"	14"	<b>YFC1436L</b>	234.
	48"	3/4"	14"	<b>YFC1448L</b>	262.
	60"	3/4"	14"	<b>YFC1460L</b>	339.
	72"	3/4"	14"	<b>YFC1472L</b>	366.

Lower Laminate Covers for 28" High Fence 	12"	3/4"	17"	<b>YFC1712L</b>	183.
	24"	3/4"	17"	<b>YFC1724L</b>	228.
	36"	3/4"	17"	<b>YFC1736L</b>	257.
	48"	3/4"	17"	<b>YFC1748L</b>	281.
	60"	3/4"	17"	<b>YFC1760L</b>	406.
	72"	3/4"	17"	<b>YFC1772L</b>	426.

**Ordering Information**

**Laminate Covers**

1. Pattern Number
2. Laminate Finish

**Order Code**

<b>Laminate Covers</b>	
<i>Example: YFC1736L, 118</i>	
<b>YFC</b>	Fence Cover
<b>17</b>	Height
<b>36</b>	Width
<b>L</b>	Laminate
<b>118</b>	Bright White Laminate

**Included With**

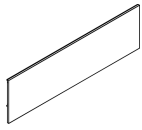
Laminate Covers

**Options**

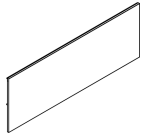
Laminate Covers

Lower Covers  
*Veneer*  
*For 25" or 28" High Fence*

description	w	d	h	pattern no.	V1	V2	V3
Lower Veneer Covers for 25" High Fence	12"	3/4"	14"	<b>YFC1412V</b>	\$533.	\$612.	\$826.
	24"	3/4"	14"	<b>YFC1424V</b>	605.	696.	940.
	36"	3/4"	14"	<b>YFC1436V</b>	701.	807.	1,088.
	48"	3/4"	14"	<b>YFC1448V</b>	766.	879.	1,189.



Lower Veneer Covers for 28" High Fence	12"	3/4"	17"	<b>YFC1712V</b>	539.	621.	838.
	24"	3/4"	17"	<b>YFC1724V</b>	616.	709.	957.
	36"	3/4"	17"	<b>YFC1736V</b>	715.	823.	1,110.
	48"	3/4"	17"	<b>YFC1748V</b>	792.	911.	1,230.



Ordering Information	Order Code	Included With	Options
<b>Veneer Covers</b>	<b>Veneer Covers</b>	<b>Veneer Covers</b>	<b>Veneer Covers</b>
1. Pattern Number	<i>Example:</i> <b>YFCO936V, Y316</b>		
2. Veneer Finish	<b>YFC</b> Fence Cover		
	<b>09</b> Height		
	<b>36</b> Width		
	<b>V</b> Veneer		
	<b>Y316</b> Maple		

# Full Covers

## Planning Guidelines and Specifications

### Fence Full Covers

Full covers fill the entire side of Fence, from the space below the crown down to 1" above the floor allowing continuous cable entry/exit. Full covers can be planned adjacent to any combination of upper and lower covers on Fence. Full covers attach using full width extrusions that hang from the top position stud clips and snap onto the bottom stud clips.

Specify 23" high full covers for use with 25" high Fence and 26" high full covers for use with 28 ½" high Fence.

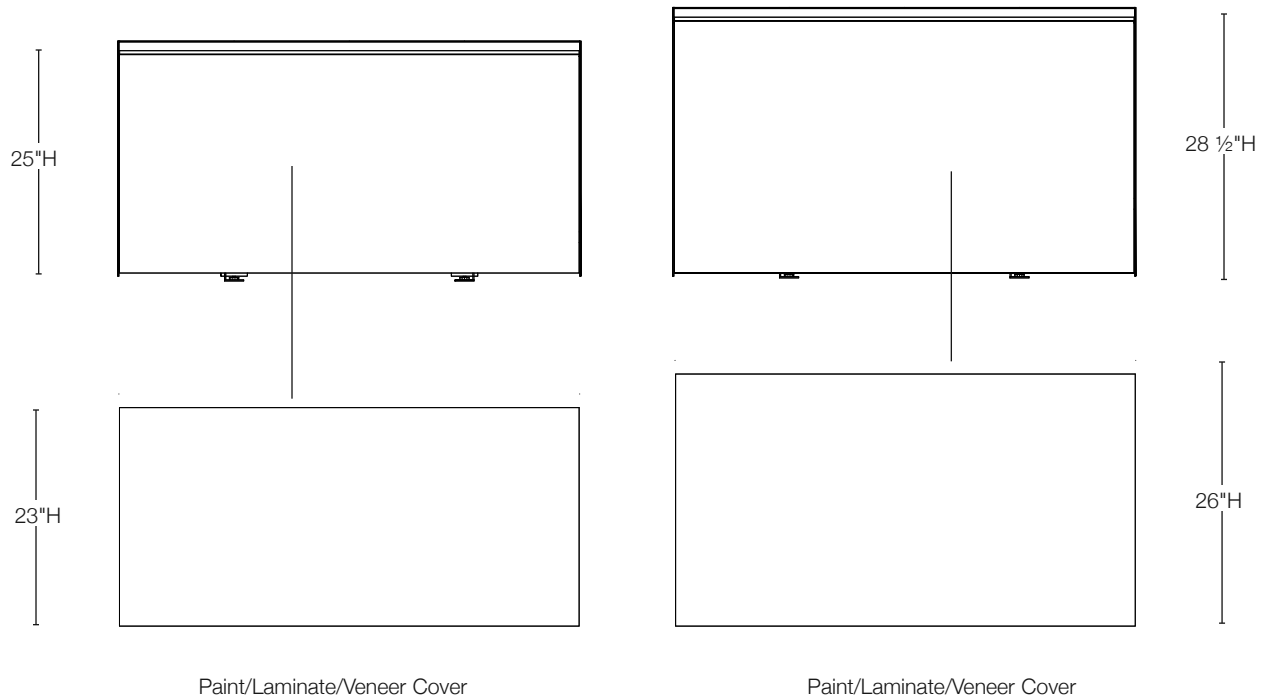
### Construction

Painted, laminate and veneer full covers have a ½" thick wood core with top and bottom aluminum extrusions to engage to the stud clips.

### Specification Options

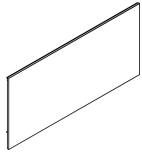
Painted full covers are available in any Knoll core paint finish. Laminate full covers are available in any Knoll core laminate finish. Veneer full covers are available in any Knoll core Techwood or natural veneer finish. The grain direction is vertical for veneer covers. Veneer and patterned laminate upper covers are only available in widths up to 48".

Elevation of Full Covers for 25" and 28 ½" High Fence

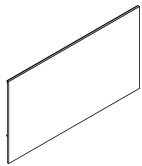


Full Covers  
*Painted*  
 For 25" or 28" High Fence

description	w	d	h	pattern no.	list
Full Painted Covers for 25" High Fence	24"	3/4"	23"	<b>YFC2324NP</b>	\$190.
	36"	3/4"	23"	<b>YFC2336NP</b>	203.
	48"	3/4"	23"	<b>YFC2348NP</b>	216.
	60"	3/4"	23"	<b>YFC2360NP</b>	262.
	72"	3/4"	23"	<b>YFC2372NP</b>	288.



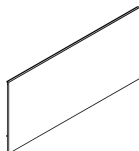
Full Painted Covers for 28" High Fence	24"	3/4"	26"	<b>YFC2624NP</b>	190.
	36"	3/4"	26"	<b>YFC2636NP</b>	203.
	48"	3/4"	26"	<b>YFC2648NP</b>	216.
	60"	3/4"	26"	<b>YFC2660NP</b>	262.
	72"	3/4"	26"	<b>YFC2672NP</b>	288.



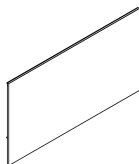
Ordering Information	Order Code	Included With	Options
<b>Painted Covers</b>	<b>Painted Covers</b>	<b>Painted Covers</b>	<b>Painted Covers</b>
1. Pattern Number	<i>Example:</i> <b>YFC2636NP, 118T</b>		
2. Paint Finish	<b>YFC2</b> Fence Cover		
	<b>26</b> Height		
	<b>36</b> Width		
	<b>N</b> No outlets		
	<b>P</b> Painted		
	<b>118T</b> Bright White Paint		

Full Covers  
*Laminate*  
*For 25" or 28" High Fence*

description	w	d	h	pattern no.	list
Full Laminate Covers for 25" High Fence	24"	3/4"	23"	<b>YFC2324NL</b>	\$273.
	36"	3/4"	23"	<b>YFC2336NL</b>	301.
	48"	3/4"	23"	<b>YFC2348NL</b>	339.
	60"	3/4"	23"	<b>YFC2360NL</b>	432.
	72"	3/4"	23"	<b>YFC2372NL</b>	472.



Full Laminate Covers for 28" High Fence	24"	3/4"	26"	<b>YFC2624NL</b>	273.
	36"	3/4"	26"	<b>YFC2636NL</b>	301.
	48"	3/4"	26"	<b>YFC2648NL</b>	339.
	60"	3/4"	26"	<b>YFC2660NL</b>	432.
	72"	3/4"	26"	<b>YFC2672NL</b>	525.



**Ordering Information**

**Laminate Covers**

1. Pattern Number
2. Laminate Finish

**Order Code**

**Laminate Covers**

*Example:* **YFC2636NL, 118**

**YFC2** Fence Cover

**26** Height

**36** Width

**N** No outlets

**L** Laminate

**118** Bright White Laminate

**Included With**

**Laminate Covers**

**Options**

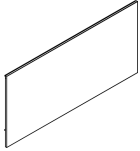
**Laminate Covers**

# Full Covers

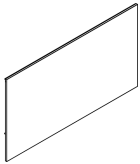
## Veneer

### For 25" or 28" High Fence

description	w	d	h	pattern no.	V1	V2	V3
Full Veneer Covers for 25" High Fence	24"	3/4"	23"	<b>YFC2324NV</b>	\$639.	\$736.	\$995.
	36"	3/4"	23"	<b>YFC2336NV</b>	746.	861.	1,162.
	48"	3/4"	23"	<b>YFC2348NV</b>	828.	954.	1,288.



Full Veneer Covers for 28" High Fence	24"	3/4"	26"	<b>YFC2624NV</b>	651.	747.	1,036.
	36"	3/4"	26"	<b>YFC2636NV</b>	767.	881.	1,190.
	48"	3/4"	26"	<b>YFC2648NV</b>	849.	974.	1,317.



#### Ordering Information

##### Veneer Covers

1. Pattern Number
2. Veneer Finish

#### Order Code

##### Veneer Covers

*Example:* **YFC2636NV, Y316**

**YFC2** Fence Cover

**26** Height

**36** Width

**N** No outlets

**V** Veneer

**Y316** Maple

#### Included With

Veneer Covers

#### Options

Veneer Covers

### Antenna Screens

Antenna screens provide partial enclosure for workspaces to a horizon of 42"—seated visual access—or 49"—seated visual privacy, in four applications: desk mounted, floorstanding desk mounted, big table-mounted, and fence-mounted. In each application screens are available in a variety of surface finishes for aesthetics, performance and price point.

### Desk Screens

Desk mounted screens provide enclosure both above and below the top, starting from either 10 1/2" or 22 1/2" above the floor. The 10 1/2" starting point aligns with the bottom of suspended files or cabinets. The 22 1/2" starting point aligns with the bottom of the horizontal element of a standard desk leg. Desk mounted screens attach directly to the back or end of a desk top with two brackets that also define a 1 1/4" offset for wire management and clamp-on accessories. Brackets are located 3 1/2" from each end of screens 24"-30" wide and 12" from each

end of screens 36" and wider. Brackets will not interfere with standard leg cradles or rails but screens cannot be mounted at the end of desks with table desk end legs. Desk mounted screens cannot be mounted directly behind full depth floorstanding pedestals.

Desk mounted screens are not compatible with single sided big tables.

Screens are available in widths corresponding to standard top depths 24", 27", 30" and desk widths from 36"-72" wide in 6" increments. In most applications screens can be mounted to matching width or wider tops. In back-to-back desk configurations screens cannot overlap back to back desk end legs.

### Two types of screens are available:

- Frameless laminate, marker surface or veneer screens are 3/4" thick with matching edge and crisp, eased corners.
- Fabric screens are 1 1/4" thick, with painted perimeter frame capturing a wood structural core and tackable, fabric wrapped inserts on each face.

### Construction

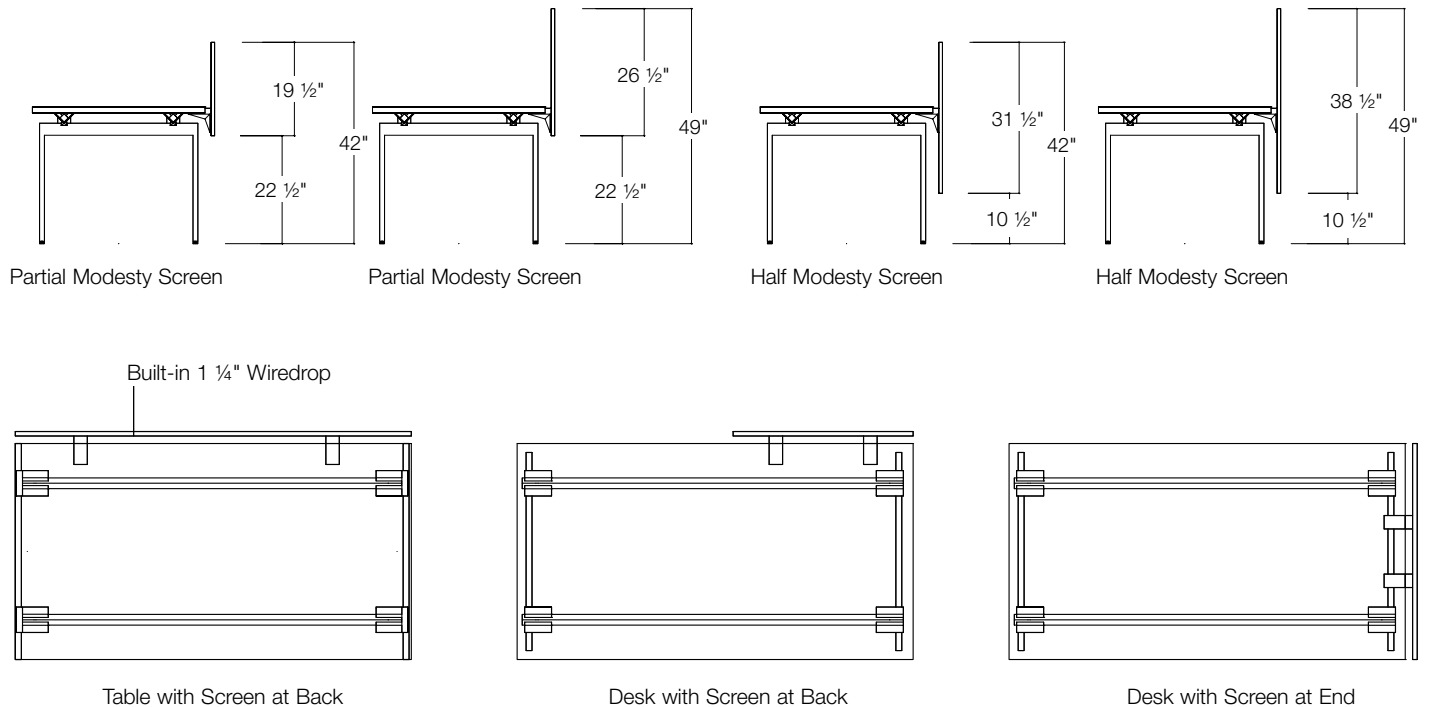
Frameless screens are 3/4" MDF construction, with threaded inserts at bracket locations.

Fabric screens have a 1/2" MDF core, with 3/8" thick tackable PET material inserts on each side wrapped in fabric, and aluminum perimeter frame with seamless corners. Fabric screens have threaded metal inserts at bracket locations.

### Specification Options

For frameless screens specify surface type: laminate (L) or veneer (V); finish, any core laminate, patterned or woodgrain laminate up to 60"W, dry-erase marker surface (M), or any core Techwood or natural veneer. Also specify bracket color, in any core paint finish.

For fabric screens specify fabric, perimeter frame and brackets painted finishes.

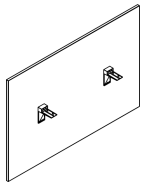
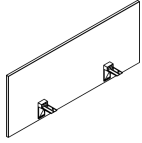


# Desk Screens

## Fabric

### For 42" High Horizon

description	w	d	h	pattern no.	10	20	30	40	45
Fabric Screens with Partial Modesty For Desks, 42" High Horizon	24"	1 1/4"	20"	<b>YPSB2024F</b>	\$677.	\$711.	\$746.	\$780.	\$812.
	27"	1 1/4"	20"	<b>YPSB2027F</b>	697.	731.	764.	800.	835.
	30"	1 1/4"	20"	<b>YPSB2030F</b>	715.	752.	788.	824.	859.
	36"	1 1/4"	20"	<b>YPSB2036F</b>	797.	836.	877.	916.	955.
	42"	1 1/4"	20"	<b>YPSB2042F</b>	828.	869.	909.	952.	994.
	48"	1 1/4"	20"	<b>YPSB2048F</b>	852.	896.	939.	980.	1,023.
	54"	1 1/4"	20"	<b>YPSB2054F</b>	916.	961.	1,006.	1,054.	1,098.
	60"	1 1/4"	20"	<b>YPSB2060F</b>	971.	1,021.	1,070.	1,119.	1,166.
	66"	1 1/4"	20"	<b>YPSB2066FRR</b>	1,016.	1,068.	1,119.	1,168.	1,218.
	72"	1 1/4"	20"	<b>YPSB2072FRR</b>	1,047.	1,099.	1,154.	1,204.	1,258.
Fabric Screens with Half Modesty For Desks, 42" High Horizon	24"	1 1/4"	32"	<b>YPSB3224F</b>	786.	824.	863.	902.	942.
	27"	1 1/4"	32"	<b>YPSB3227F</b>	840.	883.	924.	967.	1,007.
	30"	1 1/4"	32"	<b>YPSB3230F</b>	866.	908.	952.	996.	1,039.
	36"	1 1/4"	32"	<b>YPSB3236F</b>	978.	1,027.	1,076.	1,125.	1,172.
	42"	1 1/4"	32"	<b>YPSB3242F</b>	1,035.	1,086.	1,137.	1,191.	1,241.
	48"	1 1/4"	32"	<b>YPSB3248F</b>	1,041.	1,093.	1,146.	1,199.	1,249.
	54"	1 1/4"	32"	<b>YPSB3254F</b>	1,128.	1,185.	1,241.	1,297.	1,355.
	60"	1 1/4"	32"	<b>YPSB3260F</b>	1,222.	1,285.	1,345.	1,407.	1,467.
	66"	1 1/4"	32"	<b>YPSB3266FRR</b>	1,391.	1,463.	1,532.	1,601.	1,670.
	72"	1 1/4"	32"	<b>YPSB3272FRR</b>	1,467.	1,541.	1,614.	1,688.	1,759.



#### Ordering Information

##### Desk Screens

1. Pattern Number
2. Inside Fabric Finish
3. Outside Fabric Finish
4. Frame Paint Finish
5. Bracket Paint Finish

#### Order Code

##### Desk Screens

*Example:* **YPSB2048F, W1077, 118T, 118T**

<b>YPSB</b>	Desk Screen
<b>20</b>	Height
<b>48</b>	Width
<b>F</b>	Fabric
<b>W1077</b>	Elements
<b>W1077</b>	Elements
<b>118T</b>	Bright White Paint
<b>118T</b>	Bright White Paint

#### Included With

**Desk Screens**  
Brackets  
Hardware

#### Options

##### Desk Screens

The price of screens specified with a combination of fabrics is the higher of the two fabric grades.

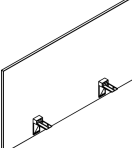
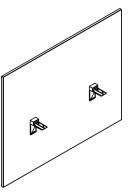
(RR) Fabric is applied railroaded



# Desk Screens

## Fabric

### For 49" High Horizon

description	w	d	h	pattern no.	10	20	30	40	45
Fabric Screens with Partial Modesty For Desks, 49" High Horizon 	24"	1 1/4"	26"	<b>YPSB2624F</b>	\$740.	\$777.	\$813.	\$851.	\$887.
	27"	1 1/4"	26"	<b>YPSB2627F</b>	771.	808.	849.	886.	925.
	30"	1 1/4"	26"	<b>YPSB2630F</b>	791.	831.	869.	908.	949.
	36"	1 1/4"	26"	<b>YPSB2636F</b>	884.	927.	972.	1,017.	1,062.
	42"	1 1/4"	26"	<b>YPSB2642F</b>	927.	973.	1,021.	1,068.	1,115.
	48"	1 1/4"	26"	<b>YPSB2648F</b>	997.	1,047.	1,096.	1,147.	1,198.
	54"	1 1/4"	26"	<b>YPSB2654F</b>	1,067.	1,121.	1,171.	1,225.	1,281.
	60"	1 1/4"	26"	<b>YPSB2660F</b>	1,112.	1,165.	1,221.	1,278.	1,333.
	66"	1 1/4"	26"	<b>YPSB2666FRR</b>	1,161.	1,217.	1,278.	1,335.	1,391.
	72"	1 1/4"	26"	<b>YPSB2672FRR</b>	1,211.	1,270.	1,333.	1,391.	1,452.
Fabric Screens with Half Modesty For Desks, 49" High Horizon 	24"	1 1/4"	38"	<b>YPSB3824F</b>	847.	889.	932.	972.	1,016.
	27"	1 1/4"	38"	<b>YPSB3827F</b>	908.	954.	1,000.	1,046.	1,091.
	30"	1 1/4"	38"	<b>YPSB3830F</b>	934.	980.	1,028.	1,074.	1,122.
	36"	1 1/4"	38"	<b>YPSB3836F</b>	1,067.	1,121.	1,171.	1,225.	1,281.
	42"	1 1/4"	38"	<b>YPSB3842F</b>	1,128.	1,185.	1,241.	1,297.	1,355.
	48"	1 1/4"	38"	<b>YPSB3848F</b>	1,216.	1,280.	1,338.	1,398.	1,461.
	54"	1 1/4"	38"	<b>YPSB3854F</b>	1,281.	1,343.	1,408.	1,470.	1,535.
	60"	1 1/4"	38"	<b>YPSB3860F</b>	1,347.	1,417.	1,484.	1,551.	1,617.
	66"	1 1/4"	38"	<b>YPSB3866FRR</b>	1,510.	1,586.	1,663.	1,739.	1,813.
	72"	1 1/4"	38"	<b>YPSB3872FRR</b>	1,593.	1,674.	1,752.	1,832.	1,913.

#### Ordering Information

##### Desk Screens

1. Pattern Number
2. Inside Fabric Finish
3. Outside Fabric Finish
4. Frame Paint Finish
5. Bracket Paint Finish

#### Order Code

##### Desk Screens

Example: **YPSB2648F, W1077, 118T, 118T**

<b>YPSB</b>	Desk Screen
<b>26</b>	Height
<b>48</b>	Width
<b>F</b>	Fabric
<b>W1077</b>	Elements
<b>W1077</b>	Elements
<b>118T</b>	Bright White Paint
<b>118T</b>	Bright White Paint

#### Included With

**Desk Screens**  
Brackets  
Hardware

#### Options

##### Desk Screens

The price of screens specified with a combination of fabrics is the higher of the two fabric grades.

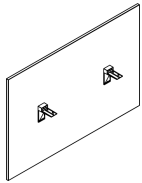
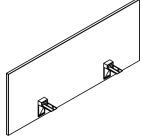
(RR) Fabric is applied railroaded

# Desk Screens

## Laminate, Markerboard or Veneer

### For 42" High Horizon

description	w	d	h	pattern no.	Laminate (L)	Markerboard (LM)	V1 (V)	V2 (V)	V3 (V)
Screens with Partial Modesty For Desks, 42" High Horizon	24"	3/4"	20"	<b>YPSB2024( )</b>	\$277.	\$479.	\$532.	\$612.	\$795.
	27"	3/4"	20"	<b>YPSB2027( )</b>	282.	484.	541.	624.	809.
	30"	3/4"	20"	<b>YPSB2030( )</b>	284.	486.	553.	636.	830.
	36"	3/4"	20"	<b>YPSB2036( )</b>	320.	615.	579.	665.	866.
	42"	3/4"	20"	<b>YPSB2042( )</b>	326.	620.	622.	714.	927.
	48"	3/4"	20"	<b>YPSB2048( )</b>	421.	993.	651.	748.	969.
	54"	3/4"	20"	<b>YPSB2054( )</b>	429.	999.	673.	775.	1,006.
	60"	3/4"	20"	<b>YPSB2060( )</b>	434.	1,005.	729.	837.	1,090.
	66"	3/4"	20"	<b>YPSB2066( )</b>	443.	1,013.	760.	876.	1,136.
	72"	3/4"	20"	<b>YPSB2072( )</b>	449.	1,020.	787.	903.	1,171.
Screens with Half Modesty For Desks, 42" High Horizon	24"	3/4"	32"	<b>YPSB3224( )</b>	311.	735.	618.	708.	923.
	27"	3/4"	32"	<b>YPSB3227( )</b>	318.	740.	642.	741.	964.
	30"	3/4"	32"	<b>YPSB3230( )</b>	361.	746.	664.	762.	993.
	36"	3/4"	32"	<b>YPSB3236( )</b>	424.	996.	702.	806.	1,050.
	42"	3/4"	32"	<b>YPSB3242( )</b>	434.	1,005.	770.	885.	1,153.
	48"	3/4"	32"	<b>YPSB3248( )</b>	459.	1,744.	806.	927.	1,208.
	54"	3/4"	32"	<b>YPSB3254( )</b>	467.	1,752.	852.	980.	1,276.
	60"	3/4"	32"	<b>YPSB3260( )</b>	636.	1,758.	942.	1,081.	1,407.
	66"	3/4"	32"	<b>YPSB3266( )</b>	651.	1,769.	988.	1,133.	1,473.
	72"	3/4"	32"	<b>YPSB3272( )</b>	659.	1,782.	1,023.	1,174.	1,531.



#### Ordering Information

- Desk Screens**
1. Pattern Number
  2. Surface Finish
  3. Bracket Paint Finish

#### Order Code

**Desk Screens**

*Example:* **YPSB2048V, 006B, 118T**

---

**YPSB** Desk Screen

---

**20** Height

---

**48** Width

---

**V** Veneer

---

**006B** Maple

---

**118T** Bright White Paint

---

#### Included With

**Desk Screens**  
Brackets  
Hardware

#### Options

**Desk Screens**

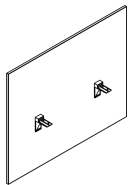
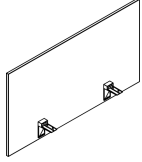
**Finish Options:**  
(L)= Laminate  
(LM)= Markerboard  
(V)= Veneer

# Desk Screens

## Laminate, Markerboard or Veneer

### For 49" High Horizon

description	w	d	h	pattern no.	Laminate (L)	Markerboard (LM)	V1 (V)	V2 (V)	V3 (V)
Screens with Partial Modesty For Desks, 49" High Horizon	24"	3/4"	26"	<b>YPSB2624( )</b>	\$302.	\$727.	\$589.	\$678.	\$882.
	27"	3/4"	26"	<b>YPSB2627( )</b>	307.	733.	604.	696.	904.
	30"	3/4"	26"	<b>YPSB2630( )</b>	313.	736.	629.	725.	943.
	36"	3/4"	26"	<b>YPSB2636( )</b>	321.	746.	661.	759.	990.
	42"	3/4"	26"	<b>YPSB2642( )</b>	367.	754.	717.	824.	1,070.
	48"	3/4"	26"	<b>YPSB2648( )</b>	403.	1,730.	755.	869.	1,129.
	54"	3/4"	26"	<b>YPSB2654( )</b>	410.	1,739.	788.	903.	1,173.
	60"	3/4"	26"	<b>YPSB2660( )</b>	432.	1,745.	876.	1,006.	1,307.
	66"	3/4"	26"	<b>YPSB2666( )</b>	442.	1,754.	906.	1,042.	1,356.
	72"	3/4"	26"	<b>YPSB2672( )</b>	567.	1,759.	939.	1,079.	1,402.
Screens with Half Modesty For Desks, 49" High Horizon	24"	3/4"	38"	<b>YPSB3824( )</b>	360.	746.	659.	757.	986.
	27"	3/4"	38"	<b>YPSB3827( )</b>	365.	751.	681.	786.	1,018.
	30"	3/4"	38"	<b>YPSB3830( )</b>	369.	756.	703.	807.	1,051.
	36"	3/4"	38"	<b>YPSB3836( )</b>	437.	1,006.	757.	870.	1,132.
	42"	3/4"	38"	<b>YPSB3842( )</b>	452.	1,020.	833.	957.	1,245.
	48"	3/4"	38"	<b>YPSB3848( )</b>	560.	1,755.	878.	1,009.	1,312.
	54"	3/4"	38"	<b>YPSB3854( )</b>	574.	1,767.	931.	1,070.	1,390.
	60"	3/4"	38"	<b>YPSB3860( )</b>	659.	1,782.	1,050.	1,207.	1,569.
	66"	3/4"	38"	<b>YPSB3866( )</b>	670.	1,794.	1,101.	1,267.	1,648.
	72"	3/4"	38"	<b>YPSB3872( )</b>	682.	1,805.	1,149.	1,320.	1,714.



#### Ordering Information

##### Desk Screens

1. Pattern Number
2. Surface Finish
3. Bracket Paint Finish

#### Order Code

##### Desk Screens

*Example:* **YPSB2648V, 006B, 118T**

**YPSB** Desk Screen

**26** Height

**48** Width

**V** Veneer

**006B** Maple

**118T** Bright White Paint

#### Included With

##### Desk Screens

- Brackets
- Hardware

#### Options

##### Desk Screens

##### Finish Options:

- (L)= Laminate
- (LM)= Markerboard
- (V)= Veneer

# Big Table Screens

## Planning Guidelines and Specifications

### Big Table Screens

Big table center screens provide enclosure above the center of a dual or single sided big table to a horizon of 42" or 49", which aligns with upmounted storage cabinets. Big table mounted screens have wedge shape brackets to friction-fit into the center beam at any point.

Screens are available from 24"-72" wide in 6" increments.

#### Two types of screens are available:

- Frameless laminate, marker surface, veneer or glass screens are 1/2" thick with matching edge and crisp, eased corners. Base fits flush with top of center beam.
- Fabric screens are 1 1/4" thick, with painted perimeter frame capturing a wood structural core and tackable, fabric wrapped inserts on each face.

### Construction

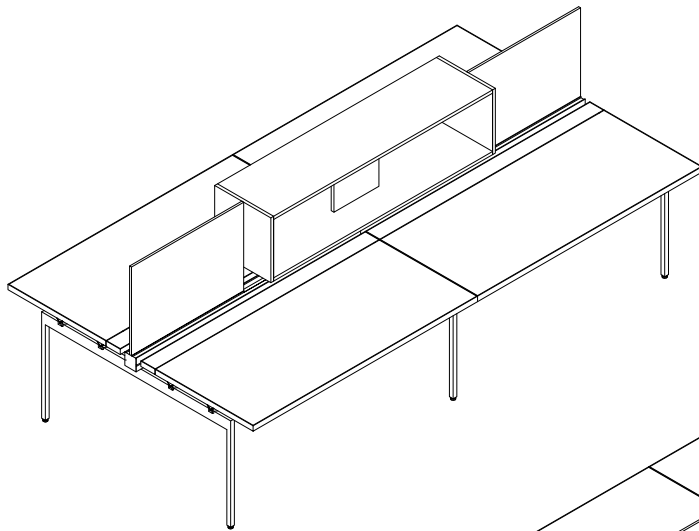
Frameless laminate or veneer screens are 1/2" MDF construction. Frameless glass screens are 1/2" tempered glass with polished edges.

Fabric screens have a 1/2" MDF core, with 3/8" thick tackable PET material inserts on each side wrapped in fabric, and aluminum perimeter frame with seamless corners.

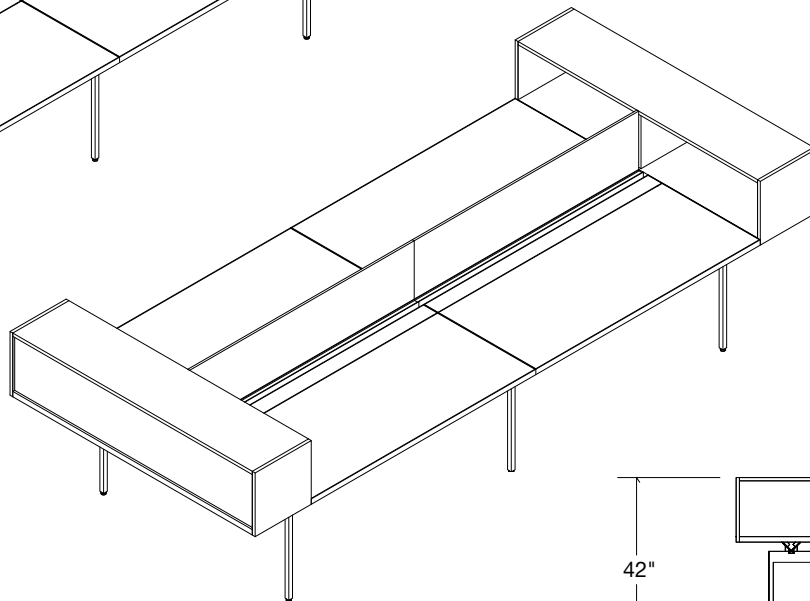
### Specification Options

For frameless screens specify surface type: laminate (L) or veneer (V) or glass (G); finish, any core laminate, patterned or woodgrain laminate up to 60"W, dry-erase marker surface (M), any core Techwood or natural veneer, or core glass finishes. Also specify base color, in any core paint finish.

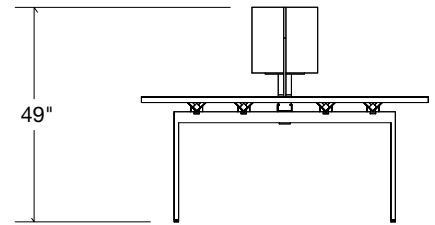
For fabric screens specify fabric, perimeter frame and brackets painted finishes.



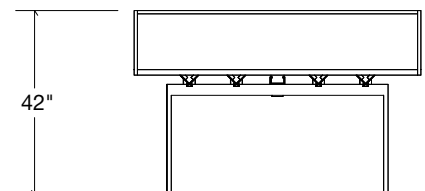
Big Table with 49"H Screens and Stanchion Mounted Cabinets



Big Table with 42"H Screens and Above Big Table Extension Cabinets



Big Table with 49"H Screens  
End Elevation

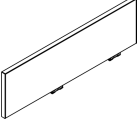


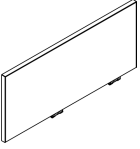
Big Table with 42"H Screens  
End Elevation

# Big Table Screens

## Fabric

### For 42" or 49" High Horizon

description	w	d	h	pattern no.	10	20	30	40	45
Fabric Screens For Big Table Center Beam, 42" High Horizon 	24"	1 1/4"	14"	<b>YPSC1424F</b>	\$589.	\$620.	\$651.	\$678.	\$706.
	30"	1 1/4"	14"	<b>YPSC1430F</b>	616.	646.	676.	706.	737.
	36"	1 1/4"	14"	<b>YPSC1436F</b>	665.	699.	731.	763.	798.
	42"	1 1/4"	14"	<b>YPSC1442F</b>	690.	725.	758.	795.	828.
	48"	1 1/4"	14"	<b>YPSC1448F</b>	734.	770.	806.	843.	881.
	54"	1 1/4"	14"	<b>YPSC1454F</b>	758.	797.	835.	872.	909.
	60"	1 1/4"	14"	<b>YPSC1460F</b>	777.	817.	855.	895.	933.
	66"	1 1/4"	14"	<b>YPSC1466FRR</b>	823.	863.	904.	946.	988.
	72"	1 1/4"	14"	<b>YPSC1472FRR</b>	866.	908.	952.	996.	1,039.

Fabric Screens For Big Table Center Beam, 49" High Horizon 	24"	1 1/4"	21"	<b>YPSC2124F</b>	654.	684.	718.	751.	783.
	30"	1 1/4"	21"	<b>YPSC2130F</b>	683.	718.	753.	788.	821.
	36"	1 1/4"	21"	<b>YPSC2136F</b>	777.	817.	855.	895.	933.
	42"	1 1/4"	21"	<b>YPSC2142F</b>	816.	856.	896.	939.	978.
	48"	1 1/4"	21"	<b>YPSC2148F</b>	840.	883.	924.	967.	1,007.
	54"	1 1/4"	21"	<b>YPSC2154F</b>	878.	922.	966.	1,009.	1,054.
	60"	1 1/4"	21"	<b>YPSC2160F</b>	916.	961.	1,006.	1,054.	1,098.
	66"	1 1/4"	21"	<b>YPSC2166FRR</b>	992.	1,041.	1,090.	1,138.	1,190.
	72"	1 1/4"	21"	<b>YPSC2172FRR</b>	1,041.	1,093.	1,146.	1,199.	1,249.

#### Ordering Information

##### Big Table Screens

1. Pattern Number
2. Fabric Finish
3. Frame Paint Finish

#### Order Code

##### Big Table Screens

*Example:* **YPSC1448F, W1077, 118T**

<b>YPSC</b>	Big Table Center Screen
<b>14</b>	Height
<b>48</b>	Width
<b>F</b>	Fabric
<b>W1077</b>	Element
<b>118T</b>	Bright White Paint

#### Included With

##### Big Table Screens

Brackets  
Hardware

#### Options

##### Big Table Screens


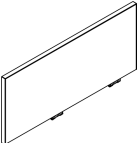
The price of screens specified with a combination of fabrics is the higher of the two fabric grades.

(RR) Fabric is applied railroaded.

# Big Table Screens

## Laminate, Markerboard, Veneer or Glass

### For 42" or 49" High Horizon

description	w	d	h	pattern no.	Laminate (L)	Markerboard (LM)	V1 (V)	V2 (V)	V3 (V)	Clear Glass (GTEMP)	Powder Glass (GGL13)	Grey Tinted Glass (GGL35)
Screens For Big Table Center Beam, 42" High Horizon 	24"	1/2"	14"	<b>YPSC1424()</b>	\$213.	\$294.	\$549.	\$658.	\$855.	\$321.	\$489.	\$617.
	30"	1/2"	14"	<b>YPSC1430()</b>	233.	313.	590.	715.	959.	385.	594.	756.
	36"	1/2"	14"	<b>YPSC1436()</b>	260.	400.	612.	750.	1,039.	435.	691.	884.
	42"	1/2"	14"	<b>YPSC1442()</b>	289.	415.	654.	804.	1,145.	510.	806.	1,035.
	48"	1/2"	14"	<b>YPSC1448()</b>	367.	676.	672.	841.	1,225.	566.	903.	1,163.
	54"	1/2"	14"	<b>YPSC1454()</b>	387.	692.	721.	904.	1,337.	627.	1,007.	1,309.
	60"	1/2"	14"	<b>YPSC1460()</b>	404.	707.	766.	968.	1,447.	688.	1,114.	1,438.
	66"	1/2"	14"	<b>YPSC1466()</b>	423.	721.	801.	1,017.	1,547.	758.	1,229.	1,588.
	72"	1/2"	14"	<b>YPSC1472()</b>	439.	730.	828.	1,058.	1,628.	816.	1,324.	1,711.
Screens For Big Table Center Beam, 49" High Horizon 	24"	1/2"	21"	<b>YPSC2124()</b>	241.	379.	589.	725.	1,005.	387.	620.	840.
	30"	1/2"	21"	<b>YPSC2130()</b>	260.	400.	627.	786.	1,130.	464.	755.	1,028.
	36"	1/2"	21"	<b>YPSC2136()</b>	297.	528.	656.	835.	1,249.	532.	881.	1,210.
	42"	1/2"	21"	<b>YPSC2142()</b>	327.	543.	721.	922.	1,402.	618.	1,025.	1,408.
	48"	1/2"	21"	<b>YPSC2148()</b>	371.	927.	749.	971.	1,524.	683.	1,150.	1,588.
	54"	1/2"	21"	<b>YPSC2154()</b>	422.	946.	794.	1,037.	1,656.	759.	1,284.	1,784.
	60"	1/2"	21"	<b>YPSC2160()</b>	471.	961.	837.	1,106.	1,791.	835.	1,418.	1,966.
	66"	1/2"	21"	<b>YPSC2166()</b>	493.	975.	887.	1,179.	1,934.	920.	1,566.	2,175.
	72"	1/2"	21"	<b>YPSC2172()</b>	510.	989.	927.	1,241.	2,053.	989.	1,687.	2,343.

#### Ordering Information

#### Big Table Screens

1. Pattern Number
2. Surface Finish
3. Bracket Paint Finish

#### Order Code

#### Big Table Screens

*Example:* **YPSC1448V, 006B, 118T**

<b>YPSC</b>	Big Table Center Screen
<b>14</b>	Height
<b>48</b>	Width
<b>V</b>	Veneer
<b>006B</b>	Maple
<b>118T</b>	Bright White Paint

#### Included With

#### Big Table Screens

Brackets  
Hardware

#### Options

#### Big Table Screens

#### Finish Options:

- (L) = Laminate
- (LM) = Markerboard
- (V) = Veneer
- (GTEMP) = Clear Glass
- (GGL13) = Powder Glass
- (GGL35) = Grey Tinted Glass

# Intermediate Screens

## Planning and Specification Guidelines

Intermediate screens are designed to plan anywhere along Antenna big tables or linked desk configurations to delineate individual workspaces.

Intermediate screens include a painted aluminum desktop mounting bracket that supports framed, tackable fabric or frameless glass, veneer, laminate or marker surface to a horizon of 42" or 49".

Intermediate screen brackets do not permit screen mount within 1 1/2" of end of desktop, or in combination with end panels.

Intermediate screens are available for two planning applications: full depth and hinged access depth.

Full depth intermediate screens correspond to Antenna top depths, 18", 24", 27", 30", 36", and attach with a clamp bracket around the front and back edges of the top.

Intermediate screens for hinged access tops, 16", 19", 22", are 8" less deep than hinged tops to enable full use of hinge feature. They attach with a clamp bracket around the front edge of the top and a non-skid pad on the top.

### Construction

Fabric screens are 1 1/4" thick, with perimeter extruded aluminum frame, extruded aluminum base frame, cast aluminum clamp brackets and cast aluminum bayonets. Tackable fabric surfaces are 3/8" thick PET core, on either side of 1/2" thick particle board.

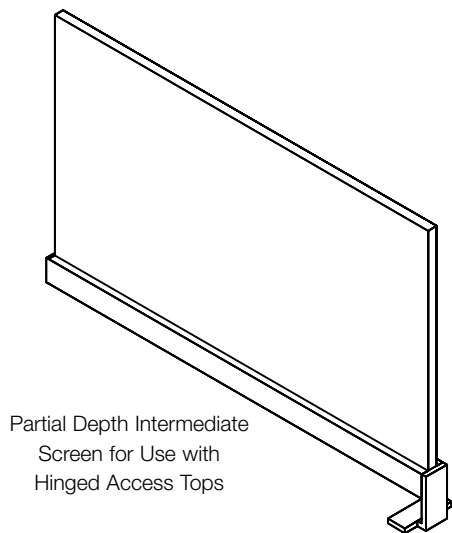
Laminate, veneer and glass screens are 1/2" thick, frameless, with a 1 1/4" high x 1 1/4" wide extruded aluminum base frame and cast aluminum clamp brackets.

### Specification Options

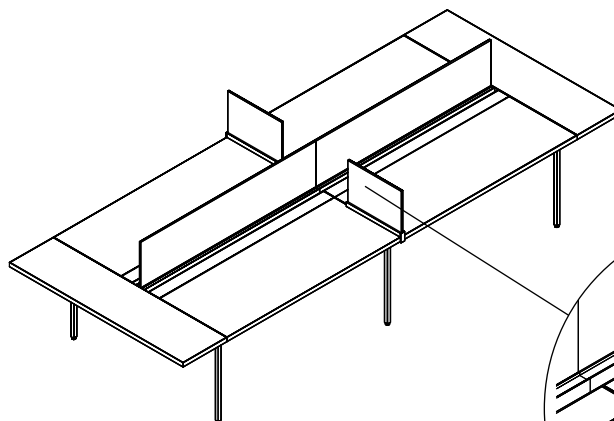
For fabric screens, specify with an Antenna approved textile. Specify perimeter frame in any Knoll Core paint finish.

For frameless screens, specify surface type: laminate (L) or veneer (V) or glass (G) finish in any Knoll Core laminate, patterned or woodgrain laminate, marker surface (M), any Core Techwood or natural veneer, or Core glass finishes.

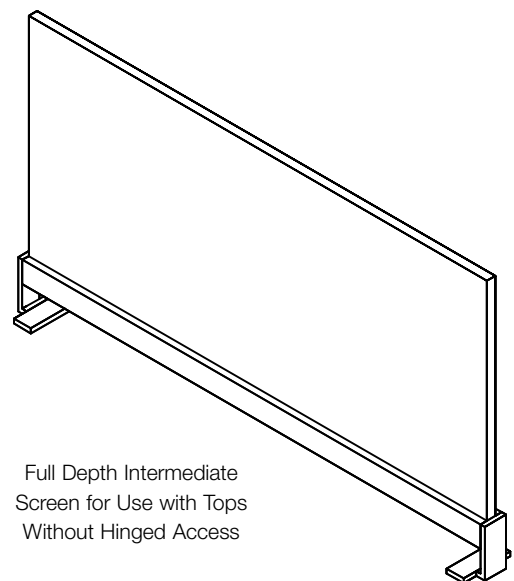
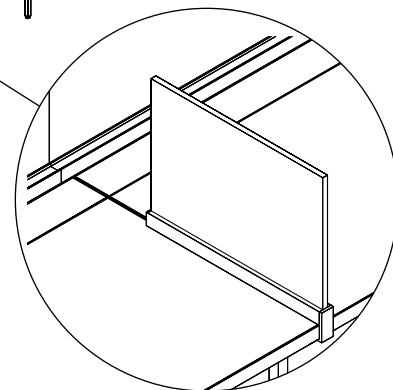
Specify bracket, in any Knoll Core paint finish.



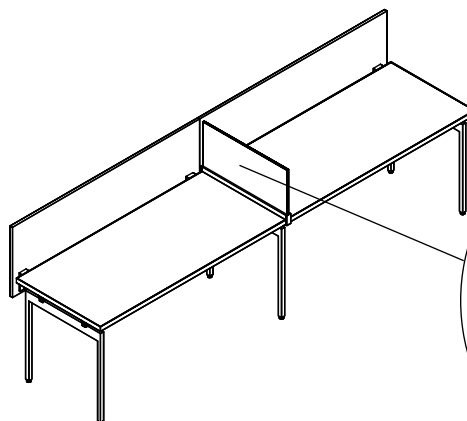
Partial Depth Intermediate Screen for Use with Hinged Access Tops



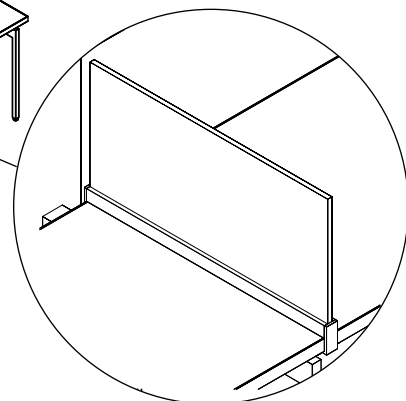
Big Table with Hinged Access Tops and Partial Depth Intermediate Screens



Full Depth Intermediate Screen for Use with Tops Without Hinged Access




Linked Desks Full Depth Intermediate Screens

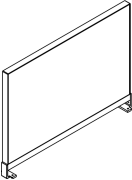


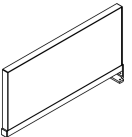
# Intermediate Screens

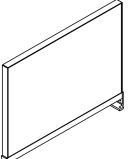
## Fabric

### For 42" or 49" High Horizon

description	type	w	d	h	pattern no.	10	20	30	40	45
 Full Depth Intermediate Screen, 42" High Horizon	For 18"D Tops w/o Hinged Access	1 1/4"	18"	14"	<b>YPSI1418F</b>	\$628.	\$660.	\$691.	\$723.	\$754.
	For 24"D Tops w/o Hinged Access	1 1/4"	24"	14"	<b>YPSI1424F</b>	659.	691.	725.	757.	791.
	For 27"D Tops w/o Hinged Access	1 1/4"	27"	14"	<b>YPSI1427F</b>	680.	714.	749.	782.	816.
	For 30"D Tops w/o Hinged Access	1 1/4"	30"	14"	<b>YPSI1430F</b>	695.	730.	762.	799.	833.
	For 36"D Tops w/o Hinged Access	1 1/4"	36"	14"	<b>YPSI1436F</b>	735.	772.	807.	847.	883.

 Full Depth Intermediate Screen, 49" High Horizon	For 18"D Tops w/o Hinged Access	1 1/4"	19"	21"	<b>YPSI2118F</b>	651.	682.	714.	748.	780.
	For 24"D Tops w/o Hinged Access	1 1/4"	24"	21"	<b>YPSI2124F</b>	690.	725.	759.	795.	828.
	For 27"D Tops w/o Hinged Access	1 1/4"	27"	21"	<b>YPSI2127F</b>	704.	740.	775.	809.	847.
	For 30"D Tops w/o Hinged Access	1 1/4"	30"	21"	<b>YPSI2130F</b>	724.	759.	796.	832.	868.
	For 36"D Tops w/o Hinged Access	1 1/4"	36"	21"	<b>YPSI2136F</b>	807.	849.	889.	931.	970.

 Partial Depth Intermediate Screen, 42" High Horizon	For 24"D Tops with Hinged Access	1 1/4"	16"	14"	<b>YPSI1416F</b>	617.	648.	678.	707.	738.
	For 27"D Tops with Hinged Access	1 1/4"	19"	14"	<b>YPSI1419F</b>	636.	670.	701.	734.	764.
	For 30"D Tops with Hinged Access	1 1/4"	22"	14"	<b>YPSI1422F</b>	651.	682.	714.	748.	780.
	For 36"D Tops with Hinged Access	1 1/4"	28"	14"	<b>YPSI1428F</b>	676.	708.	744.	776.	809.

 Partial Depth Intermediate Screen, 49" High Horizon	For 24"D Tops with Hinged Access	1 1/4"	16"	21"	<b>YPSI2116F</b>	633.	666.	698.	730.	760.
	For 27"D Tops with Hinged Access	1 1/4"	19"	21"	<b>YPSI2119F</b>	652.	683.	715.	749.	781.
	For 30"D Tops with Hinged Access	1 1/4"	22"	21"	<b>YPSI2122F</b>	678.	712.	748.	781.	813.
	For 36"D Tops with Hinged Access	1 1/4"	28"	21"	<b>YPSI2128F</b>	702.	737.	773.	807.	842.

#### Ordering Information

- Intermediate Screens**
1. Pattern Number
  2. Fabric Finish
  3. Bracket Paint Finish

#### Order Code

**Intermediate Screens**

*Example:* **YPSI2124F, W1077**

<b>YPS</b>	Screen
<b>I</b>	Intermediate
<b>21</b>	Height
<b>24</b>	Depth
<b>F</b>	Fabric
<b>W1077</b>	Element

#### Included With

**Intermediate Screens**  
 Brackets  
 Hardware

#### Options

**Intermediate Screens**


The price of screens specified with a combination of fabrics is the higher of the two fabric grades.

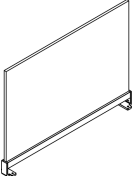


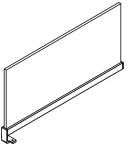
# Intermediate Screens

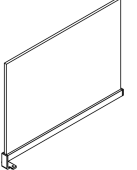
## *Laminate, Markerboard, Veneer or Glass*

### *For 42" or 49" High Horizon*

description	type	w	d	h	pattern no.	Laminate	Marker-	V1	V2	V3	Clear	Powder	Grey
						(L)	board	(V)	(V)	(V)	Glass	Glass	Tinted
						(L)	(LM)	(V)	(V)	(V)	(GTEMP)	(GGL13)	(GGL35)
 Full Depth Intermediate Screens, 42" High Horizon	For 18"D Tops w/o Hinged Access	1/2"	18"	14"	<b>YPSI1418( )</b>	\$223.	\$294.	\$566.	\$653.	\$752.	\$292.	\$394.	\$500.
	For 24"D Tops w/o Hinged Access	1/2"	24"	14"	<b>YPSI1424( )</b>	257.	371.	619.	699.	830.	356.	492.	632.
	For 27"D Tops w/o Hinged Access	1/2"	27"	14"	<b>YPSI1427( )</b>	267.	385.	615.	718.	858.	389.	543.	702.
	For 30"D Tops w/o Hinged Access	1/2"	30"	14"	<b>YPSI1430( )</b>	282.	399.	633.	748.	906.	423.	596.	774.
	For 36"D Tops w/o Hinged Access	1/2"	36"	14"	<b>YPSI1436( )</b>	301.	452.	666.	793.	984.	480.	688.	900.

 Full Depth Intermediate Screens, 49" High Horizon	For 18"D Tops w/o Hinged Access	1/2"	18"	21"	<b>YPSI2118( )</b>	242.	345.	589.	692.	834.	350.	497.	649.
	For 24"D Tops w/o Hinged Access	1/2"	24"	21"	<b>YPSI2124( )</b>	280.	457.	616.	720.	859.	428.	625.	824.
	For 27"D Tops w/o Hinged Access	1/2"	27"	21"	<b>YPSI2127( )</b>	293.	466.	654.	786.	988.	467.	690.	916.
	For 30"D Tops w/o Hinged Access	1/2"	30"	21"	<b>YPSI2130( )</b>	307.	482.	675.	813.	1,036.	511.	759.	1,007.
	For 36"D Tops w/o Hinged Access	1/2"	36"	21"	<b>YPSI2136( )</b>	330.	539.	700.	859.	1,123.	583.	878.	1,174.

 Partial Depth Intermediate Screens, 42" High Horizon	For 24"D Tops w/ Hinged Access	1/2"	16"	14"	<b>YPSI1416( )</b>	211.	280.	548.	629.	720.	263.	357.	453.
	For 27"D Tops w/ Hinged Access	1/2"	19"	14"	<b>YPSI1419( )</b>	225.	315.	570.	658.	762.	296.	406.	521.
	For 30"D Tops w/ Hinged Access	1/2"	22"	14"	<b>YPSI1422( )</b>	235.	324.	587.	683.	808.	327.	457.	587.
	For 36"D Tops w/ Hinged Access	1/2"	28"	14"	<b>YPSI1428( )</b>	261.	377.	636.	772.	983.	389.	550.	717.

 Partial Depth Intermediate Screens, 49" High Horizon	For 24"D Tops w/ Hinged Access	1/2"	16"	21"	<b>YPSI2116( )</b>	225.	331.	570.	667.	793.	318.	448.	584.
	For 27"D Tops w/ Hinged Access	1/2"	19"	21"	<b>YPSI2119( )</b>	246.	377.	588.	695.	840.	358.	514.	673.
	For 30"D Tops w/ Hinged Access	1/2"	22"	21"	<b>YPSI2122( )</b>	257.	388.	607.	723.	889.	397.	579.	762.
	For 36"D Tops w/ Hinged Access	1/2"	28"	21"	<b>YPSI2128( )</b>	286.	461.	651.	783.	993.	471.	702.	939.

**Ordering Information**

- Intermediate Screens**
1. Pattern Number
  2. Surface Finish
  3. Bracket Paint Finish

**Order Code**

**Intermediate Screens**

*Example:* **YPSI2124L, 118, 118T**

<b>YPS</b>	Screen
<b>I</b>	Intermediate
<b>21</b>	Height
<b>24</b>	Depth
<b>L</b>	Laminate
<b>118</b>	Bright White Laminate
<b>118T</b>	Bright White Paint

**Included With**

- Intermediate Screens**
- Brackets
  - Hardware

**Options**

**Intermediate Screens**

**Finish Options**

- (L) = Laminate
- (LM) = Markerboard
- (V) = Veneer
- (GTEMP) = Clear Glass
- (GGL13) = Powder Glass
- (GGL35) = Grey Tinted Glass

Desktop End screens are designed to plan at either end of Antenna desks, linked desk configurations, big tables or Telescope, Tone and k. stand height-adjustable tables to delineate individual workspaces from circulation paths.

End screens include a painted steel desktop mounting bracket that supports framed, tackable fabric or frameless glass, veneer, laminate or marker surface to a horizon of 42" or 49".

End screen brackets allow the screen to mount flush with the end of the top and may be used in combination with end panels.

End screens are full depth and correspond to Antenna top depths, 18", 24", 27", 30" and 36" as well as Tone and k. stand Dividends Horizon and Reff Profiles style top depths, 23", 29" and 35".

End screens attach with a clamp bracket around the front and back edges of the top. End screens may not be used with hinged access tops.

### CONSTRUCTION

Fabric screens are 1 ¼" thick, with perimeter extruded aluminum frame, extruded aluminum base frame, cast steel clamp brackets and cast aluminum bayonets. Tackable fabric surfaces are 3/8" thick PET core, on either side of ½" thick particle board.

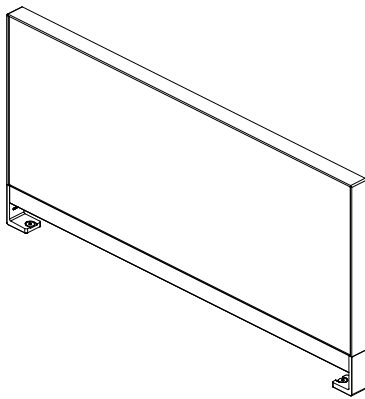
Laminate, veneer and glass screens are ½" thick, frameless, with a 1 ¼" high x 1 ¼" wide extruded aluminum base frame and cast steel clamp brackets.

### SPECIFICATION OPTIONS

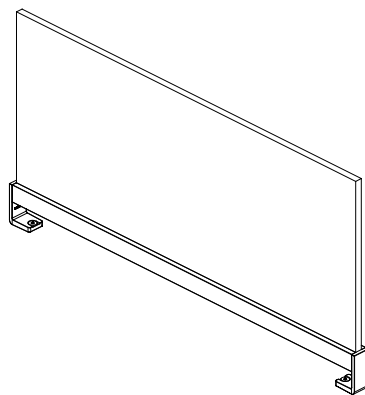
For fabric screens, specify with an Antenna approved textile. Specify perimeter frame in any Knoll Core paint finish.

For frameless screens, specify surface type: laminate (L) or veneer (V) or glass (G) finish in any Knoll Core laminate, patterned or woodgrain laminate, marker surface (M), any Core Techwood or natural veneer, or Core glass finishes.

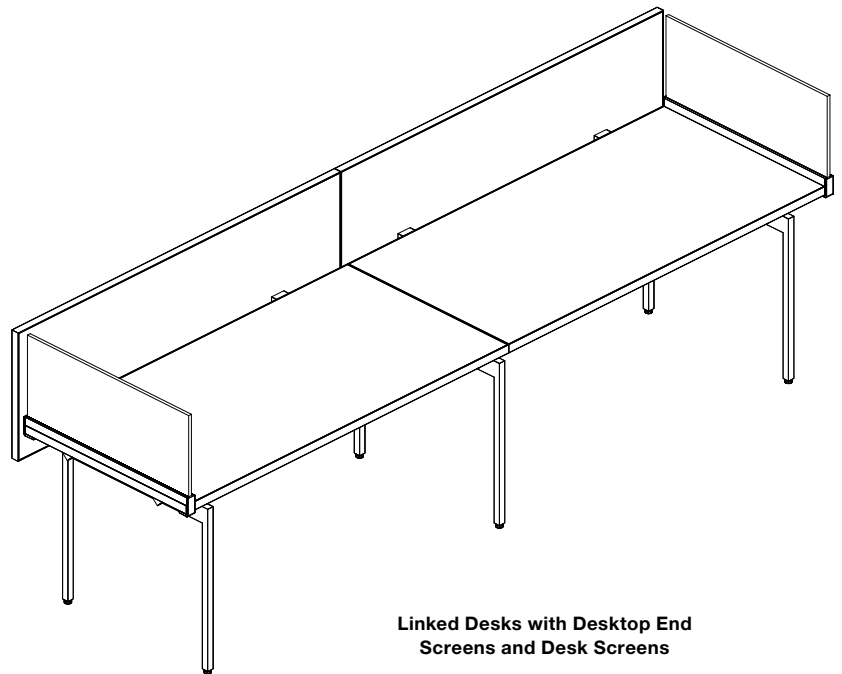
Specify bracket, in any Knoll core paint finish.



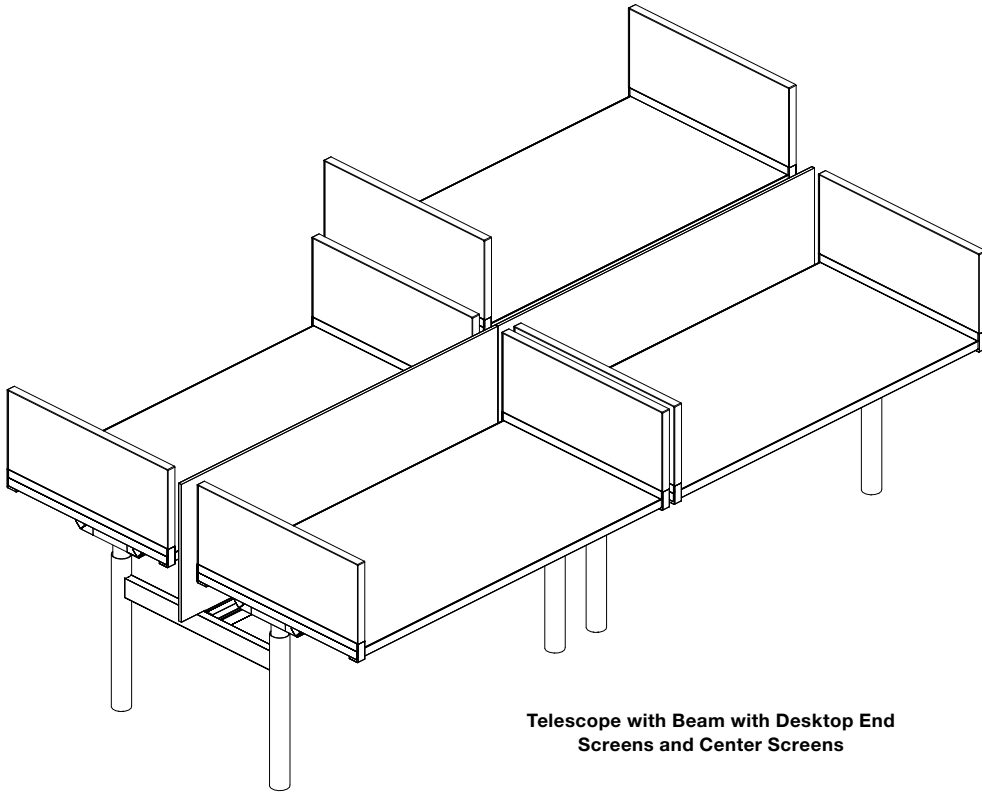
**Full Depth Desktop End Screen (Upholstered)**



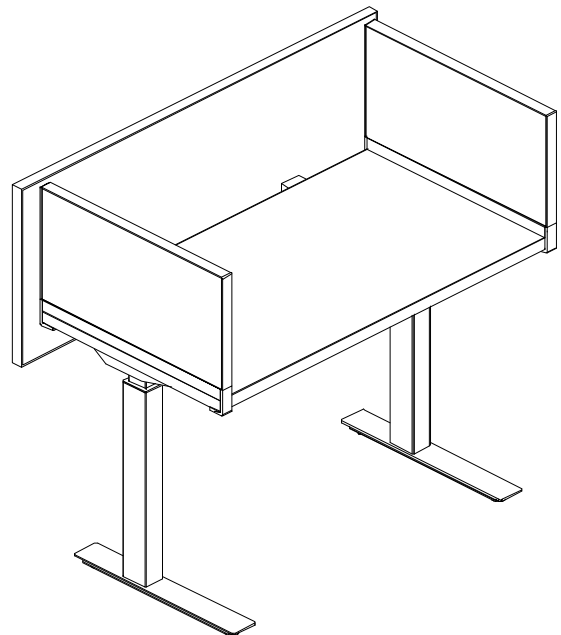
**Full Depth Desktop End Screen (Non-Upholstered)**



**Linked Desks with Desktop End Screens and Desk Screens**



**Telescope with Beam with Desktop End Screens and Center Screens**

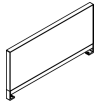
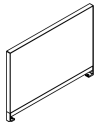


**Tone with Desktop End Screens and Desk Screen**

# Desktop End Screens

## Fabric

### For 42" or 49" High Horizon

description	type	w	d	h	pattern no.	10	20	30	40	45
 Full Depth Desktop End Screen, 42" High Horizon	For 18"D Tops w/o Hinged Access	1 1/4"	18"	14"	<b>YPSE1418F</b>	\$706.	\$742.	\$777.	\$813.	\$848.
	For 23"D Tone or k.stand tops for Dividends Horizon and Ref Profiles	1 1/4"	23"	14"	<b>YPSE1423F</b>	737.	773.	810.	847.	884.
	For 24"D Tops w/o Hinged Access	1 1/4"	24"	14"	<b>YPSE1424F</b>	737.	773.	810.	847.	884.
	For 27"D Tops w/o Hinged Access	1 1/4"	27"	14"	<b>YPSE1427F</b>	758.	796.	834.	872.	910.
	For 29"D Tone or k.stand tops for Dividends Horizon and Ref Profiles	1 1/4"	29"	14"	<b>YPSE1429F</b>	773.	812.	850.	888.	928.
	For 30"D Tops w/o Hinged Access	1 1/4"	30"	14"	<b>YPSE1430F</b>	773.	812.	850.	888.	928.
	For 35"D Tone or k.stand tops for Dividends Horizon and Ref Profiles	1 1/4"	35"	14"	<b>YPSE1435F</b>	813.	854.	893.	934.	974.
For 36"D Tops w/o Hinged Access	1 1/4"	36"	14"	<b>YPSE1436F</b>	813.	854.	893.	934.	974.	
 Full Depth Desktop End Screen, 49" High Horizon	For 18"D Tops w/o Hinged Access	1 1/4"	18"	21"	<b>YPSE2118F</b>	729.	764.	801.	837.	874.
	For 23"D Tone or k.stand tops for Dividends Horizon and Ref Profiles	1 1/4"	23"	21"	<b>YPSE2123F</b>	767.	806.	844.	883.	922.
	For 24"D Tops w/o Hinged Access	1 1/4"	24"	21"	<b>YPSE2124F</b>	767.	806.	844.	883.	922.
	For 27"D Tops w/o Hinged Access	1 1/4"	27"	21"	<b>YPSE2127F</b>	783.	822.	861.	900.	939.
	For 29"D Tone or k.stand tops for Dividends Horizon and Ref Profiles	1 1/4"	29"	21"	<b>YPSE2129F</b>	802.	842.	882.	923.	962.
	For 30"D Tops w/o Hinged Access	1 1/4"	30"	21"	<b>YPSE2130F</b>	802.	842.	882.	923.	962.
	For 35"D Tone or k.stand tops for Dividends Horizon and Ref Profiles	1 1/4"	35"	21"	<b>YPSE2135F</b>	885.	930.	973.	1,018.	1,063.
For 36"D Tops w/o Hinged Access	1 1/4"	36"	21"	<b>YPSE2136F</b>	885.	930.	973.	1,018.	1,063.	

#### Ordering Information

- Desktop End Screens**
1. Pattern Number
  2. Fabric Finish
  3. Bracket Paint Finish

#### Order Code

**Desktop End Screens**

*Example:* **YPSE2124F, W4321, 118T**

<b>YPS</b>	Screen
<b>E</b>	Desktop End
<b>21</b>	Height
<b>24</b>	Depth
<b>F</b>	Fabric
<b>W4321</b>	Versatility
<b>118T</b>	Bright White Paint

#### Included With

**Desktop End Screens**  
Brackets  
Hardware

#### Options

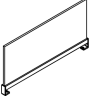
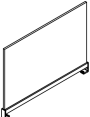
**Desktop End Screens**

The price of screens specified with a combination of fabrics is the higher of the two fabric grades.

# Desktop End Screens

## Laminate, Markerboard, Veneer or Glass

### For 42" or 49" High Horizon

description	type	w	d	h	pattern no.	Laminate (L)	Marker-board (LM)	V1 (V)	V2 (V)	V3 (V)	Clear Glass (CTEMP)	Powder Glass (GGL13)	Grey Tinted Glass (GGL35)	
	Full Depth Desktop End Screen, 42" High Horizon	For 18"D Tops w/o Hinged Access	1 1/4"	18"	14"	<b>YPSE1418( )</b>	\$301.	\$373.	\$644.	\$731.	\$830.	\$370.	\$472.	\$579.
		For 23"D Tone or k.stand tops for Dividends Horizon and Reff Profiles	1 1/4"	23"	14"	<b>YPSE1423( )</b>	335.	450.	697.	777.	908.	433.	570.	711.
		For 24"D Tops w/o Hinged Access	1 1/4"	24"	14"	<b>YPSE1424( )</b>	335.	450.	697.	777.	908.	433.	570.	711.
		For 27"D Tops w/o Hinged Access	1 1/4"	27"	14"	<b>YPSE1427( )</b>	345.	463.	693.	796.	935.	467.	621.	781.
		For 29"D Tone or k.stand tops for Dividends Horizon and Reff Profiles	1 1/4"	29"	14"	<b>YPSE1429( )</b>	360.	476.	712.	826.	985.	501.	674.	852.
		For 30"D Tops w/o Hinged Access	1 1/4"	30"	14"	<b>YPSE1430( )</b>	360.	476.	712.	826.	985.	501.	674.	852.
		For 35"D Tone or k.stand tops for Dividends Horizon and Reff Profiles	1 1/4"	35"	14"	<b>YPSE1435( )</b>	380.	530.	744.	871.	1,062.	557.	765.	978.
		For 36"D Tops w/o Hinged Access	1 1/4"	36"	14"	<b>YPSE1436( )</b>	380.	530.	744.	871.	1,062.	557.	765.	978.
	Full Depth Desktop End Screen, 49" High Horizon	For 18"D Tops w/o Hinged Access	1 1/4"	18"	21"	<b>YPSE2118( )</b>	320.	423.	667.	770.	912.	428.	576.	726.
		For 23"D Tone or k.stand tops for Dividends Horizon and Reff Profiles	1 1/4"	23"	21"	<b>YPSE2123( )</b>	358.	535.	694.	798.	937.	506.	703.	902.
		For 24"D Tops w/o Hinged Access	1 1/4"	24"	21"	<b>YPSE2124( )</b>	358.	535.	694.	798.	937.	506.	703.	902.
		For 27"D Tops w/o Hinged Access	1 1/4"	27"	21"	<b>YPSE2127( )</b>	371.	544.	732.	864.	1,066.	545.	767.	994.
		For 29"D Tone or k.stand tops for Dividends Horizon and Reff Profiles	1 1/4"	29"	21"	<b>YPSE2129( )</b>	385.	559.	753.	890.	1,114.	589.	837.	1,085.
		For 30"D Tops w/o Hinged Access	1 1/4"	30"	21"	<b>YPSE2130( )</b>	385.	559.	753.	890.	1,114.	589.	837.	1,085.
		For 35"D Tone or k.stand tops for Dividends Horizon and Reff Profiles	1 1/4"	35"	21"	<b>YPSE2135( )</b>	408.	617.	779.	937.	1,201.	661.	956.	1,253.
		For 36"D Tops w/o Hinged Access	1 1/4"	36"	21"	<b>YPSE2136( )</b>	408.	617.	779.	937.	1,201.	661.	956.	1,253.

#### Ordering Information

##### Desktop End Screen

1. Pattern Number
2. Surface Finish
3. Bracket Paint Finish

#### Order Code

##### Desktop End Screen Screens

*Example:* **YPSE2124L, 118,118T**

<b>YPS</b>	Screen
<b>E</b>	Desktop End
<b>21</b>	Height
<b>24</b>	Depth
<b>L</b>	Laminate
<b>118</b>	Bright White Laminate
<b>118T</b>	Bright White Paint

#### Included With

**Desktop End Screen**  
Brackets  
Hardware

#### Options

##### Desktop End Screen

##### Finish Options

(L) = Laminate  
(LM) = Markerboard  
(V) = Veneer  
(CTEMP) = Clear Glass  
(GGL13) = Powder Glass  
(GGL35) = Grey Tinted Glass

# End Screens for Dual Big Table

## Planning Guidelines and Specifications

End screens provide partial enclosure for the end of an Antenna big table, from a starting point 10 1/2" above the floor to a horizon of 42" or 49". The 10 1/2" starting point aligns with suspended files or cabinets. The 42" and 49" horizons correspond to center screens and stanchion mounted cabinets.

End screens are available in widths to align with the front edges of dual big tables with 18", 24", 27", 30" or 36" deep tops.

End screens include brackets to the ends of the big table tops in the space above end legs. Brackets create a 1 1/4" cord drop space between the ends of the tops and the inside face of the screen. End screens cannot be planned in combination with end panels.

End screens are available in laminate, marker, veneer or fabric surfaces. Laminate and veneer end screens are 3/4" thick, with matching color frameless edges.

Fabric end screens are 1 1/4" thick, with painted perimeter frame capturing a wood structural core and tackable fabric wrapped inserts on each face.

### Construction

Frameless screens are 3/4" MDF-core construction, with threaded metal inserts at bracket locations. Screens include solid cast aluminum brackets and attachment hardware.

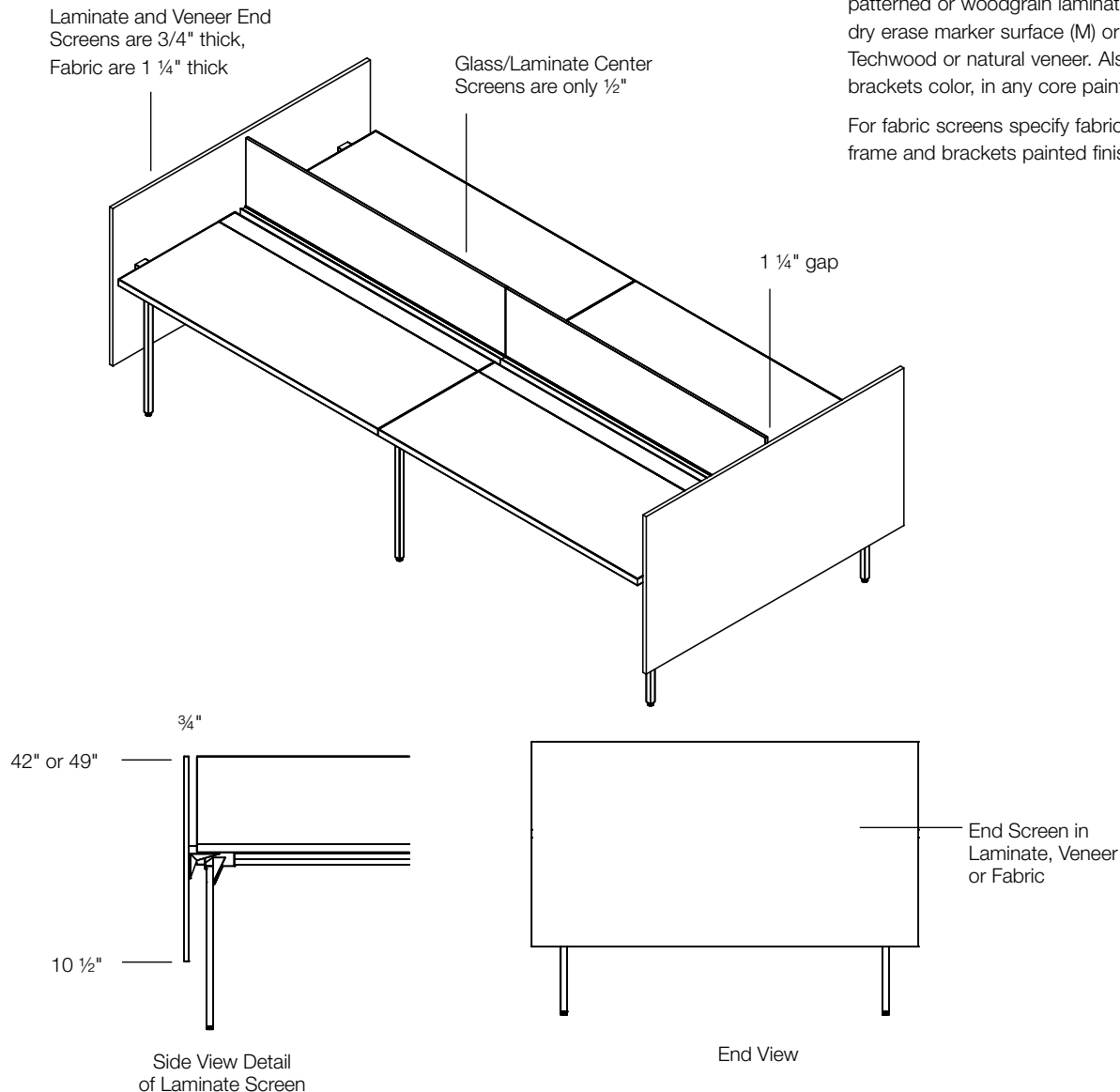
Laminate screens have 0.8mm ABS edge on four sides. Veneer screens feature vertical grain direction and 2.4 mm veneer edge.

Fabric screens have a 1/2" MDF core, with 3/8" thick tackable PET material inserts in each side wrapped in fabric and aluminum perimeter frame with seamless corners. Fabric screens have threaded metal inserts at bracket locations.

### Specification Options

For end screens specify surface type: laminate (L) or veneer (V), any core laminate, patterned or woodgrain laminate up to 60"W, dry erase marker surface (M) or any core Techwood or natural veneer. Also specify brackets color, in any core painted finish.

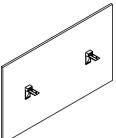
For fabric screens specify fabric, perimeter frame and brackets painted finishes.

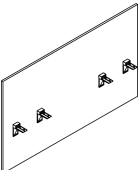


# End Screens for Dual Big Table

## Fabric

### For 42" or 49" Horizons

description	type	w	d	h	pattern no.	grade						
						10	20	30	40	45	50	55
	For 18"D dual	41 1/2"	1 1/4"	32"	<b>YPSB3241F</b>	\$912.	\$958.	\$1,005.	\$1,050.	\$1,095.	\$1,141.	\$1,189.
	For 24"D dual	53 1/2"	1 1/4"	32"	<b>YPSB3253F</b>	952.	1,000.	1,047.	1,095.	1,143.	1,192.	1,238.
	For 27"D dual	59 1/2"	1 1/4"	32"	<b>YPSB3259F</b>	1,009.	1,059.	1,109.	1,160.	1,210.	1,261.	1,311.
	For 30"D dual	65 1/2"	1 1/4"	32"	<b>YPSB3265FRR</b>	1,170.	1,229.	1,288.	1,346.	1,405.	1,464.	1,524.
	For 36"D dual	77 1/2"	1 1/4"	32"	<b>YPSB3277FRR</b>	1,249.	1,312.	1,375.	1,436.	1,498.	1,562.	1,625.

	For 18"D dual	41 1/2"	1 1/4"	38"	<b>YPSB3841F</b>	987.	1,035.	1,084.	1,133.	1,181.	1,233.	1,282.
	For 24"D dual	53 1/2"	1 1/4"	38"	<b>YPSB3853F</b>	1,037.	1,089.	1,141.	1,195.	1,244.	1,297.	1,348.
	For 27"D dual	59 1/2"	1 1/4"	38"	<b>YPSB3859F</b>	1,099.	1,155.	1,209.	1,264.	1,318.	1,374.	1,428.
	For 30"D dual	65 1/2"	1 1/4"	38"	<b>YPSB3865FRR</b>	1,278.	1,341.	1,405.	1,469.	1,533.	1,597.	1,661.
	For 36"D dual	77 1/2"	1 1/4"	38"	<b>YPSB3877FRR</b>	1,361.	1,429.	1,497.	1,566.	1,633.	1,702.	1,770.

#### Ordering Information

##### End Screens

1. Pattern Number
2. Inside Fabric Finish
3. Outside Fabric Finish
4. Frame Paint Finish
5. Bracket Paint Finish

#### Order Code

##### End Screens

*Example:* **YPSB3241F, W1077, W1077, 118T, 118T**

<b>YPSB</b>	End Screen
<b>32</b>	Height
<b>41</b>	Width
<b>F</b>	Fabric
<b>W1077</b>	Element
<b>W1077</b>	Element
<b>118T</b>	Bright White Paint
<b>118T</b>	Bright White Paint

#### Included With

**End Screens**  
Brackets  
Hardware

#### Options

##### End Screens

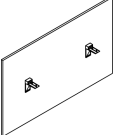
The price of screens specified with a combination of fabrics is the higher of the two fabric grades.


(RR) = Fabric is applied railroaded

# End Screens for Dual Big Table

## Laminate, Markerboard or Veneer

### For 42" or 49" Horizons

description	type	w	d	h	pattern no.	Laminate (L)	Marker-board (LM)	V1 (V)	V2 (V)	V3 (V)
	For 18"D dual	41 1/2"	3/4"	32"	<b>YPSB3241()</b>	\$475.	\$742.	\$939.	\$1,042.	\$1,601.
	For 24"D dual	53 1/2"	3/4"	32"	<b>YPSB3253()</b>	505.	1,193.	1,010.	1,135.	1,837.
	For 27"D dual	59 1/2"	3/4"	32"	<b>YPSB3259()</b>	670.	1,202.	1,096.	1,222.	1,998.
	For 30"D dual	65 1/2"	3/4"	32"	<b>YPSB3265()</b>	782.	1,313.	1,218.	1,369.	2,213.
	For 36"D dual	77 1/2"	3/4"	32"	<b>YPSB3277()</b>	804.	1,336.	1,290.	1,463.	2,449.

	For 18"D dual	41 1/2"	3/4"	38"	<b>YPSB3841()</b>	492.	758.	980.	1,101.	1,760.
	For 24"D dual	53 1/2"	3/4"	38"	<b>YPSB3853()</b>	527.	1,212.	1,074.	1,223.	2,051.
	For 27"D dual	59 1/2"	3/4"	38"	<b>YPSB3859()</b>	692.	1,224.	1,155.	1,316.	2,229.
	For 30"D dual	65 1/2"	3/4"	38"	<b>YPSB3865()</b>	805.	1,337.	1,307.	1,485.	2,483.
	For 36"D dual	77 1/2"	3/4"	38"	<b>YPSB3877()</b>	835.	1,369.	1,377.	1,580.	2,746.

#### Ordering Information

##### Intermediate Screens

1. Pattern Number
2. Surface Finish
3. Bracket Paint Finish

#### Order Code

##### Intermediate Screens

*Example:* **YPSI2124L, 118, 118T**

<b>YPS</b>	Screen
<b>I</b>	Intermediate
<b>21</b>	Height
<b>24</b>	Depth
<b>L</b>	Laminate
<b>118</b>	Bright White Laminate
<b>118T</b>	Bright White Paint

#### Included With

##### Intermediate Screens

Brackets  
Hardware

#### Options

##### Intermediate Screens

##### Finish Options

(L) = Laminate  
(LM) = Markerboard  
(V) = Veneer



### Fence Screens

Fence screens provide enclosure above either height fence to a horizon of 42" or 49", which aligns with upmounted storage cabinets. Fence mounted screens have wedge shape base and can be secured to the fence with bolts into mounting locations every 3" along the center of the crown.

Screens are available from 24"-48" wide in 6" increments, plus 60" and 72" widths.

#### Two types of screens are available:

- Frameless laminate, marker surface, veneer or glass screens are 1/2" thick with matching edge and crisp, eased corners. Base fits flush with top of fence crown.
- Fabric screens are 1 1/4" thick, with painted perimeter frame capturing a wood structural core and tackable, fabric wrapped inserts on each face.

### Construction

Frameless laminate or veneer screens are 1/2" MDF construction. Frameless glass screens are 1/2" tempered glass with polished edges.

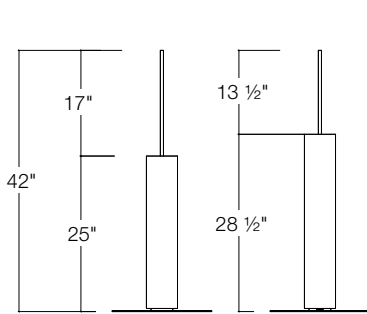
Fabric screens have a 1/2" MDF core, with 3/8" thick tackable PET material inserts on each side wrapped in fabric, and aluminum perimeter frame with seamless corners.

### Specification Options

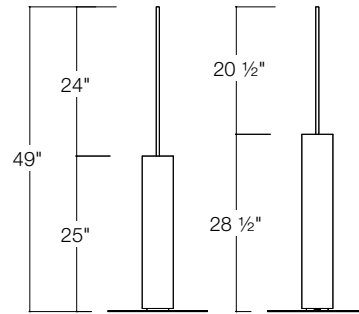
To specify fence screens identify fence height (25" or 28") and desired horizon (42" or 49" high).

For frameless screens specify surface type: laminate (L) or veneer (V) or glass (G); finish, any core laminate, patterned or woodgrain laminate up to 60"W, dry-erase marker surface (M), any core Techwood or natural veneer, or core glass finishes. Also specify base color, in any core paint finish.

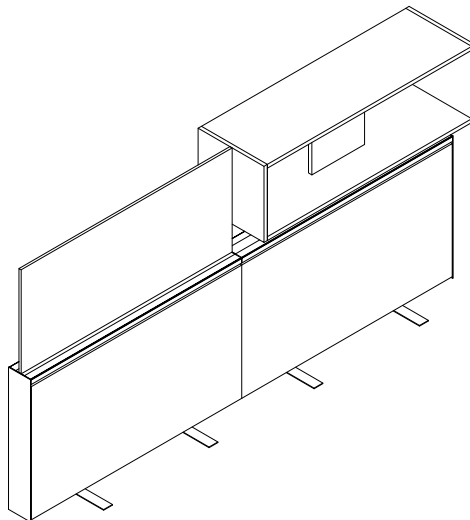
For fabric screens specify fabric, perimeter frame and bracket painted finishes.



Fence with Screens, 42" High Horizon



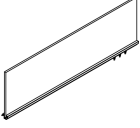
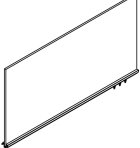


Fence with Screens, 49" High Horizon



Screen and Cabinet Align at 49"H

*Fabric*

*For 25" and 28" High Fence, 42" and 49" High Horizon*

description	w	d	h	pattern no.	list	10	20	30	40	45
Fabric Screens for 25" High Fence, 42" High Horizon 	24"	1 1/4"	17"	<b>YPSF1724F</b>	n/a	\$632.	\$664.	\$694.	\$725.	\$759.
	36"	1 1/4"	17"	<b>YPSF1736F</b>	n/a	718.	755.	792.	827.	863.
	48"	1 1/4"	17"	<b>YPSF1748F</b>	n/a	797.	836.	875.	916.	955.
	60"	1 1/4"	17"	<b>YPSF1760F</b>	n/a	840.	881.	923.	966.	1,008.
	72"	1 1/4"	17"	<b>YPSF1772FRR</b>	n/a	941.	988.	1,035.	1,083.	1,132.
Fabric Screens for 25" High Fence, 49" High Horizon 	24"	1 1/4"	24"	<b>YPSF2424F</b>	n/a	688.	722.	759.	792.	824.
	36"	1 1/4"	24"	<b>YPSF2436F</b>	n/a	835.	875.	918.	959.	1,002.
	48"	1 1/4"	24"	<b>YPSF2448F</b>	n/a	909.	956.	1,003.	1,045.	1,091.
	60"	1 1/4"	24"	<b>YPSF2460F</b>	n/a	993.	1,041.	1,091.	1,141.	1,190.
	72"	1 1/4"	24"	<b>YPSF2472FRR</b>	n/a	1,107.	1,163.	1,218.	1,274.	1,329.
Fabric Screens for 28" High Fence, 42" High Horizon 	24"	1 1/4"	14"	<b>YPSF1424F</b>	n/a	603.	635.	666.	694.	725.
	36"	1 1/4"	14"	<b>YPSF1436F</b>	n/a	681.	715.	748.	783.	816.
	48"	1 1/4"	14"	<b>YPSF1448F</b>	n/a	750.	789.	824.	864.	900.
	60"	1 1/4"	14"	<b>YPSF1460F</b>	n/a	797.	836.	875.	916.	955.
	72"	1 1/4"	14"	<b>YPSF1472FRR</b>	n/a	878.	922.	966.	1,010.	1,055.
Fabric Screens for 28" High Fence, 49" High Horizon 	24"	1 1/4"	21"	<b>YPSF2124F</b>	n/a	663.	694.	729.	762.	794.
	36"	1 1/4"	21"	<b>YPSF2136F</b>	n/a	797.	836.	875.	916.	955.
	48"	1 1/4"	21"	<b>YPSF2148F</b>	n/a	860.	902.	946.	987.	1,031.
	60"	1 1/4"	21"	<b>YPSF2160F</b>	n/a	935.	983.	1,030.	1,076.	1,121.
	72"	1 1/4"	21"	<b>YPSF2172FRR</b>	n/a	1,063.	1,115.	1,170.	1,221.	1,276.
Fabric Screen Fillers for Fence	24"			<b>YPSFF24</b>	64.	n/a	n/a	n/a	n/a	n/a
	36"			<b>YPSFF36</b>	89.	n/a	n/a	n/a	n/a	n/a
	48"			<b>YPSFF48</b>	115.	n/a	n/a	n/a	n/a	n/a
	60"			<b>YPSFF60</b>	140.	n/a	n/a	n/a	n/a	n/a
	72"			<b>YPSFF72</b>	166.	n/a	n/a	n/a	n/a	n/a

**Ordering Information**

**Big Table Screens**

1. Pattern Number
2. Fabric Finish
3. Frame Paint Finish

**Order Code**

**Big Table Screenss**

*Example:* **YPSC1448F, W1077, 118T**

<b>YPSC</b>	Big Table Center Screen
<b>14</b>	Height
<b>48</b>	Width
<b>F</b>	Fabric
<b>W1077</b>	Element
<b>118T</b>	Bright White Paint

**Included With**

**Big Table Screens**  
Brackets  
Hardware

**Options**


**Big Table Screens**


The price of screens specified with a combination of fabrics is the higher of the two fabric grades.


(RR) Fabric is applied railroaded.


Laminate, Markerboard, Veneer or Glass

For 25" and 28" High Fence, 42" and 49" High Horizon

description	w	d	h	pattern no.	Laminate (L)	Markerboard (LM)	V1 (V)	V2 (V)	V3 (V)	Clear Glass (GTEMP)	Powder Glass (GL13)	Grey Tinted Glass (GGL35)
Screens for 25" High Fence, 42" High Horizon 	24"	1/2"	17"	<b>YPSF1724( )</b>	\$289.	\$430.	\$619.	\$740.	\$980.	\$396.	\$590.	\$746.
	36"	1/2"	17"	<b>YPSF1736( )</b>	352.	587.	694.	855.	1,210.	532.	819.	1,073.
	48"	1/2"	17"	<b>YPSF1748( )</b>	510.	1,010.	794.	993.	1,457.	688.	1,076.	1,410.
	60"	1/2"	17"	<b>YPSF1760( )</b>	559.	1,058.	899.	1,134.	1,712.	838.	1,321.	1,752.
	72"	1/2"	17"	<b>YPSF1772( )</b>	610.	1,094.	980.	1,253.	1,944.	986.	1,566.	2,082.

Screens for 25" High Fence, 49" High Horizon 	24"	1/2"	24"	<b>YPSF2424( )</b>	313.	680.	685.	829.	1,154.	486.	766.	972.
	36"	1/2"	24"	<b>YPSF2436( )</b>	392.	716.	783.	977.	1,452.	657.	1,076.	1,403.
	48"	1/2"	24"	<b>YPSF2448( )</b>	491.	1,756.	882.	1,131.	1,759.	850.	1,407.	1,842.
	60"	1/2"	24"	<b>YPSF2460( )</b>	557.	1,809.	1,011.	1,310.	2,094.	1,033.	1,731.	2,286.
	72"	1/2"	24"	<b>YPSF2472( )</b>	729.	1,846.	1,121.	1,471.	2,412.	1,219.	2,055.	2,719.

Screens for 28" High Fence, 42" High Horizon 	24"	1/2"	14"	<b>YPSF1424( )</b>	266.	346.	603.	714.	911.	373.	545.	651.
	36"	1/2"	14"	<b>YPSF1436( )</b>	321.	461.	675.	813.	1,105.	499.	759.	933.
	48"	1/2"	14"	<b>YPSF1448( )</b>	447.	762.	754.	922.	1,308.	646.	989.	1,225.
	60"	1/2"	14"	<b>YPSF1460( )</b>	496.	809.	864.	1,064.	1,540.	788.	1,217.	1,521.
	72"	1/2"	14"	<b>YPSF1472( )</b>	546.	842.	939.	1,171.	1,743.	929.	1,444.	1,805.

Screens for 28" High Fence, 49" High Horizon 	24"	1/2"	21"	<b>YPSF2124( )</b>	291.	434.	644.	783.	1,064.	442.	677.	877.
	36"	1/2"	21"	<b>YPSF2136( )</b>	358.	459.	718.	899.	1,316.	595.	948.	1,260.
	48"	1/2"	21"	<b>YPSF2148( )</b>	516.	1,014.	833.	1,057.	1,606.	768.	1,240.	1,657.
	60"	1/2"	21"	<b>YPSF2160( )</b>	565.	1,064.	935.	1,207.	1,889.	935.	1,527.	2,056.
	72"	1/2"	21"	<b>YPSF2172( )</b>	621.	1,101.	1,039.	1,354.	2,173.	1,102.	1,814.	2,446.

Ordering Information

- Fence Screens**  
 1. Pattern Number  
 2. Surface Finish  
 3. Bracket Paint Finish

Order Code

Fence Screens	
<i>Example:</i>	<b>YPSF1448V, 006B, 118T</b>
<b>YPSF</b>	Fence Screen
<b>14</b>	Height
<b>48</b>	Width
<b>V</b>	Veneer
<b>006B</b>	Maple
<b>118T</b>	Bright White Paint

Included With

**Fence Screens**  
 Brackets  
 Hardware

Options

**Fence Screens**  
**Finish Options:**  
 (L) = Laminate  
 (LM) = Markerboard  
 (V) = Veneer  
 (GTEMP) = Clear Glass  
 (GGL13) = Powder Glass  
 (GGL35) = Grey Tinted Glass

# S Screens

## Planning Guidelines and Specifications

### S Screens

S screens attach to the back of a desktop to provide enclosure both above and below the desktop. The distinctive curved profile transitions from the 10 ½" high vertical modesty panel to a horizontal transaction surface at the 42" horizon.

The screen desk mount brackets enable a full 1 ¼" cord drop space between the back edge of the top and the inside of the screen.

Sapper monitor arms should not be used on the back edge of desk tops with S screens

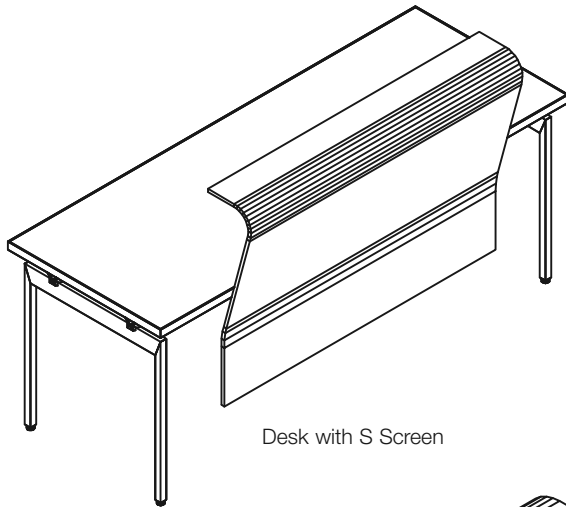
### Construction

S screens are ½" thick plywood core with applied laminate on both faces and clear finish on side edges.

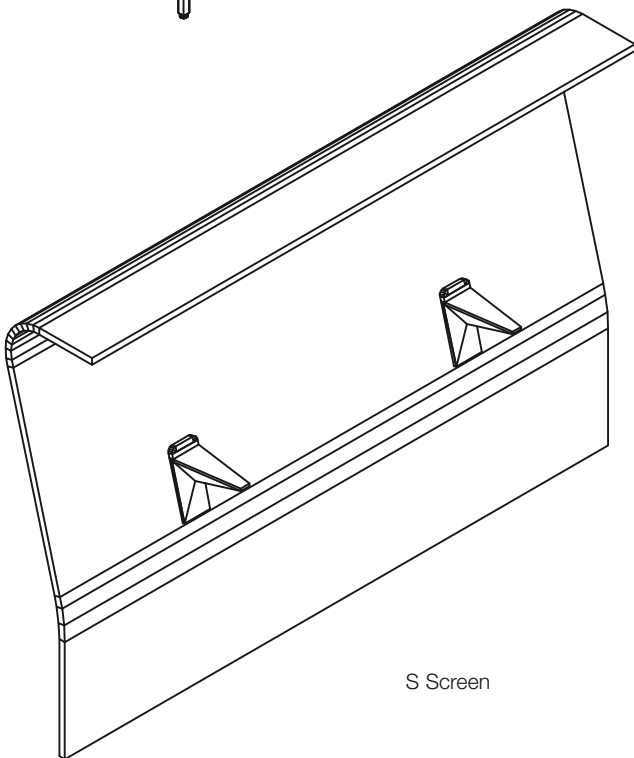
### Specification Options

S screens are available in White or Folkstone laminate.

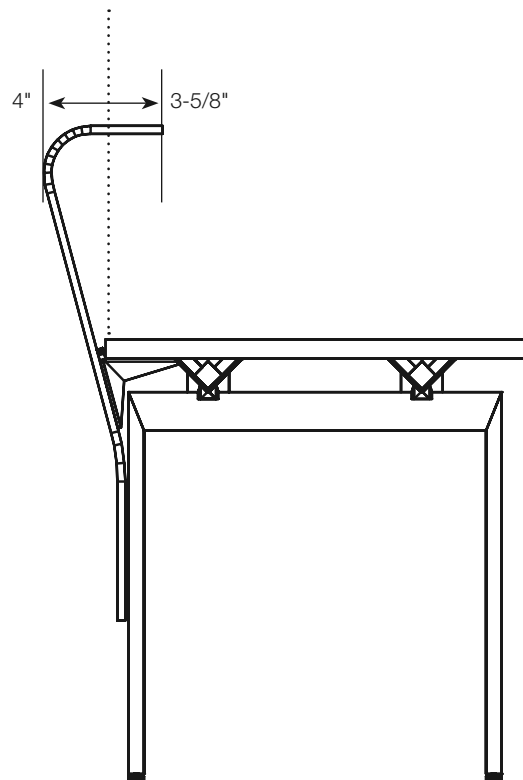
Specify mounting brackets in any Knoll Core paint finish.



Desk with S Screen



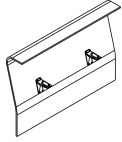
S Screen



Desk with S Screen End Elevation

S Screens  
*Laminate*  
*For 42" High Horizon*

description	type	w	d	h	pattern no.	Laminate (L)
S Screen	For Attachment to Desk	48"	7 1/2"	32"	<b>YPSS3248( )</b>	\$1,400.



**Ordering Information**

**S Screens**

1. Pattern Number
2. Surface Finish
3. Bracket Paint Finish

**Order Code**

**S Screens**

*Example:* **YPSS3248L**

<b>YPS</b>	Screen
<b>S</b>	S Shape
<b>32</b>	Height
<b>48</b>	Width
<b>L</b>	Laminate
<b>118</b>	Bright White Laminate
<b>118T</b>	Bright White Paint

**Included With**

**S Screens**

Attachment brackets  
 Hardware

**S Screen**

**Material Finish Options:**  
 (L) = Laminate

**S Screens are available in the following finishes:**

- (118) Bright White Laminate
- (114) Folkstone Grey Laminate

### Floorstanding Desk Mounted Screens

Floorstanding desk mounted L screens are available in 42" and 49" high horizons creating two different privacy level options.

L screens are designed to wrap around a corner of a desk, with a 36" or 48"W panel generally along the back edge of the desk, and a 12" or 18"W panel along part of the side of the desk top. Both sides are bracketed to the underside of the top, and are also supported by adjustable levelers at the floor. Desk mount brackets are included for stability.

L screens are handed, so, for example, the left hand version of a 36" wide by 18" deep screen has the 18" wide panel on the left and

the 36" wide panel on the right, from a seated position at the desk. Right hand version has the 18" wide panel on the right and the 36" wide panel on the left, from a seated position.

The L screen corner bracket should be specified when planning an L screen to surround a pedestal supported desktop. A floorstanding pedestal can block access to the standard screen bracket at the end of the top. The brace is installed 25 1/4" above the floor (immediately above floorstanding pedestal height) to join the two panels of the L together. Then the two screen brackets that normally connect each of the panels now are both installed on the long side of the

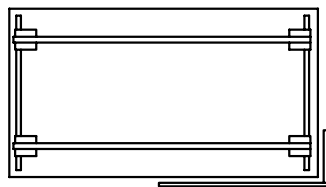
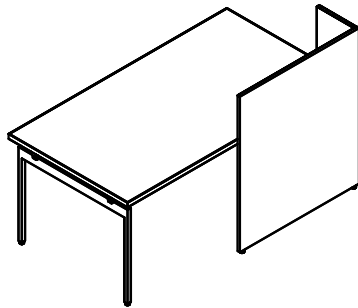
L, to the back side of the top. The bracket is for the most part concealed by the top, though visible just below the 1 1/4" deep cord drop around the corner of the desktop.

### Construction

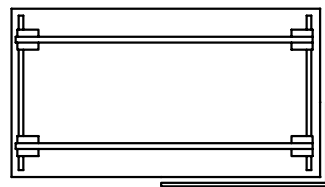
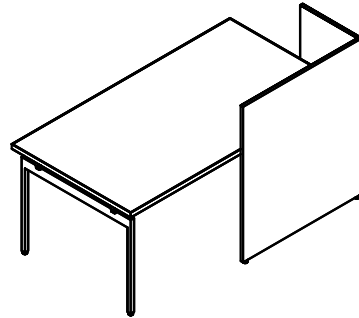
Floorstanding screens are 3/4" MDF construction with surface laminate or veneer on all faces, and 1" diameter levelers with 1 1/2" travel. The L screen corner bracket is die cast aluminum.

### Specification Options

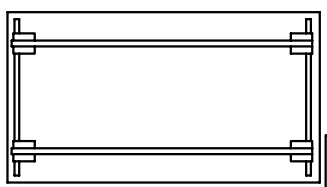
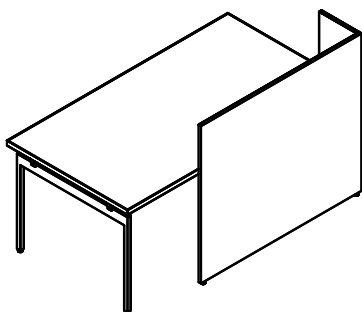
For L screen specify vertical surface type (L or V) and finish in any core laminate, patterned or woodgrain laminate up to 60"W, or veneer, and bracket finish in any core paint finish. The L screen corner bracket can be specified in any Core paint finish.



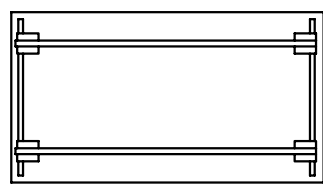
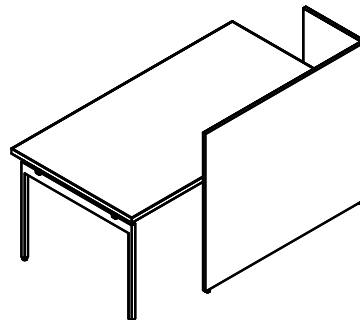
42" High 36" Wide 12" Deep  
L Screen, Left End of Desk



42" High 36" Wide 18" Deep  
L Screen, Left End of Desk



42" High 48" Wide 12" Deep  
L Screen, Left End of Desk

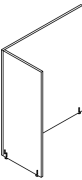
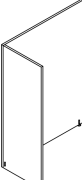


42" High 48" Wide 18" Deep  
L Screen, Left End of Desk

# Floorstanding Desk Screens

## Laminate and Veneer L-Screens

### 42" and 49" High

description	type	w	d	h	pattern no.	list	Laminate (L)	V1 (V)	V2 (V)	V3 (V)
 <p>42" High L Screens</p>	Left End of Desk	36"	12"	42"	<b>YSFSL423612( )</b>	n/a	\$627.	\$1,128.	\$1,297.	\$1,752.
	Left End of Desk	36"	18"	42"	<b>YSFSL423618( )</b>	n/a	627.	1,128.	1,297.	1,752.
	Left End of Desk	48"	12"	42"	<b>YSFSL424812( )</b>	n/a	753.	1,355.	1,557.	2,103.
	Left End of Desk	48"	18"	42"	<b>YSFSL424818( )</b>	n/a	753.	1,355.	1,557.	2,103.
	Right End of Desk	36"	12"	42"	<b>YSFSR423612( )</b>	n/a	627.	1,128.	1,297.	1,752.
	Right End of Desk	36"	18"	42"	<b>YSFSR423618( )</b>	n/a	627.	1,128.	1,297.	1,752.
	Right End of Desk	48"	12"	42"	<b>YSFSR424812( )</b>	n/a	753.	1,355.	1,557.	2,103.
	Right End of Desk	48"	18"	42"	<b>YSFSR424818( )</b>	n/a	753.	1,355.	1,557.	2,103.
	<i>Left Shown</i>									
 <p>49" High L Screens</p>	Left End of Desk	36"	12"	49"	<b>YSFSL493612( )</b>	n/a	753.	1,355.	1,557.	2,103.
	Left End of Desk	36"	18"	49"	<b>YSFSL493618( )</b>	n/a	753.	1,355.	1,557.	2,103.
	Left End of Desk	48"	12"	49"	<b>YSFSL494812( )</b>	n/a	903.	1,630.	1,875.	2,530.
	Left End of Desk	48"	18"	49"	<b>YSFSL494818( )</b>	n/a	903.	1,630.	1,875.	2,530.
	Right End of Desk	36"	12"	49"	<b>YSFSR493612( )</b>	n/a	753.	1,355.	1,557.	2,103.
	Right End of Desk	36"	18"	49"	<b>YSFSR493618( )</b>	n/a	753.	1,355.	1,557.	2,103.
	Right End of Desk	48"	12"	49"	<b>YSFSR494812( )</b>	n/a	903.	1,630.	1,875.	2,530.
	Right End of Desk	48"	18"	49"	<b>YSFSR494818( )</b>	n/a	903.	1,630.	1,875.	2,530.
	<i>Left Shown</i>									
L Screen Corner Bracket	For L Screen Applications with Pedestals				<b>YSFSB</b>	40.	n/a	n/a	n/a	n/a

#### Ordering Information

- L Screen**
1. Pattern Number
  2. Vertical Surface Finish
  3. Bracket Paint Finish

#### Order Code

L Screens	
<i>Example:</i>	<b>YSFSL423618L, 118, 118T</b>
<b>YSFS</b>	L Screen
<b>L</b>	Left Hand
<b>42</b>	Height
<b>36</b>	Width
<b>18</b>	Depth
<b>L</b>	Laminate
<b>118</b>	Bright White Laminate
<b>118T</b>	Bright White Paint

#### Included With

**Floorstanding Screens**  
Brackets  
Hardware

#### Options

**Floorstanding Screens Finish Options:**  
(L)=Laminate  
(V)=Veneer

**Antenna Storage**

Antenna storage comprises a broad scope of storage options for suspended files, books and binders, coats and secure storage of personal items and electronics. The scope includes both metal and wood construction, desk mounted, stanchion supported, wall mounted and floorstanding components. Antenna storage is finished on all sides to define work areas, complement individual workspaces and articulate group work and activity areas.

Storage for desks includes pedestals, laptop drawers, suspended, desk-height and floorstanding extension cabinets. Desk extension cabinets are also available for the ends of a big table.

For big tables and Fence, storage options also include stanchion mounted platform shelves and storage cabinets.

For offices and team spaces, Antenna storage cabinets and shelves can be wall mounted or floorstanding.

For group meeting or activity spaces, shelf cabinets can be freestanding storage walls for privacy or space definition.

**Antenna Storage Surfaces and Options**

Antenna storage components may be finished in a monolithic painted, laminate or veneer surface. Suspended and stanchion mounted open storage cabinets can also be specified in a contrasting interior color laminate. Interior laminate options include core laminates and five accent laminate colors. Storage with enclosed fronts can be specified with painted or laminate case and wood or contrasting core laminate front.

**Pulls for Drawers and Doors**

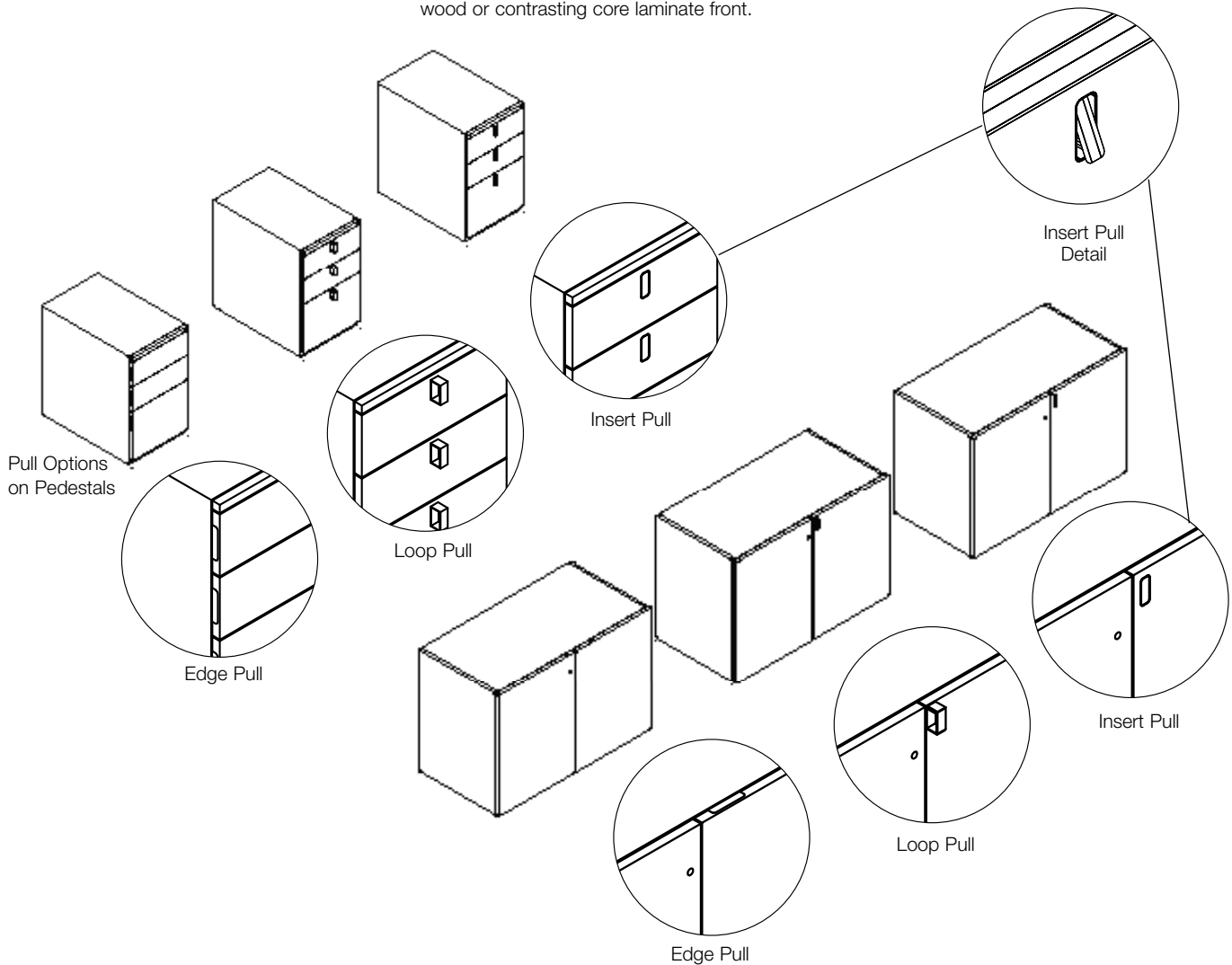
Pedestals and suspended file and hinged door fronts are available with three pull profiles:

Edge pull, a discreet recess in left and right hand edges of drawers and top edge of doors is available in chrome (PD) finish or in any Knoll core paint finish, Dark Red (131) or Slate Blue (132).

Insert pull, a fingertip hinged tab flush with the front is available in a chrome (PD) finish.

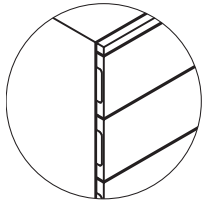
Loop pull, a small open square loop on the surface of the front is available in any Knoll core paint finish, Dark Red (131) or Slate Blue (132).

Sliding door fronts include a discreet vertical pull in any Knoll core paint finish.

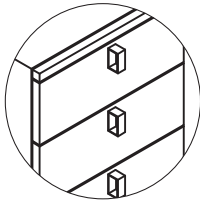




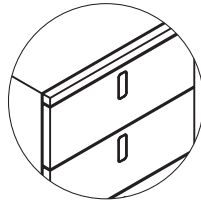
**Pedestal Drawer Pull Options**



Edge Pull

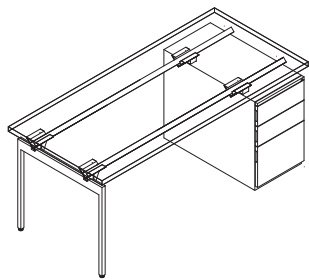


Loop Pull

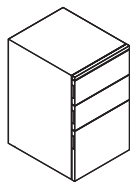


Insert Pull

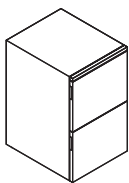
**Floorstanding Pedestals**



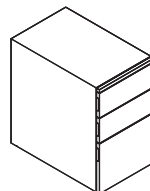
Antenna Desk with Righthanded Floorstanding Pedestal



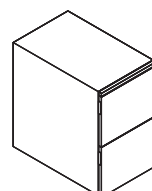
Box/Box/File Pedestal  
18" Deep



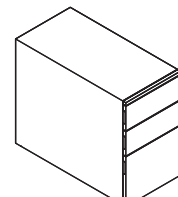
File/File Pedestal  
18" Deep



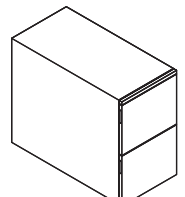
Box/Box/File Pedestal  
24" Deep



File/File Pedestal  
24" Deep

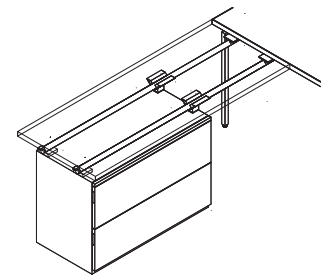


Box/Box/File Pedestal  
30" Deep

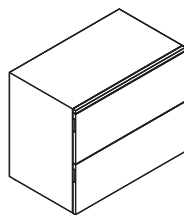


File/File Pedestal  
30" Deep

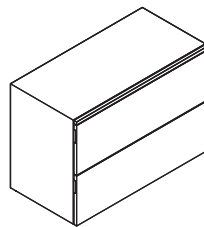
**Floorstanding and Freestanding Double Wide Pedestals**



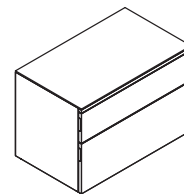
Antenna Desk with Double Wide Pedestal



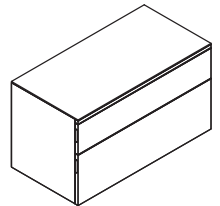
File/File Double Wide Pedestal  
30" Wide



File/File Double Wide Pedestal  
36" Wide

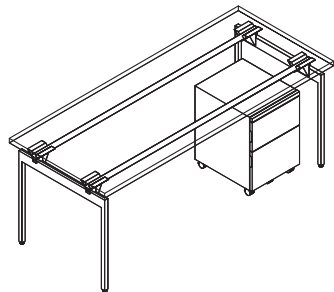


Data/File Double Wide Pedestal  
30" Wide

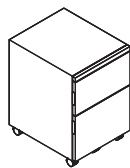


Data/File Double Wide Pedestal  
36" Wide

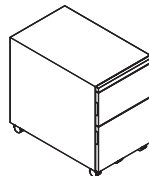
**Mobile Pedestals**



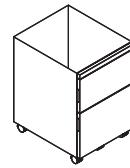
Antenna Desk with Personal/File Mobile Pedestal



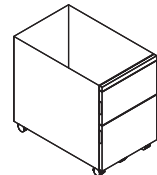
Personal/File Mobile Pedestal  
18" Deep



Personal/File Mobile Pedestal  
24" Deep



Personal/File Mobile Pedestal with Open Top for Seat Pad  
18" Deep



Personal/File Mobile Pedestal with Open Top for Seat Pad  
24" Deep

# Pedestals

## Floorstanding

### Planning Guidelines and Specifications

#### Floorstanding Pedestals

Floorstanding pedestals provide fixed location storage under a desk or return.

Pedestals are 25" high steel cabinets in file/ file or box/box/file configurations that are sized to fit below and connect to desk rails. Floorstanding pedestals can take the place of a leg, in combination with YBATE25 pedestal adapter kit and appropriate ballast, to support one end of a desk top. Ballast kits are required for stability of freestanding desk applications, but may not be required where other end of desk is connected to Fence or perpendicular desk. Ballast kits are available in specific weights for each pedestal depth.

Positioning brackets (YSFA) stabilize and maintain position of floorstanding 25" high pedestals under desk or big table rails when the pedestal is not integrated into the desk structure. Positioning brackets enable floorstanding pedestals to mount adjacent to end legs or other floorstanding pedestals that are connected to the desk with YBATE25 brackets. They are also applicable under bridge tops or tops supported by Fence or Template storage. Positioning brackets fasten with screws into the holes in the top of the pedestal corresponding to desk support rails, or they may be adhered in position under the rails of a big table (adhesive not included in kit).

Ballast kits are still recommended for most floorstanding pedestal but positioning brackets may make ballast unnecessary for pedestals in multiple-position big tables.

Metal pedestals are available in painted steel case with painted wood, laminate or veneer fronts.

Pencil trays can be specified along with pedestals. The five section pencil tray rides on drawer sides of box or file drawers.

#### Construction

Floorstanding pedestals include full painted steel surround with no seams at back corners, flat steel top, full extension drawer slides and leveling glides with 2" range. Steel top is specified to have mounting holes for adapter kit on right or left side. Actual case height is 24" and stands 1" above the floor. Actual case width is 15" and depths are 17 1/2", 23 1/2", and 29 1/2".

File drawers on 18"D cabinets are 12"W x 15"D and support letter or legal suspended file folders. File drawers on 24"D and 30"D cabinets are 12"W x 21"D and include a divider to enable full depth letter or side to side legal suspended filing.

Box drawers are 5"H x 12"W x 15" or 21"D and can support Knoll universal pencil tray (specified separately).

Pencil trays are plastic injection molded construction, 13 1/4" wide, 5 7/16" deep and 7/8" high.

#### Specification Options

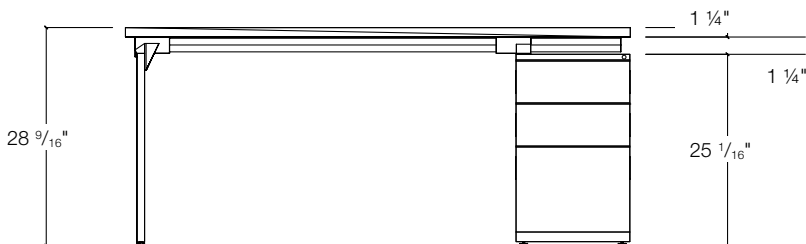
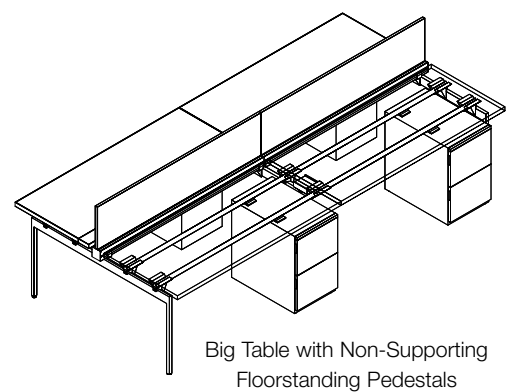
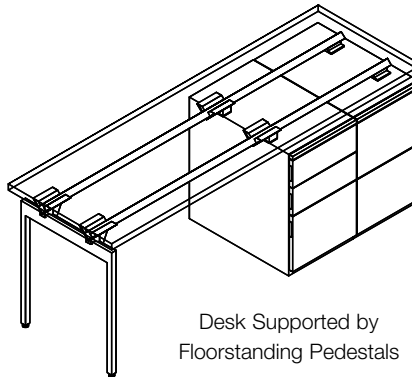
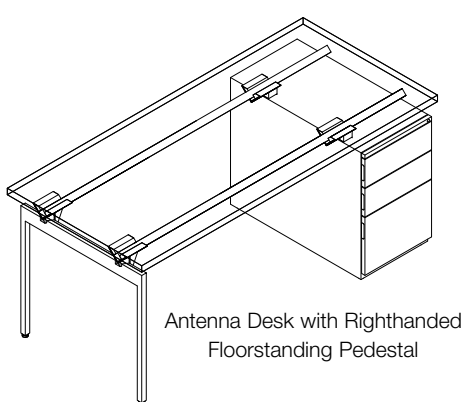
Specify either a left or right mounting position for correct location of holes in the top of the pedestal for connection to desk support adapter brackets. Specify top without holes for freestanding applications under desk rails with positioning brackets YSFA. Front is available either painted (P), laminate (L) or veneer (V). Pedestals can be locking (L) or non-locking (N).

Case is available in any Knoll Core paint finish. Drawer fronts may be specified in any Knoll Core paint, laminate or veneer finish.

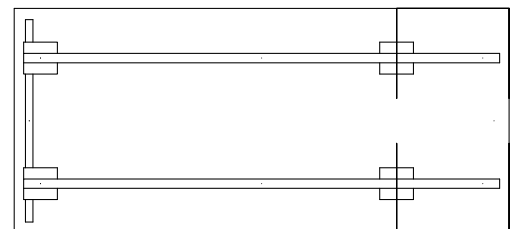
Specify pull type: Edge (E), Insert (I) or Loop (O). Edge pulls are available in any Knoll Core paint finish, Dark Red, Slate Blue or in Chrome (PD). Loop pulls are available in any Knoll Core paint finish, Dark Red or Slate Blue. Insert pulls are available in Chrome (PD).

Desk support adapters and pedestal positioning brackets are available in any Knoll Core paint finish, Dark Red or Slate Blue.

Pencil trays are available in either a black or clear finish.



Righthanded Floorstanding Pedestal Elevation



Righthanded Floorstanding Pedestal in Plan

# Pedestals

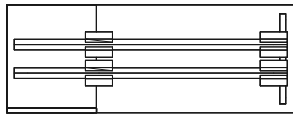
## *Floorstanding Applications*

18"D pedestals can be used under an 18"D return or under a 24"D desk top or return with 1 1/2" inset in front and 5" space at back.

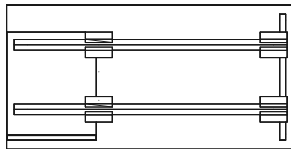
24"D pedestals can be used under 24"D tops flush with front and back, under 27"D tops with a 1 1/2" inset front and a 2" inset back, or under 30"D tops with a 1 1/2" inset front and 5" in back.

30"D pedestals can be used under 30"D tops, flush with front and back, or under 36"D tops with 1 1/2" in front and 5" in back.

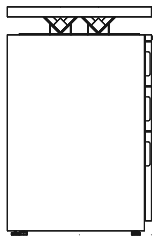
### 18" Deep Pedestal Applications



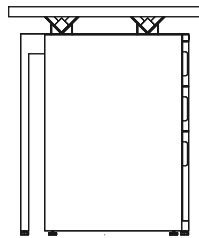
18"D Pedestal with 18"D Top in Plan



18"D Pedestal with 24"D Top in Plan

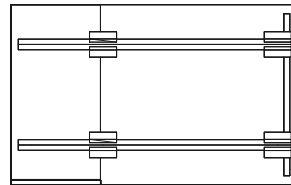


18"D Pedestal with 18"D Top End Elevation

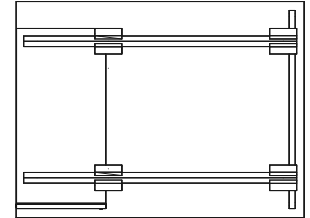


18"D Pedestal with 24"D Top End Elevation

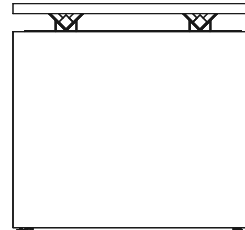
### 30" Deep Pedestal Applications



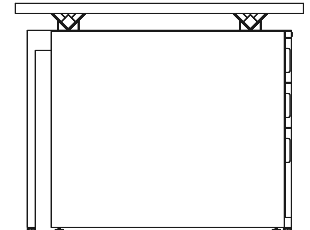
30"D Pedestal with 30"D Top in Plan



30"D Pedestal with 36"D Top in Plan

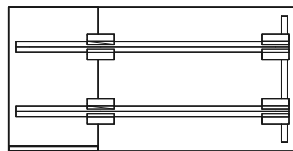


30"D Pedestal with 30"D Top End Elevation

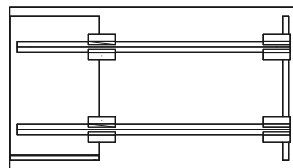


30"D Pedestal with 36"D Top End Elevation

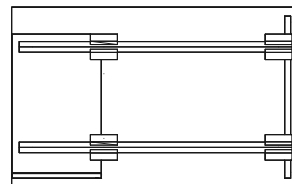
### 24" Deep Pedestal Applications



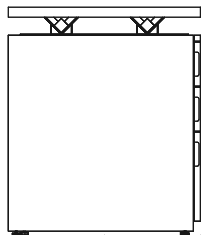
24"D Pedestal with 24"D Top in Plan



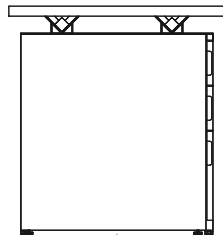
24"D Pedestal with 27"D Top in Plan



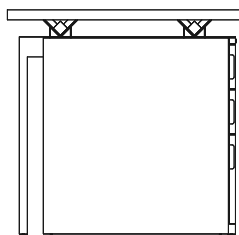
24"D Pedestal with 30"D Top in Plan



24"D Pedestal with 24"D Top End Elevation



24"D Pedestal with 27"D Top End Elevation

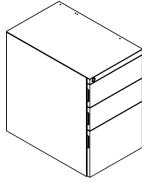


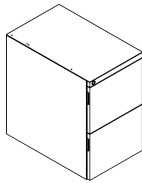
24"D Pedestal with 30"D Top End Elevation

# Pedestals

## Floorstanding

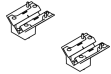
### 18", 24" and 30" Deep

description	type	w	d	h	pattern no.	list	Painted Fronts (P)	Laminate Fronts (L)	V1 Fronts (V)	V2 Fronts (V)	V3 Fronts (V)
	For Left 18" Deep Desk Mount	15"	17 1/2"	25"	<b>YSFBBF18L( )L</b>	\$0.	\$1,457.	\$1,566.	\$1,648.	\$1,698.	\$1,844.
	For Left 24" Deep Desk Mount	15"	23 1/2"	25"	<b>YSFBBF24L( )L</b>	0.	1,579.	1,638.	1,717.	1,767.	1,921.
	For Left 30" Deep Desk Mount	15"	29 1/2"	25"	<b>YSFBBF30L( )L</b>	0.	1,611.	1,670.	1,752.	1,799.	1,954.
	For Right 18" Deep Desk Mount	15"	17 1/2"	25"	<b>YSFBBF18R( )L</b>	0.	1,457.	1,566.	1,648.	1,698.	1,844.
	For Right 24" Deep Desk Mount	15"	23 1/2"	25"	<b>YSFBBF24R( )L</b>	0.	1,579.	1,638.	1,717.	1,767.	1,921.
	For Right 30" Deep Desk Mount	15"	29 1/2"	25"	<b>YSFBBF30R( )L</b>	0.	1,611.	1,670.	1,752.	1,799.	1,954.
	No holes on top 18" Deep	15"	17 1/2"	25"	<b>YSFBBF18N( )L</b>	0.	1,457.	1,566.	1,648.	1,698.	1,844.
	No holes on top 24" Deep	15"	23 1/2"	25"	<b>YSFBBF24N( )L</b>	0.	1,579.	1,638.	1,717.	1,767.	1,921.
	No holes on top 30" Deep	15"	29 1/2"	25"	<b>YSFBBF30N( )L</b>	0.	1,611.	1,670.	1,752.	1,799.	1,954.

	For Left 18" Deep Desk Mount	15"	17 1/2"	25"	<b>YSFFF18L( )L</b>	0.	1,247.	1,371.	1,431.	1,513.	1,660.
	For Left 24" Deep Desk Mount	15"	23 1/2"	25"	<b>YSFFF24L( )L</b>	0.	1,349.	1,428.	1,495.	1,581.	1,731.
	For Left 30" Deep Desk Mount	15"	29 1/2"	25"	<b>YSFFF30L( )L</b>	0.	1,382.	1,461.	1,712.	1,752.	1,825.
	For Right 18" Deep Desk Mount	15"	17 1/2"	25"	<b>YSFFF18R( )L</b>	0.	1,247.	1,371.	1,431.	1,513.	1,660.
	For Right 24" Deep Desk Mount	15"	23 1/2"	25"	<b>YSFFF24R( )L</b>	0.	1,349.	1,428.	1,495.	1,581.	1,731.
	For Right 30" Deep Desk Mount	15"	29 1/2"	25"	<b>YSFFF30R( )L</b>	0.	1,382.	1,461.	1,712.	1,752.	1,825.
	No holes on top 18" Deep	15"	17 1/2"	25"	<b>YSFFF18N( )L</b>	0.	1,247.	1,371.	1,431.	1,513.	1,660.
	No holes on top 24" Deep	15"	23 1/2"	25"	<b>YSFFF24N( )L</b>	0.	1,349.	1,428.	1,495.	1,581.	1,731.
	No holes on top 30" Deep	15"	29 1/2"	25"	<b>YSFFF30N( )L</b>	0.	1,382.	1,461.	1,712.	1,752.	1,825.

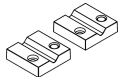
Floorstanding Pedestal Ballast/ Counterweight	For 18" or 30" Deep Pedestal				<b>YSFB18</b>	144.	0.	0.	0.	0.	0.
	For 24" Deep Pedestal				<b>YSFB24</b>	228.	0.	0.	0.	0.	0.

Pedestal Desk Support Adapters (pair)	For use with 25" High Pedestal	4"	3"	3"	<b>YBATE25</b>	107.	0.	0.	0.	0.	0.
---------------------------------------	--------------------------------	----	----	----	----------------	------	----	----	----	----	----



(YBATE25 shown)

Pedestal Positioning Brackets	Includes 2 brackets and hardware				<b>YSFA</b>	16.	0.	0.	0.	0.	0.
-------------------------------	----------------------------------	--	--	--	-------------	-----	----	----	----	----	----



#### Ordering Information

##### Floorstanding Pedestal

1. Pattern Number
2. Case Finish
3. Front Finish
4. Pull Type
5. Pull Finish

##### Pedestal Desk Support Adapters

1. Pattern Number
2. Paint Finish

#### Order Code

##### Floorstanding Pedestal

*Example:* YSFBBF24LPL, 118T, 118T, E, 118T

**YPFBBF** Box/Box/File Pedestal

**24** Depth

**L** Left Mount

**P** Painted Front

**L** Lock

**118T** Bright White Case

**118T** Bright White Front

**E** Edge Pull

**118T** Bright White Pull

#### Included With

##### Floorstanding Pedestal

Glides  
File Rails  
(24" and 30" Deep Only)

Desk adapter brackets and pencil trays sold separately.

##### Pedestal Desk Support Adapters Hardware

##### Lock Options:

To specify a floorstanding pedestal without a lock, replace the "L" suffix in the pattern number with an "N".

#### Options

##### Floorstanding

##### Drawer Front Finish Options:

(P)=Painted  
(L)=Laminate  
(V)=Veneer

##### Drawer Front Pull Options:

(E)=Edge Pull  
(I)=Insert Pull  
(O)=Loop Pull

Add \$40 to the list price when a pull is specified with a painted finish.

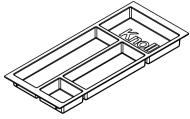
See planning guide page for drawer pull finish options.

# Pedestals

## Floorstanding

### 18", 24" and 30" Deep

description	type	w	d	h	pattern no.	list
Pencil Tray	Black Finish	13 1/4"	5 7/8"	7/8"	<b>YAPT</b> N	\$45.
	Clear Finish	13 1/4"	5 7/8"	7/8"	<b>YAPT</b> C	52.



#### Ordering Information

##### Floorstanding Pedestal

1. Pattern Number
2. Case Finish
3. Front Finish
4. Pull Type
5. Pull Finish

##### Pedestal Desk Support Adapters

1. Pattern Number
2. Paint Finish

#### Order Code

##### Floorstanding Pedestal

*Example:* YSFBBF24LPL, 118T, 118T, E, 118T

**YPFBBF** Box/Box/File Pedestal

**24** Depth

**L** Left Mount

**P** Painted Front

**L** Lock

**118T** Bright White Case

**118T** Bright White Front

**E** Edge Pull

**118T** Bright White Pull

#### Included With

##### Floorstanding Pedestal

Glides  
File Rails  
(24" and 30" Deep Only)

Desk adapter brackets and pencil trays sold separately.

##### Pedestal Desk Support Adapters

Hardware

##### Lock Options:

To specify a floorstanding pedestal without a lock, replace the "L" suffix in the pattern number with an "N".

#### Options

##### Floorstanding

##### Drawer Front Finish Options:

(P)=Painted  
(L)=Laminate  
(V)=Veneer

##### Drawer Front Pull Options:

(E)=Edge Pull  
(I)=Insert Pull  
(O)=Loop Pull

Add \$40 to the list price when a pull is specified with a painted finish.

See planning guide page for drawer pull finish options.

# Pedestals

## *Floorstanding and Freestanding Double Wide Planning Guidelines and Specifications*

### Freestanding Double Wide Pedestals

Antenna Data/File and File/File double wide pedestals are 30" or 36" wide, sized to fit below or connect to Antenna desk support rails.

Double wide pedestals are available without any holes on top for entirely freestanding applications, or when using YSFA positioning bracket on top to hold a freestanding file/file pedestal in position under desk rails.

Ballast kit is required in all freestanding applications.

### Floorstanding Double Wide Pedestals

Antenna File/File Double wide pedestals are just 25" high, and can take the place of a leg by using bracket kit YBAW25, and appropriate ballast, to support one end of a desk or return top 18" or 24" deep. Floorstanding pedestals are specified with pre-drilled attachment positions on either the right or left side of the top of the cabinet. For 27" or deeper tops an end leg should be specified next to a freestanding pedestal.

All double wide pedestals include an interlock to prevent both drawers from opening at the same time.

Ballast kits are required for stability of pedestal-supported freestanding credenzas, but are not required where other end of top is connected to Fence or perpendicular desk. Ballast kits are available in specific weights for each pedestal width.

### Construction

Double wide pedestals include steel surround with no seams at back corners, flat steel top, full extension drawer slides and 3" leveling glides. Steel top is specified to have holes for adapter kit to mount to 18" or 24" depth top or to have no holes for freestanding applications.

File drawers in 30" wide cabinets are actual 27" wide x 15" deep. File drawers in 36" wide cabinets are actual 33" wide x 15"D. All double wide pedestals include four front to back file support rails for letter or legal suspended file folders.

Actual case widths are 30" and 36" and depths are 17 1/2". File/file case height is 24"; Data/file case height is 20". Starting point for glides is typically 1" extension, with up to 1 1/2" additional leveling available.

Metal pedestals are available in painted steel case with painted wood, laminate or veneer fronts.

### Specification Options

Specify planning application for attachment to 18" or 24" deep top (18 or 24) or freestanding (N).

Front is available painted (P), laminate (L) or veneer (V).

Pedestals can be locking (L) or without lock (N).

Case is available in any Knoll Core paint finish.

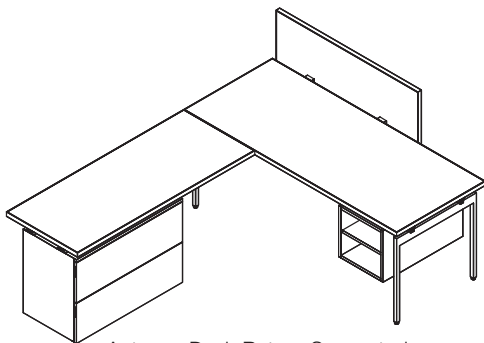
Drawer fronts may be specified in any Knoll Core paint, laminate or veneer finish.

Specify pull type: Edge (E), Insert (I) or Loop (O).

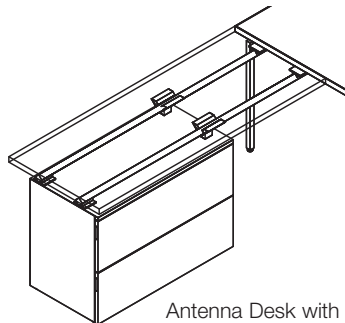
Edge pulls are available in any Knoll Core paint finish, Dark Red, Slate Blue or in Chrome (PD). Loop pulls are available in any Knoll Core paint finish, Dark Red or Slate Blue.

Insert pulls are available in Chrome (PD) only.

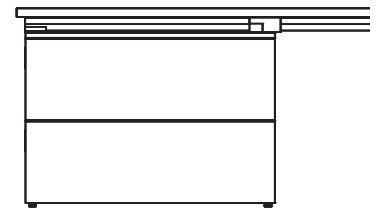
Desk support adapters and pedestal positioning brackets are available in any Knoll Core paint finish, Dark Red or Slate Blue.



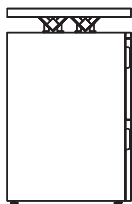
Antenna Desk Return Supported by Double Wide Pedestal



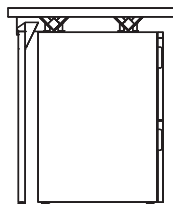
Antenna Desk with Double Wide Pedestal



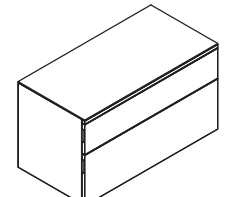
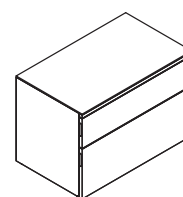
Double Wide Pedestal Front Elevation



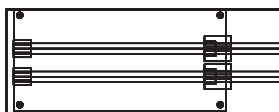
18"D Double Wide Pedestal with 18"D Top End Elevation



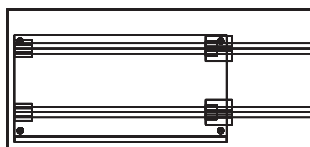
18"D Double Wide Pedestal with 24"D Top End Elevation



Data/File Double Wide Pedestal, 30" or 36"



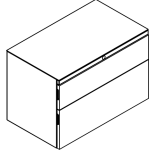
18"D Double Wide Pedestal with 18"D Top in Plan



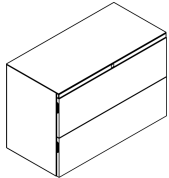
18"D Double Wide Pedestal with 24"D Top in Plan

*Floorstanding and Freestanding Double Wide  
30" or 36" Wide*

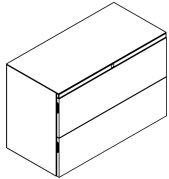
description	type	w	d	h	pattern no.	list	Painted Fronts (P)	Laminate Fronts (L)	V1 Fronts (V)	V2 Fronts (V)	V3 Fronts (V)
Freestanding Data/File Double Wide Pedestals	For use with Counterweight	30"	17 1/2"	21"	<b>YSFWDF30N( )L</b>	n/a	\$1,882.	\$2,030.	\$2,220.	\$2,381.	\$2,707.
	For use with Counterweight	36"	17 1/2"	21"	<b>YSFWDF36N( )L</b>	n/a	2,117.	2,294.	2,519.	2,719.	3,106.



Freestanding File/File Double Wide Pedestals	For use with Counterweight	30"	17 1/2"	25"	<b>YSFWFF30N( )L</b>	n/a	2,036.	2,194.	2,401.	2,578.	2,925.
	For use with Counterweight	36"	17 1/2"	25"	<b>YSFWFF36N( )L</b>	n/a	2,291.	2,482.	2,725.	2,939.	3,359.



Floorstanding Desk Support File/File Double Wide Pedestals	30"W For use with 18" Deep Top	30"	17 1/2"	25"	<b>YSFWFF3018( )L</b>	n/a	2,036.	2,194.	2,401.	2,578.	2,925.
	30"W For use with 24" Deep Top	30"	17 1/2"	25"	<b>YSFWFF3024( )L</b>	n/a	2,036.	2,194.	2,401.	2,578.	2,925.
	36"W For use with 18" Deep Top	36"	17 1/2"	25"	<b>YSFWFF3618( )L</b>	n/a	2,291.	2,482.	2,725.	2,939.	3,359.
	36"W For use with 24" Deep Top	36"	17 1/2"	25"	<b>YSFWFF3624( )L</b>	n/a	2,291.	2,482.	2,725.	2,939.	3,359.

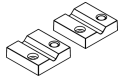
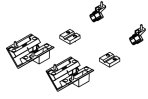


Ordering Information	Order Code	Included With	Options
<b>Floorstanding Pedestal</b> 1. Pattern Number 2. Case Finish 3. Front Finish 4. Pull Type 5. Pull Finish	<b>Floorstanding Pedestal</b> <i>Example:</i> YSFWFF3018PL, 118T, 118T, E, 118T <hr/> <b>YSFWFF</b> File/File Double Wide Pedestal <hr/> <b>30</b> Width <hr/> <b>18</b> Top Depth <hr/> <b>P</b> Painted Front <hr/> <b>L</b> Lock <hr/> <b>118T</b> Bright White Case <hr/> <b>118T</b> Bright White Front <hr/> <b>E</b> Edge Pull <hr/> <b>118T</b> Bright White Pull	<b>Floorstanding Pedestal</b> Glides File Rails  Desk adapter brackets and pencil trays sold separately.  <b>Double Wide Pedestal                      Desk Support Adapters</b> Hardware  <b>Lock Options:</b> To specify a floorstanding pedestal without a lock, replace the "L" suffix in the pattern number with an "N".	<b>Floorstanding</b>  <b>Drawer Front Finish Options:</b> (P)=Painted (L)=Laminate (V)=Veneer  <b>Drawer Front Pull Options:</b> (E)=Edge Pull (I)=Insert Pull (O)=Loop Pull  Add \$40 to the list price when a pull is specified with a painted finish.  See planning guide page for drawer pull finish options.

# Pedestals

## *Floorstanding and Freestanding Double Wide Pedestal Accessories*

description	type	w	d	h	pattern no.	list
Double Wide Pedestal	For 30" Wide Pedestal				<b>YSFWB30</b>	\$366.
Ballast/Counterweight	For 36" Wide Pedestal				<b>YSFWB36</b>	440.
Double Wide Pedestal Desk Support Adapters (pair)	For use with Double Wide Pedestal	4"	3"	3"	<b>YBAW25</b>	138.
Pedestal Positioning Brackets	Includes 2 brackets and hardware				<b>YSFA</b>	16.



Ordering Information	Order Code	Included With	Options
<b>Floorstanding Pedestal</b> 1. Pattern Number 2. Case Finish 3. Front Finish 4. Pull Type 5. Pull Finish	<b>Floorstanding Pedestal</b> <i>Example:</i> YSFWFF3018PL, 118T, 118T, E, 118T <b>YSFWFF</b> File/File Double Wide Pedestal	<b>Floorstanding Pedestal</b> Glides File Rails Desk adapter brackets and pencil trays sold separately.	<b>Floorstanding</b> <b>Drawer Front Finish Options:</b> (P)=Painted (L)=Laminate (V)=Veneer
<b>Double Wide Pedestal Desk Support Adapters</b> 1. Pattern Number 2. Paint Finish	<b>30</b> Width <b>18</b> Top Depth <b>P</b> Painted Front <b>L</b> Lock <b>118T</b> Bright White Case <b>118T</b> Bright White Front <b>E</b> Edge Pull <b>118T</b> Bright White Pull	<b>Double Wide Pedestal Desk Support Adapters</b> Hardware <b>Lock Options:</b> To specify a floorstanding pedestal without a lock, replace the "L" suffix in the pattern number with an "N".	<b>Drawer Front Pull Options:</b> (E)=Edge Pull (I)=Insert Pull (O)=Loop Pull Add \$40 to the list price when a pull is specified with a painted finish. See planning guide page for drawer pull finish options.



# Pedestals

## Mobile

### Planning Guidelines and Specifications

#### Mobile Pedestals

Mobile pedestals offer flexibility in location, and include locking casters for stability where located. Metal pedestals are available in painted steel case with painted wood, laminate or veneer fronts. Mobile pedestals may be specified with flat steel top or without a top, for use with optional seat pad tops.

Mobile pedestals are available in combination of one 7"H data file drawer, and one 11"H standard suspended file drawer with a "fifth wheel" for stability. Data drawer can support Knoll universal pencil tray (specified separately) and is tall enough to contain DVD "jewel" cases vertically.

Pencil trays can be specified along with pedestals. The five section pencil tray rides on drawer sides of box or file drawers.

Seat cushions are specified separately for mobile pedestals with an open top. Seat cushions are upholstered from the front to the back of the pedestal with the fabric direction matching the textile sample.

#### Construction

Mobile pedestals include full painted steel surround with no seams at back corners, full extension file drawer slides and ¾ extension data drawer slides, two locking and two non-locking 1 ½" diameter casters, plus caster under file drawer. Actual case height is 20" and stands 2" above the floor. Actual case width is 15" and depths are 17 ½" or 23 ½".

File drawer on 18"D mobile pedestals are 12"W x 15"D and support letter or legal suspended file folders.

File drawer on 24"D mobile pedestals are 12"W x 21"D and include a divider to enable full depth letter or side to side legal suspended filing

Data drawers are 6"H x 12"W x 15" or 21"D.

Pencil trays are plastic injection molded construction, 13 ¼" wide, 5-7/16" deep and 7/8" high.

#### Specification Options

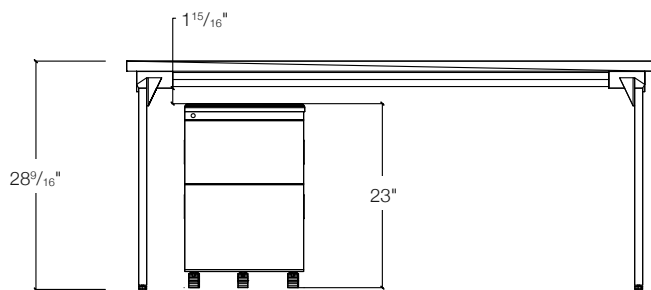
Front is available either painted (P), laminate (L) or veneer (V). Pedestals include lock (L) on upper left corner of pedestal to facilitate moving pedestal.

Case is available in any Knoll Core paint finish. Drawer fronts may be specified in any Knoll Core paint, laminate or veneer finish.

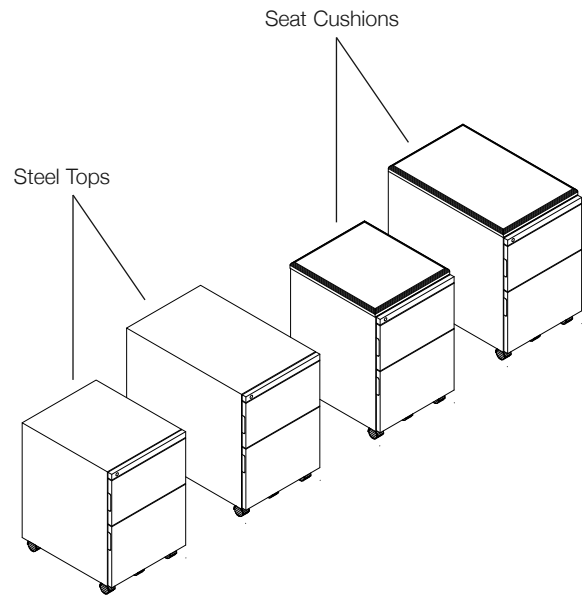
Specify pull type: Edge (E), Insert (I) or Loop (O). Edge pulls are available in any Knoll Core paint finish, Dark Red, Slate Blue or in Chrome (PD). Loop pulls are available in any Knoll Core paint finish, Dark Red or Slate Blue. Insert pulls are available in Chrome (PD).

Seat cushions may be specified in any Antenna approved textile. For Customers Own Material (COM) applications, specify .75 yards of fabric for 17" deep mobile pedestal seat cushion, and .90 yards for 23" deep seat cushion.

Pencil trays are available in either a black or clear finish.



Antenna Desk with Mobile Pedestal Elevation



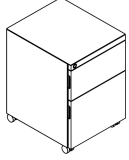
Mobile Pedestal Options

# Pedestals

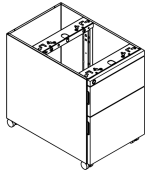
## Mobile

### 18" and 24" Deep

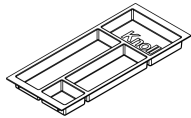
description	type	w	d	h	pattern no.	list	Painted Fronts (P)	Laminate Fronts (L)	V1 Fronts (V)	V2 Fronts (V)	V3 Fronts (V)
Mobile Personal/File Pedestals, Full Top	18" Deep Pedestal	15"	18"	22"	<b>YSMPDF18( )L</b>	\$0.	\$1,226.	\$1,369.	\$1,449.	\$1,549.	\$1,612.
	24" Deep Pedestal	15"	24"	22"	<b>YSMPDF24( )L</b>	0.	1,391.	1,428.	1,663.	1,765.	1,833.



Mobile Personal/File Pedestals, Open Top for Seat Pad	18" Deep Pedestal	15"	18"	22"	<b>YSMOPDF18( )L</b>	0.	1,164.	1,304.	1,410.	1,509.	1,569.
	24" Deep Pedestal	15"	24"	22"	<b>YSMOPDF24( )L</b>	0.	1,311.	1,346.	1,613.	1,713.	1,784.



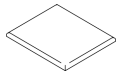
Pencil Tray		w	d	h	pattern no.	list	Painted Fronts (P)	Laminate Fronts (L)	V1 Fronts (V)	V2 Fronts (V)	V3 Fronts (V)
	Black Finish	13 1/4"	5 7/8"	7/8"	<b>YAPT</b>	45.	0.	0.	0.	0.	0.
	Clear Finish	13 1/4"	5 7/8"	7/8"	<b>YAPTC</b>	52.	0.	0.	0.	0.	0.



Ordering Information	Order Code	Included With	Options
<b>Mobile Pedestal</b> 1. Pattern Number 2. Case Finish 3. Front Finish 4. Pull Type 5. Pull Finish	<b>Mobile Pedestal</b>  <i>Example:</i> YSMPDF18PL, 118T, 118T, E, 118T  <b>YSMPDF</b> Personal/File Pedestal <b>18</b> Depth <b>P</b> Painted Front <b>L</b> Lock <b>118T</b> Bright White Painted Case <b>118T</b> Bright White Painted Front <b>E</b> Edge Pull <b>118T</b> Bright White Painted Pull	<b>Mobile Pedestal</b> (5) Casters File Rails (24" and 30" Deep Only)  Specify seat pad for open top mobile pedestal separately.  Pencil trays sold separately.	<b>Mobile Pedestal</b>  <b>Drawer Front Finish Options:</b> (P)=Painted (L)=Laminate (V)=Veneer  <b>Drawer Front Pull Options:</b> (E)=Edge Pull (I)=Insert Pull (O)=Loop Pull  Add \$40 to the list price when a pull is specified with a painted finish.  See planning guide page for drawer pull finish options.  <b>Lock Options:</b> To specify a floorstanding pedestal without a lock, replace the "L" suffix in the pattern number with an "N".

Pedestals  
*Seat Cushions*  
*18" and 24" Deep*

description	type	w	d	h	pattern no.	A	B	C	D	E	F	G	H	I
Seat Cushions	For 18" Deep Mobile Pedestal	15"	17"	1"	<b>YSSPAD</b>	\$222.	\$258.	\$293.	\$308.	\$326.	\$361.	\$394.	\$448.	\$464.
	For 24" Deep Mobile Pedestal	15"	23"	1"	<b>YSDPAD</b>	274.	308.	361.	377.	412.	448.	497.	549.	569.



**Ordering Information**

**Seat Cushions**

1. Pattern Number
2. Fabric Finish

**Order Code**

**Seat Cushions**

*Example:* **YSSPAD, W1077**

**YS** Storage

**S** 18" Deep

**PAD** Cushion

**W1077** Element

**Included With**

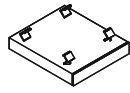
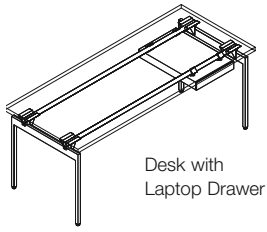
**Seat Cushions**

**Options**

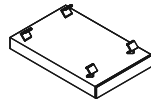
**Seat Cushions**

For CAL133 backing on the cushion, add \$79 to the list price.

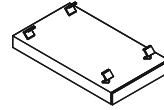
**Laptop Drawer**



21" Deep  
(24" or 27" Deep Top)

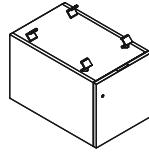


27" Deep  
(30" Deep Top)

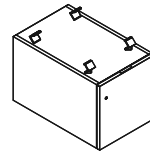


30" Deep  
(36" Deep Top)

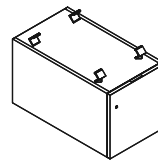
**Suspended Wood Files**



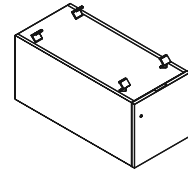
24" Deep Desk



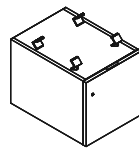
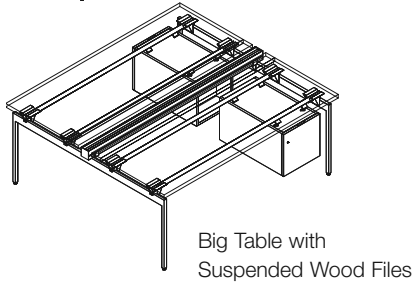
27" Deep Desk



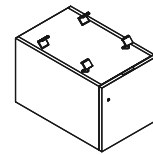
30" Deep Desk



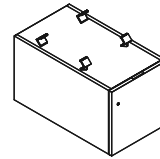
36" Deep Desk



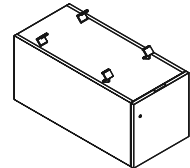
24" Deep Big Table



27" Deep Big Table

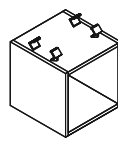
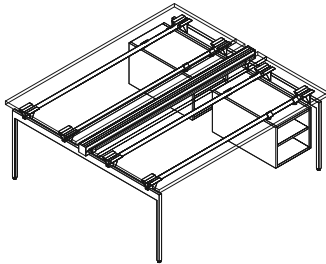
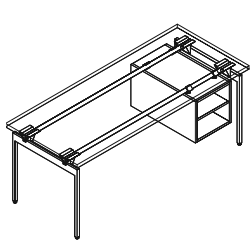


30" Deep Big Table

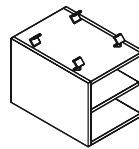


36" Deep Big Table

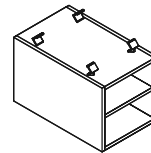
**Suspended Open Cabinet with Front and Back Access**



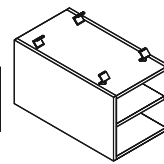
18" Deep



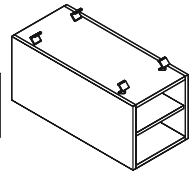
24" Deep



27" Deep

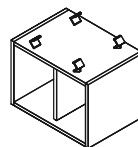
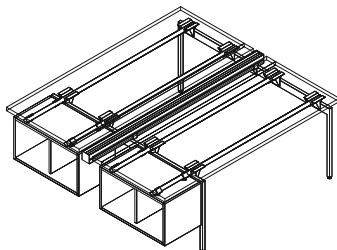
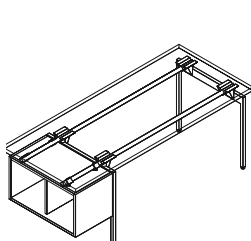


30" Deep

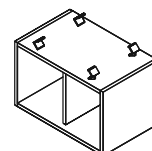


36" Deep

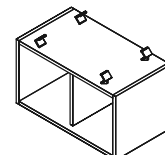
**Suspended Open Cabinet with Side Access**



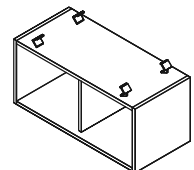
24" Deep



27" Deep

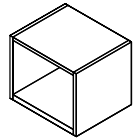
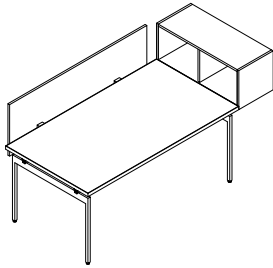


30" Deep

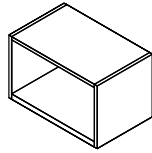


36" Deep

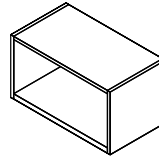
## Desk Extension Cabinets



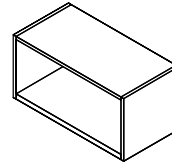
Above Desk  
Extension Cabinet  
18" Deep



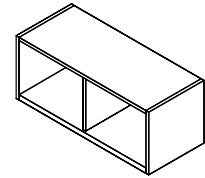
Above Desk  
Extension Cabinet  
24" Deep



Above Desk  
Extension Cabinet  
27" Deep

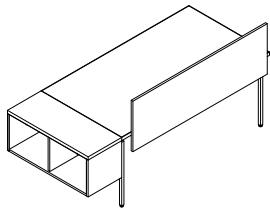


Above Desk  
Extension Cabinet  
30" Deep

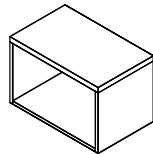


Above Desk  
Extension Cabinet  
36" Deep

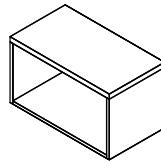
Above Desk Extension  
Cabinet Front



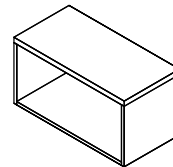
Below Desk Extension  
Cabinet Back



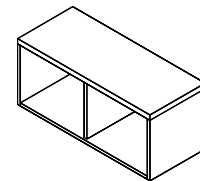
Below Desk  
Extension Cabinet  
24" Deep



Below Desk  
Extension Cabinet  
27" Deep

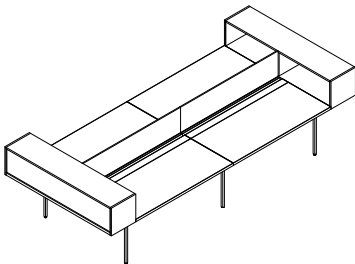


Below Desk  
Extension Cabinet  
30" Deep

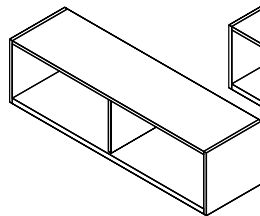


Below Desk  
Extension Cabinet  
36" Deep

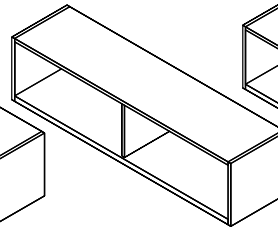
## Big Table Extension Cabinets



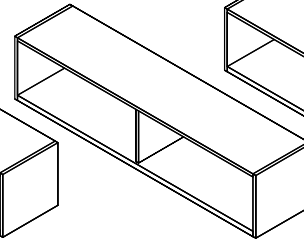
Above Desk Extension  
Cabinets for Big Table



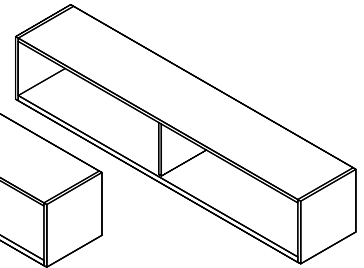
Above Big Table Extension  
Cabinet  
24" Deep Dual Big Table



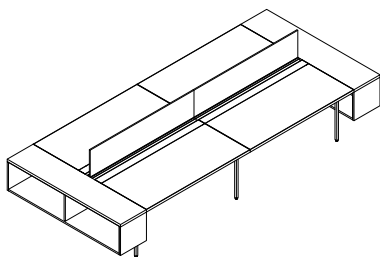
Above Big Table  
Extension Cabinet  
27" Deep Dual Big Table



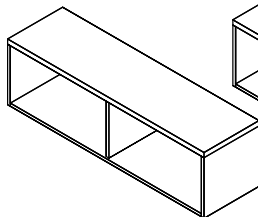
Above Big Table  
Extension Cabinet  
30" Deep Dual Big Table



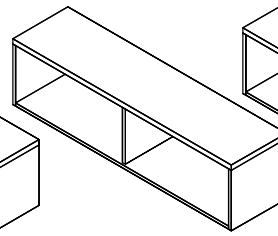
Above Big Table  
Extension Cabinet  
36" Deep Dual Big Table



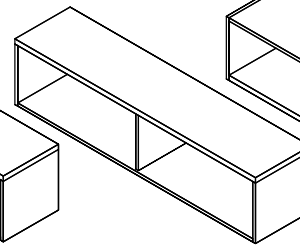
Below Desk Extension  
Cabinets for Big Table



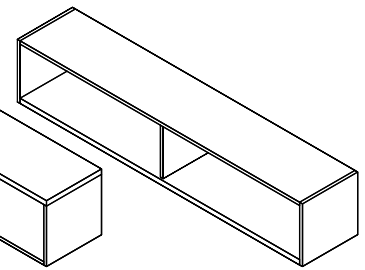
Below Big Table  
Extension Cabinet  
24" Deep Dual Big Table



Below Big Table  
Extension Cabinet  
27" Deep Dual Big Table



Below Big Table  
Extension Cabinet  
30" Deep Dual Big Table



Below Big Table  
Extension Cabinet  
36" Deep Dual Big Table

# Laptop Drawer

## Planning Guidelines and Specifications

The laptop drawer is a 2 1/2" high secure storage drawer for laptops, small personal items or electronics.

It is 15" wide and either 21" deep for use under 24" or 27" deep tops, or 27" deep for use under 30" deep tops, or 30" deep for use under 36" deep tops. It includes brackets for suspension from desk top rails. The drawer interior is 12 3/8" wide x 16 3/4" deep x 2 3/8" high and features two 2" diameter, lined cable grommets in the drawer bottom. Laptop drawers have a lock.

Laptop drawers can be mounted anywhere under desk or big table rails, as close as 3" to the inside face of a leg or directly adjacent to the outside face of a leg.

An optional drawer pad is available for the bottom of the drawer, providing a quiet, resilient surface for stored electronics. The recycled leather pad may be specified with grommets that correspond to the grommets in the drawer bottom or without grommets to cover the grommets in the drawer bottom.

An optional cable net is recommended to manage power cords from the drawer bottom to the back of a laptop drawer case. The net is a flexible open weave construction with a perimeter elastic cord to maintain the shape. The net is fastened to the underside of the laptop drawer case with screws.

Pencil trays can be specified separately for use in a laptop drawer. The five section pencil tray rides on the sides of a laptop drawer.

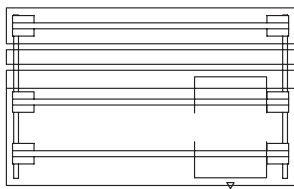
### Construction

The laptop drawer has a steel top enclosure 21" or 27" or 30" deep and full extension 19"D drawer slides. The cable net is made of Polypropylene Net with Nylon. The drawer pad is 1.15mm thick Novous Black recycled leather.

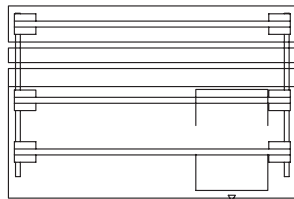
Pencil trays are plastic injection molded construction, 13 1/4" wide, 5 7/16" deep and 7/8" high.

### Specification Options

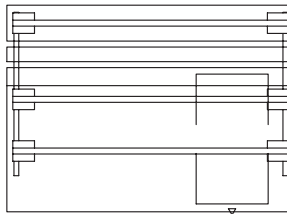
Specify laptop drawer in any Knoll Core paint finish. Drawer pad and net are black. Pencil trays are available in a black or clear finish.



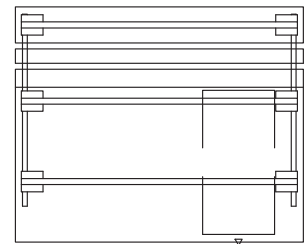
24"D Top with 21" D Laptop  
Drawer Plan View



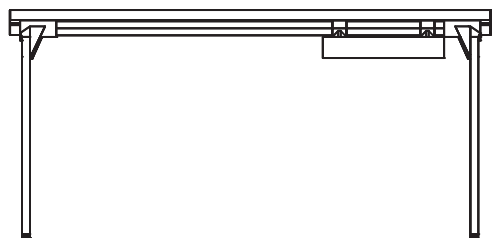
27"D Top with 21" D Laptop  
Drawer Plan View



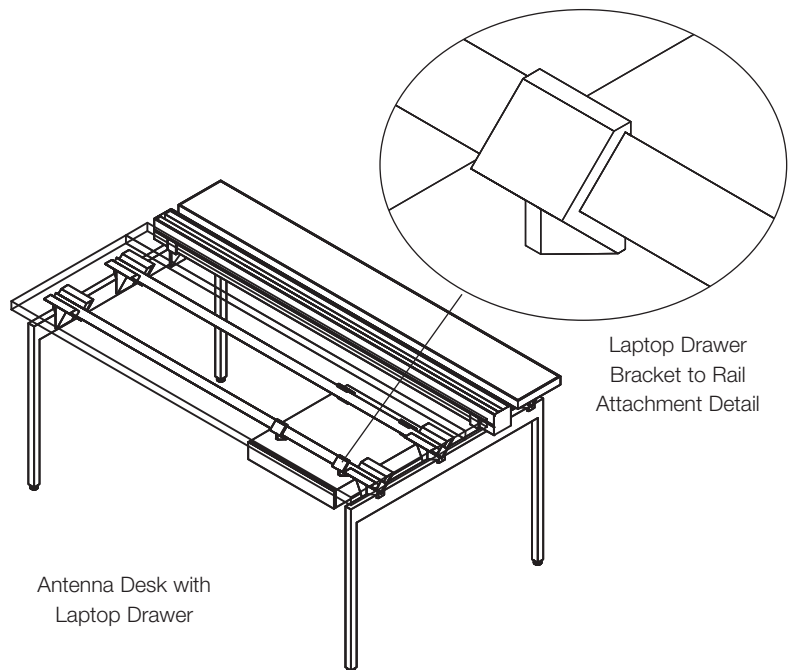
30"D Top with 27" D Laptop  
Drawer Plan View



36"D Top with 30" D Laptop  
Drawer Plan View



Antenna Desk with Laptop Drawer  
Front Elevation View

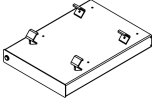
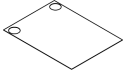
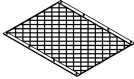
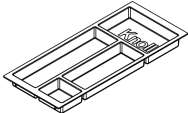


Antenna Desk with  
Laptop Drawer

Laptop Drawer  
Bracket to Rail  
Attachment Detail

# Laptop Drawer

## 15" Wide

description	type	w	d	h	pattern no.	list
	For Use With 24" or 27" Deep Desk or Big Table	15"	21"	3 1/2"	<b>YSAD21</b>	\$1,047.
	For Use With 30" Deep Desk or Big Table	15"	27"	3 1/2"	<b>YSAD27</b>	1,095.
	For Use With 36" Deep Desk or Big Table	15"	30"	3 1/2"	<b>YSAD30</b>	1,276.
Drawer Pad (with grommet shown) 	For Use With a Laptop Drawer w/o a Grommet				<b>YSADPADN</b>	92.
	For Use With a Laptop Drawer With a Grommet				<b>YSADPADG</b>	92.
Cable Net 	For Use With 21" Deep Laptop Drawer				<b>YSAD21NET</b>	48.
	For Use With 27" D or 30"D Laptop Drawer				<b>YSAD27NET</b>	61.
Pencil Tray 	Black Finish	13 1/4"	5 7/8"	7/8"	<b>YAPTN</b>	45.
	Clear Finish	13 1/4"	5 7/8"	7/8"	<b>YAPTC</b>	52.

### Ordering Information

#### Laptop Drawer

1. Pattern Number
2. Paint Finish

#### Drawer Pad/Cable Net

1. Pattern Number

### Order Code

#### Laptop Drawer

*Example:* **YSAD21, 118T**

<b>YS</b>	Storage
<b>AD</b>	Drawer
<b>21</b>	Depth
<b>118T</b>	Bright White Paint

#### Drawer Pad

*Example:* **YSADPADG**

<b>YS</b>	Storage
<b>AD</b>	Drawer
<b>PAD</b>	Pad
<b>G</b>	With Grommet

### Included With

#### Laptop Drawer

Brackets  
Hardware

Drawer pad, cable net and pencil tray are specified separately from laptop drawer.

### Options

#### Laptop Drawer

Laptop drawers have grommets in the bottom of the drawer and are always locking.

# Suspended Storage

## Wood Files

### Planning Guidelines and Specifications

#### Suspended Wood File

The suspended wood file combines personal storage and filing in a single unit. Suspended wood files attach to 24", 27", 30" or 36" deep desks or big tables. This wood construction cabinet suspends from desk or big table rails and includes a standard letter by legal file drawer. The full file front is 15" x 15" and mounted to a full extension file drawer. The personal drawer is 1" high with independent slides accessible behind the file drawer front.

Suspended wood files can be specified in all laminate or veneer, laminate with veneer front, or mixed surface laminate: "Interior" of laminate open back storage area can be specified in a contrasting core or "pop" laminate.

Cabinets must be specified 3" less than the top depth, inset 1 1/2" from front and back. Cabinet is divided by a vertical partition 18" from the front, and an open shelf storage area in the remaining 3" of a 24"D file, 6" of a 27"D file and 12" of a 33"D file.

File can be mounted to desk rails in the space "outside" a desk end leg inset 15", if the other end of a top is stabilized by being connected to Fence or a perpendicular desk. Suspended file cabinets should be mounted between table desk end legs for freestanding desk applications. Desk rails should be connected to a cantilevered top by YCBDE rail end to top supports.

Suspended file can be ordered with or without a lock in the drawer face and it includes hanger brackets.

Suspended wood files do not accept pencil trays.

#### Construction

Case is composed of 3/4" thick wood panels, with discreet glue-and-dowel connections

#### Specification Options

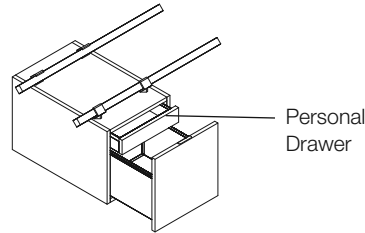
Specify laminate (L), "mixed" two-tone laminate or laminate case with veneer front (M) or veneer (V) case. Wood files are available either locking (L) or non-locking (N).

Case finish exterior is available in any Knoll Core laminate or veneer. When the case exterior is laminate, case interior and inset back are available in any Knoll Core or Accent laminate. When an Accent laminate is specified, the edgeband will match the exterior core laminate finish. When case exterior is specified laminate, specify drawer front finish in any Knoll Core laminate (L) or veneer (V).

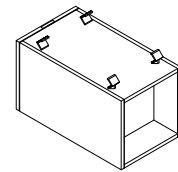
Specify pull type: Edge (E), Insert (I) or Loop (O). Edge pulls are available in any Knoll Core paint finish, Dark Red, Slate Blue or in Chrome (PD). Loop pulls are available in any Knoll Core paint finish, Dark Red or Slate Blue. Insert pulls are available in Chrome (PD).

Suspension brackets may be specified in any Knoll Core paint finish, Dark Red or Slate Blue.

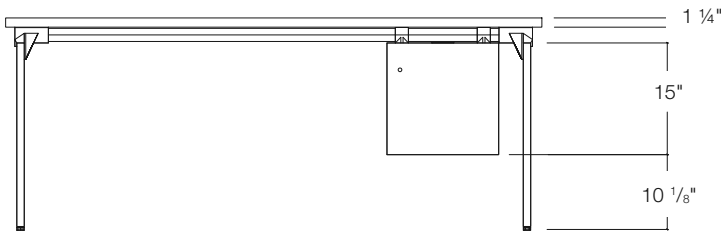
Case Sizes	Back
21"D for 24"D top	Flush back only
24"D for 27"D top	3"D shelf, binder height
27"D for 30"D top	6"D shelf, binder height
33"D for 36"D top	12"D shelf, binder height



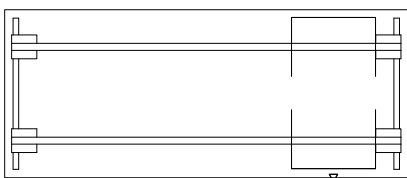
Suspended Wood File, Front View



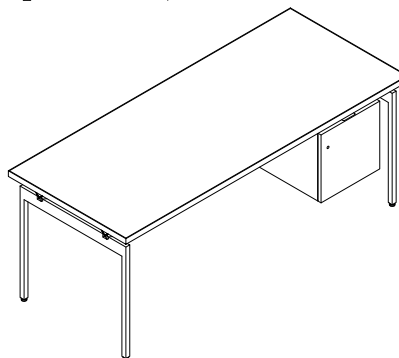
Suspended Wood File, Back View



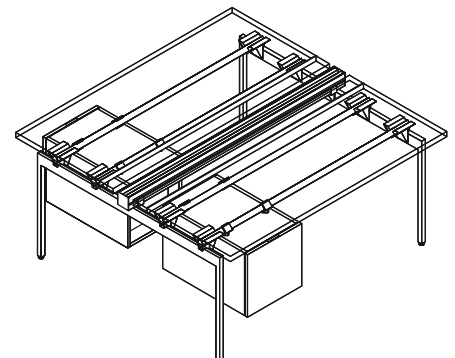
Desk with Suspended Wood File Front Elevation



Desk with Suspended Wood File Plan View



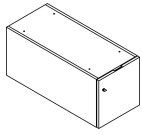
Desk with Suspended Wood File

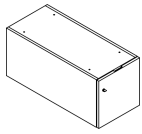


Big Table with Suspended Wood Files



# Suspended Storage Laminate Wood File 15" Wide

description	type	w	d	h	pattern no.	All Same	Different	Different	Laminate	Laminate	Laminate
						Laminate (Core Lam.) (L)	Laminate Case/ Interior/Front (Core Lam.) (L)	Laminate Case/ Interior/Front (Accent Lam.) (L)			
 Suspended Laminate Wood Files For Use With Desks	For 24" Deep Top	15"	21"	15"	<b>YSSPF21( )L</b>	\$1,630.	n/a	n/a	\$1,794.	\$1,875.	\$1,957.
	For 27" Deep Top	15"	24"	15"	<b>YSSPF24( )L</b>	1,695.	1,864.	2,200.	1,864.	1,948.	2,031.
	For 30" Deep Top	15"	27"	15"	<b>YSSPF27( )L</b>	1,755.	1,930.	2,284.	1,930.	2,019.	2,108.
	For 36" Deep Top	15"	33"	15"	<b>YSSPF33( )L</b>	1,820.	2,001.	2,365.	2,001.	2,091.	2,182.

 Suspended Laminate Wood Files For Use With Big Tables	For 24" Deep Top	15"	21"	15"	<b>YSSPF21( )L</b>	1,630.	n/a	n/a	1,794.	1,875.	1,957.
	For 27" Deep Top	15"	24"	15"	<b>YSSPF24B( )L</b>	1,695.	1,864.	2,200.	1,864.	1,948.	2,031.
	For 30" Deep Top	15"	27"	15"	<b>YSSPF27B( )L</b>	1,755.	1,930.	2,284.	1,930.	2,019.	2,108.
	For 36" Deep Top	15"	33"	15"	<b>YSSPF33B( )L</b>	1,820.	2,001.	2,365.	2,001.	2,091.	2,182.

## Ordering Information

### Suspended Wood File

1. Pattern Number
2. Exterior Case Finish
3. Interior Case Finish (Laminate only)
4. Drawer Front Finish
5. Pull Type
6. Pull Finish
7. Bracket Paint Finish

## Order Code

### Suspended Wood File

*Example:* **YSSPF24LL, 118, 118, 118, E, 118T, 118T**

<b>YSSPF</b>	Suspended Wood File
<b>24</b>	Depth
<b>L</b>	Laminate
<b>L</b>	Lock
<b>118</b>	Bright White Laminate Exterior
<b>118</b>	Bright White Laminate Interior
<b>118</b>	Bright White Laminate Front
<b>E</b>	Edge Pull
<b>118T</b>	Bright White Painted Pull
<b>118T</b>	Bright White Painted Brackets

## Included With

### Suspended Wood File

Brackets  
Hardware

## Options

### Suspended Wood File

#### Case and Front Finish Options:

(L) = All the same laminate or different laminates for the exterior case, interior case and/or drawer front  
(M) = Laminate case with a veneer front

#### Drawer Front Pull Options:

(E) = Edge Pull  
(I) = Insert Pull  
(O) = Loop Pull

See planning guide page for drawer pull finish options.

#### Lock Options:

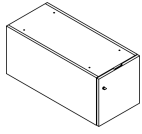
To specify a suspended wood file cabinet without a lock, replace the "L" suffix in the pattern number with an "N".

# Suspended Storage

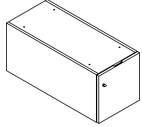
## Veneer Wood File

### 15" Wide

description	type	w	d	h	pattern no.	All V1	All V2	All V3
Suspended Veneer Wood Files For Use With Desks	For 24" Deep Top	15"	21"	15"	<b>YSSPF21VL</b>	\$2,446.	\$2,814.	\$3,655.
	For 27" Deep Top	15"	24"	15"	<b>YSSPF24VL</b>	2,541.	2,920.	3,797.
	For 30" Deep Top	15"	27"	15"	<b>YSSPF27VL</b>	2,633.	3,028.	3,938.
	For 36" Deep Top	15"	33"	15"	<b>YSSPF33VL</b>	2,663.	3,065.	3,984.



Suspended Veneer Wood Files For Use With Big Tables	For 24" Deep Top	15"	21"	15"	<b>YSSPF21BVL</b>	2,446.	2,814.	3,655.
	For 27" Deep Top	15"	24"	15"	<b>YSSPF24BVL</b>	2,541.	2,920.	3,797.
	For 30" Deep Top	15"	27"	15"	<b>YSSPF27BVL</b>	2,633.	3,028.	3,938.
	For 36" Deep Top	15"	33"	15"	<b>YSSPF33BVL</b>	2,663.	3,065.	3,984.



#### Ordering Information

##### Suspended Wood File

1. Pattern Number
2. Case and Drawer Front Finish
3. Pull Type
4. Pull Finish
5. Bracket Paint Finish

#### Order Code

##### Suspended Wood File

*Example:* **YSSPF24VL, Y316, E, 118T, 118T**

<b>YSSPF</b>	Suspended Wood File
<b>24</b>	Depth
<b>V</b>	Veneer
<b>L</b>	Lock
<b>Y316</b>	Maple Veneer
<b>E</b>	Edge Pull
<b>118T</b>	Bright White Painted Pull
<b>118T</b>	Bright White Painted Brackets

#### Included With

**Suspended Wood File**  
Brackets  
Hardware

#### Options

##### Suspended Wood File

##### Drawer Front Pull Options:

(E) = Edge Pull  
(I) = Insert Pull  
(O) = Loop Pull

See planning guide page for drawer pull finish options.

##### Lock Options:

To specify a suspended wood file cabinet without a lock, replace the "L" suffix in the pattern number with an "N".

# Suspended Storage Wood Open Cabinets Planning Guidelines and Specifications

## Suspended Open Cabinets

Suspended open cabinets offer personal storage shelves accessible from front, back or end of desks or big tables. Front access cabinets may be specified with 18", 24", 27", 30" or 36"D desk or big table tops. Side access cabinets attach to the end of 24", 27", 30" or 36"D desk or big tables.

Suspended open cabinets are wood construction and suspended from desk or big table top rails at any point. Suspended wood cabinets can be specified in all laminate or veneer or mixed surface laminate: all "Interior" surfaces of laminate open storage areas can be specified in a contrasting core or accent laminate.

Front access cabinets are sized 15"H and 15"W and must be specified in case depths 3" less than the top depth, inset 1 1/2" from front and back.

Cabinet with front and back access is divided by a centered vertical partition, creating a 13 1/2"H binder height shelf on the "back" and a horizontal partition dividing the "front" section. Cabinet can be installed in either orientation. Case 15"D has flush back panel in "exterior" surface on back. Partitions for 21" and deeper open cabinets are considered "interior" surface on both faces.

Cabinet with side access provides full surround, 13 1/2"H x 14"D shelf corresponding to depth of desk or big table top. Front and back panels are 15"x15" fixed panels, case "width" is 21", 24", 27" or 33"D.

Suspended cabinets should be mounted between freestanding desk end legs. Cabinets can be mounted to desk rails in the space "outside" a desk end leg inset 15", if the other end of a top is stabilized by being

connected to a Fence or perpendicular desk. Cabinets include hanger brackets.

### Construction

Case is composed of 3/4" thick wood panels, with discreet glue-and-dowel connections.

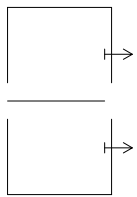
### Specification Options

Specify laminate (L), "mixed" two-tone laminate (M) or veneer (V) case.

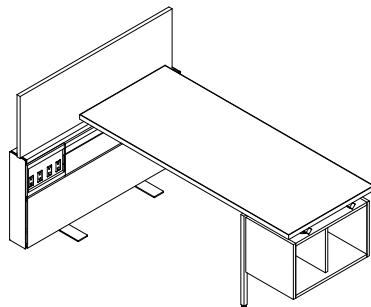
Case finish exterior is available in any Knoll Core laminate or veneer. When the case exterior is laminate, case interior and inset back are available in any Knoll Core or Accent laminate. When an Accent laminate is specified, the edgeband will match the exterior core laminate finish.

Suspension brackets may be specified in any Knoll Core paint finish, Dark Red or Slate Blue.

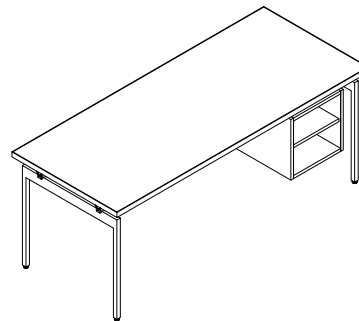
Case Sizes	Front	Back	Side Access Shelf
15"D for 18"D top	14"D shelf	no shelf	not available
21"D for 24"D top	10"D shelf, divided	10"D shelf, binder height	14"D shelf
24"D for 27"D top	11 1/2"D shelf, divided	11 1/2"D shelf, binder height	14"D shelf
27"D for 30"D top	13"D shelf, divided	13"D shelf, binder height	14"D shelf
33"D for 36"D top	16"D shelf, divided	16"D shelf, binder height	N/A



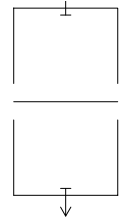
Suspended Side Access Open Cabinet



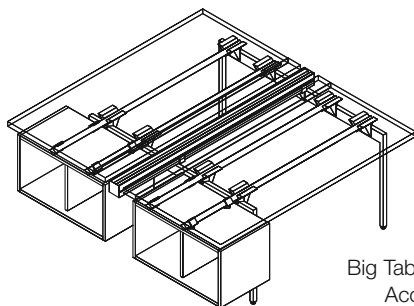
Fence Supported Desk with Suspended Side Access Open Cabinet



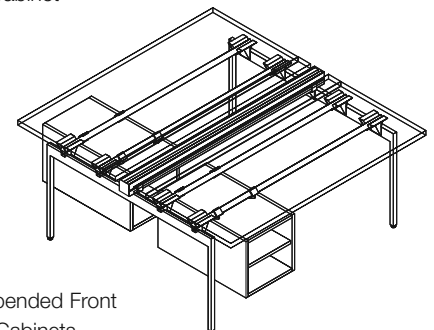
Desk with Suspended Front Access Open Cabinet



Suspended Open Front Access Cabinet



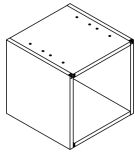
Big Table with Suspended Side Access Open Cabinets



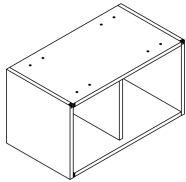
Big Table with Suspended Front Access Open Cabinets

# Suspended Storage Laminate Open Cabinets 15" Wide

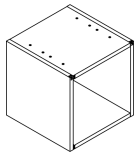
description	type	w	d	h	pattern no.	All Same Laminates (Core Lam.)	Different Laminate	Different Laminate
							Case/Interior (Core Lam.)	Case/Interior (Accent Lam.)
Suspended Laminate Open Cabinets with Front and Back Access For Use With Desks	For 18" Deep Top	15"	15"	15"	<b>YSSOF15L</b>	\$1,128.	\$1,241.	\$1,467.
	For 24" Deep Top	15"	21"	15"	<b>YSSOF21L</b>	1,255.	1,380.	1,630.
	For 27" Deep Top	15"	24"	15"	<b>YSSOF24L</b>	1,317.	1,449.	1,711.
	For 30" Deep Top	15"	27"	15"	<b>YSSOF27L</b>	1,380.	1,517.	1,794.
	For 36" Deep Top	15"	33"	15"	<b>YSSOF33L</b>	1,504.	1,655.	1,957.



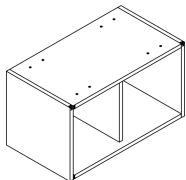
Suspended Laminate Open Cabinets with Side Access For Use With Desks	For 24" Deep Top	15"	21"	15"	<b>YSSOS21L</b>	1,255.	1,380.	1,630.
	For 27" Deep Top	15"	24"	15"	<b>YSSOS24L</b>	1,317.	1,449.	1,711.
	For 30" Deep Top	15"	27"	15"	<b>YSSOS27L</b>	1,380.	1,517.	1,794.



Suspended Laminate Open Cabinets with Front and Back Access For Use With Big Tables	For 18" Deep Top	15"	15"	15"	<b>YSSOF15L</b>	1,128.	1,241.	1,467.
	For 24" Deep Top	15"	21"	15"	<b>YSSOF21L</b>	1,255.	1,380.	1,630.
	For 27" Deep Top	15"	24"	15"	<b>YSSOF24BL</b>	1,317.	1,449.	1,711.
	For 30" Deep Top	15"	27"	15"	<b>YSSOF27BL</b>	1,380.	1,517.	1,794.
	For 36" Deep Top	15"	33"	15"	<b>YSSOF33BL</b>	1,504.	1,655.	1,957.



Suspended Laminate Open Cabinets with Side Access For Use With Big Tables	For 24" Deep Top	15"	21"	15"	<b>YSSOS21L</b>	1,255.	1,380.	1,630.
	For 27" Deep Top	15"	24"	15"	<b>YSSOS24BL</b>	1,317.	1,449.	1,711.
	For 30" Deep Top	15"	27"	15"	<b>YSSOS27BL</b>	1,380.	1,517.	1,794.



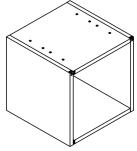
Ordering Information	Order Code	Included With	Options
<b>Suspended Open Cabinet</b>	<b>Suspended Open Cabinet</b>	<b>Suspended Open Cabinet</b>	<b>Suspended Open Cabinet</b>
1. Pattern Number	<i>Example:</i> <b>YSSOF24L, 118, 118, 118T</b>	Brackets	
2. Exterior Case Finish	<b>YSSOF</b> Suspended Open Cabinet	Hardware	
3. Interior Case Finish (Laminate only)	<b>L</b> Laminate Case		
4. Bracket Paint Finish	<b>118</b> Bright White Exterior		
	<b>118</b> Bright White Interior		
	<b>118T</b> Bright White Brackets		

# Suspended Storage

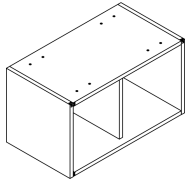
## Veneer Open Cabinets

### 15" Wide

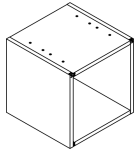
description	type	w	d	h	pattern no.	All V1	All V2	All V3
Suspended Veneer Open Cabinets with Front and Back Access For Use With Desks	For 18" Deep Top	15"	15"	15"	<b>YSSOF15V</b>	\$1,528.	\$1,755.	\$2,284.
	For 24" Deep Top	15"	21"	15"	<b>YSSOF21V</b>	1,746.	2,007.	2,609.
	For 27" Deep Top	15"	24"	15"	<b>YSSOF24V</b>	1,799.	2,070.	2,690.
	For 30" Deep Top	15"	27"	15"	<b>YSSOF27V</b>	1,853.	2,133.	2,772.
	For 36" Deep Top	15"	33"	15"	<b>YSSOF33V</b>	1,963.	2,257.	2,936.



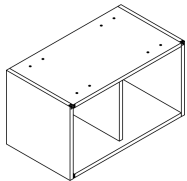
Suspended Veneer Open Cabinets with Side Access For Use With Desks	For 24" Deep Top	15"	21"	15"	<b>YSSOS21V</b>	1,746.	2,007.	2,609.
	For 27" Deep Top	15"	24"	15"	<b>YSSOS24V</b>	1,799.	2,070.	2,690.
	For 30" Deep Top	15"	27"	15"	<b>YSSOS27V</b>	1,853.	2,133.	2,772.



Suspended Veneer Open Cabinets with Front and Back Access For Use With Big Tables	For 18" Deep Top	15"	15"	15"	<b>YSSOF15V</b>	1,528.	1,755.	2,284.
	For 24" Deep Top	15"	21"	15"	<b>YSSOF21V</b>	1,746.	2,007.	2,609.
	For 27" Deep Top	15"	24"	15"	<b>YSSOF24BV</b>	1,799.	2,070.	2,690.
	For 30" Deep Top	15"	27"	15"	<b>YSSOF27BV</b>	1,853.	2,133.	2,772.
	For 36" Deep Top	15"	33"	15"	<b>YSSOF33BV</b>	1,963.	2,257.	2,936.



Suspended Veneer Open Cabinets with Side Access For Use With Big Tables	For 24" Deep Top	15"	21"	15"	<b>YSSOS21V</b>	1,746.	2,007.	2,609.
	For 27" Deep Top	15"	24"	15"	<b>YSSOS24BV</b>	1,799.	2,070.	2,690.
	For 30" Deep Top	15"	27"	15"	<b>YSSOS27BV</b>	1,853.	2,133.	2,772.



Ordering Information	Order Code	Included With	Options
<b>Suspended Open Cabinet</b>	<b>Suspended Open Cabinet</b>	<b>Suspended Open Cabinet</b>	<b>Suspended Open Cabinet</b>
1. Pattern Number	<i>Example:</i> <b>YSSOF24V, Y316, 118T</b>	Brackets	
2. Exterior Case Finish	<b>YSSOF</b> Suspended Open Cabinet	Hardware	
3. Bracket Paint Finish	<b>V</b> Veneer Case		
	<b>Y316</b> Maple Exterior		
	<b>118T</b> Bright White Painted Brackets		

# Extension Cabinets

## For Desks

### Planning Guidelines and Specifications

#### Above Desk Extension Cabinets

Above desk extension cabinet is wood construction, open binder storage that provides some seated privacy at a horizon of 42" on standard height desk. Bottom of cabinet aligns with end of adjacent desk top. Back of cabinet is inset 1/2" to provide niche for optional fabric insert.

Cabinets can be specified in all laminate or veneer or mixed surface laminate: all "Interior" surfaces of laminate open storage areas can be specified in a contrasting core or "pop" laminate. Inset back is considered an interior surface on both faces.

Cabinets are sized 15"H and 15"D and must be specified in case widths to match top depth: 18", 24", 27", 30" or 36". Interior binder storage height is 13".

Desk extension cabinets mount to desk rails specified 12" longer than top normally requires. Specify YSDXUP or YBCDE rail to extension brackets separately and accordingly.

Above desk extension cabinets can not be installed in the same location as a below desk extension cabinet.

#### Construction

Case is composed of 1 3/16" thick bottom (to match desk top) and 3/4" thick sides, back and top panels, with discreet glue-and-dowel connections. 36" wide cabinet has center vertical partition.

Veneer grain direction is horizontal on back, vertical on sides.

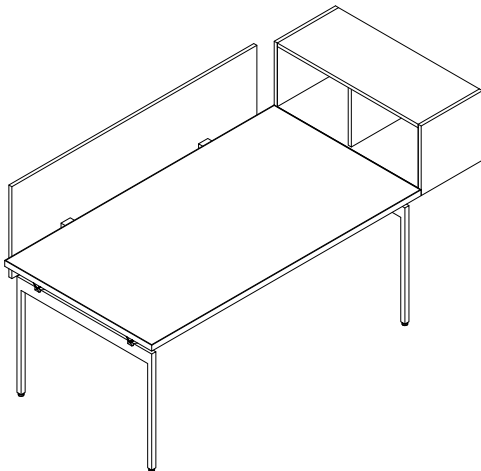
Laminate cabinet matches interior finish on both faces.

#### Specification Options

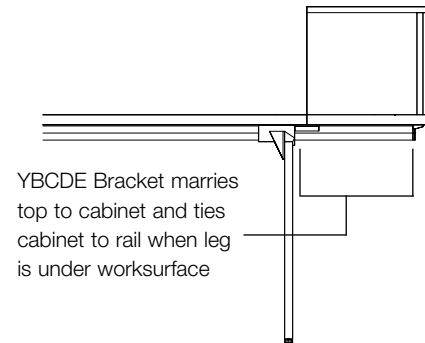
Specify laminate (L), "mixed" two-tone laminate (M) or veneer (V) case.

Case finish exterior is available in any Knoll Core laminate, patterned or woodgrain laminate up to 60"W, or veneer. When the case exterior is laminate, case interior and inset back are available in any Knoll Core or Accent laminate. When an Accent laminate is specified, the edgeband will match the exterior core laminate finish.

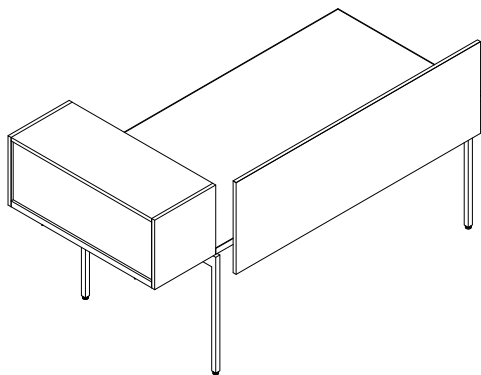
Specify mounting brackets separately.



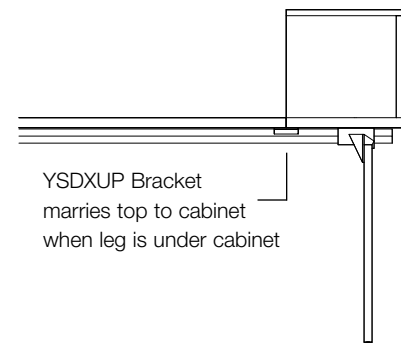
Above Desk Extension Cabinet Front



Above Desk Extension Cabinet Elevation, Leg Under Worksurface



Above Desk Extension Cabinet Back



Above Desk Extension Cabinet Elevation, Leg Under Cabinet

# Extension Cabinets

## For Desks

### Planning Guidelines and Specifications

#### Below Desk Extension Cabinets

Below desk extension cabinet is wood construction, open binder storage that aligns with and provides some enclosure below the end of desk or return. Back of cabinet is open 2" below the top of the cabinet to permit desk support rails to extend inside. Binder opening faces away from the kneespace.

Cabinets can be specified in all laminate or veneer or mixed surface laminate: all "Interior" surfaces of laminate open storage areas can be specified in a contrasting core or "pop" laminate. Outside of flush back is considered an exterior surface.

Cabinets are sized 15 1/2"H and 15"D and must be specified in case widths to match top depth: 24", 27", 30" or 36". Interior binder storage height below rails is 13".

Desk extension cabinets mount to desk rails specified 12" longer than top normally requires. Specify YBCDE rails to extension brackets separately.

Above desk extension cabinets can not be installed in the same location as a below desk extension cabinet.

#### Construction

Case is composed of 1 3/16" thick top (to match desk top) and 3/4" thick sides, back and bottom panels, with discreet glue-and-dowel connections. 36" wide cabinet has center vertical partition.

Veneer grain direction is horizontal on back, vertical on sides.

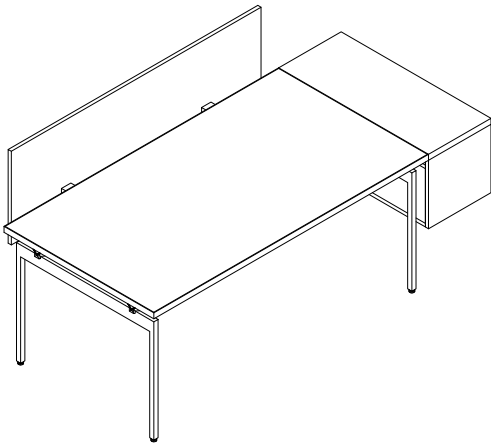
Laminate cabinet back matches exterior finish.

#### Specification Options

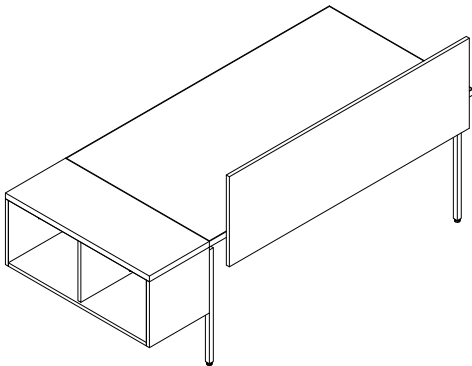
Specify laminate (L), "mixed" two-tone laminate (M) or veneer (V) case.

Case finish exterior is available in any Knoll Core laminate, patterned or woodgrain laminate up to 60"W, or veneer. When the case exterior is laminate, case interior is available in any Knoll Core or Accent laminate. When an Accent laminate is specified, the edgeband will match the exterior core laminate finish.

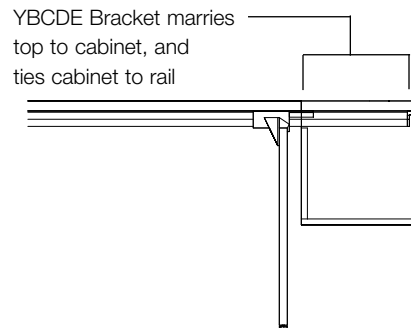
Specify mounting brackets separately.



Below Desk Extension Cabinet Front



Below Desk Extension Cabinet Back

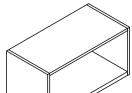


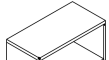
Below Desk Extension Cabinet Elevation

# Extension Cabinets

## For Desks

### Above and Below Tops

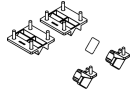
description	type	width	depth	height	pattern number	list	All Same	Different	Different	All V1	All V2	All V3
							Laminate (Core Lam.) (L)	Laminate Case/ Interior (Core Lam.) (L)	Laminate Case/ Interior (Accent Lam.) (L)			
	For 18" Deep Top	15"	18"	14 <sup>3</sup> / <sub>4</sub> "	<b>YSDXOS1815()</b>	\$0.	\$1,193.	\$1,311.	\$1,550.	\$1,634.	\$1,881.	\$2,446.
	For 24" Deep Top	15"	24"	14 <sup>3</sup> / <sub>4</sub> "	<b>YSDXOS2415()</b>	0.	1,255.	1,380.	1,630.	1,746.	2,007.	2,609.
	For 27" Deep Top	15"	27"	14 <sup>3</sup> / <sub>4</sub> "	<b>YSDXOS2715()</b>	0.	1,317.	1,449.	1,711.	1,799.	2,070.	2,686.
	For 30" Deep Top	15"	30"	14 <sup>3</sup> / <sub>4</sub> "	<b>YSDXOS3015()</b>	0.	1,380.	1,517.	1,794.	1,853.	2,133.	2,772.
	For 36" Deep Top	15"	36"	14 <sup>3</sup> / <sub>4</sub> "	<b>YSDXOS3615()</b>	0.	1,504.	1,586.	1,875.	1,963.	2,257.	2,936.

	For 24" Deep Top	15"	24"	15 <sup>1</sup> / <sub>2</sub> "	<b>YSDXSS2415()</b>	0.	1,255.	1,380.	1,630.	1,746.	2,007.	2,609.
	For 27" Deep Top	15"	27"	15 <sup>1</sup> / <sub>2</sub> "	<b>YSDXSS2715()</b>	0.	1,317.	1,449.	1,711.	1,799.	2,070.	2,686.
	For 30" Deep Top	15"	30"	15 <sup>1</sup> / <sub>2</sub> "	<b>YSDXSS3015()</b>	0.	1,380.	1,517.	1,794.	1,853.	2,133.	2,772.
	For 36" Deep Top	15"	36"	15 <sup>1</sup> / <sub>2</sub> "	<b>YSDXSS3615()</b>	0.	1,504.	1,655.	1,957.	1,963.	2,257.	2,936.

Connector Kit for Above Desk Extension Cabinets	2 Brackets				<b>YSDXUP</b>	32.	0.	0.	0.	0.	0.	0.
---	------------	--	--	--	---------------	-----	----	----	----	----	----	----



Connector Kit for Above or Below Desk Extension Cabinets	2 Brackets				<b>YBCDE</b>	50.	0.	0.	0.	0.	0.	0.
--	------------	--	--	--	--------------	-----	----	----	----	----	----	----



#### Ordering Information

##### Extension Cabinets

1. Pattern Number
2. Exterior Case Finish
3. Interior Case Finish (Laminate only)

##### Mounting Brackets

1. Pattern Number
2. Paint Finish

#### Order Code

##### Extension Cabinets

*Example:* **YSDXSS2415L, 118,**

**YSDXSS** Below Desk Extension Cabinets

**24** Depth

**15** Width

**L** Laminate

**118** Bright White Laminate

**118** Bright White Laminate

##### Mounting Brackets

*Example:* **YBCDE, 118T**

**YBCDE** Mounting Brackets

**118T** Bright White Paint

#### Included With

##### Extension Cabinets

Specify extension cabinet mounting brackets separately.

Specify rails 12" longer than required top when specifying extension cabinets.

##### Mounting Brackets

Hardware

#### Options

##### Extension Cabinets

##### Case Finish Options:

(L) = All the same or different laminates for the exterior and interior case

(V) = All the same veneer for the exterior and interior case



# Extension Cabinets

## For Dual Sided Big Tables

### Planning Guidelines and Specifications

#### Above Desk Extension Cabinets for Big Table

Above desk extension cabinet is wood construction, open binder storage that provides some seated privacy at a horizon of 42" on standard height big table. Bottom of cabinet aligns with ends of adjacent desk tops. Back of cabinet is inset 1/2" to provide niche for optional fabric insert.

Cabinets can be specified in all laminate or veneer or mixed surface laminate: all "Interior" surfaces of laminate open storage areas can be specified in a contrasting core or "pop" laminate. Inset back is considered an interior surface on both faces.

Cabinets are sized 15"H and 15"D and must be specified in case widths to match overall big table depth with center beam:

- 53 1/2" case for dual 24" big table
- 59 1/2" case for dual 27" big table
- 65 1/2" case for dual 30" big table
- 77 1/2" case for dual 36" big table

All cabinets have a center partition recessed 1/2" from front edge. 77 1/2" deep cabinets for 36" deep big tables have two center partitions. Interior binder storage height is 13".

Big table extension cabinets mount to desk rails specified 12" longer than tops normally require. Specify YBTE rails to extension brackets separately.

Above desk extension cabinets for big table can not be installed in the same location as a below desk extension cabinet for big table.

#### Construction

Case is composed of 1 3/16" thick bottom (to match desk top) and 3/4" thick sides, back and top panels, with discreet glue-and-dowel connections. 36" wide cabinet has center vertical partition.

Veneer grain direction is horizontal on back, vertical on sides.

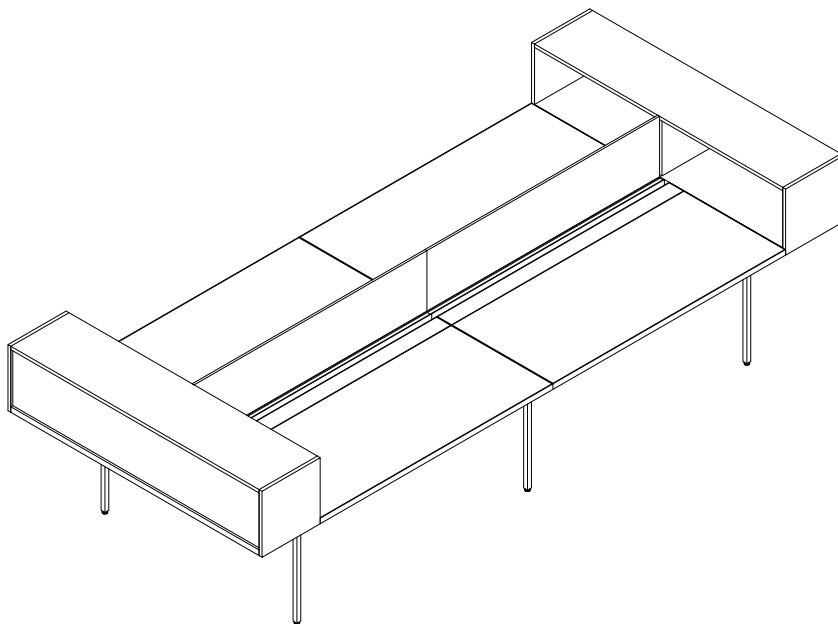
Laminate cabinet matches interior finish on both faces.

#### Specification Options

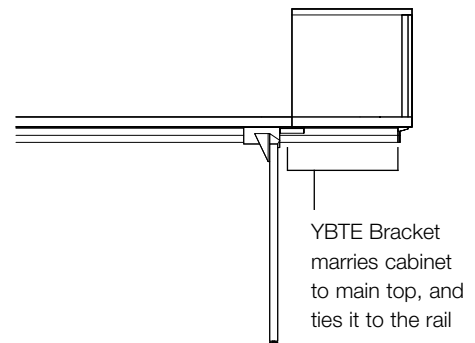
Specify laminate (L), "mixed" two-tone laminate or laminate case with veneer front (M) or veneer (V) case.

Case finish exterior is available in any Knoll Core laminate, patterned or woodgrain laminate up to 60"W, or veneer. When the case exterior is laminate, case interior and inset back are available in any Knoll Core or Accent laminate. When an Accent laminate is specified, the edgeband will match the exterior core laminate finish.

Specify mounting brackets separately.



Above Desk Extension Cabinets for Big Table



Above Desk Extension Cabinet for Big Table Elevation

\*End Leg must stay under the Center Beam and can not be moved out to be placed under the extension top or cabinet

# Extension Cabinets

## For Dual Sided Big Tables

### Planning Guidelines and Specifications

#### Below Desk Extension Cabinets for Big Table

Below desk extension cabinet for big table is wood construction, open binder storage that aligns with and provides some enclosure below the end of dual big table. Back of cabinet is open 2" below the top of the cabinet to permit desk support rails to extend inside. Binder opening faces away from the kneespace.

Cabinets can be specified in all laminate or veneer or mixed surface laminate: all "Interior" surfaces of laminate open storage areas can be specified in a contrasting core or "pop" laminate. Outside of flush back is considered an exterior surface.

Cabinets are sized 15 1/2"H and 15"D and must be specified in case widths to match overall big table depth with center beam:

- 53 1/2" case for dual 24" big table
- 59 1/2" case for dual 27" big table
- 65 1/2" case for dual 30" big table
- 77 1/2" case for dual 36" big table

All cabinets have a center partition recessed 1/2" from front edge. 77 1/2" deep cabinets for 36" deep big tables have two center partitions. Interior binder storage height is 13".

Desk extension cabinets mount to desk rails specified 12" longer than top normally requires. Specify YBTE rails to extension brackets separately.

Above desk extension cabinets for big table can not be installed in the same location as a below desk extension cabinet for big table.

#### Construction

Case is composed of 1 3/16" thick top (to match desk top) and 3/4" thick sides, back and bottom panels, with discreet glue-and-dowel connections. 36" wide cabinet has center vertical partition.

Veneer grain direction is horizontal on back, vertical on sides.

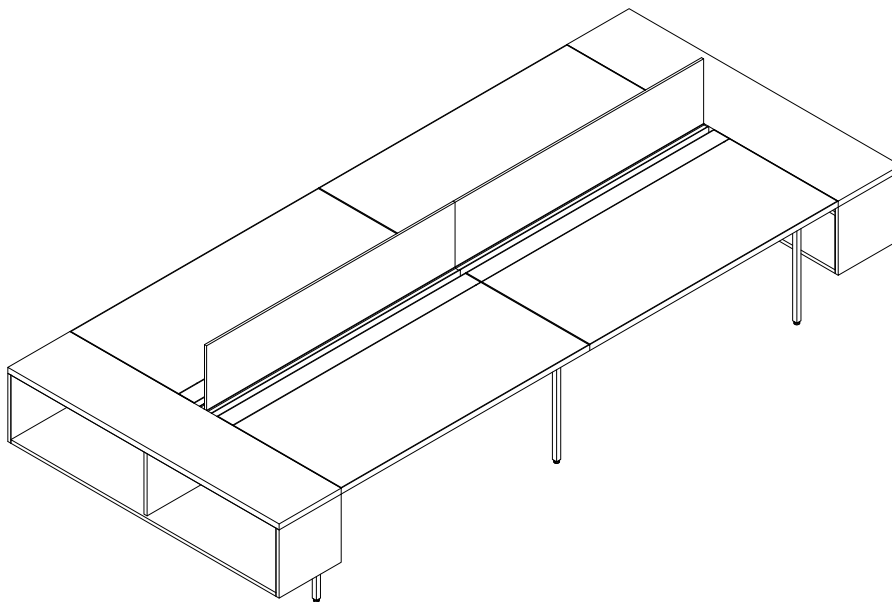
Laminate cabinet back matches exterior finish.

#### Specification Options

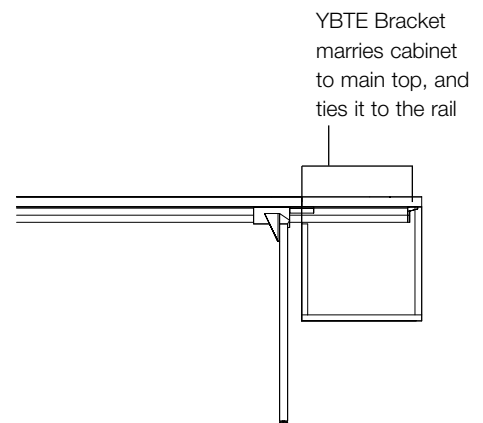
Specify laminate (L), "mixed" two-tone laminate (M) or veneer (V) case.

Case finish exterior is available in any Knoll Core laminate, patterned or woodgrain laminate up to 60"W, or veneer. When the case exterior is laminate, case interior is available in any Knoll Core or Accent laminate. When an Accent laminate is specified, the edgeband will match the exterior core laminate finish.

Specify mounting brackets separately.



Below Desk Extension Cabinets for Big Table



Below Desk Extension Cabinet for Big Table Elevation

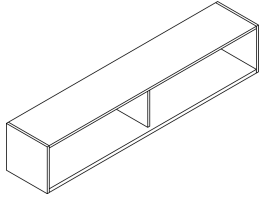
\*End Leg must stay under the Center Beam and can not be moved out to be placed under the extension top or cabinet

# Extension Cabinets

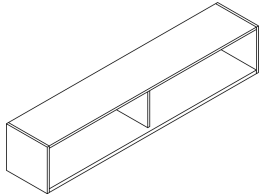
## For Dual Sided Big Tables

### Above and Below Tops

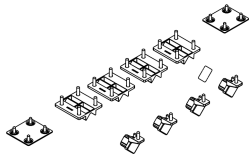
description	type	w	d	h	pattern no.	Paint	All Same	Different	Different	All V1	All V2	All V3
							Laminate (Core Lam.) (L)	Laminate Case/ Interior (Core Lam.) (L)	Laminate Case/ Interior (Accent Lam.) (L)			
Above Big Table Extension Cabinets	For 24" D Big Table	15"	53 1/2"	15"	<b>YSDXOS5315()</b>	n/a	\$1,881.	\$2,070.	\$2,446.	\$2,454.	\$2,822.	\$3,669.
	For 27" D Big Table	15"	59 1/2"	15"	<b>YSDXOS5915()</b>	n/a	2,007.	2,209.	2,609.	2,618.	3,010.	3,913.
	For 30" D Big Table	15"	65 1/2"	15"	<b>YSDXOS6515()</b>	n/a	2,133.	2,344.	2,772.	2,726.	3,135.	4,076.
	For 36" D Big Table	15"	77 1/2"	15"	<b>YSDXOS7715()</b>	n/a	2,321.	2,483.	2,936.	3,053.	3,510.	4,564.



Below Big Table Extension Cabinets	For 24" D Big Table	15"	53 1/2"	15"	<b>YSDXSS5315()</b>	n/a	1,881.	2,070.	2,446.	2,454.	2,822.	3,669.
	For 27" D Big Table	15"	59 1/2"	15"	<b>YSDXSS5915()</b>	n/a	2,007.	2,209.	2,609.	2,618.	3,010.	3,913.
	For 30" D Big Table	15"	65 1/2"	15"	<b>YSDXSS6515()</b>	n/a	2,133.	2,344.	2,772.	2,726.	3,135.	4,076.
	For 36" D Big Table	15"	77 1/2"	15"	<b>YSDXSS7715()</b>	n/a	2,321.	2,552.	3,016.	3,053.	3,510.	4,564.



Connector Kit for Above and Below Big Table Extension Cabinets	4 Brackets				<b>YBTE</b>	114.	n/a	n/a	n/a	n/a	n/a	n/a
--	------------	--	--	--	-------------	------	-----	-----	-----	-----	-----	-----



Ordering Information	Order Code	Included With	Options
<b>Extension Cabinets</b> 1. Pattern Number 2. Exterior Case Finish 3. Interior Case Finish (Laminate only)	<b>Extension Cabinets</b> <i>Example:</i> <b>YSDXSS5915L, 118, 118</b> <hr/> <b>YSDXSS</b> Below Desk Extension Cabinets <hr/> <b>59</b> Depth <hr/> <b>15</b> Width <hr/> <b>L</b> Laminate <hr/> <b>118</b> Bright White Laminate <hr/> <b>118</b> Bright White Laminate <hr/> <b>Mounting Brackets</b> <i>Example:</i> <b>YBTE, 118T</b> <hr/> <b>YBTE</b> Mounting Brackets <hr/> <b>118T</b> Bright White Paint <hr/>	<b>Extension Cabinets</b> Specify extension cabinet mounting brackets separately.  Specify rails 12" longer than required top when specifying extension cabinets.  <b>Mounting Brackets</b> Hardware	<b>Extension Cabinets</b> <b>Case Finish Options:</b> (L) = All the same or different laminates for the exterior and interior case (V) = All the same veneer for the exterior and interior case

*Fabric Inserts**Planning Guidelines and Specifications***Fabric Inserts for Above Desk or Big Table Extension Cabinets**

Fabric back insert is tackable fabric panel, nominal ½" thick, that fits in the recess behind the back of above desk and big table extension cabinets. Fabric back inserts are 1 ½" less wide and 2" less high than cabinet to fit between sides, top and bottom.

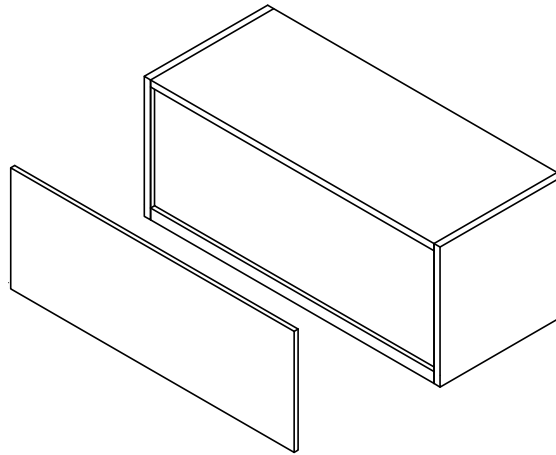
Fabric back insert is not applicable in below desk extension cabinets.

**Construction**

Fabric back insert is ½" tackable tile with fabric applied on exterior surface and edges. Fabric inserts are installed using double-sided adhesive tape, which is included. Two fabric inserts are included for big table extension cabinet applications.

**Specification Options**

Fabric inserts may be specified in any Antenna approved textile. For Customers Own Material (COM) applications, see yardage chart in front of Price List.

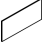



Fabric Inserts are Installed in the Back of Above Desk or Big Table Extension Cabinets

# Extension Cabinets

## *Fabric Inserts*

### *For Desk and Big Table Cabinets*

description	type	w	d	h	pattern no.	grade				
						10	20	30	40	45
Fabric Inserts for Above Desk Extension Cabinets 	For 18" Deep Top	1/2"	16 1/2"	13"	<b>YSDXFB18</b>	\$202.	\$209.	\$215.	\$223.	\$232.
	For 24" Deep Top	1/2"	22 1/2"	13"	<b>YSDXFB24</b>	202.	209.	215.	223.	232.
	For 27" Deep Top	1/2"	25 1/2"	13"	<b>YSDXFB27</b>	202.	209.	215.	223.	232.
	For 30" Deep Top	1/2"	28 1/2"	13"	<b>YSDXFB30</b>	202.	209.	215.	223.	232.
	For 36" Deep Top	1/2"	34 1/2"	13"	<b>YSDXFB36</b>	213.	221.	230.	240.	250.
Fabric Inserts for Above Big Table Extension Cabinets 	For 24" Deep Dual Big Table	1/2"	52"	13"	<b>YSDXFB53</b>	254.	263.	275.	283.	293.
	For 27" Deep Dual Big Table	1/2"	58"	13"	<b>YSDXFB59</b>	254.	263.	275.	283.	293.
	For 30" Deep Dual Big Table	1/2"	64"	13"	<b>YSDXFB65</b>	280.	290.	303.	315.	326.
	For 36" Deep Dual Big Table	1/2"	76"	13"	<b>YSDXFB77</b>	280.	290.	303.	315.	326.

#### Ordering Information

##### Fabric Inserts

1. Pattern Number
2. Fabric Finish

#### Order Code

##### Extension Cabinets

*Example:* **YSDXFB30, W1077**

**YSDXFB** Fabric Insert

**30** Width

**W1077** Element

#### Included With

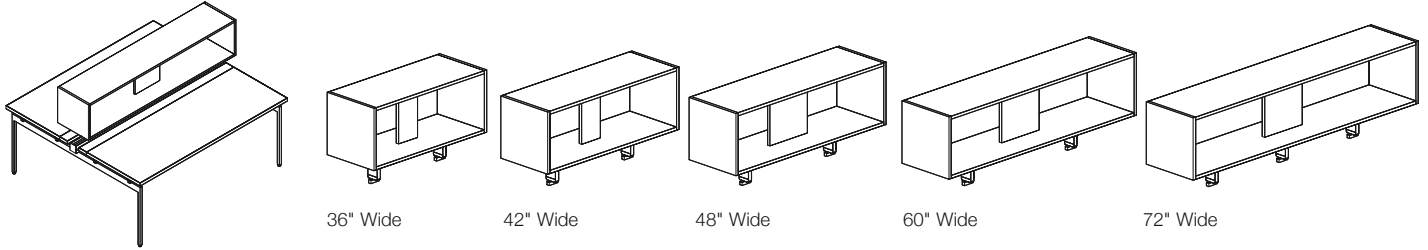
##### Fabric Inserts

#### Options

##### Fabric Inserts

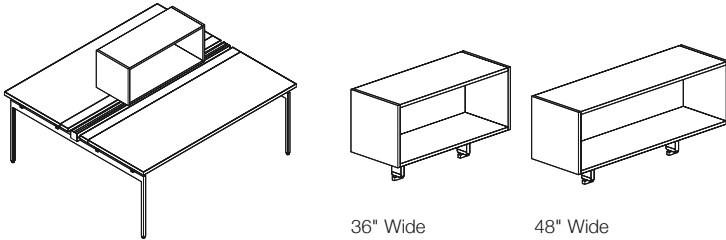
**Wood Storage**

**Open Front and Back Cabinets**



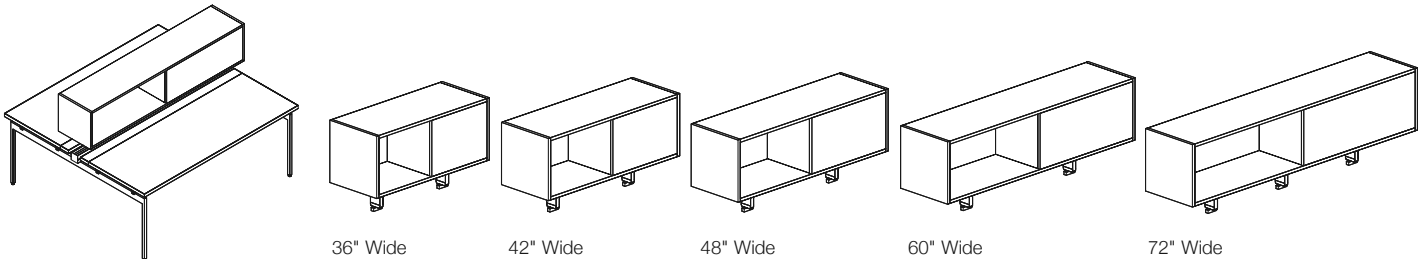
Dual Big Table with Stanchion Mounted  
Open Front and Back Cabinet

**Open Front and Enclosed Back Cabinets**



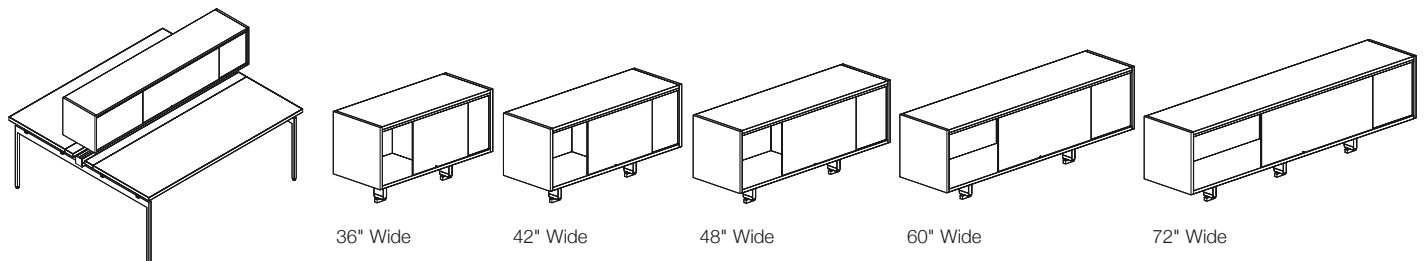
Dual Big Table with Stanchion Mounted  
Open Front and Enclosed Back Cabinet

**Shared Open Front and Enclosed Back Cabinets**



Dual Big Table with Stanchion Mounted Shared  
Open Front and Enclosed Back Cabinet

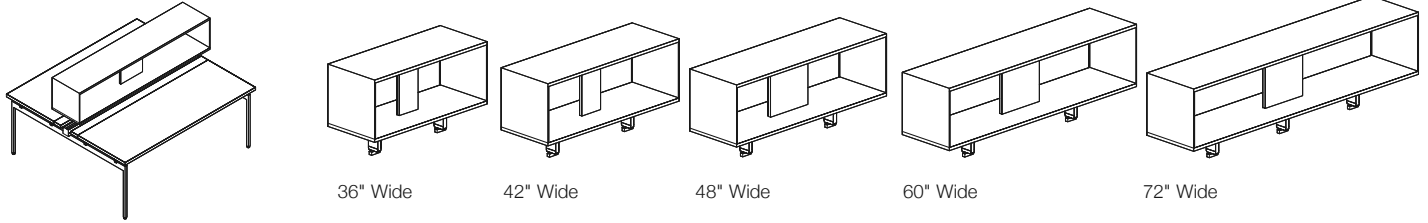
**Shared Sliding Door Cabinets**



Dual Big Table with Stanchion Mounted  
Shared Sliding Door Cabinet

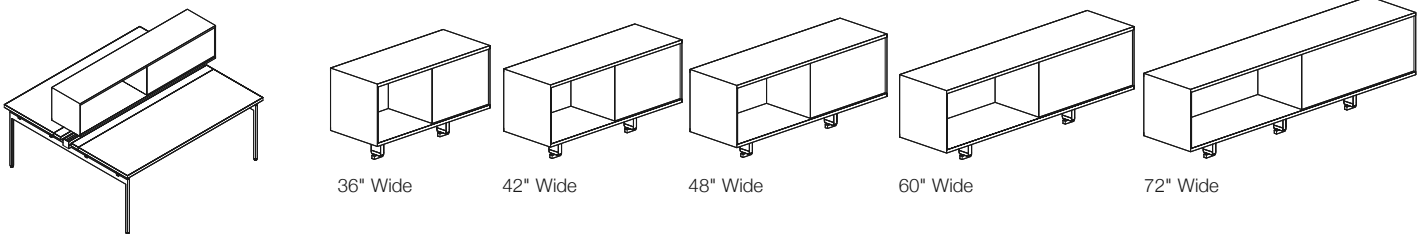
**Metal Storage**

**Open Front and Back Cabinets**



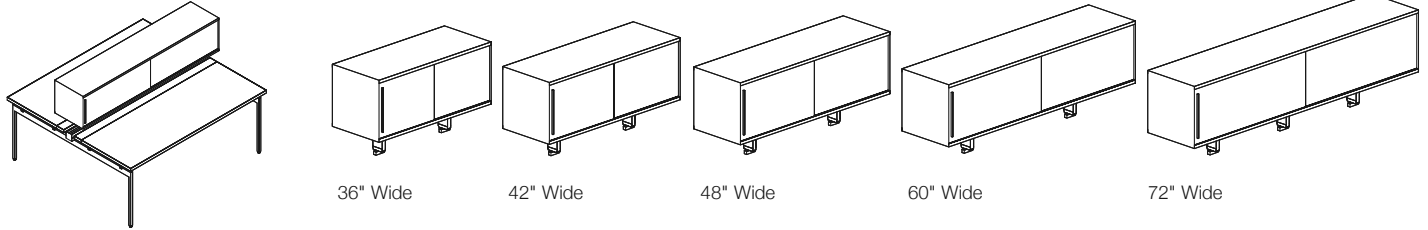
Dual Big Table with Stanchion Mounted Open Front and Back Cabinet

**Shared Open Front and Enclosed Back Cabinets**



Dual Big Table with Stanchion Mounted Shared Open Front and Enclosed Back Cabinet

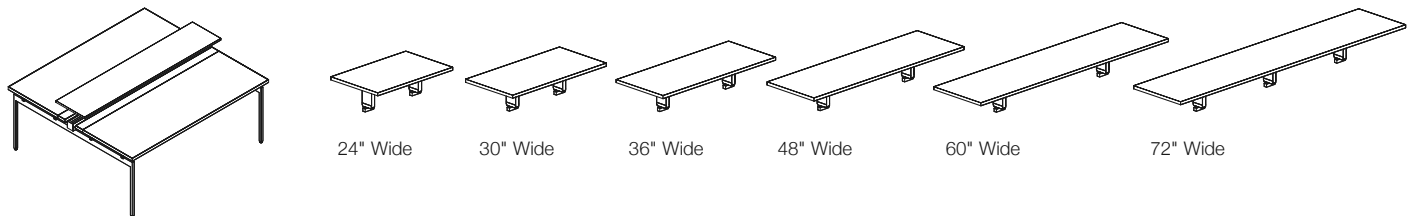
**Shared Sliding Door Cabinets**



Dual Big Table with Stanchion Mounted Shared Sliding Door Cabinet

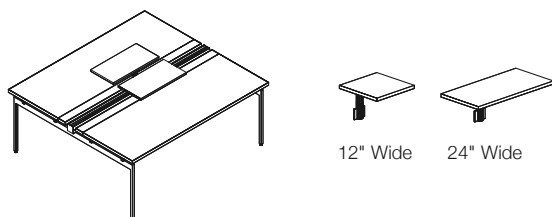
**Shelves**

**Platform Shelves**



Dual Big Table with Platform Shelf

**Cantilever Shelves**



Dual Big Table with Cantilever Shelves

# Stanchion Mounted Wood Storage For Big Table and Fence Planning Guidelines and Specifications

## Stanchion Mounted Open Wood Cabinets

Stanchion mounted open wood cabinets provide binder storage within easy reach from a seated position. Cabinets are available in two configurations: open front with enclosed back, for one-sided use, and open both front and back for shared use.

Cabinets mount on big table center beam or on Fence, with storage stanchion supports, specified separately.

Open front and back cabinets are available in 36", 48", 60" and 72" widths. A center panel parallel to the open front and back provides structural support, and serves to filter sightlines through the cabinet. Cabinets 36"W have a

6" wide center panel, cabinets 42" and wider have a 12" wide center panel. Support panel and all interior surfaces can be specified in a different laminate than exterior surfaces.

Enclosed back cabinets are available in 36" and 48" widths. Enclosed back cabinet has a full back, recessed 1/2" for optional fabric insert, specified separately.

Both sides of recessed back are considered interior surfaces, if specifying two-tone laminate finishes.

All stanchion mounted cabinets are 15"H x 15"D, with 13 1/2" clear interior height for binder storage. Cabinet sides, top and bottom are 3/4" thick, in laminate or veneer, or a combination of laminates.

## Construction

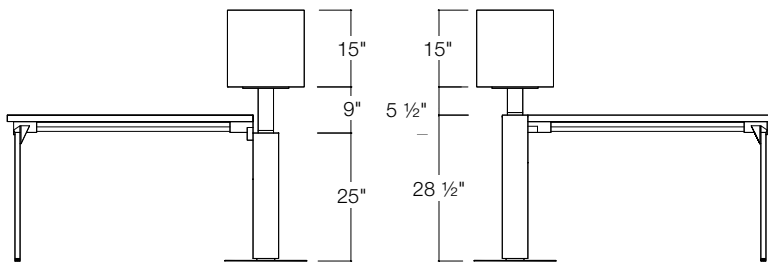
Case is composed of 3/4" thick wood panels, with discreet glue-and-dowel connections.

## Specification Options

Specify laminate (L), "mixed" two-tone laminate (M) or veneer (V) case.

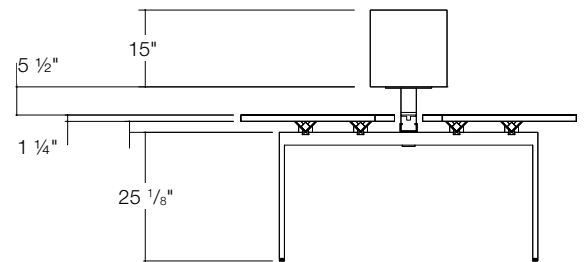
Case finish exterior is available in any Knoll Core laminate, patterned or woodgrain laminate up to 60"W, or veneer. When the case exterior is laminate, case interior and inset back are available in any Knoll Core or Accent laminate. When an Accent laminate is specified, the edgeband will match the exterior core laminate finish.

Specify stanchions separately.

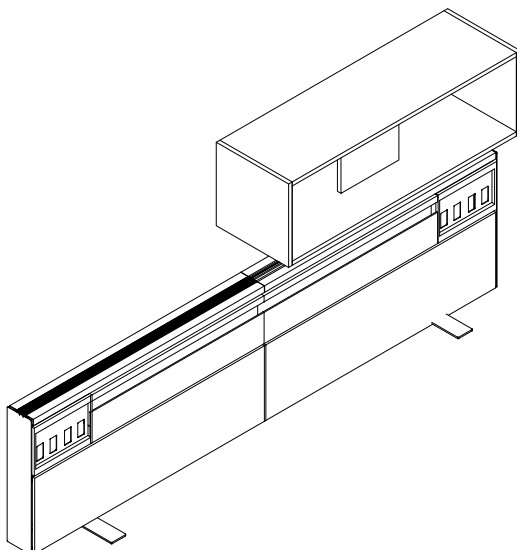


25"H Fence with Stanchion Mounted Open Wood Cabinet Elevation

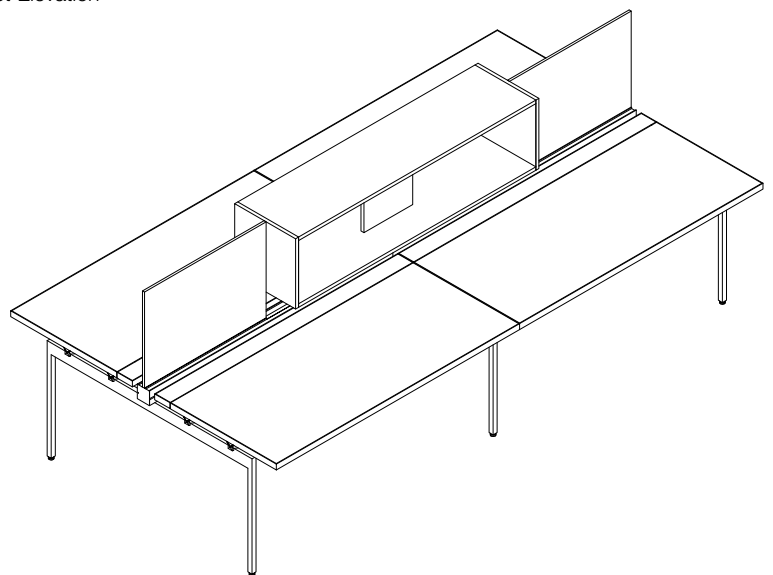
28 1/2"H Fence with Stanchion Mounted Open Wood Cabinet Elevation



Big Table with Stanchion Mounted Open Wood Cabinet Elevation



25"H Fence with Stanchion Mounted Open Wood Cabinet



Big Table with Stanchion Mounted Open Wood Cabinet and Screens



# Stanchion Mounted Wood Storage

## *For Big Table and Fence*

### *Planning Guidelines and Specifications*

#### **Stanchion Mounted Enclosed Wood Cabinets**

Stanchion mounted enclosed wood cabinets provide binder storage within easy reach from a seated position. Cabinets are split with a center partition and a sliding door front on each side of the cabinet for shared use. Cabinets mount on big table center beam or on Fence, with storage stanchion supports, specified separately.

Enclosed wood cabinets are available in 36", 42", 48", 60" and 72" widths.

Each face of cabinet has a sliding door overlapping the recessed back of the cabinet facing the other side.

Cabinets can be specified with both openings on the left or both on the right side.

Cabinets can be specified in all laminate or veneer or mixed surface laminate: all "Interior" surfaces of laminate cabinet can be specified in a contrasting core or "pop" laminate. Partition and inset back are considered interior surfaces on both faces.

All stanchion mounted cabinets are 15"H x 15"D, with 13 ½" clear interior height for binder storage. Cabinet sides, top and bottom are ¾" thick, in laminate or veneer.

#### **Construction**

Case is composed of ¾" thick wood panels, with discreet glue-and-dowel connections.

#### **Specification Options**

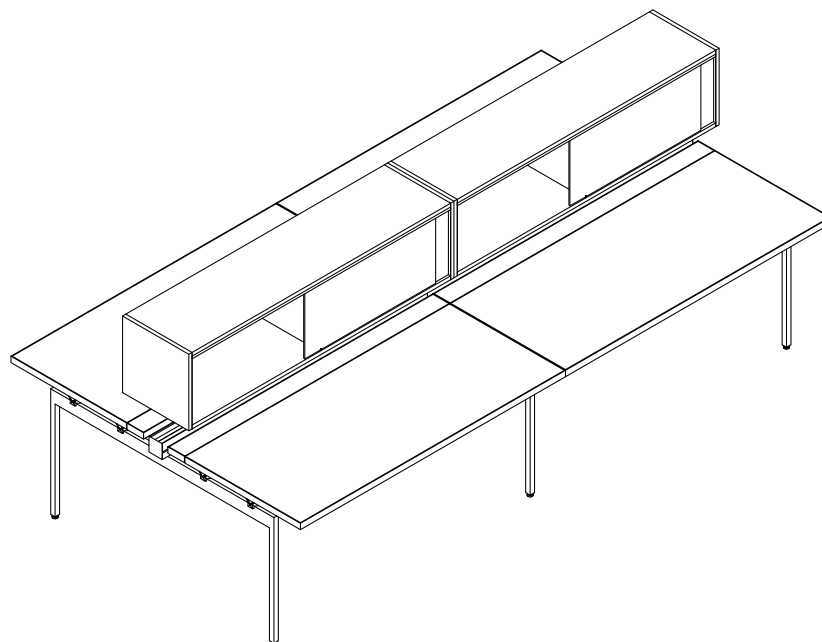
Specify laminate (L), "mixed" two-tone laminate (M) or veneer (V) case. Enclosed wood cabinets are non-locking.

Case finish exterior is available in any Knoll Core laminate, patterned or woodgrain laminate up to 60"W, or veneer. When the case exterior is laminate, case interior and inset back are available in any Knoll Core or Accent laminate. When an Accent laminate is specified, the edgeband will match the exterior core laminate finish.

Door sets are specified separately to enable any combination of wood or laminate case and doors. Specify drawer front sets in any Knoll Core laminate (L) or veneer (V).

Pulls are available in any Knoll Core paint finish, Dark Red or Slate Blue.

Specify stanchions separately.



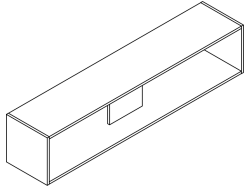
Big Table with Stanchion Mounted Shared Sliding Door Cabinets, Openings on Left

# Stanchion Mounted Wood Storage

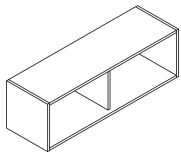
## For Big Table and Fence

### Open Cabinets

description	w	d	h	pattern no.	All Same	Different	Different	V1	V2	V3
					Laminate (Core Lam.) (L)	Laminate Case/ Interior (Core Lam.) (L)	Laminate Case/ Interior (Accent lam.) (L)			
Stanchion Mounted Cabinet, Open Front and Back	36"	15"	15"	<b>YSUOS3615()</b>	\$1,128.	\$1,241.	\$1,634.	\$1,634.	\$1,881.	\$2,446.
	42"	15"	15"	<b>YSUOS4215()</b>	1,193.	1,311.	1,690.	1,690.	1,945.	2,526.
	48"	15"	15"	<b>YSUOS4815()</b>	1,255.	1,380.	1,746.	1,746.	2,007.	2,609.
	60"	15"	15"	<b>YSUOS6015()</b>	1,568.	1,722.	2,181.	2,181.	2,508.	2,883.
	72"	15"	15"	<b>YSUOS7215()</b>	1,695.	1,864.	2,344.	2,344.	2,697.	3,505.

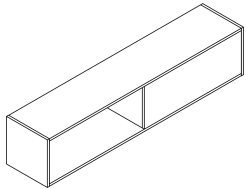


Stanchion Mounted Cabinet, Open Front and Enclosed Back	36"	15"	15"	<b>YSUES3615()</b>	1,317.	1,449.	1,799.	1,799.	2,070.	2,690.
	48"	15"	15"	<b>YSUES4815()</b>	1,504.	1,655.	2,073.	2,073.	2,382.	3,096.



(48" wide cabinet with septum shown)

Stanchion Mounted Shared Cabinet, Open Front and Enclosed Back Opening on Left	36"	15"	15"	<b>YSUSNDL3615()</b>	1,504.	1,655.	2,322.	2,322.	2,670.	3,469.
	42"	15"	15"	<b>YSUSNDL4215()</b>	1,536.	1,690.	2,375.	2,375.	2,729.	3,548.
	48"	15"	15"	<b>YSUSNDL4815()</b>	1,568.	1,722.	2,426.	2,426.	2,790.	3,626.
	60"	15"	15"	<b>YSUSNDL6015()</b>	1,630.	1,792.	2,578.	2,578.	2,962.	3,851.
	72"	15"	15"	<b>YSUSNDL7215()</b>	1,755.	1,931.	2,682.	2,682.	3,084.	4,008.



#### Ordering Information

##### Stanchion Mounted Cabinets

1. Pattern Number
2. Exterior Case Finish
3. Interior Case Finish (Laminate only)

#### Order Code

##### Stanchion Mounted Cabinets

*Example:* **YSUOS6015L, 118, 118**

<b>YSUOS</b>	Stanchion Mounted Cabinets
<b>60</b>	Width
<b>15</b>	Depth
<b>L</b>	Laminate
<b>118</b>	Bright White Laminate
<b>118</b>	Bright White Laminate

#### Included With

##### Stanchion Mounted Cabinets

Specify stanchion brackets for attachment to big table and fence separately

#### Options

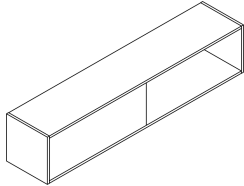
##### Stanchion Mounted Cabinets

#### Case Finish Options:

(L) = All the same or different laminates for the exterior and interior case  
 (V) = All the same veneer for the exterior and interior case

# Stanchion Mounted Wood Storage For Big Table and Fence Open Cabinets

description	w	d	h	pattern no.	All Same	Different	Different	V1	V2	V3
					Laminate (Core Lam.) (L)	Laminate Case/ Interior (Core Lam.) (L)	Laminate Case/ Interior (Accent lam.) (L)			
Stanchion Mounted Shared Cabinet, Open Front and Enclosed Back Opening on Right	36"	15"	15"	<b>YSUSNDR3615()</b>	\$1,504.	\$1,655.	\$2,322.	\$2,322.	\$2,670.	\$3,469.
	42"	15"	15"	<b>YSUSNDR4215()</b>	1,536.	1,690.	2,375.	2,375.	2,729.	3,548.
	48"	15"	15"	<b>YSUSNDR4815()</b>	1,568.	1,722.	2,426.	2,426.	2,790.	3,626.
	60"	15"	15"	<b>YSUSNDR6015()</b>	1,630.	1,792.	2,578.	2,578.	2,962.	3,851.
	72"	15"	15"	<b>YSUSNDR7215()</b>	1,755.	1,931.	2,682.	2,682.	3,084.	4,008.



## Ordering Information

### Stanchion Mounted Cabinets

1. Pattern Number
2. Exterior Case Finish
3. Interior Case Finish  
(Laminate only)

## Order Code

### Stanchion Mounted Cabinets

*Example:* **YSUOS6015L, 118, 118**

<b>YSUOS</b>	Stanchion Mounted Cabinets
<b>60</b>	Width
<b>15</b>	Depth
<b>L</b>	Laminate
<b>118</b>	Bright White Laminate
<b>118</b>	Bright White Laminate

## Included With

### Stanchion Mounted Cabinets

Specify stanchion brackets for attachment to big table and fence separately

## Options

### Stanchion Mounted Cabinets

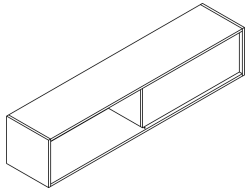
#### Case Finish Options:

(L) = All the same or different laminates for the exterior and interior case  
(V) = All the same veneer for the exterior and interior case

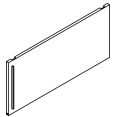
For Big Table and Fence

Shared Sliding Door Cabinets with Opening on Left

description	w	d	h	pattern no.	All Same	Different	Different	V1	V2	V3
					Laminate (Core Lam.) (L)	Laminate Case/ Interior (Core Lam.) (L)	Laminate Case/ Interior (Accent Lam.) (L)			
Stanchion Mounted Shared Sliding Door Cabinet Case, Opening on Left	36"	15"	15"	<b>YSUSDL3615()</b>	\$1,755.	\$1,930.	\$2,883.	\$2,883.	\$3,317.	\$4,312.
	42"	15"	15"	<b>YSUSDL4215()</b>	1,820.	2,001.	2,949.	2,949.	3,389.	4,405.
	48"	15"	15"	<b>YSUSDL4815()</b>	1,881.	2,070.	3,010.	3,010.	3,460.	4,501.
	60"	15"	15"	<b>YSUSDL6015()</b>	2,382.	2,622.	3,386.	3,386.	3,895.	5,061.
	72"	15"	15"	<b>YSUSDL7215()</b>	2,508.	2,759.	3,637.	3,637.	4,183.	5,435.



description	w	d	h	pattern no.				V1	V2	V3
	42"	3/4"	15"	<b>YSSDL4215()</b>	722.	n/a	n/a	1,003.	1,155.	1,499.
	48"	3/4"	15"	<b>YSSDL4815()</b>	753.	n/a	n/a	1,035.	1,191.	1,547.
	60"	3/4"	15"	<b>YSSDL6015()</b>	786.	n/a	n/a	1,096.	1,266.	1,649.
	72"	3/4"	15"	<b>YSSDL7215()</b>	847.	n/a	n/a	1,193.	1,368.	1,782.



**Ordering Information**

**Stanchion Mounted Cabinets**

1. Pattern Number
2. Exterior Case Finish
3. Interior Case Finish (Laminate only)

**Sliding Doors**

1. Pattern Number
2. Door Finish
3. Pull Finish

**Order Code**

**Stanchion Mounted Cabinets**

Example: **YSUSDL6015L, 118, 118**

<b>YSUSDL</b>	Stanchion Mounted Cabinets
<b>60</b>	Width
<b>15</b>	Depth
<b>L</b>	Laminate
<b>118</b>	Bright White Laminate
<b>118</b>	Bright White Laminate

**Sliding Doors**

Example: **YSSDL6015L, 118**

<b>YSSD</b>	Sliding Doors
<b>L</b>	Left
<b>60</b>	Width
<b>15</b>	Depth
<b>L</b>	Laminate
<b>118</b>	Bright White Laminate

**Included With**

**Stanchion Mounted Cabinets**  
Specify stanchion brackets for attachment to big table and fence separately

**Sliding Doors**  
Hardware

**Options**

**Stanchion Mounted Cabinets**

**Case Finish Options:**  
(L) = All the same or different laminates for the exterior and interior case  
(V) = All the same veneer for the exterior and interior case

**Sliding Doors**

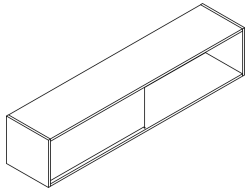
**Door Finish Options:**  
(L) = Laminate  
(V) = Veneer

Door pulls are available in Knoll core paints, Dark Red (130) and Slate Blue (131) paint finishes.

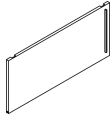
For Big Table and Fence

Shared Sliding Door Cabinets with Opening on Right

description	w	d	h	pattern no.	All Same	Different	Different	V1	V2	V3
					Laminate (Core Lam.) (L)	Laminate Case/ Interior (Accent Lam.) (L)	Laminate Case/ Interior (Accent Lam.) (L)			
Stanchion Mounted Shared Sliding Door Cabinet Case Opening on Right	36"	15"	15"	<b>YSUSDR3615( )</b>	\$1,755.	\$1,930.	\$2,883.	\$2,883.	\$3,317.	\$4,312.
	42"	15"	15"	<b>YSUSDR4215( )</b>	1,820.	2,001.	2,949.	2,949.	3,389.	4,405.
	48"	15"	15"	<b>YSUSDR4815( )</b>	1,881.	2,070.	3,010.	3,010.	3,460.	4,501.
	60"	15"	15"	<b>YSUSDR6015( )</b>	2,382.	2,622.	3,386.	3,386.	3,895.	5,061.
	72"	15"	15"	<b>YSUSDR7215( )</b>	2,508.	2,759.	3,637.	3,637.	4,183.	5,435.



description	w	d	h	pattern no.				V1	V2	V3
	42"	3/4"	15"	<b>YSSDR4215 ( )</b>	722.	n/a	n/a	1,003.	1,155.	1,499.
	48"	3/4"	15"	<b>YSSDR4815 ( )</b>	753.	n/a	n/a	1,035.	1,191.	1,547.
	60"	3/4"	15"	<b>YSSDR6015 ( )</b>	786.	n/a	n/a	1,096.	1,266.	1,649.
	72"	3/4"	15"	<b>YSSDR7215 ( )</b>	847.	n/a	n/a	1,193.	1,368.	1,782.



**Ordering Information**

**Stanchion Mounted Cabinets**

1. Pattern Number
2. Exterior Case Finish
3. Interior Case Finish (Laminate only)

**Sliding Doors**

1. Pattern Number
2. Door Finish
3. Pull Type
4. Pull Finish

**Order Code**

**Stanchion Mounted Cabinets**

*Example:* **YSUSDR6015L, 118, 118**

<b>YSUSDR</b>	Stanchion Mounted Cabinets
<b>60</b>	Width
<b>15</b>	Depth
<b>L</b>	Laminate
<b>118</b>	Bright White Laminate
<b>118</b>	Bright White Laminate

**Sliding Doors**

*Example:* **YSSDR6015L, 118**

<b>YSSD</b>	Sliding Doors
<b>R</b>	Right
<b>60</b>	Width
<b>15</b>	Depth
<b>L</b>	Laminate
<b>118</b>	Bright White Laminate

**Included With**

**Stanchion Mounted Cabinets**  
Specify stanchion brackets for attachment to big table and fence separately

**Sliding Doors**  
Hardware

**Options**

**Stanchion Mounted Cabinets**

**Case Finish Options:**  
(L) = All the same or different laminates for the exterior and interior case  
(V) = All the same veneer for the exterior and interior case

**Sliding Doors**

**Door Finish Options:**  
(L) = Laminate  
(V) = Veneer

Door pulls are available in Knoll core paints, Dark Red (130) and Slate Blue (131) paint finishes.

# Stanchion Mounted Metal Storage

## For Big Table and Fence

### Planning Guidelines and Specifications

#### Stanchion Mounted Metal Open Cabinets

Stanchion mounted metal open cabinets provide binder storage within easy reach from a seated position. Cabinets are open both front and back for shared use.

Cabinets mount on big table center beam or on Fence, with storage stanchion supports, specified separately.

Open front and back cabinets are available in 36", 42", 48", 60" and 72" widths. A center panel parallel to the open front and back provides structural support, and serves to filter sightlines through the cabinet. Cabinets 36"W have a 6" wide center panel, cabinets 48" and wider have a 12" wide center panel. Enclosed back cabinets are available in 36", 42", 48", 60" and 72" widths.

All stanchion mounted cabinets are 15"H x 15"D, with 13 1/2" clear interior height for binder storage. Cabinet sides, top and bottom are painted steel finish.

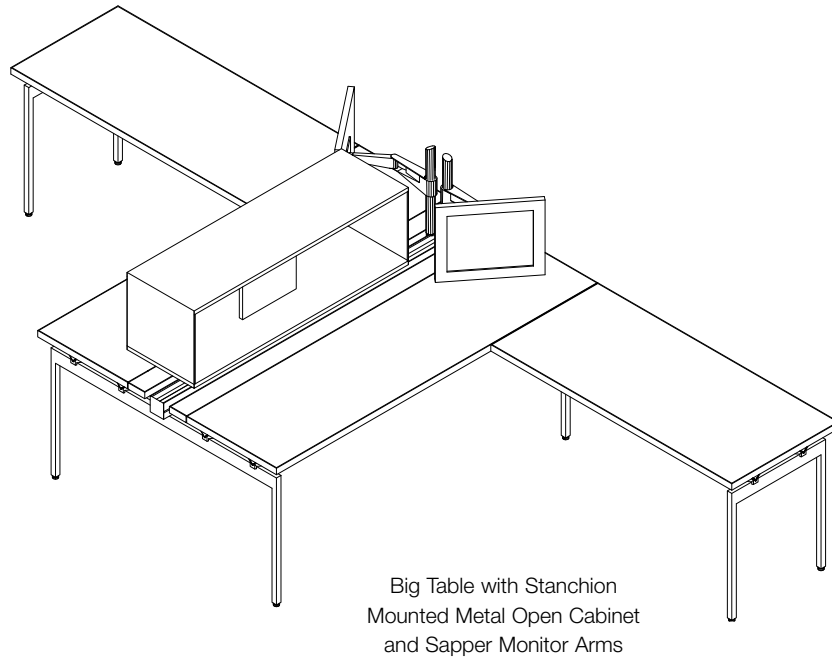
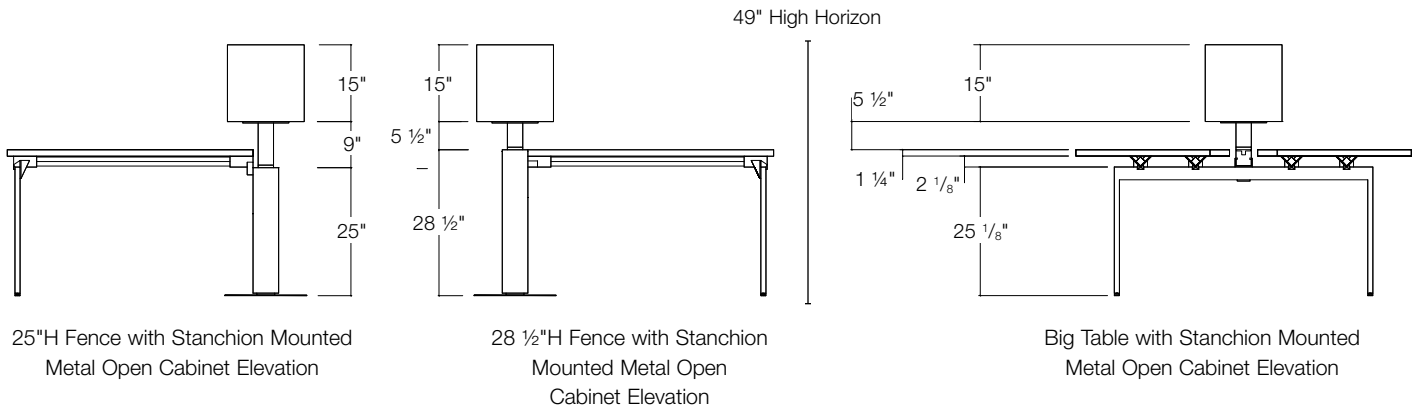
#### Construction

Cabinet top and bottom are formed to 3/4" thick, and sides are flat, heavy gauge steel.

#### Specification Options

Specify case in any Knoll Core paint finish.

Specify stanchions separately.



# Stanchion Mounted Metal Storage

## For Big Table and Fence

### Planning Guidelines and Specifications

#### Stanchion Mounted Shared Metal Cabinets

Stanchion mounted shared metal cabinets provide binder storage within easy reach from a seated position. Cabinets are split with a center partition and available open or with a sliding door front on each face. Cabinets mount on big table center beam or on Fence, with a pair of storage stanchion supports, specified separately.

Shared cabinets are available in 36", 42", 48", 60" and 72" widths. Each face of cabinet has a sliding door overlapping the recessed back of the cabinet facing the other side. Cabinets can be specified with both openings on the left or both on the right side.

Cabinets can be specified in all painted finish case and interior, with matching or contrasting doors finish.

All stanchion mounted cabinets are 15"H x 15"D, with 13 1/2" clear interior height for binder storage.

#### Construction

Cabinet top and bottom are formed to 3/4" thick, and sides are flat, heavy gauge steel.

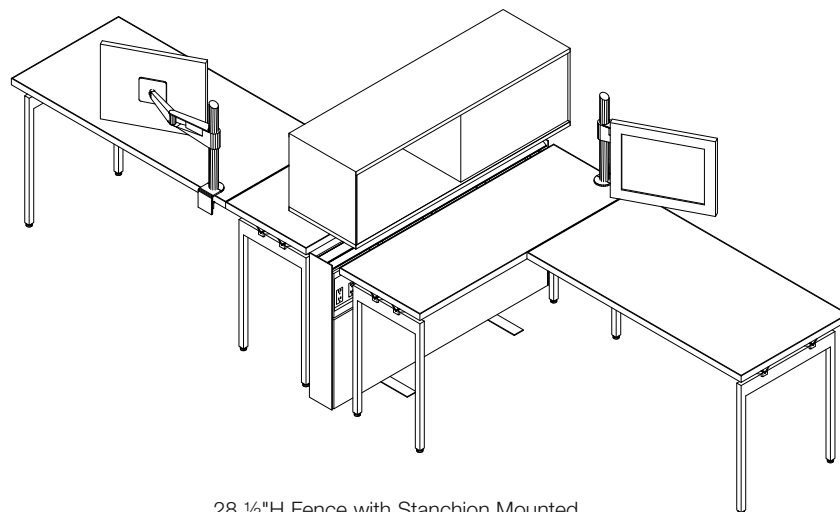
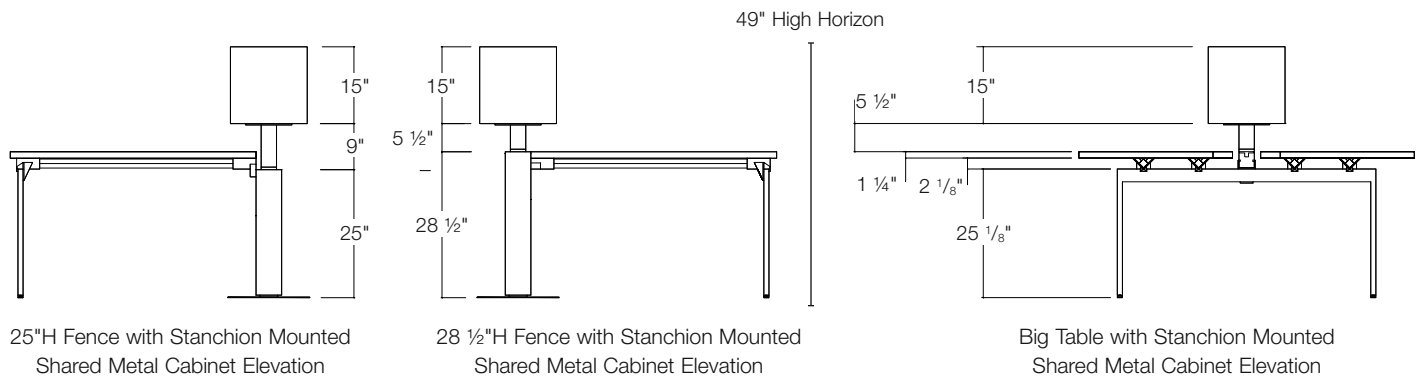
#### Specification Options

Specify locking (L) or non-locking (N).

When different paint finishes are being selected for the case, doors or pulls, add a (Y) suffix to the pattern number. If a single paint finish is being specified for all components add an (S).

Specify case, doors and pulls in any Knoll Core paint finish.

Specify stanchions separately.



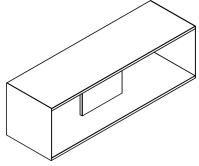
28 1/2"H Fence with Stanchion Mounted Shared Metal Cabinet and Antenna Desks

# Stanchion Mounted Metal Storage

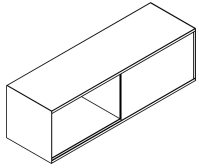
## For Big Table and Fence

### Open and Shared Cabinets

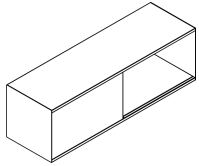
description	w	d	h	pattern no.	list	P2	P3
Stanchion Mounted Cabinets, Open Front and Back	36"	15"	15"	<b>YSMUOS36</b>	\$794.	\$869.	\$907.
	42"	15"	15"	<b>YSMUOS42</b>	820.	898.	937.
	48"	15"	15"	<b>YSMUOS48</b>	849.	932.	972.
	60"	15"	15"	<b>YSMUOS60</b>	1,035.	1,134.	1,185.
	72"	15"	15"	<b>YSMUOS72</b>	1,104.	1,213.	1,266.



Stanchion Mounted Shared Cabinets, with Enclosed Back and Open Front, Opening on Left	36"	15"	15"	<b>YSMUSOL36</b>	926.	1,020.	1,067.
	42"	15"	15"	<b>YSMUSOL42</b>	964.	1,062.	1,112.
	48"	15"	15"	<b>YSMUSOL48</b>	1,006.	1,106.	1,159.
	60"	15"	15"	<b>YSMUSOL60</b>	1,215.	1,337.	1,397.
	72"	15"	15"	<b>YSMUSOL72</b>	1,292.	1,422.	1,488.



Stanchion Mounted Shared Cabinets, with Enclosed Back and Open Front, Opening on Right	36"	15"	15"	<b>YSMUSOR36</b>	926.	1,020.	1,067.
	42"	15"	15"	<b>YSMUSOR42</b>	964.	1,062.	1,112.
	48"	15"	15"	<b>YSMUSOR48</b>	1,006.	1,106.	1,159.
	60"	15"	15"	<b>YSMUSOR60</b>	1,215.	1,337.	1,397.
	72"	15"	15"	<b>YSMUSOR72</b>	1,292.	1,422.	1,488.



#### Ordering Information

##### Stanchion Mounted Open Cabinets

1. Pattern Number
2. Case Paint Finish

#### Order Code

##### Stanchion Mounted Open Cabinets

*Example:* YSMUOS48, 118T

**YSMUOS** Stanchion Mounted Cabinets

**48** Width

**118T** Bright White Paint

#### Included With

##### Stanchion Mounted Open Cabinets

Specify stanchion brackets for attachment to big table and fence separately.

#### Options

##### Stanchion Mounted Open Cabinets

When different paint finishes are being selected for the case, doors or pulls, the price is the higher of the two paint finish grades.

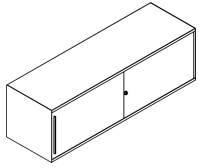


# Stanchion Mounted Metal Storage

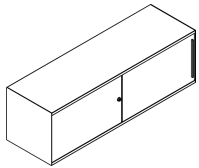
## *For Big Table and Fence*

### *Open and Shared Cabinets*

description	w	d	h	pattern no.	list	P2	P3
Stanchion Mounted Shared Cabinets, with Sliding Doors, Opening On Left	36"	15"	15"	<b>YSMUSDL36L()</b>	\$1,158.	\$1,266.	\$1,323.
	42"	15"	15"	<b>YSMUSDL42L()</b>	1,199.	1,313.	1,371.
	48"	15"	15"	<b>YSMUSDL48L()</b>	1,238.	1,356.	1,417.
	60"	15"	15"	<b>YSMUSDL60L()</b>	1,461.	1,600.	1,670.
	72"	15"	15"	<b>YSMUSDL72L()</b>	1,572.	1,721.	1,799.



Stanchion Mounted Shared Cabinets, with Sliding Doors, Opening On Right	36"	15"	15"	<b>YSMUSDR36L()</b>	1,158.	1,266.	1,323.
	42"	15"	15"	<b>YSMUSDR42L()</b>	1,199.	1,313.	1,371.
	48"	15"	15"	<b>YSMUSDR48L()</b>	1,238.	1,356.	1,417.
	60"	15"	15"	<b>YSMUSDR60L()</b>	1,461.	1,600.	1,670.
	72"	15"	15"	<b>YSMUSDR72L()</b>	1,572.	1,721.	1,799.



#### Ordering Information

##### Stanchion Mounted Open Cabinets

1. Pattern Number
2. Case Paint Finish

#### Order Code

##### Stanchion Mounted Open Cabinets

*Example:* YSMUOS48, 118T

**YSMUOS** Stanchion Mounted Cabinets

**48** Width

**118T** Bright White Paint

#### Included With

##### Stanchion Mounted Open Cabinets

Specify stanchion brackets for attachment to big table and fence separately.

#### Options

##### Stanchion Mounted Open Cabinets

When different paint finishes are being selected for the case, doors or pulls, the price is the higher of the two paint finish grades.

# Stanchion Mounted Platform

## For Big Table and Fence

### Planning Guidelines and Specifications

#### Stanchion Mounted Platforms

Platforms are a rectangular laminate or veneer surface that mounts on stanchions on the center beam of a big table or on the crown of either height Fence. Specify a pair of storage support stanchions separately.

Platforms are 15"D, and centered over the stanchions, in widths from 24"-72" in 6" increments.

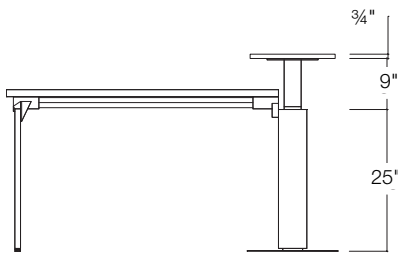
#### Construction

Platforms are 3/4" thick particle MDF with laminate surface or veneer. Threaded inserts are positioned over stanchion locations.

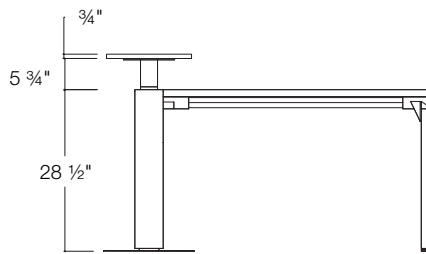
#### Specification Options

Specify either a laminate (L) or veneer (V) surface. Surface finish is available in any Knoll Core laminate or veneer finish.

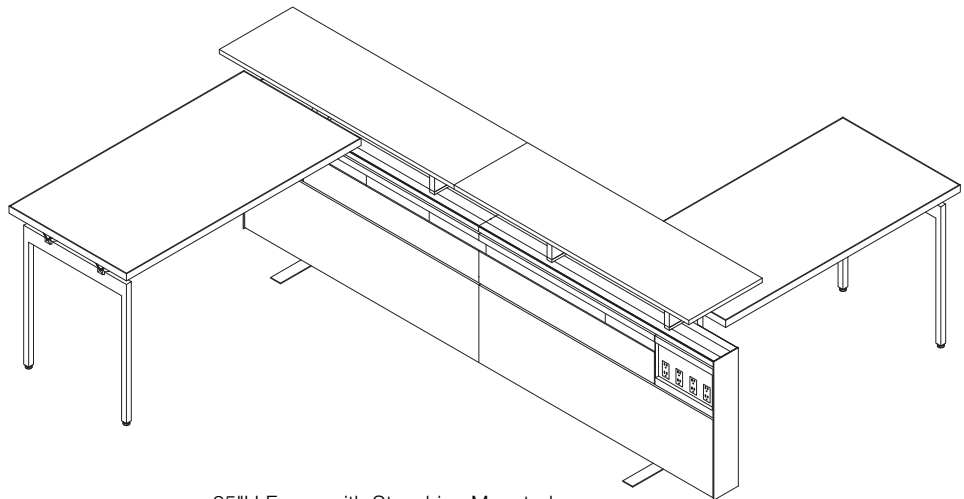
Specify stanchions separately.



25"H Fence with Stanchion Mounted Platform Elevation



28 1/2"H Fence with Stanchion Mounted Platform Elevation

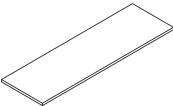


25"H Fence with Stanchion Mounted Platforms and Antenna Desks

# Stanchion Mounted Platform

## For Big Table and Fence

### 15" Deep

description	w	d	h	pattern no.	Laminate (L)	V1 (V)	V2 (V)	V3 (V)
Platform 	24"	15"	3/4"	<b>YSUOP24( )</b>	\$175.	\$420.	\$484.	\$654.
	30"	15"	3/4"	<b>YSUOP30( )</b>	190.	437.	502.	680.
	36"	15"	3/4"	<b>YSUOP36( )</b>	213.	449.	516.	697.
	48"	15"	3/4"	<b>YSUOP48( )</b>	263.	469.	540.	730.
	60"	15"	3/4"	<b>YSUOP60( )</b>	300.	517.	593.	802.
	72"	15"	3/4"	<b>YSUOP72( )</b>	315.	539.	622.	837.

#### Ordering Information

1. Pattern Number
2. Surface Finish

#### Order Code

**Platform**  
*Example:* YSUOP48L, 118  
**YSUOP** Platform  
**48** Width  
**L** Laminate

#### Included With

**Platform**  
 Hardware  
 Specify stanchion brackets for attachment to big table and fence separately

#### Options

**Platform**  
**Surface Finish Options**  
 (L) = Laminate  
 (V) = Veneer

# Stanchion Supports

## Planning Guidelines and Specifications

### Supports for Stanchion Mounted Cabinets and Platforms

Storage support stanchions lift underside of platforms or stanchion mounted wood or metal storage cabinets to 34" above the floor. Top of open or enclosed storage cabinets on stanchions align with Antenna 49" horizon.

Supports are available in sets of two for platforms or storage units up to 60" wide. Specify set of three stanchions for cabinets wider than 60".

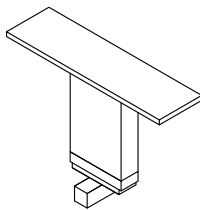
Select supports kit according to application on Big Table center beam, 25"H Fence, or 28"H Fence.

### Construction

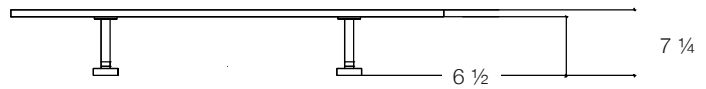
Stanchions are extruded aluminum, with cast adapters specific to center beam or Fence. Top plate connector to storage is steel.

### Specification Options

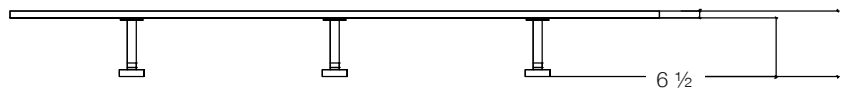
Stanchions are available in any Knoll Core paint finish, Dark Red or Slate Blue.



Stanchion



Platforms up to 60" wide require 2 stanchions

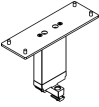
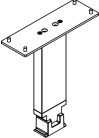
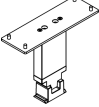


Platforms wider than 60" require 3 stanchions

Stanchion Planning Guidelines

# Stanchion Supports

## For Big Table and Fence

description	type	w	d	h	pattern no.	list
 Stanchions for Big Table	(2) stanchions for cabinets/platforms up to 60" wide	3"	1 1/4"	5"	<b>YSUS2BT</b>	\$125.
	(3) stanchions for cabinets/platforms wider than 60"	3"	1 1/4"	5"	<b>YSUS3BT</b>	190.
 Stanchions for 25" High Fence	(2) stanchions for cabinets/platforms up to 60" wide	3"	1 1/4"	8"	<b>YSUS2F25</b>	138.
	(3) stanchions for cabinets/platforms wider than 60"	3"	1 1/4"	8"	<b>YSUS3F25</b>	208.
 Stanchions for 28 1/2" High Fence	(2) stanchions for cabinets/platforms up to 60" wide	3"	1 1/4"	5"	<b>YSUS2F28</b>	125.
	(3) stanchions for cabinets/platforms wider than 60"	3"	1 1/4"	5"	<b>YSUS3F28</b>	190.

Ordering Information	Order Code	Included With	Options
<b>Stanchions</b> 1. Pattern Number 2. Paint Finish	<b>Stanchions</b> <i>Example:</i> YSUS2BT, 118T <b>YSUS</b> Stanchions <b>2</b> Quantity <b>BT</b> Big Table <b>118T</b> Bright White Paint	<b>Stanchions</b> Hardware	<b>Stanchions</b>

# Cantilever Shelves

## Planning Guidelines and Specifications

### Cantilever Shelves

Cantilever shelves provide additional level of work surface 6" above tops. Cantilever shelves are supported independently at any point on either side of Big Table center beam or clamp on to the back edge of Antenna desk tops. Cantilever shelves are available in 12"D x 12" or 24" wide laminate or veneer surface 3/4" thick. Maximum weight limit for a 12" x 12" shelf is 58 lbs and for a 12" x 24" shelf is 29 lbs.

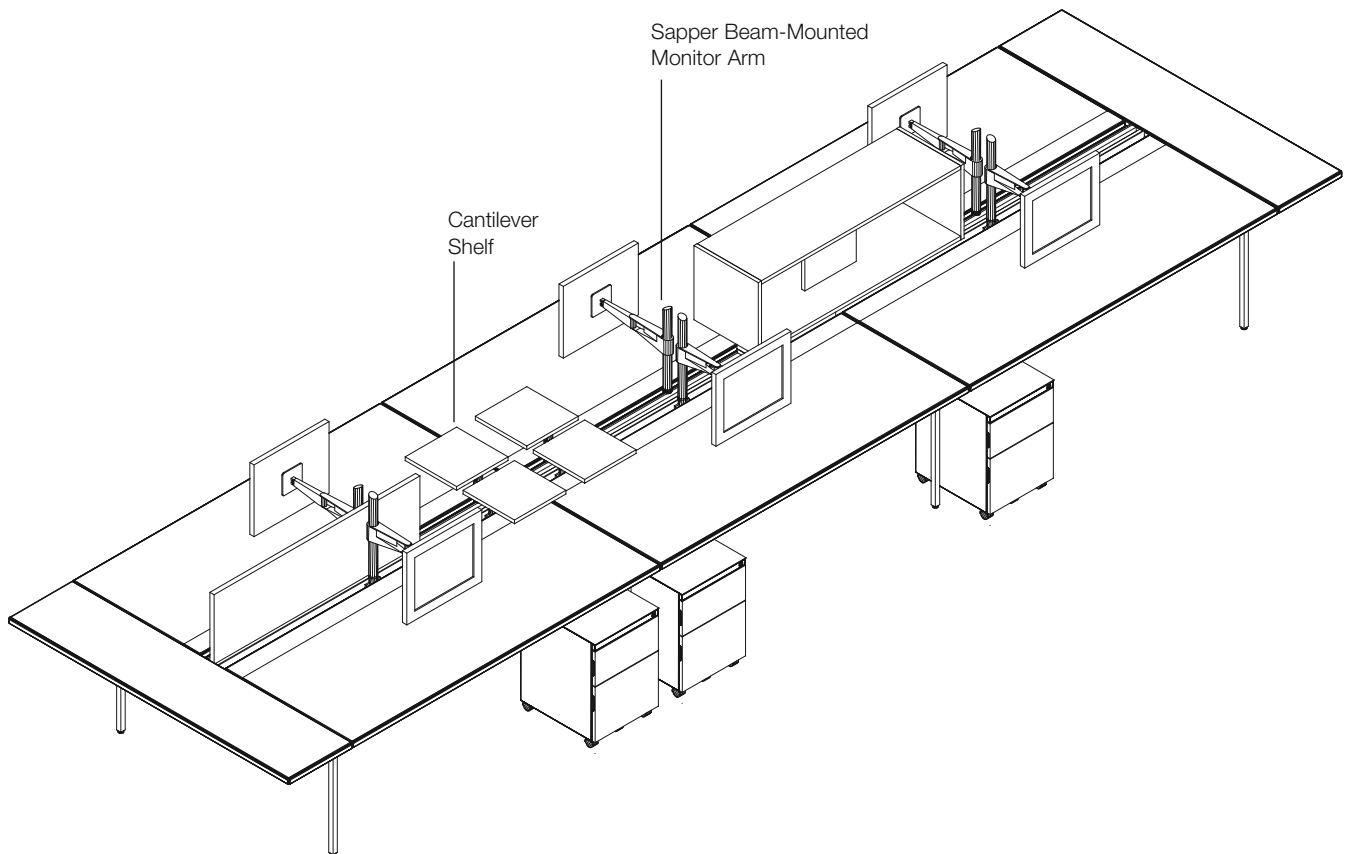
### Construction

Cantilever shelves are solid MDF with veneer or laminate surface

### Specification Options

Specify either a laminate (L) or veneer (V) surface. Surface finish is available in any Knoll Core laminate or veneer finish.

Cantilever support bracket is available in any Knoll Core paint finish, Dark Red or Slate Blue. Cantilever desk mounted clamp is Medium Grey.

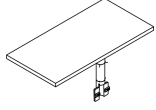


Big Table with Accessories

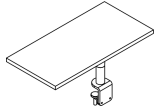
# Cantilever Shelves

## 12" and 24" Wide

description	w	d	h	pattern no.	Laminate (L)	V1 (V)	V2 (V)	V3 (V)
Cantilever Shelf for Big Table, attaches to center beam	12"	12"	6"	<b>YSCS1212()</b>	\$315.	\$439.	\$501.	\$677.
	24"	12"	6"	<b>YSCS2412()</b>	338.	476.	589.	878.



Desk Mounted Cantilever Shelf, clamps to worksurface	12"	12"	6"	<b>YSCSD1212()</b>	410.	538.	599.	775.
	24"	12"	6"	<b>YSCSD2412()</b>	437.	576.	688.	975.



### Ordering Information

#### Cantilever Shelf

1. Pattern Number
2. Shelf Finish
3. Support/Bracket Paint Finish

### Order Code

#### Cantilever Shelf

*Example:* YSCS2412L, 118, 118T

<b>YSCS</b>	Cantilever Shelf
<b>24</b>	Width
<b>12</b>	Depth
<b>L</b>	Laminate
<b>118</b>	Bright White Laminate
<b>118T</b>	Bright White Paint

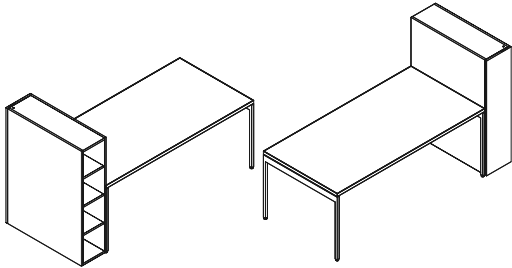
### Included With

**Cantilever Shelf**  
Support column  
Hardware

### Options

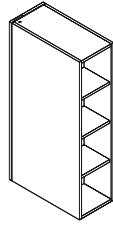
**Cantilever Shelf**  
Finish Options:  
(L) = Laminate  
(V) = Veneer

**Personal Desk-End Cabinets with Open Front and Hinged Door Back**

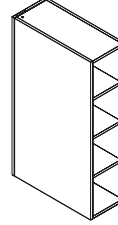


Desk with Personal Desk End Cabinet with Open Front and Hinged Door Back, Front

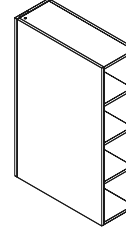
Desk with Personal Desk End Cabinet with Open Front and Hinged Door Back, Back



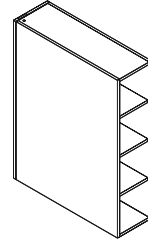
24" Deep



27" Deep

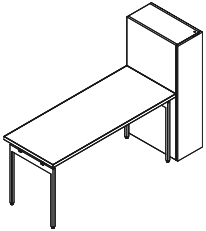


30" Deep

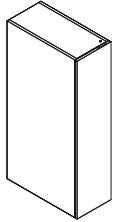


36" Deep

**Personal Desk-End Cabinets with Hinged Door**

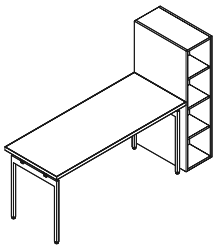


Desk with Personal Desk End Cabinet with Hinged Door

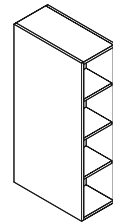


24" Deep

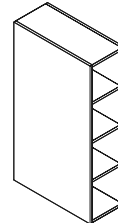
**Shared Desk-End Cabinets with Open Front and Back**



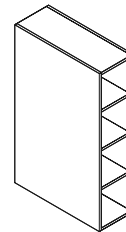
Desk with Shared Desk End Cabinet with Open Front and Back



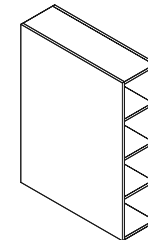
24" Deep



27" Deep

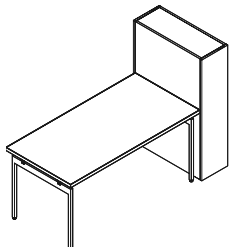


30" Deep

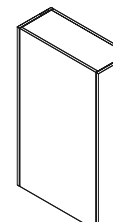


36" Deep

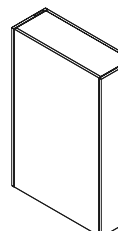
**Shared Desk-End Cabinets with Hinged Door Front and Back**



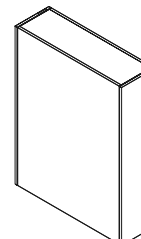
Desk with Shared Desk End Cabinet with Hinged Door Front and Back



27" Deep



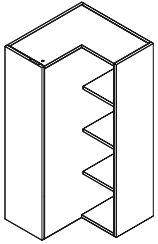
30" Deep



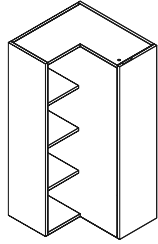
36" Deep



**L Cabinets**

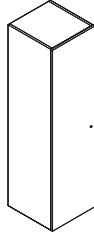


Door on Left



Door on Right

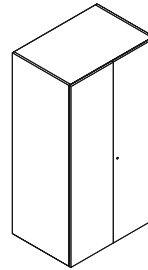
**Wardrobe Cabinets**



18" Wide  
Hinged on Left

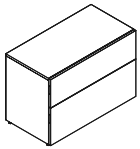


18" Wide  
Hinged on Right

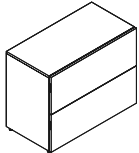


36" Wide  
Double Doors

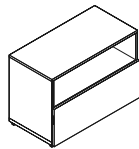
**File Cabinets**



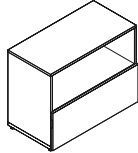
25" High



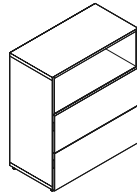
28" High



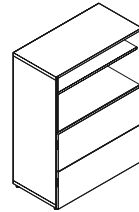
25" High



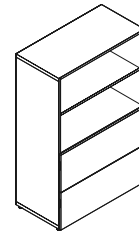
28" High



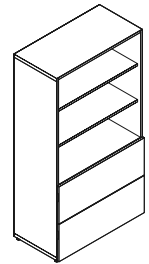
42" High



49" High

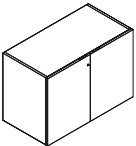


56" High

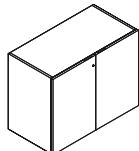


67" High

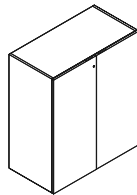
**Enclosed Shelf Cabinets**



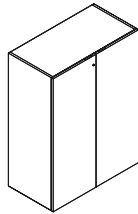
25" High



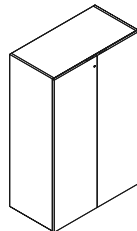
28" High



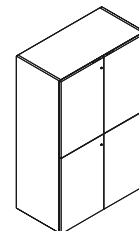
42" High



49" High

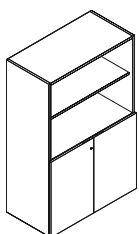


56" High

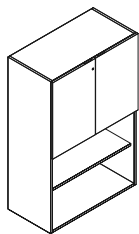


56" High

**Partially Enclosed Shelf Cabinets**

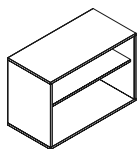


56" High

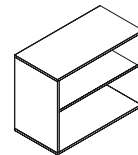


56" High

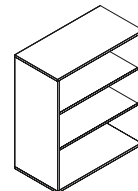
**Open Shelf Cabinets**



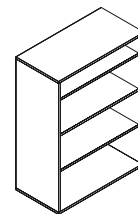
25" High



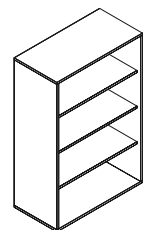
28" High



42" High



49" High



56" High

### Personal Desk-End Cabinets

Desk-end cabinets are space-efficient storage designed to provide enclosure at the end of a desk. Personal desk-end cabinets include brackets to secure side of cabinet to adjacent desk for stability.

Personal desk-end cabinets are 49"H, 12"W, and available in 24", 27", 30" and 36" depths.

Personal desk-end cabinets 27"-36"D include a partition dividing the depth of the cabinet, with three adjustable 12 1/2"D shelves in front and a coat hook and door in back.

Personal desk-end cabinet 24"D includes a fixed, flush back, and three adjustable 12 1/2"D shelves and door in front. Space in front of shelves is suitable for coat storage, with coathook included.

Shared desk-end cabinets can be specified in any core laminate or veneer for case, shelves and door.

Enclosed desk-end cabinets can also be specified in laminate with contrasting laminate or veneer doors.

### Construction

Desk-end cabinets are composed of 3/4" MDF panels joined in discreet, glue-and-dowel construction.

Doors open 135 degrees for easy access.

Desk-end cabinets include levelers with 1 1/2" travel.

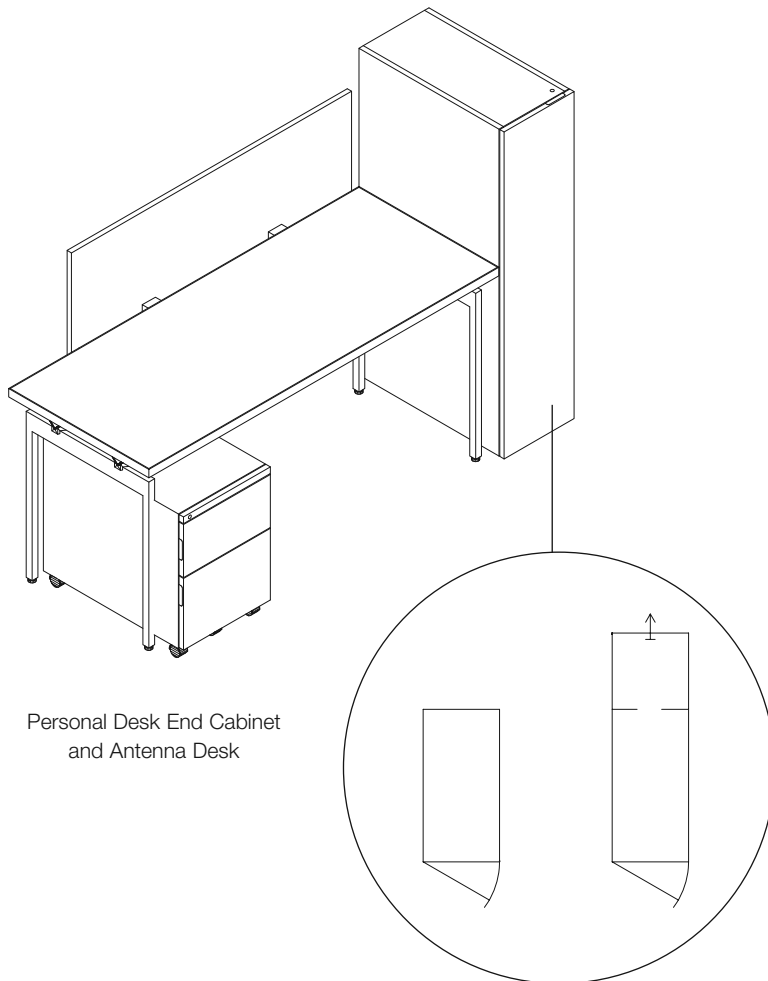
### Specification Options

Specify laminate (L), "mixed" two-tone laminate or laminate case with veneer front (M) or veneer (V) case. Cabinets are available either locking (L) or non-locking (N).

Case finish exterior is available in any Knoll Core laminate or veneer. When case exterior is specified laminate, specify drawer front finish in any Knoll Core laminate (L) or veneer (V).

Specify pull type: Edge (E), Insert (I) or Loop (O). Edge pulls are available in any Knoll Core paint finish, Dark Red, Slate Blue or in Chrome (PD). Loop pulls are available in any Knoll Core paint finish, Dark Red or Slate Blue. Insert pulls are available in Chrome (PD).

Brackets may be specified in any Knoll Core paint finish, Dark Red or Slate Blue.



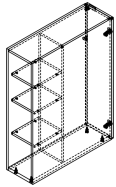
Personal Desk End Cabinet and Antenna Desk

Personal Desk End Cabinets

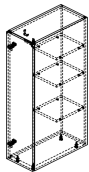
# Floorstanding Personal Desk-End Cabinets

## 49" High, Hinged on Left

description	type	w	d	h	pattern no.	All Same	Laminate	Laminate	Laminate	All V1 (V)	All V2 (V)	All V3 (V)
						Laminate (L)	Case w/ V1 Fronts (M)	Case w/ V2 Fronts (M)	Case w/ V3 Fronts (M)			
Personal Desk-End Cabinets, Open Front with Shelves and Hinged Door Back (Hinged on Left)	For 24" Deep Desks	12"	24 <sup>7</sup> / <sub>8</sub> "	49"	<b>YSFCDL4924 (JL)</b>	\$2,633.	\$2,898.	\$3,028.	\$3,162.	\$4,526.	\$5,205.	\$6,767.
	For 27" Deep Desks	12"	27 <sup>7</sup> / <sub>8</sub> "	49"	<b>YSFCDL4927 (JL)</b>	2,697.	2,966.	3,101.	3,236.	4,634.	5,330.	6,930.
	For 30" Deep Desks	12"	29 <sup>7</sup> / <sub>8</sub> "	49"	<b>YSFCDL4930 (JL)</b>	2,759.	3,036.	3,173.	3,311.	4,743.	5,457.	7,092.
	For 36" Deep Desks	12"	35 <sup>7</sup> / <sub>8</sub> "	49"	<b>YSFCDL4936 (JL)</b>	2,822.	3,103.	3,245.	3,386.	4,852.	5,580.	7,255.



Personal Desk-End Cabinets, with Hinged Door (Hinged on Left)	For 24" Deep Desks	12"	24 <sup>7</sup> / <sub>8</sub> "	49"	<b>YSFCDEL4924 (JL)</b>	2,730.	3,004.	3,140.	3,278.	4,726.	5,433.	7,064.
--	--------------------	-----	----------------------------------	-----	-------------------------	--------	--------	--------	--------	--------	--------	--------



### Ordering Information

#### Personal Desk-End Cabinets

1. Pattern Number
2. Case/Shelves Finish
3. Door Finish
4. Pull Type
5. Pull Finish
6. Bracket Paint Finish

### Order Code

#### Personal Desk-End Cabinets

*Example:* **YSFCDEL4924LL, 118, 118, E, 118T, 118T**

<b>YSFCDE</b>	Personal Desk-End Cabinets
<b>L</b>	Left Hinged Door
<b>49</b>	Height
<b>24</b>	Depth
<b>L</b>	Laminate
<b>L</b>	Lock
<b>118</b>	Bright White Laminate
<b>118</b>	Bright White Laminate
<b>E</b>	Edge Pull
<b>118T</b>	Bright White Paint
<b>118T</b>	Bright White Paint

### Included With

#### Personal Desk-End Cabinets with Shelves and Door

Hardware  
(3) Adjustable Shelves  
Coat Hooks

#### Personal Desk-End Cabinets with Hinged Door

Hardware  
(3) Adjustable Shelves  
Coat Hook

### Options

#### Personal Desk-End Cabinets

##### Case Finish Options:

(L) = All the same laminate for the exterior case/shelves and door front  
(M) = Laminate exterior case/shelves and veneer door front  
(V) = All the same veneer for the exterior case/shelves and door front

##### Lock Options:

To specify a personal desk-end cabinet without a lock, replace the "L" suffix in the pattern number with an "N".

##### Door Pull Options:

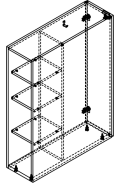
(E) = Edge Pull  
(I) = Insert Pull  
(O) = Loop Pull

See planning guide page for door pull finish options.

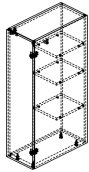
# Floorstanding Personal Desk-End Cabinets

## 49" High, Hinged on Right

description	type	w	d	h	pattern no.	All Same	Laminate	Laminate	Laminate	All V1	All V2	All V3
						Laminate (L)	Case w/ V1 Fronts (M)	Case w/ V2 Fronts (M)	Case w/ V3 Fronts (M)			
Personal Desk-End Cabinets, Open Front with Shelves and Hinged Door Back (Hinged on Right)	For 24" D Desks	12"	24 <sup>7</sup> / <sub>8</sub> "	49"	<b>YSFCDR4924( )L</b>	\$2,633.	\$2,898.	\$3,028.	\$3,162.	\$4,526.	\$5,205.	\$6,767.
	For 27" D Desks	12"	27 <sup>7</sup> / <sub>8</sub> "	49"	<b>YSFCDR4927( )L</b>	2,697.	2,966.	3,101.	3,236.	4,633.	5,330.	6,930.
	For 30" D Desks	12"	29 <sup>7</sup> / <sub>8</sub> "	49"	<b>YSFCDR4930( )L</b>	2,759.	3,036.	3,173.	3,311.	4,743.	5,457.	7,092.
	For 36" D Desks	12"	35 <sup>7</sup> / <sub>8</sub> "	49"	<b>YSFCDR4936( )L</b>	2,822.	3,103.	3,245.	3,386.	4,852.	5,580.	7,255.



Personal Desk-End Cabinets, with Hinged Door (Hinged on Right)	For 24" D Desks	12"	24 <sup>7</sup> / <sub>8</sub> "	49"	<b>YSFCDER4924( )L</b>	2,730.	3,004.	3,140.	3,278.	4,726.	5,433.	7,064.
--	-----------------	-----	----------------------------------	-----	------------------------	--------	--------	--------	--------	--------	--------	--------



### Ordering Information

#### Personal Desk-End Cabinets

1. Pattern Number
2. Case/Shelves Finish
3. Door Finish
4. Pull Type
5. Pull Finish
6. Bracket Paint Finish

### Order Code

#### Personal Desk-End Cabinets

*Example:* **YSFCDEL4924LL, 118, 118, E, 118T, 118T**

<b>YSFCDE</b>	Personal Desk-End Cabinets
<b>L</b>	Left Hinged Door
<b>49</b>	Height
<b>24</b>	Depth
<b>L</b>	Laminate
<b>L</b>	Lock
<b>118</b>	Bright White Laminate
<b>118</b>	Bright White Laminate
<b>E</b>	Edge Pull
<b>118T</b>	Bright White Paint
<b>118T</b>	Bright White Paint

### Included With

#### Personal Desk-End Cabinets with Shelves and Door

Hardware  
(3) Adjustable Shelves  
Coat Hooks

#### Personal Desk-End Cabinets with Hinged Door

Hardware  
(3) Adjustable Shelves  
Coat Hook

### Options

#### Personal Desk-End Cabinets

##### Case Finish Options:

(L) = All the same laminate for the exterior case/shelves and door front  
(M) = Laminate exterior case/shelves and veneer door front  
(V) = All the same veneer for the exterior case/shelves and door front

##### Lock Options:

To specify a personal desk-end cabinet without a lock, replace the "L" suffix in the pattern number with an "N".

##### Door Pull Options:

(E) = Edge Pull  
(I) = Insert Pull  
(O) = Loop Pull

See planning guide page for door pull finish options.

### Shared Desk-End Cabinets

Desk-end cabinets are space-efficient storage designed to provide enclosure at the end of a desk. Shared desk-end cabinets include brackets to secure side of cabinet to adjacent desk for stability.

Shared desk-end cabinets include a center partition dividing the depth of the cabinet, with openings in the front and back.

Open shared end cabinet includes three adjustable shelves on each side of the partition.

Open shared desk-end cabinets are 49"H, 12"W, and available in 24", 27", 30" and 36" depths.

Enclosed shared desk-end cabinets provide shared coat storage, and include a hinged door and a coat hook on each side. Specify shelves for one or both sides separately.

Adjustable shelf sets are available in sets of three, corresponding to the depth of the cabinet.

Enclosed shared desk-end cabinets are 49"H, 12"W, and available in 27", 30" and 36" depths.

Shared desk-end cabinets can be specified in any core laminate or veneer for case, shelves and door.

Enclosed desk-end cabinets can also be specified in laminate with contrasting laminate or veneer doors.

### Construction

Desk-end cabinets are composed of ¾" MDF panels joined in discreet, glue-and-dowel construction.

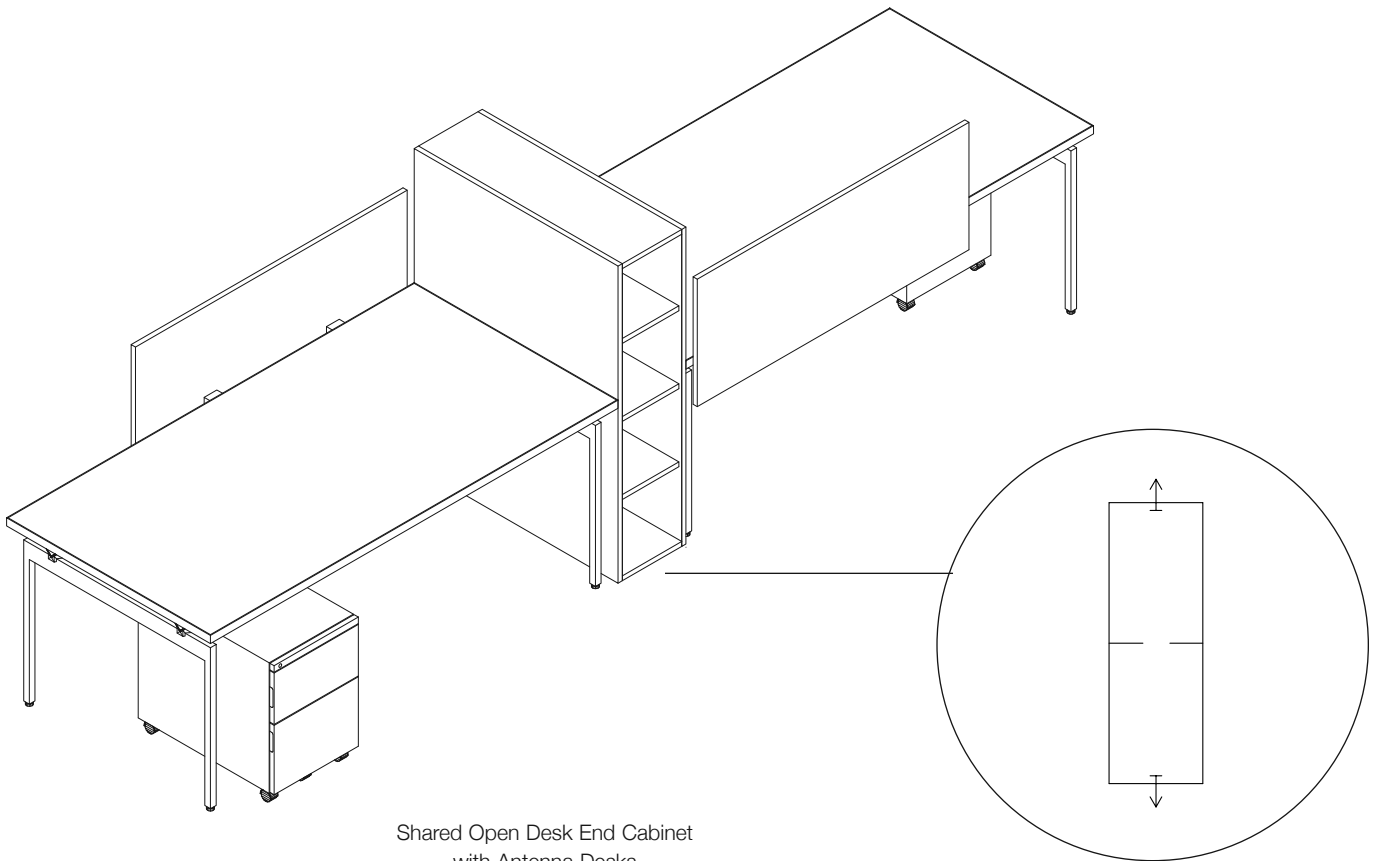
### Specification Options

Specify laminate (L), "mixed" two-tone laminate or laminate case with veneer front (M) or veneer (V) case. Cabinets are available either locking (L) or non-locking (N).

Case finish exterior is available in any Knoll Core laminate or veneer. When case exterior is specified laminate, specify drawer front finish in any Knoll Core laminate (L) or veneer (V).

Specify pull type: Edge (E), Insert (I) or Loop (O). Edge pulls are available in any Knoll Core paint finish, Dark Red, Slate Blue or in Chrome (PD). Loop pulls are available in any Knoll Core paint finish, Dark Red or Slate Blue. Insert pulls are available in Chrome (PD).

Brackets may be specified in any Knoll Core paint finish, Dark Red or Slate Blue.



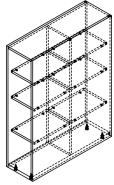
Shared Open Desk End Cabinet  
with Antenna Desks

Shared Desk End Cabinet

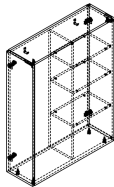
# Floorstanding Shared Desk-End Cabinets

## 49" High

description	type	w	d	h	pattern no.	All Same	Laminate	Laminate	Laminate	All V1	All V2	All V3
						Laminate (L)	Case w/ V1 Fronts (M)	Case w/ V2 Fronts (M)	Case w/ V3 Fronts (M)			
Shared Desk-End Cabinets, Open Front and Back with Shelves	For 24" Deep Desks	12"	24"	49"	<b>YSFCDO4924( )</b>	\$2,321.	n/a	n/a	n/a	\$3,816.	\$4,388.	\$5,706.
	For 27" Deep Desks	12"	27"	49"	<b>YSFCDO4927( )</b>	2,382.	n/a	n/a	n/a	3,925.	4,514.	5,869.
	For 30" Deep Desks	12"	30"	49"	<b>YSFCDO4930( )</b>	2,446.	n/a	n/a	n/a	4,036.	4,641.	6,033.
	For 36" Deep Desks	12"	36"	49"	<b>YSFCDO4936( )</b>	2,508.	n/a	n/a	n/a	4,143.	4,766.	6,195.



Shared Desk-End Cabinets, Enclosed Hinged Door Front and Back	For 27" Deep Desks	12"	28 <sup>7</sup> / <sub>8</sub> "	49"	<b>YSFCDE4927( )L</b>	2,713.	2,985.	3,121.	3,256.	4,477.	5,148.	6,694.
	For 30" Deep Desks	12"	31 <sup>7</sup> / <sub>8</sub> "	49"	<b>YSFCDE4930( )L</b>	2,752.	3,026.	3,166.	3,303.	4,540.	5,220.	6,786.
	For 36" Deep Desks	12"	37 <sup>7</sup> / <sub>8</sub> "	49"	<b>YSFCDE4936( )L</b>	2,846.	3,131.	3,272.	3,414.	4,694.	5,399.	7,020.



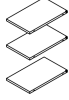
Ordering Information	Order Code	Included With	Options
<b>Shared Desk-End Cabinets</b> 1. Pattern Number 2. Case/Shelves Finish 3. Door Finish 4. Pull Type 5. Pull Finish 6. Bracket Paint Finish	<b>Shared Desk-End Cabinets</b> <i>Example:</i> <b>YSFCDE4930LL, 118, 118, E, 118T, 118T</b> <b>YSFCDE</b> Shared Desk-End Cabinets <b>49</b> Height <b>30</b> Depth <b>L</b> Laminate <b>L</b> Lock <b>118</b> Bright White Laminate <b>118</b> Bright White Laminate <b>E</b> Edge Pull <b>118T</b> Bright White Paint <b>118T</b> Bright White Paint	<b>Shared Desk-End Cabinets, Open Front and Back</b> Hardware (6) Adjustable Shelves  <b>Shared Desk-End Cabinets, Enclosed Hinged Door Front and Back</b> Hardware (2) Coat Hooks Shelves for one or both sides are specified separately  <b>Shelves</b> (3) Shelves Hardware	<b>Shared Desk-End Cabinets</b>  <b>Case/Shelf Finish Options:</b> (L) = All the same laminate for the exterior case/shelves and door front (M) = Laminate exterior case/shelves and veneer door front (V) = All the same veneer for the exterior case/shelves and door front  <b>Lock Options:</b> To specify a shared desk-end cabinet without a lock, replace the "L" suffix in the pattern number with an "N".  <b>Door Pull Options:</b> (E) = Edge Pull (I) = Insert Pull (O) = Loop Pull

See planning guide page for door pull finish options.

# Floorstanding Desk-End Cabinet Accessories

## *Adjustable Shelf Set and Coat Hook*

description	type	w	d	h	pattern no.	list	All Same	Laminate	Laminate	Laminate	All V1	All V2	All V3
							Laminate	Case w/	Case w/	Case w/			
							(L)	V1 Fronts	V2 Fronts	V3 Fronts	(V)	(V)	(V)
Adjustable Shelf Set for Shared Desk-End Cabinets, Enclosed Hinged Door Front and Back	For 27" Deep Desks	10"	12 1/2"	3/4"	<b>YSFCDASK27()</b>	n/a	\$511.	n/a	n/a	n/a	\$994.	\$1,141.	\$1,486.
	For 30" Deep Desks	10"	13"	3/4"	<b>YSFCDASK30()</b>	n/a	516.	n/a	n/a	n/a	999.	1,150.	1,493.
	For 36" Deep Desks	10"	16"	3/4"	<b>YSFCDASK36()</b>	n/a	527.	n/a	n/a	n/a	1,018.	1,170.	1,524.



Coat hook					<b>YSCH</b>	25.	n/a	n/a	n/a	n/a	n/a	n/a	n/a
-----------	--	--	--	--	-------------	-----	-----	-----	-----	-----	-----	-----	-----



Ordering Information	Order Code	Included With	Options
<b>Shelves</b>	<b>Shelves</b>	<b>Shelves</b>	<b>Shelves</b>
1. Pattern Number	<i>Example:</i> <b>YSFCDASK30L, 118</b>	(3) Shelves	<b>Coat Hook</b>
2. Surface Finish	<b>YSFCDA</b> Shelves	Hardware	
<b>Coat Hook</b>	<b>SK</b>	<b>Coat Hook</b>	
1. Pattern Number	<b>30</b> Depth	Hardware	
	<b>L</b> Laminate		
	<b>118</b> Bright White Laminate		
	<b>Coat Hook</b>		
	<i>Example:</i> <b>YSCH</b>		
	<b>YSCH</b> Coat Hook		

### Floorstanding L cabinets

L cabinets are unique L-shape storage designed to provide definition and privacy for the individual workspace. L cabinets are freestanding.

L cabinets are 49"H, 24"W x 24"D, overall with a 12" wide, 12"D surround for shelves opening to the inside of the L, and a 12"W, 24"D coat storage area with a coat bar and door.

L cabinets can be specified in any core laminate or veneer for case, shelves and door.

L cabinets can also be specified in laminate with contrasting laminate or veneer doors.

Cabinets with wardrobe and door hinge on left are considered left handed; those with wardrobe and door hinge on right are considered right handed.

### Wardrobes

Wardrobes are available for personal coat storage within a workspace. Single door 18" wide wardrobes come with a coat hook and 36" wide double door units come with a coat rod. Wardrobes are 19" deep and 67" high. Wardrobes can be specified in any core laminate or veneer for case, shelves and door. Wardrobes can also be specified in laminate with contrasting laminate or veneer doors. 36" wide wardrobes open using a touch latch.

### Construction

Floorstanding L cabinets and wardrobes cabinets are composed of ¾" MDF panels joined in discreet, glue-and-dowel construction.

Doors open 135 degrees for easy access.

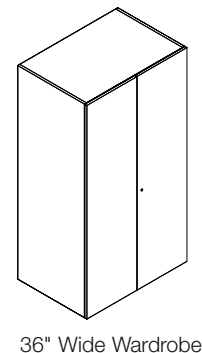
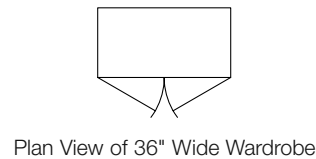
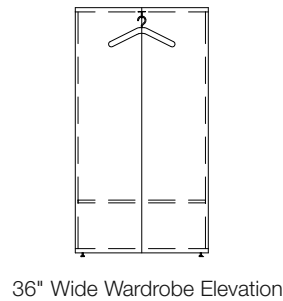
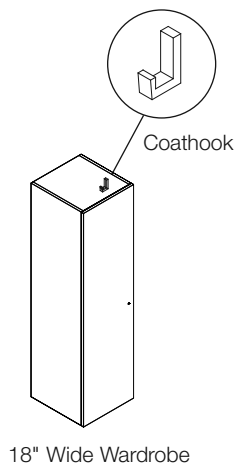
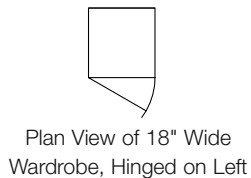
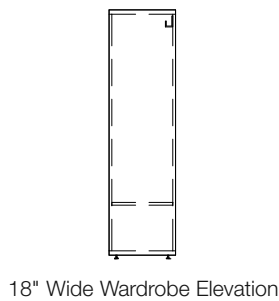
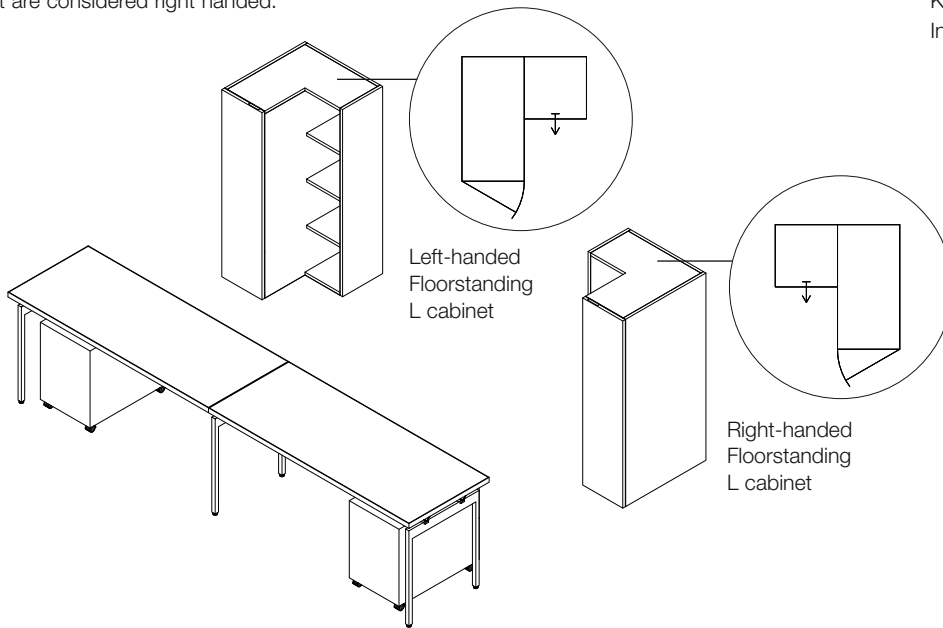
Cabinets include levelers with 1 ½" travel.

### Specification Options

Specify laminate (L), "mixed" two-tone laminate or laminate case with veneer front (M) or veneer (V) case. Cabinets are available either locking (L) or non-locking (N).

Case finish exterior is available in any Knoll Core laminate or veneer. When case exterior is specified laminate, specify drawer front finish in any Knoll Core laminate (L) or veneer (V).

Specify pull type: Edge (E), Insert (I) or Loop (O). Edge pulls are available in any Knoll Core paint finish, Dark Red, Slate Blue or in Chrome (PD). Loop pulls are available in any Knoll Core paint finish, Dark Red or Slate Blue. Insert pulls are available in Chrome (PD).

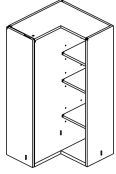




# Floorstanding L and Wardrobe Cabinets

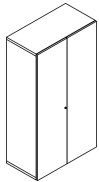
## 49" and 67" High

description	type	w	d	h	pattern no.	All Same	Laminate	Laminate	Laminate	All V1	All V2	All V3
						Laminate (L)	Case w/ V1 Fronts (M)	Case w/ V2 Fronts (M)	Case w/ V3 Fronts (M)			
L Cabinet	Door on Left	12"	23 <sup>3</sup> / <sub>4</sub> "	49"	<b>YSFCWL4924( )L</b>	\$3,450.	\$3,795.	\$3,968.	\$4,138.	\$6,113.	\$7,031.	\$9,140.
	Door on Right	12"	23 <sup>3</sup> / <sub>4</sub> "	49"	<b>YSFCWR4924( )L</b>	3,450.	3,795.	3,968.	4,138.	6,113.	7,031.	9,140.

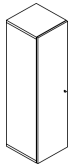


(Left Shown)

36" Wide Wardrobe	Double Doors	36"	18 <sup>7</sup> / <sub>8</sub> "	67"	<b>YSFCWD6736( )L</b>	3,135.	3,450.	3,605.	3,763.	5,235.	6,019.	7,825.
-------------------	--------------	-----	----------------------------------	-----	-----------------------	--------	--------	--------	--------	--------	--------	--------



18" Wide Wardrobe	Hinged on Left	18"	18 <sup>7</sup> / <sub>8</sub> "	67"	<b>YSFCWL6718( )L</b>	2,446.	2,690.	2,814.	2,936.	3,925.	4,514.	5,869.
	Hinged on Right	18"	18 <sup>7</sup> / <sub>8</sub> "	67"	<b>YSFCWR6718( )L</b>	2,446.	2,690.	2,814.	2,936.	3,925.	4,514.	5,869.



Ordering Information	Order Code	Included With	Options
<b>L Cabinets</b> 1. Pattern Number 2. Case/Shelves Finish 3. Door Finish 4. Pull Type 5. Pull Finish  <b>Wardrobes</b> 1. Pattern Number 2. Case Finish 3. Door Finish 4. Pull Type 5. Pull Finish	<b>L Cabinets</b>  <i>Example:</i> YSFCWL4924LL, 118, 118, E, 118T  <b>YSFCW</b> L Cabinets <b>L</b> Door on Left <b>49</b> Height <b>24</b> Depth <b>L</b> Laminate <b>L</b> Lock <b>118</b> Bright White Laminate <b>118</b> Bright White Laminate <b>E</b> Edge Pull <b>118T</b> Bright White Paint	<b>L Cabinets</b> Coat bar  <b>18" Wide Wardrobes</b> Coat Hook  <b>36" Wide Wardrobes</b> Coat Rod	<b>L Cabinets and Wardrobes</b>  <b>Finish Options:</b> (L) = All the same laminate for the exterior case/shelves and door front (M) = Laminate exterior case/shelves and veneer door front (V) = All the same veneer for the exterior case/shelves and door front  <b>Lock Options:</b> To specify an L cabinet without a lock, replace the "L" suffix in the pattern number with an "N".  <b>Door Pull Options:</b> (E) = Edge Pull (I) = Insert Pull (O) = Loop Pull

See planning guide page for door pull finish options.

# Floorstanding File Cabinets

## Planning Guidelines and Specifications

File cabinets provide filing space for individual or group workspaces. Finished on all sides, file cabinets are freestanding and are applicable in private offices, as credenza storage or along a storage wall.

File cabinets are 36" wide, 19" deep and available in six horizons to align with other floorstanding cabinets and critical Antenna heights:

- 25"H cabinet, with 6"H shelf or personal drawer over one file, aligns with Antenna desk legs and can support one end of an Antenna desk.
- 28"H cabinet, with 12"H shelf or file drawer over one file drawer, aligns with Antenna desk height.
- 42"H cabinet, with 12"H shelf over two files, aligns with Antenna screens to 42"H horizon.
- 49"H cabinet, with 6" and 12"H shelves over two files, aligns with screens to 49"H horizon.

- 56"H cabinet, with two 12"H shelves over two files.
- 67"H cabinet, with one 11 1/2"H and two 12"H shelves, which can align with an open or enclosed cabinet, wall mounted 24" above desk height.

Desk support adapters must be specified separately for desk support applications. Counterweight/ballast kits should be specified for file cabinets in applications that are not connected to a desk or other storage cabinets.

The upper shelf in 49" and 56"H cabinets and the two upper shelves in 67"H cabinets can be adjusted in height. File drawers are sized for side-to-side, suspended letter-depth or legal-depth file folders.

### Construction

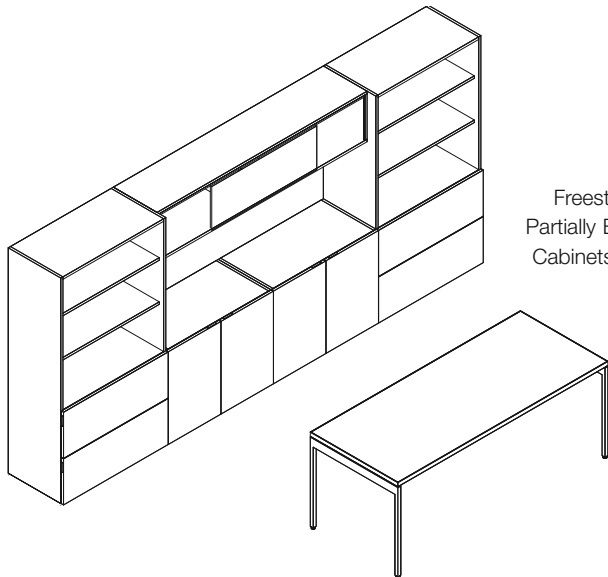
Floorstanding cabinets are composed of 3/4" MDF panels joined in discreet, glue-and-dowel construction, with a 1-1/4"H base for stability.

Floorstanding cabinets include levelers with 1-1/2" travel.

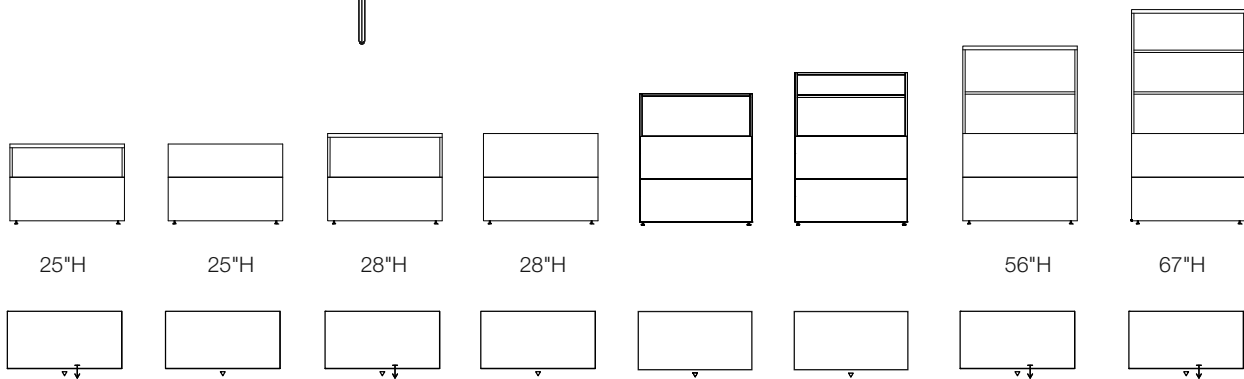
Drawer bodies are black painted steel construction, 33"W x 16"D, with full extension, ball bearing drawer slides. Each drawer also includes a side-to-side letter filing support, 33"W, and two front-to-back supports for letter or legal-width suspended filing.

### Specification Options

Specify laminate (L), "mixed" twotone laminate or laminate case with veneer front (M) or veneer (V) case. File cabinets are always locking. Case finish exterior is available in any Knoll Core laminate or veneer. When case exterior is specified in laminate, specify drawer front finish in any Knoll Core laminate (L) or veneer (V). Specify pull type: Edge (E), Insert (I) or Loop (O). Edge pulls are available in any Knoll Core paint finish, Dark Red, Slate Blue or in Chrome (PD). Loop pulls are available in any Knoll Core paint finish, Dark Red or Slate Blue. Insert pulls are available in Chrome (PD).



Freestanding Private Office with Partially Enclosed Cabinets, Enclosed Cabinets and Wall Mounted Cabinet

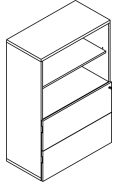


File Cabinet Heights

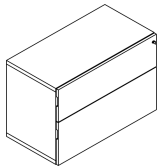
# Floorstanding File Cabinets

## 25", 28", 42", 49", 56" and 67" High

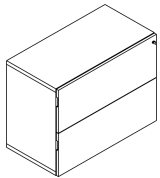
description	w	d	h	pattern no.	list	All Same	Laminate	Laminate	Laminate	All V1	All V2	All V3
						Laminate (L)	Case w/ V1 Fronts (M)	Case w/ V2 Fronts (M)	Case w/ V3 Fronts (M)			
Partially Enclosed Shelf Cabinets with Open Shelves Above and Drawers Below (56" high shown)	36"	18 <sup>7</sup> / <sub>8</sub> "	42"	<b>YSFCOFF4236( )L</b>	\$0.	\$3,450.	\$3,870.	\$3,968.	\$4,138.	\$5,231.	\$5,895.	\$7,661.
	36"	18 <sup>7</sup> / <sub>8</sub> "	49"	<b>YSFCOFF4936( )L</b>	0.	3,637.	4,080.	4,183.	4,363.	5,562.	6,271.	8,152.
	36"	18 <sup>7</sup> / <sub>8</sub> "	56"	<b>YSFCOFF5636( )L</b>	0.	3,825.	4,292.	4,400.	4,591.	5,895.	6,646.	8,642.
	36"	18 <sup>7</sup> / <sub>8</sub> "	67"	<b>YSFCOFF6736( )L</b>	0.	4,013.	4,503.	4,615.	4,815.	6,229.	7,023.	9,130.



Enclosed Box/File Cabinet	36"	18 <sup>7</sup> / <sub>8</sub> "	25"	<b>YSFCBF2536( )L</b>	0.	2,822.	3,166.	3,245.	3,386.	4,226.	4,766.	6,195.
---------------------------	-----	----------------------------------	-----	-----------------------	----	--------	--------	--------	--------	--------	--------	--------



Enclosed File/File Cabinet	36"	18 <sup>7</sup> / <sub>8</sub> "	28"	<b>YSFCFF2836( )L</b>	0.	2,883.	3,237.	3,317.	3,460.	4,338.	4,891.	6,359.
----------------------------	-----	----------------------------------	-----	-----------------------	----	--------	--------	--------	--------	--------	--------	--------

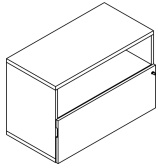


Ordering Information	Order Code	Included With	Options
<b>Floorstanding File Cabinets</b>	<b>Floorstanding File Cabinets</b>	<b>Floorstanding File Cabinets</b>	<b>Floorstanding File Cabinets</b>
1. Pattern Number	<i>Example:</i> YSFCFF2836LL, 118, 118, E, 118T	Levelling glides	<b>Finish Options:</b>
2. Case Finish		File bars	(L) = All the same laminate for the exterior case/shelves and door front
3. Door Finish	<b>YSFCFF</b> Enclosed File Cabinets		(M) = Laminate exterior case/shelves and veneer door front
4. Pull Type	<b>28</b> Height		(V) = All the same veneer for the exterior case/shelves and door front
5. Pull Finish	<b>36</b> Width		<b>Lock Options:</b>
	<b>L</b> Laminate		To specify an enclosed shelf cabinet without a lock, replace the "L" suffix in the pattern number with an "N".
	<b>L</b> Lock		<b>Door Pull Options:</b>
	<b>118</b> Bright White Laminate		(E) = Edge Pull
	<b>118</b> Bright White Laminate		(I) = Insert Pull
	<b>E</b> Edge Pull		(O) = Loop Pull
	<b>118T</b> Bright White Paint		See planning guide page for door pull finish options.

# Floorstanding File Cabinets

## 25", 28", 42", 49", 56" and 67" High

description	w	d	h	pattern no.	list	All Same Laminate (L)	Laminate Case w/ V1 Fronts (M)	Laminate Case w/ V2 Fronts (M)	Laminate Case w/ V3 Fronts (M)	All V1 (V)	All V2 (V)	All V3 (V)
Partially Enclosed File Cabinet (25" high shown)	36"	18 <sup>7</sup> / <sub>8</sub> "	25"	<b>YSFCOF2536( )L</b>	\$0.	\$2,633.	\$2,955.	\$3,028.	\$3,162.	\$3,893.	\$4,388.	\$5,706.
	36"	18 <sup>7</sup> / <sub>8</sub> "	28"	<b>YSFCOF2836( )L</b>	0.	2,697.	3,027.	3,101.	3,236.	4,002.	4,514.	5,869.



File Cabinet				<b>YSFWB36</b>	440.	0.	0.	0.	0.	0.	0.	0.
Ballast/Counterweight												

Ordering Information	Order Code	Included With	Options
<b>Floorstanding File Cabinets</b> 1. Pattern Number 2. Case Finish 3. Door Finish 4. Pull Type 5. Pull Finish	<b>Floorstanding File Cabinets</b> <i>Example:</i> YSFCFF2836LL, 118, 118, E, 118T <hr/> <b>YSFCFF</b> Enclosed File Cabinets <hr/> <b>28</b> Height <hr/> <b>36</b> Width <hr/> <b>L</b> Laminate <hr/> <b>L</b> Lock <hr/> <b>118</b> Bright White Laminate <hr/> <b>118</b> Bright White Laminate <hr/> <b>E</b> Edge Pull <hr/> <b>118T</b> Bright White Paint	<b>Floorstanding File Cabinets</b> Levelling glides File bars	<b>Floorstanding File Cabinets</b> <b>Finish Options:</b> (L) = All the same laminate for the exterior case/shelves and door front (M) = Laminate exterior case/shelves and veneer door front (V) = All the same veneer for the exterior case/shelves and door front <b>Lock Options:</b> To specify an enclosed shelf cabinet without a lock, replace the "L" suffix in the pattern number with an "N". <b>Door Pull Options:</b> (E) = Edge Pull (I) = Insert Pull (O) = Loop Pull See planning guide page for door pull finish options.

# Floorstanding Enclosed Shelf Cabinets

## Planning Guidelines and Specifications

### Enclosed Shelf Cabinets

Floorstanding shelf cabinets are designed to provide space definition and privacy for group workspaces. Shelf cabinets are finished on all sides.

Shelf cabinets are freestanding and applicable in private offices as credenza or storage wall.

Each shelf cabinet is 36" wide and 18" deep overall, and available in 25", 28", 42", 49" and 56" horizons.

All cabinets have two full-height doors. 56"H floorstanding cabinet units are also available with four doors, split at the center to align with adjacent 28"H cabinets or desk height.

25" and 28" high cabinets are also available with a partially open back for wire management access through the back of the cabinet.

A 6" opening starts 12" above the ground providing access above and below the shelf.

### Construction

Floorstanding cabinets are composed of ¾" MDF panels joined in discreet, glue-and-dowel construction, with a 1 ¼"H base for stability.

Hinged doors open 135 degrees for easy access.

Floorstanding cabinets include levelers with 1 ½" travel.

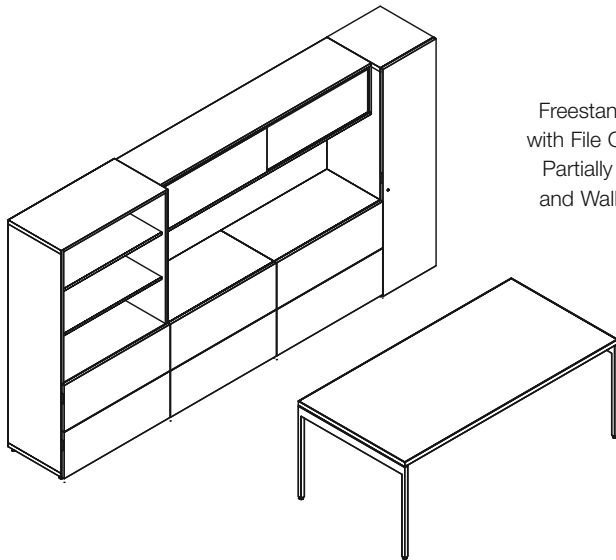
### Specification Options

Shelf cabinets can be specified in any core laminate or veneer for case, shelves and doors. Shelf cabinets can also be specified in laminate with contrasting laminate or veneer doors.

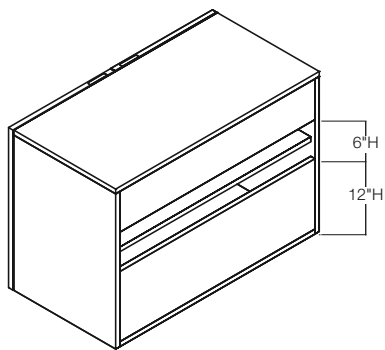
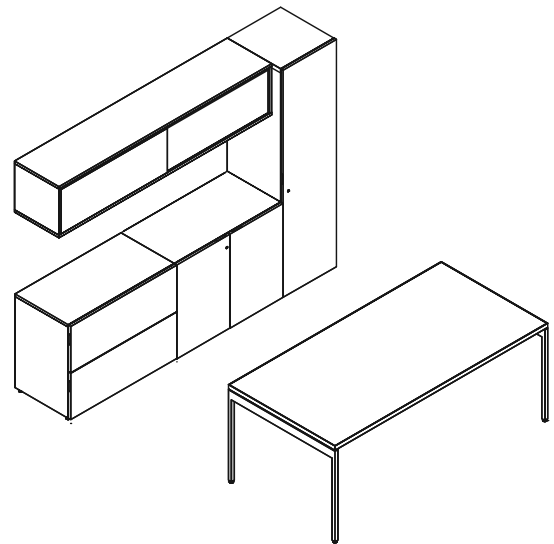
Specify laminate (L), "mixed" two-tone laminate or laminate case with veneer front (M) or veneer (V) case. Cabinets are available either locking (L) or non-locking (N).

Case finish exterior is available in any Knoll Core laminate or veneer. When case exterior is specified laminate, specify drawer front finish in any Knoll Core laminate (L) or veneer (V).

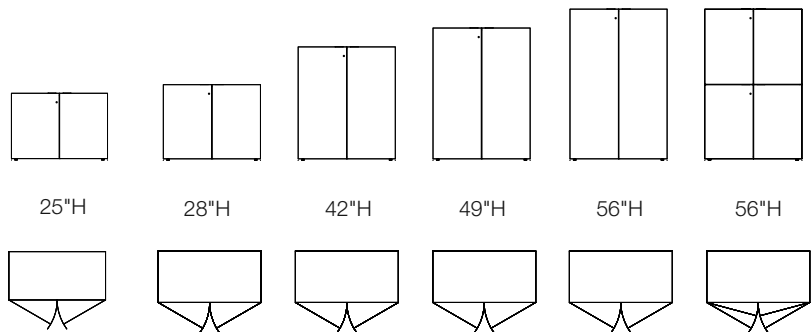
Specify pull type: Edge (E), Insert (I) or Loop (O). Edge pulls are available in any Knoll Core paint finish, Dark Red, Slate Blue or in Chrome (PD). Loop pulls are available in any Knoll Core paint finish, Dark Red or Slate Blue. Insert pulls are available in Chrome (PD).



Freestanding Private Office with File Cabinets, Wardrobe, Partially Enclosed Cabinet and Wall Mounted Cabinet



25" High Enclosed Shelf Cabinet with Hinged Doors, Partially Open Back



Enclosed Shelf and File Cabinet Heights

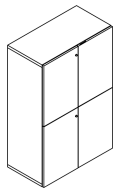
# Floorstanding Enclosed Shelf Cabinets

## 25", 28", 42", 49" and 56" High

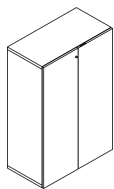
Antenna Workspaces

description	w	d	h	pattern no.	list	All Same	Laminate	Laminate	Laminate	All V1	All V2	All V3
						Laminate (L)	Case w/ V1 Fronts (M)	Case w/ V2 Fronts (M)	Case w/ V3 Fronts (M)			

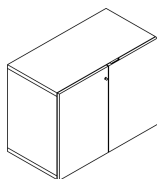
Enclosed Shelf Cabinet with Four Doors	36"	18 <sup>7</sup> / <sub>8</sub> "	56"	<b>YSFC4D5636( )L</b>	n/a	\$3,763.	\$4,221.	\$4,329.	\$4,514.	\$6,784.	\$7,650.	\$9,944.
--	-----	----------------------------------	-----	-----------------------	-----	----------	----------	----------	----------	----------	----------	----------



Enclosed Shelf Cabinets with Two Doors (56" high shown)	36"	18 <sup>7</sup> / <sub>8</sub> "	25"	<b>YSFC2D2536( )L</b>	n/a	2,257.	2,483.	2,595.	2,708.	4,036.	4,641.	6,033.
	36"	18 <sup>7</sup> / <sub>8</sub> "	28"	<b>YSFC2D2836( )L</b>	n/a	2,321.	2,552.	2,669.	2,783.	4,143.	4,766.	6,195.
	36"	18 <sup>7</sup> / <sub>8</sub> "	42"	<b>YSFC2D4236( )L</b>	n/a	2,633.	2,898.	3,028.	3,162.	4,798.	5,519.	7,174.
	36"	18 <sup>7</sup> / <sub>8</sub> "	49"	<b>YSFC2D4936( )L</b>	n/a	3,073.	3,380.	3,535.	3,685.	5,562.	6,398.	8,315.
	36"	18 <sup>7</sup> / <sub>8</sub> "	56"	<b>YSFC2D5636( )L</b>	n/a	3,386.	3,723.	3,895.	4,065.	6,107.	7,023.	9,130.



Enclosed Shelf Cabinets with Two Doors and Partially Open Back (28" high shown)	36"	18 <sup>7</sup> / <sub>8</sub> "	25"	<b>YSFC2D02536( )</b>	n/a	2,257.	2,483.	2,595.	2,708.	4,036.	4,641.	6,033.
	36"	18 <sup>7</sup> / <sub>8</sub> "	28"	<b>YSFC2D02836( )</b>	n/a	2,321.	2,552.	2,669.	2,783.	4,143.	4,766.	6,195.



Ordering Information	Order Code	Included With	Options
<b>Enclosed Shelf Cabinets</b>	<b>Enclosed Shelf Cabinets</b>	<b>Enclosed Shelf Cabinets</b>	<b>Enclosed Shelf Cabinets</b>
1. Pattern Number	<i>Example:</i> YSFC2D4936LL, 118,	Shelves	<b>Finish Options:</b>
2. Case/Shelves Finish	118, 118, E, 118T	Levelling glides	(L) = All the same laminate for the exterior case/shelves and door front
3. Door Finish	<b>YSFC</b> Enclosed Shelf Cabinets		(M) = Laminate exterior case/shelves and veneer door front
4. Pull Type	<b>2D</b> Two Doors		(V) = All the same veneer for the exterior case/shelves and door front
5. Pull Finish	<b>49</b> Height		<b>Lock Options:</b>
	<b>36</b> Width		To specify an enclosed shelf cabinet without a lock, replace the "L" suffix in the pattern number with an "N".
	<b>L</b> Laminate		<b>Door Pull Options:</b>
	<b>L</b> Lock		(E) = Edge Pull
	<b>118</b> Bright White Laminate		(I) = Insert Pull
	<b>118</b> Bright White Laminate		(O) = Loop Pull
	<b>E</b> Edge Pull		See planning guide page for door pull finish options.
	<b>118T</b> Bright White Paint		

### Partially Enclosed Cabinets

Partially enclosed cabinets are designed for storage and space definition in open plan workspaces, and can also serve as credenza or work wall in private offices and conference rooms. Partially enclosed cabinets combine partial and full 12 <sup>3</sup>/<sub>8</sub>"H binder height shelf storage with files or shelves with doors. Floorstanding cabinets are freestanding and finished on all sides.

Partially enclosed cabinets with doors are 36" wide, 19" deep and 56" high. Doors may be specified to cover the top half of the cabinet, with two open fixed binder height shelves below, or cover the bottom half of the cabinet with two fixed height open shelves above.

The upper shelf in 49"H and 56"H cabinets and the two upper shelves in 67"H cabinet can be adjusted in height.

### Construction

Floorstanding cabinets are composed of <sup>3</sup>/<sub>4</sub>" MDF panels joined in discreet, glue-and-dowel construction, with a 1 <sup>1</sup>/<sub>4</sub>"H base for stability. Floorstanding cabinets with file drawers are equipped with an interlock for stability. Hinged doors open 135 degrees for easy access. Floorstanding cabinets include levelers with 1 <sup>1</sup>/<sub>2</sub>" travel.

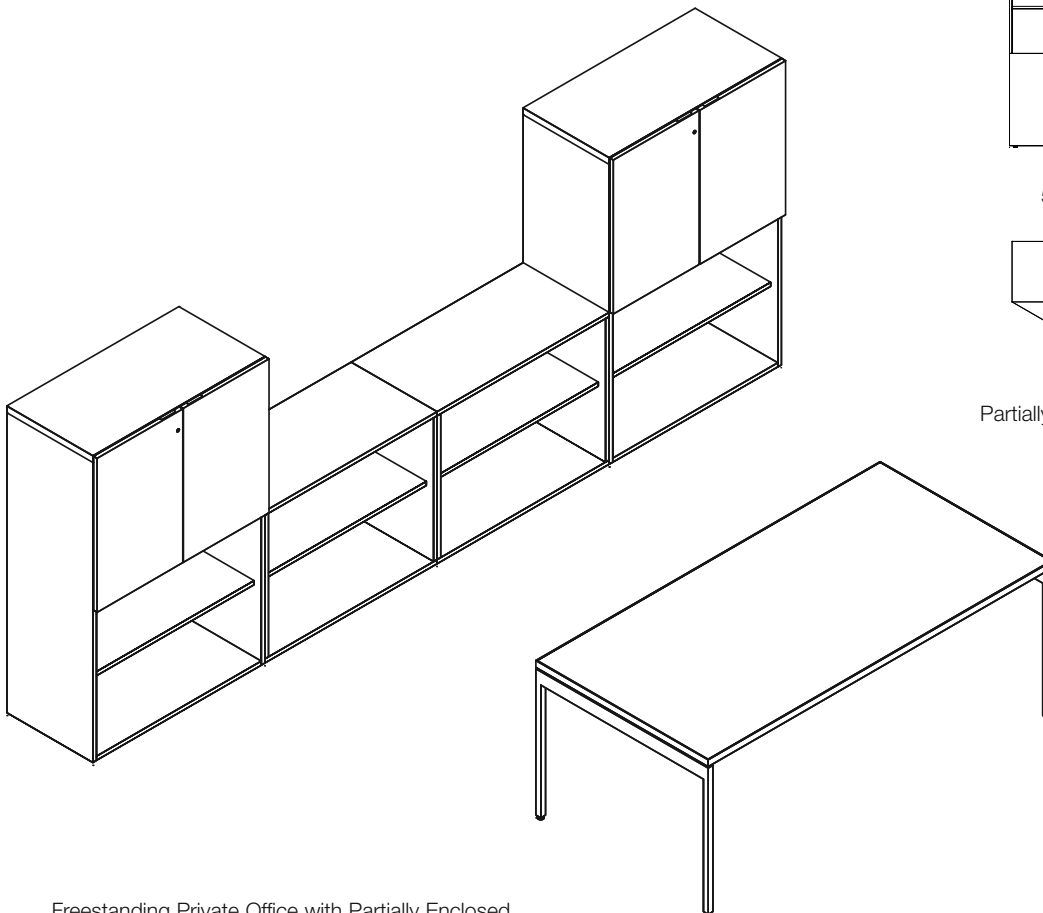
### Specification Options

Specify laminate (L), "mixed" two-tone laminate or laminate case with veneer front (M) or veneer (V) case. Cabinets are available either locking (L) or non-locking (N).

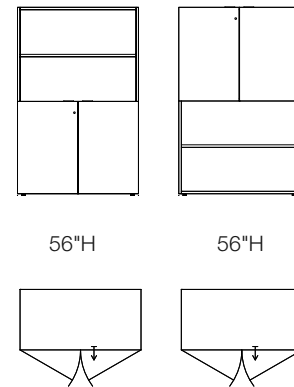
Case finish exterior is available in any Knoll Core laminate or veneer. When case exterior is specified laminate, specify drawer front finish

in any Knoll Core laminate (L) or veneer (V).

Specify pull type: Edge (E), Insert (I) or Loop (O). Edge pulls are available in any Knoll Core paint finish, Dark Red, Slate Blue or in Chrome (PD). Loop pulls are available in any Knoll Core paint finish, Dark Red or Slate Blue. Insert pulls are available in Chrome (PD).



Freestanding Private Office with Partially Enclosed Shelf Cabinets and Open Shelf Cabinets



56"H

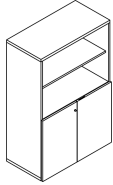
56"H

Partially Enclosed Shelf Cabinet Heights

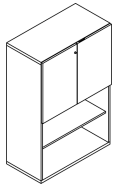
# Floorstanding Partially Enclosed Shelf Cabinets

## 42", 49", 56" and 67" High

description	w	d	h	pattern no.	All Same	Laminate	Laminate	Laminate	All V1	All V2	All V3
					Laminate	Case w/	Case w/	Case w/			
					(L)	V1 Fronts	V2 Fronts	V3 Fronts	(V)	(V)	(V)
Partially Enclosed Shelf Cabinet with Open Shelves Above and Enclosed Shelves Below	36"	18 <sup>7</sup> / <sub>8</sub> "	56"	<b>YSFC02D5636( )L</b>	\$3,259.	\$3,586.	\$3,750.	\$3,913.	\$5,755.	\$6,621.	\$8,606.



Partially Enclosed Shelf Cabinet with Enclosed Shelves Above and Open Shelves Below	36"	18 <sup>7</sup> / <sub>8</sub> "	56"	<b>YSFC2D05636( )L</b>	3,259.	3,586.	3,750.	3,913.	5,755.	6,621.	8,606.
---	-----	----------------------------------	-----	------------------------	--------	--------	--------	--------	--------	--------	--------



Ordering Information	Order Code	Included With	Options
<b>Partially Enclosed Shelf Cabinets</b>	<b>Partially Enclosed Shelf Cabinets</b>	<b>Partially Enclosed Shelf Cabinets</b>	<b>Partially Enclosed Shelf Cabinets</b>
1. Pattern Number	<i>Example:</i> YSFC2D4936LL, 118,	Shelves	<b>Finish Options:</b>
2. Case/Shelves Finish	118, 118, E, 118T	Levelling glides	(L) = All the same laminate for the exterior case/shelves and door fronts
3. Door Finish	<b>YSFC</b> Enclosed Shelf Cabinets	<b>Partially Enclosed Shelf Cabinet with Drawers</b>	(M) = Laminate exterior case/shelves and veneer door fronts
4. Pull Type	<b>2D</b> Two Doors	Levelling glides	(V) = All the same veneer for the exterior case/shelves and door fronts
5. Pull Finish	<b>49</b> Height	Filing bars	<b>Lock Options:</b>
	<b>36</b> Width		To specify a partially enclosed shelf cabinet without a lock, replace the "L" suffix in the pattern number with an "N".
	<b>L</b> Laminate		<b>Door Pull Options:</b>
	<b>L</b> Lock		(E) = Edge Pull
	<b>118</b> Bright White Laminate		(I) = Insert Pull
	<b>118</b> Bright White Laminate		(O) = Loop Pull
	<b>E</b> Edge Pull		See planning guide page for door pull finish options.
	<b>118T</b> Bright White Paint		



# Floorstanding Open Shelf Cabinets

## Planning Guidelines and Specifications

### Open Shelf Cabinets

Floorstanding shelf cabinets are designed to provide space definition and privacy for group workspaces. Shelf cabinets are finished on all sides.

Shelf cabinets are freestanding and applicable in private offices as credenza or storage wall.

Each shelf cabinet is 36" wide and 18" deep overall, and available in 25", 28", 42", 49" and 56" horizons.

25" and 28" high cabinets are also available with a partially open back for wire management access through the back of the cabinet.

A 6" opening starts 12" above the ground providing access above and below the shelf.

Open shelf cabinets have fixed height shelves.

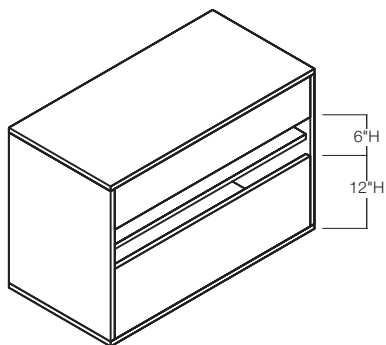
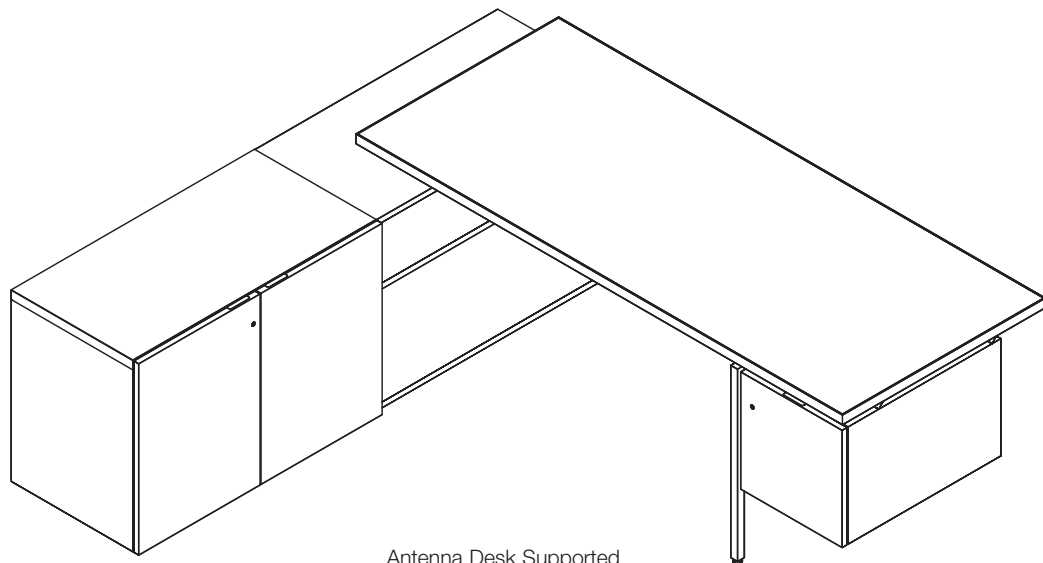
### Construction

Floorstanding cabinets are composed of ¾" MDF panels joined in discreet, glue-and-dowel construction, with a 1 ¼"H base for stability.

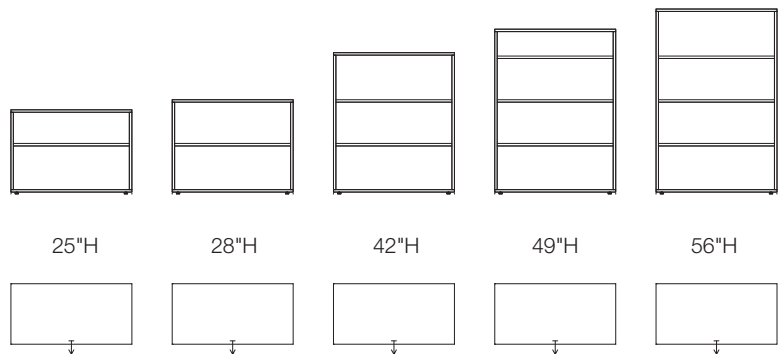
Floorstanding cabinets include levelers with 1 ½" travel.

### Specification Options

Specify laminate (L) or veneer (V) case. Case finish is available in any Knoll Core laminate or veneer. When a laminate case is specified, shelves may be specified in any Knoll Core laminate (L) or veneer (V).



25" High Open Shelf Cabinet, Partially Open Back

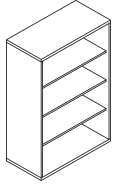


Open Shelf Cabinet Configurations

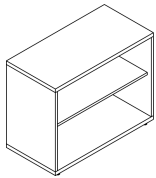
# Floorstanding Open Shelf Cabinets

## 25", 28", 42", 49" and 56" High

description	w	d	h	pattern no.	Laminate (L)	V1 (V)	V2 (V)	V3 (V)
Open Shelf Cabinets (56" high shown)	36"	18"	25"	<b>YSFCOS2536( )</b>	\$1,755.	\$3,010.	\$3,460.	\$4,503.
	36"	18"	28"	<b>YSFCOS2836( )</b>	1,820.	3,135.	3,605.	4,691.
	36"	18"	42"	<b>YSFCOS4236( )</b>	2,133.	3,637.	4,233.	5,435.
	36"	18"	49"	<b>YSFCOS4936( )</b>	2,257.	4,013.	4,615.	6,001.
	36"	18"	56"	<b>YSFCOS5636( )</b>	2,382.	4,263.	4,902.	6,377.



Open Shelf Cabinets with Partially Open Back (28" high shown)	36"	18"	25"	<b>YSFCOSO2536( )</b>	1,755.	3,010.	3,460.	4,503.
	36"	18"	28"	<b>YSFCOSO2836( )</b>	1,820.	3,135.	3,605.	4,691.



### Ordering Information

#### Open Shelf Cabinets

1. Pattern Number
2. Case Finish
3. Shelf Finish (Laminate Only)

### Order Code

#### Open Shelf Cabinets

*Example:* YSFCOS4936L, 118, 118

<b>YSFCOS</b>	Open Shelf Cabinets
<b>49</b>	Height
<b>36</b>	Width
<b>L</b>	Laminate
<b>118</b>	Bright White Laminate
<b>118</b>	Bright White Laminate

### Included With

**Open Shelf Cabinets**  
Fixed height shelves  
Levelling glides

### Options

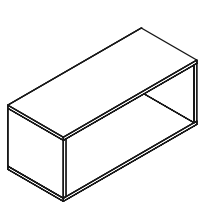
#### Open Shelf Cabinets

**Finish Options:**  
(L) = Laminate  
(V) = Veneer

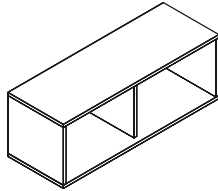
---

**Wood Cabinets**

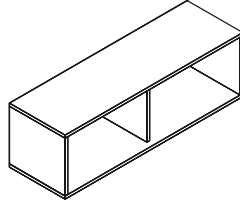
**Open Shelf Cabinets**



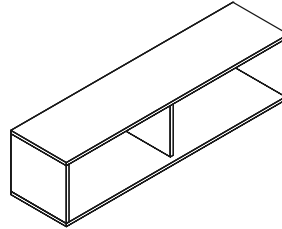
36" Wide



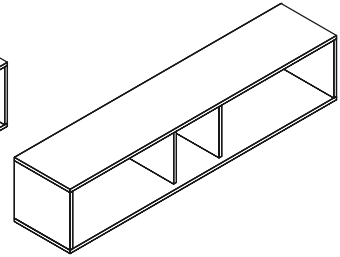
42" Wide



48" Wide

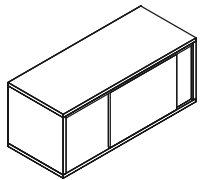


60" Wide

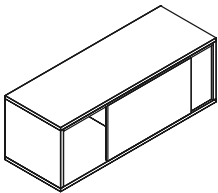


72" Wide

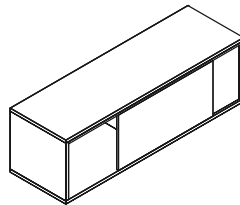
**Sliding Door Cabinets**



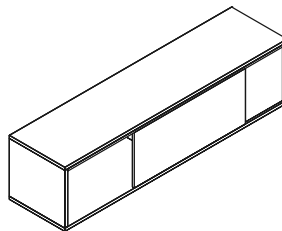
36" Wide



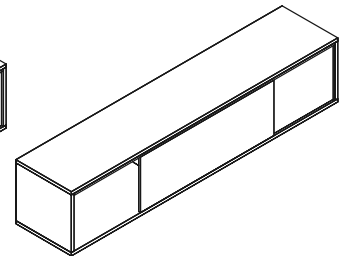
42" Wide



48" Wide



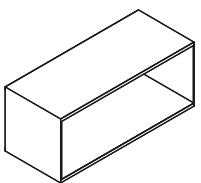
60" Wide



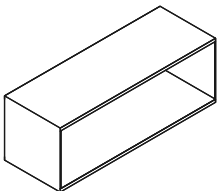
72" Wide

**Metal Cabinets**

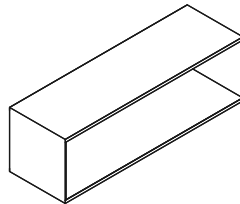
**Open Front and Enclosed Back Cabinets**



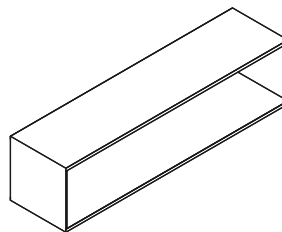
36" Wide



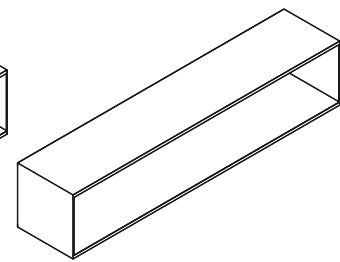
42" Wide



48" Wide

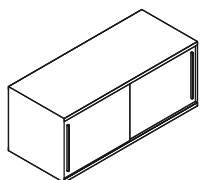


60" Wide

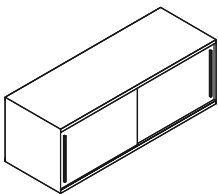


72" Wide

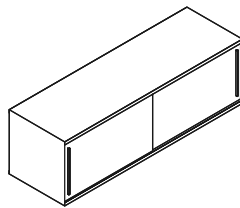
**Sliding Door Cabinets**



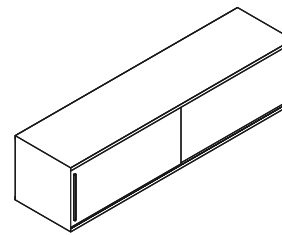
36" Wide



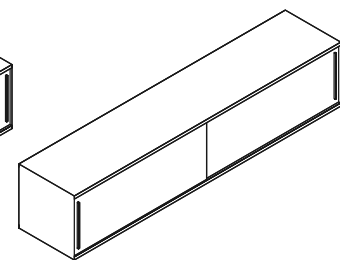
42" Wide



48" Wide



60" Wide



72" Wide

# Wall Mounted Wood Cabinets

## Open and Sliding Doors

### Planning Guidelines and Specifications

#### Wall Mounted Wood Cabinets

Wall mounted wood cabinets provide binder storage within private offices or walled, group workspaces. Cabinets are available in two configurations: open front with enclosed back, or fully enclosed, with overlapping sliding doors.

Cabinets mount on slim profile aluminum cleat, included.

Open and enclosed cabinets are available in 36", 42", 48", 60" and 72" widths, with a center partition for structure. Enclosed cabinets have two half-width doors, in laminate or veneer surface.

All wall mounted cabinets are 15"H x 15"D, with 13 1/2" clear interior height for binder storage. Cabinets can be specified in laminate or veneer. Open cabinets can also be specified in a combination of core laminates for the case and contrasting core or "pop" color laminates for all interior surfaces.

#### Construction

Case is composed of 3/4" thick wood panels, with discreet glue-and-dowel connections.

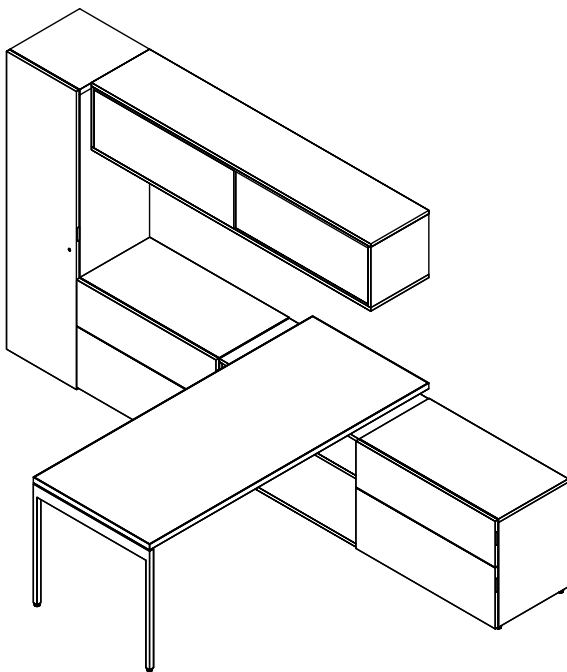
#### Specification Options

Specify laminate (L) or veneer (V) case.

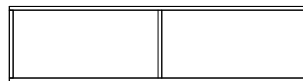
Case finish exterior is available in any Knoll Core laminate, patterned or woodgrain laminate up to 60"W, or veneer. When the case exterior is laminate, case interior is available in any Knoll Core or Accent laminate. When an Accent laminate is specified, the edgeband will match the exterior core laminate finish.

Door sets are specified separately to enable any combination of wood or laminate case and doors. Specify drawer front sets in any Knoll Core laminate (L) or veneer (V).

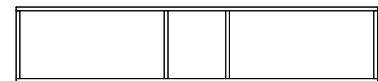
Pulls are available in any Knoll Core paint finish, Dark Red or Slate Blue.



Private Office Application with Wall Mounted Cabinet, Wardrobe and File Cabinets



60"W Open Cabinet Elevation



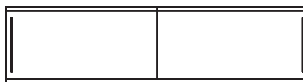
72"W Open Cabinet Elevation



60"W Open Cabinet Plan



72"W Open Cabinet Plan



60"W Sliding Door Cabinet Elevation



72"W Sliding Door Cabinet Elevation



60"W Sliding Door Cabinet Plan





72"W Sliding Door Cabinet Plan

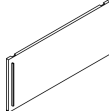
# Wall Mounted Wood Cabinets

## Laminate or Veneer Case

### 36", 42", 48", 60" or 72" Wide

description	w	d	h	pattern no.	All Same Laminate (L)	Different Laminate Case/ Interior (Core Lam.) (L)	Different Laminate Case/ Interior (Accent Lam.) (L)	V1	V2	V3
Wall Mounted Wood Cabinets, Open Front and Enclosed Back 	36"	15 1/2"	15"	<b>YSWMO3615()</b>	\$1,524.	\$1,675.	\$2,223.	\$2,223.	\$2,556.	\$3,195.
	42"	15 1/2"	15"	<b>YSWMO4215()</b>	1,582.	1,743.	2,329.	2,329.	2,680.	3,348.
	48"	15 1/2"	15"	<b>YSWMO4815()</b>	1,645.	1,808.	2,436.	2,436.	2,801.	3,501.
	60"	15 1/2"	15"	<b>YSWMO6015()</b>	1,755.	1,930.	2,508.	2,508.	2,883.	3,750.
	72"	15 1/2"	15"	<b>YSWMO7215()</b>	1,881.	2,070.	2,822.	2,822.	3,245.	4,218.

Wall Mounted Wood Cabinets, Sliding Door Cabinet Case 	36"	15 1/2"	15"	<b>YSWMS3615()</b>	1,826.	2,010.	2,648.	2,648.	3,044.	3,804.
	42"	15 1/2"	15"	<b>YSWMS4215()</b>	1,888.	2,076.	2,753.	2,753.	3,167.	3,957.
	48"	15 1/2"	15"	<b>YSWMS4815()</b>	1,948.	2,144.	2,858.	2,858.	3,287.	4,110.
	60"	15 1/2"	15"	<b>YSWMS6015()</b>	2,070.	2,276.	3,010.	3,010.	3,386.	4,252.
	72"	15 1/2"	15"	<b>YSWMS7215()</b>	2,194.	2,415.	3,324.	3,324.	3,748.	4,720.

Sliding Door Set for Wall Mounted Wood Cabinets 	36"	3/4"	15"	<b>YSSD3615()</b>	616.	n/a	n/a	964.	1,109.	1,386.
	42"	3/4"	15"	<b>YSSD4215()</b>	670.	n/a	n/a	995.	1,146.	1,430.
	48"	3/4"	15"	<b>YSSD4815()</b>	725.	n/a	n/a	1,015.	1,166.	1,460.
	60"	3/4"	15"	<b>YSSD6015()</b>	786.	n/a	n/a	1,096.	1,266.	1,649.
	72"	3/4"	15"	<b>YSSD7215()</b>	847.	n/a	n/a	1,193.	1,368.	1,782.

Ordering Information	Order Code	Included With	Options
<b>Wall Mounted Wood Cabinets</b> 1. Pattern Number 2. Exterior Case Finish 3. Interior Case Finish (Laminate only)  <b>Sliding Door</b> 1. Pattern Number 2. Door Finish 3. Pull Finish	<b>Wall Mounted Wood Cabinets</b> <hr/> <i>Example:</i> <b>YSWMO6015L, 118, 118</b> <b>YSWMO</b> Wall Mounted Wood Cabinets <hr/> <b>60</b> Width <hr/> <b>15</b> Depth <hr/> <b>L</b> Laminate <hr/> <b>118</b> Bright White Laminate Exterior <hr/> <b>118</b> Bright White Laminate Interior <hr/> <b>Sliding Doors</b> <i>Example:</i> YSSD6015L, 118, E, 118T <hr/> <b>YSSD</b> Sliding Door <hr/> <b>60</b> Width <hr/> <b>15</b> Depth <hr/> <b>L</b> Laminate <hr/> <b>118</b> Bright White Laminate <hr/> <b>118T</b> Bright White Paint	<b>Wall Mounted Wood Cabinets</b>  <b>Sliding Doors</b> Hardware	<b>Wall Mounted Wood Cabinets</b>  <b>Case Finish Options:</b> (L) = All the same or different laminates for the exterior and interior case (V) = All the same veneer for the exterior and interior case  <b>Sliding Doors</b>  <b>Door Finish Options:</b> (L) = Laminate (V) = Veneer  Door pulls are available in Knoll core paints, Dark Red (130) and Slate Blue (131) paint finishes.

# Wall Mounted Metal Cabinets

## Open and Sliding Doors

### Planning Guidelines and Specifications

#### Wall Mounted Metal Cabinets

Wall mounted metal cabinets provide binder storage within private offices or walled, group workspaces. Cabinets are available in two configurations: open front with enclosed back, or fully enclosed, with overlapping sliding doors.

Cabinets mount on slim profile aluminum cleat, included.

Open and enclosed cabinets are available in 36", 42", 48", 60" and 72" widths. 60" and 72" wide open cabinets have a center partition for structure. Enclosed cabinets have two overlapping half-width painted metal doors.

All wall mounted cabinets are 15"H x 15"D, with 13 1/2" clear interior height for binder storage. Cabinets can be specified in all painted finish case and interior, with matching or contrasting doors finish.

Metal cabinets can be specified with a lock.

#### Construction

Cabinet top and bottom are formed to 3/4" thick, and sides are flat, heavy gauge steel.

Sliding doors are contained within perimeter frame.

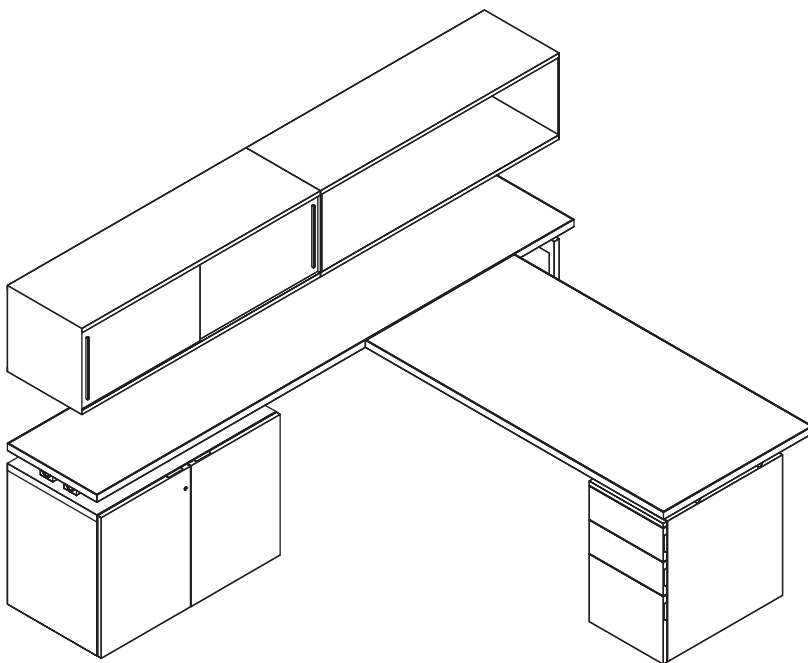
#### Specification Options

For open cabinets, specify case finish in any Knoll Core paint finish.

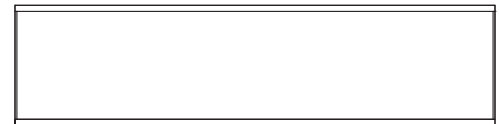
For enclosed cabinets, specify locking (L) or non-locking (N).

When different paint finishes are being selected for the case, doors or pulls, add a (Y) suffix to the pattern number. If a single paint finish is being specified for all components add an (S).

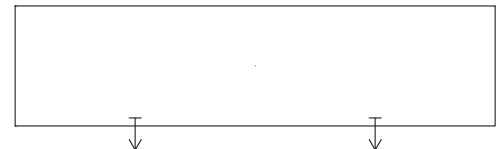
Specify case, doors and pulls in any Knoll Core paint finish.



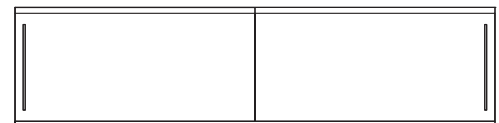
Private Office Application with Wall Mounted Metal Cabinets



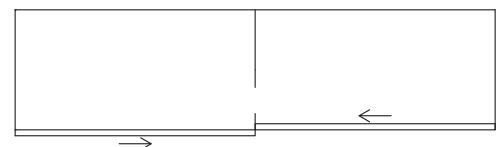
Open Cabinet Elevation



Open Cabinet Plan



Sliding Door Cabinet Elevation



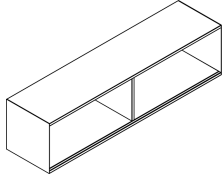
Sliding Door Cabinet Plan

# Wall Mounted Metal Cabinets

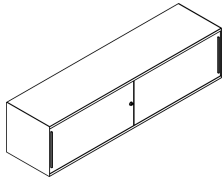
## Open and Sliding Doors

### 36", 42", 48", 60" or 72" Wide

description	w	d	h	pattern no.	P1	P2	P3
Wall Mounted Metal Cabinets, Open Front and Enclosed Back	36"	15"	15"	<b>YSMWMO36</b>	\$863.	\$949.	\$993.
	42"	15"	15"	<b>YSMWMO42</b>	904.	995.	1,040.
	48"	15"	15"	<b>YSMWMO48</b>	959.	1,057.	1,104.
	60"	15"	15"	<b>YSMWMO60</b>	1,236.	1,358.	1,420.
	72"	15"	15"	<b>YSMWMO72</b>	1,349.	1,487.	1,553.



Wall Mounted Metal Cabinets, with Sliding Doors	36"	15"	15"	<b>YSMWMS36L</b>	1,047.	1,152.	1,202.
	42"	15"	15"	<b>YSMWMS42L</b>	1,094.	1,202.	1,256.
	48"	15"	15"	<b>YSMWMS48L</b>	1,156.	1,267.	1,325.
	60"	15"	15"	<b>YSMWMS60L</b>	1,443.	1,583.	1,654.
	72"	15"	15"	<b>YSMWMS72L</b>	1,572.	1,726.	1,801.



#### Ordering Information

##### Wall Mounted Metal Cabinets, Open Front

1. Pattern Number
2. Case Finish

##### Wall Mounted Metal Cabinets with Sliding Door

1. Pattern Number
2. Paint Configuration
3. Case Finish
4. Door Finish
5. Pull Finish

#### Order Code

##### Wall Mounted Open Front Metal Cabinets

*Example:* **YSMWMO60, 118T**

**YSMWMO** Wall Mounted Metal  
Cabinets

**60** Width

**118T** Bright White Paint

##### Wall Mounted Metal Cabinets with Sliding Door

*Example:* **YSMWMS60LY, 118T,**  
**613, 118T**

**YSMW** Wall Mounted Metal

**MS** Cabinet

**60** Width

**L** Lock

**Y** Different Paint Finishes

**118T** Bright White Painted  
Case

**613** Silver Painted Door

**118T** Bright White Painted  
Pull

#### Included With

##### Wall Mounted Metal Cabinets, Open Front

Full width interlocking wall mount  
cleats

##### Wall Mounted Metal Cabinets with Sliding Doors

Full width interlocking wall mount  
cleats

#### Options

##### Wall Mounted Metal Cabinets, Open Front

##### Wall Mounted Metal Cabinets with Sliding Doors

##### Paint Configuration Options:

Add (S) or (Y) at the end of the  
pattern number to specify the paint  
configuration.

(S) = Same paint finish on case and  
sliding door

(Y) = Different paint finish on case  
and sliding door

When different paint finishes are  
being selected for the case, doors or  
pulls, the price is the higher of the  
two paint finish grades.

##### Lock Option:

To specify a wall mounted metal  
cabinet with sliding doors without a  
lock replace the "L" suffix in the  
pattern number with an "N".

##### Pull Finish Options:

Door pulls are available in Knoll  
core paints, Dark Red (130) and  
Slate Blue (131) paint finishes.

# LED Task Lights

## Planning Guidelines and Specifications

### LED Task Lights

LED task lights mount into the recess in the underside of metal or wood overhead cabinets at least 5" wider than the task light width. LED task lights must be ordered separately from storage cabinets.

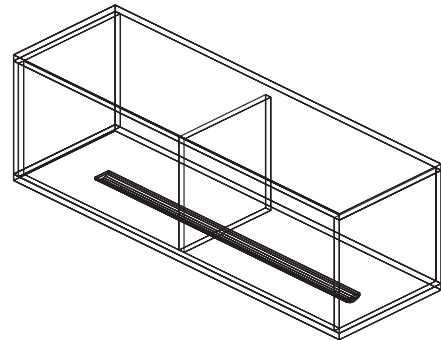
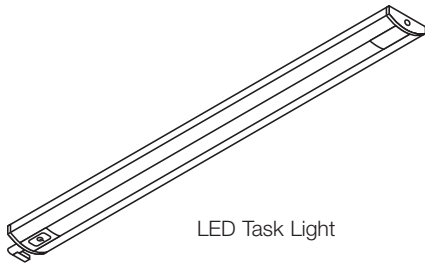
LED task lights include LED's, a power supply with 9'-12' cord and mounting hardware. The power supply cord attaches to either end of the fixture, allowing for easier access to the closest available duplex.

LED task lights are TCLP compliant and meet requirements of California Title 20 and Title 24. Task lights are approved for New York City installations.

### Construction

Housings are clear anodized aluminum with white color end-caps.

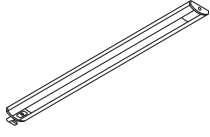
Model Number	Fixture Length	Lamp Length	Lamp Watts	Input Watts
YL4L17	17"	16.4"	6.6	7.8
YL4L31	31"	30.1"	14.8	17.6
YL4L44	44"	43.7"	21.8	25.9
YL4L58	58"	57.4"	28.2	33.6





# LED Task Lights

*for wood and metal overhead storage*

description	type	w	d	h	pattern no.	list
	For use with 24" and wider overheads (24 LED's)	17"	2"	1/2"	<b>YL4L17</b>	\$551.
	For use with 36" and wider overheads (48 LED's)	31"	2"	1/2"	<b>YL4L31</b>	920.
	For use with 48" and wider overheads (72 LED's)	44"	2"	1/2"	<b>YL4L44</b>	1,200.
	For use with 66" and wider overheads (96 LED's)	58"	2"	1/2"	<b>YL4L58</b>	1,505.

## Ordering Information

### LED Task Lights

1. Pattern Number

## Order Code

### LED Task Lights

*Example:* **YL4L17**

<b>YL4</b>	Task Light
<b>L</b>	LED
<b>17</b>	Width

## Included With

### LED Task Lights

LED's  
Power Supply with 9' cord for 17" and 12' cord for 31", 44" and 58"  
Mounting Hardware

## Options

### LED Task Lights

Housings are clear anodized aluminum with white color end-caps.

Power cord is able to attach to either end of fixture.

### Interpole Planning with Standalone Poles

Interpole plans as a standalone pole that secures to the structural ceiling and floor of a building to provide convenient access to technology. Standalone poles have four sides: two channels opposite facing for managing power and communications cables from the ceiling or floor to open plan or panel systems and two opposite facing continuous vertical slots for mounting shelves, screens, accessories or KnollExtra Sapper monitor supports at any height.

Standalone poles enable three planning applications:

- Hub for community spaces
- Display for private offices, assembly and community spaces
- Conduit for unlimited supply to desk and panel systems

### Hub

Interpole distributes two-circuit power from floor or ceiling to outlets at lounge, desk or standing height to serve as a recharge station for portable devices. Power and USB outlets snap together with connectors and an infeed from a junction box in floor or ceiling to mount inside one or both channels. Each side of the pole requires its own infeed to supply power to outlets if powering both sides of a pole.

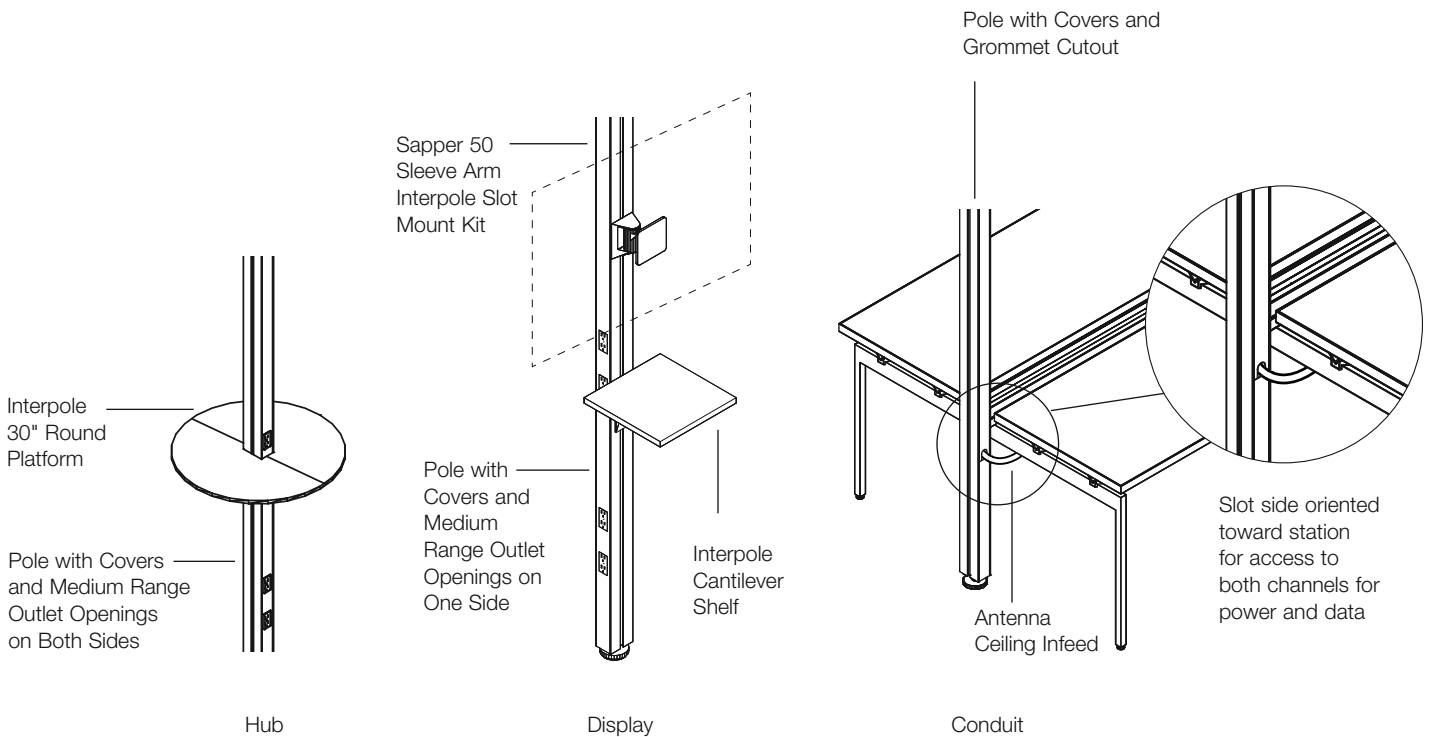
30" Round Counter and 12" x 12" Cantilever Shelf support portable devices while recharging or provide a touch down surface for the mobile worker. Additional accessories such as a coat hook and bag hook mount into the slot side of a pole to accommodate the temporary user.

### Display

Standalone Interpole acts as a technology mast in private offices or community spaces by supporting monitors. KnollExtra Sapper Monitor Arm Collection and Sapper XYZ mounts are available for mounting to the slot side of a pole for standalone applications. CPU holder with adjustable straps accommodates various size CPU boxes while the CPU mounting bracket supports a small form factor PC.

### Conduit

Standalone poles can route ceiling infeeds of power and communications cables in separate channels to supply Antenna Workspaces linked desks, big table or Fence, or clusters of Dividends Horizon, AutoStrada, Reff Profiles or Morrison panel systems, or Autostrada Spine.



Interpole can define boundaries and support work areas with combinations of screens and storage between two or more poles. Interpole screens and storage are available in heights that create horizons equivalent to stacking up to four Interpole cabinets, or horizons corresponding to Knoll open office system panel heights.

Interpole planning assumes storage or screens are installed at 10 1/8" above the floor.

### Screen Horizons

Standard screen horizons are nominal 42", 58" or 74"H, which align with two, three or four Interpole cabinets.

The 42" horizon, utilizing 32"H screens (with 10 1/8" below), enables seated visual contact and access to natural light. The 58" horizon enables seated privacy, plus ideal heights for display, whiteboards or tackable surface.

Additional screen heights, primarily for combinations of storage and screens, enable 25" horizon (aligning with Antenna legs and low storage) or 34" horizon.

### Storage Horizons

Multiples of one, two, three or four Interpole horizontal storage cabinets, with 10 1/8" below and 1 1/2" space between them, create horizons of 25", 42", 58" or 74"H.

The 25" horizon is useful for applications in which a desk or table overlaps the cabinet. The 42" horizon enables seated visual contact and access to natural light.

The 58" horizon is appropriate for seated privacy in open plan applications and the 74" horizon is ideal for maximum accessible storage in an enclosed office or privacy in an activity space.

### Horizons Combining Screens and Storage

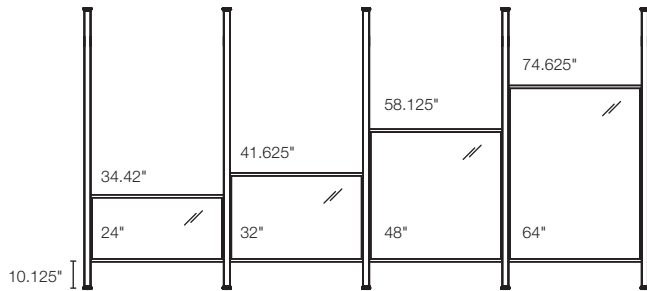
Combinations of screens and storage enable a number of horizons ideal in open plan or activity spaces.

The 42" horizon, created by one cabinet and one 15"H screen, enables visual access and aligns with 42"H panels or storage.

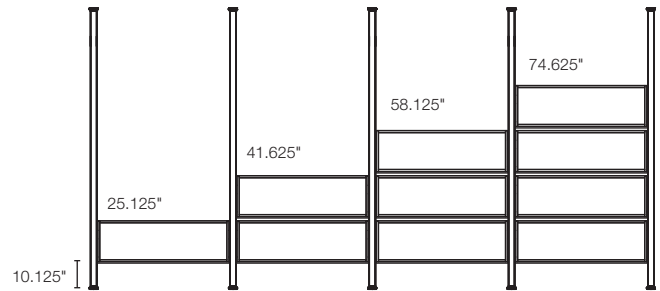
The 51" horizon, with one cabinet and a 24"H screen, is good for seated privacy with whiteboard.

The 67" horizon, with a 24"H screen between two cabinets provides accessible display and privacy, and plans well with perpendicular Antenna desks or seated-to-standing height tables.

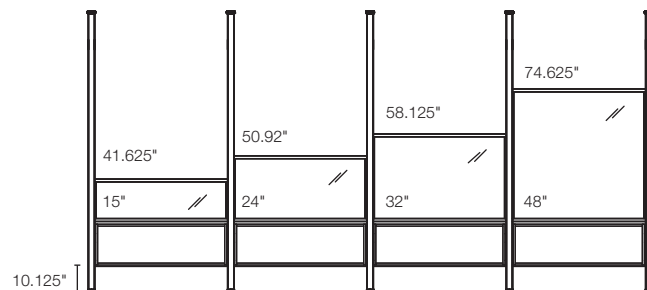
The 74" horizon is especially useful for standing height privacy or enclosed offices.



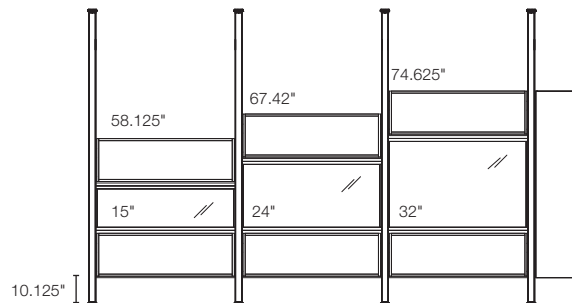
Screen Horizons



Storage Horizons



Storage with Lower Screen Horizons



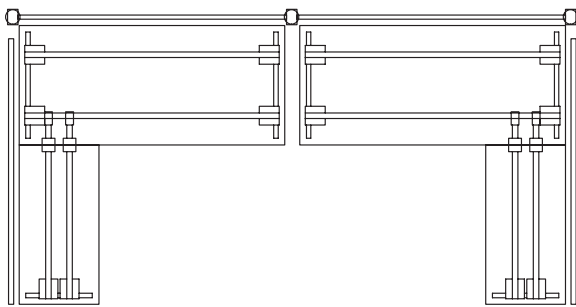
Storage Combined with Lower Screen Horizons

**\*Note:** nominal dimensions are shown for screens. The overall horizons are actual dimension off finished floor.

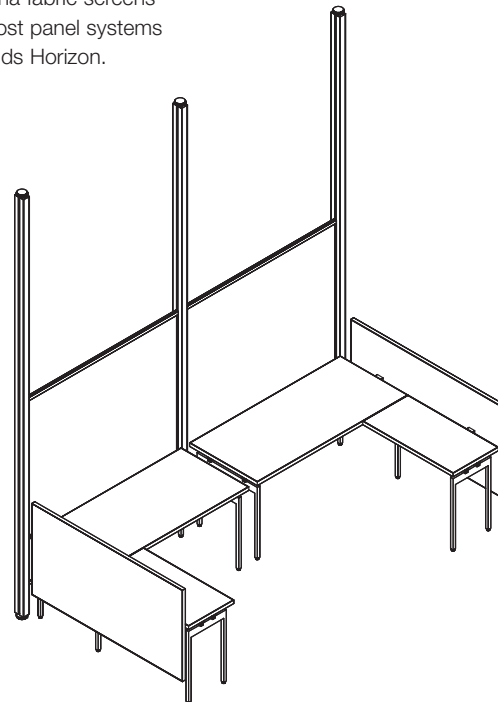
### Open Planning with Interpole

Multiple Interpoles with screens or combinations of screens and storage define spines that support individual and group work areas on one or both sides. Interpole's unique floor-to-ceiling structure enables the flexibility of screens, single-sided, shared or "yin-yang" storage and pass through-open spaces, to mount at any height.

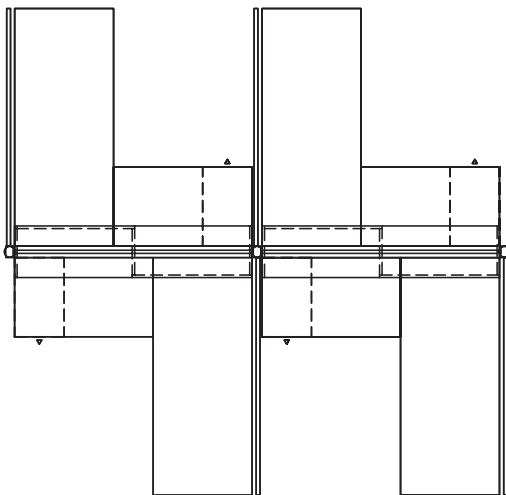
Poles with screens and storage plan with any 6" increment of width from 36" – 72" plus  $\frac{5}{8}$ " between poles, plus  $2\frac{3}{8}$ " for the pole itself. So a spine of Interpole aligns perfectly with standard desk widths as well as standard freestanding file cabinet widths. And the poles correspond closely with Antenna fabric screens plus a wire drop, as well as most panel systems such as AutoStrada or Dividends Horizon.



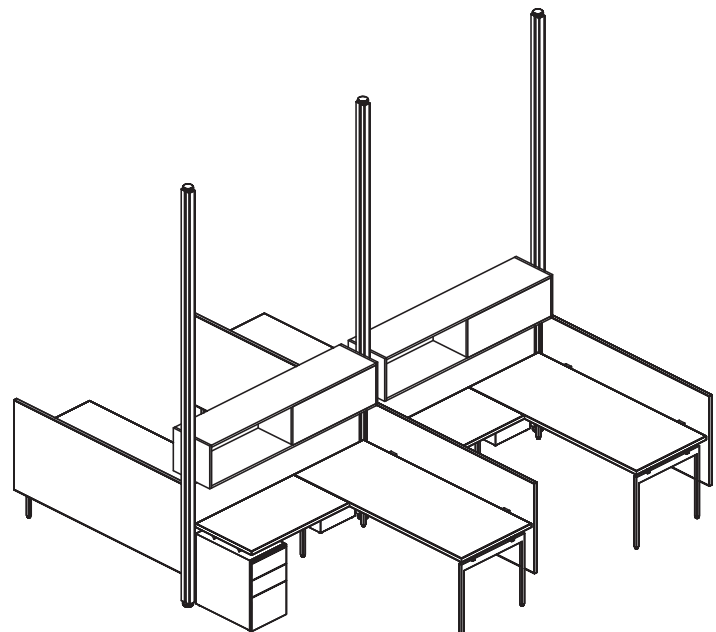
Plan View of Interpole Open Plan Screen Spine with Antenna Desks



Interpole Open Plan Screen Spine with Antenna Desks



Plan View of Interpole Open Plan Storage Spine with Antenna Desks



Interpole Open Plan Storage Spine with Antenna Desks



Pole without Cover



Pole with Covers (no outlets)



Pole with Covers (no outlets) with Grommet one side



Pole with Covers, Low Range Outlets (12"/18"/24"/30")



Pole with Covers, Medium Range Outlets (12"/18"/36"/42")



Pole with Covers, High Range Outlets (12"/18"/60"/66")



Extension Pole

Interpole is an independent system of poles, modular power components, screens and accessories that can be planned in combination with Antenna Workspaces desks and tables, big tables and Fence, other systems products or seating to serve and define a variety of workspaces.

### Interpole Poles

The fundamental planning component is an H-shape,  $2 \frac{3}{8}$ " x  $3 \frac{1}{2}$ " pole that spans between and connects to the building floor and structural ceiling.

Poles and covers are 12'-3" tall and can be trimmed to fit lower overall ceiling height. Extension poles 47" tall are available to extend height to fit taller spaces.

Poles engage a mounting bracket fastened to the floor and ceiling deck and "levelers" extend for a compression fit. A set screw at the top of the pole locks the pole securely into position.

Screens, platforms, monitor supports and accessories mount to continuous slots on the two wide sides. Poles can be ordered with covers for U-shape open channels on each narrow side to enclose modular power or 2.36 square inch cross-section for cable distribution.

Cable capacity for Pole channel with a maximum fill of 50% is 16 category 6 cables and 12 category 6a cables per side.

For use as a hub for power or as a monitor support poles should be specified with covers with outlet openings. Extension poles are only available with covers and include a hardware kit for attachment. Extension poles can be cut into shorter segments to extend multiple poles. Each additional segment will require an extension pole extra hardware mounting kit. Maximum overall height capable is one 12' 3" pole and one 47" extension pole.

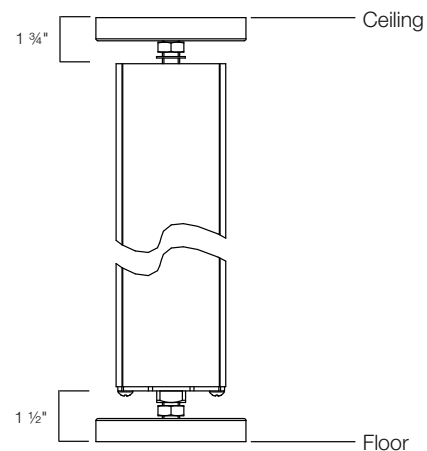
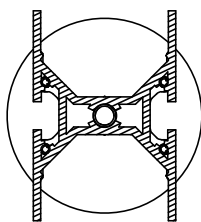
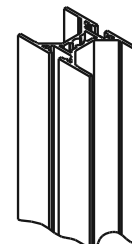
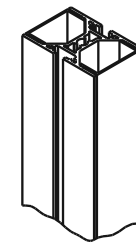
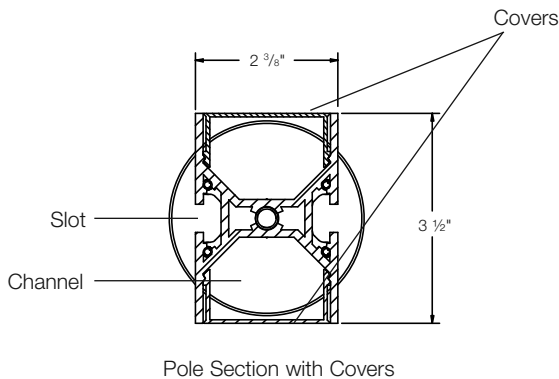
For ceiling infeed to Antenna or other systems, poles should be ordered with covers without outlets openings. For support of screens poles can be ordered with or without covers.

### Construction

Interpole poles and covers are extruded aluminum. Levelers are steel threaded stems with painted surface on molded ABS caps. Ceiling and floor mounting plates are painted steel.

### Specification Options

Poles and covers can be specified in natural anodized aluminum (AA) or powder coated Bright White finish (118T). Leveler caps are Satin Chrome (PS) or painted Jet Black (111) or Bright White (118).



# Interpole Poles and Covers

## Planning Guidelines and Specifications

### Pole Cover Options

Poles with covers can be ordered with four outlet openings on one or both sides, in three height combinations:

Low: outlets centered at 12", 18", 24", 30" above floor (lounge and desk height)

Medium: outlets centered at 12", 18", 36", 42" above floor (standing height)

High: outlets centered at 12", 18", 60", 66" above floor (TV height)

Outlet openings can be used for Interpole duplex outlets, Decora-size communications faceplates, or filled with a blank faceplate.

Poles can also be ordered without covers, with covers that do not have outlet openings (as for ceiling infeed to adjacent Fence or panel base raceway), or with one cover that has a grommet at the bottom. The grommet can be positioned at any height to enable a ceiling infeed to exit the pole at desk or big table height by shifting the cover up to the desired height. Then the top end of the cover can be trimmed onsite to fill in below the grommet opening.

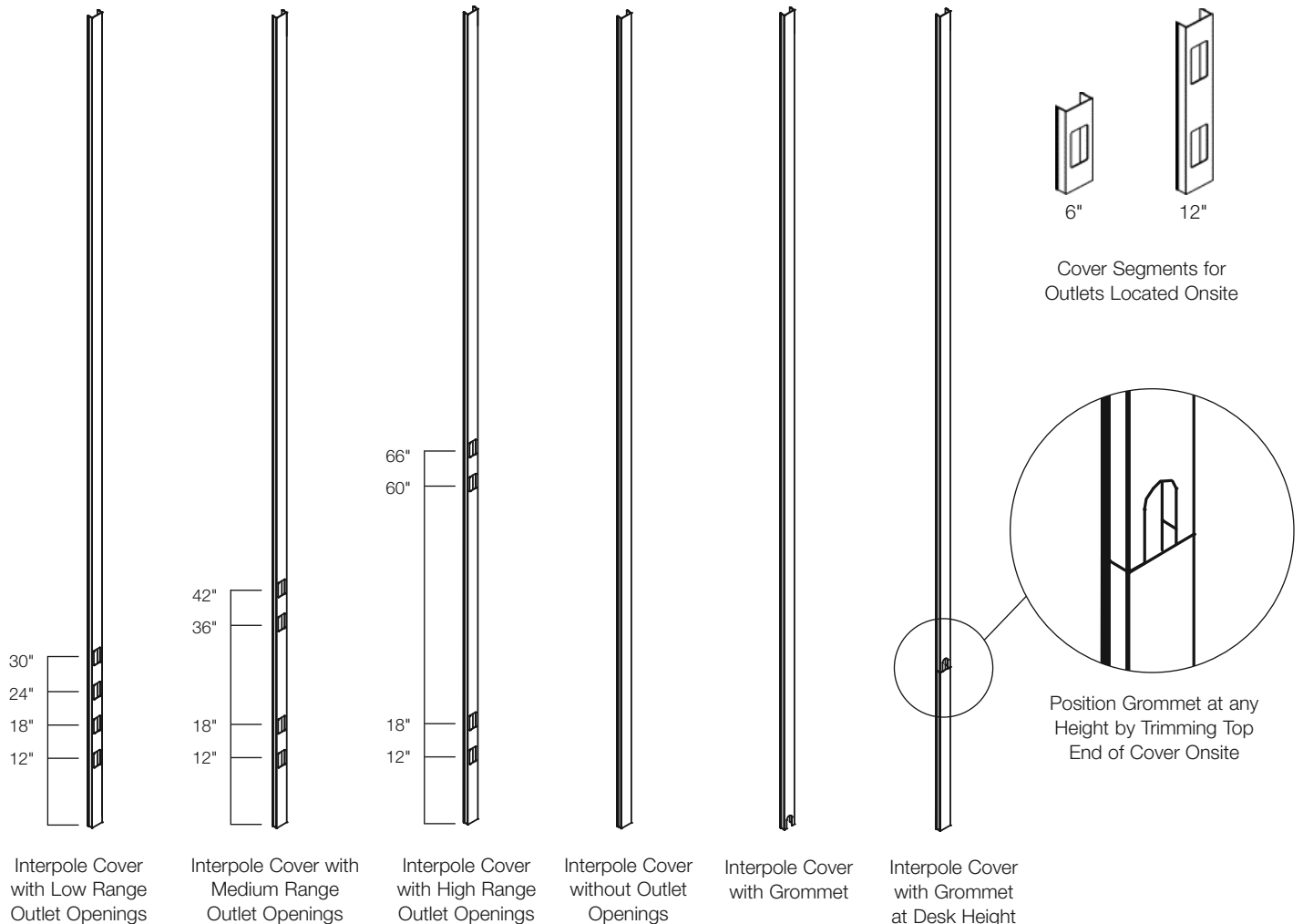
Covers are also available in a 6" or 12" segment for one or two outlet openings to be positioned anywhere on a pole. This can be especially useful when a single outlet is required behind a TV and no outlets are needed below. In this case specify a pole with covers without outlets, and trim a side cover to fit above and below the outlets cover segment.

### Construction

Interpole poles and covers are extruded aluminum. Levelers are steel threaded stems with painted surface on molded ABS caps. Ceiling and floor mounting plates are painted steel.


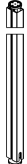
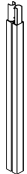
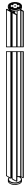
### Specification Options

Poles and covers can be specified in natural anodized aluminum (AA) or powder coated Bright White finish (118T). Leveler caps are Satin Chrome (PS) or painted Jet Black (111) or Bright White (118).



# Interpole Poles and Covers

## *Without Outlets (no holes for power)*

description	type	w	d	h	pattern no.	AA	118T
Pole with covers, no outlet openings	Straight	2.3"	3.5"	144"	<b>IPSCNN144</b>	\$2,437.	\$2,884.
							
Pole with covers, no outlet openings, grommet in one cover	Straight	2.3"	3.5"	144"	<b>IPSCNG144</b>	2,539.	2,991.
							
Extension Pole with covers	Straight	2.3"	3.5"	47"	<b>IPESCNN47</b>	1,368.	1,645.
							
Pole without covers	Straight	2.3"	3.5"	144"	<b>IPSN144</b>	1,687.	1,866.
							

### Ordering Information

#### Interpole Poles Without Outlets

1. Pattern Number
2. Finish

### Order Code

#### Interpole Poles Without Covers

*Example:* **IPSCNG144, 118T**

<b>IP</b>	Interpole
<b>S</b>	Straight
<b>C</b>	Covers
<b>N</b>	No Outlets
<b>G</b>	Grommet in one cover
<b>144</b>	Height
<b>118T</b>	Bright White Paint

### Included With

**Interpole Pole**  
Attachment Hardware

**Extension Pole**  
(2) Splices  
(8) Screws

### Options


**Interpole Pole**  
Finish Options:

**Pole and Cover**  
(AA) = Anodized Aluminum  
(118T) = Bright White Paint


**Leveller**  
(PS) Satin Chrome  
(111) Jet Black  
(111) Bright White



# Interpole Poles and Covers With Outlets

description	type	w	d	h	pattern no.	AA	118T
 Poles with covers, with outlet openings one side	Straight high range	2.3"	3.5"	144"	<b>IPSCNH144</b>	\$2,705.	\$3,154.
	Straight low range	2.3"	3.5"	144"	<b>IPSCNL144</b>	2,705.	3,154.
	Straight medium range	2.3"	3.5"	144"	<b>IPSCNM144</b>	2,705.	3,154.

*IPSCNL144 shown*

 Poles with covers, with outlet openings both sides	Straight high range	2.3"	3.5"	144"	<b>IPSCHH144</b>	2,879.	3,332.
	Straight low range	2.3"	3.5"	144"	<b>IPSCLL144</b>	2,879.	3,332.
	Straight medium range	2.3"	3.5"	144"	<b>IPSCMM144</b>	2,879.	3,332.

*IPSCLL144 shown*

## Ordering Information

### Interpole Poles With Outlets

1. Pattern Number
2. Finish

## Order Code

### Interpole Poles With Outlets

*Example:* **IPSCHH144, AA**

<b>IP</b>	Interpole
<b>S</b>	Straight
<b>C</b>	Covers
<b>HH</b>	High Outlets Two Sides
<b>144</b>	Height
<b>AA</b>	Anodized Aluminum

## Included With

**Interpole Pole**  
Attachment Hardware

## Options

### Interpole Pole Finish Options:

**Pole and Cover**  
(AA) = Anodized Aluminum  
(118T) = Bright White Paint

**Leveller**  
(PS) Satin Chrome  
(111) Jet Black  
(111) Bright White

Interpole power system is a two-circuit, four wire system of snap together outlets, connectors between outlets and infeed from junction box in floor or ceiling.

Duplex outlets are available preconfigured for either circuit 1 or circuit 2. Duplex outlets include a bracket that lets them attach to the inside of the pole channel at any height. Poles ordered with openings have mounting positions for outlets corresponding to openings in covers.

Power connectors are available for adjacent outlets separated by 6" on center, outlets separated by 18" on center, or for outlets separated by 42" on center.

A power connector is available to connect outlets in opposite channels located 12" from the bottom, separated by 26" on center.

Three types of power infeeds are available to connect outlets within Interpole to the building power supply. The Interpole modular infeeds include one end with a modular connector to the first duplex outlet, a flexible metal conduit, and a pigtail for connection to a code approved junction box supplied by the electrical contractor. The conduit length can be ordered in 6', 8', 10' or 18' lengths depending on the distance between the first outlet and the junction box in the floor or ceiling.

The Interpole 48" floor infeed includes one end with a modular connector to the first duplex outlet, a metallic liquid tight conduit, and a pigtail with elbow connector for connection to a code approved junction box supplied by the electrical contractor.

A hardwired infeed box, required in New York City, mounts inside the Interpole channel and includes a connector with three foot pigtail to connect to the closet power outlet.

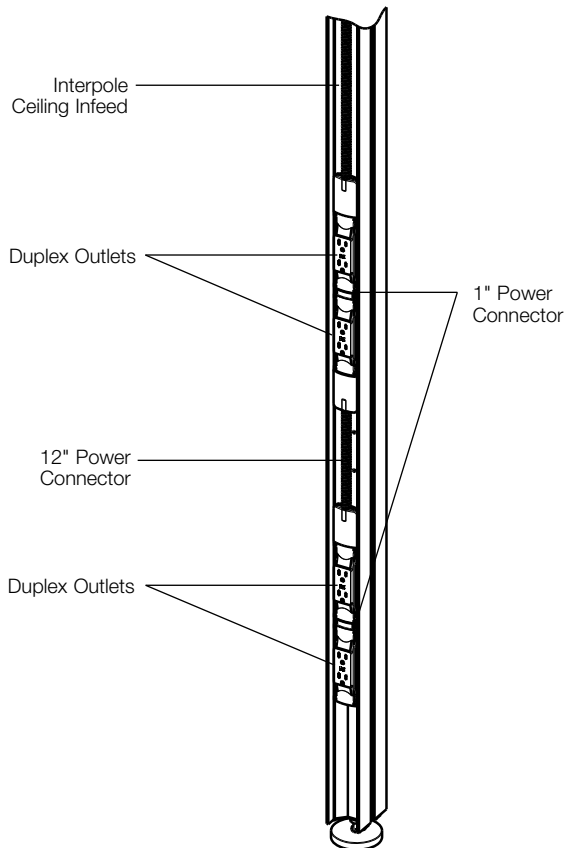
The pole levelers create a 1 1/2" space between the pole and the floor or ceiling to facilitate cable entry and exit, which can be increased by trimming the cover onsite.

Communications cables can be routed through the side of a pole that does not contain power components to provide separation. Cable capacity in each channel is maximum 3 square inch cross section. A flexible cover liner is available to protect cables from trimmed cover ends.

One to three communications cables can also be routed from the ceiling through the side of a pole that does have power infeed but should exit the pole through a hole in the cover or be terminated in a communications faceplate above the power outlets. The flexible conduit enclosing the power infeed will provide separation of high and low voltage distribution.

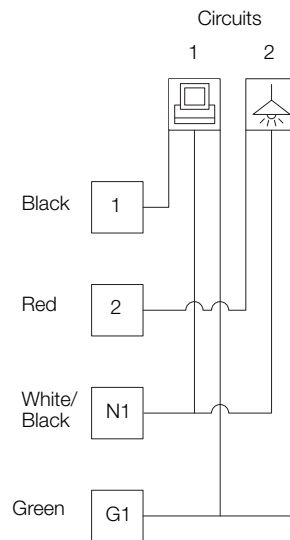
### Specification Options

For duplex outlets specify black (B) or white (W).



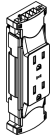

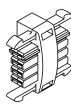
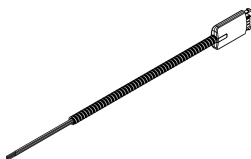
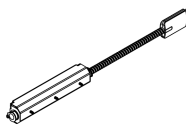
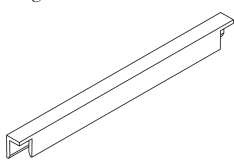
Pole without Covers with Medium Range Outlets, Connectors and Ceiling Infeed

### Wiring Diagram (two-circuit, four wire)



# Interpole Power Components

## Power to Outlets within Interpole

description	type	w	d	h	pattern no.	B	W	list
 Duplex Outlet	Circuit 1				<b>IPRD1()</b>	\$154.	\$171.	
	Circuit 1, with Controlled symbol				<b>IPRD1C()</b>	154.	171.	
	Circuit 2				<b>IPRD2()</b>	154.	171.	
	Circuit 2, with Controlled symbol				<b>IPRD2C()</b>	154.	171.	
 USB Outlet	Circuit 1				<b>IPRUSB()</b>	248.	283.	
 Power Connectors between Outlets	Outlets 6" apart o.c.			1"	<b>IPRC6</b>			28.
	Outlets 18" apart o.c.			12"	<b>IPRC18</b>			120.
	Outlets 26" apart o.c.			20"	<b>IPRC26</b>			127.
	Outlets 30" apart o.c.			24"	<b>IPRC30</b>			138.
	Outlets 42" apart o.c.			36"	<b>IPRC42</b>			155.
 Modular Infeeds from Ceiling J-Box	Floor Infeed			48"	<b>IPRFF48</b>			186.
	From 12' ceiling to outlets at 66"			72"	<b>IPRCF72</b>			215.
	From 12' ceiling to outlets at 42"			96"	<b>IPRCF96</b>			253.
	From 12' ceiling to outlets at 30"			120"	<b>IPRCF120</b>			288.
	Very high ceiling			180"	<b>IPRCF180</b>			384.
 Hardwire Ceiling Infeed	Interpole Hardwire Ceiling Infeed for New York City				<b>IPRCFNY</b>			531.
 Edge Liner	Set of 10 for field cut cover				<b>IPEL</b>			96.

Ordering Information	Order Code	Included With	Options
<b>Electrical Components</b> 1. Pattern Number  <b>Duplex Outlet</b> 1. Pattern Number 2. Finish	<b>Electrical Components</b> <hr/> <i>Example:</i> <b>IPRCF120</b> <hr/> <b>IP</b> Interpole <hr/> <b>RCF</b> Ceiling Infeed <hr/> <b>120</b> Height <hr/> <b>Duplex Outlet</b> <hr/> <i>Example:</i> <b>IPRD1W</b> <hr/> <b>IPRD</b> Interpole Receptacle Duplex <hr/> <b>1</b> Circuit 1 <hr/> <b>W</b> White	<b>Electrical Components</b>  <b>Outlets</b> Brackets Attachment Hardware	<b>Electrical Component</b>  <b>Duplex Outlet</b>  <b>Finish Options:</b> (B) Black (W) White  <b>Blank Outlet Filler</b> <b>Finish Options:</b> (BLK) Black (GRY) Grey

# Interpole Power Components

## *Power to Outlets within Interpole*

description	type	w	d	h	pattern no.	B	W	list
Blank Outlet Filler	For use with Interpole				<b>IPROF</b>			\$35.



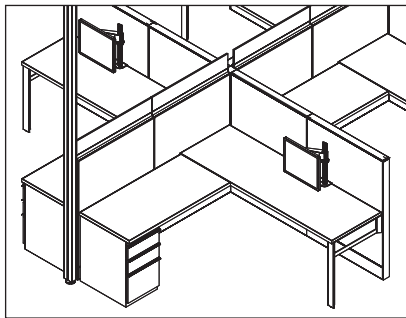
Ordering Information	Order Code	Included With	Options
<b>Electrical Components</b> 1. Pattern Number	<b>Electrical Components</b> <i>Example:</i> <b>IPRCF120</b> <b>IP</b> Interpole <b>RCF</b> Ceiling Infeed <b>120</b> Height	<b>Electrical Components</b> <b>Outlets</b> Brackets Attachment Hardware	<b>Electrical Component</b> <b>Duplex Outlet</b> <b>Finish Options:</b> (B) Black (W) White
<b>Duplex Outlet</b> 1. Pattern Number 2. Finish	<b>Duplex Outlet</b> <i>Example:</i> <b>IPRD1W</b> <b>IPRD</b> Interpole Receptacle Duplex <b>1</b> Circuit 1 <b>W</b> White		<b>Blank Outlet Filler</b> <b>Finish Options:</b> (BLK) Black (GRY) Grey

### Ceiling infeeds to Antenna Workspaces and other Knoll systems

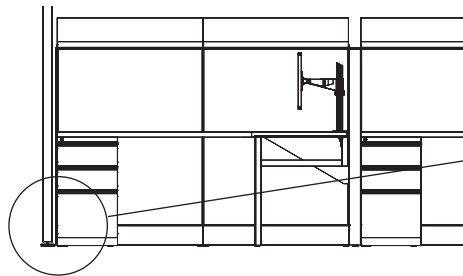
Power infeeds to open plan systems can be routed through a pole channel that has no Interpole power components or outlet openings. Pole should be positioned no more than 18" away from systems furniture.

Power infeed should be ordered in a length adequate to connect from junction box in ceiling, through Interpole pole to power harness in adjacent Antenna desk, big table or Fence, or panel system base infeed location.

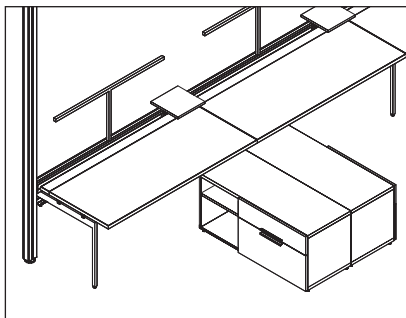
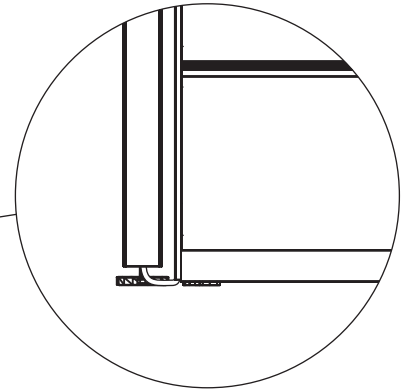
Ceiling infeeds for Antenna Workspaces are available in 2+2, eight wire, four circuit, or 3+3, ten wire, six circuit configurations, in two lengths: 12' or 20' long. Standard ceiling infeeds for Dividends Horizon, AutoStrada or Reff Profiles applications are available in various circuit configurations and lengths (see each catalog for more information).



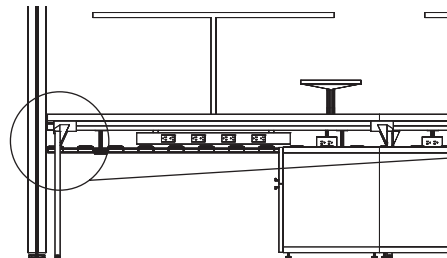
Conduit to Dividends Horizon Panels



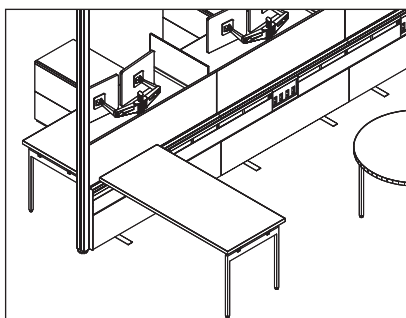
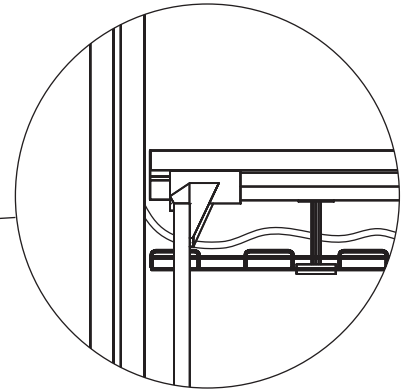
Elevation of conduit to Dividends Horizon Panels



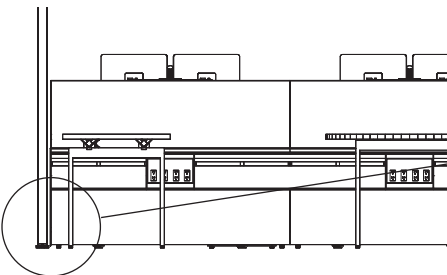
Conduit to Antenna Workspaces Single-Sided Basic Big Table



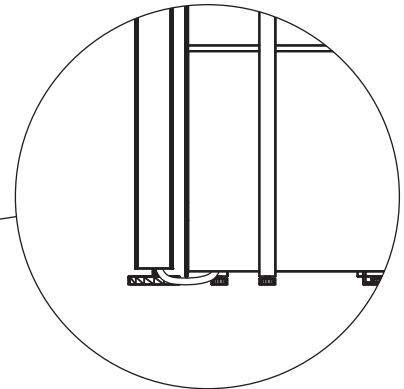
Elevation of conduit to Antenna Workspaces Single-Sided Basic Big Table



Conduit to Antenna Fence

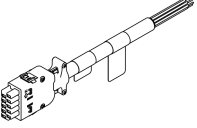
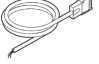
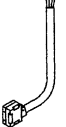


Elevation of Conduit to Antenna Fence



# Interpole Power Components

## Ceiling Infeeds to other Systems

description	type	length	pattern no.	list
Ceiling infeed passing through Interpole to Antenna desk, Big Table or Fence 	2+2	12'	<b>YR1EPIC12</b>	\$473.
	2+2	20'	<b>YR1EPIC20</b>	861.
	3+3	12'	<b>YR1TPIC12</b>	512.
	3+3	20'	<b>YR1TPIC20</b>	902.
	4-4-2	12'	<b>YR1XPIC12</b>	538.
	4-4-2	20'	<b>YR1XPIC20</b>	947.
Ceiling infeed passing through Interpole to Dividends Horizon Panels 	2+2	19 1/2'	<b>DE18CI144</b>	362.
	3+1	19 1/2'	<b>DE1ECI144</b>	329.
	3+3	19 1/2'	<b>DE1TCI144</b>	418.
Ceiling infeeds passing through Interpole to Reff Profiles panels 	2+2	13'	<b>RR3EPVR</b>	315.
	3+3	13'	<b>RR3TPVR</b>	380.
Ceiling infeeds passing through Interpole to AutoStrada Spine	2+2	145"	<b>AR1EPIC</b>	279.
	3+3	145"	<b>AR1TPIC</b>	318.

### Ordering Information

#### Interpole Ceiling Infeed

1. Pattern Number

### Order Code

#### Interpole Ceiling Infeed

*Example:* **YR1TPIC12**

**YR1** Antenna Power Component

**TP** 10 Wire

**IC** Interpole Ceiling Infeed

**12** Length

### Included With

#### Interpole Ceiling Infeed

### Options

#### Interpole Ceiling Infeed

### Interpole Accessories

Interpole cable clips engage the slot on each wide side to manage a bundle of cables up to 3/4" in diameter. Cable clips are medium grey plastic, available in a kit of 50.

Ceiling tile trim kit is designed to trim the edge of a suspended ceiling tile cut to fit around the Interpole pole.

Interpole poles have two continuous vertical slots and two continuous channels that are ready to accept monitor supports. Twelve Interpole-specific Sapper mounts are available: standard monitor arm, sleeve arm, Sapper 50 monitor arm, Sapper 50 sleeve arm and Sapper XYZ. Interpole slot mounting options or channel mounting options and arms can be ordered as a complete kit or a la carte in the KnollExtra Sapper Monitor Arm collection.

PC mounting bracket is a flat plate with holes corresponding to standard 4" x 4" array of four mounting holes on a small form factor PC. PC mounting bracket is black painted finish only.

CPU Holder with adjustable straps can support electronics boxes sized 3.5" wide and 30" high or 7" wide and 23" high, or any box that two times the width plus the height equals 37" total or less.

Cantilever shelf supports remotes or small portable electronics on the pole at any height. Shelf is 12" x 12" x 3/4" thick, with laminate or veneer surface, mounted on an Antenna L-bracket to the slot on either side of a pole. Maximum weight limit for the cantilever shelf is 58 lbs.

Interpole bag hook, coat hook and KnollExtra accessory cup mount to the slot on either side of a pole.

### Construction

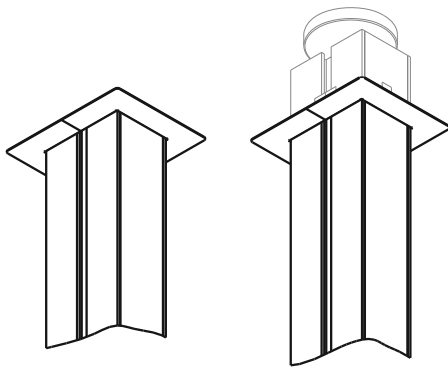
Cantilever shelf is solid MDF with laminate top and bottom and matching ABS edge or veneer on all surfaces. Ceiling tile trim kit is painted steel, in two interlocking parts, with a 1" wide frame around pole.

CPU Holder with adjustable straps includes painted black brackets and black straps with hook and loop fasteners.

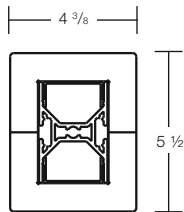
Round Platform is 3/4" thick phenolic core, with white surface and solid black edges.

### Specification Options

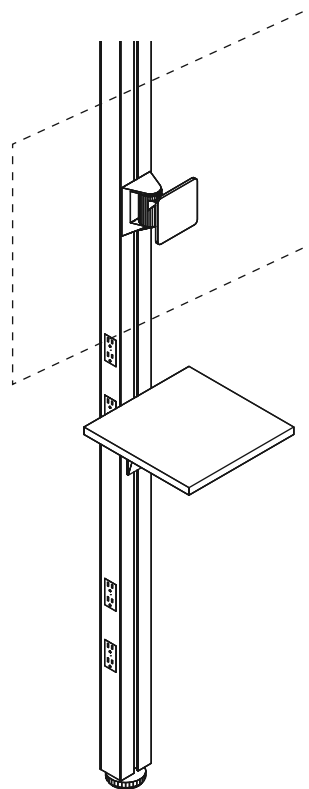
For cantilever shelf specify laminate (L) or veneer (V) in any core laminate or veneer finish. Cantilever support bracket is available in any Knoll core paint finish, Dark Red or Slate Blue. Ceiling tile trim kit is available in painted Silver (613) or Bright White (118T).



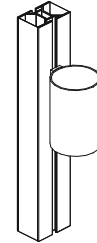
Detail of Ceiling Trim Mounted on Pole with Covers



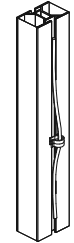
Section of Ceiling Trim and Pole with Covers



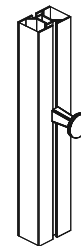
Slot Mount Sapper Sleeve Arm Mounted on Pole with Covers and Medium Range Outlets



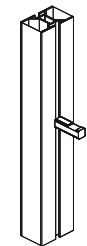
KnollExtra Accessory Cup



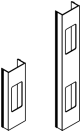




Cable Clip



Coat Hoak



Bag Hook

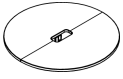
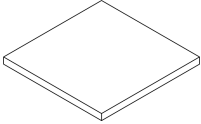
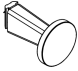
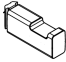
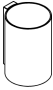

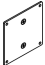
description	type	w	d	h	pattern no.	AA	118T	list
Outlet Covers 	One opening	2"		6"	<b>IPOC6</b>	\$218.	\$226.	
	Two openings	2"		12"	<b>IPOC12</b>	235.	251.	
Cable Clips for Interpole 	Package of 50				<b>YR1BCC50</b>			296.
Internal Cable Clips 	Package of 10				<b>IPCC10</b>			13.
Interpole Vertical Wire Manager 	For use with 48" or shorter screen			48"	<b>IPRVWM</b>			69.
Ceiling Tile Trim 	For use with Interpole Poles with Covers				<b>IPCT</b>	0.	0.	81.
Extension Pole Extra Hardware Kit	For attaching additional extension pole segments				<b>IPEX</b>			223.

Ordering Information	Order Code	Included With	Options
<b>Antenna Outlet Cover</b> 1. Pattern Number 2. Finish	<b>Antenna Outlet Covers</b> <i>Example:</i> <b>IPOC12, 118T</b> <b>IPOC</b> Interpole Outlet Cover <b>12</b> Height <b>118T</b> Bright White Paint	<b>Antenna Outlet Covers</b> <b>Extension Pole Hardware Kit</b> (2) Splices (8) Screws	<b>Antenna Outlet Covers</b> <b>Finish Options:</b> (AA) = Anodized Aluminum (118T) = Bright White Paint
<b>Cantilever Shelf</b> 1. Pattern Number 2. Surface Finish 3. Bracket Paint Finish	<b>Cantilever Shelf</b> <i>Example:</i> <b>IPCS1212L, 118, 118T</b> <b>IP</b> Interpole <b>CS</b> Cantilever Shelf <b>12</b> Width <b>12</b> Depth <b>L</b> Laminate <b>118</b> Bright White Laminate <b>118T</b> Bright White Paint	<b>Cantilever Shelf</b> Bracket Attachment Hardware <b>Hooks and Accessory Cup</b> Attachment Hardware	<b>Ceiling Tile Trim</b> <b>Finish Options:</b> (613) = Silver (118T) = Bright White Paint
<b>Hooks and Accessory Cup</b> 1. Pattern Number 2. Paint Finish		<b>Internal Cable Clips</b> (10) Cable Clips (10) Screws	<b>Cantilever Shelf</b> <b>Finish Options:</b> (L) Laminate (V) Veneer <b>Hooks and Accessory Cup</b> <b>Finish Options:</b> (111) Jet Black (115) Medium Grey (118) Bright White (130) Dark Red (131) Slate Blue



# Interpole Accessories

## Interpole Accessories

description	type	w	d	h	pattern no.	Laminate (L)	V1 (V)	V2 (V)	V3 (V)	list
Interpole Round Platform 	Interpole Slot Mount	30"	30"	3/4"	<b>IPPL30R</b>					\$1,625.
Cantilever Shelf 	Square 12x12 Interpole Slot Mount	12"	12"	3/4"	<b>IPCS1212( )</b>	179.	336.	387.	504.	
Coat Hook 	Interpole Slot Mount				<b>IPCH</b>					37.
Bag Hook 	Interpole Slot Mount				<b>IPBH</b>					35.
Accessory Cup 	KnollExtra™ Accessory Cup (see KnollExtra price list for details)				<b>ACT-CUP-IP</b>					89.
CPU Mounting Brackets with Adjustable Straps 	Interpole Slot Mount				<b>IPACPU</b>					261.
CPU Mounting Plate 	Interpole Slot Mount				<b>IPAVESA</b>					75.

### Ordering Information

#### Cantilever Shelf

1. Pattern Number
2. Surface Finish
3. Bracket Paint Finish

#### Hooks and Accessory Cup

1. Pattern Number
2. Paint Finish

### Order Code

#### Cantilever Shelf

*Example:* IPCS1212L, 118, 118T

<b>IP</b>	Interpole
<b>CS</b>	Cantilever Shelf
<b>12</b>	Width
<b>12</b>	Depth
<b>L</b>	Laminate
<b>118</b>	Bright White Laminate
<b>118T</b>	Bright White Paint

### Included With

#### Cantilever Shelf

Bracket  
Attachment Hardware

#### Hooks and Accessory Cup

Attachment Hardware

### Options

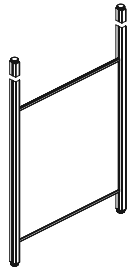
#### Cantilever Shelf

**Finish Options:**  
(L) Laminate  
(V) Veneer

#### Hooks and Accessory Cup

**Finish Options:**  
(111) Jet Black  
(115) Medium Grey  
(118) Bright White  
(130) Dark Red  
(131) Slate Blue

64"H Interpole Screens



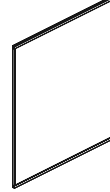
36" wide



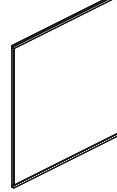
42" wide



48" wide

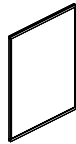
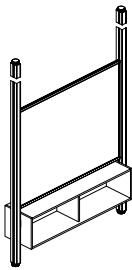


54" wide

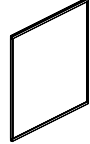


60" wide

48"H Interpole Screens



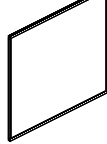
36" wide



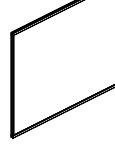
42" wide



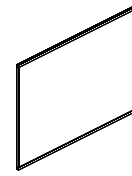
48" wide



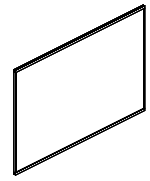
54" wide



60" wide

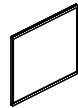
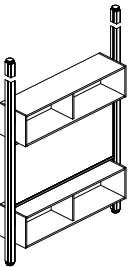


66" wide

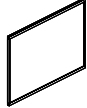


72" wide

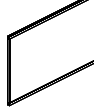
32"H Interpole Screens



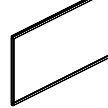
36" wide



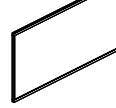
42" wide



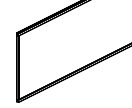
48" wide



54" wide



60" wide

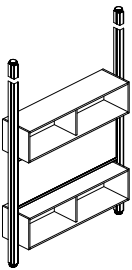


66" wide



72" wide

24"H Interpole Screens



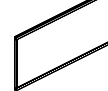
36" wide



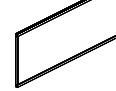
42" wide



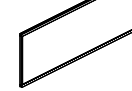
48" wide



54" wide



60" wide

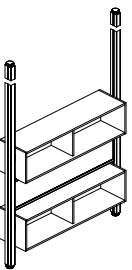


66" wide



72" wide

15"H Interpole Screens



36" wide



42" wide



48" wide



54" wide



60" wide



66" wide



72" wide

### Interpole Screens

Interpole screens plan between poles to create a markerboard or tackable surface and to delineate the boundary of an activity space. Screens include a perimeter frame that mounts on each vertical side to the slot of an Interpole. Screens planned end to end can share an Interpole between them for support.

#### Screen surface options are:

- Markerboard laminate on both sides
- Markerboard laminate on one side with tackable fabric on the other
- Translucent laminated glass
- Opaque markerboard laminated glass.

Any standard Antenna screen fabric is standard on Antenna Interpole screens. Laminate and glass markerboard surfaces should only be used with dry-erase markers.

### Screen Planning Options

Interpole screens can be mounted at any height beginning 6" above the floor.

Interpole screens 64 1/2"H are typically mounted 10" above the floor to a horizon of 74 1/2" for boundary applications, or as high as 24" above the floor for most convenient access to marker tray in markerboard applications.

Interpole screens are available in every 6" increment of width from 36" to 60" between poles, aligning perfectly with corresponding Antenna Workspaces or other "full-module" desks or storage components. Screens plan full-module width plus 3" between centerlines of Poles.

Optional marker tray is deep enough to hold dry erase markers, erasers and pushpins on both faces of any type of screen. Marker tray includes a lip at the front edges aligning with the face of the poles. Marker tray is integral to the frame and can only be positioned at the bottom.

**Note** that screens utilize the side slot in which Sapper Monitor arms normally mount, so to mount a monitor to the face of a pole between two screens specify a "channel mount" version Sapper arm or sleeve mount.

### Construction

Screen frames and optional marker trays are extruded aluminum with a natural anodized or painted surface. Frames mount to poles with steel brackets and flexnuts.

Optional marker tray replaces the bottom frame element of screens without a marker tray.

Screen surface options are:

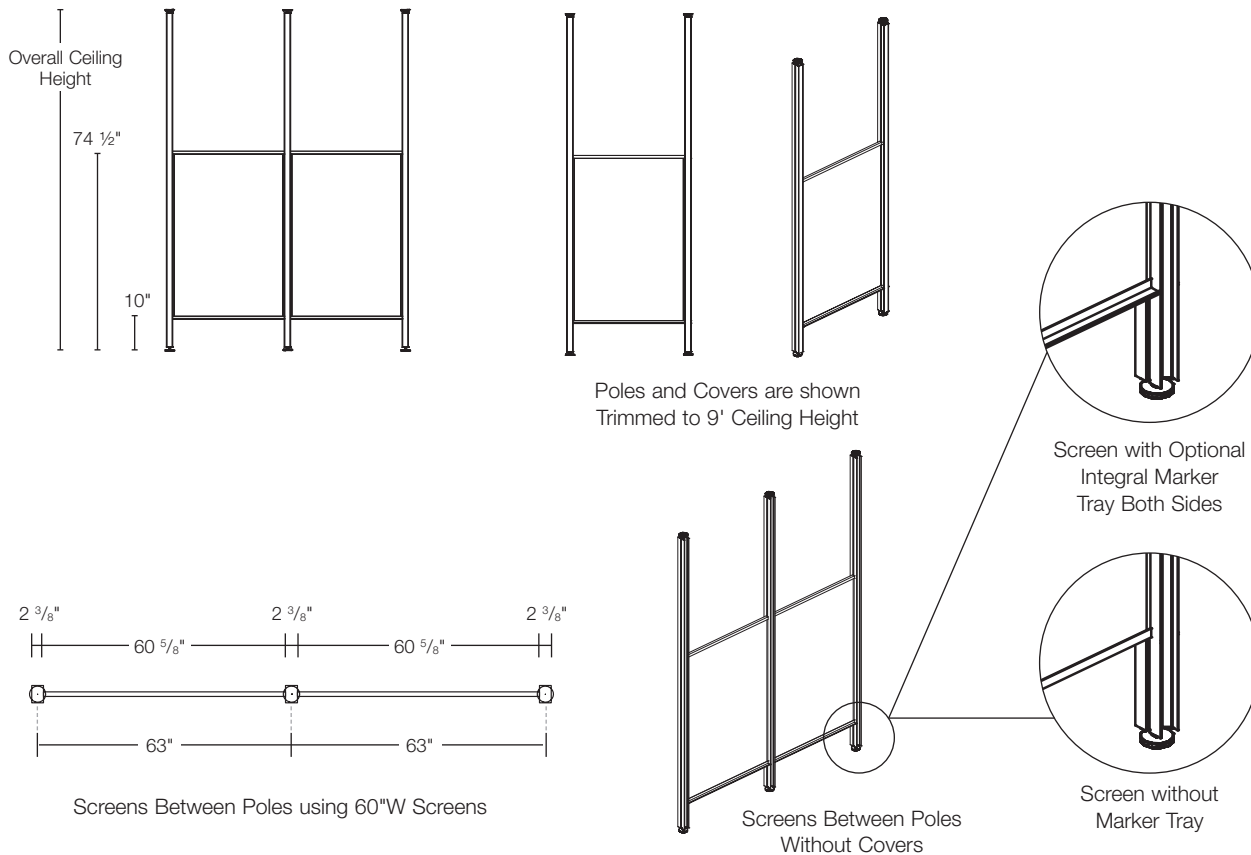
markerboard laminate on 3/4" fiberboard core, fabric on tackable 5/16" PET plus markerboard laminate on 3/8" fiberboard core with a paper backer, translucent laminated glass or opaque white laminated glass totaling 3/8" thickness and held in a frame with an ABS plastic extrusion.

#### Specification options

Screens are available with or without integral marker tray on both sides. Specify markerboard laminate both faces (LL), markerboard laminate one side, tackable fabric on the other (LF), opaque white laminated glass (GG) or translucent laminated glass (GT).

Specify natural anodized (AA) or Bright White (118) painted perimeter frame.

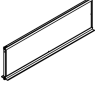
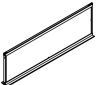
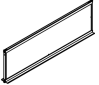
Specify Antenna screen fabric option.



# Interpole Screens

## Markerboard Laminate or Glass

### 15" High

description	w	d	h	pattern no.	list
Screens Between Poles, 15"H Laminated Opaque Glass Both Sides  (IPSC1548TGG shown)	36"	15/16"	15"	<b>IPSC1536(N/T)GG</b>	\$2,061.
	42"	15/16"	15"	<b>IPSC1542(N/T)GG</b>	2,295.
	48"	15/16"	15"	<b>IPSC1548(N/T)GG</b>	2,492.
	54"	15/16"	15"	<b>IPSC1554(N/T)GG</b>	2,765.
	60"	15/16"	15"	<b>IPSC1560(N/T)GG</b>	2,962.
	66"	15/16"	15"	<b>IPSC1566(N/T)GG</b>	3,154.
	72"	15/16"	15"	<b>IPSC1572(N/T)GG</b>	3,564.
Screens Between Poles, 15"H Laminated Translucent Glass Both Sides  (IPSC1548TGG shown)	36"	15/16"	15"	<b>IPSC1536(N/T)GT</b>	1,880.
	42"	15/16"	15"	<b>IPSC1542(N/T)GT</b>	2,077.
	48"	15/16"	15"	<b>IPSC1548(N/T)GT</b>	2,246.
	54"	15/16"	15"	<b>IPSC1554(N/T)GT</b>	2,487.
	60"	15/16"	15"	<b>IPSC1560(N/T)GT</b>	2,656.
	66"	15/16"	15"	<b>IPSC1566(N/T)GT</b>	2,803.
	72"	15/16"	15"	<b>IPSC1572(N/T)GT</b>	3,197.
Screens Between Poles, 15"H Markerboard Laminate Both Sides  (IPSC1548TGG shown)	36"	15/16"	15"	<b>IPSC1536(N/T)LL</b>	1,287.
	42"	15/16"	15"	<b>IPSC1542(N/T)LL</b>	1,323.
	48"	15/16"	15"	<b>IPSC1548(N/T)LL</b>	1,334.
	54"	15/16"	15"	<b>IPSC1554(N/T)LL</b>	1,405.
	60"	15/16"	15"	<b>IPSC1560(N/T)LL</b>	1,415.
	66"	15/16"	15"	<b>IPSC1566(N/T)LL</b>	1,421.
	72"	15/16"	15"	<b>IPSC1572(N/T)LL</b>	1,617.

#### Order Information

- Interpole Screens**  
 1. Pattern Number  
 2. Frame Paint Finish

#### Order Code

Interpole Screens	
<i>Example:</i>	<b>IPSC1548TGT, 118T</b>
<b>IP</b>	Interpole
<b>SC</b>	Screen
<b>15</b>	Height
<b>48</b>	Width
<b>T</b>	Marker Tray
<b>GT</b>	Translucent Glass
<b>118T</b>	Bright White Paint

#### Included With

**Interpole Screens**  
Attachment Hardware

#### Options

**Interpole Screens**  
 (N) = No Marker Tray  
 (T) = Integral Dual Marker Tray

**Finish Options:**  
 (LL) = Markerboard Laminate both sides  
 (GG) = Laminated Opaque Glass  
 (GT) = Laminated Translucent Glass  
 (LF) = Markerboard Laminate one side/Tackable Fabric other side

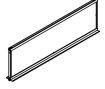
**Frame Finish:**  
 (AA) = Anodized Aluminum  
 (118T) = Bright White Paint

# Interpole Screens

## Markerboard/Tackable Fabric Combination

### 15" High

description	w	d	h	pattern no.	10	20	30	40	45
Screens Between Poles, 15"H	36"	15/16"	15"	<b>IPSC1536(N/T)LF</b>	\$1,317.	\$1,357.	\$1,382.	\$1,416.	\$1,449.
Markerboard Laminate One Side/ Tackable Fabric Opposite Side	42"	15/16"	15"	<b>IPSC1542(N/T)LF</b>	1,349.	1,390.	1,418.	1,451.	1,486.
	48"	15/16"	15"	<b>IPSC1548(N/T)LF</b>	1,364.	1,405.	1,431.	1,467.	1,500.
	54"	15/16"	15"	<b>IPSC1554(N/T)LF</b>	1,421.	1,464.	1,492.	1,529.	1,563.
	60"	15/16"	15"	<b>IPSC1560(N/T)LF</b>	1,431.	1,474.	1,503.	1,539.	1,575.
	66"	15/16"	15"	<b>IPSC1566(N/T)LF</b>	1,443.	1,487.	1,515.	1,551.	1,587.
	72"	15/16"	15"	<b>IPSC1572(N/T)LF</b>	1,591.	1,638.	1,670.	1,709.	1,750.



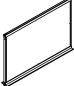
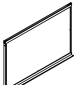
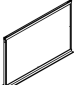
(IPSC1548TGG shown)

Order Information	Order Code	Included With	Options
<b>Interpole Screens</b>	<b>Interpole Screens</b>	<b>Interpole Screens</b>	<b>Interpole Screens</b>
1. Pattern Number	<i>Example:</i> <b>IPSC1548TGT, 118T</b>	Attachment Hardware	(N) = No Marker Tray (T) = Integral Dual Marker Tray
2. Fabric Finish	<b>IP</b> Interpole		<b>Finish Options:</b>
3. Frame Paint Finish	<b>SC</b> Screen		(LL) = Markerboard Laminate both sides (GG) = Laminated Opaque Glass (GT) = Laminated Translucent Glass (LF) = Markerboard Laminate one side/Tackable Fabric other side
	<b>15</b> Height		<b>Frame Finish:</b>
	<b>48</b> Width		(AA) = Anodized Aluminum (118T) = Bright White Paint
	<b>T</b> Marker Tray		
	<b>GT</b> Translucent Glass		
	<b>118T</b> Bright White Paint		

# Interpole Screens

## Markerboard Laminate or Glass

### 24" High

description	w	d	h	pattern no.	list
Screens Between Poles, 24"H Laminated Opaque Glass Both Sides  (IPSC2448TGG shown)	36"	15/16"	24 1/4"	IPSC2436(N/T)GG	\$2,760.
	42"	15/16"	24 1/4"	IPSC2442(N/T)GG	3,098.
	48"	15/16"	24 1/4"	IPSC2448(N/T)GG	3,404.
	54"	15/16"	24 1/4"	IPSC2454(N/T)GG	3,782.
	60"	15/16"	24 1/4"	IPSC2460(N/T)GG	4,082.
	66"	15/16"	24 1/4"	IPSC2466(N/T)GG	4,388.
	72"	15/16"	24 1/4"	IPSC2472(N/T)GG	4,896.
Screens Between Poles, 24"H Laminated Translucent Glass Both Sides  (IPSC2448TGG shown)	36"	15/16"	24 1/4"	IPSC2436(N/T)GT	2,459.
	42"	15/16"	24 1/4"	IPSC2442(N/T)GT	2,744.
	48"	15/16"	24 1/4"	IPSC2448(N/T)GT	3,006.
	54"	15/16"	24 1/4"	IPSC2454(N/T)GT	3,328.
	60"	15/16"	24 1/4"	IPSC2460(N/T)GT	3,585.
	66"	15/16"	24 1/4"	IPSC2466(N/T)GT	3,836.
	72"	15/16"	24 1/4"	IPSC2472(N/T)GT	4,295.
Screens Between Poles, 24"H Markerboard Laminate Both Sides  (IPSC2448TGG shown)	36"	15/16"	24 1/4"	IPSC2436(N/T)LL	1,312.
	42"	15/16"	24 1/4"	IPSC2442(N/T)LL	1,354.
	48"	15/16"	24 1/4"	IPSC2448(N/T)LL	1,367.
	54"	15/16"	24 1/4"	IPSC2454(N/T)LL	1,443.
	60"	15/16"	24 1/4"	IPSC2460(N/T)LL	1,453.
	66"	15/16"	24 1/4"	IPSC2466(N/T)LL	1,467.
	72"	15/16"	24 1/4"	IPSC2472(N/T)LL	1,667.

#### Order Information

- Interpole Screens**  
 1. Pattern Number  
 2. Frame Paint Finish

#### Order Code

Interpole Screens	
<i>Example:</i> IPSC2448TGT, 118T	
<b>IP</b>	Interpole
<b>SC</b>	Screen
<b>24</b>	Height
<b>48</b>	Width
<b>T</b>	Marker Tray
<b>GT</b>	Translucent Glass
<b>118T</b>	Bright White Paint

#### Included With

Interpole Screens  
 Attachment Hardware

#### Options

**Interpole Screens**  
 (N) = No Marker Tray  
 (T) = Integral Dual Marker Tray

**Finish Options:**  
 (LL) = Markerboard Laminate both sides  
 (GG) = Laminated Opaque Glass  
 (GT) = Laminated Translucent Glass  
 (LF) = Markerboard Laminate one side/Tackable Fabric other side

**Frame Finish:**  
 (AA) = Anodized Aluminum  
 (118T) = Bright White Paint

# Interpole Screens

## Markerboard/Tackable Fabric Combination

### 24" High

description	w	d	h	pattern no.	10	20	30	40	45
Screens Between Poles, 24"H	36"	15/16"	24 1/4"	<b>IPSC2436(N/T)LF</b>	\$1,379.	\$1,421.	\$1,448.	\$1,484.	\$1,517.
Markerboard Laminate One Side/ Tackable Fabric Opposite Side	42"	15/16"	24 1/4"	<b>IPSC2442(N/T)LF</b>	1,424.	1,467.	1,495.	1,532.	1,567.
	48"	15/16"	24 1/4"	<b>IPSC2448(N/T)LF</b>	1,443.	1,487.	1,515.	1,551.	1,587.
	54"	15/16"	24 1/4"	<b>IPSC2454(N/T)LF</b>	1,507.	1,553.	1,583.	1,623.	1,660.
	60"	15/16"	24 1/4"	<b>IPSC2460(N/T)LF</b>	1,536.	1,581.	1,612.	1,650.	1,690.
	66"	15/16"	24 1/4"	<b>IPSC2466(N/T)LF</b>	1,563.	1,610.	1,641.	1,680.	1,718.
	72"	15/16"	24 1/4"	<b>IPSC2472(N/T)LF</b>	1,707.	1,758.	1,792.	1,835.	1,878.



(IPSC2448TGG shown)

#### Order Information

- Interpole Screens**
1. Pattern Number
  2. Fabric Finish
  3. Frame Paint Finish

#### Order Code

Interpole Screens	
<i>Example:</i>	<b>IPSC2448TGT, 118T</b>
<b>IP</b>	Interpole
<b>SC</b>	Screen
<b>24</b>	Height
<b>48</b>	Width
<b>T</b>	Marker Tray
<b>GT</b>	Translucent Glass
<b>118T</b>	Bright White Paint

#### Included With

**Interpole Screens**  
Attachment Hardware

#### Options

**Interpole Screens**  
(N) = No Marker Tray  
(T) = Integral Dual Marker Tray

**Finish Options:**  
(LL) = Markerboard Laminate both sides  
(GG) = Laminated Opaque Glass  
(GT) = Laminated Translucent Glass  
(LF) = Markerboard Laminate one side/Tackable Fabric other side

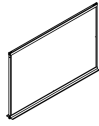
**Frame Finish:**  
(AA) = Anodized Aluminum  
(118T) = Bright White Paint

# Interpole Screens

## Markerboard Laminate or Glass

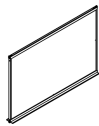
### 32" High

description	w	d	h	pattern no.	list
Screens Between Poles, 32"H Laminated Opaque Glass Both Sides	36"	15/16"	31 1/2"	<b>IPSC3236(N/T)GG</b>	\$3,306.
	42"	15/16"	31 1/2"	<b>IPSC3242(N/T)GG</b>	3,727.
	48"	15/16"	31 1/2"	<b>IPSC3248(N/T)GG</b>	4,110.
	54"	15/16"	31 1/2"	<b>IPSC3254(N/T)GG</b>	4,569.
	60"	15/16"	31 1/2"	<b>IPSC3260(N/T)GG</b>	4,962.
	66"	15/16"	31 1/2"	<b>IPSC3266(N/T)GG</b>	5,345.
	72"	15/16"	31 1/2"	<b>IPSC3272(N/T)GG</b>	5,936.



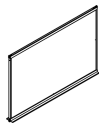
(IPSC3248TGG shown)

Screens Between Poles, 32"H Laminated Translucent Glass Both Sides	36"	15/16"	31 1/2"	<b>IPSC3236(N/T)GT</b>	2,908.
	42"	15/16"	31 1/2"	<b>IPSC3242(N/T)GT</b>	3,269.
	48"	15/16"	31 1/2"	<b>IPSC3248(N/T)GT</b>	3,585.
	54"	15/16"	31 1/2"	<b>IPSC3254(N/T)GT</b>	3,979.
	60"	15/16"	31 1/2"	<b>IPSC3260(N/T)GT</b>	4,306.
	66"	15/16"	31 1/2"	<b>IPSC3266(N/T)GT</b>	4,623.
	72"	15/16"	31 1/2"	<b>IPSC3272(N/T)GT</b>	5,159.



(IPSC3248TGG shown)

Screens Between Poles, 32"H Markerboard Laminate Both Sides	36"	15/16"	31 1/2"	<b>IPSC3236(N/T)LL</b>	1,332.
	42"	15/16"	31 1/2"	<b>IPSC3242(N/T)LL</b>	1,375.
	48"	15/16"	31 1/2"	<b>IPSC3248(N/T)LL</b>	1,393.
	54"	15/16"	31 1/2"	<b>IPSC3254(N/T)LL</b>	1,473.
	60"	15/16"	31 1/2"	<b>IPSC3260(N/T)LL</b>	1,488.
	66"	15/16"	31 1/2"	<b>IPSC3266(N/T)LL</b>	1,500.
	72"	15/16"	31 1/2"	<b>IPSC3272(N/T)LL</b>	1,705.



(IPSC3248TGG shown)

Order Information	Order Code	Included With	Options
<b>Interpole Screens</b> 1. Pattern Number 2. Frame Paint Finish	<b>Interpole Screens</b> <i>Example:</i> <b>IPSC3248TGT, 118T</b> <b>IP</b> Interpole <b>SC</b> Screen <b>32</b> Height <b>48</b> Width <b>T</b> Marker Tray <b>GT</b> Translucent Glass <b>118T</b> Bright White Paint	<b>Interpole Screens</b> Attachment Hardware	<b>Interpole Screens</b> (N) = No Marker Tray (T) = Integral Dual Marker Tray  <b>Finish Options:</b> (LL) = Markerboard Laminate both sides (GG) = Laminated Opaque Glass (GT) = Laminated Translucent Glass (LF) = Markerboard Laminate one side/Tackable Fabric other side  <b>Frame Finish:</b> (AA) = Anodized Aluminum (118T) = Bright White Paint

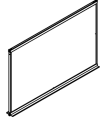


# Interpole Screens

## Markerboard/Tackable Fabric Combination

### 32" High

description	w	d	h	pattern no.	10	20	30	40	45
Screens Between Poles, 32"H	36"	15/16"	31 1/2"	<b>IPSC3236(N/T)LF</b>	\$1,433.	\$1,478.	\$1,505.	\$1,541.	\$1,577.
Markerboard Laminate One Side/ Tackable Fabric Opposite Side	42"	15/16"	31 1/2"	<b>IPSC3242(N/T)LF</b>	1,479.	1,524.	1,552.	1,588.	1,626.
	48"	15/16"	31 1/2"	<b>IPSC3248(N/T)LF</b>	1,507.	1,553.	1,583.	1,623.	1,660.
	54"	15/16"	31 1/2"	<b>IPSC3254(N/T)LF</b>	1,567.	1,613.	1,645.	1,683.	1,721.
	60"	15/16"	31 1/2"	<b>IPSC3260(N/T)LF</b>	1,585.	1,633.	1,665.	1,704.	1,744.
	66"	15/16"	31 1/2"	<b>IPSC3266(N/T)LF</b>	1,617.	1,666.	1,699.	1,740.	1,780.
	72"	15/16"	31 1/2"	<b>IPSC3272(N/T)LF</b>	1,792.	1,846.	1,882.	1,926.	1,971.



(IPSC3248TGG shown)

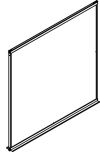
Order Information	Order Code	Included With	Options
<b>Interpole Screens</b> 1. Pattern Number 2. Fabric Finish 3. Frame Paint Finish	<b>Interpole Screens</b> <hr/> <i>Example:</i> <b>IPSC3248TGT, 118T</b> <hr/> <b>IP</b> Interpole <hr/> <b>SC</b> Screen <hr/> <b>32</b> Height <hr/> <b>48</b> Width <hr/> <b>T</b> Marker Tray <hr/> <b>GT</b> Translucent Glass <hr/> <b>118T</b> Bright White Paint	<b>Interpole Screens</b> Attachment Hardware	<b>Interpole Screens</b> (N) = No Marker Tray (T) = Integral Dual Marker Tray  <b>Finish Options:</b> (LL) = Markerboard Laminate both sides (GG) = Laminated Opaque Glass (GT) = Laminated Translucent Glass (LF) = Markerboard Laminate one side/Tackable Fabric other side  <b>Frame Finish:</b> (AA) = Anodized Aluminum (118T) = Bright White Paint

# Interpole Screens

## Markerboard Laminate or Glass

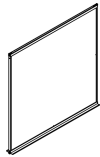
### 48" High

description	w	d	h	pattern no.	list
Screens Between Poles, 48"H Laminated Opaque Glass Both Sides	36"	15/16"	48"	<b>IPSC4836(N/T)GG</b>	\$4,689.
	42"	15/16"	48"	<b>IPSC4842(N/T)GG</b>	5,313.
	48"	15/16"	48"	<b>IPSC4848(N/T)GG</b>	5,892.
	54"	15/16"	48"	<b>IPSC4854(N/T)GG</b>	6,547.
	60"	15/16"	48"	<b>IPSC4860(N/T)GG</b>	7,138.
	66"	15/16"	48"	<b>IPSC4866(N/T)GG</b>	7,716.
	72"	15/16"	48"	<b>IPSC4872(N/T)GG</b>	8,515.



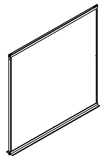
(IPSC4848TGG shown)

Screens Between Poles, 48"H Laminated Translucent Glass Both Sides	36"	15/16"	48"	<b>IPSC4836(N/T)GT</b>	4,067.
	42"	15/16"	48"	<b>IPSC4842(N/T)GT</b>	4,591.
	48"	15/16"	48"	<b>IPSC4848(N/T)GT</b>	5,072.
	54"	15/16"	48"	<b>IPSC4854(N/T)GT</b>	5,634.
	60"	15/16"	48"	<b>IPSC4860(N/T)GT</b>	6,120.
	66"	15/16"	48"	<b>IPSC4866(N/T)GT</b>	6,590.
	72"	15/16"	48"	<b>IPSC4872(N/T)GT</b>	7,290.



(IPSC4848TGG shown)

Screens Between Poles, 48"H Markerboard Laminate Both Sides	36"	15/16"	48"	<b>IPSC4836(N/T)LL</b>	1,429.
	42"	15/16"	48"	<b>IPSC4842(N/T)LL</b>	1,481.
	48"	15/16"	48"	<b>IPSC4848(N/T)LL</b>	1,505.
	54"	15/16"	48"	<b>IPSC4854(N/T)LL</b>	1,593.
	60"	15/16"	48"	<b>IPSC4860(N/T)LL</b>	1,613.
	66"	15/16"	48"	<b>IPSC4866(N/T)LL</b>	1,634.
	72"	15/16"	48"	<b>IPSC4872(N/T)LL</b>	1,847.



(IPSC4848TGG shown)

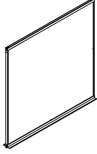
Order Information	Order Code	Included With	Options
<b>Interpole Screens</b> 1. Pattern Number 2. Frame Paint Finish	<b>Interpole Screens</b> <i>Example:</i> <b>IPSC4848TGT, 118T</b> <b>IP</b> Interpole <b>SC</b> Screen <b>48</b> Height <b>48</b> Width <b>T</b> Marker Tray <b>GT</b> Translucent Glass <b>118T</b> Bright White Paint	<b>Interpole Screens</b> Attachment Hardware	<b>Interpole Screens</b> (N) = No Marker Tray (T) = Integral Dual Marker Tray  <b>Finish Options:</b> (LL) = Markerboard Laminate both sides (GG) = Laminated Opaque Glass (GT) = Laminated Translucent Glass (LF) = Markerboard Laminate one side/Tackable Fabric other side  <b>Frame Finish:</b> (AA) = Anodized Aluminum (118T) = Bright White Paint

# Interpole Screens

## Markerboard/Tackable Fabric Combination

### 48" High

description	w	d	h	pattern no.	10	20	30	40	45
Screens Between Poles, 48"H	36"	15/16"	48"	<b>IPSC4836(N/T)LF</b>	\$1,585.	\$1,633.	\$1,665.	\$1,704.	\$1,744.
Markerboard Laminate One Side/ Tackable Fabric Opposite Side	42"	15/16"	48"	<b>IPSC4842(N/T)LF</b>	1,650.	1,700.	1,735.	1,774.	1,816.
	48"	15/16"	48"	<b>IPSC4848(N/T)LF</b>	1,678.	1,729.	1,761.	1,804.	1,846.
	54"	15/16"	48"	<b>IPSC4854(N/T)LF</b>	1,757.	1,811.	1,845.	1,890.	1,933.
	60"	15/16"	48"	<b>IPSC4860(N/T)LF</b>	1,776.	1,829.	1,865.	1,909.	1,955.
	66"	15/16"	48"	<b>IPSC4866(N/T)LF</b>	1,934.	1,993.	2,032.	2,080.	2,127.
	72"	15/16"	48"	<b>IPSC4872(N/T)LF</b>	2,097.	2,160.	2,201.	2,253.	2,305.



(IPSC4848TGG shown)

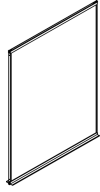
Order Information	Order Code	Included With	Options
<b>Interpole Screens</b> 1. Pattern Number 2. Fabric Finish 3. Frame Paint Finish	<b>Interpole Screens</b> <hr/> <i>Example:</i> <b>IPSC4848TGT, 118T</b> <hr/> <b>IP</b> Interpole <hr/> <b>SC</b> Screen <hr/> <b>48</b> Height <hr/> <b>48</b> Width <hr/> <b>T</b> Marker Tray <hr/> <b>GT</b> Translucent Glass <hr/> <b>118T</b> Bright White Paint	<b>Interpole Screens</b> Attachment Hardware	<b>Interpole Screens</b> (N) = No Marker Tray (T) = Integral Dual Marker Tray  <b>Finish Options:</b> (LL) = Markerboard Laminate both sides (GG) = Laminated Opaque Glass (GT) = Laminated Translucent Glass (LF) = Markerboard Laminate one side/Tackable Fabric other side  <b>Frame Finish:</b> (AA) = Anodized Aluminum (118T) = Bright White Paint

# Interpole Screens

## Markerboard Laminate or Glass

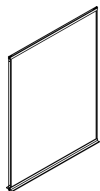
### 64" High

description	w	d	h	pattern no.	list
Screens Between Poles, 64"H Laminated Opaque Glass Both Sides	36"	15/16"	64.5"	<b>IPSC6436(N/T)GG</b>	\$4,761.
	42"	15/16"	64.5"	<b>IPSC6442(N/T)GG</b>	5,401.
	48"	15/16"	64.5"	<b>IPSC6448(N/T)GG</b>	6,000.
	54"	15/16"	64.5"	<b>IPSC6454(N/T)GG</b>	6,667.
	60"	15/16"	64.5"	<b>IPSC6460(N/T)GG</b>	7,283.



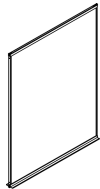
(IPSC6448TGG shown)

Screens Between Poles, 64"H Laminated Translucent Glass Both Sides	36"	15/16"	64.5"	<b>IPSC6436(N/T)GT</b>	4,102.
	42"	15/16"	64.5"	<b>IPSC6442(N/T)GT</b>	4,626.
	48"	15/16"	64.5"	<b>IPSC6448(N/T)GT</b>	5,126.
	54"	15/16"	64.5"	<b>IPSC6454(N/T)GT</b>	5,686.
	60"	15/16"	64.5"	<b>IPSC6460(N/T)GT</b>	6,190.



(IPSC6448TGG shown)

Screens Between Poles, 64"H Markerboard Laminate Both Sides	36"	15/16"	64.5"	<b>IPSC6436(N/T)LL</b>	1,495.
	42"	15/16"	64.5"	<b>IPSC6442(N/T)LL</b>	1,552.
	48"	15/16"	64.5"	<b>IPSC6448(N/T)LL</b>	1,579.
	54"	15/16"	64.5"	<b>IPSC6454(N/T)LL</b>	1,669.
	60"	15/16"	64.5"	<b>IPSC6460(N/T)LL</b>	1,698.



(IPSC6448TGG shown)

#### Order Information

- Interpole Screens**  
 1. Pattern Number  
 2. Frame Paint Finish

#### Order Code

Interpole Screens	
<i>Example:</i> <b>IPSC6448TGT, 118T</b>	
<b>IP</b>	Interpole
<b>SC</b>	Screen
<b>64</b>	Height
<b>48</b>	Width
<b>T</b>	Marker Tray
<b>GT</b>	Translucent Glass
<b>118T</b>	Bright White Paint

#### Included With

- Interpole Screens**  
 Attachment Hardware

#### Options

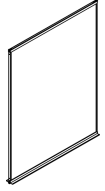
- Interpole Screens**  
 (N) = No Marker Tray  
 (T) = Integral Dual Marker Tray
- Finish Options:**  
 (LL) = Markerboard Laminate both sides  
 (GG) = Laminated Opaque Glass  
 (GT) = Laminated Translucent Glass  
 (LF) = Markerboard Laminate one side/Tackable Fabric other side
- Frame Finish:**  
 (AA) = Anodized Aluminum  
 (118T) = Bright White Paint

# Interpole Screens

## Markerboard/Tackable Fabric Combination

### 64" High

description	w	d	h	pattern no.	10	20	30	40	45
Screens Between Poles, 64"H	36"	15/16"	64.5"	<b>IPSC6436(N/T)LF</b>	\$1,713.	\$1,771.	\$1,801.	\$1,821.	\$1,932.
Markerboard Laminate One Side/ Tackable Fabric Opposite Side	42"	15/16"	64.5"	<b>IPSC6442(N/T)LF</b>	1,782.	1,835.	1,866.	1,885.	2,001.
	48"	15/16"	64.5"	<b>IPSC6448(N/T)LF</b>	1,837.	1,894.	1,922.	1,941.	2,055.
	54"	15/16"	64.5"	<b>IPSC6454(N/T)LF</b>	1,969.	2,023.	2,055.	2,073.	2,190.
	60"	15/16"	64.5"	<b>IPSC6460(N/T)LF</b>	1,995.	2,047.	2,078.	2,096.	2,213.



(IPSC6448TGG shown)

#### Order Information

- Interpole Screens**
1. Pattern Number
  2. Fabric Finish
  3. Frame Paint Finish

#### Order Code

Interpole Screens	
<i>Example:</i>	<b>IPSC6448TGT, 118T</b>
<b>IP</b>	Interpole
<b>SC</b>	Screen
<b>64</b>	Height
<b>48</b>	Width
<b>T</b>	Marker Tray
<b>GT</b>	Translucent Glass
<b>118T</b>	Bright White Paint

#### Included With

**Interpole Screens**  
Attachment Hardware

#### Options

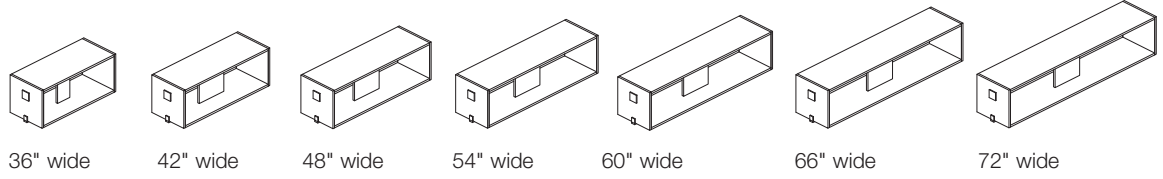
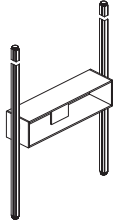
**Interpole Screens**  
(N) = No Marker Tray  
(T) = Integral Dual Marker Tray

**Finish Options:**  
(LL) = Markerboard Laminate both sides  
(GG) = Laminated Opaque Glass  
(GT) = Laminated Translucent Glass  
(LF) = Markerboard Laminate one side/Tackable Fabric other side

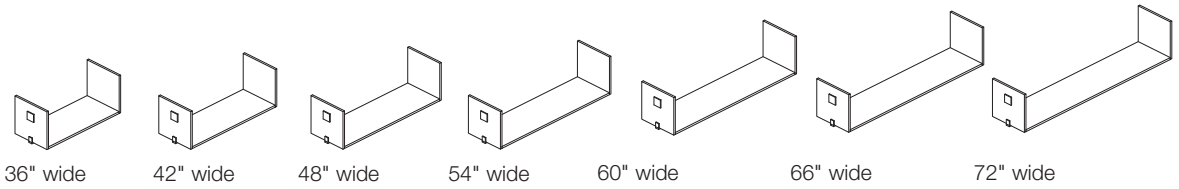
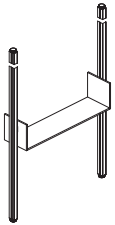
**Frame Finish:**  
(AA) = Anodized Aluminum  
(118T) = Bright White Paint

**Horizontal Wood Open Cabinets**

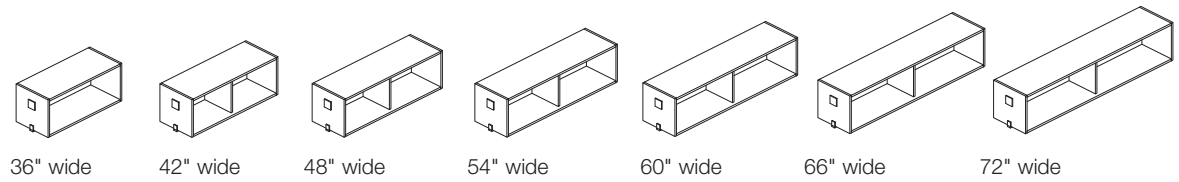
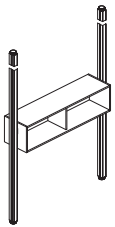
**Interpole Open Shelf**



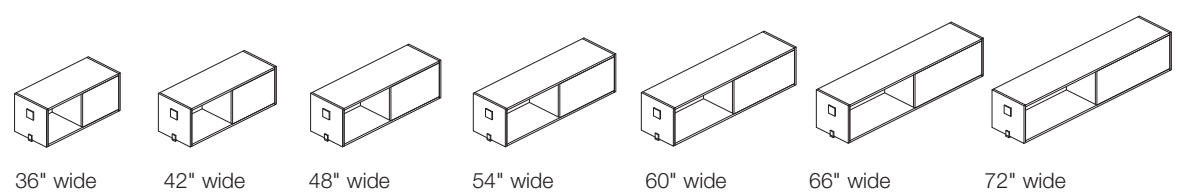
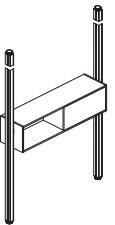
**Interpole Open Shelf with Bookends**



**Interpole Open Shelf with Enclosed Back**

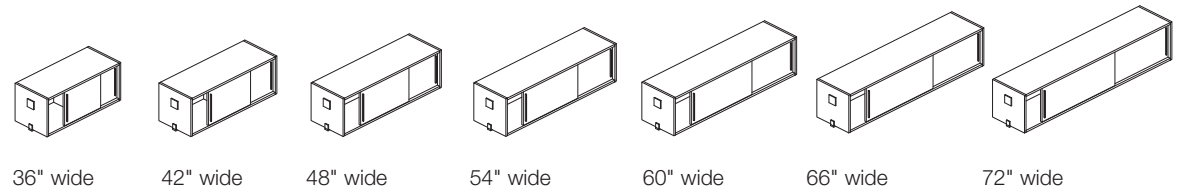
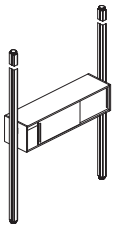


**Interpole Shared Open Front with Enclosed Back**

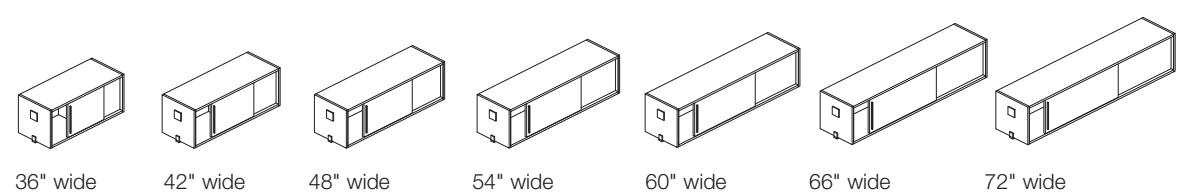
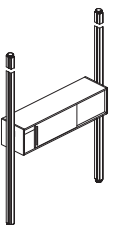


**Horizontal Wood Enclosed Cabinets**

**Interpole Sliding Door Cabinet**



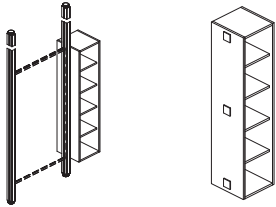
**Interpole Shared Sliding Door Cabinet**



---

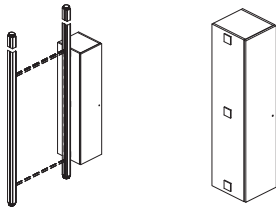
**Vertical Wood Open Cabinets**

Interpole Vertical Cabinet, Open with Four Shelves

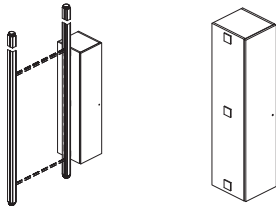


**Vertical Wood Enclosed Cabinets**

Interpole Vertical Cabinet, Door with Four Shelves



Interpole Vertical Cabinet, Wardrobe



### Interpole Horizontal Open Cabinets

Interpole horizontal open cabinets mount at any height between two poles to provide storage that supports and defines workstations, offices or activity spaces. Open cabinets are available in four configurations: open shelf, open shelf with bookends, open shelf with enclosed back, and shared open front with enclosed back. All open horizontal cabinets are available in 36", 42", 48", 54", 60", 66" and 72" widths.

Interpole cabinets include mounting kit and hardware to secure case between two poles. Mounting kit includes two L-brackets, two  $\frac{15}{16}$ " thick dove-tail spacers and inserts and a horizontal steel stiffener.

Open shelf cabinets have a center partition parallel to the open front and back that provides structural support and serves to filter sightlines through the cabinet. Cabinets 36"W have a 6" wide center panel, cabinets 42" and wider have a 12" wide center panel. Support panel and all interior surfaces can be specified in a different laminate than exterior surfaces.

Open shelf with bookends includes a bottom shelf and two vertical side gables. The exterior surfaces include the inside of gables and top of shelf. Exterior surfaces can be specified in any Knoll core laminate or veneer.

Open shelf with enclosed back includes a full back, recessed  $\frac{1}{2}$ " for option fabric insert, specified separately. Both sides of recessed backs are considered interior surfaces, if specifying two-tone laminate finishes.

Shared open front with enclosed back cabinets include flush backs. The exterior face of flush backs will match the exterior core laminate finish.

All Interpole horizontal cabinets are 15"H x 15  $\frac{5}{8}$ "D, with 13  $\frac{1}{2}$ " clear interior height for binder storage. Cabinet sides, top and bottom are  $\frac{3}{4}$ " thick, in laminate or veneer, or a combination of laminates.

Interpole horizontal cabinets plan with a 1  $\frac{1}{2}$ " high gap between the top shelf of the lower cabinet and the bottom shelf of the cabinet above. The  $\frac{1}{2}$ " high horizontal stiffener on the underside of a cabinet is located within the 1  $\frac{1}{2}$ " high spacing between cabinets.

### Construction

Case is composed of  $\frac{3}{4}$ " thick wood panels, with discreet glue-and-dowel connections.

Case mounts between poles with two cast aluminum spacers and inserts, two cast aluminum L-brackets, one horizontal stiffener rail and flex nuts. Horizontal shelf stiffener is a bent steel tube.

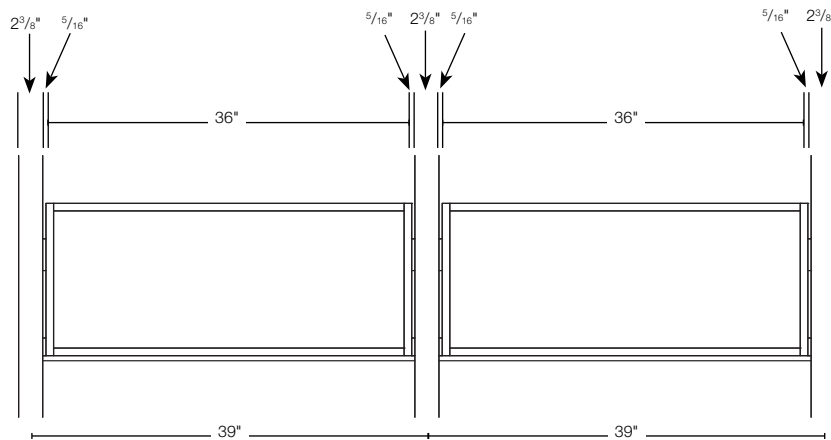
### Specification Options

Specify laminate (L), "mixed" two-tone laminate (L) or veneer (V) case.

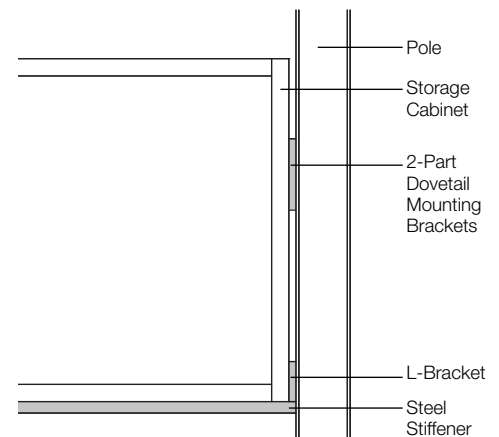
Case finish exterior is available in any Knoll core laminate, patterned or woodgrain laminate up to 60"W, or veneer. When the case exterior is laminate, case interior and inset back are available in any Knoll Core or Accent laminate. When an Accent laminate is specified, the edgeband will match the exterior core laminate finish.

Mounting brackets are available in any Knoll Core paint finish, Dark Red or Slate Blue.

Specify optional fabric inserts separately.



Interpole Mounted Open Shelf with Enclosed Back Front Elevation



Detail of Interpole Horizontal Cabinet Mounting Hardware



### Interpole Horizontal Enclosed Cabinets

Interpole horizontal enclosed wood cabinets mount at any level between two poles to provide storage that supports and defines workstations, offices or activity spaces. Enclosed cabinets are available in two configurations: sliding door cabinet case with overlapping sliding doors or shared sliding door cabinets. All enclosed horizontal cabinets are available in 36", 42", 48", 54", 60", 66" and 72" widths.

Interpole cabinets include mounting kit and hardware to secure case between two poles. Mounting kit includes two L-brackets, two  $\frac{15}{16}$ " thick dove-tail spacers and inserts, and a horizontal steel stiffener.

Sliding door cabinets with overlapping sliding doors have two half-width doors, in laminate or veneer surface and a full back, recessed  $\frac{1}{2}$ " for optional fabric insert, specified separately. Sliding door cabinets include a center partition for structure.

Shared sliding door cabinets have a sliding door on each face overlapping the recessed back of the cabinet facing the other side. Cabinets can be specified with both openings on the left or both on the right side.

Enclosed Interpole cabinets can be specified in all laminate or veneer or mixed surface laminate: all interior surfaces of laminate cabinet can be specified in a contrasting core or accent laminate. Partition and inset back are considered interior surfaces on both faces.

All Interpole horizontal cabinets are 15"H x 15  $\frac{5}{8}$ "D, with 13  $\frac{1}{2}$ " clear interior height for binder storage. Cabinet sides, top and bottom are  $\frac{3}{4}$ " thick, in laminate or veneer, or a combination of laminates.

Interpole horizontal cabinets plan with a 1  $\frac{1}{2}$ " high gap between the top shelf of the lower cabinet and the bottom shelf of the cabinet above. The  $\frac{1}{2}$ " high horizontal stiffener on the underside of a cabinet is located within the 1  $\frac{1}{2}$ " high spacing between cabinets.

### Construction

Case is composed of  $\frac{3}{4}$ " thick wood panels, with discreet glue-and-dowel connections.

Case mounts between poles with two cast aluminum spacers and inserts, two cast aluminum L-brackets, one horizontal stiffener rail and flex nuts. Horizontal shelf stiffener is a bent steel tube.

### Specification Options

Specify laminate (L), "mixed" two-tone laminate (L) or veneer (V) case.

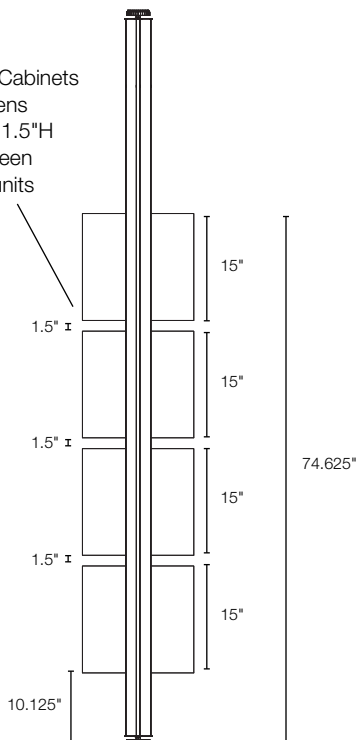
Case finish exterior is available in any Knoll core laminate, patterned or woodgrain laminate up to 60"W, or veneer. When the case exterior is laminate, case interior and inset back are available in any Knoll Core or Accent laminate. When an Accent laminate is specified, the edgeband will match the exterior core laminate finish.

Door sets are specified separately to enable any combination of wood or laminate case and doors. Specify door front sets in any Knoll Core laminate (L) or veneer (V).

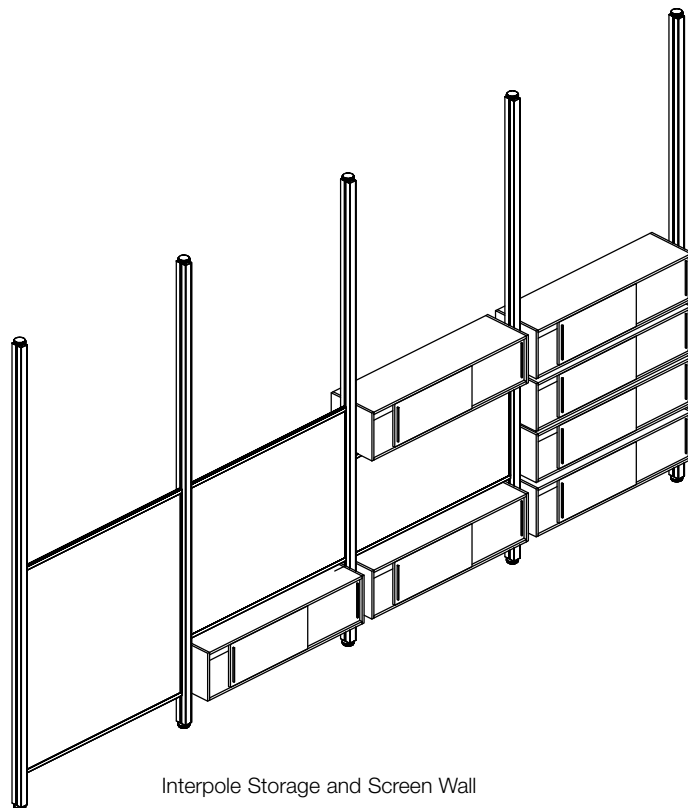
Pulls and mounting brackets are available in any Knoll Core paint finish, Dark Red or Slate Blue.

Specify optional fabric inserts separately.

Interpole Cabinets and Screens plan with 1.5"H gap between stacked units

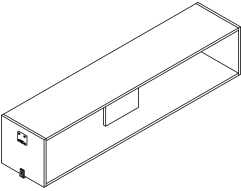
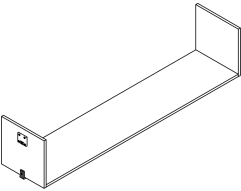
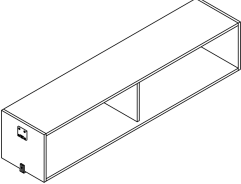


Interpole Storage Wall End Elevation



Interpole Storage and Screen Wall

# Interpole Horizontal Wood Storage For Mounting Between Two Poles Open Cabinets

description	w	d	h	pattern no.	All Same Laminate (Core Lam.) (L)	Different Laminate Case/Interior (Core Lam.) (L)	Different Laminate Case/Interior (Accent Lam.) (L)	V1 (V)	V2 (V)	V3 (V)
 Interpole Open Shelf	36"	15 5/8"	15"	<b>IPSOS3615()</b>	\$1,691.	\$1,843.	\$2,390.	\$2,390.	\$2,724.	\$3,363.
	42"	15 5/8"	15"	<b>IPSOS4215()</b>	1,719.	1,910.	2,498.	2,498.	2,847.	3,517.
	48"	15 5/8"	15"	<b>IPSOS4815()</b>	1,841.	2,005.	2,632.	2,632.	2,996.	3,698.
	54"	15 5/8"	15"	<b>IPSOS5415()</b>	1,924.	2,093.	2,697.	2,697.	3,066.	3,851.
	60"	15 5/8"	15"	<b>IPSOS6015()</b>	2,008.	2,182.	2,761.	2,761.	3,135.	4,001.
	66"	15 5/8"	15"	<b>IPSOS6615()</b>	2,071.	2,251.	2,917.	2,917.	3,318.	4,237.
	72"	15 5/8"	15"	<b>IPSOS7215()</b>	2,134.	2,322.	3,074.	3,074.	3,498.	4,470.
	 Interpole Open Shelf with Bookends	36"	15 5/8"	15"	<b>IPSOB3615()</b>	1,141.	n/a	n/a	1,655.	1,903.
42"		15 5/8"	15"	<b>IPSOB4215()</b>	1,156.	n/a	n/a	1,673.	1,923.	2,257.
48"		15 5/8"	15"	<b>IPSOB4815()</b>	1,236.	n/a	n/a	1,757.	2,021.	2,373.
54"		15 5/8"	15"	<b>IPSOB5415()</b>	1,404.	n/a	n/a	1,929.	2,220.	2,604.
60"		15 5/8"	15"	<b>IPSOB6015()</b>	1,744.	n/a	n/a	2,285.	2,628.	3,084.
66"		15 5/8"	15"	<b>IPSOB6615()</b>	1,903.	n/a	n/a	2,449.	2,817.	3,306.
72"		15 5/8"	15"	<b>IPSOB7215()</b>	1,961.	n/a	n/a	2,464.	2,834.	3,327.
 Interpole Open Shelf with Enclosed Back		36"	15 5/8"	15"	<b>IPSOE3615()</b>	1,738.	1,905.	2,409.	2,464.	2,745.
	42"	15 5/8"	15"	<b>IPSOE4215()</b>	1,792.	1,962.	2,521.	2,578.	2,913.	3,530.
	48"	15 5/8"	15"	<b>IPSOE4815()</b>	1,848.	2,016.	2,633.	2,690.	3,092.	3,753.
	54"	15 5/8"	15"	<b>IPSOE5415()</b>	2,016.	2,128.	2,801.	2,913.	3,361.	4,034.
	60"	15 5/8"	15"	<b>IPSOE6015()</b>	2,241.	2,464.	3,136.	3,305.	3,810.	4,538.
	66"	15 5/8"	15"	<b>IPSOE6615()</b>	2,296.	2,521.	3,249.	3,361.	3,865.	4,651.
	72"	15 5/8"	15"	<b>IPSOE7215()</b>	2,354.	2,578.	3,361.	3,416.	3,922.	4,706.

### Ordering Information

- Interpole Open Shelf**
1. Pattern Number
  2. Exterior Case Finish
  3. Interior Case Finish (Laminate only)
  4. Bracket Paint Finish

### Order Code

**Interpole Open Shelf**

*Example:* **IPSOS6015L, 118, 118, 118T**

<b>IPS</b>	Interpole Storage
<b>OS</b>	Open Shelf
<b>60</b>	Width
<b>15</b>	Depth
<b>L</b>	Laminate
<b>118</b>	Bright White Laminate
<b>118</b>	Bright White Laminate
<b>118T</b>	Bright White Paint

### Included With

**Interpole Open Shelf**

Mounting Brackets  
Hardware

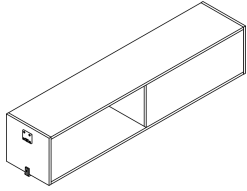
### Options

**Interpole Open Shelf**

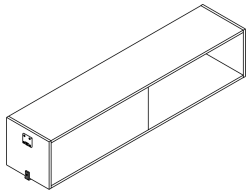
**Case Finish Options:**  
(L) = All the same or different laminates for the exterior and interior case  
(V) = All the same veneer for the exterior and interior case

# Interpole Horizontal Wood Storage For Mounting Between Two Poles Shared Open Cabinets

description	w	d	h	pattern no.	All Same	Different	Different	V1	V2	V3
					Laminate (Core Lam) (L)	Laminate Case/Interior (Core Lam.) (L)	Laminate Case/Interior (Accent Lam.) (L)			
Interpole Shared Open Front with Enclosed Back, Open on Left	36"	15 5/8"	15"	<b>IPSSOEL3615()</b>	\$1,738.	\$1,905.	\$2,409.	\$2,690.	\$3,026.	\$3,698.
	42"	15 5/8"	15"	<b>IPSSOEL4215()</b>	1,792.	1,961.	2,521.	2,745.	3,082.	3,865.
	48"	15 5/8"	15"	<b>IPSSOEL4815()</b>	1,848.	2,016.	2,633.	2,801.	3,193.	4,034.
	54"	15 5/8"	15"	<b>IPSSOEL5415()</b>	2,016.	2,185.	2,801.	2,968.	3,361.	4,313.
	60"	15 5/8"	15"	<b>IPSSOEL6015()</b>	2,241.	2,521.	3,136.	3,361.	3,922.	4,761.
	66"	15 5/8"	15"	<b>IPSSOEL6615()</b>	2,296.	2,690.	3,249.	3,472.	3,978.	4,929.
	72"	15 5/8"	15"	<b>IPSSOEL7215()</b>	2,354.	2,745.	3,361.	3,530.	4,034.	5,042.



Interpole Shared Open Front with Enclosed Back, Open on Right	36"	15 5/8"	15"	<b>IPSSOER3615()</b>	1,738.	1,905.	2,409.	2,690.	3,026.	3,698.
	42"	15 5/8"	15"	<b>IPSSOER4215()</b>	1,792.	1,961.	2,521.	2,745.	3,082.	3,865.
	48"	15 5/8"	15"	<b>IPSSOER4815()</b>	1,848.	2,016.	2,633.	2,801.	3,193.	4,034.
	54"	15 5/8"	15"	<b>IPSSOER5415()</b>	2,016.	2,185.	2,801.	2,968.	3,361.	4,313.
	60"	15 5/8"	15"	<b>IPSSOER6015()</b>	2,241.	2,521.	3,136.	3,361.	3,922.	4,761.
	66"	15 5/8"	15"	<b>IPSSOER6615()</b>	2,296.	2,690.	3,249.	3,472.	3,978.	4,929.
	66"	15 5/8"	15"	<b>IPSSOER7215()</b>	2,354.	2,745.	3,361.	3,530.	4,034.	5,042.



## Ordering Information

### Interpole Shared Open Shelf

1. Pattern Number
2. Exterior Case Finish
3. Interior Case Finish (Laminate only)
4. Bracket Paint Finish

## Order Code

### Interpole Open Shelf

*Example:* **IPSSOEL6015L, 118, 118, 118T**

<b>IPS</b>	Interpole Storage
<b>SOEL</b>	Shared Open Shelf, Open Left
<b>60</b>	Width
<b>15</b>	Depth
<b>L</b>	Laminate
<b>118</b>	Bright White Laminate
<b>118</b>	Bright White Laminate
<b>118T</b>	Bright White Paint

## Included With

### Interpole Shared Open Shelf

Mounting Brackets  
Hardware

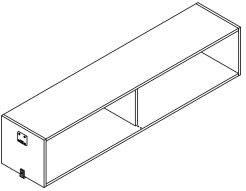
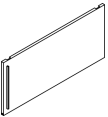
## Options

### Interpole Shared Open Shelf

#### Case Finish Options:

(L) = All the same or different laminates for the exterior and interior case  
(V) = All the same veneer for the exterior and interior case

# Interpole Horizontal Wood Storage For Mounting Between Two Poles Sliding Door Cabinets

description	w	d	h	pattern no.	All Same	Different	Different	V1	V2	V3
					Laminate	Laminate	Laminate			
					(Core Lam)	Case/Interior	Case/Interior	(V)	(V)	(V)
					(L)	(Core Lam.)	(Accent Lam.)	(V)	(V)	(V)
 Interpole Sliding Door Cabinet Case	36"	15 3/8"	15"	<b>IPSSD3615( )</b>	\$1,995.	\$2,178.	\$2,816.	\$2,816.	\$3,212.	\$3,973.
	42"	15 3/8"	15"	<b>IPSSD4215( )</b>	2,055.	2,244.	2,920.	2,920.	3,334.	4,125.
	48"	15 3/8"	15"	<b>IPSSD4815( )</b>	2,145.	2,339.	3,054.	3,054.	3,484.	4,306.
	54"	15 3/8"	15"	<b>IPSSD5415( )</b>	2,233.	2,433.	3,159.	3,159.	3,561.	4,481.
	60"	15 3/8"	15"	<b>IPSSD6015( )</b>	2,322.	2,578.	3,416.	3,416.	3,922.	4,818.
	66"	15 3/8"	15"	<b>IPSSD6615( )</b>	2,383.	2,745.	3,530.	3,530.	4,034.	4,986.
	72"	15 3/8"	15"	<b>IPSSD7215( )</b>	2,447.	2,801.	3,642.	3,642.	4,088.	5,098.
 Sliding Door Set for Interpole Sliding Door Cabinet Case	36"	3/4"	15"	<b>IPSSDK36( )</b>	616.	n/a	n/a	964.	1,109.	1,386.
	42"	3/4"	15"	<b>IPSSDK42( )</b>	670.	n/a	n/a	995.	1,146.	1,430.
	48"	3/4"	15"	<b>IPSSDK48( )</b>	725.	n/a	n/a	1,015.	1,166.	1,559.
	54"	3/4"	15"	<b>IPSSDK54( )</b>	763.	n/a	n/a	1,070.	1,233.	1,585.
	60"	3/4"	15"	<b>IPSSDK60( )</b>	786.	n/a	n/a	1,096.	1,266.	1,649.
	66"	3/4"	15"	<b>IPSSDK66( )</b>	826.	n/a	n/a	1,161.	1,334.	1,739.
	72"	3/4"	15"	<b>IPSSDK72( )</b>	847.	n/a	n/a	1,193.	1,368.	1,782.

### Ordering Information

#### Interpole Shared Open Shelf

1. Pattern Number
2. Exterior Case Finish
3. Interior Case Finish (Laminate only)
4. Bracket Paint Finish

#### Sliding Doors

1. Pattern Number
2. Door Finish
3. Pull Finish

### Order Code

#### Interpole Shared Open Shelf

*Example:* **IPSSOEL6015L, 118, 118T**

<b>IPS</b>	Interpole Storage
<b>SOEL</b>	Shared Open Shelf, Open Left
<b>60</b>	Width
<b>15</b>	Depth
<b>L</b>	Laminate
<b>118</b>	Bright White Laminate
<b>118</b>	Bright White Laminate
<b>118T</b>	Bright White Paint

#### Sliding Doors

*Example:* **IPSSDK60L 118, 118T**

<b>IPS</b>	Interpole Storage
<b>SDK</b>	Sliding Door Kit
<b>60</b>	Width
<b>L</b>	Laminate
<b>118</b>	Bright White Laminate
<b>118T</b>	Bright White Paint

### Included With

#### Interpole Shared Open Shelf

Mounting Brackets  
Hardware

#### Sliding Doors

Hardware

### Options

#### Interpole Shared Open Shelf

##### Case Finish Options:

(L) = All the same or different laminates for the exterior and interior case  
(V) = All the same veneer for the exterior and interior case

##### Sliding Doors

##### Door Finish Option:

(L) = Laminate  
(V) = Veneer

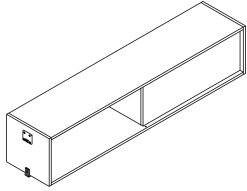
Door pulls are available in Knoll core paints, Dark Red (130) and Slate Blue (131) paint finishes.

# Interpole Horizontal Wood Storage

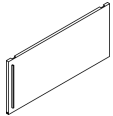
## For Mounting Between Two Poles

### Shared Sliding Door Cabinets with Opening on Left

description	w	d	h	pattern no.	All Same	Different	Different	V1	V2	V3
					Laminate (Core Lam.) (L)	Laminate Case/ Interior (Core Lam.) (L)	Laminate Case/Interior (Accent Lam.) (L)			
Interpole Shared Sliding Door Cabinet Case, Opening on Left	36"	15 5/8"	15"	<b>IPSSSDL3615()</b>	\$1,923.	\$2,099.	\$3,052.	\$3,052.	\$3,486.	\$4,480.
	42"	15 5/8"	15"	<b>IPSSSDL4215()</b>	1,987.	2,167.	3,117.	3,117.	3,557.	4,574.
	48"	15 5/8"	15"	<b>IPSSSDL4815()</b>	2,077.	2,195.	3,206.	3,206.	3,657.	4,697.
	54"	15 5/8"	15"	<b>IPSSSDL5415()</b>	2,357.	2,536.	3,423.	3,423.	3,738.	5,004.
	60"	15 5/8"	15"	<b>IPSSSDL6015()</b>	2,635.	2,873.	3,638.	3,638.	4,147.	5,314.
	66"	15 5/8"	15"	<b>IPSSSDL6615()</b>	2,698.	2,942.	3,763.	3,763.	4,291.	5,501.
	72"	15 5/8"	15"	<b>IPSSSDL7215()</b>	2,761.	3,010.	3,888.	3,888.	4,436.	5,688.



description	w	d	h	pattern no.				V1	V2	V3
	42"	3/4"	15"	<b>IPSSDKL42()</b>	722.	n/a	n/a	1,003.	1,155.	1,499.
	48"	3/4"	15"	<b>IPSSDKL48()</b>	753.	n/a	n/a	1,035.	1,191.	1,547.
	54"	3/4"	15"	<b>IPSSDKL54()</b>	764.	n/a	n/a	1,070.	1,233.	1,585.
	60"	3/4"	15"	<b>IPSSDKL60()</b>	786.	n/a	n/a	1,096.	1,266.	1,649.
	66"	3/4"	15"	<b>IPSSDKL66()</b>	826.	n/a	n/a	1,161.	1,334.	1,739.
	72"	3/4"	15"	<b>IPSSDKL72()</b>	847.	n/a	n/a	1,193.	1,368.	1,782.



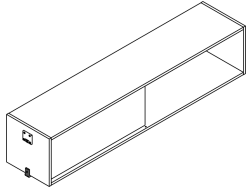
Ordering Information	Order Code	Included With	Options
<b>Interpole Shared Open Shelf</b> 1. Pattern Number 2. Exterior Case Finish 3. Interior Case Finish (Laminate only) 4. Bracket Paint Finish  <b>Sliding Doors</b> 1. Pattern Number 2. Door Finish 3. Pull Finish	<b>Interpole Shared Open Shelf</b>  <i>Example:</i> <b>IPSSOEL6015L, 118, 118, 118T</b>  <b>IPS</b> Interpole Storage <b>SOEL</b> Shared Open Shelf, Open Left  <b>60</b> Width <b>15</b> Depth <b>L</b> Laminate <b>118</b> Bright White Laminate <b>118</b> Bright White Laminate <b>118T</b> Bright White Paint  <b>Sliding Doors</b> <i>Example:</i> <b>IPSSDK60L 118, 118T</b> <b>IPS</b> Interpole Storage <b>SDK</b> Sliding Door Kit <b>60</b> Width <b>L</b> Laminate <b>118</b> Bright White Laminate <b>118T</b> Bright White Paint	<b>Interpole Shared Open Shelf</b>  Mounting Brackets Hardware  <b>Sliding Doors</b>  Hardware	<b>Interpole Shared Open Shelf</b>  <b>Case Finish Options:</b> (L) = All the same or different laminates for the exterior and interior case (V) = All the same veneer for the exterior and interior case  <b>Sliding Doors</b>  <b>Door Finish Option:</b> (L) = Laminate (V) = Veneer  Door pulls are available in Knoll core paints, Dark Red (130) and Slate Blue (131) paint finishes.

# Interpole Horizontal Wood Storage

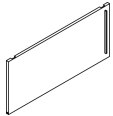
## For Mounting Between Two Poles

### Shared Sliding Door Cabinets with Opening on Right

description	w	d	h	pattern no.	All Same	Different	Different	V1	V2	V3
					Laminate (Core Lam.) (L)	Laminate Case/ Interior (Core Lam.) (L)	Laminate Case/Interior (Accent Lam.) (L)			
Interpole Shared Sliding Door Cabinet Case, Opening on Right	36"	15 5/8"	15"	<b>IPSSDR3615( )</b>	\$1,923.	\$2,099.	\$3,052.	\$3,052.	\$3,486.	\$4,480.
	42"	15 5/8"	15"	<b>IPSSDR4215( )</b>	1,987.	2,167.	3,117.	3,117.	3,557.	4,574.
	48"	15 5/8"	15"	<b>IPSSDR4815( )</b>	2,077.	2,195.	3,206.	3,206.	3,657.	4,697.
	54"	15 5/8"	15"	<b>IPSSDR5415( )</b>	2,357.	2,536.	3,423.	3,423.	3,738.	5,004.
	60"	15 5/8"	15"	<b>IPSSDR6015( )</b>	2,635.	2,873.	3,638.	3,638.	4,147.	5,314.
	66"	15 5/8"	15"	<b>IPSSDR6615( )</b>	2,698.	2,942.	3,763.	3,763.	4,291.	5,501.
	72"	15 5/8"	15"	<b>IPSSDR7215( )</b>	2,761.	3,010.	3,888.	3,888.	4,436.	5,688.



description	w	d	h	pattern no.				V1	V2	V3
36"	3/4"	15"	<b>IPSSDKR36( )</b>	690.	n/a	n/a	971.	1,119.	1,453.	
42"	3/4"	15"	<b>IPSSDKR42( )</b>	722.	n/a	n/a	1,003.	1,155.	1,499.	
48"	3/4"	15"	<b>IPSSDKR48( )</b>	753.	n/a	n/a	1,035.	1,191.	1,547.	
54"	3/4"	15"	<b>IPSSDKR54( )</b>	763.	n/a	n/a	1,070.	1,233.	1,585.	
60"	3/4"	15"	<b>IPSSDKR60( )</b>	786.	n/a	n/a	1,096.	1,266.	1,649.	
66"	3/4"	15"	<b>IPSSDKR66( )</b>	826.	n/a	n/a	1,161.	1,334.	1,739.	
72"	3/4"	15"	<b>IPSSDKR72( )</b>	847.	n/a	n/a	1,193.	1,368.	1,782.	



Ordering Information	Order Code	Included With	Options
<b>Interpole Shared Open Shelf</b> 1. Pattern Number 2. Exterior Case Finish 3. Interior Case Finish (Laminate only) 4. Bracket Paint Finish  <b>Sliding Doors</b> 1. Pattern Number 2. Door Finish 3. Pull Finish	<b>Interpole Shared Open Shelf</b>  <i>Example:</i> <b>IPSSOEL6015L, 118, 118, 118T</b>  <b>IPS</b> Interpole Storage <b>SOEL</b> Shared Open Shelf, Open Left  <b>60</b> Width <b>15</b> Depth <b>L</b> Laminate <b>118</b> Bright White Laminate <b>118</b> Bright White Laminate <b>118T</b> Bright White Paint <b>Sliding Doors</b> <i>Example:</i> <b>IPSSDK60L 118, 118T</b> <b>IPS</b> Interpole Storage <b>SDK</b> Sliding Door Kit <b>60</b> Width <b>L</b> Laminate <b>118</b> Bright White Laminate <b>118T</b> Bright White Paint	<b>Interpole Shared Open Shelf</b>  Mounting Brackets Hardware  <b>Sliding Doors</b>  Hardware	<b>Interpole Shared Open Shelf</b>  <b>Case Finish Options:</b> (L) = All the same or different laminates for the exterior and interior case (V) = All the same veneer for the exterior and interior case  <b>Sliding Doors</b>  <b>Door Finish Option:</b> (L) = Laminate (V) = Veneer  Door pulls are available in Knoll core paints, Dark Red (130) and Slate Blue (131) paint finishes.

# Interpole Horizontal Wood Storage

## *Fabric Inserts*

### *Planning Guidelines and Specifications*

#### **Fabric Inserts for Interpole Cabinets**

Fabric back insert is tackable fabric panel, nominal 1/2" thick, that fits in the recess behind the back of Interpole horizontal cabinets. Fabric back inserts are 1 1/2" less wide and 1 1/2" less high than cabinet to fit between sides, top and bottom.

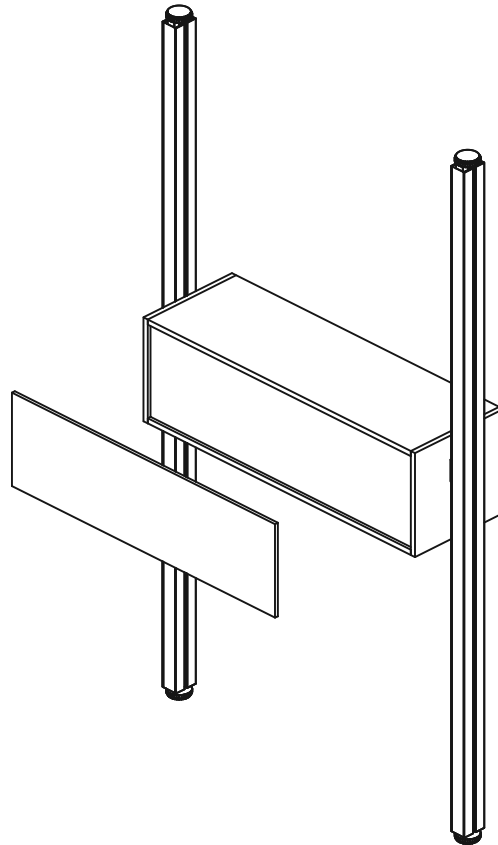
Fabric back insert is not applicable on cabinets without a recessed back.

#### **Construction**

Fabric back insert is 1/2" tackable tile with fabric applied on exterior surface and edges. Fabric inserts are installed using double-sided adhesive tape, which is included. Two fabric inserts are included for cabinets 60" and wider applications.

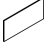
#### **Specification Options**

Fabric inserts may be specified in any Antenna approved textile. For Customers Own Material (COM) applications, see yardage chart in front of Price List.



Fabric Inserts are Installed in the Back of Interpole Horizontal Cabinets

Interpole Horizontal Wood Storage  
*Fabric Inserts*  
*For Interpole Mounted Cabinets*

description	w	d	h	pattern no.	grade				
					10	20	30	40	45
Fabric Inserts for Interpole Horizontal Cabinets	34 1/2"	1/2"	13 1/2"	<b>IPSI1536F</b>	\$308.	\$342.	\$383.	\$387.	\$413.
	40 1/2"	1/2"	13 1/2"	<b>IPSI1542F</b>	320.	348.	387.	392.	418.
	46 1/2"	1/2"	13 1/2"	<b>IPSI1548F</b>	320.	348.	387.	392.	418.
	52 1/2"	1/2"	13 1/2"	<b>IPSI1554F</b>	325.	355.	396.	399.	426.
	58 1/2"	1/2"	13 1/2"	<b>IPSI1560F</b>	553.	608.	614.	671.	702.
	64 1/2"	1/2"	13 1/2"	<b>IPSI1566F</b>	560.	611.	675.	684.	708.
	70 1/2"	1/2"	13 1/2"	<b>IPSI1572F</b>	560.	611.	675.	684.	708.

**Ordering Information**

**Fabric Inserts**

1. Pattern Number
2. Fabric

**Order Code**

**Fabric Inserts**

*Example:* **IPSI1560F, W1077**

<b>IPSI</b>	Fabric Insert
<b>15</b>	High
<b>60</b>	Wide
<b>F</b>	Tackable Fabric
<b>W1077</b>	Element

**Included With**

**Fabric Inserts**

**Options**

**Fabric Inserts**



### Interpole Vertical Open Cabinets

Interpole vertical open cabinets mount at any level using the slot on one side of a pole, providing compact open shelf storage for open plan, private offices or activity spaces. Interpole vertical cabinets are 64.5"H, 15"W and 15-5/8"D.

Interpole vertical cabinets include the mounting kit and hardware to secure case on one side of a pole.

Vertical open cabinets include four adjustable shelves and a full back, recessed 1/2" for optional fabric insert, specified separately.

Vertical cabinets can be specified with mounts on either left or right side gables to mount to the side of a pole.

Vertical cabinets mount at either end of a sequence of two or more poles connected by screens or horizontal storage components.

### Construction

Case is composed of 3/4" thick wood panels, with discreet glue-and-dowel connections.

Case mounts to poles with three 15/16" thick cast aluminum dove-tail spacers and inserts, flex nuts and an anti-dislodgement bracket with set screw.

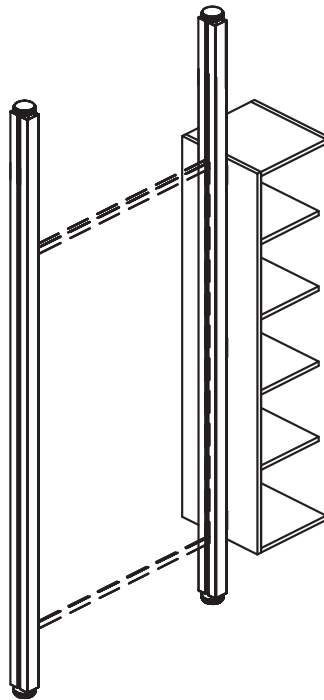
### Specification Options

Specify laminate (L), "mixed" two-tone laminate (L) or veneer (V) case.

Case finish exterior is available in any Knoll core laminate or veneer. When the case exterior is laminate, case interior, shelves and inset back are available in any Knoll Core or Accent laminate. When an Accent laminate is specified, the edgeband will match the exterior core laminate finish.

Mounting brackets are available in any Knoll Core paint finish, Dark Red or Slate Blue.

Specify optional fabric inserts separately.



Interpole Vertical Open Cabinet with Mounts on Left side

### Interpole Vertical Enclosed Cabinets

Interpole vertical enclosed cabinets mount at any level using the slot on one side of a pole, providing compact shelf or personal storage for open plan, private offices or activity spaces. Vertical enclosed cabinets are available in two configurations: vertical cabinet with four shelves, and vertical wardrobe cabinet. Interpole vertical enclosed cabinets are 64.5"H, 15"W and 16 1/2"D.

Interpole vertical cabinets include the mounting kit and hardware to secure case on one side of a pole.

All vertical enclosed cabinets have one full-height hinge door and a full back, recessed 1/2" for optional fabric insert, specified separately. Vertical cabinets can be specified with door hinges on either left or right side of cabinet as well as mounts on either left or right side gables to mount to the side of a pole.

Vertical enclosed cabinets with hinged door include four adjustable shelves.

Vertical wardrobe cabinets include a coat hook and adjustable lower shelf behind hinge door.

Vertical cabinets mount at either end of a sequence of two or more poles connected by screens or horizontal storage components.

### Construction

Case is composed of 3/4" thick wood panels, with discreet glue-and-dowel connections.

Case mounts to poles with three 15/16" thick cast aluminum dove-tail spacers and inserts, flex nuts and an anti-dislodgement bracket with set screw.

Hinged doors open 135 degrees for easy access.

### Specification Options

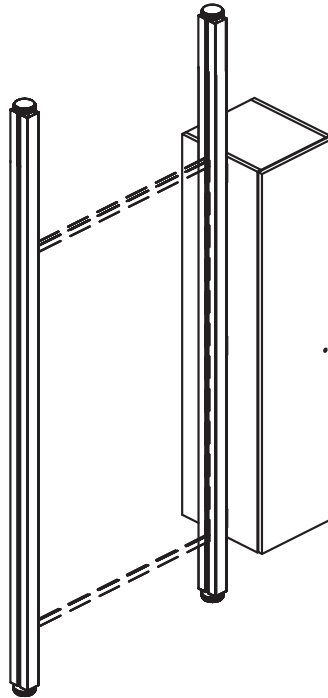
Specify laminate (L), laminate case with veneer front (M) or veneer (V) case. Cabinets are available either locking (L) or non-locking (N).

Case finish exterior is available in any Knoll core laminate or veneer. When the case exterior is laminate, specify door front finish in any Knoll Core laminate (L) or veneer (V).

Specify pull type: Edge (E) Insert (I) or Loop (O). Edge pulls are available in any Knoll Core paint finish, Dark Red, Slate Blue or in Chrome (PD). Loop pulls are available in any Knoll Core paint finish, Dark Red or Slate Blue. Insert pulls are available in Chrome (PD).

Mounting brackets are available in any Knoll Core paint finish, Dark Red or Slate Blue.

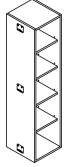
Specify optional fabric inserts separately.



Interpole Vertical Cabinet with Hinges and Mounts on Left Side

# Interpole Vertical Wood Storage For Mounting on Side Slot of Pole Open Cabinets

description	w	d	h	pattern no.	All Same Laminate (Core Lam.) (L)	Different Laminate Case/Interior (Core Lam.) (L)	Different Laminate Case/Interior (Accent Lam.) (L)	V1 (V)	V2 (V)	V3 (V)
Interpole Vertical Cabinet, Open with Four Shelves	15"	15 <sup>5</sup> / <sub>8</sub> "	64 <sup>1</sup> / <sub>2</sub> "	<b>IPSVOS1564L()</b>	\$2,464.	\$2,801.	\$3,698.	\$4,481.	\$5,153.	\$6,723.
	15"	15 <sup>5</sup> / <sub>8</sub> "	64 <sup>1</sup> / <sub>2</sub> "	<b>IPSVOS1564R()</b>	2,464.	2,801.	3,698.	4,481.	5,153.	6,723.

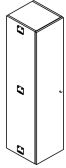


(left mount shown)

Ordering Information	Order Code	Included With	Options
<b>Interpole Vertical Cabinet, Open with Shelves</b>	<b>Interpole Vertical Cabinet, Open with Shelves</b>	<b>Interpole Vertical Cabinet, Open with Shelves</b>	<b>Interpole Vertical Cabinet, Open with Shelves</b>
1. Pattern Number	<i>Example:</i> <b>IPSVOS1564LL, 118, 118T</b>	Mounting Brackets	<b>Case Finish Options:</b>
2. Exterior Case Finish	<b>IPS</b> Interpole Storage	Hardware	(L) = All the same or different laminates for the exterior and interior case
3. Interior Case Finish (Laminate only)	<b>VOS</b> Vertical Cabinet Open with Shelves	(4) Adjustable Shelves	(V) = All the same veneer for the exterior and interior case
4. Bracket Paint Finish	<b>15</b> Depth		
	<b>64</b> Height		
	<b>L</b> Mounts on Left		
	<b>L</b> Laminate		
	<b>118</b> Bright White Laminate		
	<b>118</b> Bright White Laminate		
	<b>118T</b> Bright White Paint		

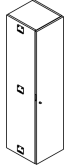
# Interpole Vertical Wood Storage For Mounting on Side Slot of Pole Cabinets with Doors

description	w	d	h	pattern no.	All Same	Laminate	Laminate	Laminate	All V1	All V2	All V3
					Laminate (Core Lam.) (L)	Case w/ V1 Fronts (M)	Case w/ V2 Fronts (M)	Case w/ V3 Fronts (M)			
Interpole Vertical Cabinet, Door with Four Shelves, Left Hinge	15"	16 1/2"	64 1/2"	<b>IPSVDL1564L( )L</b>	\$3,136.	\$3,472.	\$3,698.	\$3,922.	\$5,490.	\$6,274.	\$8,291.
	15"	16 1/2"	64 1/2"	<b>IPSVDL1564R( )L</b>	3,136.	3,472.	3,698.	3,922.	5,490.	6,274.	8,291.



(hinged left / mount left shown)

Interpole Vertical Cabinet, Door with Four Shelves, Right Hinge	15"	16 1/2"	64 1/2"	<b>IPSVDR1564L( )L</b>	3,136.	3,472.	3,698.	3,922.	5,490.	6,274.	8,291.
	15"	16 1/2"	64 1/2"	<b>IPSVDR1564R( )L</b>	3,136.	3,472.	3,698.	3,922.	5,490.	6,274.	8,291.

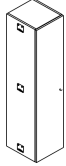


(hinged right / mount left shown)

Ordering Information	Order Code	Included With	Options
<b>Interpole Vertical Cabinet with Door and Shelves</b> 1. Pattern Number 2. Case Finish 3. Door Finish 4. Pull Type 5. Pull Paint Finish 6. Bracket Paint Finish	<b>Interpole Vertical Cabinet with Doors and Shelves</b>  <i>Example:</i> <b>IPSVDL1564LLN, 118, 118, E, 118T, 118T</b> <hr/> <b>IPS</b> Interpole Storage <hr/> <b>VDL</b> Vertical Cabinet with Door, Hinged Left <hr/> <b>15</b> Depth <hr/> <b>64</b> Height <hr/> <b>L</b> Mounts on Left <hr/> <b>L</b> Laminate <hr/> <b>N</b> Non-Locking <hr/> <b>118</b> Bright White Laminate <hr/> <b>118</b> Bright White Laminate <hr/> <b>E</b> Edge Pull <hr/> <b>118T</b> Bright White Paint <hr/> <b>118T</b> Bright White Paint	<b>Interpole Vertical Cabinet, Open with Shelves</b>  Mounting Brackets Hardware (4) Adjustable Shelves	<b>Interpole Vertical Cabinet with Door and Shelves</b>  <b>Case Finish Options:</b> (L) = All the same or different laminates for the exterior and interior case (M) = Laminate exterior case/shelves and veneer door front (V) = All the same veneer for the exterior case/shelves and door front  <b>Lock Options:</b> To specify an Interpole Vertical Storage cabinet without a lock, replace the final "L" suffix in the pattern number with an "N".  <b>Door Pull Options:</b> (E) = Edge Pull (I) = Insert Pull (O) = Loop Pull  See planning guide page for door pull finish options

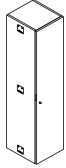
# Interpole Vertical Wood Storage For Mounting on Side Slot of Pole Wardrobe Cabinets

description	w	d	h	pattern no.	All Same Laminate (Core Lam.) (L)	Laminate Case w/ V1 Fronts (M)	Laminate Case w/ V2 Fronts (M)	Laminate Case w/ V3 Fronts (M)	All V1 (V)	All V2 (V)	All V3 (V)
Interpole Vertical Cabinet, Wardrobe, Left Hinge	15"	16 1/2"	64 1/2"	<b>IPSVWL1564L(JL)</b>	\$2,801.	\$3,136.	\$3,361.	\$3,585.	\$5,153.	\$5,939.	\$7,955.
	15"	16 1/2"	64 1/2"	<b>IPSVWL1564R(JL)</b>	2,801.	3,136.	3,361.	3,585.	5,153.	5,939.	7,955.



(hinged left / mount left shown)

Interpole Vertical Cabinet, Wardrobe, Right Hinge	15"	16 1/2"	64 1/2"	<b>IPSVWR1564L(JL)</b>	2,801.	3,136.	3,361.	3,585.	5,153.	5,939.	7,955.
	15"	16 1/2"	64 1/2"	<b>IPSVWR1564R(JL)</b>	2,801.	3,136.	3,361.	3,585.	5,153.	5,939.	7,955.



(hinged right / mount left shown)

Ordering Information	Order Code	Included With	Options
<b>Interpole Vertical Cabinet Wardrobe</b>	<b>Interpole Vertical Cabinet Wardrobe</b>	<b>Interpole Vertical Cabinet, Wardrobe</b>	<b>Interpole Vertical Cabinet with Door and Shelves</b>
1. Pattern Number	<i>Example:</i> <b>IPSVWL1564LLN, 118, 118, E, 118T, 118T</b>	Mounting Brackets	<b>Case Finish Options:</b>
2. Case Finish	<b>IPS</b> Interpole Storage	Hardware	(L) = All the same or different laminates for the exterior and interior case
3. Door Finish	<b>VWL</b> Vertical Wardrobe, Hinged on Left	Coat Hook	(M) = Laminate exterior case/shelves and veneer door front
4. Pull Type	<b>15</b> Depth	Low Shelf	(V) = All the same veneer for the exterior case/shelves and door front
5. Pull Paint Finish	<b>64</b> Height		
6. Bracket Paint Finish	<b>L</b> Mounts on Left		<b>Lock Options:</b>
	<b>L</b> Laminate		To specify an Interpole Vertical Storage cabinet without a lock, replace the final "L" suffix in the pattern number with an "N".
	<b>N</b> Non-Locking		
	<b>118</b> Bright White Laminate		<b>Door Pull Options:</b>
	<b>118</b> Bright White Laminate		(E) = Edge Pull
	<b>E</b> Edge Pull		(I) = Insert Pull
	<b>118T</b> Bright White Paint		(O) = Loop Pull
	<b>118T</b> Bright White Paint		

See planning guide page for door pull finish options

# Interpole Vertical Wood Storage

## *Fabric Inserts*

### *Planning Guidelines and Specifications*

#### **Fabric Insert for Interpole Cabinets**

Fabric back insert is tackable fabric panel, nominal 1/2" thick, that fits in the recess behind the back of Interpole vertical cabinets. Fabric back inserts are 1 1/2" less wide and 1 1/2" less high than cabinet to fit between sides, top and bottom.

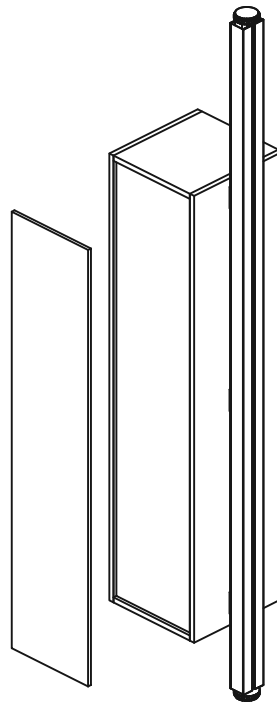
Fabric back insert is not applicable on cabinets without a recessed back.

#### **Construction**

Fabric back insert is 1/2" tackable tile with fabric applied on exterior surface and edges. Fabric inserts are installed using double-sided adhesive tape, which is included.

#### **Specification Options**

Fabric inserts may be specified in any Antenna approved textile. For Customers Own Material (COM) applications, see yardage chart in front of Price List.



Fabric Inserts are Installed in the Back of Interpole Vertical Cabinets

Interpole Vertical Wood Storage  
*Fabric Inserts*  
*For Interpole Vertical Cabinets*

description	w	d	h	pattern no.	grade				
					10	20	30	40	45
Fabric Inserts for Interpole Vertical Cabinets	15"	1/2"	64"	<b>IPSI6415F</b>	\$560.	\$611.	\$675.	\$684.	\$708.



**Ordering Information**

**Fabric Inserts**

1. Pattern Number
2. Fabric

**Order Code**

**Fabric Inserts**

*Example:* **IPSI6415F, W1077**

**IPSI** Fabric Insert

**64** High

**15** Wide

**F** Tackable Fabric

**W1077** Element

**Included With**

**Fabric Inserts**

**Options**

**Fabric Inserts**

### Antenna Simple Tables

Antenna Simple Tables are available as complete kits, including top, stiffener and legs. Preconfigured tables include round, square, rectangular and track shapes, in standard Antenna laminate or veneer top details, with painted finish legs.

Antenna Simple Table legs include a 1 1/4" round leg with 5"x5" top plate and are available with glides or casters. Tops are drilled at all four corners to position leg column at the corner or inset for rectangular tops 24"D or deeper. Antenna Simple Tables accept standard Antenna desk screens on tables 24" and 27"D when legs are in the outboard position or 30" and 36"D tables with legs positioned either outboard or inboard. Tables legs on 36" round tables may only be positioned in the outboard position.

Antenna Simple Table stiffeners are 9" less wide than the corresponding top width. Rectangular tops include factory drilled pilot holes to mount stiffeners either centered on top depth or offset 9" from the back edge. Round and Track shaped tops include pilot holes to mount the stiffener centered or offset 3" from center to avoid a centered grommet.

Table legs with glides include standard Antenna adjustable levelers with 3" continuous adjustment range. Table legs with casters include two locking and two non-locking threaded stem casters.

Antenna Simple Tables are available with or without a 2" round grommet. Rectangular and Track shaped tables feature two grommets positioned near the back edge. Round and Square shaped tables feature one centered grommet.

### Construction

Antenna Simple Table tops are nominal 1 3/16" thick with a laminate or veneer surface finish. Laminate tops have a laminate top surface with an FSC-certified particle board core and a neutral tone backer sheet for balanced construction. Edges can match the top or contrast in color, in 2.8mm ABS with 2.4mm radius top and bottom edges. Front and back edges overlap ends with a 2.4mm radius on outside corners.

Techwood and natural veneer tops have a veneer top surface, an FSC-certified partial board core and a neutral tone backer sheet for balanced construction. Veneer tops have matching finish 2.0mm solid veneer edges on all sides. Top and bottom edges have a 2.0mm radius. Veneer grain direction is parallel to front edge.

Laminate and veneer tops include metal inserts on the underside at each corner for leg plate attachment with machine screws.

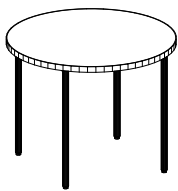
Legs are steel weldments with 1 1/4" round steel tube. Legs include 5" levelers with 5/8" stems and 3" continuous adjustment range. Leg plate is 3/8" thick steel with chamfered edge.

Stiffeners are 12 gauge steel with laser cut cleats for wire management.

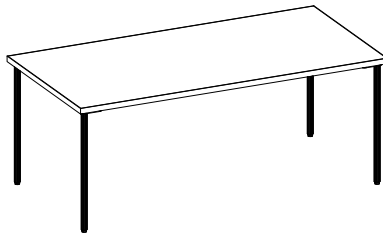
### Specification Options

Table tops may be specified in any Antenna solid, pattern or woodgrain laminate, with matching or contrasting ABS edge, or in any Antenna Techwood or natural veneer with matching solid veneer or ABS edge.

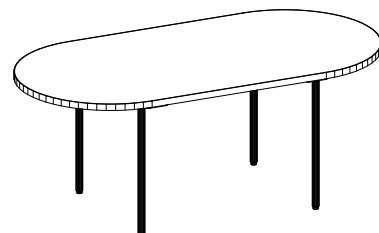
Legs may be specified in any standard Antenna smooth painted finish. Steel stiffener is default Medium Grey. Casters are default black.



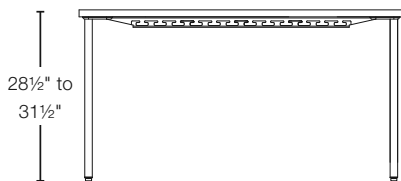
Round Simple Table,  
25 5/6" or 28 1/2"H



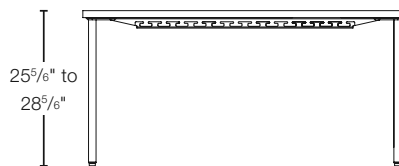
Rectangular Simple Table,  
25 5/6" or 28 1/2"H



Track Shaped Simple Table,  
25 5/6" or 28 1/2"H



Side Elevation of Desk Height,  
High Range, with Glides

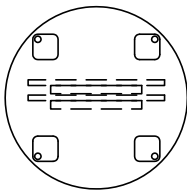


Side Elevation of Desk Height,  
Low Range, with Glides

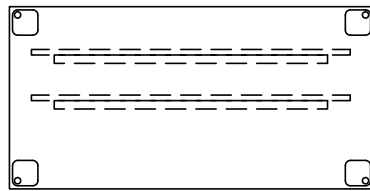


Side Elevation of  
Desk Height, with Casters

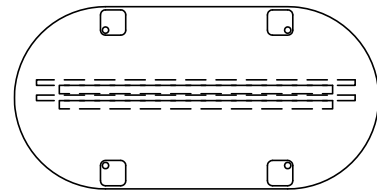




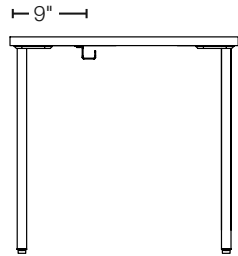
Round Simple  
Table Plan View



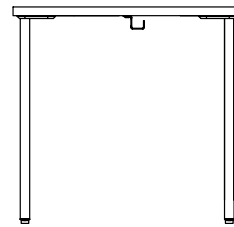
Rectangular Simple  
Table Plan View



Track Shaped Simple  
Table Plan View



End Elevation with  
Stiffener in Back Position

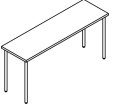


End Elevation with  
Stiffener in Center Position

# Antenna Simple Tables

## Rectangular Tables

### 18" Deep

description	type	w	d	h	pattern no.	Laminate (L)	M/V1 (V)	V2 (V)	V3 (V)
18"D Antenna Simple Tables with Rectangular Shaped Tops 	Desk height high range	36"	18"	28 1/2"	<b>YKTS3618SDHN</b>	\$984.	\$1,168.	\$1,215.	\$1,305.
		42"	18"	28 1/2"	<b>YKTS4218SDHN</b>	1,025.	1,203.	1,254.	1,358.
		48"	18"	28 1/2"	<b>YKTS4818SDHN</b>	1,056.	1,235.	1,291.	1,411.
		54"	18"	28 1/2"	<b>YKTS5418SDHN</b>	1,084.	1,268.	1,331.	1,463.
		60"	18"	28 1/2"	<b>YKTS6018SDHN</b>	1,130.	1,301.	1,368.	1,514.
		66"	18"	28 1/2"	<b>YKTS6618SDHN</b>	1,162.	1,350.	1,422.	1,582.
		72"	18"	28 1/2"	<b>YKTS7218SDHN</b>	1,193.	1,401.	1,478.	1,651.
		78"	18"	28 1/2"	<b>YKTS7818SDHN</b>	1,256.	1,451.	1,532.	1,719.
		84"	18"	28 1/2"	<b>YKTS8418SDHN</b>	1,297.	1,500.	1,587.	1,789.
		Desk height low range	36"	18"	25 5/6"	<b>YKTS3618SDLN</b>	984.	1,168.	1,215.
42"	18"		25 5/6"	<b>YKTS4218SDLN</b>	1,025.	1,203.	1,254.	1,358.	
48"	18"		25 5/6"	<b>YKTS4818SDLN</b>	1,056.	1,235.	1,291.	1,411.	
54"	18"		25 5/6"	<b>YKTS5418SDLN</b>	1,084.	1,268.	1,331.	1,463.	
60"	18"		25 5/6"	<b>YKTS6018SDLN</b>	1,130.	1,301.	1,368.	1,514.	
66"	18"		25 5/6"	<b>YKTS6618SDLN</b>	1,162.	1,350.	1,422.	1,582.	
72"	18"		25 5/6"	<b>YKTS7218SDLN</b>	1,193.	1,401.	1,478.	1,651.	
78"	18"		25 5/6"	<b>YKTS7818SDLN</b>	1,256.	1,451.	1,532.	1,719.	
84"	18"		25 5/6"	<b>YKTS8418SDLN</b>	1,297.	1,500.	1,587.	1,789.	
Desk height with casters	36"		18"	28 1/2"	<b>YKTS3618SDCN</b>	1,033.	1,223.	1,271.	1,360.
	42"	18"	28 1/2"	<b>YKTS4218SDCN</b>	1,078.	1,258.	1,308.	1,413.	
	48"	18"	28 1/2"	<b>YKTS4818SDCN</b>	1,107.	1,289.	1,346.	1,465.	
	54"	18"	28 1/2"	<b>YKTS5418SDCN</b>	1,135.	1,323.	1,384.	1,517.	
	60"	18"	28 1/2"	<b>YKTS6018SDCN</b>	1,180.	1,356.	1,422.	1,569.	
	66"	18"	28 1/2"	<b>YKTS6618SDCN</b>	1,234.	1,407.	1,478.	1,637.	
	72"	18"	28 1/2"	<b>YKTS7218SDCN</b>	1,243.	1,456.	1,532.	1,706.	
	78"	18"	28 1/2"	<b>YKTS7818SDCN</b>	1,307.	1,505.	1,586.	1,775.	
	84"	18"	28 1/2"	<b>YKTS8418SDCN</b>	1,348.	1,555.	1,641.	1,844.	

Antenna Simple Tables

#### Ordering Information

##### Antenna Simple Tables

1. Pattern Number
2. Grommet / no grommet
3. Top finish type
4. Top finish
5. Edge Finish (for laminate tops only)
6. Base finish (paint)
7. Grommet finish (paint)

#### Order Code

Tables	
<i>Example:</i>	<b>YKTS6018SDHNL, 118, 118</b>
<b>YKTS</b>	Antenna Simple Table
<b>60</b>	Width
<b>18</b>	Depth
<b>SDH</b>	Desk Height High Range
<b>N</b>	No Grommet
<b>L</b>	Laminate
<b>118</b>	Bright White Laminate
<b>118</b>	Bright White Edge
<b>118</b>	Bright White Leg

#### Included With

**Antenna Simple Tables**  
 Antenna Top  
 Table Legs  
 Stiffener  
 Leveling Glides or Casters  
 Attachment Hardware

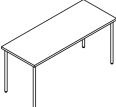
#### Options

**Antenna Simple Table**  
 (N) No grommet  
 (G) Grommet  
 For Grommets, add \$50 for rectangular and track shape tops. Add \$25 for round and square.  
**Top Finish Options:**  
 (L) = Laminate  
 (M) = Laminate top with wood edge  
 (V) = Veneer  
 Top may be specified in any Knoll core laminate or veneer.  
**Leg Finish Options:**  
 Legs are available in smooth Knoll core paints, Dark Red (130) and Slate blue (131) paint finishes.

# Antenna Simple Tables

## Rectangular Tables

### 24" Deep

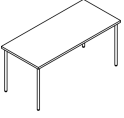
description	type	w	d	h	pattern no.	Laminate (L)	M/V1 (V)	V2 (V)	V3 (V)
24"D Antenna Simple Tables with Rectangular Shaped Tops 	Desk height high range	36"	24"	28 1/2"	<b>YKTS3624SDHN</b>	\$1,021.	\$1,210.	\$1,266.	\$1,383.
		42"	24"	28 1/2"	<b>YKTS4224SDHN</b>	1,072.	1,249.	1,309.	1,446.
		48"	24"	28 1/2"	<b>YKTS4824SDHN</b>	1,106.	1,288.	1,354.	1,507.
		54"	24"	28 1/2"	<b>YKTS5424SDHN</b>	1,141.	1,328.	1,397.	1,571.
		60"	24"	28 1/2"	<b>YKTS6024SDHN</b>	1,195.	1,365.	1,442.	1,712.
		66"	24"	28 1/2"	<b>YKTS6624SDHN</b>	1,232.	1,421.	1,503.	1,792.
		72"	24"	28 1/2"	<b>YKTS7224SDHN</b>	1,249.	1,478.	1,567.	1,872.
		78"	24"	28 1/2"	<b>YKTS7824SDHN</b>	1,338.	1,533.	1,629.	1,953.
		84"	24"	28 1/2"	<b>YKTS8424SDHN</b>	1,384.	1,588.	1,689.	1,952.
		Desk height low range	Desk height low range	36"	24"	25 5/6"	<b>YKTS3624SDLN</b>	1,021.	1,210.
42"	24"			25 5/6"	<b>YKTS4224SDLN</b>	1,072.	1,249.	1,309.	1,446.
48"	24"			25 5/6"	<b>YKTS4824SDLN</b>	1,106.	1,288.	1,354.	1,507.
54"	24"			25 5/6"	<b>YKTS5424SDLN</b>	1,141.	1,328.	1,397.	1,571.
60"	24"			25 5/6"	<b>YKTS6024SDLN</b>	1,195.	1,365.	1,442.	1,712.
66"	24"			25 5/6"	<b>YKTS6624SDLN</b>	1,232.	1,421.	1,503.	1,792.
72"	24"			25 5/6"	<b>YKTS7224SDLN</b>	1,249.	1,478.	1,567.	1,872.
78"	24"			25 5/6"	<b>YKTS7824SDLN</b>	1,338.	1,533.	1,629.	1,953.
84"	24"			25 5/6"	<b>YKTS8424SDLN</b>	1,384.	1,588.	1,689.	1,952.
Desk height with casters	Desk height with casters			36"	24"	28 1/2"	<b>YKTS3624SDCN</b>	1,074.	1,265.
		42"	24"	28 1/2"	<b>YKTS4224SDCN</b>	1,124.	1,304.	1,364.	1,500.
		48"	24"	28 1/2"	<b>YKTS4824SDCN</b>	1,159.	1,343.	1,409.	1,563.
		54"	24"	28 1/2"	<b>YKTS5424SDCN</b>	1,193.	1,382.	1,451.	1,626.
		60"	24"	28 1/2"	<b>YKTS6024SDCN</b>	1,245.	1,420.	1,496.	1,767.
		66"	24"	28 1/2"	<b>YKTS6624SDCN</b>	1,283.	1,476.	1,558.	1,847.
		72"	24"	28 1/2"	<b>YKTS7224SDCN</b>	1,301.	1,532.	1,621.	1,926.
		78"	24"	28 1/2"	<b>YKTS7824SDCN</b>	1,389.	1,587.	1,683.	2,007.
		84"	24"	28 1/2"	<b>YKTS8424SDCN</b>	1,436.	1,642.	1,744.	2,006.

Ordering Information	Order Code	Included With	Options
<b>Antenna Simple Tables</b>	<b>Tables</b>	<b>Antenna Simple Tables</b>	<b>Antenna Simple Table</b>
1. Pattern Number	<i>Example:</i> <b>YKTS6024SDHNL, 118, 118</b>	Antenna Top	(N) No grommet
2. Grommet / no grommet		Table Legs	(G) Grommet
3. Top finish type	<b>YKTS</b> Antenna Simple Table	Stiffener	For Grommets, add \$50 for rectangular and track shape tops. Add \$25 for round and square.
4. Top finish	<b>60</b> Width	Leveling Glides or Casters	<b>Top Finish Options:</b>
5. Edge Finish (for laminate tops only)	<b>24</b> Depth	Attachment Hardware	(L) = Laminate
6. Base finish (paint)	<b>SDH</b> Desk Height High Range		(M) = Laminate top with wood edge
7. Grommet finish (paint)	<b>N</b> No Grommet		(V) = Veneer
	<b>L</b> Laminate		Top may be specified in any Knoll core laminate or veneer.
	<b>118</b> Bright White Laminate		<b>Leg Finish Options:</b>
	<b>118</b> Bright White Edge		Legs are available in smooth Knoll core paints, Dark Red (130) and Slate blue (131) paint finishes.
	<b>118</b> Bright White Leg		

# Antenna Simple Tables

## Rectangular Tables

### 27" Deep

description	type	w	d	h	pattern no.	Laminate (L)	M/V1 (V)	V2 (V)	V3 (V)		
27"D Antenna Simple Tables with Rectangular Shaped Tops 	Desk height high range	36"	27"	28 1/2"	<b>YKTS3627SDHN</b>	\$1,041.	\$1,223.	\$1,282.	\$1,415.		
		42"	27"	28 1/2"	<b>YKTS4227SDHN</b>	1,094.	1,270.	1,335.	1,487.		
		48"	27"	28 1/2"	<b>YKTS4827SDHN</b>	1,132.	1,315.	1,386.	1,558.		
		54"	27"	28 1/2"	<b>YKTS5427SDHN</b>	1,169.	1,361.	1,440.	1,631.		
		60"	27"	28 1/2"	<b>YKTS6027SDHN</b>	1,225.	1,407.	1,491.	1,703.		
		66"	27"	28 1/2"	<b>YKTS6627SDHN</b>	1,235.	1,469.	1,549.	1,781.		
		72"	27"	28 1/2"	<b>YKTS7227SDHN</b>	1,251.	1,509.	1,607.	1,858.		
		78"	27"	28 1/2"	<b>YKTS7827SDHN</b>	1,377.	1,563.	1,665.	1,936.		
		84"	27"	28 1/2"	<b>YKTS8427SDHN</b>	1,428.	1,613.	1,719.	2,013.		
		<hr/>									
			Desk height low range	36"	27"	25 3/6"	<b>YKTS3627SDLN</b>	1,041.	1,223.	1,282.	1,415.
				42"	27"	25 3/6"	<b>YKTS4227SDLN</b>	1,094.	1,270.	1,335.	1,487.
				48"	27"	25 3/6"	<b>YKTS4827SDLN</b>	1,132.	1,315.	1,386.	1,558.
	54"	27"		25 3/6"	<b>YKTS5427SDLN</b>	1,169.	1,361.	1,440.	1,631.		
	60"	27"		25 3/6"	<b>YKTS6027SDLN</b>	1,225.	1,407.	1,491.	1,703.		
	66"	27"		25 3/6"	<b>YKTS6627SDLN</b>	1,235.	1,469.	1,549.	1,781.		
	72"	27"		25 3/6"	<b>YKTS7227SDLN</b>	1,251.	1,509.	1,607.	1,858.		
	78"	27"		25 3/6"	<b>YKTS7827SDLN</b>	1,377.	1,563.	1,665.	1,936.		
	84"	27"		25 3/6"	<b>YKTS8427SDLN</b>	1,428.	1,613.	1,719.	2,013.		
<hr/>											
	Desk height with casters	36"	27"	28 1/2"	<b>YKTS3627SDCN</b>	1,093.	1,278.	1,337.	1,469.		
		42"	27"	28 1/2"	<b>YKTS4227SDCN</b>	1,147.	1,324.	1,389.	1,541.		
		48"	27"	28 1/2"	<b>YKTS4827SDCN</b>	1,182.	1,370.	1,442.	1,613.		
		54"	27"	28 1/2"	<b>YKTS5427SDCN</b>	1,222.	1,416.	1,494.	1,686.		
		60"	27"	28 1/2"	<b>YKTS6027SDCN</b>	1,277.	1,461.	1,545.	1,757.		
		66"	27"	28 1/2"	<b>YKTS6627SDCN</b>	1,291.	1,525.	1,604.	1,835.		
		72"	27"	28 1/2"	<b>YKTS7227SDCN</b>	1,323.	1,566.	1,662.	1,913.		
		78"	27"	28 1/2"	<b>YKTS7827SDCN</b>	1,428.	1,617.	1,718.	1,991.		
		84"	27"	28 1/2"	<b>YKTS8427SDCN</b>	1,482.	1,668.	1,775.	2,069.		

Antenna Simple Tables

#### Ordering Information

##### Antenna Simple Tables

1. Pattern Number
2. Grommet / no grommet
3. Top finish type
4. Top finish
5. Edge Finish (for laminate tops only)
6. Base finish (paint)
7. Grommet finish (paint)

#### Order Code

Tables	
<i>Example:</i>	<b>YKTS6027SDHNL, 118, 118</b>
<b>YKTS</b>	Antenna Simple Table
<b>60</b>	Width
<b>27</b>	Depth
<b>SDH</b>	Desk Height High Range
<b>N</b>	No Grommet
<b>L</b>	Laminate
<b>118</b>	Bright White Laminate
<b>118</b>	Bright White Edge
<b>118</b>	Bright White Leg

#### Included With

**Antenna Simple Tables**  
 Antenna Top  
 Table Legs  
 Stiffener  
 Leveling Glides or Casters  
 Attachment Hardware

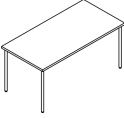
#### Options

**Antenna Simple Table**  
 (N) No grommet  
 (G) Grommet  
 For Grommets, add \$50 for rectangular and track shape tops. Add \$25 for round and square.  
**Top Finish Options:**  
 (L) = Laminate  
 (M) = Laminate top with wood edge  
 (V) = Veneer  
 Top may be specified in any Knoll core laminate or veneer.  
**Leg Finish Options:**  
 Legs are available in smooth Knoll core paints, Dark Red (130) and Slate blue (131) paint finishes.

# Antenna Simple Tables

## Rectangular Tables

### 30" Deep

description	type	w	d	h	pattern no.	Laminate (L)	M/V1 (V)	V2 (V)	V3 (V)		
30"D Antenna Simple Tables with Rectangular Shaped Tops 	Desk height high range	36"	30"	28 1/2"	<b>YKTS3630SDHN</b>	\$1,062.	\$1,237.	\$1,300.	\$1,444.		
		42"	30"	28 1/2"	<b>YKTS4230SDHN</b>	1,119.	1,284.	1,355.	1,521.		
		48"	30"	28 1/2"	<b>YKTS4830SDHN</b>	1,159.	1,332.	1,410.	1,597.		
		54"	30"	28 1/2"	<b>YKTS5430SDHN</b>	1,199.	1,378.	1,464.	1,674.		
		60"	30"	28 1/2"	<b>YKTS6030SDHN</b>	1,255.	1,425.	1,515.	1,749.		
		66"	30"	28 1/2"	<b>YKTS6630SDHN</b>	1,302.	1,483.	1,571.	1,815.		
		72"	30"	28 1/2"	<b>YKTS7230SDHN</b>	1,342.	1,539.	1,619.	1,919.		
		78"	30"	28 1/2"	<b>YKTS7830SDHN</b>	1,418.	1,596.	1,709.	2,005.		
		84"	30"	28 1/2"	<b>YKTS8430SDHN</b>	1,473.	1,650.	1,764.	2,087.		
		<hr/>									
			Desk height low range	36"	30"	25 5/6"	<b>YKTS3630SDLN</b>	1,062.	1,237.	1,300.	1,444.
				42"	30"	25 5/6"	<b>YKTS4230SDLN</b>	1,119.	1,284.	1,355.	1,521.
				48"	30"	25 5/6"	<b>YKTS4830SDLN</b>	1,159.	1,332.	1,410.	1,597.
	54"	30"		25 5/6"	<b>YKTS5430SDLN</b>	1,199.	1,378.	1,464.	1,674.		
	60"	30"		25 5/6"	<b>YKTS6030SDLN</b>	1,255.	1,425.	1,515.	1,749.		
	66"	30"		25 5/6"	<b>YKTS6630SDLN</b>	1,302.	1,483.	1,571.	1,815.		
	72"	30"		25 5/6"	<b>YKTS7230SDLN</b>	1,342.	1,539.	1,619.	1,919.		
	78"	30"		25 5/6"	<b>YKTS7830SDLN</b>	1,418.	1,596.	1,709.	2,005.		
	84"	30"		25 5/6"	<b>YKTS8430SDLN</b>	1,473.	1,650.	1,764.	2,087.		
<hr/>											
	Desk height with casters	36"	30"	28 1/2"	<b>YKTS3630SDCN</b>	1,113.	1,291.	1,355.	1,498.		
		42"	30"	28 1/2"	<b>YKTS4230SDCN</b>	1,169.	1,339.	1,410.	1,575.		
		48"	30"	28 1/2"	<b>YKTS4830SDCN</b>	1,210.	1,385.	1,464.	1,651.		
		54"	30"	28 1/2"	<b>YKTS5430SDCN</b>	1,250.	1,432.	1,519.	1,729.		
		60"	30"	28 1/2"	<b>YKTS6030SDCN</b>	1,308.	1,481.	1,570.	1,804.		
		66"	30"	28 1/2"	<b>YKTS6630SDCN</b>	1,354.	1,537.	1,626.	1,869.		
		72"	30"	28 1/2"	<b>YKTS7230SDCN</b>	1,395.	1,594.	1,674.	1,973.		
		78"	30"	28 1/2"	<b>YKTS7830SDCN</b>	1,470.	1,650.	1,763.	2,060.		
		84"	30"	28 1/2"	<b>YKTS8430SDCN</b>	1,525.	1,705.	1,820.	2,142.		

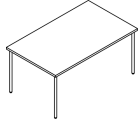
Ordering Information	Order Code	Included With	Options
<b>Antenna Simple Tables</b> 1. Pattern Number 2. Grommet / no grommet 3. Top finish type 4. Top finish 5. Edge Finish (for laminate tops only) 6. Base finish (paint) 7. Grommet finish (paint)	<b>Tables</b> <i>Example:</i> <b>YKTS6030SDHNL, 118, 118</b> <hr/> <b>YKTS</b> Antenna Simple Table <hr/> <b>60</b> Width <hr/> <b>30</b> Depth <hr/> <b>SDH</b> Desk Height High Range <hr/> <b>N</b> No Grommet <hr/> <b>L</b> Laminate <hr/> <b>118</b> Bright White Laminate <hr/> <b>118</b> Bright White Edge <hr/> <b>118</b> Bright White Leg	<b>Antenna Simple Tables</b> Antenna Top Table Legs Stiffener Leveling Glides or Casters Attachment Hardware	<b>Antenna Simple Table</b> (N) No grommet (G) Grommet For Grommets, add \$50 for rectangular and track shape tops. Add \$25 for round and square. <b>Top Finish Options:</b> (L) = Laminate (M) = Laminate top with wood edge (V) = Veneer Top may be specified in any Knoll core laminate or veneer. <b>Leg Finish Options:</b> Legs are available in smooth Knoll core paints, Dark Red (130) and Slate blue (131) paint finishes.

# Antenna Simple Tables

## Rectangular Tables

### 36" Deep

description	type	w	d	h	pattern no.	Laminate (L)	M/V1 (V)	V2 (V)	V3 (V)
36"D Antenna Simple Tables with Rectangular Shaped Tops	Desk height high range	36"	36"	28 1/2"	<b>YKTS3636SDHN</b>	\$1,101.	\$1,275.	\$1,357.	\$1,529.
		42"	36"	28 1/2"	<b>YKTS4236SDHN</b>	1,163.	1,321.	1,410.	1,607.
		48"	36"	28 1/2"	<b>YKTS4836SDHN</b>	1,210.	1,370.	1,462.	1,686.
		54"	36"	28 1/2"	<b>YKTS5436SDHN</b>	1,256.	1,419.	1,514.	1,763.
		60"	36"	28 1/2"	<b>YKTS6036SDHN</b>	1,322.	1,467.	1,566.	1,843.
		66"	36"	28 1/2"	<b>YKTS6636SDHN</b>	1,371.	1,527.	1,631.	1,936.
		72"	36"	28 1/2"	<b>YKTS7236SDHN</b>	1,419.	1,585.	1,697.	2,029.
		78"	36"	28 1/2"	<b>YKTS7836SDHN</b>	1,499.	1,644.	1,761.	2,121.
		84"	36"	28 1/2"	<b>YKTS8436SDHN</b>	1,559.	1,702.	1,829.	2,213.
			Desk height low range	36"	36"	25 3/6"	<b>YKTS3636SDLN</b>	1,101.	1,275.
42"	36"			25 3/6"	<b>YKTS4236SDLN</b>	1,163.	1,321.	1,410.	1,607.
48"	36"			25 3/6"	<b>YKTS4836SDLN</b>	1,210.	1,370.	1,462.	1,686.
54"	36"			25 3/6"	<b>YKTS5436SDLN</b>	1,256.	1,419.	1,514.	1,763.
60"	36"			25 3/6"	<b>YKTS6036SDLN</b>	1,322.	1,467.	1,566.	1,843.
66"	36"			25 3/6"	<b>YKTS6636SDLN</b>	1,371.	1,527.	1,631.	1,936.
72"	36"			25 3/6"	<b>YKTS7236SDLN</b>	1,419.	1,585.	1,697.	2,029.
78"	36"			25 3/6"	<b>YKTS7836SDLN</b>	1,499.	1,644.	1,761.	2,121.
84"	36"			25 3/6"	<b>YKTS8436SDLN</b>	1,559.	1,702.	1,829.	2,213.
	Desk height with casters			36"	36"	28 1/2"	<b>YKTS3636SDCN</b>	1,154.	1,329.
		42"	36"	28 1/2"	<b>YKTS4236SDCN</b>	1,215.	1,375.	1,464.	1,662.
		48"	36"	28 1/2"	<b>YKTS4836SDCN</b>	1,262.	1,424.	1,516.	1,741.
		54"	36"	28 1/2"	<b>YKTS5436SDCN</b>	1,307.	1,473.	1,569.	1,819.
		60"	36"	28 1/2"	<b>YKTS6036SDCN</b>	1,373.	1,523.	1,620.	1,898.
		66"	36"	28 1/2"	<b>YKTS6636SDCN</b>	1,422.	1,580.	1,686.	1,991.
		72"	36"	28 1/2"	<b>YKTS7236SDCN</b>	1,470.	1,639.	1,751.	2,083.
		78"	36"	28 1/2"	<b>YKTS7836SDCN</b>	1,552.	1,699.	1,817.	2,176.
		84"	36"	28 1/2"	<b>YKTS8436SDCN</b>	1,611.	1,756.	1,885.	2,266.



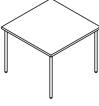
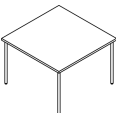
Antenna Simple Tables

Ordering Information	Order Code	Included With	Options
<b>Antenna Simple Tables</b>	<b>Tables</b>	<b>Antenna Simple Tables</b>	<b>Antenna Simple Table</b>
1. Pattern Number	<i>Example:</i> <b>YKTS6036SDHNL, 118, 118</b>	Antenna Top	(N) No grommet
2. Grommet / no grommet		Table Legs	(G) Grommet
3. Top finish type	<b>YKTS</b> Antenna Simple Table	Stiffener	For Grommets, add \$50 for rectangular and track shape tops. Add \$25 for round and square
4. Top finish	<b>60</b> Width	Leveling Glides or Casters	
5. Edge Finish (for laminate tops only)	<b>36</b> Depth	Attachment Hardware	
6. Base finish (paint)	<b>SDH</b> Desk Height High Range		<b>Top Finish Options:</b>
7. Grommet finish (paint)	<b>N</b> No Grommet		(L) = Laminate
	<b>L</b> Laminate		(M) = Laminate top with wood edge
	<b>118</b> Bright White Laminate		(V) = Veneer
	<b>118</b> Bright White Edge		Top may be specified in any Knoll core laminate or veneer.
	<b>118</b> Bright White Leg		<b>Leg Finish Options:</b>
			Legs are available in smooth Knoll core paints, Dark Red (130) and Slate blue (131) paint finishes.

# Antenna Simple Tables

## Square Tables

### 36" and 42" Deep

description	type	w	d	h	pattern no.	Laminate (L)	M/V1 (V)	V2 (V)	V3 (V)
36"D Antenna Simple Tables with Square Shaped Tops 	Desk height high range	36"	36"	28½"	<b>YKTS3636SDHN</b>	\$1,101.	\$1,275.	\$1,357.	\$1,529.
	Desk height low range	36"	36"	25⅝"	<b>YKTS3636SDLN</b>	1,101.	1,275.	1,357.	1,529.
	Desk height with casters	36"	36"	28½"	<b>YKTS3636SDCN</b>	1,154.	1,329.	1,412.	1,582.
42"D Antenna Simple Tables with Square Shaped Tops 	Desk height high range	42"	42"	28½"	<b>YKTS4242SDHN</b>	1,218.	1,414.	1,498.	1,728.
	Desk height low range	42"	42"	25⅝"	<b>YKTS4242SDLN</b>	1,218.	1,414.	1,498.	1,728.
	Desk height with casters	42"	42"	28½"	<b>YKTS4242SDCN</b>	1,271.	1,456.	1,541.	1,770.

#### Ordering Information

##### Antenna Simple Tables

1. Pattern Number
2. Grommet / no grommet
3. Top finish type
4. Top finish
5. Edge Finish (for laminate tops only)
6. Base finish (paint)
7. Grommet finish (paint)

#### Order Code

##### Tables

*Example:* **YKTS3636SDHNL, 118, 118, 118**

<b>YKTS</b>	Antenna Simple Table
<b>36</b>	Width
<b>36</b>	Depth
<b>SDH</b>	Desk Height High Range
<b>N</b>	No Grommet
<b>L</b>	Laminate
<b>118</b>	Bright White Laminate
<b>118</b>	Bright White Edge
<b>118</b>	Bright White Leg

#### Included With

**Antenna Simple Tables**  
 Antenna Top  
 Table Legs  
 Stiffener  
 Leveling Glides or Casters  
 Attachment Hardware

#### Options

##### Antenna Simple Table

(N) No grommet  
 (G) Grommet

For Grommets, add \$50 for rectangular and track shape tops. Add \$25 for round and square.

##### Top Finish Options:

(L) = Laminate  
 (M) = Laminate top with wood edge  
 (V) = Veneer

Top may be specified in any Knoll core laminate or veneer.



##### Leg Finish Options:

Legs are available in smooth Knoll core paints, Dark Red (130) and Slate blue (131) paint finishes.

# Antenna Simple Tables

## Round Tables

### 36" and 42" Deep

description	type	w	d	h	pattern no.	Laminate (L)	M/V1 (V)	V2 (V)	V3 (V)
36"D Antenna Simple Tables with Round Shaped Tops 	Desk height high range	36"	36"	28 1/2"	<b>YKTR36SDHN</b>	\$1,095.	\$2,412.	\$2,464.	\$2,646.
	Desk height low range	36"	36"	25 5/8"	<b>YKTR36SDLN</b>	1,095.	2,412.	2,464.	2,646.
	Desk height with casters	36"	36"	28 1/2"	<b>YKTR36SDCN</b>	1,147.	2,454.	2,507.	2,688.
42"D Antenna Simple Tables with Round Shaped Tops 	Desk height high range	42"	42"	28 1/2"	<b>YKTR42SDHN</b>	1,212.	2,539.	2,603.	2,845.
	Desk height low range	42"	42"	25 5/8"	<b>YKTR42SDLN</b>	1,212.	2,539.	2,603.	2,845.
	Desk height with casters	42"	42"	28 1/2"	<b>YKTR42SDCN</b>	1,264.	2,580.	2,646.	2,886.

Antenna Simple Tables

#### Ordering Information

##### Antenna Simple Tables

1. Pattern Number
2. Grommet / no grommet
3. Top finish type
4. Top finish
5. Edge Finish (for laminate tops only)
6. Base finish (paint)
7. Grommet finish (paint)

#### Order Code

Tables	
<i>Example:</i>	<b>YKTS6030SDHNL, 118, 118</b>
<b>YKTS</b>	Antenna Simple Table
<b>60</b>	Width
<b>30</b>	Depth
<b>SDH</b>	Desk Height High Range
<b>N</b>	No Grommet
<b>L</b>	Laminate
<b>118</b>	Bright White Laminate
<b>118</b>	Bright White Edge
<b>118</b>	Bright White Leg

#### Included With

**Antenna Simple Tables**  
 Antenna Top  
 Table Legs  
 Stiffener  
 Leveling Glides or Casters  
 Attachment Hardware

#### Options

**Antenna Simple Table**  
 (N) No grommet  
 (G) Grommet  
 For Grommets, add \$50 for rectangular and track shape tops. Add \$25 for round and square.  
**Top Finish Options:**  
 (L) = Laminate  
 (M) = Laminate top with wood edge  
 (V) = Veneer  
 Top may be specified in any Knoll core laminate or veneer.  
**Leg Finish Options:**  
 Legs are available in smooth Knoll core paints, Dark Red (130) and Slate blue (131) paint finishes.

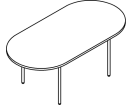


# Antenna Simple Tables

## Track Tables

### 36" Deep

description	type	w	d	h	pattern no.	Laminate (L)	M/V1 (V)	V2 (V)	V3 (V)
36"D Antenna Simple Tables with Track Shaped Tops	Desk height high range	72"	36"	28½"	<b>YKTT7236SDHN</b>	\$1,425.	\$2,815.	\$2,930.	\$3,261.
	Desk height low range	72"	36"	25⅝"	<b>YKTT7236SDLN</b>	1,425.	2,815.	2,930.	3,261.
	Desk height with casters	72"	36"	28½"	<b>YKTT7236SDCN</b>	1,481.	2,857.	2,974.	3,304.



#### Ordering Information

##### Antenna Simple Tables

1. Pattern Number
2. Grommet / no grommet
3. Top finish type
4. Top finish
5. Edge Finish  
(for laminate tops only)
6. Base finish (paint)
7. Grommet finish  
(paint)

#### Order Code

##### Tables

*Example:* **YKTS6030SDHNL, 118, 118**

<b>YKTS</b>	Antenna Simple Table
<b>60</b>	Width
<b>30</b>	Depth
<b>SDH</b>	Desk Height High Range
<b>N</b>	No Grommet
<b>L</b>	Laminate
<b>118</b>	Bright White Laminate
<b>118</b>	Bright White Edge
<b>118</b>	Bright White Leg

#### Included With

**Antenna Simple Tables**  
 Antenna Top  
 Table Legs  
 Stiffener  
 Leveling Glides or Casters  
 Attachment Hardware

#### Options

##### Antenna Simple Table

(N) No grommet  
 (G) Grommet

For Grommets, add \$50 for rectangular and track shape tops. Add \$25 for round and square.

##### Top Finish Options:

(L) = Laminate  
 (M) = Laminate top with wood edge  
 (V) = Veneer

Top may be specified in any Knoll core laminate or veneer.

##### Leg Finish Options:

Legs are available in smooth Knoll core paints, Dark Red (130) and Slate blue (131) paint finishes.

Modesty panels enable full width, flush enclosure under Antenna Simple tables. Modesty panels are suspended from the desktop and available in half height or full height versions. In both heights, modesty panels can be specified with or without a 1 1/4" high cord passage at the top to enable wire management or clamp-on accessories like Sapper monitor arm or desktop outlet center.

Half height modesty panels for Antenna Simple tables start at 10 1/2" above the floor on desk height high range and tables specified with casters, and 7 3/4" above the floor on desk height low range tables. Both modesty heights correspond in width to desk tops and are available in 6" wide increments from 36" to 84".

Modesty panels include two or three brackets to the underside of a desktop and offset brackets to secure the inside of the panel to the back of Antenna Simple table legs. Offset brackets define a 3/4" space between the inside of the panel and the back edge of the table legs.

Full height modesty panels should not be planned in combination with desk height low range or tables on casters.

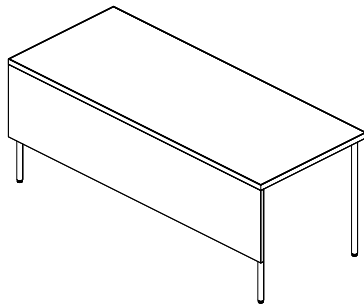
Modesty panel brackets do not deface the legs and may be added or removed without disassembling the table.

### Construction

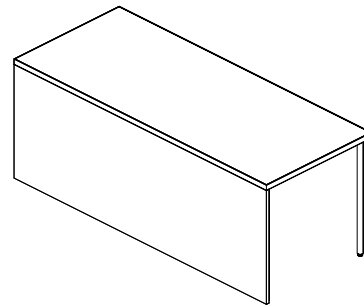
Modesty panels are 3/4" thick veneer, laminate or painted wood and include steel and cast aluminum brackets.

### Specification Options

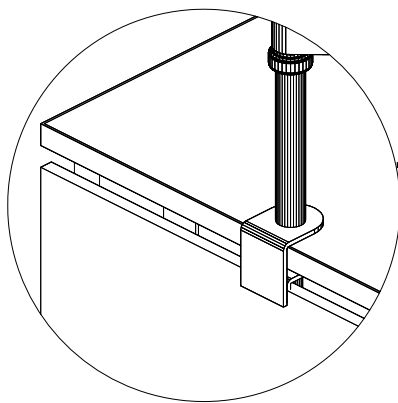
Specify modesty panels in any Knoll Core paint finish, solid, pattern or woodgrain laminate up to 60"W. Specify bracket color in any Knoll Core paint finish.



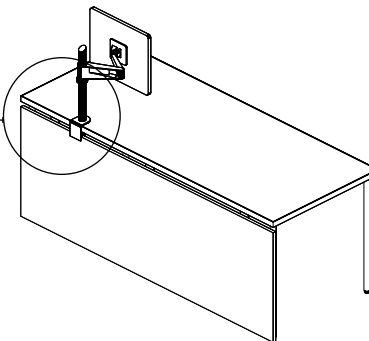
Simple Table with Partial Height Modesty Panel



Simple Table with Full Height Modesty Panel

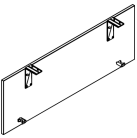


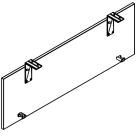
Sapper Monitor Arm Desk Clamp with Modesty Panel Cord Passage



Simple Table with Full Height Modesty Panel with Cord Passage

Modesty Panels for Simple Tables  
*Half Height*  
*Painted, Laminate or Veneer*

description	type	w	d	h	pattern no.	Painted (P)	Laminate (L)	V1 (V)	V2 (V)	V3 (V)
 Modesty Panel for Simple Tables, Half Height	For 36" Wide Tops	36"	1 1/8"	16 7/8"	<b>YMPT1736()</b>	\$276.	\$301.	\$659.	\$757.	\$986.
	For 42" Wide Tops	42"	1 1/8"	16 7/8"	<b>YMPT1742()</b>	283.	308.	680.	782.	1,017.
	For 48" Wide Tops	48"	1 1/8"	16 7/8"	<b>YMPT1748()</b>	288.	331.	705.	813.	1,057.
	For 54" Wide Tops	54"	1 1/8"	16 7/8"	<b>YMPT1754()</b>	295.	338.	733.	842.	1,095.
	For 60" Wide Tops	60"	1 1/8"	16 7/8"	<b>YMPT1760()</b>	347.	432.	787.	903.	1,173.
	For 66" Wide Tops	66"	1 1/8"	16 7/8"	<b>YMPT1766()</b>	390.	476.	806.	927.	1,207.
	For 72" Wide Tops	72"	1 1/8"	16 7/8"	<b>YMPT1772()</b>	396.	483.	829.	953.	1,239.
	For 78" Wide Tops	78"	1 1/8"	16 7/8"	<b>YMPT1778()</b>	403.	488.	860.	990.	1,286.
	For 84" Wide Tops	84"	1 1/8"	16 7/8"	<b>YMPT1784()</b>	408.	494.	881.	1,014.	1,317.

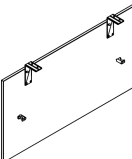
 Modesty Panel for Simple Tables, Half Height with Cord Passage	For 36" Wide Tops	36"	1 1/8"	15 7/8"	<b>YMPT1636()</b>	276.	301.	659.	757.	986.
	For 42" Wide Tops	42"	1 1/8"	15 7/8"	<b>YMPT1642()</b>	283.	308.	680.	782.	1,017.
	For 48" Wide Tops	48"	1 1/8"	15 7/8"	<b>YMPT1648()</b>	288.	331.	705.	813.	1,057.
	For 54" Wide Tops	54"	1 1/8"	15 7/8"	<b>YMPT1654()</b>	295.	338.	733.	842.	1,095.
	For 60" Wide Tops	60"	1 1/8"	15 7/8"	<b>YMPT1660()</b>	347.	432.	787.	903.	1,173.
	For 66" Wide Tops	66"	1 1/8"	15 7/8"	<b>YMPT1666()</b>	390.	476.	806.	927.	1,207.
	For 72" Wide Tops	72"	1 1/8"	15 7/8"	<b>YMPT1672()</b>	396.	483.	829.	953.	1,239.
	For 78" Wide Tops	78"	1 1/8"	15 7/8"	<b>YMPT1678()</b>	403.	488.	860.	990.	1,286.
	For 84" Wide Tops	84"	1 1/8"	15 7/8"	<b>YMPT1684()</b>	408.	494.	881.	1,014.	1,317.

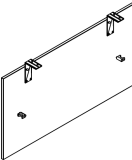
Ordering Information	Order Code	Included With	Options
<b>Modesty Panels for Simple Tables</b> 1. Pattern Number 2. Surface Finish 3. Bracket Paint Finish	<b>Modesty Panels for Simple Tables</b> <i>Example:</i> YMPT1748P, 118T, 118T <b>YMPT</b> Modesty Panel Simple Table <hr/> <b>17</b> Height <hr/> <b>48</b> Width <hr/> <b>P</b> Paint <hr/> <b>118T</b> Bright White Paint <hr/> <b>118T</b> Bright White Paint	<b>Modesty Panels for Simple Tables</b> Attachment brackets Hardware	<b>Modesty Panels for Simple Tables</b> <b>Finish Options:</b> (P)=Painted (L)=Laminate (V)=Veneer

# Modesty Panels for Simple Tables

## Full Height

### Painted, Laminate or Veneer



description	type	w	d	h	pattern no.	Painted (P)	Laminate (L)	V1 (V)	V2 (V)	V3 (V)
	For 36" Wide Tops	36"	1 1/8"	26 7/8"	<b>YMPT2736( )</b>	\$297.	\$374.	\$736.	\$847.	\$1,100.
	For 42" Wide Tops	42"	1 1/8"	26 7/8"	<b>YMPT2742( )</b>	307.	385.	766.	882.	1,147.
	For 48" Wide Tops	48"	1 1/8"	26 7/8"	<b>YMPT2748( )</b>	318.	392.	806.	930.	1,208.
	For 54" Wide Tops	54"	1 1/8"	26 7/8"	<b>YMPT2754( )</b>	326.	401.	838.	964.	1,255.
	For 60" Wide Tops	60"	1 1/8"	26 7/8"	<b>YMPT2760( )</b>	383.	541.	909.	1,048.	1,362.
	For 66" Wide Tops	66"	1 1/8"	26 7/8"	<b>YMPT2766( )</b>	428.	588.	944.	1,085.	1,411.
	For 72" Wide Tops	72"	1 1/8"	26 7/8"	<b>YMPT2772( )</b>	438.	596.	973.	1,121.	1,456.
	For 78" Wide Tops	78"	1 1/8"	26 7/8"	<b>YMPT2778( )</b>	448.	606.	1,015.	1,166.	1,517.
	For 84" Wide Tops	84"	1 1/8"	26 7/8"	<b>YMPT2784( )</b>	458.	615.	1,046.	1,203.	1,563.

	For 36" Wide Tops	36"	1 1/8"	26 1/2"	<b>YMPT2636( )</b>	297.	374.	736.	847.	1,100.
	For 42" Wide Tops	42"	1 1/8"	26 7/8"	<b>YMPT2642( )</b>	307.	385.	766.	882.	1,147.
	For 48" Wide Tops	48"	1 1/8"	26 7/8"	<b>YMPT2648( )</b>	318.	392.	806.	930.	1,208.
	For 54" Wide Tops	54"	1 1/8"	26 7/8"	<b>YMPT2654( )</b>	326.	401.	838.	964.	1,255.
	For 60" Wide Tops	60"	1 1/8"	26 7/8"	<b>YMPT2660( )</b>	383.	541.	909.	1,048.	1,362.
	For 66" Wide Tops	66"	1 1/8"	26 7/8"	<b>YMPT2666( )</b>	428.	588.	944.	1,085.	1,411.
	For 72" Wide Tops	72"	1 1/8"	26 7/8"	<b>YMPT2672( )</b>	438.	596.	973.	1,121.	1,456.
	For 78" Wide Tops	78"	1 1/8"	26 7/8"	<b>YMPT2678( )</b>	448.	606.	1,015.	1,166.	1,517.
	For 84" Wide Tops	84"	1 1/8"	26 7/8"	<b>YMPT2684( )</b>	458.	615.	1,046.	1,203.	1,563.

Antenna Simple Tables

Ordering Information	Order Code	Included With	Options
<b>Modesty Panels for Simple Tables</b> 1. Pattern Number 2. Surface Finish 3. Bracket Paint Finish	<b>Modesty Panels for Simple Tables</b> <i>Example:</i> YMPT1748P, 118T, 118T <b>YMPT</b> Modesty Panel Simple Table <hr/> <b>17</b> Height <hr/> <b>48</b> Width <hr/> <b>P</b> Paint <hr/> <b>118T</b> Bright White Paint <hr/> <b>118T</b> Bright White Paint	<b>Modesty Panels for Simple Tables</b> Attachment brackets Hardware	<b>Modesty Panels for Simple Tables</b> <b>Finish Options:</b> (P)=Painted (L)=Laminate (V)=Veneer

# Antenna Simple Table Tops 18" and 24" Deep Rectangular

description	w	d	h	pattern no.	Laminate (L)	M/V1 (V)	V2 (V)	V3 (V)
Antenna Simple Table Tops, 18" Deep Rectangular 	36"	18"	1 1/4"	<b>YTSS3618N(L/V)</b>	\$223.	\$466.	\$535.	\$719.
	42"	18"	1 1/4"	<b>YTSS4218N(L/V)</b>	258.	491.	564.	756.
	48"	18"	1 1/4"	<b>YTSS4818N(L/V)</b>	285.	510.	585.	787.
	54"	18"	1 1/4"	<b>YTSS5418N(L/V)</b>	302.	534.	615.	824.
	60"	18"	1 1/4"	<b>YTSS6018N(L/V)</b>	328.	559.	642.	862.
	66"	18"	1 1/4"	<b>YTSS6618N(L/V)</b>	352.	583.	669.	900.
	72"	18"	1 1/4"	<b>YTSS7218N(L/V)</b>	371.	608.	697.	938.
	78"	18"	1 1/4"	<b>YTSS7818N(L/V)</b>	399.	630.	725.	974.
	84"	18"	1 1/4"	<b>YTSS8418N(L/V)</b>	418.	662.	758.	1,022.
Antenna Simple Table Tops, 24" Deep Rectangular 	36"	24"	1 1/4"	<b>YTSS3624N(L/V)</b>	256.	502.	579.	777.
	42"	24"	1 1/4"	<b>YTSS4224N(L/V)</b>	290.	529.	607.	814.
	48"	24"	1 1/4"	<b>YTSS4824N(L/V)</b>	324.	551.	632.	852.
	54"	24"	1 1/4"	<b>YTSS5424N(L/V)</b>	350.	588.	675.	908.
	60"	24"	1 1/4"	<b>YTSS6024N(L/V)</b>	377.	625.	718.	965.
	66"	24"	1 1/4"	<b>YTSS6624N(L/V)</b>	407.	651.	746.	1,003.
	72"	24"	1 1/4"	<b>YTSS7224N(L/V)</b>	422.	674.	775.	1,041.
	78"	24"	1 1/4"	<b>YTSS7824N(L/V)</b>	455.	704.	809.	1,090.
	84"	24"	1 1/4"	<b>YTSS8424N(L/V)</b>	481.	737.	843.	1,136.

**Ordering Information**

**Antenna Simple Table Tops**

1. Pattern Number
2. Grommet / no grommet
3. Top Finish Type
4. Top Finish
5. Edge Finish  
(for laminate tops only)
6. Grommet finish (paint)

**Order Code**

**Antenna Simple Table Tops**

*Example:* **YTSS6024NL, 118, 118**

**YTSS** Antenna Simple Table  
Top

**60** Width

**24** Depth

**N** No Grommet

**L** Laminate

**118** Bright White Laminate

**118** Bright White Edge

**Included With**

**Antenna Simple Table Tops**

Simple Table Top with inserts

**Options**

**Antenna Simple Table Tops**

(N) No grommet  
(G) Grommet

For Grommets, add \$50 for rectangular tops.


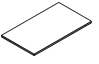
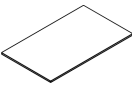
**Top Finish Options:**

(L) = Laminate  
(M) = Laminate top with wood edge  
(V) = Veneer

Top may be specified in any Knoll core laminate or veneer.

# Antenna Simple Table Tops

## 27", 30" and 36"D tops

description	w	d	h	pattern no.	Laminate (L)	M/V1 (V)	V2 (V)	V3 (V)
Antenna Simple Table Tops, 27" Deep Rectangular 	36"	27"	1 1/4"	<b>YTSS3627N(L/V)</b>	\$285.	\$529.	\$607.	\$814.
	42"	27"	1 1/4"	<b>YTSS4227N(L/V)</b>	318.	551.	632.	852.
	48"	27"	1 1/4"	<b>YTSS4827N(L/V)</b>	350.	583.	669.	900.
	54"	27"	1 1/4"	<b>YTSS5427N(L/V)</b>	388.	620.	711.	955.
	60"	27"	1 1/4"	<b>YTSS6027N(L/V)</b>	421.	656.	752.	1,012.
	66"	27"	1 1/4"	<b>YTSS6627N(L/V)</b>	462.	674.	775.	1,041.
	72"	27"	1 1/4"	<b>YTSS7227N(L/V)</b>	483.	698.	803.	1,078.
	78"	27"	1 1/4"	<b>YTSS7827N(L/V)</b>	515.	729.	837.	1,126.
	84"	27"	1 1/4"	<b>YTSS8427N(L/V)</b>	545.	758.	871.	1,174.
Antenna Simple Table Tops, 30" Deep Rectangular 	36"	30"	1 1/4"	<b>YTSS3630N(L/V)</b>	314.	559.	642.	862.
	42"	30"	1 1/4"	<b>YTSS4230N(L/V)</b>	341.	578.	662.	889.
	48"	30"	1 1/4"	<b>YTSS4830N(L/V)</b>	377.	620.	711.	955.
	54"	30"	1 1/4"	<b>YTSS5430N(L/V)</b>	426.	656.	752.	1,012.
	60"	30"	1 1/4"	<b>YTSS6030N(L/V)</b>	468.	693.	794.	1,069.
	66"	30"	1 1/4"	<b>YTSS6630N(L/V)</b>	522.	704.	809.	1,090.
	72"	30"	1 1/4"	<b>YTSS7230N(L/V)</b>	539.	730.	837.	1,126.
	78"	30"	1 1/4"	<b>YTSS7830N(L/V)</b>	577.	758.	871.	1,174.
	84"	30"	1 1/4"	<b>YTSS8430N(L/V)</b>	612.	790.	907.	1,221.
Antenna Simple Table Tops, 36" Deep Rectangular 	36"	36"	1 1/4"	<b>YTSS3636N(L/V)</b>	343.	594.	682.	917.
	42"	36"	1 1/4"	<b>YTSS4236N(L/V)</b>	374.	630.	725.	974.
	48"	36"	1 1/4"	<b>YTSS4836N(L/V)</b>	412.	668.	766.	1,030.
	54"	36"	1 1/4"	<b>YTSS5436N(L/V)</b>	466.	704.	809.	1,090.
	60"	36"	1 1/4"	<b>YTSS6036N(L/V)</b>	515.	742.	851.	1,146.
	66"	36"	1 1/4"	<b>YTSS6636N(L/V)</b>	571.	779.	892.	1,201.
	72"	36"	1 1/4"	<b>YTSS7236N(L/V)</b>	592.	814.	935.	1,260.
	78"	36"	1 1/4"	<b>YTSS7836N(L/V)</b>	630.	851.	976.	1,315.
	84"	36"	1 1/4"	<b>YTSS8436N(L/V)</b>	671.	887.	1,018.	1,372.

Antenna Simple Tables

**Ordering Information**

**Antenna Simple Table Tops**

1. Pattern Number
2. Grommet / no grommet
3. Top Finish Type
4. Top Finish
5. Edge Finish  
(for laminate tops only)
6. Grommet finish (paint)

**Order Code**

<b>Antenna Simple Table Tops</b>	
<i>Example:</i> <b>YTSS6024NL, 118, 118</b>	
<b>YTSS</b>	Antenna Simple Table Top
<b>60</b>	Width
<b>24</b>	Depth
<b>N</b>	No Grommet
<b>L</b>	Laminate
<b>118</b>	Bright White Laminate
<b>118</b>	Bright White Edge

**Included With**

**Antenna Simple Table Tops**  
Simple Table Top with inserts

**Options**

**Antenna Simple Table Tops**  
(N) No grommet  
(G) Grommet

For Grommets, add \$50 for rectangular tops.

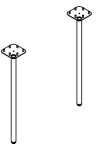
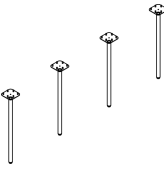

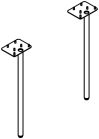
**Top Finish Options:**

(L) = Laminate  
(M) = Laminate top with wood edge  
(V) = Veneer

Top may be specified in any Knoll core laminate or veneer.

# Antenna Simple Table Legs

## Legs Kit of 2, Legs Kit of 4 and Shared Legs

description	type	w	d	h	pattern no.	list
 Antenna Simple Table Legs, (Pair)	Desk height high range	5"	5"	27 1/4"	<b>YBSLDH2</b>	\$399.
	Desk height low range	5"	5"	24 1/2"	<b>YBSLDL2</b>	392.
	Desk height with casters	5"	5"	27 1/4"	<b>YBSLDC2</b>	429.
 Antenna Simple Table Legs, (Kit of 4)	Desk height high range	5"	5"	27 1/4"	<b>YBSLDH4</b>	796.
	Desk height low range	5"	5"	24 1/2"	<b>YBSLDL4</b>	786.
	Desk height with casters	5"	5"	27 1/4"	<b>YBSLDC4</b>	860.
 Antenna Simple Table Shared Leg, (Individual)	Desk height high range	5"	5"	27 1/4"	<b>YBSSLDH1</b>	245.
	Desk height low range	5"	5"	24 1/2"	<b>YBSSLDL1</b>	240.
	Desk height with casters	5"	5"	27 1/4"	<b>YBSSLDC1</b>	260.
 Antenna Simple Table Shared Leg, (Pair)	Desk height high range	5"	5"	27 1/4"	<b>YBSSLDH2</b>	488.
	Desk height low range	5"	5"	24 1/2"	<b>YBSSLDL2</b>	477.
	Desk height with casters	5"	5"	27 1/4"	<b>YBSSLDC2</b>	521.

Ordering Information	Order Code	Included With	Options
<b>Antenna Simple Table Legs</b> 1. Pattern Number 2. Leg Paint Finish	<b>Antenna Simple Table Legs</b> <i>Example:</i> <b>YBSLDH2</b> <b>YBSL</b> Antenna Simple Table Leg <b>DH</b> Desk Height High Range <b>2</b> Pair	<b>Antenna Simple Table Legs</b> Simple Table Legs with glides or casters Attachment hardware	<b>Antenna Simple Table Legs</b>

# Antenna Simple Table Power and Accessories

## Linking Bracket, Wire management, Power and Accessories

Antenna Workspaces

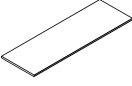
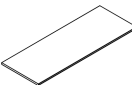
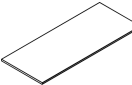
Antenna Simple Tables

description	type	w	d	h	pattern no.	list
Antenna Simple Table Linking Bracket, (Pair)	For Linking two Simple Tables	9.5"	1 1/8"	3/8"	<b>YKLB</b>	\$80.
Antenna Simple Table Caster Kit (Pair)	Pair of locking casters			2 1/2"	<b>YBSCN</b>	69.
	Pair of non-locking casters			2 1/2"	<b>YBSCN</b>	69.
Antenna Simple Table Stiffener	For 36" wide Simple Table	27"	2 3/4"	1 3/4"	<b>YTSS36</b>	149.
	For 42" wide Simple Table	33"	2 3/4"	1 3/4"	<b>YTSS42</b>	159.
	For 48" wide Simple Table	39"	2 3/4"	1 3/4"	<b>YTSS48</b>	170.
	For 54" wide Simple Table	45"	2 3/4"	1 3/4"	<b>YTSS54</b>	180.
	For 60" wide Simple Table	51"	2 3/4"	1 3/4"	<b>YTSS60</b>	192.
	For 66" wide Simple Table	57"	2 3/4"	1 3/4"	<b>YTSS66</b>	202.
	For 72" wide Simple Table	63"	2 3/4"	1 3/4"	<b>YTSS72</b>	212.
	For 78" wide Simple Table	69"	2 3/4"	1 3/4"	<b>YTSS78</b>	240.
	For 84" wide Simple Table	75"	2 3/4"	1 3/4"	<b>YTSS84</b>	250.
Antenna Simple Table Vertical Wire Manager	For Antenna Simple Table desk height high range and desk height with casters	1"	3/4"	25 1/2"	<b>YR1SVWMH</b>	32.
	For Antenna Simple Table desk height low range and desk height with casters	1"	3/4"	22 1/2"	<b>YR1SVWML</b>	32.
Antenna Simple Table Power Strip	Mounts to Antenna Simple Table Stiffener	24"	1 1/2"	1 1/2"	<b>YR1SPS24</b>	361.
Antenna Simple Table Cable Clip	Mounts to Antenna Simple Table Stiffener	1 1/4"	1/2"	1 1/4"	<b>YR1SCC10</b>	19.
Antenna Simple Table Communications Mounting Box	Mounts to underside of worksurface				<b>YR1SCMB</b>	44.

Ordering Information	Order Code	Included With	Options
Antenna Simple Table Linking Bracket	Antenna Simple Table Linking Bracket	Antenna Simple Table Linking Bracket	Antenna Simple Table Linking Bracket
1. Pattern Number	<i>Example:</i> <b>YKLB</b>	Linking bracket (pair)	
	<b>YK</b> Antenna Simple Table Kit	Attachment hardware	
	<b>LB</b> Linking Bracket	Storage mount	



# Antenna Telescope Tops for Adjustable Dual Tables 24", 27" and 30" Deep Rectangular

description	type	w	d	h	pattern no.	Laminate (L)	M/V1 (V)	V2 (V)	V3 (V)
Antenna Telescope Adjustable Tops, 24" Deep Rectangular 	For use with Telescope Adjustable Dual Tables	47"	24"	1 1/4"	<b>YTT4724( )</b>	\$309.	\$533.	\$613.	\$829.
	For use with Telescope Adjustable Dual Tables	53"	24"	1 1/4"	<b>YTT5324( )</b>	335.	568.	655.	884.
	For use with Telescope Adjustable Dual Tables	59"	24"	1 1/4"	<b>YTT5924( )</b>	360.	605.	696.	941.
	For use with Telescope Adjustable Dual Tables	65"	24"	1 1/4"	<b>YTT6524( )</b>	390.	630.	725.	977.
	For use with Telescope Adjustable Dual Tables	71"	24"	1 1/4"	<b>YTT7124( )</b>	406.	654.	753.	1,015.
	For use with Telescope Adjustable Dual Tables	77"	24"	1 1/4"	<b>YTT7724( )</b>	437.	684.	788.	1,064.
	For use with Telescope Adjustable Dual Tables	83"	24"	1 1/4"	<b>YTT8324( )</b>	463.	716.	821.	1,109.
Antenna Telescope Adjustable Tops, 27" Deep Rectangular 	For use with Telescope Adjustable Dual Tables	47"	27"	1 1/4"	<b>YTT4727( )</b>	335.	563.	649.	876.
	For use with Telescope Adjustable Dual Tables	53"	27"	1 1/4"	<b>YTT5327( )</b>	373.	600.	690.	931.
	For use with Telescope Adjustable Dual Tables	59"	27"	1 1/4"	<b>YTT5927( )</b>	405.	635.	731.	987.
	For use with Telescope Adjustable Dual Tables	65"	27"	1 1/4"	<b>YTT6527( )</b>	445.	654.	753.	1,015.
	For use with Telescope Adjustable Dual Tables	71"	27"	1 1/4"	<b>YTT7127( )</b>	465.	677.	781.	1,052.
	For use with Telescope Adjustable Dual Tables	77"	27"	1 1/4"	<b>YTT7727( )</b>	496.	706.	814.	1,099.
	For use with Telescope Adjustable Dual Tables	83"	27"	1 1/4"	<b>YTT8327( )</b>	527.	737.	848.	1,146.
Antenna Telescope Adjustable Tops, 30" Deep Rectangular 	For use with Telescope Adjustable Dual Tables	47"	30"	1 1/4"	<b>YTT4730( )</b>	360.	600.	690.	931.
	For use with Telescope Adjustable Dual Tables	53"	30"	1 1/4"	<b>YTT5330( )</b>	410.	635.	731.	987.
	For use with Telescope Adjustable Dual Tables	59"	30"	1 1/4"	<b>YTT5930( )</b>	451.	672.	771.	1,042.
	For use with Telescope Adjustable Dual Tables	65"	30"	1 1/4"	<b>YTT6530( )</b>	502.	684.	788.	1,064.
	For use with Telescope Adjustable Dual Tables	71"	30"	1 1/4"	<b>YTT7130( )</b>	521.	707.	814.	1,099.
	For use with Telescope Adjustable Dual Tables	77"	30"	1 1/4"	<b>YTT7730( )</b>	557.	737.	848.	1,146.
	For use with Telescope Adjustable Dual Tables	83"	30"	1 1/4"	<b>YTT8330( )</b>	592.	767.	883.	1,193.

## Ordering Information

### Antenna Telescope Tops

1. Pattern Number
2. Top Finish Type
3. Top Finish
4. Edge Finish  
(for laminate tops only)

## Order Code

### Antenna Telescope Tops

*Example:* **YTT5930L, 118, 118**

<b>YTT</b>	Antenna Telescope Top
<b>59</b>	Width
<b>30</b>	Depth
<b>L</b>	Laminate
<b>118</b>	Bright White Laminate
<b>118</b>	Bright White Edge

## Included With

### Antenna Telescope Tops


## Options


### Antenna Telescope Tops


#### Top Finish Options:

Add an (L) for laminate, (M) for laminate with wood edge or (V) for veneer suffix to pattern number.

# Antenna Telescope Tops for Adjustable 120° Triads 24", 27" and 30" Deep

description	type	w	d	h	pattern no.	Laminate (L)	M/V1 (V)	V2 (V)	V3 (V)
Antenna Telescope Adjustable Tops, 24" Deep 120° 	For use with Telescope 120° Bases	47"	24"		<b>YTTVC4724( )</b>	\$828.	\$1,826.	\$2,100.	\$2,730.
	For use with Telescope 120° Bases	53"	24"		<b>YTTVC5324( )</b>	883.	1,930.	2,221.	2,886.
	For use with Telescope 120° Bases	59"	24"		<b>YTTVC5924( )</b>	1,021.	n/a	n/a	n/a

Antenna Telescope Adjustable Tops, 27" Deep 120° 	For use with Telescope 120° Bases	47"	27"		<b>YTTVC4727( )</b>	840.	1,856.	2,136.	2,776.
	For use with Telescope 120° Bases	53"	27"		<b>YTTVC5327( )</b>	978.	n/a	n/a	n/a
	For use with Telescope 120° Bases	59"	27"		<b>YTTVC5927( )</b>	1,037.	n/a	n/a	n/a

Antenna Telescope Adjustable Tops, 30" Deep 120° 	For use with Telescope 120° Bases	47"	30"		<b>YTTVC4730( )</b>	854.	1,886.	2,171.	2,822.
	For use with Telescope 120° Bases	53"	30"		<b>YTTVC5330( )</b>	1,054.	n/a	n/a	n/a
	For use with Telescope 120° Bases	59"	30"		<b>YTTVC5930( )</b>	1,073.	n/a	n/a	n/a

## Ordering Information

### Antenna Telescope 120° Triad

1. Pattern Number
2. Control Switch
3. Base Finish

## Order Code

### Antenna Telescope 120° Triad

*Example:* **YBTYESBN148, D, 118T**

<b>YBTY</b>	Antenna Telescope 120° Triad
<b>ES</b>	Standard Electric
<b>BN</b>	With Beam
<b>1</b>	1 Connection
<b>60</b>	Width
<b>D</b>	Digital Display
<b>118T</b>	Bright White Paint

## Included With

### Antenna Telescope 120° Triad

Columns  
Center Beam  
Dual Trays  
Rails  
Connecting Hardware

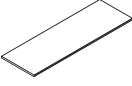
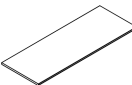
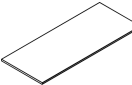
## Options

### Antenna Telescope 120° Triad

#### Control Switch Options:

(S) = Standard up/down control switch  
(D) = Digital Display with programmable settings. Add \$954 list for the digital display selection.

# Antenna Telescope Tops for Fixed Dual Tables 24", 27" and 30" Deep Rectangular

description	type	w	d	h	pattern no.	Laminate (L)	Mixed/V1 (M/V)	V2 (V)	V3 (V)
Antenna Telescope Fixed Tops, 24" Deep Rectangular 	For use with Telescope Fixed Dual Tables	48"	24"	1 1/4"	<b>YTT4824( )</b>	\$309.	\$533.	\$613.	\$829.
		54"	24"	1 1/4"	<b>YTT5424( )</b>	335.	568.	655.	884.
		60"	24"	1 1/4"	<b>YTT6024( )</b>	360.	605.	696.	941.
		66"	24"	1 1/4"	<b>YTT6624( )</b>	390.	630.	725.	977.
		72"	24"	1 1/4"	<b>YTT7224( )</b>	406.	654.	753.	1,015.
		78"	24"	1 1/4"	<b>YTT7824( )</b>	437.	684.	788.	1,064.
		84"	24"	1 1/4"	<b>YTT8424( )</b>	463.	716.	821.	1,109.
Antenna Telescope Fixed Tops, 27" Deep Rectangular 	For use with Telescope Fixed Dual Tables	48"	27"	1 1/4"	<b>YTT4827( )</b>	335.	563.	649.	876.
		54"	27"	1 1/4"	<b>YTT5427( )</b>	373.	600.	690.	931.
		60"	27"	1 1/4"	<b>YTT6027( )</b>	405.	635.	731.	987.
		66"	27"	1 1/4"	<b>YTT6627( )</b>	445.	654.	753.	1,015.
		72"	27"	1 1/4"	<b>YTT7227( )</b>	465.	677.	781.	1,052.
		78"	27"	1 1/4"	<b>YTT7827( )</b>	496.	707.	814.	1,099.
		84"	27"	1 1/4"	<b>YTT8427( )</b>	527.	737.	848.	1,146.
Antenna Telescope Fixed Tops, 30" Deep Rectangular 	For use with Telescope Fixed Dual Tables	48"	30"	1 1/4"	<b>YTT4830( )</b>	360.	600.	690.	931.
		54"	30"	1 1/4"	<b>YTT5430( )</b>	410.	635.	731.	987.
		60"	30"	1 1/4"	<b>YTT6030( )</b>	451.	672.	771.	1,042.
		66"	30"	1 1/4"	<b>YTT6630( )</b>	502.	684.	788.	1,064.
		72"	30"	1 1/4"	<b>YTT7230( )</b>	521.	707.	814.	1,099.
		78"	30"	1 1/4"	<b>YTT7830( )</b>	557.	737.	848.	1,146.
		84"	30"	1 1/4"	<b>YTT8430( )</b>	592.	767.	883.	1,193.

## Ordering Information

### Antenna Telescope Tops

1. Pattern Number
2. Top Finish Type
3. Top Finish
4. Edge Finish  
(for laminate tops only)

## Order Code

### Antenna Telescope Tops

*Example:* **YTT6030L, 118, 118**

<b>YTT</b>	Antenna Simple Table
<b>60</b>	Width
<b>30</b>	Depth
<b>L</b>	Laminate
<b>118</b>	Bright White Laminate
<b>118</b>	Bright White Edge

## Included With

### Antenna Telescope Tops

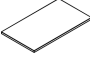


## Options

### Antenna Telescope Tops

#### Top Finish Options:

Add an (L) for laminate, (M) for laminate with wood edge or (V) for veneer suffix to pattern number.

# Antenna Telescope Return Tops for Dual Tables 24", 27" and 30" Deep Rectangular

description	type	w	d	h	pattern no.	Laminate (L)	M/V1 (V)	V2 (V)	V3 (V)
Antenna Telescope Return Tops, 24" Deep Rectangular 	For use with Telescope Return Bases	30"	24"	1 1/4"	<b>YTTR3024( )</b>	\$216.	\$463.	\$531.	\$719.
	For use with Telescope Return Bases	36"	24"	1 1/4"	<b>YTTR3624( )</b>	242.	485.	559.	755.
	For use with Telescope Return Bases	42"	24"	1 1/4"	<b>YTTR4224( )</b>	276.	511.	588.	792.
	For use with Telescope Return Bases	48"	24"	1 1/4"	<b>YTTR4824( )</b>	309.	533.	613.	829.
	For use with Telescope Return Bases	54"	24"	1 1/4"	<b>YTTR5424( )</b>	335.	568.	655.	884.
	For use with Telescope Return Bases	60"	24"	1 1/4"	<b>YTTR6024( )</b>	360.	605.	696.	941.
	For use with Telescope Return Bases	66"	24"	1 1/4"	<b>YTTR6624( )</b>	390.	630.	725.	977.
	For use with Telescope Return Bases	72"	24"	1 1/4"	<b>YTTR7224( )</b>	406.	654.	753.	1,015.
Antenna Telescope Return Tops, 27" Deep Rectangular 	For use with Telescope Return Bases	30"	27"	1 1/4"	<b>YTTR3027( )</b>	244.	480.	552.	745.
	For use with Telescope Return Bases	36"	27"	1 1/4"	<b>YTTR3627( )</b>	271.	511.	588.	792.
	For use with Telescope Return Bases	42"	27"	1 1/4"	<b>YTTR4227( )</b>	302.	533.	613.	829.
	For use with Telescope Return Bases	48"	27"	1 1/4"	<b>YTTR4827( )</b>	335.	563.	649.	876.
	For use with Telescope Return Bases	54"	27"	1 1/4"	<b>YTTR5427( )</b>	373.	600.	690.	931.
	For use with Telescope Return Bases	60"	27"	1 1/4"	<b>YTTR6027( )</b>	405.	635.	731.	987.
	For use with Telescope Return Bases	66"	27"	1 1/4"	<b>YTTR6627( )</b>	445.	654.	753.	1,015.
	For use with Telescope Return Bases	72"	27"	1 1/4"	<b>YTTR7227( )</b>	465.	677.	781.	1,052.
Antenna Telescope Return Tops, 30" Deep Rectangular 	For use with Telescope Return Bases	30"	30"	1 1/4"	<b>YTTR3030( )</b>	271.	504.	580.	783.
	For use with Telescope Return Bases	36"	30"	1 1/4"	<b>YTTR3630( )</b>	298.	541.	623.	838.
	For use with Telescope Return Bases	42"	30"	1 1/4"	<b>YTTR4230( )</b>	326.	558.	641.	866.
	For use with Telescope Return Bases	48"	30"	1 1/4"	<b>YTTR4830( )</b>	360.	600.	690.	931.
	For use with Telescope Return Bases	54"	30"	1 1/4"	<b>YTTR5430( )</b>	410.	635.	731.	987.
	For use with Telescope Return Bases	60"	30"	1 1/4"	<b>YTTR6030( )</b>	451.	672.	771.	1,042.
	For use with Telescope Return Bases	66"	30"	1 1/4"	<b>YTTR6630( )</b>	502.	684.	788.	1,064.
	For use with Telescope Return Bases	72"	30"	1 1/4"	<b>YTTR7230( )</b>	521.	707.	814.	1,099.

Antenna Telescope

Ordering Information	Order Code	Included With	Options
<b>Antenna Telescope Tops</b> 1. Pattern Number 2. Top Finish Type 3. Top Finish 4. Edge Finish (for laminate tops only)	<b>Antenna Telescope Tops</b>  <i>Example:</i> <b>YTTR5930L, 118, 118</b> <b>YTTR</b> Antenna Telescope Return Top <hr/> <b>59</b> Width <hr/> <b>30</b> Depth <hr/> <b>L</b> Laminate <hr/> <b>118</b> Bright White Laminate <hr/> <b>118</b> Bright White Edge	<b>Antenna Telescope Tops</b>	<b>Antenna Telescope Tops</b>  <b>Top Finish Options:</b> Add an (L) for laminate, (M) for laminate with wood edge or (V) for veneer suffix to pattern number.

# Antenna Telescope Dual Table Bases

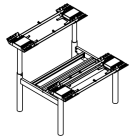
## Standard Electric

### With Beam and Dual Utility Trays

description	type	w	d	pattern no.	list
Telescope Base, Height Adjustable Standard Electric, with Beam and Dual Trays, Standalone	For use in standalone application	48"	45"	<b>YBTESBTS48</b>	\$8,238.
	For use in standalone application	54"	45"	<b>YBTESBTS54</b>	8,317.
	For use in standalone application	60"	45"	<b>YBTESBTS60</b>	8,369.
	For use in standalone application	66"	45"	<b>YBTESBTS66</b>	8,405.
	For use in standalone application	72"	45"	<b>YBTESBTS72</b>	8,427.
	For use in standalone application	78"	45"	<b>YBTESBTS78</b>	8,578.
	For use in standalone application	84"	45"	<b>YBTESBTS84</b>	8,850.



Telescope Base, Height Adjustable Standard Electric, with Beam and Dual Trays, End	For use in end application	48"	45"	<b>YBTESBTE48</b>	8,296.
	For use in end application	54"	45"	<b>YBTESBTE54</b>	8,374.
	For use in end application	60"	45"	<b>YBTESBTE60</b>	8,427.
	For use in end application	66"	45"	<b>YBTESBTE66</b>	8,463.
	For use in end application	72"	45"	<b>YBTESBTE72</b>	8,483.
	For use in end application	78"	45"	<b>YBTESBTE78</b>	8,636.
	For use in end application	84"	45"	<b>YBTESBTE84</b>	8,908.



Telescope Base, Height Adjustable Standard Electric, with Beam and Dual Trays, Intermediate	For use in intermediate application	48"	45"	<b>YBTESBTI48</b>	8,353.
	For use in intermediate application	54"	45"	<b>YBTESBTI54</b>	8,432.
	For use in intermediate application	60"	45"	<b>YBTESBTI60</b>	8,483.
	For use in intermediate application	66"	45"	<b>YBTESBTI66</b>	8,521.
	For use in intermediate application	72"	45"	<b>YBTESBTI72</b>	8,541.
	For use in intermediate application	78"	45"	<b>YBTESBTI78</b>	8,692.
	For use in intermediate application	84"	45"	<b>YBTESBTI84</b>	8,964.



#### Ordering Information

##### Antenna Telescope Dual Table Bases

1. Pattern Number
2. Control Switch
3. Base Paint Finish

#### Order Code

##### Antenna Telescope Dual Table Bases

*Example:* **YBTESBTE60, D, 118T**

<b>YBT</b>	Antenna Telescope Base
<b>ES</b>	Standard Electric
<b>BT</b>	With Beam and Trays
<b>E</b>	End position
<b>60</b>	Width
<b>D</b>	Digital Display
<b>118T</b>	Bright White Paint

#### Included With

##### Antenna Telescope Dual Table Bases

Columns  
Center beam  
Dual Trays  
Rails  
Connecting Hardware

#### Options

##### Antenna Telescope Dual Table Bases

##### Control Switch Options:

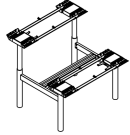
(S) = Standard up/down control switch.  
(D) = Digital Display with programmable setting. Add \$636 list for the digital display selection.  
(TR) = Toggle Switch, Red.  
(TG) = Toggle Switch, Grey. Add \$200 list for "Toggle Switch option".

# Antenna Telescope Dual Table Bases

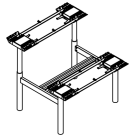
## Standard Electric

### With Beam Only

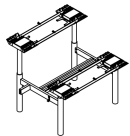
description	type	w	d	pattern no.	list
Telescope Base, Height Adjustable Standard Electric, with Beam, Standalone	For use in standalone application	48"	45"	<b>YBTESBNS48</b>	\$7,658.
	For use in standalone application	54"	45"	<b>YBTESBNS54</b>	7,700.
	For use in standalone application	60"	45"	<b>YBTESBNS60</b>	7,841.
	For use in standalone application	66"	45"	<b>YBTESBNS66</b>	7,851.
	For use in standalone application	72"	45"	<b>YBTESBNS72</b>	7,867.
	For use in standalone application	78"	45"	<b>YBTESBNS78</b>	7,899.
	For use in standalone application	84"	45"	<b>YBTESBNS84</b>	8,118.



Telescope Base, Height Adjustable Standard Electric, with Beam, End	For use in end application	48"	45"	<b>YBTESBNE48</b>	7,715.
	For use in end application	54"	45"	<b>YBTESBNE54</b>	7,758.
	For use in end application	60"	45"	<b>YBTESBNE60</b>	7,899.
	For use in end application	66"	45"	<b>YBTESBNE66</b>	7,909.
	For use in end application	72"	45"	<b>YBTESBNE72</b>	7,924.
	For use in end application	78"	45"	<b>YBTESBNE78</b>	7,956.
	For use in end application	84"	45"	<b>YBTESBNE84</b>	8,176.



Telescope Base, Height Adjustable Standard Electric, with Beam, Intermediate	For use in intermediate application	48"	45"	<b>YBTESBNI48</b>	7,773.
	For use in intermediate application	54"	45"	<b>YBTESBNI54</b>	7,814.
	For use in intermediate application	60"	45"	<b>YBTESBNI60</b>	7,956.
	For use in intermediate application	66"	45"	<b>YBTESBNI66</b>	7,967.
	For use in intermediate application	72"	45"	<b>YBTESBNI72</b>	7,982.
	For use in intermediate application	78"	45"	<b>YBTESBNI78</b>	8,013.
	For use in intermediate application	84"	45"	<b>YBTESBNI84</b>	8,233.



#### Ordering Information

##### Antenna Telescope Dual Table Bases

1. Pattern Number
2. Control Switch
3. Base Paint Finish

#### Order Code

##### Antenna Telescope Dual Table Bases

*Example:* **YBTESBNE60, D, 118T**

<b>YBT</b>	Antenna Telescope Base
<b>ES</b>	Standard Electric
<b>BN</b>	With Beam Only
<b>E</b>	End position
<b>60</b>	Width
<b>D</b>	Digital Display
<b>118T</b>	Bright White Paint

#### Included With

##### Antenna Telescope Dual Table Bases

Columns  
Center beam  
Rails  
Connecting Hardware

#### Options

##### Antenna Telescope Dual Table Bases

##### Control Switch Options:

(S) = Standard up/down control switch.  
(D) = Digital Display with programmable setting. Add \$636 list for the digital display selection.  
(TR) = Toggle Switch, Red.  
(TG) = Toggle Switch, Grey. Add \$200 list for "Toggle Switch option".

# Antenna Telescope Dual Table Bases

## Standard Electric

### Without Beam and Dual Utility Trays

description	type	w	d	pattern no.	list
Telescope Base, Height Adjustable Standard Electric, without Beam and Tray, Standalone	For use in standalone application	48"	45"	<b>YBTESNNS48</b>	\$7,391.
	For use in standalone application	54"	45"	<b>YBTESNNS54</b>	7,433.
	For use in standalone application	60"	45"	<b>YBTESNNS60</b>	7,469.
	For use in standalone application	66"	45"	<b>YBTESNNS66</b>	7,475.
	For use in standalone application	72"	45"	<b>YBTESNNS72</b>	7,491.
	For use in standalone application	78"	45"	<b>YBTESNNS78</b>	7,522.
	For use in standalone application	84"	45"	<b>YBTESNNS84</b>	7,746.



#### Ordering Information

##### Antenna Telescope Dual Table Bases

1. Pattern Number
2. Control Switch
3. Base Paint Finish

#### Order Code

##### Antenna Telescope Dual Table Bases

*Example:* **YBTESNNE60, D, 118T**

<b>YBT</b>	Antenna Telescope Base
<b>ES</b>	Standard Electric
<b>NN</b>	Without Beam and Trays
<b>E</b>	End position
<b>60</b>	Width
<b>D</b>	Digital Display
<b>118T</b>	Bright White Paint

#### Included With

##### Antenna Telescope Dual Table Bases

Columns  
 Rails  
 Connecting Hardware

#### Options

##### Antenna Telescope Dual Table Bases

##### Control Switch Options:

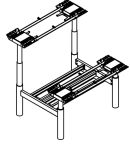
(S) = Standard up/down control switch.  
 (D) = Digital Display with programmable setting. Add \$636 list for the digital display selection.  
 (TR) = Toggle Switch, Red.  
 (TG) = Toggle Switch, Grey. Add \$200 list for "Toggle Switch option".

# Antenna Telescope Dual Table Bases

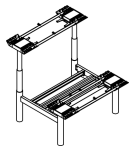
## Extended Electric

### With Beam and Dual Utility Trays

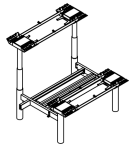
description	type	w	d	pattern no.	list
Telescope Base, Height Adjustable Extended Electric, with Beam and Dual Trays, Standalone	For use in standalone application	48"	45"	<b>YBTEXBTS48</b>	\$9,283.
	For use in standalone application	54"	45"	<b>YBTEXBTS54</b>	9,362.
	For use in standalone application	60"	45"	<b>YBTEXBTS60</b>	9,414.
	For use in standalone application	66"	45"	<b>YBTEXBTS66</b>	9,451.
	For use in standalone application	72"	45"	<b>YBTEXBTS72</b>	9,472.
	For use in standalone application	78"	45"	<b>YBTEXBTS78</b>	9,623.
	For use in standalone application	84"	45"	<b>YBTEXBTS84</b>	9,895.



Telescope Base, Height Adjustable Extended Electric, with Beam and Dual Trays, End	For use in end application	48"	45"	<b>YBTEXBTE48</b>	9,341.
	For use in end application	54"	45"	<b>YBTEXBTE54</b>	9,419.
	For use in end application	60"	45"	<b>YBTEXBTE60</b>	9,472.
	For use in end application	66"	45"	<b>YBTEXBTE66</b>	9,509.
	For use in end application	72"	45"	<b>YBTEXBTE72</b>	9,529.
	For use in end application	78"	45"	<b>YBTEXBTE78</b>	9,681.
	For use in end application	84"	45"	<b>YBTEXBTE84</b>	9,953.



Telescope Base, Height Adjustable Extended Electric, with Beam and Dual Trays, Intermediate	For use in intermediate application	48"	45"	<b>YBTEXBTI48</b>	9,399.
	For use in intermediate application	54"	45"	<b>YBTEXBTI54</b>	9,477.
	For use in intermediate application	60"	45"	<b>YBTEXBTI60</b>	9,529.
	For use in intermediate application	66"	45"	<b>YBTEXBTI66</b>	9,566.
	For use in intermediate application	72"	45"	<b>YBTEXBTI72</b>	9,587.
	For use in intermediate application	78"	45"	<b>YBTEXBTI78</b>	9,738.
	For use in intermediate application	84"	45"	<b>YBTEXBTI84</b>	10,010.



#### Ordering Information

##### Antenna Telescope Dual Table Bases

1. Pattern Number
2. Control Switch
3. Base Paint Finish

#### Order Code

##### Antenna Telescope Dual Table Bases

*Example:* **YBTEXBTE60, D, 118T**

<b>YBT</b>	Antenna Telescope Base
<b>EX</b>	Extended Electric
<b>BT</b>	With Beam and Trays
<b>E</b>	End position
<b>60</b>	Width
<b>D</b>	Digital Display
<b>118T</b>	Bright White Paint

#### Included With

##### Antenna Telescope Dual Table Bases

Columns  
Center beam  
Dual Trays  
Rails  
Connecting Hardware

#### Options

##### Antenna Telescope Dual Table Bases

##### Control Switch Options:

(S) = Standard up/down control switch.  
(D) = Digital Display with programmable setting. Add \$636 list for the digital display selection.  
(TR) = Toggle Switch, Red.  
(TG) = Toggle Switch, Grey. Add \$200 list for "Toggle Switch option".

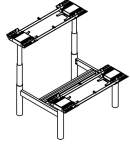


# Antenna Telescope Dual Table Bases

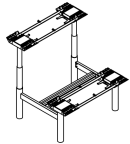
## *Extended Electric*

### *With Beam Only*

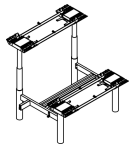
description	type	w	d	pattern no.	list
Telescope Base, Height Adjustable Extended Electric, with Beam, Standalone	For use in standalone application	48"	45"	<b>YBTEXBNS48</b>	\$8,704.
	For use in standalone application	54"	45"	<b>YBTEXBNS54</b>	8,745.
	For use in standalone application	60"	45"	<b>YBTEXBNS60</b>	8,886.
	For use in standalone application	66"	45"	<b>YBTEXBNS66</b>	8,896.
	For use in standalone application	72"	45"	<b>YBTEXBNS72</b>	8,913.
	For use in standalone application	78"	45"	<b>YBTEXBNS78</b>	8,944.
	For use in standalone application	84"	45"	<b>YBTEXBNS84</b>	9,163.



Telescope Base, Height Adjustable Extended Electric, with Beam, End	For use in end application	48"	45"	<b>YBTEXBNE48</b>	8,760.
	For use in end application	54"	45"	<b>YBTEXBNE54</b>	8,803.
	For use in end application	60"	45"	<b>YBTEXBNE60</b>	8,944.
	For use in end application	66"	45"	<b>YBTEXBNE66</b>	8,954.
	For use in end application	72"	45"	<b>YBTEXBNE72</b>	8,970.
	For use in end application	78"	45"	<b>YBTEXBNE78</b>	9,001.
	For use in end application	84"	45"	<b>YBTEXBNE84</b>	9,221.



Telescope Base, Height Adjustable Extended Electric, with Beam, Intermediate	For use in intermediate application	48"	45"	<b>YBTEXBNI48</b>	8,818.
	For use in intermediate application	54"	45"	<b>YBTEXBNI54</b>	8,860.
	For use in intermediate application	60"	45"	<b>YBTEXBNI60</b>	9,001.
	For use in intermediate application	66"	45"	<b>YBTEXBNI66</b>	9,012.
	For use in intermediate application	72"	45"	<b>YBTEXBNI72</b>	9,027.
	For use in intermediate application	78"	45"	<b>YBTEXBNI78</b>	9,059.
	For use in intermediate application	84"	45"	<b>YBTEXBNI84</b>	9,278.



#### Ordering Information

##### Antenna Telescope Dual Table Bases

1. Pattern Number
2. Control Switch
3. Base Paint Finish

#### Order Code

##### Antenna Telescope Dual Table Bases

*Example:* **YBTEXBNE60, D, 118T**

<b>YBT</b>	Antenna Telescope Base
<b>EX</b>	Extended Electric
<b>BN</b>	With Beam Only
<b>E</b>	End position
<b>60</b>	Width
<b>D</b>	Digital Display
<b>118T</b>	Bright White Paint

#### Included With

##### Antenna Telescope Dual Table Bases

Columns  
Center beam  
Rails  
Connecting Hardware

#### Options

##### Antenna Telescope Dual Table Bases

#### Control Switch Options:

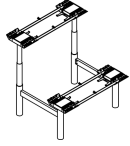
(S) = Standard up/down control switch.  
(D) = Digital Display with programmable setting. Add \$636 list for the digital display selection.  
(TR) = Toggle Switch, Red.  
(TG) = Toggle Switch, Grey. Add \$200 list for "Toggle Switch option".

# Antenna Telescope Dual Table Bases

## *Extended Electric*

### *Without Beam and Dual Utility Trays*

description	type	w	d	pattern no.	list
Telescope Base, Height Adjustable Extended Electric, without Beam and Tray, Standalone	For use in standalone application	48"	45"	<b>YBTEXNNS48</b>	\$8,437.
	For use in standalone application	54"	45"	<b>YBTEXNNS54</b>	8,478.
	For use in standalone application	60"	45"	<b>YBTEXNNS60</b>	8,515.
	For use in standalone application	66"	45"	<b>YBTEXNNS66</b>	8,521.
	For use in standalone application	72"	45"	<b>YBTEXNNS72</b>	8,536.
	For use in standalone application	78"	45"	<b>YBTEXNNS78</b>	8,568.
	For use in standalone application	84"	45"	<b>YBTEXNNS84</b>	8,792.



#### Ordering Information

##### Antenna Telescope Dual Table Bases

1. Pattern Number
2. Control Switch
3. Base Paint Finish

#### Order Code

##### Antenna Telescope Dual Table Bases

*Example:* **YBTEXNNE60, D, 118T**

<b>YBT</b>	Antenna Telescope Base
<b>EX</b>	Extended Electric
<b>NN</b>	Without Beam and Tray
<b>E</b>	End position
<b>60</b>	Width
<b>D</b>	Digital Display
<b>118T</b>	Bright White Paint

#### Included With

##### Antenna Telescope Dual Table Bases

Columns  
 Rails  
 Connecting Hardware

#### Options

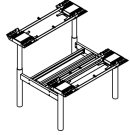
##### Antenna Telescope Dual Table Bases

**Control Switch Options:**  
 (S) = Standard up/down control switch.  
 (D) = Digital Display with programmable setting. Add \$636 list for the digital display selection.  
 (TR) = Toggle Switch, Red.  
 (TG) = Toggle Switch, Grey. Add \$200 list for "Toggle Switch option".

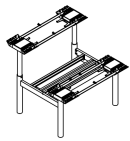
# Antenna Telescope Dual Table Bases

## *Mixed Standard Electric and Fixed Height With Beam and Dual Utility Trays*

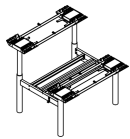
description	type	w	d	pattern no.	list
Telescope Base, Mixed Height Adjustable Standard Electric and Fixed Height with Beam and Dual Trays, Standalone	For use in standalone application	48"	45"	<b>YBTFESBTS48</b>	\$6,321.
		54"	45"	<b>YBTFESBTS54</b>	6,401.
		60"	45"	<b>YBTFESBTS60</b>	6,452.
		66"	45"	<b>YBTFESBTS66</b>	6,489.
		72"	45"	<b>YBTFESBTS72</b>	6,510.
		78"	45"	<b>YBTFESBTS78</b>	6,661.
		84"	45"	<b>YBTFESBTS84</b>	6,933.



Telescope Base, Mixed Height Adjustable Standard Electric and Fixed Height with Beam and Dual Trays, End	For use in end application	48"	45"	<b>YBTFESBTE48</b>	6,379.
		54"	45"	<b>YBTFESBTE54</b>	6,457.
		60"	45"	<b>YBTFESBTE60</b>	6,510.
		66"	45"	<b>YBTFESBTE66</b>	6,547.
		72"	45"	<b>YBTFESBTE72</b>	6,567.
		78"	45"	<b>YBTFESBTE78</b>	6,719.
		84"	45"	<b>YBTFESBTE84</b>	6,991.



Telescope Base, Mixed Height Adjustable Standard Electric and Fixed Height with Beam and Dual Trays, Intermediate	For use in intermediate application	48"	45"	<b>YBTFESBTI48</b>	6,437.
		54"	45"	<b>YBTFESBTI54</b>	6,515.
		60"	45"	<b>YBTFESBTI60</b>	6,567.
		66"	45"	<b>YBTFESBTI66</b>	6,605.
		72"	45"	<b>YBTFESBTI72</b>	6,625.
		78"	45"	<b>YBTFESBTI78</b>	6,776.
		84"	45"	<b>YBTFESBTI84</b>	7,048.



### Ordering Information

#### Table Bases

1. Pattern Number
2. Control Switch
3. Base Paint Finish

### Order Code

#### Bases

*Example:* **YBTFESBTE60, D, 118T**

<b>YBT</b>	Antenna Telescope Base
<b>FES</b>	Mixed Height Adjustable and Fixed Height
<b>BT</b>	With Beam and Trays
<b>E</b>	End position
<b>60</b>	Width
<b>D</b>	Digital Display
<b>118T</b>	Bright White Paint

### Included With

#### Antenna Telescope Dual Table Bases

Columns  
Center beam  
Dual Trays  
Rails  
Connecting Hardware

### Options

#### Antenna Telescope Dual Table Bases

#### Control Switch Options:

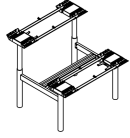
(S) = Standard up/down control switch.  
(D) = Digital Display with programmable setting. Add \$318 list for the digital display selection.  
(TR) = Toggle Switch, Red.  
(TG) = Toggle Switch, Grey. Add \$100 list for "Toggle Switch option".

# Antenna Telescope Dual Table Bases

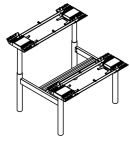
## Mixed Standard Electric and Fixed Height

### With Beam Only

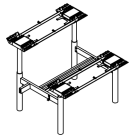
description	type	w	d	pattern no.	list
Telescope Base, Mixed Height Adjustable Standard Electric and Fixed Height with Beam, Standalone	For use in standalone application	48"	45"	<b>YBTFESBNS48</b>	\$5,742.
		54"	45"	<b>YBTFESBNS54</b>	5,783.
		60"	45"	<b>YBTFESBNS60</b>	5,925.
		66"	45"	<b>YBTFESBNS66</b>	5,935.
		72"	45"	<b>YBTFESBNS72</b>	5,951.
		78"	45"	<b>YBTFESBNS78</b>	5,982.
		84"	45"	<b>YBTFESBNS84</b>	6,202.



Telescope Base, Mixed Height Adjustable Standard Electric and Fixed Height with Beam, End	For use in end application	48"	45"	<b>YBTFESBNE48</b>	5,799.
		54"	45"	<b>YBTFESBNE54</b>	5,841.
		60"	45"	<b>YBTFESBNE60</b>	5,982.
		66"	45"	<b>YBTFESBNE66</b>	5,993.
		72"	45"	<b>YBTFESBNE72</b>	6,008.
		78"	45"	<b>YBTFESBNE78</b>	6,039.
		84"	45"	<b>YBTFESBNE84</b>	6,260.



Telescope Base, Mixed Height Adjustable Standard Electric and Fixed Height with Beam, Intermediate	For use in intermediate application	48"	45"	<b>YBTFESBNI48</b>	5,857.
		54"	45"	<b>YBTFESBNI54</b>	5,898.
		60"	45"	<b>YBTFESBNI60</b>	6,039.
		66"	45"	<b>YBTFESBNI66</b>	6,050.
		72"	45"	<b>YBTFESBNI72</b>	6,066.
		78"	45"	<b>YBTFESBNI78</b>	6,097.
		84"	45"	<b>YBTFESBNI84</b>	6,316.



#### Ordering Information

##### Table Bases

1. Pattern Number
2. Control Switch
3. Base Paint Finish

#### Order Code

##### Bases

*Example:* **YBTFESBNE60, D, 118T**

<b>YBT</b>	Antenna Telescope Base
<b>FES</b>	Mixed Height Adjustable and Fixed Height Electric
<b>BN</b>	With Beam Only
<b>E</b>	End position
<b>60</b>	Width
<b>D</b>	Digital Display
<b>118T</b>	Bright White Paint

#### Included With

##### Antenna Telescope Dual Table Bases

Columns  
Center beam  
Rails  
Connecting Hardware

#### Options

##### Antenna Telescope Dual Table Bases

##### Control Switch Options:

(S) = Standard up/down control switch.  
(D) = Digital Display with programmable setting. Add \$318 list for the digital display selection.  
(TR) = Toggle Switch, Red.  
(TC) = Toggle Switch, Grey. Add \$100 list for "Toggle Switch option".

# Antenna Telescope Dual Table Bases

## *Mixed Standard Electric and Fixed Height Without Beam and Dual Utility Trays*

description	type	w	d	pattern no.	list
Telescope Base, Mixed Height Adjustable Standard Electric and Fixed Height without Beam and Tray, Standalone	For use in standalone application	48"	45"	<b>YBTFESNNS48</b>	\$5,475.
		54"	45"	<b>YBTFESNNS54</b>	5,517.
		60"	45"	<b>YBTFESNNS60</b>	5,553.
		66"	45"	<b>YBTFESNNS66</b>	5,559.
		72"	45"	<b>YBTFESNNS72</b>	5,574.
		78"	45"	<b>YBTFESNNS78</b>	5,606.
		84"	45"	<b>YBTFESNNS84</b>	5,830.



### Ordering Information

#### Table Bases

1. Pattern Number
2. Control Switch
3. Base Paint Finish

### Order Code

#### Bases

*Example:* **YBTFESNNS60, D, 118T**

<b>YBT</b>	Antenna Telescope Base
<b>FES</b>	Mixed Height Adjustable and Fixed Height Electric
<b>NN</b>	Without Beam and Trays
<b>S</b>	Standalone
<b>60</b>	Width
<b>D</b>	Digital Display
<b>118T</b>	Bright White Paint

### Included With

#### Antenna Telescope Dual Table Bases

Columns  
Rails  
Connecting Hardware

### Options

#### Antenna Telescope Dual Table Bases

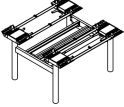
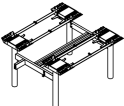
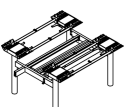
#### Control Switch Options:

(S) = Standard up/down control switch.  
(D) = Digital Display with programmable setting. Add \$318 list for the digital display selection.  
(TR) = Toggle Switch, Red.  
(TG) = Toggle Switch, Grey. Add \$100 list for "Toggle Switch option".

# Antenna Telescope Dual Table Bases

## Fixed Height

### With Beam and Dual Utility Trays

description	type	w	d	pattern no.	list
 Telescope Base, Fixed Height, with Beam and Dual Trays, Standalone	For use in standalone application	48"	45"	<b>YBTFSBTS48</b>	\$4,406.
		54"	45"	<b>YBTFSBTS54</b>	4,485.
		60"	45"	<b>YBTFSBTS60</b>	4,537.
		66"	45"	<b>YBTFSBTS66</b>	4,574.
		72"	45"	<b>YBTFSBTS72</b>	4,595.
		78"	45"	<b>YBTFSBTS78</b>	4,746.
		84"	45"	<b>YBTFSBTS84</b>	5,018.
 Telescope Base, Fixed Height, with Beam and Dual Trays, End	For use in end application	48"	45"	<b>YBTFSBTE48</b>	4,464.
		54"	45"	<b>YBTFSBTE54</b>	4,542.
		60"	45"	<b>YBTFSBTE60</b>	4,595.
		66"	45"	<b>YBTFSBTE66</b>	4,631.
		72"	45"	<b>YBTFSBTE72</b>	4,652.
		78"	45"	<b>YBTFSBTE78</b>	4,804.
		84"	45"	<b>YBTFSBTE84</b>	5,076.
 Telescope Base, Fixed Height, with Beam and Dual Trays, Intermediate	For use in intermediate application	48"	45"	<b>YBTFSBTI48</b>	4,522.
		54"	45"	<b>YBTFSBTI54</b>	4,600.
		60"	45"	<b>YBTFSBTI60</b>	4,652.
		66"	45"	<b>YBTFSBTI66</b>	4,689.
		72"	45"	<b>YBTFSBTI72</b>	4,710.
		78"	45"	<b>YBTFSBTI78</b>	4,861.
		84"	45"	<b>YBTFSBTI84</b>	5,133.

Antenna Telescope

#### Ordering Information

##### Table Bases

1. Pattern Number
2. Base Paint Finish

#### Order Code

##### Bases

<i>Example:</i> <b>YBTFSBTE60, 118T</b>	
<b>YBT</b>	Antenna Telescope Base
<b>FS</b>	Fixed Height
<b>BT</b>	With Beam and Trays
<b>E</b>	End position
<b>60</b>	Width
<b>118T</b>	Bright White Paint

#### Included With

##### Antenna Telescope Dual Table Bases

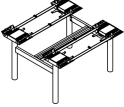
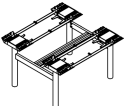
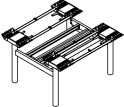
- Columns
- Center beam
- Dual Trays
- Rails
- Connecting Hardware

#### Options

##### Antenna Telescope Dual Table Bases

# Antenna Telescope Dual Table Bases

## *Fixed Height With Beam Only*

description	type	w	d	pattern no.	list
Telescope Base, Fixed Height, with Beam, Standalone 	For use in standalone application	48"	45"	<b>YBTFSBNS48</b>	\$3,827.
		54"	45"	<b>YBTFSBNS54</b>	3,868.
		60"	45"	<b>YBTFSBNS60</b>	4,009.
		66"	45"	<b>YBTFSBNS66</b>	4,019.
		72"	45"	<b>YBTFSBNS72</b>	4,036.
		78"	45"	<b>YBTFSBNS78</b>	4,067.
		84"	45"	<b>YBTFSBNS84</b>	4,286.
Telescope Base, Fixed Height, with Beam, End 	For use in end application	48"	45"	<b>YBTFSBNE48</b>	3,883.
		54"	45"	<b>YBTFSBNE54</b>	3,926.
		60"	45"	<b>YBTFSBNE60</b>	4,067.
		66"	45"	<b>YBTFSBNE66</b>	4,077.
		72"	45"	<b>YBTFSBNE72</b>	4,092.
		78"	45"	<b>YBTFSBNE78</b>	4,124.
		84"	45"	<b>YBTFSBNE84</b>	4,344.
Telescope Base, Fixed Height, with Beam, Intermediate 	For use in intermeditate application	48"	45"	<b>YBTFSBNI48</b>	3,941.
		54"	45"	<b>YBTFSBNI54</b>	3,983.
		60"	45"	<b>YBTFSBNI60</b>	4,124.
		66"	45"	<b>YBTFSBNI66</b>	4,135.
		72"	45"	<b>YBTFSBNI72</b>	4,150.
		78"	45"	<b>YBTFSBNI78</b>	4,182.
		84"	45"	<b>YBTFSBNI84</b>	4,401.

### Ordering Information

#### Table Bases

1. Pattern Number
2. Base Paint Finish

### Order Code

#### Bases

*Example:* **YBTFSBNE60, 118T**

<b>YBT</b>	Antenna Telescope Base
<b>FS</b>	Fixed Height
<b>BN</b>	With Beam Only
<b>E</b>	End position
<b>60</b>	Width
<b>118T</b>	Bright White Paint

### Included With

#### Antenna Telescope Dual Table Bases

Columns  
Center beam  
Dual Trays  
Rails  
Connecting Hardware

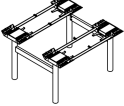
### Options

#### Antenna Telescope Dual Table Bases

# Antenna Telescope Dual Table Bases

## *Fixed Height*

### *Without Beam and Dual Utility Trays*

description	type	w	d	pattern no.	list
Telescope Base, Fixed Height, without Beam and Tray, Standalone 	For use in standalone application	48"	45"	<b>YBTFSNNS48</b>	\$3,560.
		54"	45"	<b>YBTFSNNS54</b>	3,601.
		60"	45"	<b>YBTFSNNS60</b>	3,638.
		66"	45"	<b>YBTFSNNS66</b>	3,644.
		72"	45"	<b>YBTFSNNS72</b>	3,659.
		78"	45"	<b>YBTFSNNS78</b>	3,691.
		84"	45"	<b>YBTFSNNS84</b>	3,915.

#### Ordering Information

##### Table Bases

1. Pattern Number
2. Base Paint Finish

#### Order Code

##### Bases

*Example:* **YBTFSbte60, 118T**

<b>YBT</b>	Antenna Telescope Base
<b>FS</b>	Fixed Height
<b>NN</b>	Without Beam and Trays
<b>S</b>	Standalone
<b>60</b>	Width
<b>118T</b>	Bright White Paint

#### Included With

##### Antenna Telescope Dual Table Bases

Columns  
 Rails  
 Connecting Hardware

#### Options

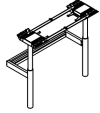
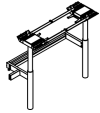
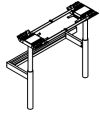
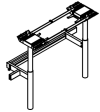
##### Antenna Telescope Dual Table Bases



# Antenna Telescope Single Sided Table Bases

## Standard Electric

### With Beam Only, 24" deep

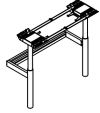
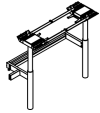
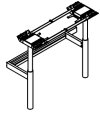
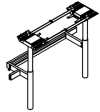
description	type	w	d	pattern no.	list
Telescope Single Sided Base, Height Adjustable Standard Electric, with Beam, No Tray	No crossbar connections 	48"	24"	<b>YBTSSFESBNN4824</b>	\$3,908.
		54"	24"	<b>YBTSSFESBNN5424</b>	3,918.
		60"	24"	<b>YBTSSFESBNN6024</b>	4,024.
		66"	24"	<b>YBTSSFESBNN6624</b>	4,040.
		72"	24"	<b>YBTSSFESBNN7224</b>	4,045.
		78"	24"	<b>YBTSSFESBNN7824</b>	4,055.
		84"	24"	<b>YBTSSFESBNN8424</b>	4,075.
Right position, connecting on left 	Right position, connecting on left	48"	24"	<b>YBTSSFESBNR4824</b>	3,966.
		54"	24"	<b>YBTSSFESBNR5424</b>	3,976.
		60"	24"	<b>YBTSSFESBNR6024</b>	4,082.
		66"	24"	<b>YBTSSFESBNR6624</b>	4,098.
		72"	24"	<b>YBTSSFESBNR7224</b>	4,103.
		78"	24"	<b>YBTSSFESBNR7824</b>	4,113.
		84"	24"	<b>YBTSSFESBNR8424</b>	4,133.
Left position, connecting on right 	Left position, connecting on right	48"	24"	<b>YBTSSFESBNL4824</b>	3,966.
		54"	24"	<b>YBTSSFESBNL5424</b>	3,976.
		60"	24"	<b>YBTSSFESBNL6024</b>	4,082.
		66"	24"	<b>YBTSSFESBNL6624</b>	4,098.
		72"	24"	<b>YBTSSFESBNL7224</b>	4,103.
		78"	24"	<b>YBTSSFESBNL7824</b>	4,113.
		84"	24"	<b>YBTSSFESBNL8424</b>	4,133.
Surround, connecting both sides 	Surround, connecting both sides	48"	24"	<b>YBTSSFESBNS4824</b>	4,045.
		54"	24"	<b>YBTSSFESBNS5424</b>	4,055.
		60"	24"	<b>YBTSSFESBNS6024</b>	4,162.
		66"	24"	<b>YBTSSFESBNS6624</b>	4,177.
		72"	24"	<b>YBTSSFESBNS7224</b>	4,182.
		78"	24"	<b>YBTSSFESBNS7824</b>	4,192.
		78"	24"	<b>YBTSSFESBNS8424</b>	4,212.

Ordering Information	Order Code	Included With	Options
<b>Antenna Telescope Single Sided Table Bases</b>	<b>Antenna Telescope Single Sided Table Bases</b>	<b>Antenna Telescope Single Sided Table Bases</b>	<b>Antenna Telescope Single Sided Table Bases</b>
1. Pattern Number	<i>Example:</i> <b>YBTSSFESBNN4824, D, 118T</b>	Columns	<b>Control Switch Options:</b>
2. Control Switch	<b>YBT</b> Antenna Telescope Base	Center beam	(S) = Standard up/down control switch.
3. Base Paint Finish	<b>SSFES</b> Single Sided Standard Electric	Rails	(D) = Digital Display with programmable setting. Add \$318 list for the digital display selection.
	<b>BN</b> Beam, No Tray	Connecting Hardware	(TR) = Toggle Switch, Red.
	<b>N</b> No connections	Utility Tray	(TG) = Toggle Switch, Grey. Add \$100 list for "Toggle Switch option".
	<b>48</b> Width		
	<b>24</b> Depth		
	<b>D</b> Digital Display		
	<b>118T</b> Bright White Paint		

# Antenna Telescope Single Sided Table Bases

## Standard Electric

### With Beam Only, 27" deep

description	type	w	d	pattern no.	list
Telescope Single Sided Base, Height Adjustable Standard Electric, with Beam, No Tray	No crossbar connections 	48"	27"	<b>YBTSSFESBNN4827</b>	\$3,928.
		54"	27"	<b>YBTSSFESBNN5427</b>	3,938.
		60"	27"	<b>YBTSSFESBNN6027</b>	4,045.
		66"	27"	<b>YBTSSFESBNN6627</b>	4,060.
		72"	27"	<b>YBTSSFESBNN7227</b>	4,065.
		78"	27"	<b>YBTSSFESBNN7827</b>	4,075.
		84"	27"	<b>YBTSSFESBNN8427</b>	4,096.
Right position, connecting on left 	Right position, connecting on left	48"	27"	<b>YBTSSFESBNR4827</b>	3,986.
		54"	27"	<b>YBTSSFESBNR5427</b>	3,996.
		60"	27"	<b>YBTSSFESBNR6027</b>	4,103.
		66"	27"	<b>YBTSSFESBNR6627</b>	4,118.
		72"	27"	<b>YBTSSFESBNR7227</b>	4,123.
		78"	27"	<b>YBTSSFESBNR7827</b>	4,133.
		84"	27"	<b>YBTSSFESBNR8427</b>	4,153.
Left position, connecting on right 	Left position, connecting on right	48"	27"	<b>YBTSSFESBNL4827</b>	3,986.
		54"	27"	<b>YBTSSFESBNL5427</b>	3,996.
		60"	27"	<b>YBTSSFESBNL6027</b>	4,103.
		66"	27"	<b>YBTSSFESBNL6627</b>	4,118.
		72"	27"	<b>YBTSSFESBNL7227</b>	4,123.
		78"	27"	<b>YBTSSFESBNL7827</b>	4,133.
		84"	27"	<b>YBTSSFESBNL8427</b>	4,153.
Surround, connecting both sides 	Surround, connecting both sides	48"	27"	<b>YBTSSFESBNS4827</b>	4,065.
		54"	27"	<b>YBTSSFESBNS5427</b>	4,075.
		60"	27"	<b>YBTSSFESBNS6027</b>	4,182.
		66"	27"	<b>YBTSSFESBNS6627</b>	4,197.
		72"	27"	<b>YBTSSFESBNS7227</b>	4,202.
		78"	27"	<b>YBTSSFESBNS7827</b>	4,212.
		84"	27"	<b>YBTSSFESBNS8427</b>	4,233.

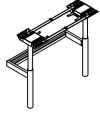
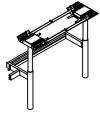
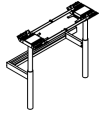
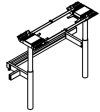
Antenna Telescope

Ordering Information	Order Code	Included With	Options
<b>Antenna Telescope Single Sided Table Bases</b>	<b>Antenna Telescope Single Sided Table Bases</b>	<b>Antenna Telescope Single Sided Table Bases</b>	<b>Antenna Telescope Single Sided Table Bases</b>
1. Pattern Number	<i>Example:</i> <b>YBTSSFESBNN4824, D, 118T</b>	Columns	<b>Control Switch Options:</b>
2. Control Switch	<b>YBT</b> Antenna Telescope Base	Center beam	(S) = Standard up/down control switch.
3. Base Paint Finish	<b>SSFES</b> Single Sided Standard Electric	Rails	(D) = Digital Display with programmable setting. Add \$318 list for the digital display selection.
	<b>BN</b> Beam, No Tray	Connecting Hardware	(TR) = Toggle Switch, Red.
	<b>N</b> No connections		(TG) = Toggle Switch, Grey. Add \$100 list for "Toggle Switch option".
	<b>48</b> Width		
	<b>24</b> Depth		
	<b>D</b> Digital Display		
	<b>118T</b> Bright White Paint		

# Antenna Telescope Single Sided Table Bases

## Standard Electric

### With Beam Only, 30" deep

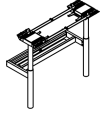
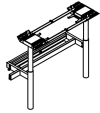
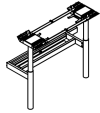
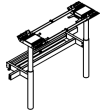
description	type	w	d	pattern no.	list
Telescope Single Sided Base, Height Adjustable Standard Electric, with Beam, No Tray	No crossbar connections 	48"	30"	<b>YBTSSFESBNN4830</b>	\$3,933.
		54"	30"	<b>YBTSSFESBNN5430</b>	3,943.
		60"	30"	<b>YBTSSFESBNN6030</b>	4,050.
		66"	30"	<b>YBTSSFESBNN6630</b>	4,065.
		72"	30"	<b>YBTSSFESBNN7230</b>	4,070.
		78"	30"	<b>YBTSSFESBNN7830</b>	4,080.
		84"	30"	<b>YBTSSFESBNN8430</b>	4,101.
Right position, connecting on left 	Right position, connecting on left	48"	30"	<b>YBTSSFESBNR4830</b>	3,991.
		54"	30"	<b>YBTSSFESBNR5430</b>	4,001.
		60"	30"	<b>YBTSSFESBNR6030</b>	4,108.
		66"	30"	<b>YBTSSFESBNR6630</b>	4,123.
		72"	30"	<b>YBTSSFESBNR7230</b>	4,128.
		78"	30"	<b>YBTSSFESBNR7830</b>	4,138.
		84"	30"	<b>YBTSSFESBNR8430</b>	4,158.
Left position, connecting on right 	Left position, connecting on right	48"	30"	<b>YBTSSFESBNL4830</b>	3,991.
		54"	30"	<b>YBTSSFESBNL5430</b>	4,001.
		60"	30"	<b>YBTSSFESBNL6030</b>	4,108.
		66"	30"	<b>YBTSSFESBNL6630</b>	4,123.
		72"	30"	<b>YBTSSFESBNL7230</b>	4,128.
		78"	30"	<b>YBTSSFESBNL7830</b>	4,138.
		84"	30"	<b>YBTSSFESBNL8430</b>	4,158.
Surround, connecting both sides 	Surround, connecting both sides	48"	30"	<b>YBTSSFESBNS4830</b>	4,070.
		54"	30"	<b>YBTSSFESBNS5430</b>	4,080.
		60"	30"	<b>YBTSSFESBNS6030</b>	4,187.
		66"	30"	<b>YBTSSFESBNS6630</b>	4,202.
		72"	30"	<b>YBTSSFESBNS7230</b>	4,207.
		78"	30"	<b>YBTSSFESBNS7830</b>	4,217.
		84"	30"	<b>YBTSSFESBNS8430</b>	4,238.

Ordering Information	Order Code	Included With	Options
<b>Antenna Telescope Single Sided Table Bases</b>	<b>Antenna Telescope Single Sided Table Bases</b>	<b>Antenna Telescope Single Sided Table Bases</b>	<b>Antenna Telescope Single Sided Table Bases</b>
1. Pattern Number	<i>Example:</i> <b>YBTSSFESBNN4824, D, 118T</b>	Columns	<b>Control Switch Options:</b>
2. Control Switch	<b>YBT</b> Antenna Telescope Base	Center beam	(S) = Standard up/down control switch.
3. Base Paint Finish	<b>SSFES</b> Single Sided Standard Electric	Rails	(D) = Digital Display with programmable setting. Add \$318 list for the digital display selection.
	<b>BN</b> Beam, No Tray	Connecting Hardware	(TR) = Toggle Switch, Red.
	<b>N</b> No connections		(TG) = Toggle Switch, Grey. Add \$100 list for "Toggle Switch option".
	<b>48</b> Width		
	<b>24</b> Depth		
	<b>D</b> Digital Display		
	<b>118T</b> Bright White Paint		

# Antenna Telescope Single Sided Table Bases

## Standard Electric

### With Beam and Utility Tray, 24" deep

description	type	w	d	pattern no.	list
Telescope Single Sided Base, Height Adjustable Standard Electric, with Beam and Tray	No crossbar connections 	48"	24"	<b>YBTSSFESBTN4824</b>	\$4,217.
		54"	24"	<b>YBTSSFESBTN5424</b>	4,227.
		60"	24"	<b>YBTSSFESBTN6024</b>	4,273.
		66"	24"	<b>YBTSSFESBTN6624</b>	4,314.
		72"	24"	<b>YBTSSFESBTN7224</b>	4,329.
		78"	24"	<b>YBTSSFESBTN7824</b>	4,390.
		84"	24"	<b>YBTSSFESBTN8424</b>	4,420.
Right position, connecting on left 	Right position, connecting on left	48"	24"	<b>YBTSSFESBTR4824</b>	4,275.
		54"	24"	<b>YBTSSFESBTR5424</b>	4,285.
		60"	24"	<b>YBTSSFESBTR6024</b>	4,331.
		66"	24"	<b>YBTSSFESBTR6624</b>	4,372.
		72"	24"	<b>YBTSSFESBTR7224</b>	4,387.
		78"	24"	<b>YBTSSFESBTR7824</b>	4,448.
		84"	24"	<b>YBTSSFESBTR8424</b>	4,478.
Left position, connecting on right 	Left position, connecting on right	48"	24"	<b>YBTSSFESBTL4824</b>	4,275.
		54"	24"	<b>YBTSSFESBTL5424</b>	4,285.
		60"	24"	<b>YBTSSFESBTL6024</b>	4,331.
		66"	24"	<b>YBTSSFESBTL6624</b>	4,372.
		72"	24"	<b>YBTSSFESBTL7224</b>	4,387.
		78"	24"	<b>YBTSSFESBTL7824</b>	4,448.
		84"	24"	<b>YBTSSFESBTL8424</b>	4,478.
Surround, connecting both sides 	Surround, connecting both sides	48"	24"	<b>YBTSSFESBTS4824</b>	4,333.
		54"	24"	<b>YBTSSFESBTS5424</b>	4,343.
		60"	24"	<b>YBTSSFESBTS6024</b>	4,389.
		66"	24"	<b>YBTSSFESBTS6624</b>	4,429.
		72"	24"	<b>YBTSSFESBTS7224</b>	4,445.
		78"	24"	<b>YBTSSFESBTS7824</b>	4,506.
		84"	24"	<b>YBTSSFESBTS8424</b>	4,536.

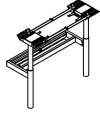
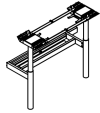
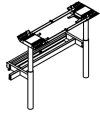
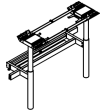
Antenna Telescope

Ordering Information	Order Code	Included With	Options
<b>Antenna Telescope Single Sided Table Bases</b>	<b>Antenna Telescope Single Sided Table Bases</b>	<b>Antenna Telescope Single Sided Table Bases</b>	<b>Antenna Telescope Single Sided Table Bases</b>
1. Pattern Number	<i>Example:</i> <b>YBTSSFESBTN4824, D, 118T</b>	Columns	<b>Control Switch Options:</b>
2. Control Switch	<b>YBT</b> Antenna Telescope Base	Center beam	(S) = Standard up/down control switch.
3. Base Paint Finish	<b>SSFES</b> Single Sided Standard Electric	Rails	(D) = Digital Display with programmable setting. Add \$318 list for the digital display selection.
	<b>BT</b> Beam and Utility Tray	Connecting Hardware	(TR) = Toggle Switch, Red.
	<b>N</b> No connections	Utility Tray	(TG) = Toggle Switch, Grey. Add \$100 list for "Toggle Switch option".
	<b>48</b> Width		
	<b>24</b> Depth		
	<b>D</b> Digital Display		
	<b>118T</b> Bright White Paint		

# Antenna Telescope Single Sided Table Bases

## Standard Electric

### With Beam and Utility Tray, 27" deep

description	type	w	d	pattern no.	list
Telescope Single Sided Base, Height Adjustable Standard Electric, with Beam and Tray	No crossbar connections 	48"	27"	<b>YBTSSFESBTN4827</b>	\$4,238.
		54"	27"	<b>YBTSSFESBTN5427</b>	4,248.
		60"	27"	<b>YBTSSFESBTN6027</b>	4,293.
		66"	27"	<b>YBTSSFESBTN6627</b>	4,334.
		72"	27"	<b>YBTSSFESBTN7227</b>	4,349.
		78"	27"	<b>YBTSSFESBTN7827</b>	4,410.
		84"	27"	<b>YBTSSFESBTN8427</b>	4,441.
Right position, connecting on left 	Right position, connecting on left	48"	27"	<b>YBTSSFESBTR4827</b>	4,295.
		54"	27"	<b>YBTSSFESBTR5427</b>	4,306.
		60"	27"	<b>YBTSSFESBTR6027</b>	4,351.
		66"	27"	<b>YBTSSFESBTR6627</b>	4,392.
		72"	27"	<b>YBTSSFESBTR7227</b>	4,407.
		78"	27"	<b>YBTSSFESBTR7827</b>	4,468.
		84"	27"	<b>YBTSSFESBTR8427</b>	4,498.
Left position, connecting on right 	Left position, connecting on right	48"	27"	<b>YBTSSFESBTL4827</b>	4,295.
		54"	27"	<b>YBTSSFESBTL5427</b>	4,306.
		60"	27"	<b>YBTSSFESBTL6027</b>	4,351.
		66"	27"	<b>YBTSSFESBTL6627</b>	4,392.
		72"	27"	<b>YBTSSFESBTL7227</b>	4,407.
		78"	27"	<b>YBTSSFESBTL7827</b>	4,468.
		84"	27"	<b>YBTSSFESBTL8427</b>	4,498.
Surround, connecting both sides 	Surround, connecting both sides	48"	27"	<b>YBTSSFESBTS4827</b>	4,353.
		54"	27"	<b>YBTSSFESBTS5427</b>	4,363.
		60"	27"	<b>YBTSSFESBTS6027</b>	4,409.
		66"	27"	<b>YBTSSFESBTS6627</b>	4,450.
		72"	27"	<b>YBTSSFESBTS7227</b>	4,465.
		78"	27"	<b>YBTSSFESBTS7827</b>	4,526.
		84"	27"	<b>YBTSSFESBTS8427</b>	4,556.

#### Ordering Information

##### Antenna Telescope Single Sided Table Bases

1. Pattern Number
2. Control Switch
3. Base Paint Finish

#### Order Code

##### Antenna Telescope Single Sided Table Bases

*Example:* **YBTSSFESBTN4824, D, 118T**

<b>YBT</b>	Antenna Telescope Base
<b>SSFES</b>	Single Sided Standard Electric
<b>BT</b>	Beam and Utility Tray
<b>N</b>	No connections
<b>48</b>	Width
<b>24</b>	Depth
<b>D</b>	Digital Display
<b>118T</b>	Bright White Paint

#### Included With

##### Antenna Telescope Single Sided Table Bases

Columns  
Center beam  
Rails  
Connecting Hardware  
Utility Tray

#### Options

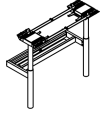
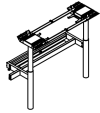
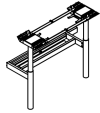
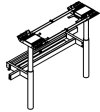
##### Antenna Telescope Single Sided Table Bases

**Control Switch Options:**  
(S) = Standard up/down control switch.  
(D) = Digital Display with programmable setting. Add \$318 list for the digital display selection.  
(TR) = Toggle Switch, Red.  
(TG) = Toggle Switch, Grey. Add \$100 list for "Toggle Switch option".

# Antenna Telescope Single Sided Table Bases

## Standard Electric

### With Beam and Utility Tray, 30" deep



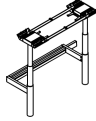
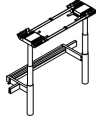
description	type	w	d	pattern no.	list
Telescope Single Sided Base, Height Adjustable Standard Electric, with Beam and Tray	 No crossbar connections	48"	30"	<b>YBTSSFESBTN4830</b>	\$4,243.
		54"	30"	<b>YBTSSFESBTN5430</b>	4,253.
		60"	30"	<b>YBTSSFESBTN6030</b>	4,299.
		66"	30"	<b>YBTSSFESBTN6630</b>	4,339.
		66"	30"	<b>YBTSSFESBTN7230</b>	4,354.
		78"	30"	<b>YBTSSFESBTN7830</b>	4,415.
		84"	30"	<b>YBTSSFESBTN8430</b>	4,446.
 Right position, connecting on left	48"	30"	<b>YBTSSFESBTR4830</b>	4,301.	
	54"	30"	<b>YBTSSFESBTR5430</b>	4,311.	
	60"	30"	<b>YBTSSFESBTR6030</b>	4,356.	
	66"	30"	<b>YBTSSFESBTR6630</b>	4,397.	
	72"	30"	<b>YBTSSFESBTR7230</b>	4,412.	
	78"	30"	<b>YBTSSFESBTR7830</b>	4,473.	
	84"	30"	<b>YBTSSFESBTR8430</b>	4,504.	
 Left position, connecting on right	48"	30"	<b>YBTSSFESBTL4830</b>	4,301.	
	54"	30"	<b>YBTSSFESBTL5430</b>	4,311.	
	60"	30"	<b>YBTSSFESBTL6030</b>	4,356.	
	66"	30"	<b>YBTSSFESBTL6630</b>	4,397.	
	72"	30"	<b>YBTSSFESBTL7230</b>	4,412.	
	78"	30"	<b>YBTSSFESBTL7830</b>	4,473.	
	84"	30"	<b>YBTSSFESBTL8430</b>	4,504.	
 Surround, connecting both sides	48"	30"	<b>YBTSSFESBTS4830</b>	4,358.	
	54"	30"	<b>YBTSSFESBTS5430</b>	4,369.	
	60"	30"	<b>YBTSSFESBTS6030</b>	4,414.	
	66"	30"	<b>YBTSSFESBTS6630</b>	4,455.	
	72"	30"	<b>YBTSSFESBTS7230</b>	4,470.	
	78"	30"	<b>YBTSSFESBTS7830</b>	4,531.	
	84"	30"	<b>YBTSSFESBTS8430</b>	4,561.	

Antenna Telescope

Ordering Information	Order Code	Included With	Options
<b>Antenna Telescope Single Sided Table Bases</b> 1. Pattern Number 2. Control Switch 3. Base Paint Finish	<b>Antenna Telescope Single Sided Table Bases</b>  <i>Example:</i> <b>YBTSSFESBTN4824, D, 118T</b>  <b>YBT</b> Antenna Telescope Base <b>SSFES</b> Single Sided Standard Electric <b>BT</b> Beam and Utility Tray <b>N</b> No connections <b>48</b> Width <b>24</b> Depth <b>D</b> Digital Display <b>118T</b> Bright White Paint	<b>Antenna Telescope Single Sided Table Bases</b>  Columns Center beam Rails Connecting Hardware Utility Tray	<b>Antenna Telescope Single Sided Table Bases</b>  <b>Control Switch Options:</b> (S) = Standard up/down control switch. (D) = Digital Display with programmable setting. Add \$318 list for the digital display selection. (TR) = Toggle Switch, Red. (TG) = Toggle Switch, Grey. Add \$100 list for "Toggle Switch option".

# Antenna Telescope Single Sided Table Bases



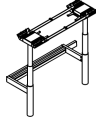
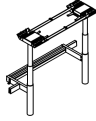
## Extended Electric With Beam Only, 24" deep

description	type	w	d	pattern no.	list
Telescope Single Sided Base, Height Adjustable Extended Electric, with Beam, No Tray	 No crossbar connections	48"	24"	<b>YBTSSFEXBNN4824</b>	\$4,578.
		54"	24"	<b>YBTSSFEXBNN5424</b>	4,588.
		60"	24"	<b>YBTSSFEXBNN6024</b>	4,694.
		66"	24"	<b>YBTSSFEXBNN6624</b>	4,710.
		72"	24"	<b>YBTSSFEXBNN7224</b>	4,715.
		78"	24"	<b>YBTSSFEXBNN7824</b>	4,725.
		84"	24"	<b>YBTSSFEXBNN8424</b>	4,745.
 Right position, connecting on left	48"	24"	<b>YBTSSFEXBNR4824</b>	4,636.	
	54"	24"	<b>YBTSSFEXBNR5424</b>	4,646.	
	60"	24"	<b>YBTSSFEXBNR6024</b>	4,752.	
	66"	24"	<b>YBTSSFEXBNR6624</b>	4,767.	
	72"	24"	<b>YBTSSFEXBNR7224</b>	4,773.	
	78"	24"	<b>YBTSSFEXBNR7824</b>	4,783.	
	84"	24"	<b>YBTSSFEXBNR8424</b>	4,803.	
 Left position, connecting on right	48"	24"	<b>YBTSSFEXBNL4824</b>	4,636.	
	54"	24"	<b>YBTSSFEXBNL5424</b>	4,646.	
	60"	24"	<b>YBTSSFEXBNL6024</b>	4,752.	
	66"	24"	<b>YBTSSFEXBNL6624</b>	4,767.	
	72"	24"	<b>YBTSSFEXBNL7224</b>	4,773.	
	78"	24"	<b>YBTSSFEXBNL7824</b>	4,783.	
	84"	24"	<b>YBTSSFEXBNL8424</b>	4,803.	
 Surround, connecting both sides	48"	24"	<b>YBTSSFEXBNS4824</b>	4,715.	
	54"	24"	<b>YBTSSFEXBNS5424</b>	4,725.	
	60"	24"	<b>YBTSSFEXBNS6024</b>	4,831.	
	66"	24"	<b>YBTSSFEXBNS6624</b>	4,847.	
	72"	24"	<b>YBTSSFEXBNS7224</b>	4,852.	
	78"	24"	<b>YBTSSFEXBNS7824</b>	4,862.	
	84"	24"	<b>YBTSSFEXBNS8424</b>	4,882.	

Ordering Information	Order Code	Included With	Options
<b>Antenna Telescope Single Sided Table Bases</b> 1. Pattern Number 2. Control Switch 3. Base Paint Finish	<b>Antenna Telescope Single Sided Table Bases</b>  <i>Example:</i> <b>YBTSSFEXBNN4824, D, 118T</b> <hr/> <b>YBT</b> Antenna Telescope Base <hr/> <b>SSFEX</b> Single Sided Extended Electric <hr/> <b>BN</b> Beam, No Tray <hr/> <b>N</b> No connections <hr/> <b>48</b> Width <hr/> <b>24</b> Depth <hr/> <b>D</b> Digital Display <hr/> <b>118T</b> Bright White Paint	<b>Antenna Telescope Single Sided Table Bases</b> Columns Center beam Rails Connecting Hardware	<b>Antenna Telescope Single Sided Table Bases</b>  <b>Control Switch Options:</b> (S) = Standard up/down control switch. (D) = Digital Display with programmable setting. Add \$318 list for the digital display selection. (TR) = Toggle Switch, Red. (TG) = Toggle Switch, Grey. Add \$100 list for "Toggle Switch option".

# Antenna Telescope Single Sided Table Bases

## Extended Electric With Beam Only, 27" deep

description	type	w	d	pattern no.	list
Telescope Single Sided Base, Height Adjustable Extended Electric, with Beam, No Tray	No crossbar connections 	48"	27"	<b>YBTSSFEXBNN4827</b>	\$4,598.
		54"	27"	<b>YBTSSFEXBNN5427</b>	4,608.
		60"	27"	<b>YBTSSFEXBNN6027</b>	4,715.
		66"	27"	<b>YBTSSFEXBNN6627</b>	4,730.
		72"	27"	<b>YBTSSFEXBNN7227</b>	4,735.
		78"	27"	<b>YBTSSFEXBNN7827</b>	4,745.
		84"	27"	<b>YBTSSFEXBNN8427</b>	4,765.
Right position, connecting on left 	Right position, connecting on left	48"	27"	<b>YBTSSFEXBNR4827</b>	4,656.
		54"	27"	<b>YBTSSFEXBNR5427</b>	4,666.
		60"	27"	<b>YBTSSFEXBNR6027</b>	4,773.
		66"	27"	<b>YBTSSFEXBNR6627</b>	4,788.
		72"	27"	<b>YBTSSFEXBNR7227</b>	4,793.
		78"	27"	<b>YBTSSFEXBNR7827</b>	4,803.
		84"	27"	<b>YBTSSFEXBNR8427</b>	4,823.
Left position, connecting on right 	Left position, connecting on right	48"	27"	<b>YBTSSFEXBNL4827</b>	4,656.
		54"	27"	<b>YBTSSFEXBNL5427</b>	4,666.
		60"	27"	<b>YBTSSFEXBNL6027</b>	4,773.
		66"	27"	<b>YBTSSFEXBNL6627</b>	4,788.
		72"	27"	<b>YBTSSFEXBNL7227</b>	4,793.
		78"	27"	<b>YBTSSFEXBNL7827</b>	4,803.
		84"	27"	<b>YBTSSFEXBNL8427</b>	4,823.
Surround, connecting both sides 	Surround, connecting both sides	48"	27"	<b>YBTSSFEXBNS4827</b>	4,735.
		54"	27"	<b>YBTSSFEXBNS5427</b>	4,745.
		60"	27"	<b>YBTSSFEXBNS6027</b>	4,852.
		66"	27"	<b>YBTSSFEXBNS6627</b>	4,867.
		72"	27"	<b>YBTSSFEXBNS7227</b>	4,872.
		78"	27"	<b>YBTSSFEXBNS7827</b>	4,882.
		84"	27"	<b>YBTSSFEXBNS8427</b>	4,902.

Antenna Telescope

Ordering Information	Order Code	Included With	Options
<b>Antenna Telescope Single Sided Table Bases</b>	<b>Antenna Telescope Single Sided Table Bases</b>	<b>Antenna Telescope Single Sided Table Bases</b>	<b>Antenna Telescope Single Sided Table Bases</b>
1. Pattern Number	<i>Example:</i> <b>YBTSSFEXBNN4824, D, 118T</b>	Columns	<b>Control Switch Options:</b>
2. Control Switch	<b>YBT</b> Antenna Telescope Base	Center beam	(S) = Standard up/down control switch.
3. Base Paint Finish	<b>SSFEX</b> Single Sided Extended Electric	Rails	(D) = Digital Display with programmable setting. Add \$318 list for the digital display selection.
	<b>BN</b> Beam, No Tray	Connecting Hardware	(TR) = Toggle Switch, Red.
	<b>N</b> No connections		(TG) = Toggle Switch, Grey. Add \$100 list for "Toggle Switch option".
	<b>48</b> Width		
	<b>24</b> Depth		
	<b>D</b> Digital Display		
	<b>118T</b> Bright White Paint		



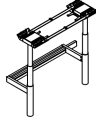
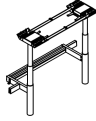


# Antenna Telescope Single Sided Table Bases

Antenna Workspaces

## Extended Electric

### With Beam Only, 30" deep

description	type	w	d	pattern no.	list
Telescope Single Sided Base, Height Adjustable Extended Electric, with Beam, No Tray	 No crossbar connections	48"	30"	<b>YBTSSFEXBNN4830</b>	\$4,603.
		54"	30"	<b>YBTSSFEXBNN5430</b>	4,613.
		60"	30"	<b>YBTSSFEXBNN6030</b>	4,720.
		66"	30"	<b>YBTSSFEXBNN6630</b>	4,735.
		72"	30"	<b>YBTSSFEXBNN7230</b>	4,740.
		78"	30"	<b>YBTSSFEXBNN7830</b>	4,750.
		84"	30"	<b>YBTSSFEXBNN8430</b>	4,771.
 Right position, connecting on left	48"	30"	<b>YBTSSFEXBNR4830</b>	4,661.	
	54"	30"	<b>YBTSSFEXBNR5430</b>	4,671.	
	60"	30"	<b>YBTSSFEXBNR6030</b>	4,778.	
	66"	30"	<b>YBTSSFEXBNR6630</b>	4,793.	
	72"	30"	<b>YBTSSFEXBNR7230</b>	4,798.	
	78"	30"	<b>YBTSSFEXBNR7830</b>	4,808.	
	84"	30"	<b>YBTSSFEXBNR8430</b>	4,828.	
 Left position, connecting on right	48"	30"	<b>YBTSSFEXBNL4830</b>	4,661.	
	54"	30"	<b>YBTSSFEXBNL5430</b>	4,671.	
	60"	30"	<b>YBTSSFEXBNL6030</b>	4,778.	
	66"	30"	<b>YBTSSFEXBNL6630</b>	4,793.	
	72"	30"	<b>YBTSSFEXBNL7230</b>	4,798.	
	78"	30"	<b>YBTSSFEXBNL7830</b>	4,808.	
	84"	30"	<b>YBTSSFEXBNL8430</b>	4,828.	
 Surround, connecting both sides	48"	30"	<b>YBTSSFEXBNS4830</b>	4,740.	
	54"	30"	<b>YBTSSFEXBNS5430</b>	4,750.	
	60"	30"	<b>YBTSSFEXBNS6030</b>	4,857.	
	66"	30"	<b>YBTSSFEXBNS6630</b>	4,872.	
	72"	30"	<b>YBTSSFEXBNS7230</b>	4,877.	
	78"	30"	<b>YBTSSFEXBNS7830</b>	4,887.	
	84"	30"	<b>YBTSSFEXBNS8430</b>	4,908.	

#### Ordering Information

##### Antenna Telescope Single Sided Table Bases

1. Pattern Number
2. Control Switch
3. Base Paint Finish

#### Order Code

##### Antenna Telescope Single Sided Table Bases

*Example:* **YBTSSFEXBNN4824, D, 118T**

<b>YBT</b>	Antenna Telescope Base
<b>SSFEX</b>	Single Sided Extended Electric
<b>BN</b>	Beam, No Tray
<b>N</b>	No connections
<b>48</b>	Width
<b>24</b>	Depth
<b>D</b>	Digital Display
<b>118T</b>	Bright White Paint

#### Included With

##### Antenna Telescope Single Sided Table Bases

Columns  
Center beam  
Rails  
Connecting Hardware

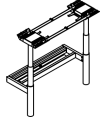
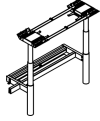
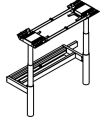
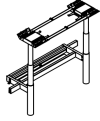
#### Options

##### Antenna Telescope Single Sided Table Bases

**Control Switch Options:**  
(S) = Standard up/down control switch.  
(D) = Digital Display with programmable setting. Add \$318 list for the digital display selection.  
(TR) = Toggle Switch, Red.  
(TG) = Toggle Switch, Grey. Add \$100 list for "Toggle Switch option".

## Extended Electric

### With Beam and Utility Tray, 24" deep

description	type	w	d	pattern no.	list
Telescope Single Sided Base, Height Adjustable Extended Electric, with Beam and Tray	No crossbar connections 	48"	24"	<b>YBTSSFEXBTN4824</b>	\$4,887.
		54"	24"	<b>YBTSSFEXBTN5424</b>	4,897.
		60"	24"	<b>YBTSSFEXBTN6024</b>	4,943.
		66"	24"	<b>YBTSSFEXBTN6624</b>	4,984.
		72"	24"	<b>YBTSSFEXBTN7224</b>	4,999.
		78"	24"	<b>YBTSSFEXBTN7824</b>	5,060.
		84"	24"	<b>YBTSSFEXBTN8424</b>	5,090.
Right position, connecting on left 	Right position, connecting on left	48"	24"	<b>YBTSSFEXBTR4824</b>	4,945.
		54"	24"	<b>YBTSSFEXBTR5424</b>	4,955.
		60"	24"	<b>YBTSSFEXBTR6024</b>	5,001.
		66"	24"	<b>YBTSSFEXBTR6624</b>	5,042.
		72"	24"	<b>YBTSSFEXBTR7224</b>	5,057.
		78"	24"	<b>YBTSSFEXBTR7824</b>	5,118.
		84"	24"	<b>YBTSSFEXBTR8424</b>	5,148.
Left position, connecting on right 	Left position, connecting on right	48"	24"	<b>YBTSSFEXBTL4824</b>	4,945.
		54"	24"	<b>YBTSSFEXBTL5424</b>	4,955.
		60"	24"	<b>YBTSSFEXBTL6024</b>	5,001.
		66"	24"	<b>YBTSSFEXBTL6624</b>	5,042.
		72"	24"	<b>YBTSSFEXBTL7224</b>	5,057.
		78"	24"	<b>YBTSSFEXBTL7824</b>	5,118.
		84"	24"	<b>YBTSSFEXBTL8424</b>	5,148.
Surround, connecting both sides 	Surround, connecting both sides	48"	24"	<b>YBTSSFEXBTS4824</b>	5,003.
		54"	24"	<b>YBTSSFEXBTS5424</b>	5,013.
		60"	24"	<b>YBTSSFEXBTS6024</b>	5,059.
		66"	24"	<b>YBTSSFEXBTS6624</b>	5,099.
		72"	24"	<b>YBTSSFEXBTS7224</b>	5,115.
		78"	24"	<b>YBTSSFEXBTS7824</b>	5,175.
		84"	24"	<b>YBTSSFEXBTS8424</b>	5,206.

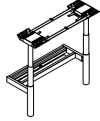
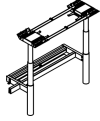
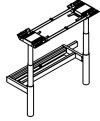
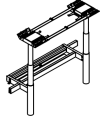
Antenna Telescope

Ordering Information	Order Code	Included With	Options
<b>Antenna Telescope Single Sided Table Bases</b>	<b>Antenna Telescope Single Sided Table Bases</b>	<b>Antenna Telescope Single Sided Table Bases</b>	<b>Antenna Telescope Single Sided Table Bases</b>
1. Pattern Number	<i>Example:</i> <b>YBTSSFEXBTN4824, D, 118T</b>	Columns	<b>Control Switch Options:</b>
2. Control Switch	<b>YBT</b> Antenna Telescope Base	Center beam	(S) = Standard up/down control switch.
3. Base Paint Finish	<b>SSFEX</b> Single Sided Extended Electric	Rails	(D) = Digital Display with programmable setting. Add \$318 list for the digital display selection.
	<b>BT</b> Beam and Utility Tray	Connecting Hardware	(TR) = Toggle Switch, Red.
	<b>N</b> No connections	Utility Tray	(TG) = Toggle Switch, Grey. Add \$100 list for "Toggle Switch option".
	<b>48</b> Width		
	<b>24</b> Depth		
	<b>D</b> Digital Display		
	<b>118T</b> Bright White Paint		

# Antenna Telescope Single Sided Table Bases

## Extended Electric

### With Beam and Utility Tray, 27" deep

description	type	w	d	pattern no.	list
Telescope Single Sided Base, Height Adjustable Extended Electric, with Beam and Tray	 No crossbar connections	48"	27"	<b>YBTSSFEXBTN4827</b>	\$4,908.
		54"	27"	<b>YBTSSFEXBTN5427</b>	4,918.
		60"	27"	<b>YBTSSFEXBTN6027</b>	4,963.
		66"	27"	<b>YBTSSFEXBTN6627</b>	5,004.
		72"	27"	<b>YBTSSFEXBTN7227</b>	5,019.
		78"	27"	<b>YBTSSFEXBTN7827</b>	5,080.
		84"	27"	<b>YBTSSFEXBTN8427</b>	5,111.
 Right position, connecting on left	48"	27"	<b>YBTSSFEXBTR4827</b>	4,965.	
	54"	27"	<b>YBTSSFEXBTR5427</b>	4,976.	
	60"	27"	<b>YBTSSFEXBTR6027</b>	5,021.	
	66"	27"	<b>YBTSSFEXBTR6627</b>	5,062.	
	72"	27"	<b>YBTSSFEXBTR7227</b>	5,077.	
	78"	27"	<b>YBTSSFEXBTR7827</b>	5,138.	
	84"	27"	<b>YBTSSFEXBTR8427</b>	5,168.	
 Left position, connecting on right	48"	27"	<b>YBTSSFEXBTL4827</b>	4,965.	
	54"	27"	<b>YBTSSFEXBTL5427</b>	4,976.	
	60"	27"	<b>YBTSSFEXBTL6027</b>	5,021.	
	66"	27"	<b>YBTSSFEXBTL6627</b>	5,062.	
	72"	27"	<b>YBTSSFEXBTL7227</b>	5,077.	
	78"	27"	<b>YBTSSFEXBTL7827</b>	5,138.	
	84"	27"	<b>YBTSSFEXBTL8427</b>	5,168.	
 Surround, connecting both sides	48"	27"	<b>YBTSSFEXBTS4827</b>	5,023.	
	54"	27"	<b>YBTSSFEXBTS5427</b>	5,033.	
	60"	27"	<b>YBTSSFEXBTS6027</b>	5,079.	
	66"	27"	<b>YBTSSFEXBTS6627</b>	5,120.	
	72"	27"	<b>YBTSSFEXBTS7227</b>	5,135.	
	78"	27"	<b>YBTSSFEXBTS7827</b>	5,196.	
	84"	27"	<b>YBTSSFEXBTS8427</b>	5,226.	

#### Ordering Information

##### Antenna Telescope Single Sided Table Bases

1. Pattern Number
2. Control Switch
3. Base Paint Finish

#### Order Code

##### Antenna Telescope Single Sided Table Bases

*Example:* **YBTSSFEXBTN4824, D, 118T**

<b>YBT</b>	Antenna Telescope Base
<b>SSFEX</b>	Single Sided Extended Electric
<b>BT</b>	Beam and Utility Tray
<b>N</b>	No connections
<b>48</b>	Width
<b>24</b>	Depth
<b>D</b>	Digital Display
<b>118T</b>	Bright White Paint

#### Included With

##### Antenna Telescope Single Sided Table Bases

Columns  
Center beam  
Rails  
Connecting Hardware  
Utility Tray

#### Options

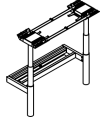
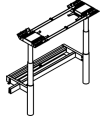
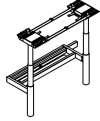
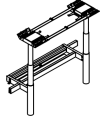
##### Antenna Telescope Single Sided Table Bases

**Control Switch Options:**  
(S) = Standard up/down control switch.  
(D) = Digital Display with programmable setting. Add \$318 list for the digital display selection.  
(TR) = Toggle Switch, Red.  
(TG) = Toggle Switch, Grey. Add \$100 list for "Toggle Switch option".

# Antenna Telescope Single Sided Table Bases

## Extended Electric

### With Beam and Utility Tray, 30" deep

description	type	w	d	pattern no.	list
Telescope Single Sided Base, Height Adjustable Extended Electric, with Beam and Tray	 No crossbar connections	48"	30"	<b>YBTSSFEXBTN4830</b>	\$4,913.
		54"	30"	<b>YBTSSFEXBTN5430</b>	4,923.
		60"	30"	<b>YBTSSFEXBTN6030</b>	4,968.
		66"	30"	<b>YBTSSFEXBTN6630</b>	5,009.
		72"	30"	<b>YBTSSFEXBTN7230</b>	5,024.
		78"	30"	<b>YBTSSFEXBTN7830</b>	5,085.
		84"	30"	<b>YBTSSFEXBTN8430</b>	5,116.
 Right position, connecting on left	48"	30"	<b>YBTSSFEXBTR4830</b>	4,970.	
	54"	30"	<b>YBTSSFEXBTR5430</b>	4,981.	
	60"	30"	<b>YBTSSFEXBTR6030</b>	5,026.	
	66"	30"	<b>YBTSSFEXBTR6630</b>	5,067.	
	72"	30"	<b>YBTSSFEXBTR7230</b>	5,082.	
	78"	30"	<b>YBTSSFEXBTR7830</b>	5,143.	
	84"	30"	<b>YBTSSFEXBTR8430</b>	5,173.	
 Left position, connecting on right	48"	30"	<b>YBTSSFEXBTL4830</b>	4,970.	
	54"	30"	<b>YBTSSFEXBTL5430</b>	4,981.	
	60"	30"	<b>YBTSSFEXBTL6030</b>	5,026.	
	66"	30"	<b>YBTSSFEXBTL6630</b>	5,067.	
	72"	30"	<b>YBTSSFEXBTL7230</b>	5,082.	
	78"	30"	<b>YBTSSFEXBTL7830</b>	5,143.	
	84"	30"	<b>YBTSSFEXBTL8430</b>	5,173.	
 Surround, connecting both sides	48"	30"	<b>YBTSSFEXBTS4830</b>	5,028.	
	54"	30"	<b>YBTSSFEXBTS5430</b>	5,038.	
	60"	30"	<b>YBTSSFEXBTS6030</b>	5,084.	
	66"	30"	<b>YBTSSFEXBTS6630</b>	5,125.	
	72"	30"	<b>YBTSSFEXBTS7230</b>	5,140.	
	78"	30"	<b>YBTSSFEXBTS7830</b>	5,201.	
	84"	30"	<b>YBTSSFEXBTS8430</b>	5,231.	

Antenna Telescope

#### Ordering Information

##### Antenna Telescope Single Sided Table Bases

1. Pattern Number
2. Control Switch
3. Base Paint Finish

#### Order Code

##### Antenna Telescope Single Sided Table Bases

*Example:* **YBTSSFEXBTN4824, D, 118T**

<b>YBT</b>	Antenna Telescope Base
<b>SSFEX</b>	Single Sided Extended Electric
<b>BT</b>	Beam and Utility Tray
<b>N</b>	No connections
<b>48</b>	Width
<b>24</b>	Depth
<b>D</b>	Digital Display
<b>118T</b>	Bright White Paint

#### Included With

##### Antenna Telescope Single Sided Table Bases

Columns  
Center beam  
Rails  
Connecting Hardware  
Utility Tray

#### Options

##### Antenna Telescope Single Sided Table Bases

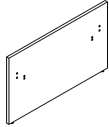
**Control Switch Options:**  
(S) = Standard up/down control switch.  
(D) = Digital Display with programmable setting. Add \$318 list for the digital display selection.  
(TR) = Toggle Switch, Red.  
(TG) = Toggle Switch, Grey. Add \$100 list for "Toggle Switch option".

# Antenna Telescope Back Panels

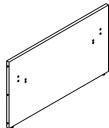
## For Single Sided Standard Electric Bases

### Laminate or Veneer, 28 1/2" H

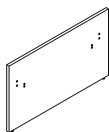
description	w	d	h	pattern no.	Laminate (L)	V1(V)	V2(V)	V3(V)
Telescope Back Panel for Single Sided Standard Electric Base, No End Panel Connection, Desk Height	48"	1 1/4"	28 1/2"	<b>YBPTSSFESN2848( )</b>	\$431.	\$631.	\$736.	\$1,215.
	54"	1 1/4"	28 1/2"	<b>YBPTSSFESN2854( )</b>	442.	645.	751.	1,239.
	60"	1 1/4"	28 1/2"	<b>YBPTSSFESN2860( )</b>	462.	720.	832.	1,370.
	66"	1 1/4"	28 1/2"	<b>YBPTSSFESN2866( )</b>	482.	745.	864.	1,451.
	72"	1 1/4"	28 1/2"	<b>YBPTSSFESN2872( )</b>	492.	812.	942.	1,582.
	78"	1 1/4"	28 1/2"	<b>YBPTSSFESN2878( )</b>	543.	877.	1,017.	1,708.
	84"	1 1/4"	28 1/2"	<b>YBPTSSFESN2884( )</b>	594.	943.	1,093.	1,837.



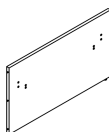
Telescope Back Panel for Single Sided Standard Electric Base, Left Side End Panel Connection, Desk Height	48"	1 1/4"	28 1/2"	<b>YBPTSSFESL2848( )</b>	482.	682.	787.	1,266.
	54"	1 1/4"	28 1/2"	<b>YBPTSSFESL2854( )</b>	492.	695.	802.	1,290.
	60"	1 1/4"	28 1/2"	<b>YBPTSSFESL2860( )</b>	513.	770.	883.	1,421.
	66"	1 1/4"	28 1/2"	<b>YBPTSSFESL2866( )</b>	533.	796.	915.	1,502.
	72"	1 1/4"	28 1/2"	<b>YBPTSSFESL2872( )</b>	543.	863.	993.	1,633.
	78"	1 1/4"	28 1/2"	<b>YBPTSSFESL2878( )</b>	594.	928.	1,068.	1,759.
	84"	1 1/4"	28 1/2"	<b>YBPTSSFESL2884( )</b>	645.	994.	1,144.	1,888.



Telescope Back Panel for Single Sided Standard Electric Base, Right Side End Panel Connection, Desk Height	48"	1 1/4"	28 1/2"	<b>YBPTSSFESR2848( )</b>	482.	682.	787.	1,266.
	54"	1 1/4"	28 1/2"	<b>YBPTSSFESR2854( )</b>	492.	695.	802.	1,290.
	60"	1 1/4"	28 1/2"	<b>YBPTSSFESR2860( )</b>	513.	770.	883.	1,421.
	66"	1 1/4"	28 1/2"	<b>YBPTSSFESR2866( )</b>	533.	796.	915.	1,502.
	72"	1 1/4"	28 1/2"	<b>YBPTSSFESR2872( )</b>	543.	863.	993.	1,633.
	78"	1 1/4"	28 1/2"	<b>YBPTSSFESR2878( )</b>	594.	928.	1,068.	1,759.
	84"	1 1/4"	28 1/2"	<b>YBPTSSFESR2884( )</b>	645.	994.	1,144.	1,888.



Telescope Back Panel for Single Sided Standard Electric Base, Surround - End Panel Connection both sides, Desk Height	48"	1 1/4"	28 1/2"	<b>YBPTSSFESS2848( )</b>	533.	733.	837.	1,316.
	54"	1 1/4"	28 1/2"	<b>YBPTSSFESS2854( )</b>	543.	746.	853.	1,341.
	60"	1 1/4"	28 1/2"	<b>YBPTSSFESS2860( )</b>	563.	821.	934.	1,472.
	66"	1 1/4"	28 1/2"	<b>YBPTSSFESS2866( )</b>	584.	847.	965.	1,553.
	72"	1 1/4"	28 1/2"	<b>YBPTSSFESS2872( )</b>	594.	914.	1,043.	1,684.
	78"	1 1/4"	28 1/2"	<b>YBPTSSFESS2878( )</b>	645.	978.	1,119.	1,810.
	84"	1 1/4"	28 1/2"	<b>YBPTSSFESS2884( )</b>	695.	1,044.	1,195.	1,939.



#### Ordering Information

##### Telescope Back Panels for Single Sided Tables

1. Pattern Number
2. Surface Finish

#### Order Code

##### Telescope Back Panels for Single Sided Tables

*Example:* **YBPTSSFESN2848L, 118**

<b>YBPT</b>	Telescope Back Panel
<b>SSFES</b>	Single Sided Standard Electric
<b>N</b>	No end panel connections
<b>28</b>	Height
<b>48</b>	Width
<b>L</b>	Laminate
<b>118</b>	Bright White Laminate

#### Included With

##### Telescope Back Panels for Single Sided Tables

Glides

#### Options

##### Telescope Back Panels for Single Sided Tables

#### Finish Options:

(L) = Laminate  
(V) = Veneer

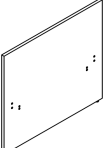
Back Panels specified in patterned or woodgrain laminate have vertical grain direction up to 54" wide and horizontal grain direction for back panels 60" or wider.

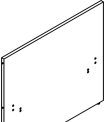
Back Panels specified in veneer have vertical grain direction for all sizes.

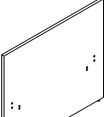
# Antenna Telescope Back Panels

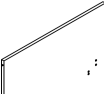
## For Single Sided Standard Electric Bases

### Laminate or Veneer, 42"H

description	w	d	h	pattern no.	Laminate (L)	V1(V)	V2(V)	V3(V)
 Telescope Back Panel for Single Sided Standard Electric Base, No End Panel Connection, 42"H	48"	1 1/4"	42"	<b>YBPTSSFESN4248( )</b>	\$675.	\$794.	\$924.	\$1,616.
	54"	1 1/4"	42"	<b>YBPTSSFESN4254( )</b>	685.	810.	943.	1,648.
	60"	1 1/4"	42"	<b>YBPTSSFESN4260( )</b>	736.	855.	997.	1,775.
	66"	1 1/4"	42"	<b>YBPTSSFESN4266( )</b>	812.	889.	1,040.	1,891.
	72"	1 1/4"	42"	<b>YBPTSSFESN4272( )</b>	832.	969.	1,134.	2,061.
	78"	1 1/4"	42"	<b>YBPTSSFESN4278( )</b>	908.	1,046.	1,225.	2,226.
	84"	1 1/4"	42"	<b>YBPTSSFESN4284( )</b>	985.	1,126.	1,316.	2,393.

 Telescope Back Panel for Single Sided Standard Electric Base, Left Side End Panel Connection, 42"H	48"	1 1/4"	42"	<b>YBPTSSFESL4248( )</b>	726.	844.	974.	1,667.
	54"	1 1/4"	42"	<b>YBPTSSFESL4254( )</b>	736.	861.	994.	1,699.
	60"	1 1/4"	42"	<b>YBPTSSFESL4260( )</b>	787.	905.	1,047.	1,826.
	66"	1 1/4"	42"	<b>YBPTSSFESL4266( )</b>	863.	940.	1,091.	1,942.
	72"	1 1/4"	42"	<b>YBPTSSFESL4272( )</b>	883.	1,020.	1,185.	2,112.
	78"	1 1/4"	42"	<b>YBPTSSFESL4278( )</b>	959.	1,097.	1,276.	2,277.
	84"	1 1/4"	42"	<b>YBPTSSFESL4284( )</b>	1,035.	1,176.	1,367.	2,444.

 Telescope Back Panel for Single Sided Standard Electric Base, Right Side End Panel Connection, 42"H	48"	1 1/4"	42"	<b>YBPTSSFESR4248( )</b>	726.	844.	974.	1,667.
	54"	1 1/4"	42"	<b>YBPTSSFESR4254( )</b>	736.	861.	994.	1,699.
	60"	1 1/4"	42"	<b>YBPTSSFESR4260( )</b>	787.	905.	1,047.	1,826.
	66"	1 1/4"	42"	<b>YBPTSSFESR4266( )</b>	863.	940.	1,091.	1,942.
	72"	1 1/4"	42"	<b>YBPTSSFESR4272( )</b>	883.	1,020.	1,185.	2,112.
	78"	1 1/4"	42"	<b>YBPTSSFESR4278( )</b>	959.	1,097.	1,276.	2,277.
	84"	1 1/4"	42"	<b>YBPTSSFESR4284( )</b>	1,035.	1,176.	1,367.	2,444.

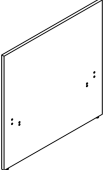
 Telescope Back Panel for Single Sided Standard Electric Base, Surround - End Panel Connection both sides, 42"H	48"	1 1/4"	42"	<b>YBPTSSFESS4248( )</b>	776.	895.	1,025.	1,717.
	54"	1 1/4"	42"	<b>YBPTSSFESS4254( )</b>	787.	911.	1,044.	1,750.
	60"	1 1/4"	42"	<b>YBPTSSFESS4260( )</b>	837.	956.	1,098.	1,877.
	66"	1 1/4"	42"	<b>YBPTSSFESS4266( )</b>	914.	991.	1,142.	1,992.
	72"	1 1/4"	42"	<b>YBPTSSFESS4272( )</b>	934.	1,071.	1,235.	2,163.
	78"	1 1/4"	42"	<b>YBPTSSFESS4278( )</b>	1,010.	1,148.	1,327.	2,327.
	84"	1 1/4"	42"	<b>YBPTSSFESS4284( )</b>	1,086.	1,227.	1,418.	2,495.

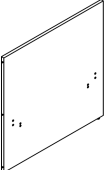
Ordering Information	Order Code	Included With	Options
<b>Back Panels for Single Sided Tables</b> 1. Pattern Number 2. Surface Finish	<b>Telescope Back Panels for Single Sided Tables</b> <i>Example:</i> <b>YBPTSSFESN2848L, 118</b> <b>YBPT</b> Telescope Back Panel <b>SSFES</b> Single Sided Standard Electric <b>N</b> No end panel connections <b>28</b> Height <b>48</b> Width <b>L</b> Laminate <b>118</b> Bright White Laminate	<b>Telescope Back Panels for Single Sided Tables</b> Glides	<b>Telescope Back Panels for Single Sided Tables</b> <b>Finish Options:</b> (L) = Laminate (V) = Veneer Back Panels specified in patterned or woodgrain laminate have vertical grain direction up to 54" wide and horizontal grain direction for back panels 60" or wider. Back Panels specified in veneer have vertical grain direction for all sizes.

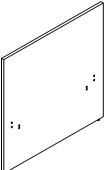
# Antenna Telescope Back Panels

## For Single Sided Standard Electric Bases

### Laminate or Veneer, 49"H

description	w	d	h	pattern no.	Laminate (L)	V1(V)	V2(V)	V3(V)
Telescope Back Panel for Single Sided Standard Electric Base, No End Panel Connection, 49"H 	48"	1 1/4"	49"	<b>YBPTSSFESN4948( )</b>	\$776.	\$865.	\$1,007.	\$1,807.
	54"	1 1/4"	49"	<b>YBPTSSFESN4954( )</b>	787.	882.	1,027.	1,843.
	60"	1 1/4"	49"	<b>YBPTSSFESN4960( )</b>	837.	923.	1,079.	1,978.
	66"	1 1/4"	49"	<b>YBPTSSFESN4966( )</b>	914.	963.	1,130.	2,112.
	72"	1 1/4"	49"	<b>YBPTSSFESN4972( )</b>	939.	1,050.	1,231.	2,302.
	78"	1 1/4"	49"	<b>YBPTSSFESN4978( )</b>	1,020.	1,134.	1,330.	2,487.
	84"	1 1/4"	49"	<b>YBPTSSFESN4984( )</b>	1,101.	1,219.	1,429.	2,672.

Telescope Back Panel for Single Sided Standard Electric Base, Left Side End Panel Connection, 49"H 	48"	1 1/4"	49"	<b>YBPTSSFESL4948( )</b>	827.	916.	1,058.	1,857.
	54"	1 1/4"	49"	<b>YBPTSSFESL4954( )</b>	837.	933.	1,078.	1,894.
	60"	1 1/4"	49"	<b>YBPTSSFESL4960( )</b>	888.	973.	1,130.	2,029.
	66"	1 1/4"	49"	<b>YBPTSSFESL4966( )</b>	964.	1,014.	1,180.	2,163.
	72"	1 1/4"	49"	<b>YBPTSSFESL4972( )</b>	990.	1,100.	1,282.	2,353.
	78"	1 1/4"	49"	<b>YBPTSSFESL4978( )</b>	1,071.	1,185.	1,380.	2,538.
	84"	1 1/4"	49"	<b>YBPTSSFESL4984( )</b>	1,152.	1,270.	1,480.	2,723.

Telescope Back Panel for Single Sided Standard Electric Base, Right Side End Panel Connection, 49"H 	48"	1 1/4"	49"	<b>YBPTSSFESR4948( )</b>	827.	916.	1,058.	1,857.
	54"	1 1/4"	49"	<b>YBPTSSFESR4954( )</b>	837.	933.	1,078.	1,894.
	60"	1 1/4"	49"	<b>YBPTSSFESR4960( )</b>	888.	973.	1,130.	2,029.
	66"	1 1/4"	49"	<b>YBPTSSFESR4966( )</b>	964.	1,014.	1,180.	2,163.
	72"	1 1/4"	49"	<b>YBPTSSFESR4972( )</b>	990.	1,100.	1,282.	2,353.
	78"	1 1/4"	49"	<b>YBPTSSFESR4978( )</b>	1,071.	1,185.	1,380.	2,538.
	84"	1 1/4"	49"	<b>YBPTSSFESR4984( )</b>	1,152.	1,270.	1,480.	2,723.

#### Ordering Information

##### Back Panels for Single Sided Tables

1. Pattern Number
2. Surface Finish

#### Order Code

##### Telescope Back Panels for Single Sided Tables

*Example:* **YBPTSSFESN2848L, 118**

<b>YBPT</b>	Telescope Back Panel
<b>SSFES</b>	Single Sided Standard Electric
<b>N</b>	No end panel connections
<b>28</b>	Height
<b>48</b>	Width
<b>L</b>	Laminate
<b>118</b>	Bright White Laminate

#### Included With

##### Telescope Back Panels for Single Sided Tables

Glides

#### Options

##### Telescope Back Panels for Single Sided Tables

##### Finish Options:

(L) = Laminate  
(V) = Veneer

Back Panels specified in patterned or woodgrain laminate have vertical grain direction up to 54" wide and horizontal grain direction for back panels 60" or wider.

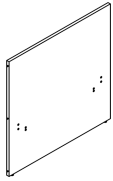
Back Panels specified in veneer have vertical grain direction for all sizes.

# Antenna Telescope Back Panels

## For Single Sided Standard Electric Bases

### Laminate or Veneer, 49"H

description	w	d	h	pattern no.	Laminate (L)	V1(V)	V2(V)	V3(V)
Telescope Back Panel for Single Sided Standard Electric Base, Surround - End Panel Connection both sides, 49"H	48"	1 1/4"	49"	<b>YBPTSSFESS4948( )</b>	\$878.	\$966.	\$1,108.	\$1,908.
	54"	1 1/4"	49"	<b>YBPTSSFESS4954( )</b>	888.	984.	1,129.	1,945.
	60"	1 1/4"	49"	<b>YBPTSSFESS4960( )</b>	939.	1,024.	1,180.	2,080.
	66"	1 1/4"	49"	<b>YBPTSSFESS4966( )</b>	1,015.	1,065.	1,231.	2,214.
	72"	1 1/4"	49"	<b>YBPTSSFESS4972( )</b>	1,040.	1,151.	1,333.	2,404.
	78"	1 1/4"	49"	<b>YBPTSSFESS4978( )</b>	1,122.	1,235.	1,431.	2,588.
	84"	1 1/4"	49"	<b>YBPTSSFESS4984( )</b>	1,203.	1,321.	1,531.	2,774.



Antenna Telescope

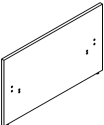
Ordering Information	Order Code	Included With	Options
<b>Back Panels for Single Sided Tables</b> 1. Pattern Number 2. Surface Finish	<b>Telescope Back Panels for Single Sided Tables</b> <hr/> <i>Example:</i> <b>YBPTSSFESN2848L, 118</b> <hr/> <b>YBPT</b> Telescope Back Panel <hr/> <b>SSFES</b> Single Sided Standard Electric <hr/> <b>N</b> No end panel connections <hr/> <b>28</b> Height <hr/> <b>48</b> Width <hr/> <b>L</b> Laminate <hr/> <b>118</b> Bright White Laminate	<b>Telescope Back Panels for Single Sided Tables</b> Glides	<b>Telescope Back Panels for Single Sided Tables</b> <b>Finish Options:</b> (L) = Laminate (V) = Veneer  Back Panels specified in patterned or woodgrain laminate have vertical grain direction up to 54" wide and horizontal grain direction for back panels 60" or wider.  Back Panels specified in veneer have vertical grain direction for all sizes.

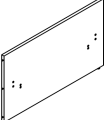


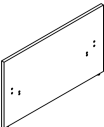
# Antenna Telescope Back Panels


## For Single Sided Extended Electric Bases

### Laminate or Veneer, 28 1/2" H

description	w	d	h	pattern no.	Laminate (L)	V1(V)	V2(V)	V3(V)
Telescope Back Panel for Single Sided Extended Electric Base, No End Panel Connection, Desk Height 	48"	1 1/4"	28 1/2"	<b>YBPTSSFEXN2848( )</b>	\$431.	\$631.	\$736.	\$1,215.
	54"	1 1/4"	28 1/2"	<b>YBPTSSFEXN2854( )</b>	442.	645.	751.	1,239.
	60"	1 1/4"	28 1/2"	<b>YBPTSSFEXN2860( )</b>	462.	720.	832.	1,370.
	66"	1 1/4"	28 1/2"	<b>YBPTSSFEXN2866( )</b>	482.	745.	864.	1,451.
	72"	1 1/4"	28 1/2"	<b>YBPTSSFEXN2872( )</b>	492.	812.	942.	1,582.
	78"	1 1/4"	28 1/2"	<b>YBPTSSFEXN2878( )</b>	543.	877.	1,017.	1,708.
	84"	1 1/4"	28 1/2"	<b>YBPTSSFEXN2884( )</b>	594.	943.	1,093.	1,837.

Telescope Back Panel for Single Sided Extended Electric Base, Left Side End Panel Connection, Desk Height 	48"	1 1/4"	28 1/2"	<b>YBPTSSFEXL2848( )</b>	482.	682.	787.	1,266.
	54"	1 1/4"	28 1/2"	<b>YBPTSSFEXL2854( )</b>	492.	695.	802.	1,290.
	60"	1 1/4"	28 1/2"	<b>YBPTSSFEXL2860( )</b>	513.	770.	883.	1,421.
	66"	1 1/4"	28 1/2"	<b>YBPTSSFEXL2866( )</b>	533.	796.	915.	1,502.
	72"	1 1/4"	28 1/2"	<b>YBPTSSFEXL2872( )</b>	543.	863.	993.	1,633.
	78"	1 1/4"	28 1/2"	<b>YBPTSSFEXL2878( )</b>	594.	928.	1,068.	1,759.
	84"	1 1/4"	28 1/2"	<b>YBPTSSFEXL2884( )</b>	645.	994.	1,144.	1,888.

Telescope Back Panel for Single Sided Extended Electric Base, Right Side End Panel Connection, Desk Height 	48"	1 1/4"	28 1/2"	<b>YBPTSSFEXR2848( )</b>	482.	682.	787.	1,266.
	54"	1 1/4"	28 1/2"	<b>YBPTSSFEXR2854( )</b>	492.	695.	802.	1,290.
	60"	1 1/4"	28 1/2"	<b>YBPTSSFEXR2860( )</b>	513.	770.	883.	1,421.
	66"	1 1/4"	28 1/2"	<b>YBPTSSFEXR2866( )</b>	533.	796.	915.	1,502.
	72"	1 1/4"	28 1/2"	<b>YBPTSSFEXR2872( )</b>	543.	863.	993.	1,633.
	78"	1 1/4"	28 1/2"	<b>YBPTSSFEXR2878( )</b>	594.	928.	1,068.	1,759.
	84"	1 1/4"	28 1/2"	<b>YBPTSSFEXR2884( )</b>	645.	994.	1,144.	1,888.

Telescope Back Panel for Single Sided Extended Electric Base, Surround - End Panel Connection both sides, Desk Height 	48"	1 1/4"	28 1/2"	<b>YBPTSSFEXS2848( )</b>	533.	733.	837.	1,316.
	54"	1 1/4"	28 1/2"	<b>YBPTSSFEXS2854( )</b>	543.	746.	853.	1,341.
	60"	1 1/4"	28 1/2"	<b>YBPTSSFEXS2860( )</b>	563.	821.	934.	1,472.
	66"	1 1/4"	28 1/2"	<b>YBPTSSFEXS2866( )</b>	584.	847.	965.	1,553.
	72"	1 1/4"	28 1/2"	<b>YBPTSSFEXS2872( )</b>	594.	914.	1,043.	1,684.
	78"	1 1/4"	28 1/2"	<b>YBPTSSFEXS2878( )</b>	645.	978.	1,119.	1,810.
	84"	1 1/4"	28 1/2"	<b>YBPTSSFEXS2884( )</b>	695.	1,044.	1,195.	1,939.

#### Ordering Information

##### Back Panels for Single Sided Tables

1. Pattern Number
2. Surface Finish

#### Order Code

##### Telescope Back Panels for Single Sided Tables

*Example:* **YBPTSSFESN2848L, 118**

<b>YBPT</b>	Telescope Back Panel
<b>SSFES</b>	Single Sided Standard Electric
<b>N</b>	No end panel connections
<b>28</b>	Height
<b>48</b>	Width
<b>L</b>	Laminate
<b>118</b>	Bright White Laminate

#### Included With

##### Telescope Back Panels for Single Sided Tables

Glides

#### Options

##### Telescope Back Panels for Single Sided Tables

###### Finish Options:

(L) = Laminate  
(V) = Veneer

Back Panels specified in patterned or woodgrain laminate have vertical grain direction up to 54" wide and horizontal grain direction for back panels 60" or wider.

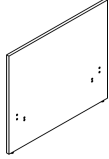
Back Panels specified in veneer have vertical grain direction for all sizes.

# Antenna Telescope Back Panels

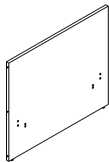
## For Single Sided Extended Electric Bases

### Laminate or Veneer, 42"H

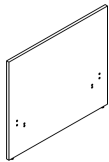
description	w	d	h	pattern no.	Laminate (L)	V1(V)	V2(V)	V3(V)
Telescope Back Panel for Single Sided Extended Electric Base, No End Panel Connection, 42"H	48"	1 1/4"	42"	<b>YBPTSSFEXN4248( )</b>	\$675.	\$794.	\$924.	\$1,616.
	54"	1 1/4"	42"	<b>YBPTSSFEXN4254( )</b>	685.	810.	943.	1,648.
	60"	1 1/4"	42"	<b>YBPTSSFEXN4260( )</b>	736.	855.	997.	1,775.
	66"	1 1/4"	42"	<b>YBPTSSFEXN4266( )</b>	812.	889.	1,040.	1,891.
	72"	1 1/4"	42"	<b>YBPTSSFEXN4272( )</b>	832.	969.	1,134.	2,061.
	78"	1 1/4"	42"	<b>YBPTSSFEXN4278( )</b>	908.	1,046.	1,225.	2,226.
	84"	1 1/4"	42"	<b>YBPTSSFEXN4284( )</b>	985.	1,126.	1,316.	2,393.



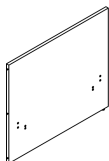
Telescope Back Panel for Single Sided Extended Electric Base, Left Side End Panel Connection, 42"H	48"	1 1/4"	42"	<b>YBPTSSFEXL4248( )</b>	726.	844.	974.	1,667.
	54"	1 1/4"	42"	<b>YBPTSSFEXL4254( )</b>	736.	861.	994.	1,699.
	60"	1 1/4"	42"	<b>YBPTSSFEXL4260( )</b>	787.	905.	1,047.	1,826.
	66"	1 1/4"	42"	<b>YBPTSSFEXL4266( )</b>	863.	940.	1,091.	1,942.
	72"	1 1/4"	42"	<b>YBPTSSFEXL4272( )</b>	883.	1,020.	1,185.	2,112.
	78"	1 1/4"	42"	<b>YBPTSSFEXL4278( )</b>	959.	1,097.	1,276.	2,277.
	84"	1 1/4"	42"	<b>YBPTSSFEXL4284( )</b>	1,035.	1,176.	1,367.	2,444.



Telescope Back Panel for Single Sided Extended Electric Base, Right Side End Panel Connection, 42"H	48"	1 1/4"	42"	<b>YBPTSSFEXR4248( )</b>	726.	844.	974.	1,667.
	54"	1 1/4"	42"	<b>YBPTSSFEXR4254( )</b>	736.	861.	994.	1,699.
	60"	1 1/4"	42"	<b>YBPTSSFEXR4260( )</b>	787.	905.	1,047.	1,826.
	66"	1 1/4"	42"	<b>YBPTSSFEXR4266( )</b>	863.	940.	1,091.	1,942.
	72"	1 1/4"	42"	<b>YBPTSSFEXR4272( )</b>	883.	1,020.	1,185.	2,112.
	78"	1 1/4"	42"	<b>YBPTSSFEXR4278( )</b>	959.	1,097.	1,276.	2,277.
	84"	1 1/4"	42"	<b>YBPTSSFEXR4284( )</b>	1,035.	1,176.	1,367.	2,444.



Telescope Back Panel for Single Sided Extended Electric Base, Surround - End Panel Connection both sides, 42"H	48"	1 1/4"	42"	<b>YBPTSSFEXS4248( )</b>	776.	895.	1,025.	1,717.
	54"	1 1/4"	42"	<b>YBPTSSFEXS4254( )</b>	787.	911.	1,044.	1,750.
	60"	1 1/4"	42"	<b>YBPTSSFEXS4260( )</b>	837.	956.	1,098.	1,877.
	66"	1 1/4"	42"	<b>YBPTSSFEXS4266( )</b>	914.	991.	1,142.	1,992.
	72"	1 1/4"	42"	<b>YBPTSSFEXS4272( )</b>	934.	1,071.	1,235.	2,163.
	78"	1 1/4"	42"	<b>YBPTSSFEXS4278( )</b>	1,010.	1,148.	1,327.	2,327.
	84"	1 1/4"	42"	<b>YBPTSSFEXS4284( )</b>	1,086.	1,227.	1,418.	2,495.

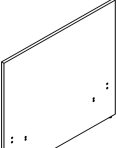


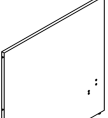
Ordering Information	Order Code	Included With	Options
<b>Back Panels for Single Sided Tables</b> 1. Pattern Number 2. Surface Finish	<b>Telescope Back Panels for Single Sided Tables</b> <i>Example:</i> <b>YBPTSSFESN2848L, 118</b> <b>YBPT</b> Telescope Back Panel <b>SSFES</b> Single Sided Standard Electric <b>N</b> No end panel connections <b>28</b> Height <b>48</b> Width <b>L</b> Laminate <b>118</b> Bright White Laminate	<b>Telescope Back Panels for Single Sided Tables</b> Glides	<b>Telescope Back Panels for Single Sided Tables</b> <b>Finish Options:</b> (L) = Laminate (V) = Veneer Back Panels specified in patterned or woodgrain laminate have vertical grain direction up to 54" wide and horizontal grain direction for back panels 60" or wider. Back Panels specified in veneer have vertical grain direction for all sizes.

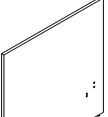
# Antenna Telescope Back Panels

## For Single Sided Extended Electric Bases

### Laminate or Veneer, 49"H

description	w	d	h	pattern no.	Laminate (L)	V1(V)	V2(V)	V3(V)
 Telescope Back Panel for Single Sided Extended Electric Base, No End Panel Connection, 49"H	48"	1 1/4"	49"	<b>YBPTSSFEXN4948( )</b>	\$776.	\$865.	\$1,007.	\$1,807.
	54"	1 1/4"	49"	<b>YBPTSSFEXN4954( )</b>	787.	882.	1,027.	1,843.
	60"	1 1/4"	49"	<b>YBPTSSFEXN4960( )</b>	837.	923.	1,079.	1,978.
	66"	1 1/4"	49"	<b>YBPTSSFEXN4966( )</b>	914.	963.	1,130.	2,112.
	72"	1 1/4"	49"	<b>YBPTSSFEXN4972( )</b>	939.	1,050.	1,231.	2,302.
	78"	1 1/4"	49"	<b>YBPTSSFEXN4978( )</b>	1,020.	1,134.	1,330.	2,487.
	84"	1 1/4"	49"	<b>YBPTSSFEXN4984( )</b>	1,101.	1,219.	1,429.	2,672.

 Telescope Back Panel for Single Sided Extended Electric Base, Left Side End Panel Connection, 49"H	48"	1 1/4"	49"	<b>YBPTSSFEXL4948( )</b>	827.	916.	1,058.	1,857.
	54"	1 1/4"	49"	<b>YBPTSSFEXL4954( )</b>	837.	933.	1,078.	1,894.
	60"	1 1/4"	49"	<b>YBPTSSFEXL4960( )</b>	888.	973.	1,130.	2,029.
	66"	1 1/4"	49"	<b>YBPTSSFEXL4966( )</b>	964.	1,014.	1,180.	2,163.
	72"	1 1/4"	49"	<b>YBPTSSFEXL4972( )</b>	990.	1,100.	1,282.	2,353.
	78"	1 1/4"	49"	<b>YBPTSSFEXL4978( )</b>	1,071.	1,185.	1,380.	2,538.
	84"	1 1/4"	49"	<b>YBPTSSFEXL4984( )</b>	1,152.	1,270.	1,480.	2,723.

 Telescope Back Panel for Single Sided Extended Electric Base, Right Side End Panel Connection, 49"H	48"	1 1/4"	49"	<b>YBPTSSFEXR4948( )</b>	827.	916.	1,058.	1,857.
	54"	1 1/4"	49"	<b>YBPTSSFEXR4954( )</b>	837.	933.	1,078.	1,894.
	60"	1 1/4"	49"	<b>YBPTSSFEXR4960( )</b>	888.	973.	1,130.	2,029.
	66"	1 1/4"	49"	<b>YBPTSSFEXR4966( )</b>	964.	1,014.	1,180.	2,163.
	72"	1 1/4"	49"	<b>YBPTSSFEXR4972( )</b>	990.	1,100.	1,282.	2,353.
	78"	1 1/4"	49"	<b>YBPTSSFEXR4978( )</b>	1,071.	1,185.	1,380.	2,538.
	84"	1 1/4"	49"	<b>YBPTSSFEXR4984( )</b>	1,152.	1,270.	1,480.	2,723.

#### Ordering Information

##### Back Panels for Single Sided Tables

1. Pattern Number
2. Surface Finish

#### Order Code

##### Telescope Back Panels for Single Sided Tables

*Example:* **YBPTSSFESN2848L, 118**

<b>YBPT</b>	Telescope Back Panel
<b>SSFES</b>	Single Sided Standard Electric
<b>N</b>	No end panel connections
<b>28</b>	Height
<b>48</b>	Width
<b>L</b>	Laminate
<b>118</b>	Bright White Laminate

#### Included With

##### Telescope Back Panels for Single Sided Tables

Glides

#### Options

##### Telescope Back Panels for Single Sided Tables

##### Finish Options:

(L) = Laminate  
(V) = Veneer

Back Panels specified in patterned or woodgrain laminate have vertical grain direction up to 54" wide and horizontal grain direction for back panels 60" or wider.

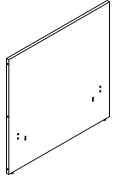
Back Panels specified in veneer have vertical grain direction for all sizes.

# Antenna Telescope Back Panels

## For Single Sided Extended Electric Bases

### Laminate or Veneer, 49"H

description	w	d	h	pattern no.	Laminate (L)	V1(V)	V2(V)	V3(V)
Telescope Back Panel for Single Sided Extended Electric Base,	48"	1 1/4"	49"	<b>YBPTSSFEXS4948( )</b>	\$878.	\$966.	\$1,108.	\$1,908.
Surround - End Panel Connection both sides,	54"	1 1/4"	49"	<b>YBPTSSFEXS4954( )</b>	888.	984.	1,129.	1,945.
49"H	60"	1 1/4"	49"	<b>YBPTSSFEXS4960( )</b>	939.	1,024.	1,180.	2,080.
	66"	1 1/4"	49"	<b>YBPTSSFEXS4966( )</b>	1,015.	1,065.	1,231.	2,214.
	72"	1 1/4"	49"	<b>YBPTSSFEXS4972( )</b>	1,040.	1,151.	1,333.	2,404.
	78"	1 1/4"	49"	<b>YBPTSSFEXS4978( )</b>	1,122.	1,235.	1,431.	2,588.
	84"	1 1/4"	49"	<b>YBPTSSFEXS4984( )</b>	1,203.	1,321.	1,531.	2,774.



Ordering Information	Order Code	Included With	Options
<b>Back Panels for Single Sided Tables</b> 1. Pattern Number 2. Surface Finish	<b>Telescope Back Panels for Single Sided Tables</b> <hr/> <i>Example:</i> <b>YBPTSSFESN2848L, 118</b> <hr/> <b>YBPT</b> Telescope Back Panel <hr/> <b>SSFES</b> Single Sided Standard Electric <hr/> <b>N</b> No end panel connections <hr/> <b>28</b> Height <hr/> <b>48</b> Width <hr/> <b>L</b> Laminate <hr/> <b>118</b> Bright White Laminate	<b>Telescope Back Panels for Single Sided Tables</b> Glides	<b>Telescope Back Panels for Single Sided Tables</b> <b>Finish Options:</b> (L) = Laminate (V) = Veneer  Back Panels specified in patterned or woodgrain laminate have vertical grain direction up to 54" wide and horizontal grain direction for back panels 60" or wider.  Back Panels specified in veneer have vertical grain direction for all sizes.

# Antenna Telescope 120° Triad

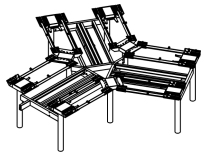
## Standard Electric

### With Beam and Dual Utility Trays

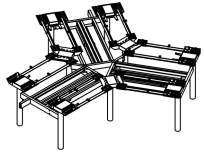
description	type	w	d	pattern no.	list
Telescope Base, Height Adjustable, Standard Electric with Beam and Dual Trays, No Crossbar Connection	For use in standalone triad applications	48"		<b>YBTYESBTN48</b>	\$16,113.
	For use in standalone triad applications	54"		<b>YBTYESBTN54</b>	16,139.
	For use in standalone triad applications	60"		<b>YBTYESBTN60</b>	16,240.



Telescope Base, Height Adjustable, Standard Electric with Beam and Dual Trays, 1 Crossbar Connection	For use in triad applications with one end connection	48"		<b>YBTYESBT148</b>	16,113.
	For use in triad applications with one end connection	54"		<b>YBTYESBT154</b>	16,139.
	For use in triad applications with one end connection	60"		<b>YBTYESBT160</b>	16,240.



Telescope Base, Height Adjustable, Standard Electric with Beam and Dual Trays, 2 Crossbar Connections	For use in triad applications with two end connection	48"		<b>YBTYESBT248</b>	16,113.
	For use in triad applications with two end connection	54"		<b>YBTYESBT254</b>	16,139.
	For use in triad applications with two end connection	60"		<b>YBTYESBT260</b>	16,240.



#### Ordering Information

##### Antenna Telescope 120° Triad

1. Pattern Number
2. Control Switch
3. Base Paint Finish

#### Order Code

##### Antenna Telescope 120° Triad

*Example:* **YBTYESBT148, D, 118T**

<b>YBTY</b>	Antenna Telescope 120° Triad
<b>ES</b>	Standard Electric
<b>BT</b>	With Beam and Trays
<b>1</b>	1 Connection
<b>60</b>	Width
<b>118T</b>	Bright White Paint

#### Included With

##### Antenna Telescope 120° Triad

Column  
Center Beam  
Dual Trays  
Rails  
Connecting Hardware

#### Options

##### Antenna Telescope 120° Triad

#### Control Switch Options

(S) = Standard up/down control switch  
(D) = Digital Display with programmable settings. Add \$954 list for the digital display selection.  
(TR) = Toggle Switch, Red.  
(TG) = Toggle Switch, Grey. Add \$300 list for "Toggle Switch option".

# Antenna Telescope 120° Triad

## Standard Electric

### With Beam and Dual Utility Trays

description	type	w	d	pattern no.	list
Telescope Base, Height Adjustable, Standard Electric with Beam and Dual Trays, 3 Crossbar Connections	For use in triad applications with three end connection	48"		<b>YBTYESBT348</b>	\$16,113.
	For use in triad applications with three end connection	54"		<b>YBTYESBT354</b>	16,139.
	For use in triad applications with three end connection	60"		<b>YBTYESBT360</b>	16,240.



#### Ordering Information

##### Antenna Telescope 120° Triad

1. Pattern Number
2. Control Switch
3. Base Paint Finish

#### Order Code

##### Antenna Telescope 120° Triad

*Example:* **YBTYESBT148, D, 118T**

<b>YBTY</b>	Antenna Telescope 120° Triad
<b>ES</b>	Standard Electric
<b>BT</b>	With Beam and Trays
<b>1</b>	1 Connection
<b>60</b>	Width
<b>118T</b>	Bright White Paint

#### Included With

##### Antenna Telescope 120° Triad

Column  
Center Beam  
Dual Trays  
Rails  
Connecting Hardware

#### Options

##### Antenna Telescope 120° Triad

#### Control Switch Options

(S) = Standard up/down control switch  
(D) = Digital Display with programmable settings. Add \$954 list for the digital display selection.  
(TR) = Toggle Switch, Red.  
(TG) = Toggle Switch, Grey. Add \$300 list for "Toggle Switch option".

# Antenna Telescope 120° Triad

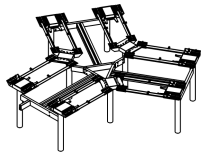
## Standard Electric

### With Beam Only

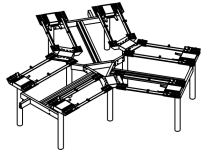
description	type	w	d	pattern no.	list
Telescope Base, Height Adjustable, Standard Electric with Beam, No Crossbar Connection	For use in standalone triad applications	48"		<b>YBTYESBNN48</b>	\$14,596.
	For use in standalone triad applications	54"		<b>YBTYESBNN54</b>	14,718.
	For use in standalone triad applications	60"		<b>YBTYESBNN60</b>	14,819.



Telescope Base, Height Adjustable, Standard Electric with Beam, 1 Crossbar Connection	For use in triad applications with one end connection	48"		<b>YBTYESBN148</b>	14,596.
	For use in triad applications with one end connection	54"		<b>YBTYESBN154</b>	14,718.
	For use in triad applications with one end connection	60"		<b>YBTYESBN160</b>	14,819.



Telescope Base, Height Adjustable, Standard Electric with Beam, 2 Crossbar Connections	For use in triad applications with two end connection	48"		<b>YBTYESBN248</b>	14,596.
	For use in triad applications with two end connection	54"		<b>YBTYESBN254</b>	14,718.
	For use in triad applications with two end connection	60"		<b>YBTYESBN260</b>	14,819.



#### Ordering Information

##### Antenna Telescope 120° Triad

1. Pattern Number
2. Control Switch
3. Base Paint Finish

#### Order Code

##### Antenna Telescope 120° Triad

*Example:* **YBTYESBN148, D, 118T**

**YBTY** Antenna Telescope 120° Triad

**ES** Standard Electric

**BN** With Beam

**1** 1 Connection

**60** Width

**118T** Bright White Paint

#### Included With

##### Antenna Telescope 120° Triad

Column  
Center Beam  
Dual Trays  
Rails  
Connecting Hardware

#### Options

##### Antenna Telescope 120° Triad

#### Control Switch Options

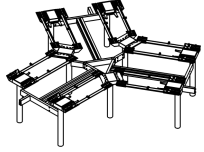
(S) = Standard up/down control switch  
(D) = Digital Display with programmable settings. Add \$954 list for the digital display selection.  
(TR) = Toggle Switch, Red.  
(TG) = Toggle Switch, Grey. Add \$300 list for "Toggle Switch option".

# Antenna Telescope 120° Triad

## Standard Electric

### With Beam Only

description	type	w	d	pattern no.	list
Telescope Base, Height Adjustable, Standard Electric with Beam, 3 Crossbar Connections	For use in triad applications with three end connection	48"		<b>YBTYESBN348</b>	\$14,596.
	For use in triad applications with three end connection	54"		<b>YBTYESBN354</b>	14,718.
	For use in triad applications with three end connection	60"		<b>YBTYESBN360</b>	14,819.



#### Ordering Information

##### Antenna Telescope 120° Triad

1. Pattern Number
2. Control Switch
3. Base Paint Finish

#### Order Code

##### Antenna Telescope 120° Triad

*Example:* **YBTYESBN148, D, 118T**

**YBTY** Antenna Telescope 120° Triad

**ES** Standard Electric

**BN** With Beam

**1** 1 Connection

**60** Width

**118T** Bright White Paint

#### Included With

##### Antenna Telescope 120° Triad

Column  
Center Beam  
Dual Trays  
Rails  
Connecting Hardware

#### Options

##### Antenna Telescope 120° Triad

#### Control Switch Options

(S) = Standard up/down control switch  
(D) = Digital Display with programmable settings. Add \$954 list for the digital display selection.  
(TR) = Toggle Switch, Red.  
(TG) = Toggle Switch, Grey. Add \$300 list for "Toggle Switch option".

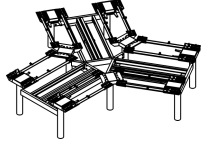


# Antenna Telescope 120° Triad

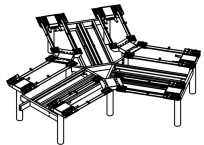
## *Extended Electric*

### *With Beam and Dual Utility Trays*

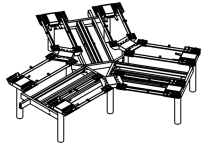
description	type	w	d	pattern no.	list
Telescope Base, Height Adjustable, Extended Electric with Beam and Dual Trays, No Crossbar Connection	For use in standalone triad applications	48"		<b>YBTYEXBTN48</b>	\$18,270.
	For use in standalone triad applications	54"		<b>YBTYEXBTN54</b>	18,397.
	For use in standalone triad applications	60"		<b>YBTYEXBTN60</b>	18,498.



Telescope Base, Height Adjustable, Extended Electric with Beam and Dual Trays, 1 Crossbar Connection	For use in triad applications with one end connection	48"		<b>YBTYEXBT148</b>	18,270.
	For use in triad applications with one end connection	54"		<b>YBTYEXBT154</b>	18,397.
	For use in triad applications with one end connection	60"		<b>YBTYEXBT160</b>	18,498.



Telescope Base, Height Adjustable, Extended Electric with Beam and Dual Trays, 2 Crossbar Connections	For use in triad applications with two end connection	48"		<b>YBTYEXBT248</b>	18,270.
	For use in triad applications with two end connection	54"		<b>YBTYEXBT254</b>	18,397.
	For use in triad applications with two end connection	60"		<b>YBTYEXBT260</b>	18,498.



#### Ordering Information

##### Antenna Telescope 120° Triad

1. Pattern Number
2. Control Switch
3. Base Paint Finish

#### Order Code

##### Antenna Telescope 120° Triad

*Example:* **YBTYEXBT148, D, 118T**

<b>YBTY</b>	Antenna Telescope 120° Triad
<b>EX</b>	Extended Electric
<b>BT</b>	With Beam and Trays
<b>1</b>	1 Connection
<b>60</b>	Width
<b>118T</b>	Bright White Paint

#### Included With

##### Antenna Telescope 120° Triad

Column  
Center Beam  
Dual Trays  
Rails  
Connecting Hardware

#### Options

##### Antenna Telescope 120° Triad

#### Control Switch Options

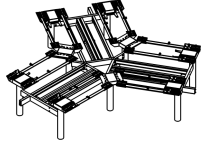
(S) = Standard up/down control switch  
(D) = Digital Display with programmable settings. Add \$954 list for the digital display selection.  
(TR) = Toggle Switch, Red.  
(TG) = Toggle Switch, Grey. Add \$300 list for "Toggle Switch option".

# Antenna Telescope 120° Triad

## *Extended Electric*

### *With Beam and Dual Utility Trays*

description	type	w	d	pattern no.	list
Telescope Base, Height Adjustable, Extended Electric with Beam and Dual Trays, 3 Crossbar Connections	For use in triad applications with three end connection	48"		<b>YBTYEXBT348</b>	\$18,270.
	For use in triad applications with three end connection	54"		<b>YBTYEXBT354</b>	18,397.
	For use in triad applications with three end connection	60"		<b>YBTYEXBT360</b>	18,498.



#### Ordering Information

##### Antenna Telescope 120° Triad

1. Pattern Number
2. Control Switch
3. Base Paint Finish

#### Order Code

##### Antenna Telescope 120° Triad

*Example:* **YBTYEXBT148, D, 118T**

<b>YBTY</b>	Antenna Telescope 120° Triad
<b>EX</b>	Extended Electric
<b>BT</b>	With Beam and Trays
<b>1</b>	1 Connection
<b>60</b>	Width
<b>118T</b>	Bright White Paint

#### Included With

##### Antenna Telescope 120° Triad

Column  
Center Beam  
Dual Trays  
Rails  
Connecting Hardware

#### Options

##### Antenna Telescope 120° Triad

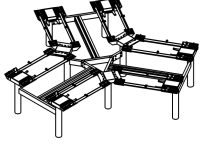
#### Control Switch Options

(S) = Standard up/down control switch  
(D) = Digital Display with programmable settings. Add \$954 list for the digital display selection.  
(TR) = Toggle Switch, Red.  
(TG) = Toggle Switch, Grey. Add \$300 list for "Toggle Switch option".

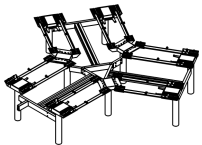
# Antenna Telescope 120° Triad

## *Extended Electric With Beam Only*

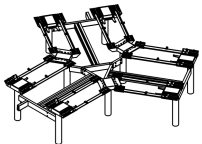
description	type	w	d	pattern no.	list
Telescope Base, Height Adjustable, Extended Electric with Beam, No Crossbar Connection	For use in standalone triad applications	48"		<b>YBTYEXBNN48</b>	\$16,768.
	For use in standalone triad applications	54"		<b>YBTYEXBNN54</b>	16,890.
	For use in standalone triad applications	60"		<b>YBTYEXBNN60</b>	16,991.



Telescope Base, Height Adjustable, Extended Electric with Beam, 1 Crossbar Connection	For use in triad applications with one end connection	48"		<b>YBTYEXBN148</b>	16,768.
	For use in triad applications with one end connection	54"		<b>YBTYEXBN154</b>	16,890.
	For use in triad applications with one end connection	60"		<b>YBTYEXBN160</b>	16,991.



Telescope Base, Height Adjustable, Extended Electric with Beam, 2 Crossbar Connections	For use in triad applications with two end connection	48"		<b>YBTYEXBN248</b>	16,768.
	For use in triad applications with two end connection	54"		<b>YBTYEXBN254</b>	16,890.
	For use in triad applications with two end connection	60"		<b>YBTYEXBN260</b>	16,991.



### Ordering Information

#### Antenna Telescope 120° Triad

1. Pattern Number
2. Control Switch
3. Base Paint Finish

### Order Code

#### Antenna Telescope 120° Triad

*Example:* **YBTYEXBN148, D, 118T**

<b>YBTY</b>	Antenna Telescope 120° Triad
<b>EX</b>	Extended Electric
<b>BN</b>	With Beam
<b>1</b>	1 Connection
<b>60</b>	Width
<b>118T</b>	Bright White Paint

### Included With

#### Antenna Telescope 120° Triad

Column  
Center Beam  
Dual Trays  
Rails  
Connecting Hardware

### Options

#### Antenna Telescope 120° Triad

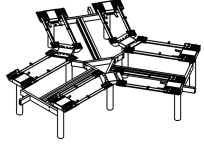
**Control Switch Options**  
(S) = Standard up/down control switch  
(D) = Digital Display with programmable settings. Add \$954 list for the digital display selection.  
(TR) = Toggle Switch, Red.  
(TG) = Toggle Switch, Grey. Add \$300 list for "Toggle Switch option".

# Antenna Telescope 120° Triad

## *Extended Electric With Beam Only*

Antenna Workspaces

description	type	w	d	pattern no.	list
Telescope Base, Height Adjustable, Extended Electric with Beam, 3 Crossbar Connections	For use in triad applications with three end connection	48"		<b>YBTYEXBN348</b>	\$16,768.
	For use in triad applications with three end connection	54"		<b>YBTYEXBN354</b>	16,890.
	For use in triad applications with three end connection	60"		<b>YBTYEXBN360</b>	16,991.



Antenna Telescope

### Ordering Information

#### Antenna Telescope 120° Triad

1. Pattern Number
2. Control Switch
3. Base Paint Finish

### Order Code

#### Antenna Telescope 120° Triad

*Example:* **YBTYEXBN148, D, 118T**

**YBTY** Antenna Telescope 120° Triad

**EX** Extended Electric

**BN** With Beam

**1** 1 Connection

**60** Width

**118T** Bright White Paint

### Included With

#### Antenna Telescope 120° Triad

Column  
Center Beam  
Dual Trays  
Rails  
Connecting Hardware

### Options


#### Antenna Telescope 120° Triad

##### Control Switch Options

(S) = Standard up/down control switch  
(D) = Digital Display with programmable settings. Add \$954 list for the digital display selection.  
(TR) = Toggle Switch, Red.  
(TG) = Toggle Switch, Grey. Add \$300 list for "Toggle Switch option".

# Antenna Telescope Dual Return Bases


## Standard Electric

description	type	w	d	pattern no.	list
Telescope Return Base, Height Adjustable Standard Electric 	For 54"W Return, Includes Depth of Adjoining Top	15"	54"	<b>YBTRES54</b>	\$1,935.
	For 57"W Return, Includes Depth of Adjoining Top	15"	57"	<b>YBTRES57</b>	1,940.
	For 60"W Return, Includes Depth of Adjoining Top	15"	60"	<b>YBTRES60</b>	1,950.
	For 63"W Return, Includes Depth of Adjoining Top	15"	63"	<b>YBTRES63</b>	1,960.
	For 66"W Return, Includes Depth of Adjoining Top	15"	66"	<b>YBTRES66</b>	1,965.
	For 69"W Return, Includes Depth of Adjoining Top	15"	69"	<b>YBTRES69</b>	1,971.
	For 72"W Return, Includes Depth of Adjoining Top	15"	72"	<b>YBTRES72</b>	1,981.
	For 75"W Return, Includes Depth of Adjoining Top	15"	75"	<b>YBTRES75</b>	1,986.
	For 78"W Return, Includes Depth of Adjoining Top	15"	78"	<b>YBTRES78</b>	1,991.
	For 81"W Return, Includes Depth of Adjoining Top	15"	81"	<b>YBTRES81</b>	2,002.
	For 84"W Return, Includes Depth of Adjoining Top	15"	84"	<b>YBTRES84</b>	2,008.
	For 87"W Return, Includes Depth of Adjoining Top	15"	87"	<b>YBTRES87</b>	2,010.
	For 90"W Return, Includes Depth of Adjoining Top	15"	90"	<b>YBTRES90</b>	2,013.
	For 93"W Return, Includes Depth of Adjoining Top	15"	93"	<b>YBTRES93</b>	2,023.
	For 96"W Return, Includes Depth of Adjoining Top	15"	96"	<b>YBTRES96</b>	2,039.
	For 99"W Return, Includes Depth of Adjoining Top	15"	99"	<b>YBTRES99</b>	2,041.
For 102"W Return, Includes Depth of Adjoining Top	15"	102"	<b>YBTRES102</b>	2,044.	

Ordering Information	Order Code	Included With	Options
<b>Antenna Telescope Return Bases</b> 1. Pattern Number 2. Base Paint Finish	<b>Antenna Telescope Return Bases</b> <i>Example:</i> <b>YBTRES60, 118T</b> <b>YBTR</b> Antenna Telescope Return Base <b>ES</b> Standard Electric <b>60</b> Depth <b>118T</b> Bright White Paint	<b>Antenna Telescope Return Bases</b> Column Rails Connecting Hardware	<b>Antenna Telescope Return Bases</b>

# Antenna Telescope Dual Return Bases

## *Extended Electric*

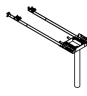
description	type	w	d	pattern no.	list
 Telescope Return Base, Height Adjustable Extended Electric	For 54"W Return, Includes Depth of Adjoining Top	15"	54"	<b>YBTREX54</b>	\$2,222.
	For 57"W Return, Includes Depth of Adjoining Top	15"	57"	<b>YBTREX57</b>	2,227.
	For 60"W Return, Includes Depth of Adjoining Top	15"	60"	<b>YBTREX60</b>	2,237.
	For 63"W Return, Includes Depth of Adjoining Top	15"	63"	<b>YBTREX63</b>	2,248.
	For 66"W Return, Includes Depth of Adjoining Top	15"	66"	<b>YBTREX66</b>	2,253.
	For 69"W Return, Includes Depth of Adjoining Top	15"	69"	<b>YBTREX69</b>	2,258.
	For 72"W Return, Includes Depth of Adjoining Top	15"	72"	<b>YBTREX72</b>	2,269.
	For 75"W Return, Includes Depth of Adjoining Top	15"	75"	<b>YBTREX75</b>	2,274.
	For 78"W Return, Includes Depth of Adjoining Top	15"	78"	<b>YBTREX78</b>	2,279.
	For 81"W Return, Includes Depth of Adjoining Top	15"	81"	<b>YBTREX81</b>	2,290.
	For 84"W Return, Includes Depth of Adjoining Top	15"	84"	<b>YBTREX84</b>	2,295.
	For 87"W Return, Includes Depth of Adjoining Top	15"	87"	<b>YBTREX87</b>	2,297.
	For 90"W Return, Includes Depth of Adjoining Top	15"	90"	<b>YBTREX90</b>	2,300.
	For 93"W Return, Includes Depth of Adjoining Top	15"	93"	<b>YBTREX93</b>	2,310.
	For 96"W Return, Includes Depth of Adjoining Top	15"	96"	<b>YBTREX96</b>	2,326.
For 99"W Return, Includes Depth of Adjoining Top	15"	99"	<b>YBTREX99</b>	2,328.	
For 102"W Return, Includes Depth of Adjoining Top	15"	102"	<b>YBTREX102</b>	2,331.	

Antenna Telescope

Ordering Information	Order Code	Included With	Options
<b>Antenna Telescope Return Bases</b> 1. Pattern Number 2. Base Paint Finish	<b>Antenna Telescope Return Bases</b>  <i>Example:</i> <b>YBTREX60, 118T</b> <b>YBTR</b> Antenna Telescope Return Base <b>EX</b> Extended Electric <b>60</b> Depth <b>118T</b> Bright White Paint	<b>Antenna Telescope Return Bases</b>  Column Rails Connecting Hardware	<b>Antenna Telescope Return Bases</b>

# Antenna Telescope Dual Return Bases

## Fixed Height

description	type	w	d	pattern no.	list
Telescope Return Base, Fixed Height 	For 54"W Return, Includes Depth of Adjoining Top	15"	54"	<b>YBTRFS54</b>	\$976.
	For 57"W Return, Includes Depth of Adjoining Top	15"	57"	<b>YBTRFS57</b>	982.
	For 60"W Return, Includes Depth of Adjoining Top	15"	60"	<b>YBTRFS60</b>	992.
	For 63"W Return, Includes Depth of Adjoining Top	15"	63"	<b>YBTRFS63</b>	1,002.
	For 66"W Return, Includes Depth of Adjoining Top	15"	66"	<b>YBTRFS66</b>	1,007.
	For 69"W Return, Includes Depth of Adjoining Top	15"	69"	<b>YBTRFS69</b>	1,013.
	For 72"W Return, Includes Depth of Adjoining Top	15"	72"	<b>YBTRFS72</b>	1,023.
	For 75"W Return, Includes Depth of Adjoining Top	15"	75"	<b>YBTRFS75</b>	1,028.
	For 78"W Return, Includes Depth of Adjoining Top	15"	78"	<b>YBTRFS78</b>	1,033.
	For 81"W Return, Includes Depth of Adjoining Top	15"	81"	<b>YBTRFS81</b>	1,043.
	For 84"W Return, Includes Depth of Adjoining Top	15"	84"	<b>YBTRFS84</b>	1,050.
	For 87"W Return, Includes Depth of Adjoining Top	15"	87"	<b>YBTRFS87</b>	1,052.
	For 90"W Return, Includes Depth of Adjoining Top	15"	90"	<b>YBTRFS90</b>	1,055.
	For 93"W Return, Includes Depth of Adjoining Top	15"	93"	<b>YBTRFS93</b>	1,065.
	For 96"W Return, Includes Depth of Adjoining Top	15"	96"	<b>YBTRFS96</b>	1,081.
	For 99"W Return, Includes Depth of Adjoining Top	15"	99"	<b>YBTRFS99</b>	1,083.
	For 102"W Return, Includes Depth of Adjoining Top	15"	102"	<b>YBTRFS102</b>	1,086.

### Ordering Information

#### Bases

1. Pattern Number
2. Base Paint Finish

### Order Code

#### Bases

*Example:* **YBTRES60, 118T**

**YBTR** Antenna Telescope  
Return Base

**FX** Fixed Height

**60** Depth

**118T** Bright White Paint

### Included With

#### Antenna Telescope Return Bases


Column  
Rails  
Connecting Hardware

### Options

#### Antenna Telescope Return Bases

# Antenna Telescope Single Sided Return Bases

## Standard Electric

description	type	w	d	pattern no.	list
Telescope Return Base, Height Adjustable Standard Electric 	For 54"W Return, Includes width of return + 24"	15"	54"	<b>YBTRES54</b>	\$1,935.
	For 57"W Return, Includes width of return + 24"	15"	57"	<b>YBTRES57</b>	1,940.
	For 60"W Return, Includes width of return + 24"	15"	60"	<b>YBTRES60</b>	1,950.
	For 63"W Return, Includes width of return + 24"	15"	63"	<b>YBTRES63</b>	1,960.
	For 66"W Return, Includes width of return + 24"	15"	66"	<b>YBTRES66</b>	1,965.
	For 69"W Return, Includes width of return + 24"	15"	69"	<b>YBTRES69</b>	1,971.
	For 72"W Return, Includes width of return + 24"	15"	72"	<b>YBTRES72</b>	1,981.
	For 75"W Return, Includes width of return + 24"	15"	75"	<b>YBTRES75</b>	1,986.
	For 78"W Return, Includes width of return + 24"	15"	78"	<b>YBTRES78</b>	1,991.
	For 81"W Return, Includes width of return + 24"	15"	81"	<b>YBTRES81</b>	2,002.
	For 84"W Return, Includes width of return + 24"	15"	84"	<b>YBTRES84</b>	2,008.
	For 87"W Return, Includes width of return + 24"	15"	87"	<b>YBTRES87</b>	2,010.
	For 90"W Return, Includes width of return + 24"	15"	90"	<b>YBTRES90</b>	2,013.
	For 93"W Return, Includes width of return + 24"	15"	93"	<b>YBTRES93</b>	2,023.
	For 96"W Return, Includes width of return + 24"	15"	96"	<b>YBTRES96</b>	2,039.


Antenna Telescope

Ordering Information	Order Code	Included With	Options
<b>Antenna Telescope Return Bases</b> 1. Pattern Number 2. Base Paint Finish	<b>Antenna Telescope Return Bases</b> <i>Example:</i> <b>YBTRES60, 118T</b> <b>YBTR</b> Antenna Telescope Return Base <b>ES</b> Standard Electric <b>60</b> Depth <b>118T</b> Bright White Paint	<b>Antenna Telescope Return Bases</b> Column Rails Connecting Hardware	<b>Antenna Telescope Return Bases</b>



# Antenna Telescope Single Sided Return Bases

## *Extended Electric*

description	type	w	d	pattern no.	list
Telescope Return Base, Height Adjustable Extended Electric 	For 54"W Return, Includes width of return + 24"	15"	54"	<b>YBTREX54</b>	\$2,222.
	For 57"W Return, Includes width of return + 24"	15"	57"	<b>YBTREX57</b>	2,227.
	For 60"W Return, Includes width of return + 24"	15"	60"	<b>YBTREX60</b>	2,237.
	For 63"W Return, Includes width of return + 24"	15"	63"	<b>YBTREX63</b>	2,248.
	For 66"W Return, Includes width of return + 24"	15"	66"	<b>YBTREX66</b>	2,253.
	For 69"W Return, Includes width of return + 24"	15"	69"	<b>YBTREX69</b>	2,258.
	For 72"W Return, Includes width of return + 24"	15"	72"	<b>YBTREX72</b>	2,269.
	For 75"W Return, Includes width of return + 24"	15"	75"	<b>YBTREX75</b>	2,274.
	For 78"W Return, Includes width of return + 24"	15"	78"	<b>YBTREX78</b>	2,279.
	For 81"W Return, Includes width of return + 24"	15"	81"	<b>YBTREX81</b>	2,290.
	For 84"W Return, Includes width of return + 24"	15"	84"	<b>YBTREX84</b>	2,295.
	For 87"W Return, Includes width of return + 24"	15"	87"	<b>YBTREX87</b>	2,297.
	For 90"W Return, Includes width of return + 24"	15"	90"	<b>YBTREX90</b>	2,300.
	For 93"W Return, Includes width of return + 24"	15"	93"	<b>YBTREX93</b>	2,310.
	For 96"W Return, Includes width of return + 24"	15"	96"	<b>YBTREX96</b>	2,326.

### Ordering Information

#### Antenna Telescope Return Bases

1. Pattern Number
2. Base Paint Finish

### Order Code

#### Antenna Telescope Return Bases

*Example:* **YBTREX60, 118T**

**YBTR** Antenna Telescope  
Return Base

**EX** Extended Electric

**60** Depth

**118T** Bright White Paint

### Included With

#### Antenna Telescope Return Bases


Column  
Rails  
Connecting Hardware

### Options

#### Antenna Telescope Return Bases

# Antenna Telescope Single Sided Return Bases

## Fixed Height

description	type	w	d	pattern no.	list
Telescope Return Base, Fixed Height 	For 54"W Return, Includes width of return + 24"	15"	54"	<b>YBTRFS54</b>	\$976.
	For 57"W Return, Includes width of return + 24"	15"	57"	<b>YBTRFS57</b>	982.
	For 60"W Return, Includes width of return + 24"	15"	60"	<b>YBTRFS60</b>	992.
	For 63"W Return, Includes width of return + 24"	15"	63"	<b>YBTRFS63</b>	1,002.
	For 66"W Return, Includes width of return + 24"	15"	66"	<b>YBTRFS66</b>	1,007.
	For 69"W Return, Includes width of return + 24"	15"	69"	<b>YBTRFS69</b>	1,013.
	For 72"W Return, Includes width of return + 24"	15"	72"	<b>YBTRFS72</b>	1,023.
	For 75"W Return, Includes width of return + 24"	15"	75"	<b>YBTRFS75</b>	1,028.
	For 78"W Return, Includes width of return + 24"	15"	78"	<b>YBTRFS78</b>	1,033.
	For 81"W Return, Includes width of return + 24"	15"	81"	<b>YBTRFS81</b>	1,043.
	For 84"W Return, Includes width of return + 24"	15"	84"	<b>YBTRFS84</b>	1,050.
	For 87"W Return, Includes width of return + 24"	15"	87"	<b>YBTRFS87</b>	1,052.
	For 90"W Return, Includes width of return + 24"	15"	90"	<b>YBTRFS90</b>	1,055.
	For 93"W Return, Includes width of return + 24"	15"	93"	<b>YBTRFS93</b>	1,065.
	For 96"W Return, Includes width of return + 24"	15"	96"	<b>YBTRFS96</b>	1,081.

Antenna Telescope

Ordering Information	Order Code	Included With	Options
<b>Bases</b>	<b>Bases</b>	<b>Antenna Telescope Return Bases</b>	<b>Antenna Telescope Return Bases</b>
1. Pattern Number	<i>Example:</i> <b>YBTRES60, 118T</b>	Column	
2. Base Paint Finish	<b>YBTR</b> Antenna Telescope Return Base	Rails	
	<b>FX</b> Fixed Height	Connecting Hardware	
	<b>60</b> Depth		
	<b>118T</b> Bright White Paint		

# Antenna Telescope Y-Base Tables

## Standard Electric

description	w	d	h	pattern no.	L	V1/Mixed (V/M)	V2 (V)	V3 (V)
Telescope Y-base Table with Track Shape Antenna Top, Standard Electric	60"	30"	28.1" - 43.7"	<b>YKTT6030YESG ( )</b>	\$4,365.	\$4,801.	\$4,897.	\$5,387.
	66"	30"	28.1" - 43.7"	<b>YKTT6630YESG ( )</b>	4,415.	4,857.	4,954.	5,450.
	72"	30"	28.1" - 43.7"	<b>YKTT7230YESG ( )</b>	4,441.	4,885.	4,983.	5,481.
	72"	36"	28.1" - 43.7"	<b>YKTT7236YESG ( )</b>	4,466.	5,238.	5,342.	5,872.
	84"	42"	28.4" - 43.9"	<b>YKTT8442YESG ( )</b>	4,999.	5,553.	5,663.	6,224.



Telescope Y-base Table with Bullet Shape Antenna Top, Standard Electric	72"	36"	28.1" - 43.7"	<b>YKTB7236YESG ( )</b>	4,466.	5,238.	5,342.	5,872.
	84"	42"	28.4" - 43.9"	<b>YKTB8442YESG ( )</b>	4,999.	5,553.	5,663.	6,224.



Telescope Y-base Table with Rectangular Shape Antenna Top, Standard Electric	60"	27"	28.1" - 43.7"	<b>YKTS6027YESG ( )</b>	4,243.	4,667.	4,760.	5,236.
	60"	30"	28.1" - 43.7"	<b>YKTS6030YESG ( )</b>	4,293.	4,723.	4,817.	5,299.
	66"	27"	28.1" - 43.7"	<b>YKTS6627YESG ( )</b>	4,293.	4,723.	4,817.	5,299.
	66"	30"	28.1" - 43.7"	<b>YKTS6630YESG ( )</b>	4,344.	4,779.	4,874.	5,361.
	72"	27"	28.1" - 43.7"	<b>YKTS7227YESG ( )</b>	4,319.	4,751.	4,846.	5,331.
	72"	30"	28.1" - 43.7"	<b>YKTS7230YESG ( )</b>	4,370.	4,807.	4,902.	5,393.
	72"	36"	28.1" - 43.7"	<b>YKTS7236YESG ( )</b>	4,420.	4,843.	4,938.	5,427.
	84"	42"	28.4" - 43.9"	<b>YKTS8442YESG ( )</b>	4,948.	5,363.	5,470.	6,012.



Telescope Y-base Table with Rectangular Shape Antenna Top, Standard Electric, with Rails	72"	27"	28.1" - 43.7"	<b>YKTS7227YESRG ( )</b>	4,568.	5,024.	5,125.	5,637.
	72"	30"	28.1" - 43.7"	<b>YKTS7230YESRG ( )</b>	4,618.	5,080.	5,182.	5,700.



### Ordering Information

#### Antenna Telescope Y-base Tables

1. Pattern Number
2. Grommet / no grommet
3. Top surface type
4. Control switch
5. Top finish
6. Edge finish
7. Base Paint finish
8. Grommet Paint Finish

### Order Code

#### Antenna Telescope Y-Base Tables

*Example:* **YKTT7236YESNL, S,118,118,118T**

<b>YKT</b>	Antenna Table Assembly
<b>T</b>	Shape
<b>7236</b>	Size
<b>YES</b>	Base Type
<b>N</b>	No grommet
<b>L</b>	Laminate
<b>S</b>	Standard Up/Down Switch
<b>118</b>	Bright White Top
<b>118</b>	Bright White Top
<b>118T</b>	Bright White Textured Paint

### Included With

#### Antenna Telescope Y-base Tables

Antenna Top  
Columns  
Base spokes  
Levelers  
Attachment Hardware

#### Antenna Telescope Y-base Tables

(G) Grommet  
(N) No grommet  
For no grommets, deduct \$50 for track shape, bullet shape and rectangle tops

#### Top Finish Options:

(L) = Laminate  
(V) = Veneer  
Top may be specified in any Knoll core laminate or veneer.

#### Control Switch Option:

(S) = Standard up/down control switch  
(D) = Digital Display with programmable setting  
Add \$318 list for the digital display selection.  
(TR) = Toggle Switch, Red.  
(TG) = Toggle Switch, Grey. Add \$100 list for "Toggle Switch option".

# Antenna Telescope End Panels

## Planning Guidelines and Specifications

End panels are available to enclose the end of Telescope Dual Bases from the floor to 28 ½", 42" or 49" high. End panels are added outside the standard Telescope base structure, which adds 4 ¼" to the overall width of the Telescope Dual Table if added on either end.

End panels include two levelling glides and two connector brackets to the Telescope Dual Base crossbar, defining a 1" space between the end panel and the edge of the height-adjustable worksurface, or ½" space between the end panel and center beam mounted screens. An end panel uses two positioning brackets to secure the bottom of the panel around the lower column of each workstation.

End panels are oversized 2" in depth from the overall footprint of back-to-back Telescope tables so that all desk mounted screen brackets are within the footprint of the workstation. End panel depths correspond to back-to-back tables using 24", 27" and 30" deep tops. Handed end panels correspond to back-to-back tables with a combination of 24" and 30" deep tops. Overall depths of end panels equal 56", 62" and 68".

End panels require the adjacent Telescope Dual Base to be specified as an intermediate base if there is a cluster of four or more integrated stations, or a back-to-back station with end panels on either side. If specifying only one back-to-back station with end panel on one side only, the Telescope Dual Base must be specified as an end base.

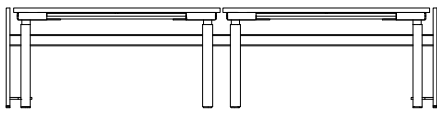
End Panels must be specified for the base height range—either Standard or Extended Electric. Telescope Standard Electric and Fixed Height bases utilize the same end panels.

### CONSTRUCTION

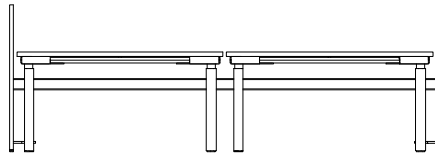
End panels are 1 ⅛" thick veneer or laminate and include cast aluminum brackets.

### SPECIFICATION OPTIONS

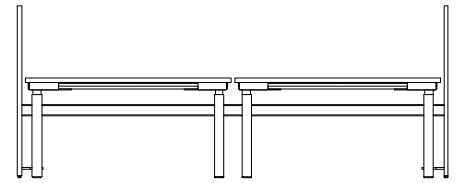
Specify end panels in any Knoll Core solid laminate, patterned and woodgrain laminate or veneer. Also, specify brackets in any Knoll Core, Dark Red or Slate Blue paint finish.



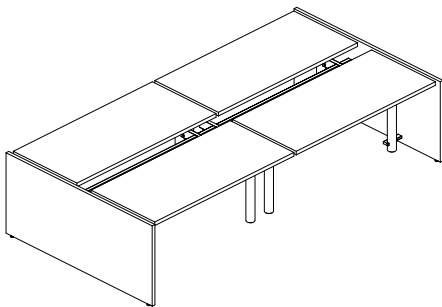
28 ½" High Telescope End Panels Elevation



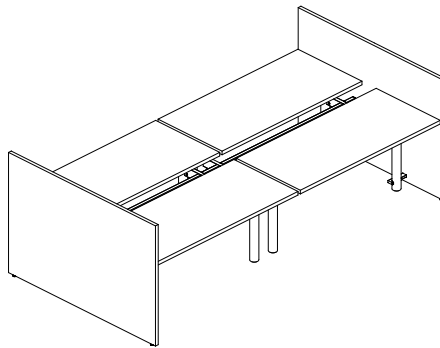
42" High Telescope End Panels Elevation



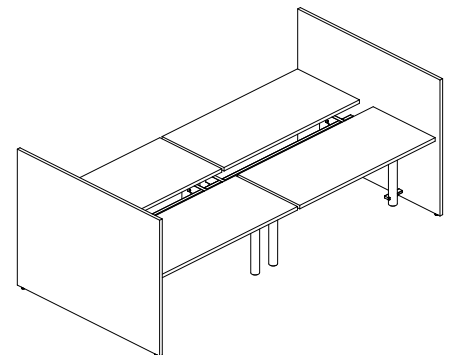
49" High Telescope End Panels Elevation



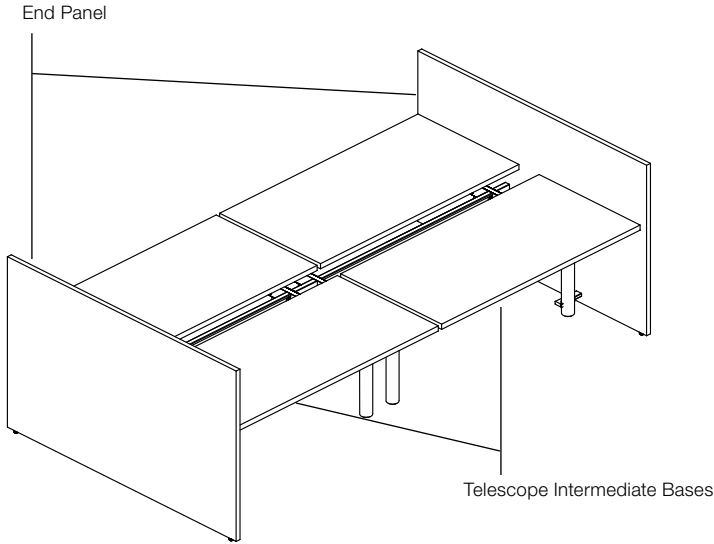
Telescope with 28 ½" High End Panels



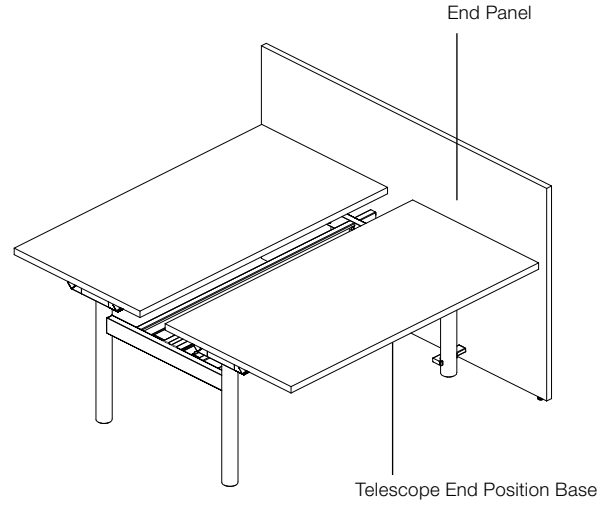
Telescope with 42" High End Panels



Telescope with 49" High End Panels

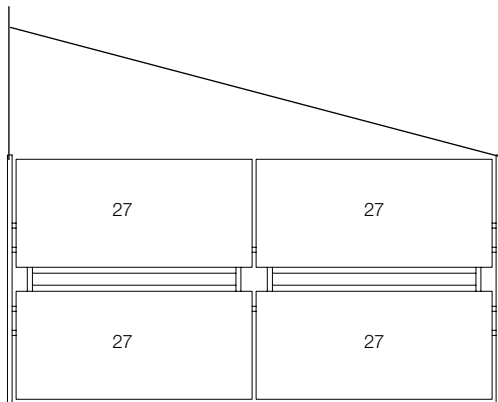


**Telescope Dual Table  
with End Panels and Intermediate Bases**



**Telescope Dual Table End Base  
with End Panel on One Side**

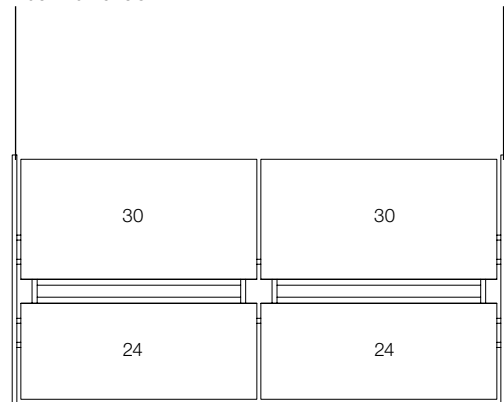
Non-handed 62" Wide End Panels



**Plan View of Telescope Dual Tables  
with 27" Deep Tops and End Panels**

Left Hand 62"  
Wide End Panels

Right Hand 62"  
Wide End Panels

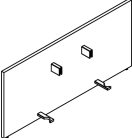


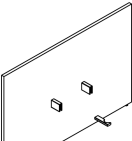
**Plan View of Telescope Dual Tables with back-to-back  
30" and 24" Deep Tops and End Panels**

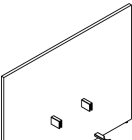
# Antenna Telescope End Panels

## For Dual Sided Standard Electric and Fixed Height Bases

### Laminate or Veneer

description	type	w	d	h	pattern no.	Laminate (L)	V1 (V)	V2 (V)	V3 (V)
 Telescope End Panels for Dual Sided Standard Electric Bases, Desk Height	For 24"D Telescope Dual Sided Tables	56"	1 1/4"	28 1/2"	<b>YEP2856ES( )</b>	\$518.	\$721.	\$827.	\$1,315.
	For 27"D Telescope Dual Sided Tables	62"	1 1/4"	28 1/2"	<b>YEP2862ES( )</b>	538.	796.	908.	1,446.
	For 30"D Left Side, 24"D Right Side, Telescope Dual Sided Tables	62"	1 1/4"	28 1/2"	<b>YEP2862ESL( )</b>	538.	796.	908.	1,446.
	For 30"D Right Side, 24"D Left Side, Telescope Dual Sided Table	62"	1 1/4"	28 1/2"	<b>YEP2862ESR( )</b>	538.	796.	908.	1,446.
	For 30"D Telescope Dual Sided Table	68"	1 1/4"	28 1/2"	<b>YEP2868ES( )</b>	563.	821.	940.	1,528.

 Telescope End Panels for Dual Sided Standard Electric Bases, 42"H	For 24"D Telescope Dual Sided Tables	56"	1 1/4"	42"	<b>YEP4256ES( )</b>	761.	886.	1,019.	1,724.
	For 27"D Telescope Dual Sided Tables	62"	1 1/4"	42"	<b>YEP4262ES( )</b>	812.	931.	1,073.	1,851.
	For 30"D Left Side, 24"D Right Side, Telescope Dual Sided Tables	62"	1 1/4"	42"	<b>YEP4262ESL( )</b>	812.	931.	1,073.	1,851.
	For 30"D Right Side, 24"D Left Side, Telescope Dual Sided Tables	62"	1 1/4"	42"	<b>YEP4262ESR( )</b>	812.	931.	1,073.	1,851.
	For 30"D Telescope Dual Sided Tables	68"	1 1/4"	42"	<b>YEP4268ES( )</b>	888.	965.	1,117.	1,967.

 Telescope End Panels for Dual Sided Standard Electric Bases, 49"H	For 24"D Telescope Dual Sided Tables	56"	1 1/4"	49"	<b>YEP4956ES( )</b>	863.	958.	1,103.	1,919.
	For 27"D Telescope Dual Sided Tables	62"	1 1/4"	49"	<b>YEP4962ES( )</b>	914.	999.	1,155.	2,054.
	For 30"D Left Side, 24"D Right Side, Telescope Dual Sided Tables	62"	1 1/4"	49"	<b>YEP4962ESL( )</b>	914.	999.	1,155.	2,054.
	For 30"D Right Side, 24"D Left Side, Telescope Dual Sided Tables	62"	1 1/4"	49"	<b>YEP4962ESR( )</b>	914.	999.	1,155.	2,054.
	For 30"D Telescope Dual Sided Tables	68"	1 1/4"	49"	<b>YEP4968ES( )</b>	990.	1,039.	1,206.	2,188.

#### Ordering Information

##### Telescope End Panels

1. Pattern Number
2. Surface Finish
3. Bracket Paint Finish

#### Order Code

##### Telescope End Panels

*Example:* **YEP4262ESL, 118, 118T**

<b>YEP</b>	Telescope End Panels
<b>42</b>	Height
<b>62</b>	Width
<b>ES</b>	Standard Electric Height Range
<b>L</b>	Left Hand
<b>118</b>	Laminate
<b>118T</b>	Bright White Paint

#### Included With

Telescope End Panels  
Attachment Brackets  
Hardware

#### Options

##### Telescope End Panels

(L) = Laminate  
(V) = Veneer

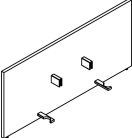
End panels specified in patterned or woodgrain laminate have vertical grain direction up to 60" wide and horizontal grain direction for end panels over 60" wide.

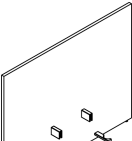
End panels specified in veneer have vertical grain direction for all sizes.

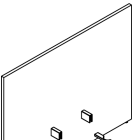
# Antenna Telescope End Panels

## For Dual Sided Extended Electric Bases

### Laminate or Veneer

description	type	w	d	h	pattern no.	Laminate (L)	V1 (V)	V2 (V)	V3 (V)
 Telescope End Panels for Dual Sided Extended Electric Bases, Desk Height	For 24"D Telescope Dual Sided Tables	56"	1 1/4"	28 1/2"	<b>YEP2856EX( )</b>	\$518.	\$721.	\$827.	\$1,315.
	For 27"D Telescope Dual Sided Tables	62"	1 1/4"	28 1/2"	<b>YEP2862EX( )</b>	538.	796.	908.	1,446.
	For 30"D Left Side, 24"D Right Side, Telescope Dual Sided Tables	62"	1 1/4"	28 1/2"	<b>YEP2862EXL( )</b>	538.	796.	908.	1,446.
	For 30"D Right Side, 24"D Left Side, Telescope Dual Sided Table	62"	1 1/4"	28 1/2"	<b>YEP2862EXR( )</b>	538.	796.	908.	1,446.
	For 30"D Telescope Dual Sided Table	68"	1 1/4"	28 1/2"	<b>YEP2868EX( )</b>	563.	821.	940.	1,528.

 Telescope End Panels for Dual Sided Extended Electric Bases, 42"H	For 24"D Telescope Dual Sided Tables	56"	1 1/4"	42"	<b>YEP4256EX( )</b>	761.	886.	1,019.	1,724.
	For 27"D Telescope Dual Sided Tables	62"	1 1/4"	42"	<b>YEP4262EX( )</b>	812.	931.	1,073.	1,851.
	For 30"D Left Side, 24"D Right Side, Telescope Dual Sided Tables	62"	1 1/4"	42"	<b>YEP4262EXL( )</b>	812.	931.	1,073.	1,851.
	For 30"D Right Side, 24"D Left Side, Telescope Dual Sided Tables	62"	1 1/4"	42"	<b>YEP4262EXR( )</b>	812.	931.	1,073.	1,851.
	For 30"D Telescope Dual Sided Tables	68"	1 1/4"	42"	<b>YEP4268EX( )</b>	888.	965.	1,117.	1,967.

 Telescope End Panels for Dual Sided Extended Electric Bases, 49"H	For 24"D Telescope Dual Sided Tables	56"	1 1/4"	49"	<b>YEP4956EX( )</b>	863.	958.	1,103.	1,919.
	For 27"D Telescope Dual Sided Tables	62"	1 1/4"	49"	<b>YEP4962EX( )</b>	914.	999.	1,155.	2,054.
	For 30"D Left Side, 24"D Right Side, Telescope Dual Sided Tables	62"	1 1/4"	49"	<b>YEP4962EXL( )</b>	914.	999.	1,155.	2,054.
	For 30"D Right Side, 24"D Left Side, Telescope Dual Sided Tables	62"	1 1/4"	49"	<b>YEP4962EXR( )</b>	914.	999.	1,155.	2,054.
	For 30"D Telescope Dual Sided Tables	68"	1 1/4"	49"	<b>YEP4968EX( )</b>	990.	1,039.	1,206.	2,188.

#### Ordering Information

##### Telescope End Panels

1. Pattern Number
2. Surface Finish
3. Bracket Paint Finish

#### Order Code

##### Telescope End Panels

*Example:* **YEP4262EXL, 118, 118T**

<b>YEP</b>	Telescope End Panels
<b>42</b>	Height
<b>62</b>	Width
<b>EX</b>	Extended Electric Height Range
<b>L</b>	Left Hand
<b>118</b>	Laminate
<b>118T</b>	Bright White Paint

#### Included With

Telescope End Panels  
Attachment Brackets  
Hardware

#### Options

##### Telescope End Panels

(L) = Laminate  
(V) = Veneer

End panels specified in patterned or woodgrain laminate have vertical grain direction up to 60" wide and horizontal grain direction for end panels over 60" wide.

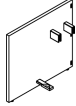
End panels specified in veneer have vertical grain direction for all sizes.

# Antenna Telescope End Panels

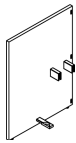
## For Single Sided Standard Electric Bases

### Laminate or Veneer

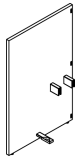
description	type	w	d	h	pattern no.	Laminate (L)	V1 (V)	V2 (V)	V3 (V)
Telescope End Panels for Single Sided Standard Electric Base, Left Hand, Desk Height	For use with 24"D Single Sided Tables	30 <sup>5</sup> / <sub>8</sub> "	1 <sup>1</sup> / <sub>4</sub> "	28 <sup>1</sup> / <sub>2</sub> "	<b>YEPTSSFES2824L()</b>	\$249.	\$386.	\$444.	\$732.
	For use with 27"D Single Sided Tables	33 <sup>5</sup> / <sub>8</sub> "	1 <sup>1</sup> / <sub>4</sub> "	28 <sup>1</sup> / <sub>2</sub> "	<b>YEPTSSFES2827L()</b>	264.	409.	470.	776.
	For use with 30"D Single Sided Tables	36 <sup>5</sup> / <sub>8</sub> "	1 <sup>1</sup> / <sub>4</sub> "	28 <sup>1</sup> / <sub>2</sub> "	<b>YEPTSSFES2830L()</b>	279.	432.	497.	821.



Telescope End Panels for Single Sided Standard Electric Base, Left Hand, 42"H	For use with 24"D Single Sided Tables	30 <sup>5</sup> / <sub>8</sub> "	1 <sup>1</sup> / <sub>4</sub> "	42"	<b>YEPTSSFES4224L()</b>	492.	591.	679.	1,121.
	For use with 27"D Single Sided Tables	33 <sup>5</sup> / <sub>8</sub> "	1 <sup>1</sup> / <sub>4</sub> "	42"	<b>YEPTSSFES4227L()</b>	553.	664.	763.	1,260.
	For use with 30"D Single Sided Tables	36 <sup>5</sup> / <sub>8</sub> "	1 <sup>1</sup> / <sub>4</sub> "	42"	<b>YEPTSSFES4230L()</b>	609.	731.	840.	1,386.



Telescope End Panels for Single Sided Standard Electric Base, Left Hand, 49"H	For use with 24"D Single Sided Tables	30 <sup>5</sup> / <sub>8</sub> "	1 <sup>1</sup> / <sub>4</sub> "	49"	<b>YEPTSSFES4924L()</b>	650.	747.	859.	1,418.
	For use with 27"D Single Sided Tables	33 <sup>5</sup> / <sub>8</sub> "	1 <sup>1</sup> / <sub>4</sub> "	49"	<b>YEPTSSFES4927L()</b>	731.	840.	966.	1,595.
	For use with 30"D Single Sided Tables	36 <sup>5</sup> / <sub>8</sub> "	1 <sup>1</sup> / <sub>4</sub> "	49"	<b>YEPTSSFES4930L()</b>	812.	934.	1,074.	1,772.



Ordering Information	Order Code	Included With	Options
<b>Telescope End Panels for Single Sided Tables</b> 1. Pattern Number 2. Surface Finish 3. Bracket Paint Finish	<b>Telescope End Panels for Single Sided Tables</b>  <i>Example:</i> <b>YEPTSSFES2830LL, 118, 118T</b>  <b>YEPT</b> Telescope End Panels <b>SSFES</b> Single Sided Standard Electric  <b>28</b> Height <b>30</b> Width <b>L</b> Left Hand <b>L</b> Laminate <b>118</b> Bright White Laminate <b>118T</b> Bright White Paint	<b>Telescope End Panels for Single Sided Tables</b>  Attachment Brackets Hardware	<b>Telescope End Panels for Single Sided Tables</b>  (L) = Laminate (V) = Veneer  End panels specified in patterned or woodgrain laminate, or veneer have vertical grain direction for all sizes.

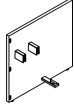


# Antenna Telescope End Panels

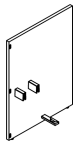
## For Single Sided Standard Electric Bases

### Laminate or Veneer

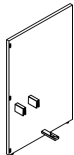
description	type	w	d	h	pattern no.	Laminate (L)	V1 (V)	V2 (V)	V3 (V)
Telescope End Panels for Single Sided Standard Electric Base, Right Hand, Desk Height	For use with 24"D Single Sided Tables	30 <sup>3</sup> / <sub>8</sub> "	1 <sup>1</sup> / <sub>4</sub> "	28 <sup>1</sup> / <sub>2</sub> "	<b>YEPTSSFES2824R()</b>	\$249.	\$386.	\$444.	\$732.
	For use with 27"D Single Sided Tables	33 <sup>3</sup> / <sub>8</sub> "	1 <sup>1</sup> / <sub>4</sub> "	28 <sup>1</sup> / <sub>2</sub> "	<b>YEPTSSFES2827R()</b>	264.	409.	470.	776.
	For use with 30"D Single Sided Tables	36 <sup>3</sup> / <sub>8</sub> "	1 <sup>1</sup> / <sub>4</sub> "	28 <sup>1</sup> / <sub>2</sub> "	<b>YEPTSSFES2830R()</b>	279.	432.	497.	821.



Telescope End Panels for Single Sided Standard Electric Base, Right Hand, 42"H	For use with 24"D Single Sided Tables	30 <sup>3</sup> / <sub>8</sub> "	1 <sup>1</sup> / <sub>4</sub> "	42"	<b>YEPTSSFES4224R()</b>	492.	591.	679.	1,121.
	For use with 27"D Single Sided Tables	33 <sup>3</sup> / <sub>8</sub> "	1 <sup>1</sup> / <sub>4</sub> "	42"	<b>YEPTSSFES4227R()</b>	553.	664.	763.	1,260.
	For use with 30"D Single Sided Tables	36 <sup>3</sup> / <sub>8</sub> "	1 <sup>1</sup> / <sub>4</sub> "	42"	<b>YEPTSSFES4230R()</b>	609.	731.	840.	1,386.



Telescope End Panels for Single Sided Standard Electric Base, Right Hand, 49"H	For use with 24"D Single Sided Tables	30 <sup>3</sup> / <sub>8</sub> "	1 <sup>1</sup> / <sub>4</sub> "	49"	<b>YEPTSSFES4924R()</b>	650.	747.	859.	1,418.
	For use with 27"D Single Sided Tables	33 <sup>3</sup> / <sub>8</sub> "	1 <sup>1</sup> / <sub>4</sub> "	49"	<b>YEPTSSFES4927R()</b>	731.	840.	966.	1,595.
	For use with 30"D Single Sided Tables	36 <sup>3</sup> / <sub>8</sub> "	1 <sup>1</sup> / <sub>4</sub> "	49"	<b>YEPTSSFES4930R()</b>	812.	934.	1,074.	1,772.



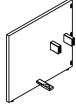
Ordering Information	Order Code	Included With	Options
<b>Telescope End Panels for Single Sided Tables</b> 1. Pattern Number 2. Surface Finish 3. Bracket Paint Finish	<b>Telescope End Panels for Single Sided Tables</b> <i>Example:</i> <b>YEPTSSFES2830RL, 118, 118T</b> <b>YEPT</b> Telescope End Panels <b>SSFES</b> Single Sided Standard Electric <b>28</b> Height <b>30</b> Width <b>R</b> Right Hand <b>L</b> Laminate <b>118</b> Bright White Laminate <b>118T</b> Bright White Paint	<b>Telescope End Panels for Single Sided Tables</b> Attachment Brackets Hardware	<b>Telescope End Panels for Single Sided Tables</b> (L) = Laminate (V) = Veneer End panels specified in patterned or woodgrain laminate, or veneer have vertical grain direction for all sizes.

# Antenna Telescope End Panels

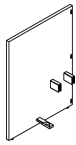
## For Single Sided Extended Electric Bases

### Laminate or Veneer

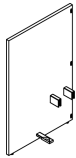
description	type	w	d	h	pattern no.	Laminate (L)	V1 (V)	V2 (V)	V3 (V)
Telescope End Panels for Single Sided Extended Electric Base, Left Hand, Desk Height	For use with 24"D Single Sided Tables	30 <sup>5</sup> / <sub>8</sub> "	1 <sup>1</sup> / <sub>4</sub> "	28 <sup>1</sup> / <sub>2</sub> "	<b>YEPTSSFEX2824L( )</b>	\$249.	\$386.	\$444.	\$732.
	For use with 27"D Single Sided Tables	33 <sup>5</sup> / <sub>8</sub> "	1 <sup>1</sup> / <sub>4</sub> "	28 <sup>1</sup> / <sub>2</sub> "	<b>YEPTSSFEX2827L( )</b>	264.	409.	470.	776.
	For use with 30"D Single Sided Tables	36 <sup>5</sup> / <sub>8</sub> "	1 <sup>1</sup> / <sub>4</sub> "	28 <sup>1</sup> / <sub>2</sub> "	<b>YEPTSSFEX2830L( )</b>	279.	432.	497.	821.



Telescope End Panels for Single Sided Extended Electric Base, Left Hand, 42"H	For use with 24"D Single Sided Tables	30 <sup>5</sup> / <sub>8</sub> "	1 <sup>1</sup> / <sub>4</sub> "	42"	<b>YEPTSSFEX4224L( )</b>	492.	591.	679.	1,121.
	For use with 27"D Single Sided Tables	33 <sup>5</sup> / <sub>8</sub> "	1 <sup>1</sup> / <sub>4</sub> "	42"	<b>YEPTSSFEX4227L( )</b>	553.	664.	763.	1,260.
	For use with 30"D Single Sided Tables	36 <sup>5</sup> / <sub>8</sub> "	1 <sup>1</sup> / <sub>4</sub> "	42"	<b>YEPTSSFEX4230L( )</b>	609.	731.	840.	1,386.



Telescope End Panels for Single Sided Extended Electric Base, Left Hand, 49"H	For use with 24"D Single Sided Tables	30 <sup>5</sup> / <sub>8</sub> "	1 <sup>1</sup> / <sub>4</sub> "	49"	<b>YEPTSSFEX4924L( )</b>	650.	747.	859.	1,418.
	For use with 27"D Single Sided Tables	33 <sup>5</sup> / <sub>8</sub> "	1 <sup>1</sup> / <sub>4</sub> "	49"	<b>YEPTSSFEX4927L( )</b>	731.	840.	966.	1,595.
	For use with 30"D Single Sided Tables	36 <sup>5</sup> / <sub>8</sub> "	1 <sup>1</sup> / <sub>4</sub> "	49"	<b>YEPTSSFEX4930L( )</b>	812.	934.	1,074.	1,772.



Antenna Telescope

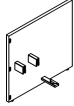
Ordering Information	Order Code	Included With	Options
<b>Telescope End Panels for Single Sided Tables</b> 1. Pattern Number 2. Surface Finish 3. Bracket Paint Finish	<b>Telescope End Panels for Single Sided Tables</b>  <i>Example:</i> <b>YEPTSSFES2830LL, 118, 118T</b>  <b>YEPT</b> Telescope End Panels <b>SSFES</b> Single Sided Extended Electric  <b>28</b> Height <b>30</b> Width <b>L</b> Left Hand <b>L</b> Laminate <b>118</b> Bright White Laminate <b>118T</b> Bright White Paint	<b>Telescope End Panels for Single Sided Tables</b>  Attachment Brackets Hardware	<b>Telescope End Panels for Single Sided Tables</b>  (L) = Laminate (V) = Veneer  End panels specified in patterned or woodgrain laminate, or veneer have vertical grain direction for all sizes.

# Antenna Telescope End Panels

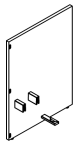
## For Single Sided Extended Electric Bases

### Laminate or Veneer

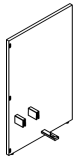
description	type	w	d	h	pattern no.	Laminate (L)	V1 (V)	V2 (V)	V3 (V)
Telescope End Panels for Single Sided Extended Electric Base, Right Hand, Desk Height	For use with 24"D Single Sided Tables	30 <sup>5</sup> / <sub>8</sub> "	1 <sup>1</sup> / <sub>4</sub> "	28 <sup>1</sup> / <sub>2</sub> "	<b>YEPTSSFEX2824R( )</b>	\$249.	\$386.	\$444.	\$732.
	For use with 27"D Single Sided Tables	33 <sup>5</sup> / <sub>8</sub> "	1 <sup>1</sup> / <sub>4</sub> "	28 <sup>1</sup> / <sub>2</sub> "	<b>YEPTSSFEX2827R( )</b>	264.	409.	470.	776.
	For use with 30"D Single Sided Tables	36 <sup>5</sup> / <sub>8</sub> "	1 <sup>1</sup> / <sub>4</sub> "	28 <sup>1</sup> / <sub>2</sub> "	<b>YEPTSSFEX2830R( )</b>	279.	432.	497.	821.



Telescope End Panels for Single Sided Extended Electric Base, Right Hand, 42"H	For use with 24"D Single Sided Tables	30 <sup>5</sup> / <sub>8</sub> "	1 <sup>1</sup> / <sub>4</sub> "	42"	<b>YEPTSSFEX4224R( )</b>	492.	591.	679.	1,121.
	For use with 27"D Single Sided Tables	33 <sup>5</sup> / <sub>8</sub> "	1 <sup>1</sup> / <sub>4</sub> "	42"	<b>YEPTSSFEX4227R( )</b>	553.	664.	763.	1,260.
	For use with 30"D Single Sided Tables	36 <sup>5</sup> / <sub>8</sub> "	1 <sup>1</sup> / <sub>4</sub> "	42"	<b>YEPTSSFEX4230R( )</b>	609.	731.	840.	1,386.



Telescope End Panels for Single Sided Extended Electric Base, Right Hand, 49"H	For use with 24"D Single Sided Tables	30 <sup>5</sup> / <sub>8</sub> "	1 <sup>1</sup> / <sub>4</sub> "	49"	<b>YEPTSSFEX4924R( )</b>	650.	747.	859.	1,418.
	For use with 27"D Single Sided Tables	33 <sup>5</sup> / <sub>8</sub> "	1 <sup>1</sup> / <sub>4</sub> "	49"	<b>YEPTSSFEX4927R( )</b>	731.	840.	966.	1,595.
	For use with 30"D Single Sided Tables	36 <sup>5</sup> / <sub>8</sub> "	1 <sup>1</sup> / <sub>4</sub> "	49"	<b>YEPTSSFEX4930R( )</b>	812.	934.	1,074.	1,772.

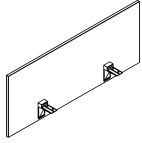


Ordering Information	Order Code	Included With	Options
<b>Telescope End Panels for Single Sided Tables</b> 1. Pattern Number 2. Surface Finish 3. Bracket Paint Finish	<b>Telescope End Panels for Single Sided Tables</b> <i>Example:</i> <b>YEPTSSFES2830RL, 118, 118T</b> <b>YEPT</b> Telescope End Panels <b>SSFES</b> Single Sided Extended Electric <b>28</b> Height <b>30</b> Width <b>R</b> Right Hand <b>L</b> Laminate <b>118</b> Bright White Laminate <b>118T</b> Bright White Paint	<b>Telescope End Panels for Single Sided Tables</b> Attachment Brackets Hardware	<b>Telescope End Panels for Single Sided Tables</b> (L) = Laminate (V) = Veneer End panels specified in patterned or woodgrain laminate, or veneer have vertical grain direction for all sizes.

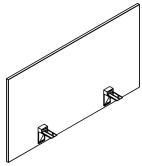
## Fabric

### For 42" and 49" High Horizon

description	w	d	h	pattern no.	10	20	30	40	45
Fabric Screens with Partial Modesty For Telescope Dual Tables, 42"H Horizon	47"	1 1/4"	20"	<b>YPSB2047F</b>	\$815.	\$857.	\$897.	\$938.	\$978.
	53"	1 1/4"	20"	<b>YPSB2053F</b>	876.	920.	962.	1,008.	1,051.
	59"	1 1/4"	20"	<b>YPSB2059F</b>	930.	976.	1,023.	1,070.	1,115.
	65"	1 1/4"	20"	<b>YPSB2065FRR</b>	972.	1,021.	1,070.	1,118.	1,165.
	71"	1 1/4"	20"	<b>YPSB2071FRR</b>	1,002.	1,052.	1,103.	1,151.	1,203.
	77"	1 1/4"	20"	<b>YPSB2077FRR</b>	1,081.	1,136.	1,189.	1,243.	1,297.
	83"	1 1/4"	20"	<b>YPSB2083FRR</b>	1,168.	1,226.	1,285.	1,344.	1,401.



Fabric Screens with Partial Modesty For Telescope Dual Tables, 49"H Horizon	47"	1 1/4"	26"	<b>YPSB2647F</b>	953.	1,002.	1,048.	1,096.	1,145.
	53"	1 1/4"	26"	<b>YPSB2653F</b>	1,020.	1,072.	1,121.	1,172.	1,225.
	59"	1 1/4"	26"	<b>YPSB2659F</b>	1,064.	1,114.	1,168.	1,222.	1,275.
	65"	1 1/4"	26"	<b>YPSB2665FRR</b>	1,110.	1,164.	1,222.	1,277.	1,331.
	71"	1 1/4"	26"	<b>YPSB2671FRR</b>	1,158.	1,214.	1,275.	1,331.	1,390.
	77"	1 1/4"	26"	<b>YPSB2677FRR</b>	1,251.	1,314.	1,375.	1,438.	1,501.
	83"	1 1/4"	26"	<b>YPSB2683FRR</b>	1,351.	1,419.	1,487.	1,554.	1,622.



#### Ordering Information

##### Desk Screens

1. Pattern Number
2. Inside Fabric Finish
3. Outside Fabric Finish
4. Frame Paint Finish
5. Bracket Paint Finish

#### Order Code

##### Desk Screens

*Example:* **YPSB2047F, W1077, 118T**

<b>YPSB</b>	Desk Screen
<b>20</b>	Height
<b>47</b>	Width
<b>F</b>	Fabric
<b>W1077</b>	Element
<b>W1077</b>	Element
<b>118T</b>	Bright White Paint
<b>118T</b>	Bright White Paint

#### Included With

##### Desk Screens

Brackets  
Hardware

#### Options

##### Desk Screens

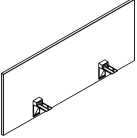
The price of screens specified with a combination of fabrics is the higher of the two fabric grades.

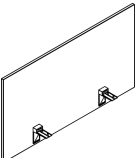
(RR) Fabric is applied railroaded.

# Desk Screens for Telescope Dual Tables

## Laminate, Markerboard or Veneer

### For 42" and 49" High Horizon

description	w	d	h	pattern no.	Laminate (L)	Laminate (LM)	V1 (V)	V2 (V)	V3 (V)
Screens with Partial Modesty For Telescope Dual Tables, 42"H Horizon	47"	3/4"	20"	<b>YPSB2047( )</b>	\$403.	\$622.	\$622.	\$716.	\$928.
	53"	3/4"	20"	<b>YPSB2053( )</b>	411.	644.	644.	741.	962.
	59"	3/4"	20"	<b>YPSB2059( )</b>	416.	696.	696.	801.	1,042.
	65"	3/4"	20"	<b>YPSB2065( )</b>	423.	728.	728.	837.	1,087.
	71"	3/4"	20"	<b>YPSB2071( )</b>	429.	752.	752.	864.	1,121.
	77"	3/4"	20"	<b>YPSB2077( )</b>	473.	789.	789.	907.	1,179.
	83"	3/4"	20"	<b>YPSB2083( )</b>	520.	828.	828.	952.	1,238.

Screens with Partial Modesty For Telescope Dual Tables, 49"H Horizon	47"	3/4"	26"	<b>YPSB2647( )</b>	403.	723.	723.	831.	1,080.
	53"	3/4"	26"	<b>YPSB2653( )</b>	411.	753.	753.	864.	1,123.
	59"	3/4"	26"	<b>YPSB2659( )</b>	416.	837.	837.	962.	1,250.
	65"	3/4"	26"	<b>YPSB2665( )</b>	423.	867.	867.	997.	1,296.
	71"	3/4"	26"	<b>YPSB2671( )</b>	542.	897.	897.	1,032.	1,341.
	77"	3/4"	26"	<b>YPSB2677( )</b>	596.	942.	942.	1,083.	1,408.
	83"	3/4"	26"	<b>YPSB2683( )</b>	656.	989.	989.	1,138.	1,478.

#### Ordering Information

##### Desk Screens

1. Pattern Number
2. Inside Fabric Finish
3. Outside Fabric Finish
4. Frame Paint Finish
5. Bracket Paint Finish

#### Order Code

##### Desk Screens

*Example:* **YPSB2047V, 006B, 118T**

<b>YPSB</b>	Desk Screen
<b>20</b>	Height
<b>47</b>	Width
<b>V</b>	Veneer
<b>006B</b>	Maple
<b>118T</b>	Bright White Paint

#### Included With

##### Desk Screens

Brackets  
Hardware

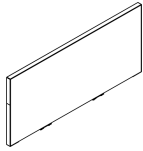
#### Options

##### Desk Screens

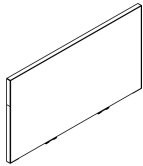
Finish Options:  
(L) = Laminate  
(LM) = Markerboard  
(V) = Veneer

## Fabric For 42" High Horizon

description	w	d	h	pattern no.	10	20	30	40	45
Fabric Screens For Telescope Dual Table Beam, Standard Height Range, 42" High Horizon	48"	1 1/4"	22"	<b>YPSCT2248F</b>	\$948.	\$996.	\$1,042.	\$1,090.	\$1,138.
	54"	1 1/4"	22"	<b>YPSCT2254F</b>	965.	1,013.	1,061.	1,109.	1,157.
	60"	1 1/4"	22"	<b>YPSCT2260F</b>	986.	1,035.	1,085.	1,135.	1,183.
	66"	1 1/4"	22"	<b>YPSCT2266FRR</b>	1,185.	1,244.	1,302.	1,362.	1,422.
	72"	1 1/4"	22"	<b>YPSCT2272FRR</b>	1,233.	1,295.	1,357.	1,419.	1,480.
	78"	1 1/4"	22"	<b>YPSCT2278FRR</b>	1,281.	1,345.	1,409.	1,473.	1,537.
	84"	1 1/4"	22"	<b>YPSCT2284FRR</b>	1,341.	1,408.	1,475.	1,543.	1,610.



Fabric Screens For Telescope Dual Table Beam, Extended Height Range, 42" High Horizon	48"	1 1/4"	26"	<b>YPSCT2648F</b>	1,004.	1,054.	1,104.	1,154.	1,205.
	54"	1 1/4"	26"	<b>YPSCT2654F</b>	1,020.	1,072.	1,123.	1,174.	1,225.
	60"	1 1/4"	26"	<b>YPSCT2660F</b>	1,048.	1,101.	1,153.	1,206.	1,258.
	66"	1 1/4"	26"	<b>YPSCT2666FRR</b>	1,195.	1,255.	1,314.	1,373.	1,434.
	72"	1 1/4"	26"	<b>YPSCT2672FRR</b>	1,274.	1,337.	1,401.	1,465.	1,529.
	78"	1 1/4"	26"	<b>YPSCT2678FRR</b>	1,334.	1,401.	1,468.	1,535.	1,602.
	84"	1 1/4"	26"	<b>YPSCT2684FRR</b>	1,421.	1,492.	1,563.	1,634.	1,705.



### Ordering Information

#### Center Screens

1. Pattern Number
2. Inside Fabric Finish
3. Outside Fabric Finish
4. Frame Paint Finish

### Order Code

#### Center Screens

*Example:* **YPSCT2248F, W1077, W1077, 118T**

<b>YPSCT</b>	Telescope Center Screen
<b>22</b>	Height
<b>48</b>	Width
<b>F</b>	Fabric
<b>W1077</b>	Element
<b>W1077</b>	Element
<b>118T</b>	Bright White Paint
<b>118T</b>	Bright White Paint

### Included With

#### Center Screens

Brackets  
Hardware

### Options

#### Center Screens

The price of screens specified with a combination of fabrics is the higher of the two fabric grades.

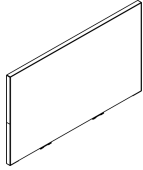
(RR) Fabric is applied railroaded

# Center Screens for Telescope Dual Tables

## *Fabric*

### *For 49" High Horizon*

description	w	d	h	pattern no.	10	20	30	40	45
Fabric Screens For Telescope Dual Table Beam, Standard Height Range, 49" High Horizon	48"	1 1/4"	29"	<b>YPSCT2948F</b>	\$1,011.	\$1,062.	\$1,112.	\$1,162.	\$1,214.
	54"	1 1/4"	29"	<b>YPSCT2954F</b>	1,056.	1,108.	1,161.	1,214.	1,267.
	60"	1 1/4"	29"	<b>YPSCT2960F</b>	1,061.	1,114.	1,168.	1,220.	1,274.
	66"	1 1/4"	29"	<b>YPSCT2966FRR</b>	1,253.	1,315.	1,378.	1,440.	1,503.
	72"	1 1/4"	29"	<b>YPSCT2972FRR</b>	1,281.	1,345.	1,409.	1,473.	1,537.
	78"	1 1/4"	29"	<b>YPSCT2978FRR</b>	1,400.	1,470.	1,540.	1,610.	1,680.
	84"	1 1/4"	29"	<b>YPSCT2984FRR</b>	1,437.	1,509.	1,581.	1,652.	1,726.



#### Ordering Information

##### Center Screens

1. Pattern Number
2. Inside Fabric Finish
3. Outside Fabric Finish
4. Frame Paint Finish

#### Order Code

##### Center Screens

*Example:* **YPSCT2248F, W1077, W1077, 118T**

<b>YPSCT</b>	Telescope Center Screen
<b>22</b>	Height
<b>48</b>	Width
<b>F</b>	Fabric
<b>W1077</b>	Element
<b>W1077</b>	Element
<b>118T</b>	Bright White Paint
<b>118T</b>	Bright White Paint

#### Included With

##### Desk Screens

Brackets  
Hardware


#### Options


##### Center Screens

The price of screens specified with a combination of fabrics is the higher of the two fabric grades.

(RR) Fabric is applied railroaded

Center Screens for Telescope Dual Tables  
 Laminate, Markerboard, Veneer or Glass  
 For 42" High Horizon

description	w	d	h	pattern no.	Lam. (L)	Markerboard (LM)	V1 (V)	V2 (V)	V3 (V)	Clear Glass (GTEMP)	Powder Glass (GGL13)	Grey Tinted Glass (GGL35)
Screens For Telescope Dual Table Beam, Standard Height Range, 42" High Horizon  	48"	1/2"	22"	<b>YPSCT2248()</b>	\$470.	\$775.	\$903.	\$1,174.	\$1,644.	\$959.	\$1,380.	\$1,766.
	54"	1/2"	22"	<b>YPSCT2254()</b>	486.	802.	924.	1,201.	1,681.	1,035.	1,512.	1,939.
	60"	1/2"	22"	<b>YPSCT2260()</b>	525.	866.	959.	1,247.	1,746.	1,106.	1,634.	2,132.
	66"	1/2"	22"	<b>YPSCT2266()</b>	541.	892.	985.	1,280.	1,791.	1,182.	1,766.	2,284.
	72"	1/2"	22"	<b>YPSCT2272()</b>	558.	922.	1,005.	1,306.	1,829.	1,259.	1,893.	2,487.
	78"	1/2"	22"	<b>YPSCT2278()</b>	572.	945.	1,040.	1,353.	1,894.	1,335.	2,020.	2,624.
	84"	1/2"	22"	<b>YPSCT2284()</b>	577.	951.	1,045.	1,359.	1,903.	1,411.	2,152.	2,796.

Screens For Telescope Dual Table Beam, Extended Height Range, 42" High Horizon  	48"	1/2"	26"	<b>YPSCT2648()</b>	485.	801.	944.	1,227.	1,718.	1,045.	1,538.	1,984.
	54"	1/2"	26"	<b>YPSCT2654()</b>	502.	829.	969.	1,261.	1,764.	1,127.	1,685.	2,182.
	60"	1/2"	26"	<b>YPSCT2660()</b>	543.	896.	995.	1,293.	1,811.	1,213.	1,832.	2,380.
	66"	1/2"	26"	<b>YPSCT2666()</b>	561.	926.	1,035.	1,346.	1,884.	1,299.	1,979.	2,578.
	72"	1/2"	26"	<b>YPSCT2672()</b>	579.	955.	1,061.	1,379.	1,931.	1,385.	2,132.	2,781.
	78"	1/2"	26"	<b>YPSCT2678()</b>	597.	985.	1,101.	1,432.	2,005.	1,472.	2,274.	2,979.
	84"	1/2"	26"	<b>YPSCT2684()</b>	614.	1,013.	1,127.	1,465.	2,050.	1,553.	2,421.	3,172.

**Order Information**

**Center Screens**

1. Pattern Number
2. Surface Finish
3. Bracket Paint Finish

**Order Code**

**Center Screens**

*Example:* **YPSCT2248L, 118 118T**  
**YPSCT** Telescope Center Screen  
**22** Height  
**48** Width  
**L** Laminate  
**118** Bright White  
**118T** Bright White Paint

**Included With**

**Center Screens**

Brackets  
Hardware

**Options**

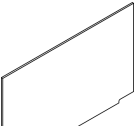
**Center Screens  
Finish Options**


(L) = Laminate  
 (LM) = Markerboard  
 (V) = Veneer  
 (GTEMP) = Clear Glass  
 (GGL13) = Powder Glass  
 (GGL35) = Grey Tinted Glass

All Telescope center screens will have grain direction running horizontally.



Center Screens for Telescope Dual Tables  
 Laminate, Markerboard, Veneer or Glass  
 For 49" High Horizon

description	w	d	h	pattern no.	Lam. (L)	Markerboard (LM)	V1 (V)	V2 (V)	V3 (V)	Clear Glass (GTEMP)	Powder Glass (GGL13)	Grey Tinted Glass (GGL35)
Screens For Telescope Dual Table Beam, Standard Height Range, 49" High Horizon  	48"	1/2"	29"	<b>YPSCT2948()</b>	\$492.	\$812.	\$954.	\$1,240.	\$1,737.	\$1,086.	\$1,619.	\$2,091.
	54"	1/2"	29"	<b>YPSCT2954()</b>	510.	840.	985.	1,280.	1,791.	1,177.	1,776.	2,304.
	60"	1/2"	29"	<b>YPSCT2960()</b>	551.	909.	1,010.	1,313.	1,838.	1,264.	1,929.	2,512.
	66"	1/2"	29"	<b>YPSCT2966()</b>	569.	940.	1,051.	1,366.	1,912.	1,355.	2,086.	2,725.
	72"	1/2"	29"	<b>YPSCT2972()</b>	588.	969.	1,081.	1,406.	1,967.	1,446.	2,243.	2,933.
	78"	1/2"	29"	<b>YPSCT2978()</b>	606.	1,000.	1,122.	1,459.	2,041.	1,533.	2,400.	3,147.
	84"	1/2"	29"	<b>YPSCT2984()</b>	624.	1,030.	1,147.	1,491.	2,088.	1,624.	2,558.	3,360.

Screens For Telescope Dual Table Beam, Extended Height Range, 49" High Horizon  	48"	1/2"	33"	<b>YPSCT3348()</b>	505.	834.	995.	1,293.	1,811.	1,193.	1,817.	2,365.
	54"	1/2"	33"	<b>YPSCT3354()</b>	526.	868.	1,035.	1,346.	1,884.	1,294.	2,000.	2,614.
	60"	1/2"	33"	<b>YPSCT3360()</b>	569.	940.	1,066.	1,385.	1,940.	1,396.	2,177.	2,857.
	66"	1/2"	33"	<b>YPSCT3366()</b>	591.	974.	1,111.	1,445.	2,023.	1,497.	2,355.	3,096.
	72"	1/2"	33"	<b>YPSCT3372()</b>	610.	1,007.	1,142.	1,485.	2,079.	1,599.	2,538.	3,339.
	78"	1/2"	33"	<b>YPSCT3378()</b>	630.	1,040.	1,188.	1,544.	2,161.	1,700.	2,715.	3,578.
	84"	1/2"	33"	<b>YPSCT3384()</b>	650.	1,072.	1,218.	1,583.	2,217.	1,802.	2,893.	3,827.

**Order Information**

**Center Screens**

1. Pattern Number
2. Surface Finish
3. Bracket Paint Finish

**Order Code**

**Center Screens**

*Example:* **YPSCT2248L, 118 118T**  
**YPSCT** Telescope Center Screen  
**22** Height  
**48** Width  
**L** Laminate  
**118** Bright White  
**118T** Bright White Paint

**Included With**

**Center Screens**

Brackets  
 Hardware

**Options**

**Center Screens  
 Finish Options**

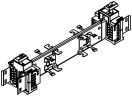
(L) = Laminate  
 (LM) = Markerboard  
 (V) = Veneer  
 (GTEMP) = Clear Glass  
 (GGL13) = Powder Glass  
 (GGL35) = Grey Tinted Glass

All Telescope center screens will  
 have grain direction running  
 horizontally.

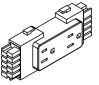
# Telescope Power and Cable Management

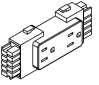
## Electrical Components for Telescope Dual Tables

### 2 + 2, 3 + 3 and 4-4-2 Electrical Systems

description	type	w	d	h	pattern no.	list
 Power Harnesses	2+2, (2) Duplex Outlets per Side	12"	2"	2"	<b>YRPHE12</b>	\$196.
	2+2, (4) Duplex Outlets per Side	24"	2"	2"	<b>YRPHE24</b>	356.
	3+3, (2) Duplex Outlets per Side	12"	2"	2"	<b>YRPHT12</b>	222.
	3+3, (4) Duplex Outlets per Side	24"	2"	2"	<b>YRPHT24</b>	427.
	4-4-2, (2) Duplex Outlets per Side	12"	2"	2"	<b>YRPHX12</b>	233.
	4-4-2, (4) Duplex Outlets per Side	24"	2"	2"	<b>YRPHX24</b>	448.
Communications Mounting Box	Below Desk or Big Table				<b>YR1CMB</b>	44.



 Duplex Receptacles	Circuit A, black	1 1/2"	1"	4 1/2"	<b>YR1DA</b>	45.
	Circuit B, black	1 1/2"	1"	4 1/2"	<b>YR1DB</b>	45.
	Circuit C, black	1 1/2"	1"	4 1/2"	<b>YR1DC</b>	45.
	Circuit X, black	1 1/2"	1"	4 1/2"	<b>YR1DX</b>	45.
	Circuit X, black with orange triangle	1 1/2"	1"	4 1/2"	<b>YR1DXT</b>	45.
	Circuit X, orange with black triangle	1 1/2"	1"	4 1/2"	<b>YR1DXO</b>	45.
	Circuit Y, black	1 1/2"	1"	4 1/2"	<b>YR1DY</b>	45.
	Circuit Y, black with orange triangle	1 1/2"	1"	4 1/2"	<b>YR1DYT</b>	45.
	Circuit Y, orange with black triangle	1 1/2"	1"	4 1/2"	<b>YR1DYO</b>	45.
	Circuit Z, black	1 1/2"	1"	4 1/2"	<b>YR1DZ</b>	45.
	Circuit Z, black with orange triangle	1 1/2"	1"	4 1/2"	<b>YR1DZT</b>	45.
	Circuit Z, orange with black triangle	1 1/2"	1"	4 1/2"	<b>YR1DZO</b>	45.

 Duplex Receptacles for 4-4-2	Circuit 1, black	1 1/2"	1"	4 1/2"	<b>YR1D1</b>	47.
	Circuit 1, black with controlled symbol	1 1/2"	1"	4 1/2"	<b>YR1D1C</b>	47.
	Circuit 2, black	1 1/2"	1"	4 1/2"	<b>YR1D2</b>	47.
	Circuit 2, black with controlled symbol	1 1/2"	1"	4 1/2"	<b>YR1D2C</b>	47.
	Circuit 3, black	1 1/2"	1"	4 1/2"	<b>YR1D3</b>	47.
	Circuit 3, black with controlled symbol	1 1/2"	1"	4 1/2"	<b>YR1D3C</b>	47.
	Circuit 3, orange with black triangle	1 1/2"	1"	4 1/2"	<b>YR1D3O</b>	47.
	Circuit 4, black	1 1/2"	1"	4 1/2"	<b>YR1D4</b>	47.
	Circuit 4, black with controlled symbol	1 1/2"	1"	4 1/2"	<b>YR1D4C</b>	47.
	Circuit 4, orange with black triangle	1 1/2"	1"	4 1/2"	<b>YR1D4O</b>	47.

#### Ordering Information

##### Electrical Components

1. Pattern Number

##### Mounting Brackets

1. Pattern Number

2. Paint Finish

##### Raceway Covers/End Caps

1. Pattern Number

2. Paint Finish

##### Communication Mounting Box

1. Pattern Number

2. Paint Finish

#### Order Code

##### Electrical Components

*Example:* **YRPHT12**

**YRPHT** Power Harness

**12** Width

##### Raceway Covers

*Example:* **YRC18D, 118T**

**YRC** Raceway Covers

**18** Width

**D** Outlets Both Sides

**118T** Bright White Paint

#### Included With

**Power Harness**  
Center Beam Attachment

**Mounting Brackets**  
Attachment Hardware


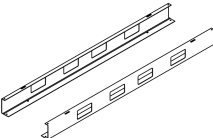
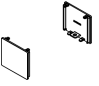
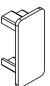
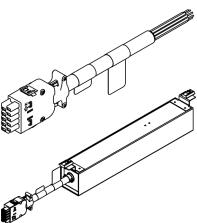
**Communication Mounting Box**  
Attachment Hardware

#### Electrical Components

# Telescope Power and Cable Management

## *Electrical Components for Telescope Dual Tables*

### *2 + 2, 3 + 3 and 4-4-2 Electrical Systems*

description	type	w	d	h	pattern no.	list
Outlet Fillers 	Package of 10	1 1/4"	1/4"	2 1/2"	<b>YROF</b>	\$39.
Raceway Covers (pair) 	For 12" wide power harness, outlets both sides	18"	3"	3"	<b>YR1C18D</b>	107.
	For 12" wide power harness, outlets one side	18"	3"	3"	<b>YR1C18S</b>	107.
	For 24" wide power harness, outlets both sides	30"	3"	3"	<b>YR1C30D</b>	125.
	For 24" wide power harness, outlets one side	30"	3"	3"	<b>YR1C30S</b>	125.
(shown 30")						
Raceway End Cap 	Package of 2	3/8"	3"	3"	<b>YRCE</b>	18.
Covers for Exposed End of Power Harness 	Package of 10	1"	1"	2"	<b>YR1CP</b>	200.
Infeeds 	2+2 Hardwire Infeed for New York City	85"	2 1/8"	2 3/8"	<b>YR1EPNY</b>	476.
	2+2 Modular Base Infeed	85"	2 1/8"	2 3/8"	<b>YR1EDPI</b>	216.
	3+3 Hardwire Infeed for New York City	85"	2 1/8"	2 3/8"	<b>YR1TPNY</b>	501.
	3+3 Modular Base Infeed	85"	2 1/8"	2 3/8"	<b>YR1TDPI</b>	251.
	4-4-2 Hardwire Infeed for New York City	85"	2 1/8"	2 3/8"	<b>YR1XPNY</b>	527.
	4-4-2 Modular Base Infeed	85"	2 1/8"	2 3/8"	<b>YR1XDPI</b>	262.

#### Ordering Information

##### Electrical Components

1. Pattern Number

##### Mounting Brackets

1. Pattern Number

2. Paint Finish

##### Raceway Covers/End Caps

1. Pattern Number

2. Paint Finish

##### Communication Mounting Box

1. Pattern Number

2. Paint Finish

#### Order Code

##### Electrical Components

*Example:* **YRPHT12**

**YRPHT** Power Harness

**12** Width

##### Raceway Covers

*Example:* **YRC18D, 118T**

**YRC** Raceway Covers

**18** Width

**D** Outlets Both Sides

**118T** Bright White Paint

#### Included With

**Power Harness**  
Center Beam Attachment

**Mounting Brackets**  
Attachment Hardware

**Communication Mounting Box**  
Attachment Hardware

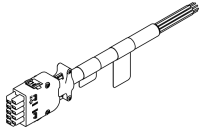
#### Electrical Components

# Telescope Power and Cable Management

## *Electrical Components for Telescope Dual Tables*

### *2 + 2, 3 + 3 and 4-4-2 Electrical Systems*

description	type	w	d	h	pattern no.	list
Ceiling infeed passing through Interpole to Antenna desk, Big Table or Fence	2+2				<b>YR1EPIC12</b>	\$473.
	2+2				<b>YR1EPIC20</b>	861.
	3+3				<b>YR1TPIC12</b>	512.
	3+3				<b>YR1TPIC20</b>	902.
	4-4-2				<b>YR1XPIC12</b>	538.
	4-4-2				<b>YR1XPIC20</b>	947.

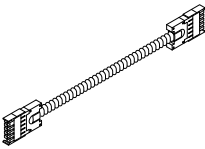


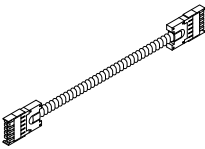
Ordering Information	Order Code	Included With
<b>Electrical Components</b> 1. Pattern Number	<b>Electrical Components</b> <i>Example:</i> <b>YRPHT12</b>	<b>Power Harness</b> Center Beam Attachment
<b>Mounting Brackets</b> 1. Pattern Number 2. Paint Finish	<b>YRPHT</b> Power Harness <b>12</b> Width	<b>Mounting Brackets</b> Attachment Hardware
<b>Raceway Covers/End Caps</b> 1. Pattern Number 2. Paint Finish	<b>Raceway Covers</b> <i>Example:</i> <b>YRC18D, 118T</b> <b>YRC</b> Raceway Covers <b>18</b> Width	<b>Communication Mounting Box</b> Attachment Hardware
<b>Communication Mounting Box</b> 1. Pattern Number 2. Paint Finish	<b>D</b> Outlets Both Sides <b>118T</b> Bright White Paint	

# Telescope Power and Cable Management

## *Electrical Components for Telescope Dual Tables*

### *2 + 2, 3 + 3 and 4-4-2 Electrical Systems*



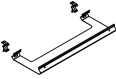

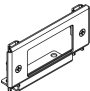


description	type	w	d	h	pattern no.	list
 <p>Jumper Cable, 2+2</p>	For 12" between power harnesses	12"	1"	1"	<b>YR1EJ12</b>	\$114.
	For 18" between power harnesses	18"	1"	1"	<b>YR1EJ18</b>	123.
	For 24" between power harnesses	24"	1"	1"	<b>YR1EJ24</b>	130.
	For 30" between power harnesses	30"	1"	1"	<b>YR1EJ30</b>	139.
	For 36" between power harnesses	36"	1"	1"	<b>YR1EJ36</b>	147.
	For 42" between power harnesses	42"	1"	1"	<b>YR1EJ42</b>	162.
	For 48" between power harnesses	48"	1"	1"	<b>YR1EJ48</b>	170.
	For 54" between power harnesses	54"	1"	1"	<b>YR1EJ54</b>	176.
	For 60" between power harnesses	60"	1"	1"	<b>YR1EJ60</b>	188.
	For 66" between power harnesses	66"	1"	1"	<b>YR1EJ66</b>	196.
For 72" between power harnesses	72"	1"	1"	<b>YR1EJ72</b>	205.	

 <p>Jumper Cable, 3+3</p>	For adjacent power harnesses	07"	1"	1"	<b>YR1TJ7</b>	195.
	For 12" between power harnesses	12"	1"	1"	<b>YR1TJ12</b>	147.
	For 18" between power harnesses	18"	1"	1"	<b>YR1TJ18</b>	160.
	For 24" between power harnesses	24"	1"	1"	<b>YR1TJ24</b>	170.
	For 30" between power harnesses	30"	1"	1"	<b>YR1TJ30</b>	179.
	For 36" between power harnesses	36"	1"	1"	<b>YR1TJ36</b>	192.
	For 42" between power harnesses	42"	1"	1"	<b>YR1TJ42</b>	211.
	For 48" between power harnesses	48"	1"	1"	<b>YR1TJ48</b>	220.
	For 54" between power harnesses	54"	1"	1"	<b>YR1TJ54</b>	227.
	For 60" between power harnesses	60"	1"	1"	<b>YR1TJ60</b>	244.
	For 66" between power harnesses	66"	1"	1"	<b>YR1TJ66</b>	255.
	For 72" between power harnesses	72"	1"	1"	<b>YR1TJ72</b>	265.

Ordering Information	Order Code	Included With	Options
<b>Electrical Components</b>	<b>Electrical Components</b>	<b>Power Harness</b>	<b>Electrical Components</b>
1. Pattern Number	<i>Example:</i> <b>YRPHT12</b>	Center Beam Attachment	
<b>Mounting Brackets</b>	<b>YRPHT</b> Power Harness	<b>Mounting Brackets</b>	
1. Pattern Number	<b>12</b> Width	Attachment Hardware	
2. Paint Finish	<b>Raceway Covers</b>	<b>Communication Mounting Box</b>	
<b>Raceway Covers/End Caps</b>	<i>Example:</i> <b>YRC18D, 118T</b>	Attachment Hardware	
1. Pattern Number	<b>YRC</b> Raceway Covers		
2. Paint Finish	<b>18</b> Width		
<b>Communication Mounting Box</b>	<b>D</b> Outlets Both Sides		
1. Pattern Number	<b>118T</b> Bright White Paint		
2. Paint Finish			

# Telescope Power and Cable Management

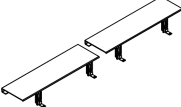
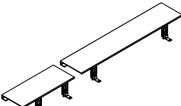
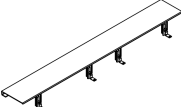
## Power Strip, Cleat Plate and Cleat Plate Cover

description	type	w	d	h	pattern no.	list
Power Strip 	For Telescope Dual Table	24"	1 1/2"	1 1/2"	<b>YR1TPS24</b>	\$392.
Cleat Plate 	For Telescope Dual Table	25"	3 3/4"	2 1/4"	<b>YR1TCP</b>	123.
Cleat Plate Cover 	For 48", 54" and 60"W Telescope 120 Degree Tables	19 1/2"	10 1/2"	2 1/8"	<b>YR1TCPC20</b>	120.
	For 48"W Telescope Dual Table	27 1/2"	10 1/2"	2 1/8"	<b>YR1TCPC28</b>	120.
	For 54" - 84"W Telescope Dual Tables	30"	10 1/2"	2 1/8"	<b>YR1TCPC30</b>	120.
Z-Manager 	For Telescope Extended Electric Height Range				<b>YR1TZEX</b>	157.
	For Telescope Standard Electric Height Range				<b>YR1TZES</b>	151.
Telescope Communications Mounting Plate 	For Telescope Dual Table	4 3/4"	1 1/2"	2 3/4"	<b>YR1TCMP</b>	107.
Telescope Vertical Wire Manager 	For Telescope Extended Electric Height Range				<b>YR1VWM313</b>	376.
	For Telescope Standard Electric Height Range				<b>YR1VWM318</b>	381.
Telescope Y-base Vertical Wire Manager 	For Telescope Y-base Tables	3/4"	3/4"	19 1/2"	<b>YR1TYVWM</b>	31.

Ordering Information	Order Code	Included With	Options
<b>Telescope Power Strip</b> 1. Pattern Number 2. Bracket Paint Finish	<b>Telescope Power Strip</b>  <i>Example:</i> <b>YR1TPS24, 118T</b> <b>YR1TPS</b> Telescope Power Strip <b>24</b> Width <b>118T</b> Bright White Textured Paint	<b>Telescope Power Strip</b>  Brackets Attachment Hardware	<b>Telescope Power Strip</b>
<b>Cleat Plate</b> 1. Pattern Number		<b>Cleat Plate</b>  Wood Screws	
<b>Cleat Plate Cover</b> 1. Pattern Number 2. Paint Finish		<b>Data Tray Cover</b>  Pair of covers for one workstation Attachment Hardware	

# Telescope Power and Cable Management

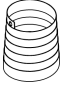

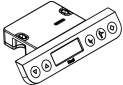
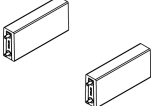



## Data Tray Covers

description	type	w	d	h	pattern no.	list
Telescope Data Tray Covers (pair), with centered cutout for Z-Manager 	For use with Telescope Utility Tray	48"	5 1/4"	3/4"	<b>YR1TTC48</b>	\$416.
	For use with Telescope Utility Tray	54"	5 1/4"	3/4"	<b>YR1TTC54</b>	426.
	For use with Telescope Utility Tray	60"	5 1/4"	3/4"	<b>YR1TTC60</b>	431.
	For use with Telescope Utility Tray	66"	5 1/4"	3/4"	<b>YR1TTC66</b>	442.
	For use with Telescope Utility Tray	72"	5 1/4"	3/4"	<b>YR1TTC72</b>	447.
	For use with Telescope Utility Tray	78"	5 1/4"	3/4"	<b>YR1TTC78</b>	457.
	For use with Telescope Utility Tray	84"	5 1/4"	3/4"	<b>YR1TTC84</b>	467.
Telescope Data Tray Covers (pair), with offset cutout for Z-Manager 	For use with Telescope Utility Tray	48"	5 1/4"	3/4"	<b>YR1TTCA48</b>	416.
	For use with Telescope Utility Tray	54"	5 1/4"	3/4"	<b>YR1TTCA54</b>	426.
	For use with Telescope Utility Tray	60"	5 1/4"	3/4"	<b>YR1TTCA60</b>	431.
	For use with Telescope Utility Tray	66"	5 1/4"	3/4"	<b>YR1TTCA66</b>	442.
	For use with Telescope Utility Tray	72"	5 1/4"	3/4"	<b>YR1TTCA72</b>	447.
	For use with Telescope Utility Tray	78"	5 1/4"	3/4"	<b>YR1TTCA78</b>	457.
	For use with Telescope Utility Tray	84"	5 1/4"	3/4"	<b>YR1TTCA84</b>	467.
Telescope Full Width Tray Covers, no cutout for Z-Manager 	For use with Telescope Utility Tray	48"	5 1/4"	3/4"	<b>YR1TTCF48</b>	416.
	For use with Telescope Utility Tray	54"	5 1/4"	3/4"	<b>YR1TTCF54</b>	426.
	For use with Telescope Utility Tray	60"	5 1/4"	3/4"	<b>YR1TTCF60</b>	431.

Ordering Information	Order Code	Included With	Options
<b>Telescope Power Strip</b> 1. Pattern Number 2. Bracket Paint Finish  <b>Cleat Plate</b> 1. Pattern Number  <b>Cleat Plate Cover</b> 1. Pattern Number 2. Paint Finish	<b>Telescope Power Strip</b>  <i>Example:</i> <b>YR1TPS24, 118T</b> <b>YR1TPS</b> Telescope Power Strip <b>24</b> Width <b>118T</b> Bright White Textured Paint	<b>Telescope Power Strip</b>  Brackets Attachment Hardware  <b>Cleat Plate</b>  Wood Screws  <b>Data Tray Cover</b>  Pair of covers for one workstation Attachment Hardware	<b>Telescope Power Strip</b>

# Telescope Accessories

## Telescope Accessories

description	type	w	d	h	pattern no.	list
Helical Glide Shroud 	For Telescope Dual Table	2 1/3"	2 1/3"	2 3/4"	<b>YBTHS</b>	\$53.
Figure-8 Column Connector (pair) 	For Telescope Dual Table	10 3/5"	2 3/4"	1/8"	<b>YBTF8</b>	118.
Digital Control Switch 	For Telescope Dual Table				<b>YB2DPD</b>	342.
Telescope Connection Link Kit 	For Telescope Dual Table	6 1/2"	1 1/8"	3"	<b>YBTCL</b>	117.
Telescope Glass Vertical Alignment Trim 	For use between Telescope 22"High Glass Center Screens	1/4"	1/2"	22"	<b>YPSCTGT22</b>	36.
	For use between Telescope 26"High Glass Center Screens	1/4"	1/2"	26"	<b>YPSCTGT26</b>	41.
	For use between Telescope 29"High Glass Center Screens	1/4"	1/2"	29"	<b>YPSCTGT29</b>	41.
	For use between Telescope 33"High Glass Center Screens	1/4"	1/2"	33"	<b>YPSCTGT33</b>	46.
Telescope Ballast 	For Telescope Fixed Height Dual Tables			13"	<b>YBTKB5</b>	178.
	For Telescope Fixed Height Dual Tables			26"	<b>YBTKB10</b>	254.
Telescope Carpet Grippers 	kit of 4	1 1/2"	1 1/2"	1/2"	<b>YKTCG</b>	15.

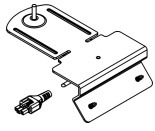
Ordering Information	Order Code	Included With	Options
<b>Helical Glide Shroud</b>	<b>Helical Glide Shroud</b>		
1. Pattern Number	<i>Example:</i> <b>YBTHS</b>		
<b>Figure-8 Column Connector</b>	<b>YBT</b>	Antenna Telescope	
1. Top Finish Type	<b>HS</b>	Helical Glide Shroud	
2. Paint Finish			



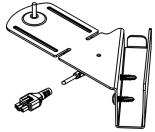
# Telescope Accessories

## *Telescope Accessories*

description	type	w	d	h	pattern no.	list
Telescope Worksurface Collision Sensor	For use on Telescope Dual tables and Y-base tables with rails	4"	6"	1 <sup>3</sup> / <sub>4</sub> "	<b>YR1TWCS</b>	\$198.



Telescope Y-base Worksurface Collision Sensor	For use on Telescope Y-base tables	4"	7 <sup>3</sup> / <sub>4</sub> "	2 <sup>1</sup> / <sub>4</sub> "	<b>YR1TYWCS</b>	254.
---	------------------------------------	----	---------------------------------	---------------------------------	-----------------	------



### Ordering Information

#### Telescope Worksurface Collision Sensor

1. Pattern Number
2. Paint Finish

### Order Code

#### Telescope Worksurface Collision Sensor

*Example:* **YR1TWCS**

<b>YR1T</b>	Telescope
<b>WCS</b>	Worksurface Collision Sensor

### Included With

#### Telescope Worksurface Collision Sensor

Attachment Hardware

### Options

#### Telescope Worksurface Collision Sensor

## Horsepower Planning Guidelines

Horsepower features a simple freestanding structure: the open beam is supported by “A” shaped legs. Horsepower units can be specified as complete kits for single units or can be specified by combining a few basic components for virtually endless runs.

Horsepower enables four planning applications:

### Mobile Horsepower

Lightweight and mobile, the Independent Horsepower has integrated power strips, making it easy to move technology into any space. Mobile Horsepower enables users to connect, access and display technology to support the task at hand.

### Sawhorse Desk

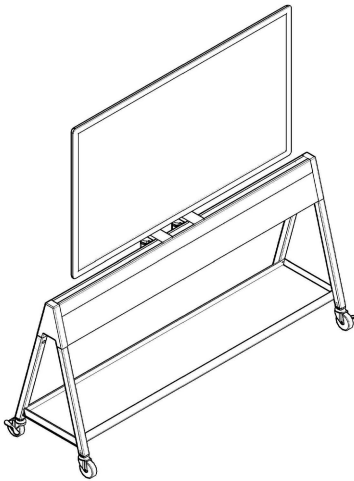
Compact Independent Horsepower units provide desk end support with discreet power access. Sawhorse Desks are assembled from a top, starter rails and two corresponding depth Independent Horsepower units.

### Horsepower Perch

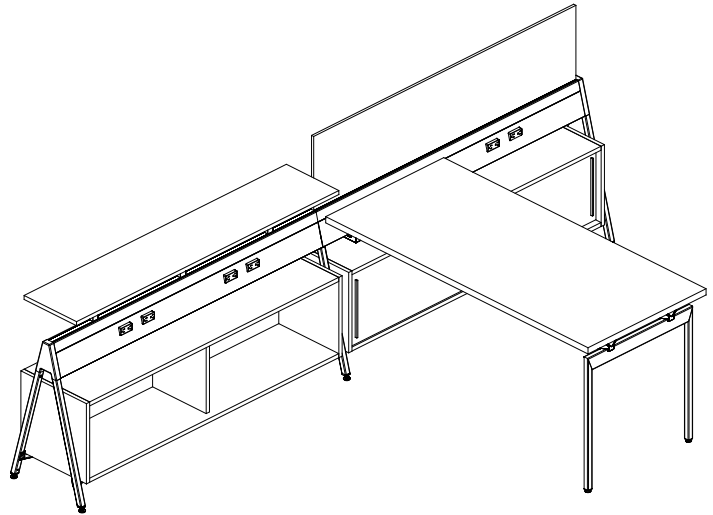
Horsepower Perch invites people to connect—to each other and their devices, offering a comfortable seat for casual exchanges and convenient access to power and USB outlets.

### Horsepower Beam

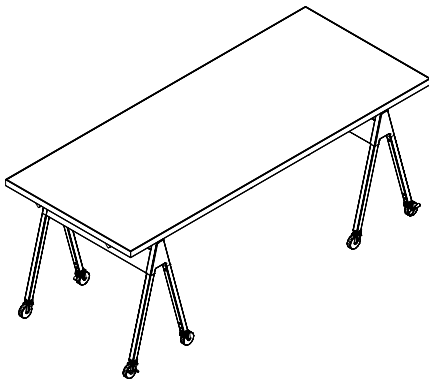
Horsepower features a light open service beam intended to define the center of a cluster or the perimeter of a team space. Horsepower distributes and manages power, data and communications for a group of workspaces through the use of convenient outlets and accessible cable cleats under the beam. The unique Horsepower beam supports the end of a desk, suspended storage and upmounted screens and platforms.



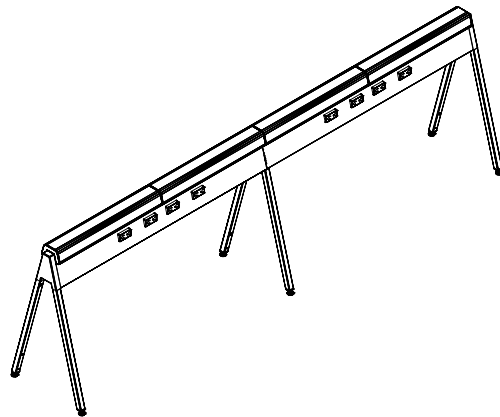
Mobile Horsepower



Horsepower Beam



Sawhorse Desk



Horsepower Perch

Horsepower

The Horsepower Technology Cart brings mobile on-demand screen access to dynamic workspaces by pairing a mobile version of Horsepower with a dedicated Sapper Monitor Arm Collection kit. Four easy order kits are available to accommodate monitors up to 30 lbs. Sapper Monitor Arm kits can be mounted to 30", 36" and 48" wide Independent Horsepower and support screen widths up to 32", 38" and 50" wide overall on corresponding units.

The Horsepower Tech Cart provides external wire management with cable management clips to contain wires along the mast.

**Sapper Horsepower Mount for a 20 lb. monitor** supports a Sleeve Arm for a single monitor up to 20 lbs. on a 24" mast.

**Sapper Horsepower Mount for a 30 lb. monitor** supports a 21-30 lb. monitor on 24" masts using dedicated fixed Sleeve Arms which do not allow the monitor to swivel.

The following components must be specified for a complete Horsepower Tech Cart:

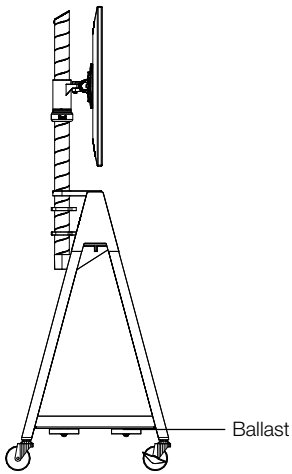
- Independent Horsepower
- Sapper Horsepower 20 lb. or 30 lb. mount (KnollExtra price list)
- Down-mounted cabinet or metal shelf
- Horsepower Ballast Kit

### Construction

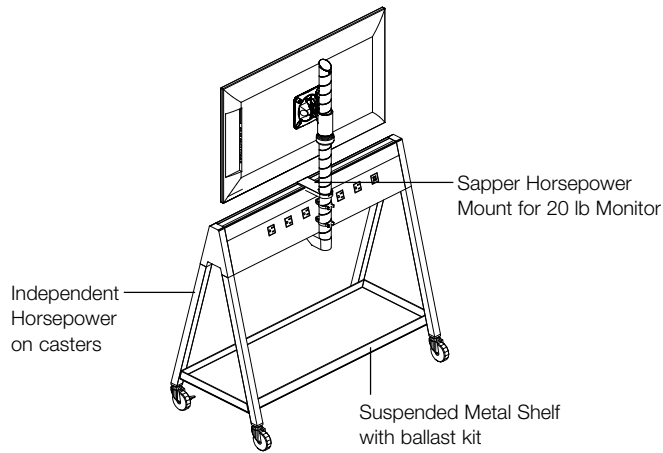
The Sapper mounts are cast aluminum and the VESA plate is painted steel.

### Specification Options

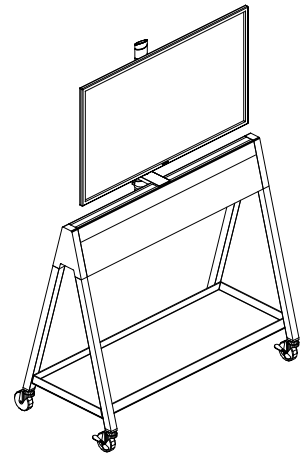
The Sapper mounts are available in any Knoll Core paint finish, Dark Red or Slate Blue. The VESA plates and sleeve arms are available in black.



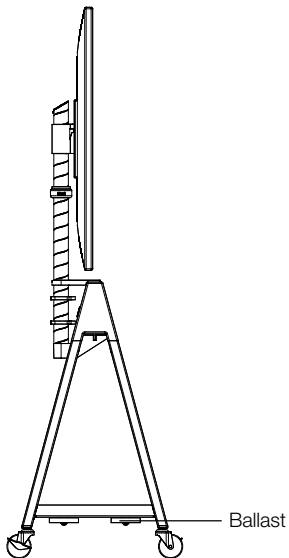
Horsepower Technology Cart End Elevation



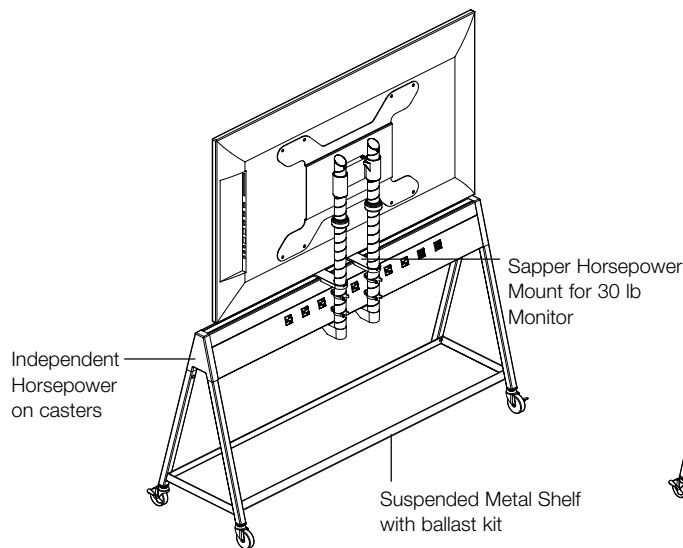
Horsepower Technology Cart



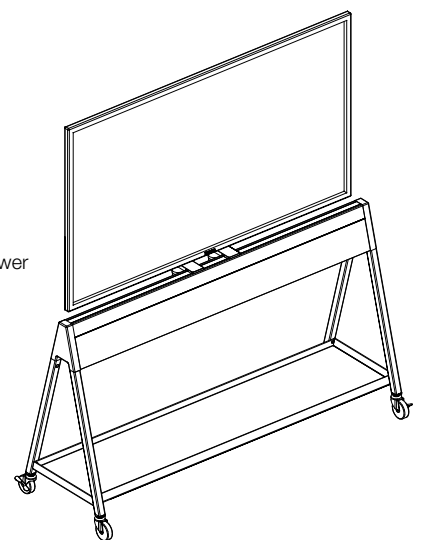
Horsepower Technology Cart



Horsepower Technology Cart End Elevation



Horsepower Technology Cart



Horsepower Technology Cart

# Independent Horsepower

## Planning Guidelines and Specifications

Independent Horsepower units are available as complete kits: including two end legs, beam, covers and optional cord-set power.

Independent Horsepower is available in 24", 30", 36" and 48" wide and can be specified at either 25" or 28½" high on either glides or casters.

Optional cord-set power can be specified on one or both sides and includes: four power simplex outlet positions and one 2-port USB for 24" wide units, six power simplex outlet positions and one 2-port USB for 30" wide units, six power simplex outlet positions and one 2-port USB for 36" wide units and eight power simplex outlet positions and two 2-port USB for 48" wide Independent

Horsepower units. Independent Horsepower is powered by a 15' cord with 3-prong plug for 120V outlets that can connect directly to a building outlet. Independent Horsepower is a listed product with U.L.

- File E476012 Volume 1, Sections 2

Independent Horsepower can be planned with upmounted screens or KnollExtra Sapper Monitor Mounts to support video display on units 30" – 48" wide. Upmounted screens or monitors on Independent Horsepower require a lower shelf or cabinet with corresponding ballast kit. Beam top caps, specified separately, fill the top channel slot of a beam when no screens are planned.

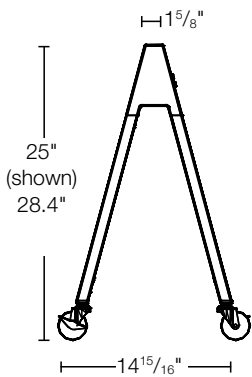
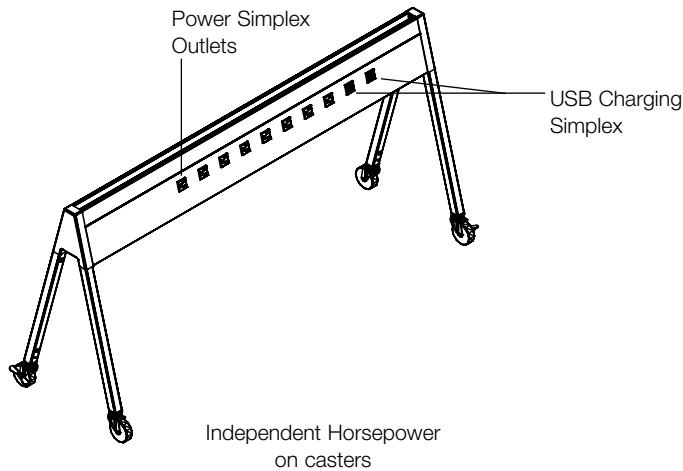
### Construction

Horsepower End Legs include die cast aluminum end caps with 1" square steel legs.

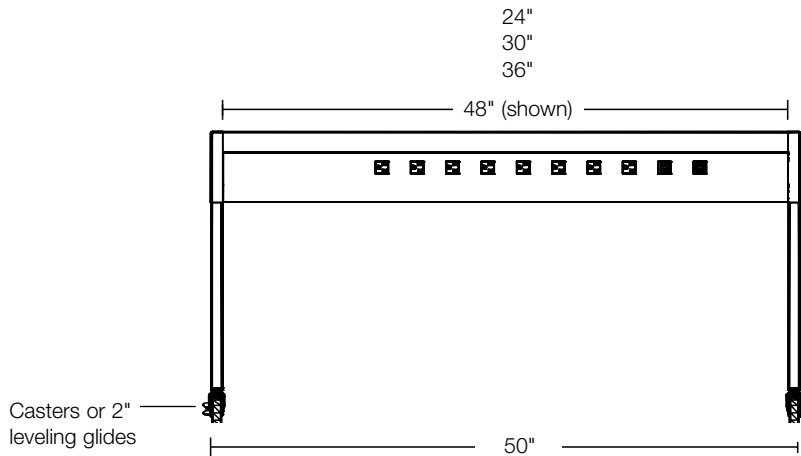
Horsepower Beams and Covers are extruded aluminum.

### Specification

Independent Horsepower frames and covers can be specified in any Knoll Core paint finish, Dark Red, Slate Blue and Black Wrinkle. Power and USB outlets are black.



Independent Horsepower on casters End Elevation

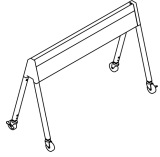


Independent Horsepower on casters Side Elevation

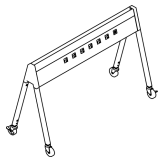
Horsepower

# Independent Horsepower 25" High

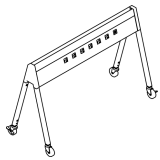
description	type	w	d	h	pattern no.	list
Independent Horsepower, 25"H, Non-powered	Freestanding Horsepower Unit	24"	15"	25"	<b>YHP1K2425NC</b>	\$995.
	Freestanding Horsepower Unit	30"	15"	25"	<b>YHP1K3025NC</b>	1,045.
	Freestanding Horsepower Unit	36"	15"	25"	<b>YHP1K3625NC</b>	1,152.
	Freestanding Horsepower Unit	48"	15"	25"	<b>YHP1K4825NC</b>	1,279.



Independent Horsepower, 25"H, Powered one side	Freestanding Horsepower Unit	24"	15"	25"	<b>YHP1K2425P1C</b>	1,827.
	Freestanding Horsepower Unit	30"	15"	25"	<b>YHP1K3025P1C</b>	2,015.
	Freestanding Horsepower Unit	36"	15"	25"	<b>YHP1K3625P1C</b>	2,091.
	Freestanding Horsepower Unit	48"	15"	25"	<b>YHP1K4825P1C</b>	2,801.



Independent Horsepower, 25"H, Powered both sides	Freestanding Horsepower Unit	24"	15"	25"	<b>YHP1K2425P2C</b>	2,182.
	Freestanding Horsepower Unit	30"	15"	25"	<b>YHP1K3025P2C</b>	2,416.
	Freestanding Horsepower Unit	36"	15"	25"	<b>YHP1K3625P2C</b>	2,487.
	Freestanding Horsepower Unit	48"	15"	25"	<b>YHP1K4825P2C</b>	3,299.



## Ordering Information

### Independent Horsepower

1. Pattern Number
2. Frame Paint Finish
3. Outlet Cover Finish

## Order Code

### Independent Horsepower

*Example:* **YHP1K2425P2C, 118T, 118T**

<b>YHP1K</b>	Independent Horsepower
<b>24</b>	Width
<b>25</b>	Height
<b>P2</b>	Powered Both Sides
<b>C</b>	Casters
<b>118T</b>	Bright White Textured Paint
<b>118T</b>	Bright White Textured Paint

## Included With

### Independent Horsepower

End Legs  
Beam  
Covers  
Plugstrip (if specified with power)  
Leveling Glides or Casters  
Attachment Hardware

## Options

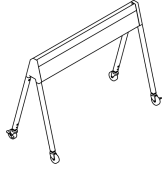
### Independent Horsepower

(C) Glides  
(C) Caster  
For Glides, deduct \$30 from list price

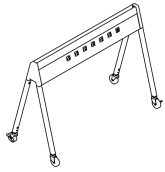
# Independent Horsepower

## 28 1/2" High

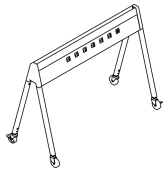
description	type	w	d	h	pattern no.	list
Independent Horsepower, 28"H, Non-powered	Freestanding Horsepower Unit	24"	16 3/4"	28 1/2"	<b>YHP1K2428NC</b>	\$1,015.
	Freestanding Horsepower Unit	30"	16 3/4"	28 1/2"	<b>YHP1K3028NC</b>	1,066.
	Freestanding Horsepower Unit	36"	16 3/4"	28 1/2"	<b>YHP1K3628NC</b>	1,172.
	Freestanding Horsepower Unit	48"	16 3/4"	28 1/2"	<b>YHP1K4828NC</b>	1,299.



Independent Horsepower, 28"H, Powered one side	Freestanding Horsepower Unit	24"	16 3/4"	28 1/2"	<b>YHP1K2428P1C</b>	1,847.
	Freestanding Horsepower Unit	30"	16 3/4"	28 1/2"	<b>YHP1K3028P1C</b>	2,035.
	Freestanding Horsepower Unit	36"	16 3/4"	28 1/2"	<b>YHP1K3628P1C</b>	2,111.
	Freestanding Horsepower Unit	48"	16 3/4"	28 1/2"	<b>YHP1K4828P1C</b>	2,822.



Independent Horsepower, 28"H, Powered both sides	Freestanding Horsepower Unit	24"	16 3/4"	28 1/2"	<b>YHP1K2428P2C</b>	2,203.
	Freestanding Horsepower Unit	30"	16 3/4"	28 1/2"	<b>YHP1K3028P2C</b>	2,436.
	Freestanding Horsepower Unit	36"	16 3/4"	28 1/2"	<b>YHP1K3628P2C</b>	2,507.
	Freestanding Horsepower Unit	48"	16 3/4"	28 1/2"	<b>YHP1K4828P2C</b>	3,319.



Horsepower

### Ordering Information

#### Independent Horsepower

1. Pattern Number
2. Frame Paint Finish
3. Outlet Cover Finish

### Order Code

#### Independent Horsepower

*Example:* **YHP1K2428P2C, 118T, 118T**

<b>YHP1K</b>	Independent Horsepower
<b>24</b>	Width
<b>28</b>	Height
<b>P2</b>	Powered Both Sides
<b>C</b>	Casters
<b>118T</b>	Bright White Textured Paint
<b>118T</b>	Bright White Textured Paint

### Included With

#### Independent Horsepower

- End Legs
- Beam
- Covers
- Plugstrip (if specified with power)
- Leveling Glides or Casters
- Attachment Hardware

### Options

#### Independent Horsepower

- (C) Glides
- (C) Caster
- For Glides, deduct \$30 from list price

# Linked Horsepower

## Planning Guidelines and Specifications

Linked Horsepower enables tables and desk arrangements to be moved independently of the beam channel, or can be used to support one end of a desk.

Linked Horsepower can be configured at desk top height or at 25" height for a convenient perch in community spaces to sit and recharge. At either horizon, Horsepower can also support upmounted platforms, privacy screens or KnollExtra LED lighting as well as suspended storage. A Linked Horsepower configuration consists of various individual components: legs, beams, covers and power components.

Linked Horsepower includes two leg types for support: End Legs provide support at either end of a continuous run of connected beams and Mid Legs provide for support and connection between beams up to 72" wide mounted end-to-end. End Legs are outside of the module width, adding 1" on either end of a continuous run of Linked Horsepower. Mid legs are positioned centered between

adjacent beams and covers to maintain a consistent module width if planned with Antenna workstations. Legs include levelers with 1½" of adjustability. End legs are also available on casters for configuring a single mobile section of Horsepower with no power.

Horsepower beams include an upper and lower extruded aluminum beam that mounts between legs to create an open service channel for modular power distribution or hardwired outlet boxes. Beams are available 36", 48", 60", 66" and 72" wide. The upper beam features a continuous top channel for mounting various components. Beam top caps fill the top channel slot of a beam when no screens are planned. When upmounted platforms or KnollExtra T-lights are mounted to the top beam, top caps can be trimmed in the field to fit around brackets.

The lower beam features two oval cutouts on either end to allow for cable pass through to the power channel.

Horsepower Covers mount on either side of the open beam channel to conceal power distribution or provide enclosure for the open channel. Covers are available with or without outlet cutouts for access to power receptacles.

### Construction

Horsepower End Legs include die cast zinc end caps with 1" square steel legs

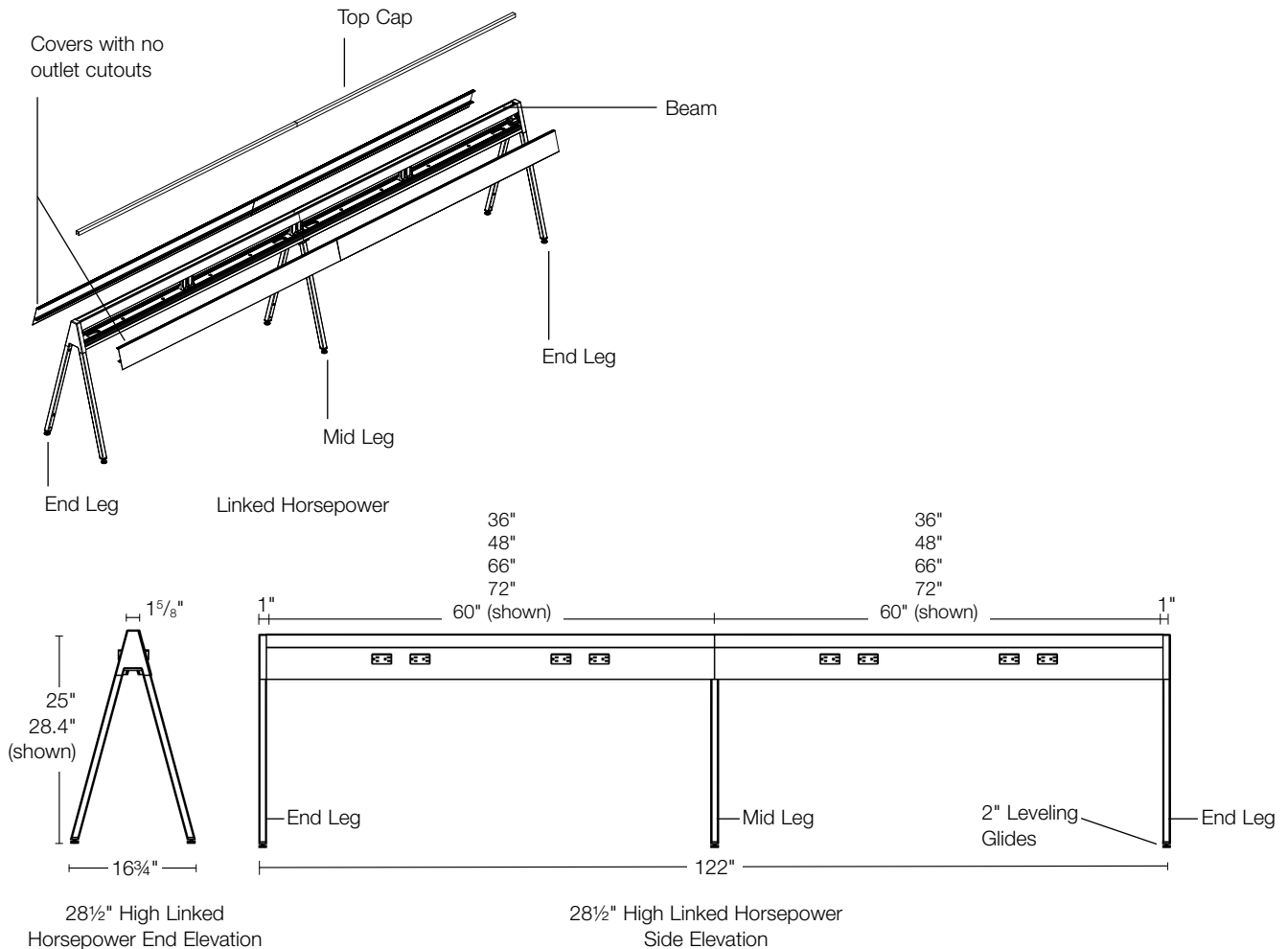
Horsepower Mid Legs include a steel top mounting plate, steel support column and 1" square steel legs.

Horsepower Beams and Covers are extruded aluminum.

### Specification Options

Beams, legs and covers are available in any Knoll core, Dark Red, Slate Blue or Black Wrinkle paint finish.

Beam top caps are available in any Knoll core, Dark Red or Slate Blue paint finish.



# Legs for Linked Horsepower 25" and 28<sup>1</sup>/<sub>2</sub>" High

description	type	w	d	h	pattern no.	list
Horsepower End Leg with Glides		15"	1"	25"	<b>YHP1A25G</b>	\$310.
		16 <sup>3</sup> / <sub>4</sub> "	1"	28 <sup>1</sup> / <sub>2</sub> "	<b>YHP1A28G</b>	320.



Horsepower End Leg with Casters		15"	1"	25"	<b>YHP1A25C</b>	330.
		16 <sup>3</sup> / <sub>4</sub> "	1"	28 <sup>1</sup> / <sub>2</sub> "	<b>YHP1A28C</b>	335.



Horsepower Mid Leg with Glides		15"	1"	25"	<b>YHP1M25</b>	431.
		16 <sup>3</sup> / <sub>4</sub> "	1"	28 <sup>1</sup> / <sub>2</sub> "	<b>YHP1M28</b>	442.

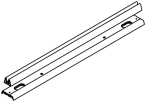
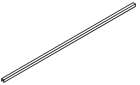


Ordering Information	Order Code	Included With	Options
<b>Horsepower Legs</b>	<b>Horsepower Legs</b>	<b>Horsepower Legs</b>	<b>Horsepower Legs</b>
1. Pattern Number	<i>Example:</i> <b>YHP1A28G, 118T</b>	Leg	
2. Paint Finish	<b>YHP1A</b> Horsepower End Leg	Leveling Glides or Casters	
	<b>28</b> Height	Attachment Hardware	
	<b>G</b> Glides		



# Beams for Linked Horsepower

## *Beam and Top Caps*

description	type	w	d	h	pattern no.	list
 Horsepower Beams	For 36" Wide Horsepower	36"W	4 <sup>3</sup> / <sub>8</sub> "	5 <sup>3</sup> / <sub>4</sub> "	<b>YHP1B36</b>	\$330.
	For 48" Wide Horsepower	48"W	4 <sup>3</sup> / <sub>8</sub> "	5 <sup>3</sup> / <sub>4</sub> "	<b>YHP1B48</b>	421.
	For 60" Wide Horsepower	60"W	4 <sup>3</sup> / <sub>8</sub> "	5 <sup>3</sup> / <sub>4</sub> "	<b>YHP1B60</b>	614.
	For 66" Wide Horsepower	66"W	4 <sup>3</sup> / <sub>8</sub> "	5 <sup>3</sup> / <sub>4</sub> "	<b>YHP1B66</b>	619.
	For 72" Wide Horsepower	72"W	4 <sup>3</sup> / <sub>8</sub> "	5 <sup>3</sup> / <sub>4</sub> "	<b>YHP1B72</b>	624.
 Horsepower Top Caps	For 24" Wide Horsepower Beam	24"W	5/ <sub>6</sub> "	5/ <sub>6</sub> "	<b>YCBCC24</b>	43.
	For 30" Wide Horsepower Beam	30"W	5/ <sub>6</sub> "	5/ <sub>6</sub> "	<b>YCBCC30</b>	48.
	For 36" Wide Horsepower Beam	36"W	5/ <sub>6</sub> "	5/ <sub>6</sub> "	<b>YCBCC36</b>	53.
	For 48" Wide Horsepower Beam	48"W	5/ <sub>6</sub> "	5/ <sub>6</sub> "	<b>YCBCC48</b>	56.
	For 60" Wide Horsepower Beam	60"W	5/ <sub>6</sub> "	5/ <sub>6</sub> "	<b>YCBCC60</b>	70.
	For 66" Wide Horsepower Beam	66"W	5/ <sub>6</sub> "	5/ <sub>6</sub> "	<b>YCBCC66</b>	75.
	For 72" Wide Horsepower Beam	72"W	5/ <sub>6</sub> "	5/ <sub>6</sub> "	<b>YCBCC72</b>	81.

### Ordering Information

#### Horsepower Beam

1. Pattern Number
2. Paint Finish

#### Horsepower Top Cap

1. Pattern Number
2. Paint Finish

### Order Code

#### Horsepower Beam

*Example:* **YHP1B36, 118T**

**YHP1B** Horsepower Beam  
**36** Width

#### Horsepower Top Cap

*Example:* **YCBCC36, 118T**

**YCBCC** Horsepower Top Cap  
**36** Width

### Included With

**Horsepower Beam**  
Top Beam  
Bottom Beam

**Horsepower Top Cap**

### Options

**Horsepower Beam**  
**Horsepower Top Cap**

# Covers for Linked Horsepower

## Planning Guidelines and Specifications

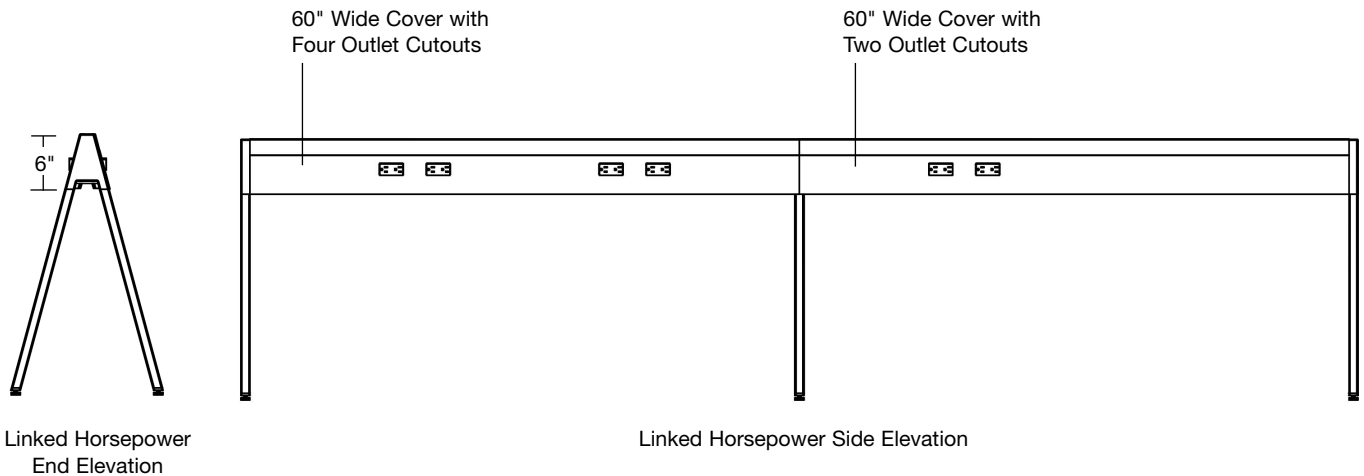
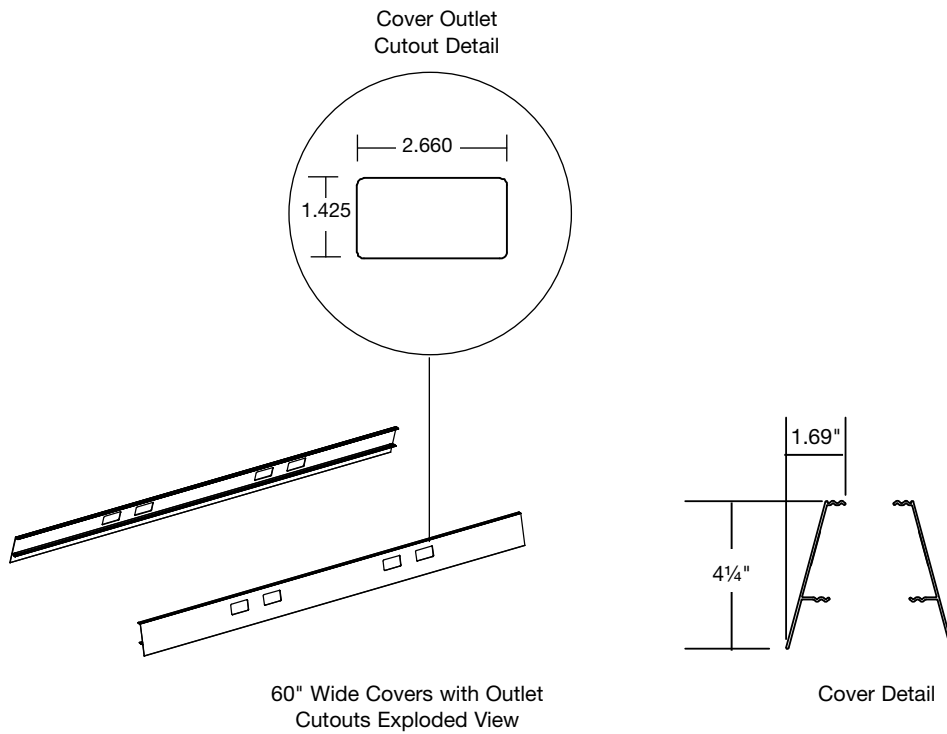
Horsepower Covers are 4¼" high and mount at an angle over Horsepower top and bottom beams to conceal the power channel. Horsepower Covers are specified as a pair and are available with or without outlet cutouts. Covers with outlet cutouts feature two cutouts for 36" wide, four cutouts for 48" wide, and two or four cutouts for 60", 66" and 72" wide covers.

### Construction

Covers are extruded aluminum with integral top and bottom hook details.

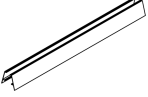
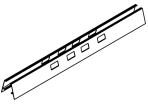
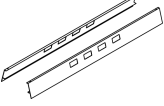
### Specification Options

Covers are available in any Knoll core, Dark Red, Slate Blue or Black Wrinkle paint finish.



Horsepower

# Covers for Linked Horsepower Powered and Non-Powered

description	type	w	pattern no.	list
Horsepower Covers (pair), No Outlet Openings 	For 36" Wide Horsepower Beam	36"W	<b>YHP1C36N</b>	\$162.
	For 48" Wide Horsepower Beam	48"W	<b>YHP1C48N</b>	208.
	For 60" Wide Horsepower Beam	60"W	<b>YHP1C60N</b>	284.
	For 66" Wide Horsepower Beam	66"W	<b>YHP1C66N</b>	289.
	For 72" Wide Horsepower Beam	72"W	<b>YHP1C72N</b>	294.
Horsepower Covers (pair), Duplex Outlet Openings Both Sides  (YHP1C484P shown)	For 36" Wide Horsepower Beam, two duplex outlet openings on each side	36"W	<b>YHP1C362P</b>	218.
	For 48" Wide Horsepower Beam, four duplex outlet openings on each side	48"W	<b>YHP1C484P</b>	269.
	For 60" Wide Horsepower Beam, two duplex outlet openings on each side	60"W	<b>YHP1C602P</b>	340.
	For 60" Wide Horsepower Beam, four duplex outlet openings on each side	60"W	<b>YHP1C604P</b>	345.
	For 66" Wide Horsepower Beam, two duplex outlet openings on each side	66"W	<b>YHP1C662P</b>	345.
	For 66" Wide Horsepower Beam, four duplex outlet openings on each side	66"W	<b>YHP1C664P</b>	350.
	For 72" Wide Horsepower Beam, two duplex outlet openings on each side	72"W	<b>YHP1C722P</b>	350.
	For 72" Wide Horsepower Beam, four duplex outlet openings on each side	72"W	<b>YHP1C724P</b>	355.
	Horsepower Covers (pair), Duplex Outlet Openings for Hardwired Outlets Both Sides 	For 36" Wide Horsepower Beam, two duplex outlet openings on each side	36"W	<b>YHP2C362H</b>
For 48" Wide Horsepower Beam, four duplex outlet openings on each side		48"W	<b>YHP2C484H</b>	269.
For 60" Wide Horsepower Beam, two duplex outlet openings on each side		60"W	<b>YHP2C602H</b>	340.
For 60" Wide Horsepower Beam, four duplex outlet openings on each side		60"W	<b>YHP2C604H</b>	345.
For 66" Wide Horsepower Beam, two duplex outlet openings on each side		66"W	<b>YHP2C662H</b>	345.
For 66" Wide Horsepower Beam, four duplex outlet openings on each side		66"W	<b>YHP2C664H</b>	350.
For 72" Wide Horsepower Beam, two duplex outlet openings on each side		72"W	<b>YHP2C722H</b>	350.
For 72" Wide Horsepower Beam, four duplex outlet openings on each side		72"W	<b>YHP2C724H</b>	355.

## Ordering Information

### Horsepower Covers

1. Pattern Number
2. Paint Finish

## Order Code

### Horsepower Covers

*Example:* **YHP1C604P, 118T**

<b>YHP1C</b>	Horsepower Covers
<b>60</b>	Width
<b>4P</b>	4 Duplex Outlet Openings

## Included With

**Horsepower Covers**  
Covers (pair)  
Screws (hardwire only)

## Options

**Horsepower Covers**

### Antenna Desk Support

Antenna desk support adapters are available for 28" high Linked Horsepower applications when Antenna tops are mounted perpendicular to the Horsepower beam. Desk support adapters connect the desk rails to the supporting Horsepower beam.

### Antenna Simple Table Support

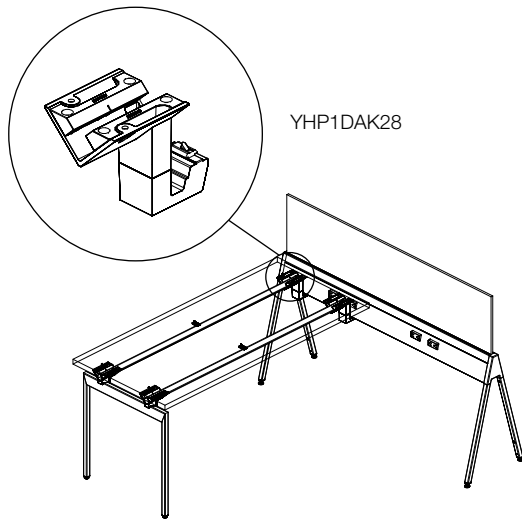
Antenna Simple Table support adapters are available for 28" high Linked Horsepower applications when High Range Desk Height Simple Tables are mounted parallel or perpendicular to the Horsepower beam. Desk support adapters connect metal inserts in the top to the supporting Horsepower Beam.

### Construction

Desk and table adapters consist of painted, die cast aluminum cradles and brackets.

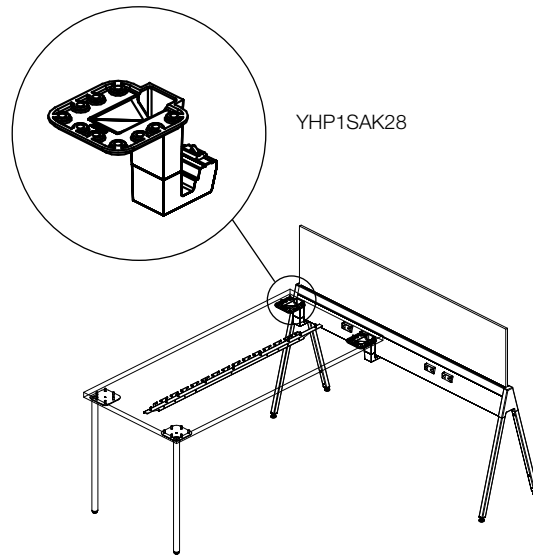
### Specification Options

Specify desk support adapters in any Knoll core, Dark Red, Slate Blue, or Black Wrinkle paint finish.



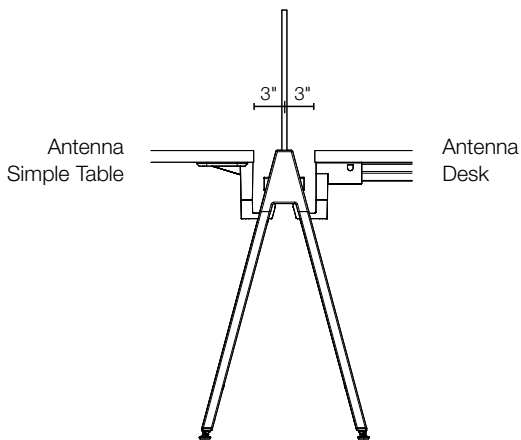
YHP1DAK28

Antenna Desk Supported by 28½" High Horsepower

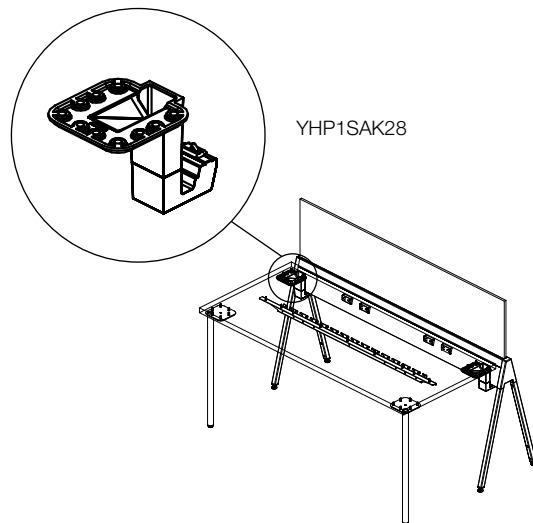


YHP1SAK28

Antenna Simple Table, Desk Height High Range, Supported by 28½" High Horsepower



28½" High Linked Horsepower Supporting Desks, End Elevation



YHP1SAK28

Antenna Simple Table, Desk Height High Range, Supported by 28½" High Horsepower

# Horsepower Desk Support Adapters

## Planning Guidelines and Specifications

### Sawhorse Desk

Sawhorse Desks can be configured by using Sawhorse desk support adapters, an Antenna rectangular desk top, a pair of starter rails, and two corresponding depth Independent Horsepower units on glides or casters.

Sawhorse desk support adapters connect the desk rails to the supporting Independent Horsepower unit and the underside of the top. The desk support adapters mount onto the top channel of a 25"H Independent Horsepower beam to support a worksurface height of 28½"H.

Tops for Sawhorse desk planning are full dimension, 27", 30", 36", 42" and 48" depths, and available in every 6" increment of width from 54"-96".

Tops 27" and 30" deep are supported by two 24" wide Independent Horsepower units, tops 36" deep are supported with two 30" wide Independent Horsepower units, and tops 42" and 48" deep are supported with two 36" wide Independent Horsepower units.

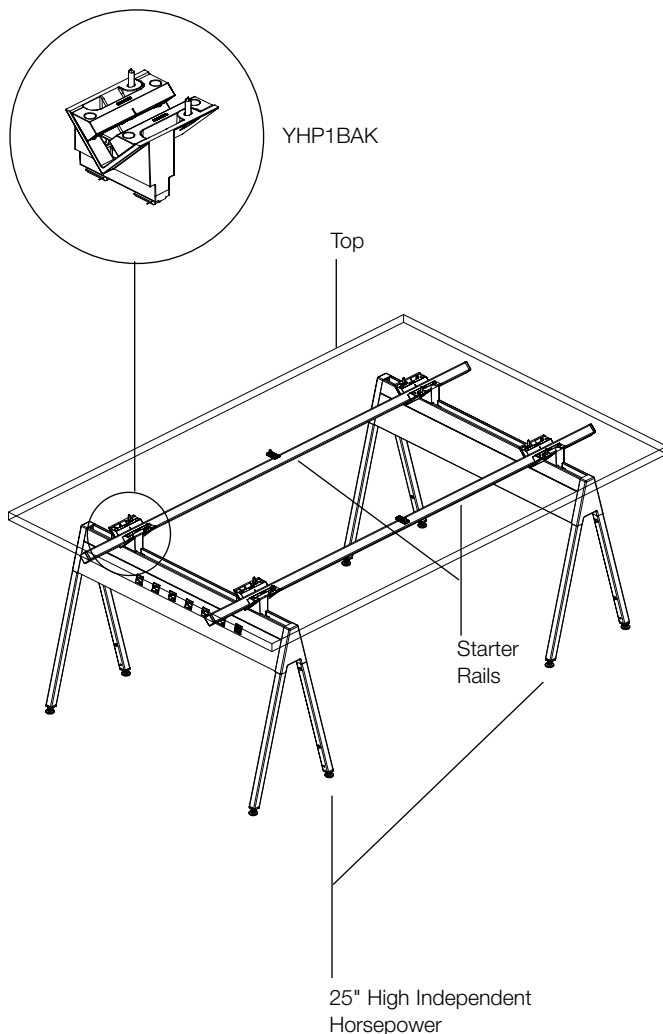
Starter rails are inset 1½" from each end of the top and Independent Horsepower supports are inset 9" from each end of the top to centerline of the Horsepower.

### Construction

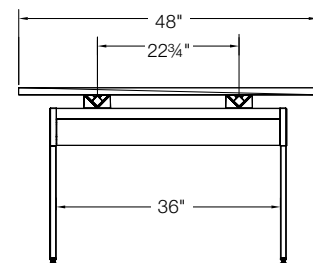
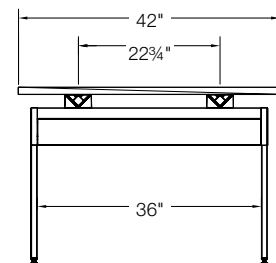
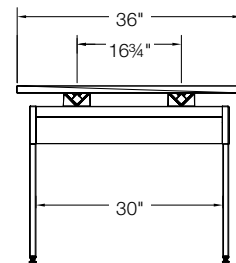
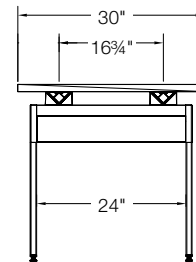
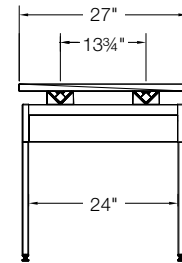
Sawhorse desk adapters consist of painted cast aluminum cradles and brackets.

### Specification Options

Specify desk support adapters in any Knoll core, Dark Red, Slate Blue, or Black Wrinkle paint finish.



Sawhorse Rail Spacing Diagram

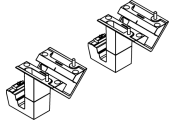


# Horsepower Desk Support Adapters

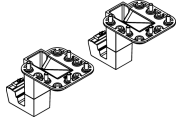
Antenna Workspaces

*For Antenna Desk, Antenna Simple Tables and Sawhorse Desk*

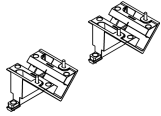
description	type	w	d	h	pattern no.	list
Horsepower to Antenna Desk Support Adapters (pair)	For use with 28"H Linked Horsepower	4"	6 <sup>3</sup> / <sub>4</sub> "	5 <sup>1</sup> / <sub>2</sub> "	<b>YHP1DAK28</b>	\$183.



Horsepower to Antenna Simple Table Support Adapters (pair)	For use with 28"H Linked Horsepower	5"	5"	5 <sup>1</sup> / <sub>2</sub> "	<b>YHP1SAK28</b>	173.
--	-------------------------------------	----	----	---------------------------------	------------------	------



Sawhorse Desk Support Adapters (pair)	For use with 25"H Independent Horsepower	4"	4 <sup>1</sup> / <sub>2</sub> "	3 <sup>1</sup> / <sub>4</sub> "	<b>YHP1BAK</b>	183.
---------------------------------------	--	----	---------------------------------	---------------------------------	----------------	------



Horsepower

Ordering Information	Order Code	Included With	Options
<b>Adapters</b>	<b>Horsepower Support Adapters</b>	<b>Horsepower Support Adapters</b>	<b>Horsepower Support Adapters</b>
1. Pattern Number	<i>Example:</i> <b>YHP1DAK28, 118T</b>	Hardware	
2. Paint Finish	<b>YHP1</b> Horsepower Adapter		
	<b>DAK</b> Antenna Desk		
	<b>28</b> Height		
	<b>118T</b> Bright White Paint		

## Electrical Components for Linked Horsepower

Linked Horsepower can be powered by a modular distribution system featuring standard Knoll 2+2 and 3+3 eight- and ten-wire power systems. From a single point of connection to the building power supply, the Horsepower beam channel can distribute four or six 20-amp circuits. Depending on national and local electrical codes, and the anticipated load of a particular application, each circuit may support as many as 10 or more duplex outlets.

The central component is the power harness, which can be mounted in the Horsepower beam channel, located 12" from either end of a beam.

The power harness accepts snap-in duplex outlets on each face. Each end of the harness has ports for two jumper cables, or a power infeed and a jumper cable. The power infeed connects power from a building junction box, and jumpers connect power from one harness to another, in either direction.

Power harnesses are available in two sizes: 12" wide, with two duplex outlet locations on each face, and 24" wide, with four outlet locations on each face. For 36" wide Horsepower frames, one 12" harness is located centered, 12" from either end of the beam. For 48" wide Horsepower beams, one 24" wide harness is located centered, 12" from either end of the beam. For 60", 66" and 72" wide Horsepower beams, one 12" harness can be located 12" in from either or both ends of the beam.

Extended face duplex outlets extend to protrude through the outlet cover openings and must be specified separately to access one of the four or six circuits. Outlets for all circuits can be specific in black with white letters identifying circuits and with a controlled stamp to comply with California Title 24 Code. Outlets for circuits X, Y, Z are also available in orange with black letters, or black with orange triangles and letters to designate protected circuits. Simplex, 2-port USB outlets are available in all circuits.

## Jumpers

Jumper cables are available in various lengths up to 96" wide to link power between harnesses. To calculate the jumper width required to join between two harnesses in the same beam, take the beam width and subtract 48". Power harnesses planned next to each other in adjacent beams require a 24" wide jumper.

## Preconfigured Power Harness Kits

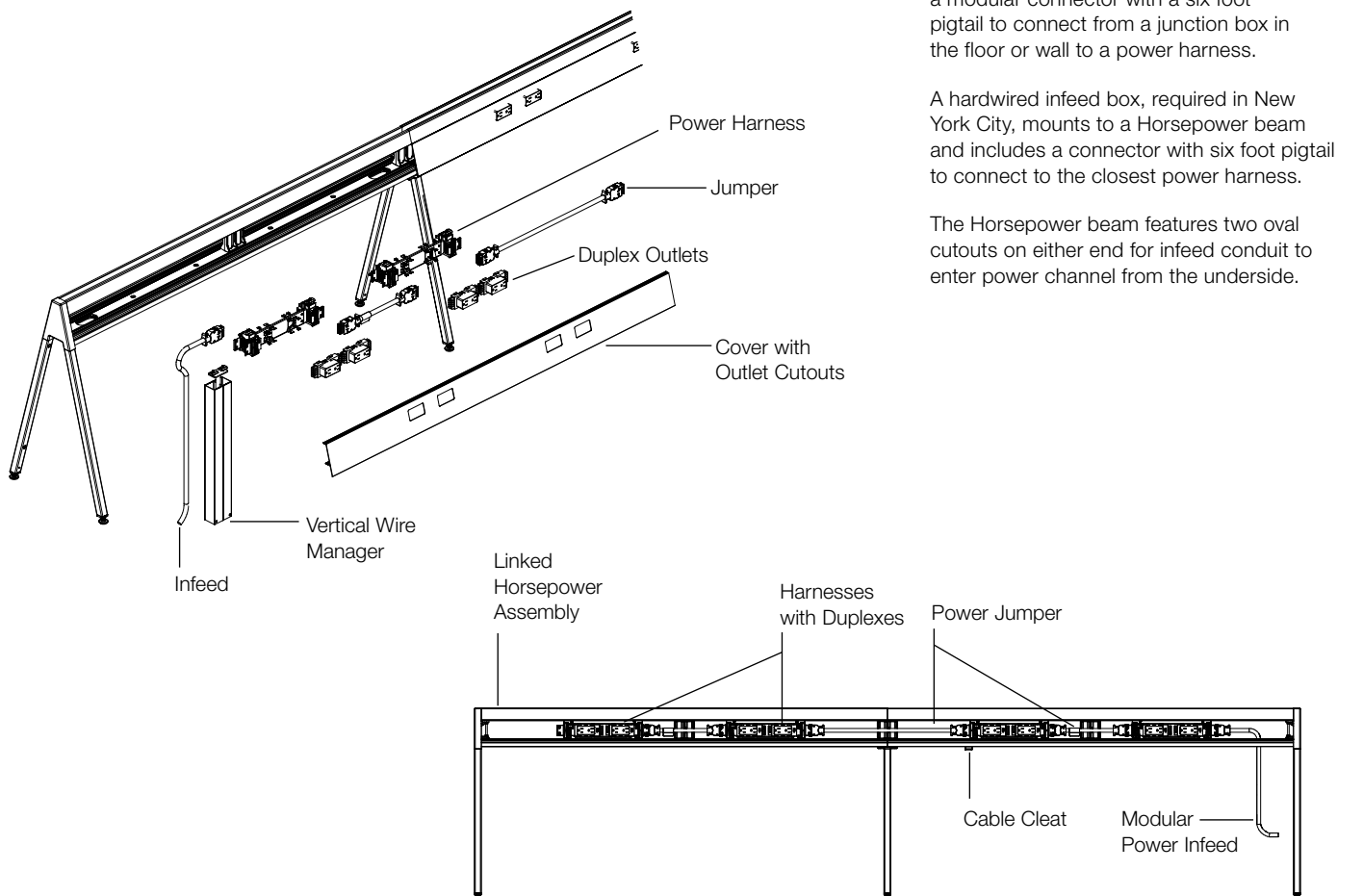
Single and Double Power Harness Kits for 60", 66" and 72" beam applications are configured to make specifying simple for the most frequently planned configurations. The Single Power Harness Kit includes a 12" wide harness and a jumper to the harness in the same location in the next beam. The Double Power Harness Kit includes two 12" wide harnesses and the jumper between those harnesses in the same frame.

## Infeeds

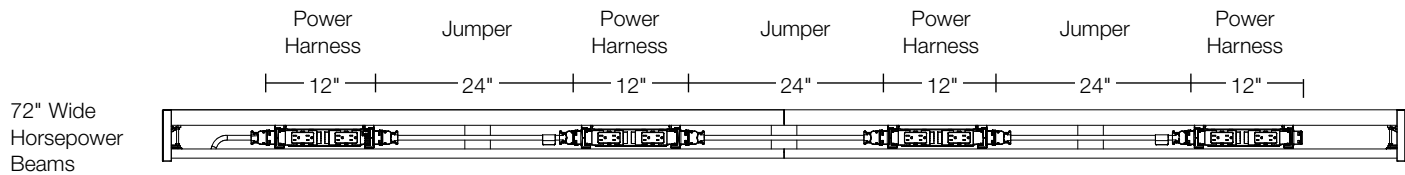
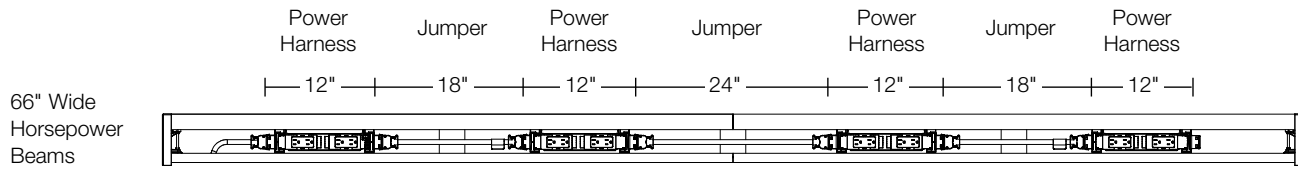
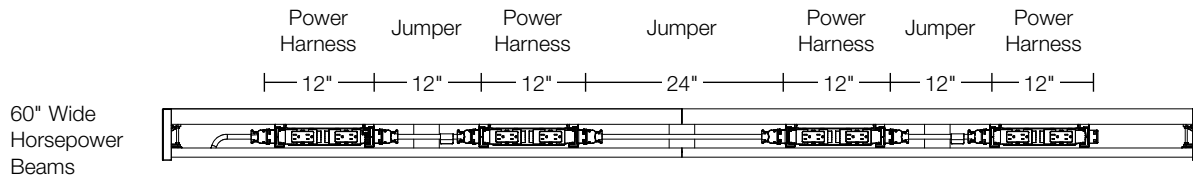
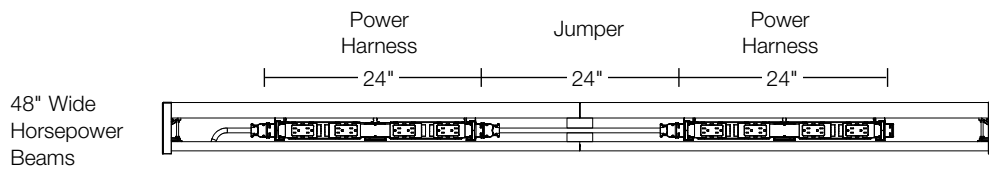
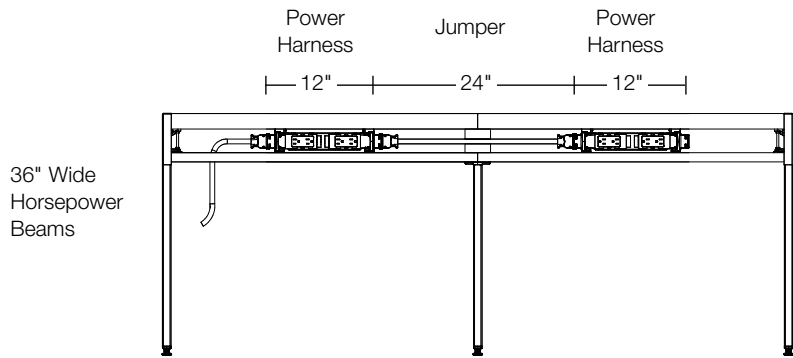
Two types of power infeeds are available to connect the channel from the building power supply. The modular infeed has a modular connector with a six foot pigtail to connect from a junction box in the floor or wall to a power harness.

A hardwired infeed box, required in New York City, mounts to a Horsepower beam and includes a connector with six foot pigtail to connect to the closest power harness.

The Horsepower beam features two oval cutouts on either end for infeed conduit to enter power channel from the underside.



### Linked Horsepower Electrical Layouts



Horsepower

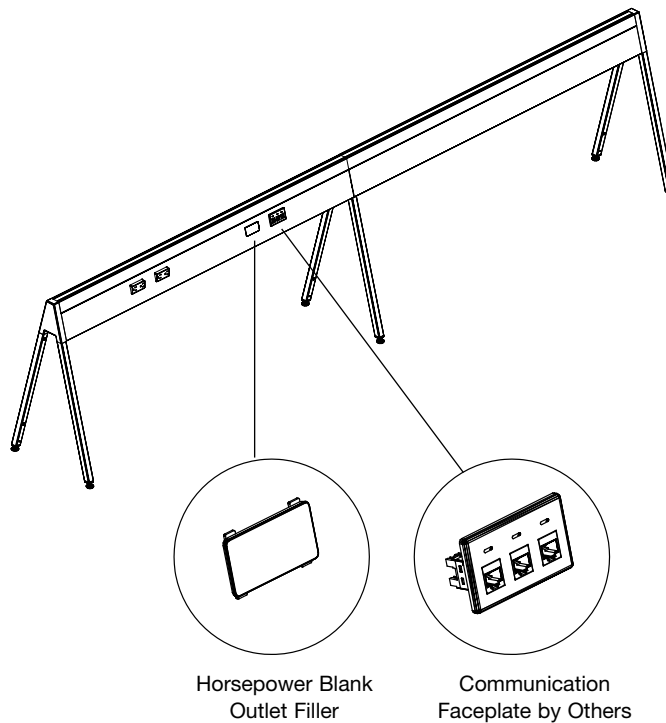


### Data and Communications

Data and communication faceplates can occupy one or more of the factory outlet cutouts in Horsepower Covers. Power harnesses cannot be located directly behind a data faceplate.

The PDC module extension kit is a set of ten collars that snap securely into an outlet opening in Horsepower covers to project a new outlet mounting position  $\frac{1}{2}$ " away from the face of the box or cover. The added depth can be crucial if communications connectors are unusually deep and are arrayed back to back in the Horsepower channel.

Outlet fillers are a kit of ten plastic filler plates that flex to snap securely into any unused outlet opening in Horsepower covers. Installed covers are designed to closely mimic the appearance of adjacent power outlets. Fillers are black injection molded plastic.



## 2+2

Four 20-amp circuits, 8 wire configuration with four hots (12 gauge), two neutrals (10 gauge, 35A rated), two grounds.

Power harness and outlet modules: steel enclosure between molded polypropylene distribution blocks, 8-wire.

**Jumper cables:** flexible steel conduit with strain relief, 8-wire

**Outlets:** molded polycarbonate duplex preconfigured as circuit A, B (black), X, Y (black, orange or black with orange triangle)

**Infeed:** watertight conduit with 6' whip or hardwire box mounted to beam, 8-wire

Load should be balanced evenly among power circuits. In accordance with NEC2011 Article 210, the permissible load should not exceed 80% of the circuit ampere rating (which is 16 amps on each 20 amp branch circuit).

## 3+3

Six 20-amp circuits, 10 wire configuration with six hots (12 gauge), two neutrals (10 gauge, 35A rated), two grounds.

Power harness and outlet modules: steel enclosure between molded polypropylene distribution blocks, 10-wire.

**Jumper cables:** flexible steel conduit with strain relief, 10-wire

**Outlets:** molded polycarbonate duplex preconfigured as circuit A, B, C (black), X, Y, Z (black, orange or black with orange triangle)

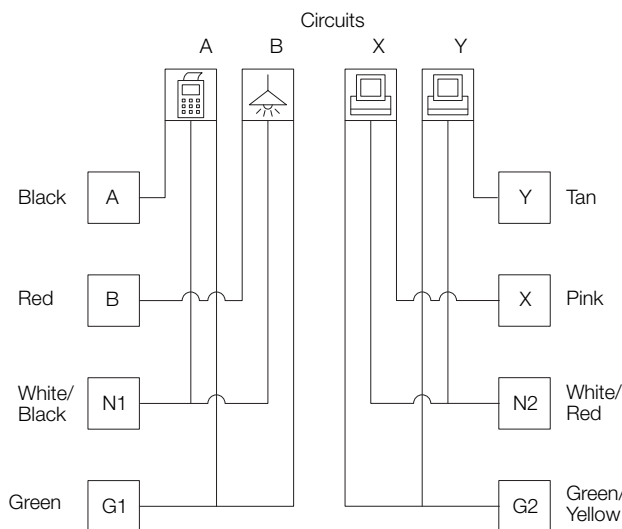
**Infeed:** watertight conduit with 6' whip or hardwire box mounted to beam, 10-wire

Load should be balanced evenly among power circuits. In accordance with NEC2011 Article 210, the permissible load should not exceed 80% of the circuit ampere rating (which is 16 amps on each 20 amp branch circuit).

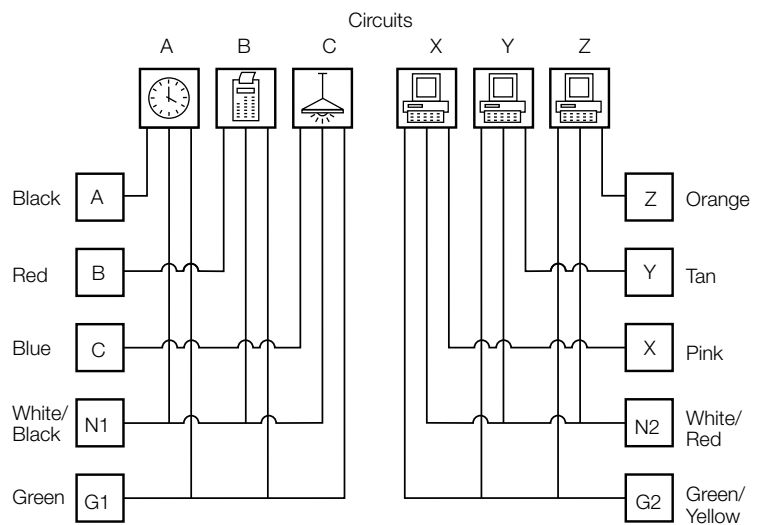
Horsepower is a listed product with U.L. in the QAWZ office furnishings category.

- File E76704 Volume 13, Section 1 (Furniture)
- File E76704 Volume 5, Section 5 (Electrical Accessories)

Wiring Diagram (2+2)

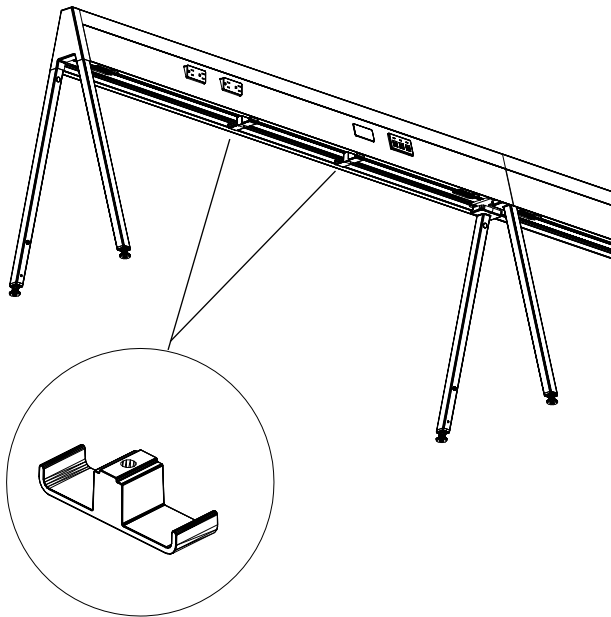


Wiring Diagram (3+3)



### Cable Cleats for Horsepower Beam

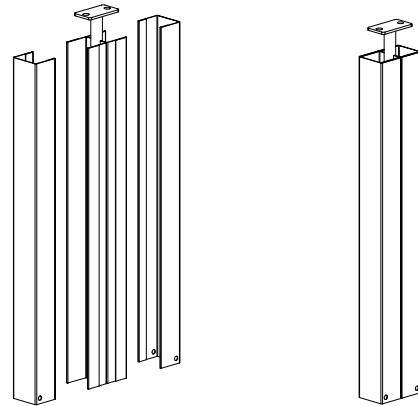
Cable Cleats for Horsepower attach to the underside of the beam to manage small bundles of data cables separately from power. Data cables can then enter and exit two oval cutouts at either of the beam as necessary. Up to twelve CAT6 cables, six on each side, can be managed by the clip.



Cable Cleats for Horsepower Beam

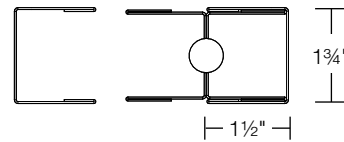
### Vertical Wire Manager

For Horsepower, cables can be managed from the floor up to the underside of the beam by a vertical wire manager. The H-shape internal frame is suspended from the beam, and provides lay-in channels separating power from data communication cables. U-shape side covers snap onto the frame to manage and conceal cables.



Vertical Wire Manager  
Exploded Detail

Vertical Wire Manager  
Assembly

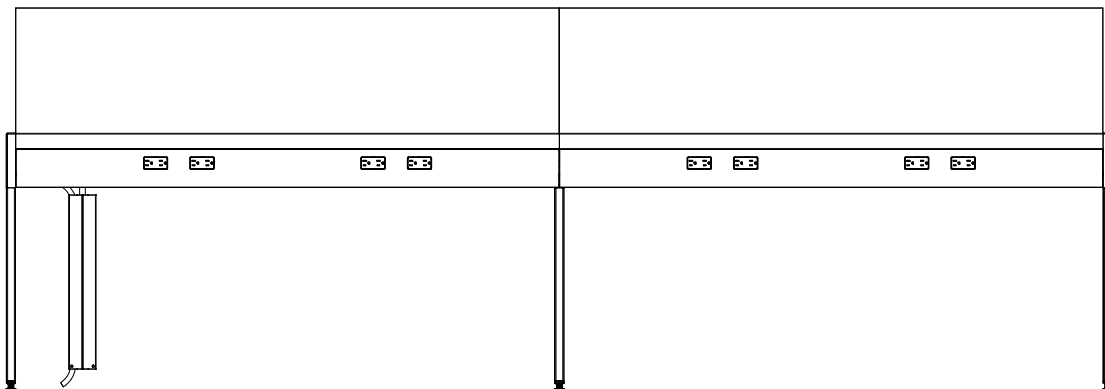


1 1/2"

1 3/4"

1 1/2"

1 1/2"



Horsepower with Vertical Wire Manager Elevation

### Construction

Cable clips are die cast aluminum. Vertical wire manger frames and covers are formed steel.

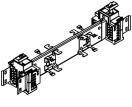
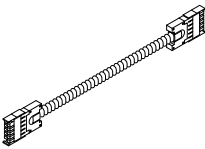
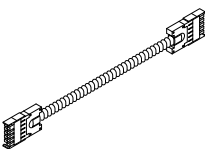
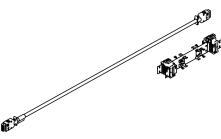
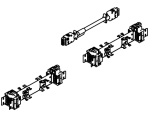
Hardwired Outlet box is black ABS and mounting bracket is painted steel.

### Specification Options

Cable clips are medium grey. Vertical wire managers may be specified in any Knoll Core paint finish, Dark Red, Slate Blue or Black Wrinkle.

# Electrical Components for Horsepower

## 2 + 2, 3 + 3 and 4-4-2 Electrical Systems

description	type	w	d	h	pattern no.	list
 Power Harnesses	2+2, (2) Duplex Outlets per Side	12"	2"	2"	<b>YRPHE12</b>	\$196.
	2+2, (4) Duplex Outlets per Side	24"	2"	2"	<b>YRPHE24</b>	356.
	3+3, (2) Duplex Outlets per Side	12"	2"	2"	<b>YRPHT12</b>	222.
	3+3, (4) Duplex Outlets per Side	24"	2"	2"	<b>YRPHT24</b>	427.
	4-4-2, (4) Duplex Outlets per Side	24"	2"	2"	<b>YRPHX24</b>	448.
 Jumper Cable, 2+2	For 12" between power harnesses	12"	1"	1"	<b>YR1EJ12</b>	114.
	For 18" between power harnesses	18"	1"	1"	<b>YR1EJ18</b>	123.
	For 24" between power harnesses	24"	1"	1"	<b>YR1EJ24</b>	130.
	For 48" between power harnesses	48"	1"	1"	<b>YR1EJ48</b>	170.
	For 54" between power harnesses	54"	1"	1"	<b>YR1EJ54</b>	176.
	For 60" between power harnesses	60"	1"	1"	<b>YR1EJ60</b>	188.
	For 72" between power harnesses	72"	1"	1"	<b>YR1EJ72</b>	205.
	For 84" between power harnesses	84"	1"	1"	<b>YR1EJ84</b>	225.
	For 96" between power harnesses	96"	1"	1"	<b>YR1EJ96</b>	244.
 Jumper Cable, 3+3	For 12" between power harnesses	12"	1"	1"	<b>YR1TJ12</b>	147.
	For 18" between power harnesses	18"	1"	1"	<b>YR1TJ18</b>	160.
	For 24" between power harnesses	24"	1"	1"	<b>YR1TJ24</b>	170.
	For 48" between power harnesses	48"	1"	1"	<b>YR1TJ48</b>	220.
	For 54" between power harnesses	54"	1"	1"	<b>YR1TJ54</b>	227.
	For 60" between power harnesses	60"	1"	1"	<b>YR1TJ60</b>	244.
	For 72" between power harnesses	72"	1"	1"	<b>YR1TJ72</b>	265.
	For 84" between power harnesses	84"	1"	1"	<b>YR1TJ84</b>	295.
	For 96" between power harnesses	96"	1"	1"	<b>YR1TJ96</b>	318.
 Single Power Harness Kit	2+2, For 60"W Horsepower Beam	60"	2"	2"	<b>YHP1HEK160</b>	365.
	2+2, For 66"W Horsepower Beam	66"	2"	2"	<b>YHP1HEK166</b>	371.
	2+2, For 72"W Horsepower Beam	72"	2"	2"	<b>YHP1HEK172</b>	382.
	3+3, For 60"W Horsepower Beam	60"	2"	2"	<b>YHP1HTK160</b>	444.
	3+3, For 66"W Horsepower Beam	66"	2"	2"	<b>YHP1HTK166</b>	452.
	3+3, For 72"W Horsepower Beam	72"	2"	2"	<b>YHP1HTK172</b>	466.
 Double Power Harness Kit	2+2, For 60"W Horsepower Beam	36"	2"	2"	<b>YHP1HEK260</b>	504.
	2+2, For 66"W Horsepower Beam	42"	2"	2"	<b>YHP1HEK266</b>	514.
	2+2, For 72"W Horsepower Beam	48"	2"	2"	<b>YHP1HEK272</b>	522.
	3+3, For 60"W Horsepower Beam	36"	2"	2"	<b>YHP1HTK260</b>	592.
	3+3, For 66"W Horsepower Beam	42"	2"	2"	<b>YHP1HTK266</b>	606.
	3+3, For 72"W Horsepower Beam	48"	2"	2"	<b>YHP1HTK272</b>	616.

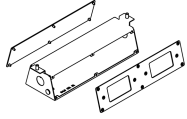
Horsepower

Ordering Information	Order Code	Included With	Options
<b>Single Power Harness Kit</b> 1. Pattern Number	<b>Single Power Harness Kit</b>  <i>Example:</i> <b>YHP1HEK160</b> <b>YHP1HE</b> Power Harness <b>1</b> Single Harness <b>60</b> For 60"W Beam	<b>Single Power Harness Kit</b> 12" Harness Jumper to 12" harness in same position in the next  <b>Double Power Harness Kit</b> Two 12" Harnesses Jumper between Harnesses in same position	<b>Single Power Harness Kit</b>

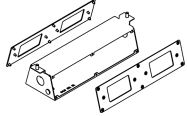
# Electrical Components for Horsepower

## 2 + 2, 3 + 3 and 4-4-2 Electrical Systems

description	type	w	d	h	pattern no.	list
Hardwire Outlet Box for City of Chicago, Outlets One Side	For 36", 60", 66" and 72"W Horsepower Beam	12"	3 3/4"	2 2/3"	<b>YHP2HOK1</b>	\$705.
	For 48"W Horsepower Beam	24"	3 3/4"	2 2/3"	<b>YHP2HOK148</b>	930.



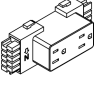
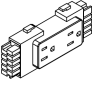
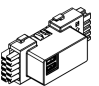
Hardwire Outlet Box for City of Chicago, Outlets Two Sides	For 36", 60", 66", and 72"W Horsepower Beam	12"	3 3/4"	2 2/3"	<b>YHP2HOK2</b>	720.
	For 48"W Horsepower Beam	24"	3 3/4"	2 2/3"	<b>YHP2HOK248</b>	990.



Ordering Information	Order Code	Included With	Options
<b>Single Power Harness Kit</b>	<b>Single Power Harness Kit</b>	<b>Single Power Harness Kit</b>	<b>Single Power Harness Kit</b>
1. Pattern Number	<i>Example:</i> <b>YHP1HEK160</b>	12" Harness	
	<b>YHP1HE</b> Power Harness	Jumper to 12" harness in same position in the next	
	<b>1</b> Single Harness	<b>Double Power Harness Kit</b>	
	<b>60</b> For 60"W Beam	Two 12" Harnesses	
		Jumper between Harnesses in same position	

# Electrical Components for Horsepower

## 2 + 2, 3 + 3 and 4-4-2 Electrical Systems

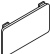
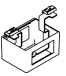
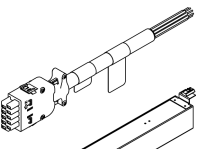
description	type	w	d	h	pattern no.	list
Duplex Receptacles, Extended Face for Use With Horsepower 	Circuit A, black	1 1/2"	2"	4 1/2"	<b>YR1XDA</b>	\$50.
	Circuit A, black with controlled symbol	1 1/2"	2"	4 1/2"	<b>YR1XDAC</b>	50.
	Circuit B, black	1 1/2"	2"	4 1/2"	<b>YR1XDB</b>	50.
	Circuit B, black with controlled symbol	1 1/2"	2"	4 1/2"	<b>YR1XDBC</b>	50.
	Circuit C, black	1 1/2"	2"	4 1/2"	<b>YR1XDC</b>	50.
	Circuit C, black with controlled symbol	1 1/2"	2"	4 1/2"	<b>YR1XDCC</b>	50.
	Circuit O, orange	1 1/2"	2"	4 1/2"	<b>YR1XDYO</b>	50.
	Circuit X, black	1 1/2"	2"	4 1/2"	<b>YR1XDX</b>	50.
	Circuit X, black with controlled symbol	1 1/2"	2"	4 1/2"	<b>YR1XDXC</b>	50.
	Circuit X, black with orange triangle	1 1/2"	2"	4 1/2"	<b>YR1XDXT</b>	50.
	Circuit X, orange	1 1/2"	2"	4 1/2"	<b>YR1XD XO</b>	50.
	Circuit Y, black	1 1/2"	2"	4 1/2"	<b>YR1XDY</b>	50.
	Circuit Y, black with controlled symbol	1 1/2"	2"	4 1/2"	<b>YR1XDYC</b>	50.
	Circuit Y, black with orange triangle	1 1/2"	2"	4 1/2"	<b>YR1XDYT</b>	50.
	Circuit Z, black	1 1/2"	2"	4 1/2"	<b>YR1XDZ</b>	50.
	Circuit Z, black with controlled symbol	1 1/2"	2"	4 1/2"	<b>YR1XDZC</b>	50.
	Circuit Z, black with orange triangle	1 1/2"	2"	4 1/2"	<b>YR1XDZT</b>	50.
Circuit Z, orange	1 1/2"	2"	4 1/2"	<b>YR1XDZO</b>	50.	
Duplex Receptacles for 4-4-2 	Circuit 1, black	1 1/2"	1"	4 1/2"	<b>YR1D1</b>	47.
	Circuit 1, black with controlled symbol	1 1/2"	1"	4 1/2"	<b>YR1D1C</b>	47.
	Circuit 2, black	1 1/2"	1"	4 1/2"	<b>YR1D2</b>	47.
	Circuit 2, black with controlled symbol	1 1/2"	1"	4 1/2"	<b>YR1D2C</b>	47.
	Circuit 3, black	1 1/2"	1"	4 1/2"	<b>YR1D3</b>	47.
	Circuit 3, black with controlled symbol	1 1/2"	1"	4 1/2"	<b>YR1D3C</b>	47.
	Circuit 3, orange with black triangle	1 1/2"	1"	4 1/2"	<b>YR1D3O</b>	47.
	Circuit 4, black	1 1/2"	1"	4 1/2"	<b>YR1D4</b>	47.
	Circuit 4, black with controlled symbol	1 1/2"	1"	4 1/2"	<b>YR1D4C</b>	47.
	Circuit 4, orange with black triangle	1 1/2"	1"	4 1/2"	<b>YR1D4O</b>	47.
USB Duplex, Extended Face For Use With Horsepower 	Circuit A, black	1 1/2"	2"	4 1/2"	<b>YR1XUSBA</b>	208.
	Circuit B, black	1 1/2"	2"	4 1/2"	<b>YR1XUSBB</b>	208.
	Circuit C, black	1 1/2"	2"	4 1/2"	<b>YR1XUSBC</b>	208.
	Circuit X, black	1 1/2"	2"	4 1/2"	<b>YR1XUSBX</b>	208.
	Circuit Y, black	1 1/2"	2"	4 1/2"	<b>YR1XUSBY</b>	208.
	Circuit Z, black	1 1/2"	2"	4 1/2"	<b>YR1XUSBZ</b>	208.

Horsepower

Ordering Information	Order Code	Included With	Options
<b>Electrical Components</b> 1. Pattern Number	<b>Electrical Components</b> <hr/> <i>Example:</i> <b>YRPHT12</b> <hr/> <b>YHPHT</b> Power Harness <hr/> <b>12</b> Width	<b>Power Harness</b> Horsepower Beam Attachment	<b>Electrical Components</b>

# Electrical Components for Horsepower

## 2 + 2, 3 + 3 and 4-4-2 Electrical Systems

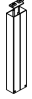
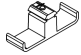
description	type	w	d	h	pattern no.	list
Outlet Fillers 	Package of 10	1 1/2"	2"	2 1/2"	<b>YHP1OF</b>	\$42.
Horsepower Communication Box 	Below Horsepower Beam	5 1/8"	3"	3 3/8"	<b>YHP1CMB</b>	160.
Infeeds 	2 + 2 Hardwire Infeed for New York City	85"	2 1/8"	2 3/8"	<b>YR1EPNY</b>	476.
	2 + 2 Modular Base Infeed	85"	2 1/8"	2 3/8"	<b>YR1EDPI</b>	216.
	3 + 3 Hardwire Infeed for New York City	85"	2 1/8"	2 3/8"	<b>YR1TPNY</b>	501.
	3 + 3 Modular Base Infeed	85"	2 1/8"	2 3/8"	<b>YR1TDPI</b>	251.
	4-4-2 Hardwire Infeed for New York City	85"	2 1/8"	2 3/8"	<b>YR1XPNY</b>	527.
	4-4-2 Modular Base Infeed	85"	2 1/8"	2 3/8"	<b>YR1XDPI</b>	262.

Ordering Information	Order Code	Included With	Options
<b>Electrical Components</b>	<b>Electrical Components</b>	<b>Power Harness</b>	<b>Electrical Components</b>
1. Pattern Number	<i>Example:</i> <b>YRPHT12</b>	Horsepower Beam Attachment	
	<b>YHPHT</b> Power Harness		
	<b>12</b> Width		

# Electrical Components for Horsepower

## 2 + 2 and 3 + 3 Electrical Systems

### Cable Management

description	type	w	d	h	pattern no.	list
 Vertical Infeed/Wire Manager	For 25"H Horsepower	3"	1 2/3"	18"	<b>YHP1VWM18</b>	\$390.
	For 28 1/2"H Horsepower	3"	1 2/3"	21"	<b>YHP1VWM21</b>	396.
 Cable Cleats (kit of 10)	For under Horsepower beam channel	3 1/4"	1"	1"	<b>YHP1BC</b>	78.

Ordering Information	Order Code	Included With	Options
<b>Electrical Components</b>	<b>Electrical Components</b>	<b>Power Harness</b>	<b>Electrical Components</b>
1. Pattern Number	<i>Example:</i> <b>YRPHT12</b>	Horsepower Beam Attachment	
	<b>YHPHT</b> Power Harness		
	<b>12</b> Width		



# Horsepower Screens

## Planning Guidelines and Specifications

Horsepower upmounted screens provide enclosure above 28½" high Linked Horsepower to a horizon of 42" or 49", which aligns with Antenna desk screens and other Antenna floorstanding components. Horsepower screens also mount to Independent Horsepower units 30"-72" wide to provide a mobile writable surface for collaborative spaces. Horsepower screens have wedge shape brackets to friction-fit into the beam at any point. Screens are available 30"-72" wide for corresponding Horsepower beam sizes.

Upmounted screens on Independent Horsepower require a lower shelf or cabinet with corresponding ballast kit.

### Two types of screens are available:

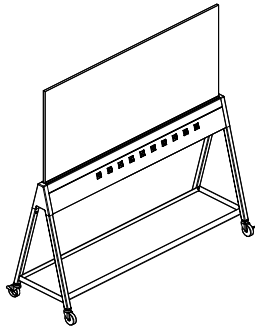
Frameless laminate or veneer screens are ½" MDF construction. Frameless glass screens are ½" tempered glass with polished edges.

Fabric screens have a ½" MDF core, with ⅜" thick tackable PET material inserts on each side wrapped in fabric, and aluminum perimeter frame with seamless corners.

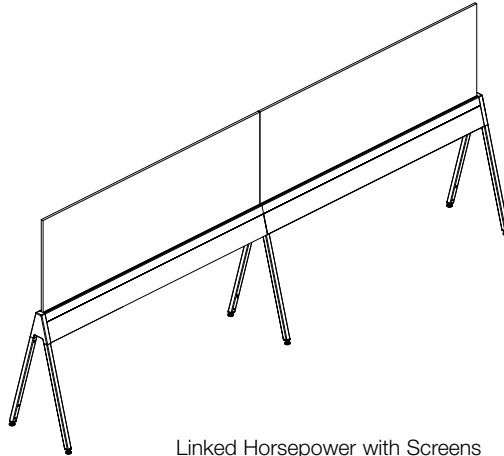
### Specification Options

For frameless screens specify surface types: laminate (L) or veneer (V) or glass (G); finish, any core laminate or dry-erase marker surface (M), any core Techwood or natural veneer, or core glass finishes. Also, specify base frame color, in any core paint finish.

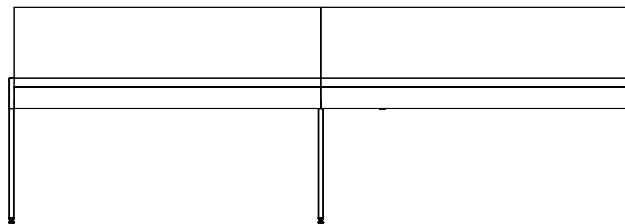
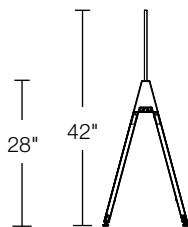
For fabric screens specify fabric, perimeter frame and brackets painted finishes.



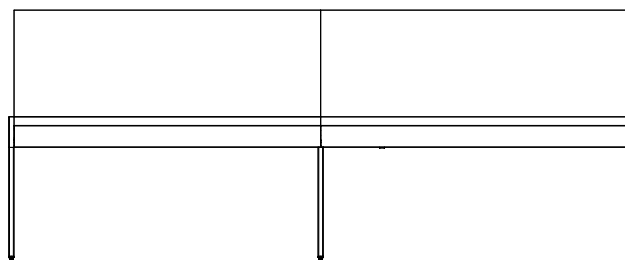
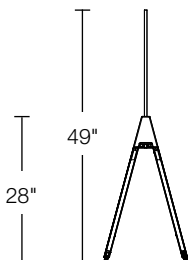
Independent Horsepower with Screens, Metal Shelf and Ballast



Linked Horsepower with Screens



Linked Horsepower with Screens, 42" Horizon

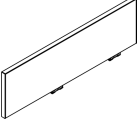
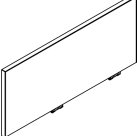


Linked Horsepower with Screens, 49" Horizon

# Horsepower Screens

## *Fabric*

### *42" and 49" High Horizon*

description	w	d	h	pattern no.	10	20	30	40	45
Fabric Screens For Horsepower Beam, 42" High Horizon 	30"	1 1/4"	14"	<b>YPSC1430F</b>	\$616.	\$646.	\$676.	\$706.	\$737.
	36"	1 1/4"	14"	<b>YPSC1436F</b>	665.	699.	731.	763.	798.
	48"	1 1/4"	14"	<b>YPSC1448F</b>	734.	770.	806.	843.	881.
	60"	1 1/4"	14"	<b>YPSC1460F</b>	777.	817.	855.	895.	933.
	66"	1 1/4"	14"	<b>YPSC1466FRR</b>	823.	863.	904.	946.	988.
	72"	1 1/4"	14"	<b>YPSC1472FRR</b>	866.	908.	952.	996.	1,039.
Fabric Screens For Horsepower Beam, 49" High Horizon 	30"	1 1/4"	21"	<b>YPSC2130F</b>	683.	718.	753.	788.	821.
	36"	1 1/4"	21"	<b>YPSC2136F</b>	777.	817.	855.	895.	933.
	48"	1 1/4"	21"	<b>YPSC2148F</b>	840.	883.	924.	967.	1,007.
	60"	1 1/4"	21"	<b>YPSC2160F</b>	916.	961.	1,006.	1,054.	1,098.
	66"	1 1/4"	21"	<b>YPSC2166FRR</b>	992.	1,041.	1,090.	1,138.	1,190.
	72"	1 1/4"	21"	<b>YPSC2172FRR</b>	1,041.	1,093.	1,146.	1,199.	1,249.


Horsepower

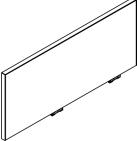
Ordering Information	Order Code	Included With	Options
<b>Horsepower Screens</b>	<b>Horsepower Screens</b>	<b>Horsepower Screens</b>	<b>Horsepower Screens</b>
1. Pattern Number	<i>Example:</i> <b>YPSC1448F, W1077,</b>	Brackets	The price of screens specified with a combination of fabrics is the higher of the two fabric grades.
2. Fabric Finish	<b>118T</b>	Hardware	(RR) Fabric is applied railroaded
3. Frame Paint Finish	<b>YPSC</b> Horsepower Screen		
	<b>14</b> Height		
	<b>48</b> Width		
	<b>F</b> Fabric		
	<b>W1077</b> Element		
	<b>118T</b> Bright White Paint		

# Horsepower Screens

## Laminate, Markerboard or Veneer or Glass

### For 42" and 49" High Horizon

description	w	d	h	pattern no.	Laminate (L)	Markerboard (LM)	V1 (V)	V2 (V)	V3 (V)	Clear Glass (GTEMP)	Powder Glass (GGL13)	Grey Tinted Glass (GGL35)
Screens For Horsepower Beam, 42" High Horizon 	30"	1/2"	14"	<b>YPSC1430()</b>	\$233.	\$313.	\$590.	\$715.	\$959.	\$385.	\$594.	\$756.
	36"	1/2"	14"	<b>YPSC1436()</b>	260.	400.	612.	750.	1,039.	435.	691.	884.
	48"	1/2"	14"	<b>YPSC1448()</b>	367.	676.	672.	841.	1,225.	566.	903.	1,163.
	60"	1/2"	14"	<b>YPSC1460()</b>	404.	707.	766.	968.	1,447.	688.	1,114.	1,438.
	66"	1/2"	14"	<b>YPSC1466()</b>	423.	721.	801.	1,017.	1,547.	758.	1,229.	1,588.
	72"	1/2"	14"	<b>YPSC1472()</b>	439.	730.	828.	1,058.	1,628.	816.	1,324.	1,711.

Screens For Horsepower Beam, 49" High Horizon 	30"	1/2"	21"	<b>YPSC2130()</b>	260.	400.	627.	786.	1,130.	464.	755.	1,028.
	36"	1/2"	21"	<b>YPSC2136()</b>	297.	528.	656.	835.	1,249.	532.	881.	1,210.
	48"	1/2"	21"	<b>YPSC2148()</b>	371.	927.	749.	971.	1,524.	683.	1,150.	1,588.
	60"	1/2"	21"	<b>YPSC2160()</b>	471.	961.	837.	1,106.	1,791.	835.	1,418.	1,966.
	66"	1/2"	21"	<b>YPSC2166()</b>	493.	975.	887.	1,179.	1,934.	920.	1,566.	2,175.
	72"	1/2"	21"	<b>YPSC2172()</b>	510.	989.	927.	1,241.	2,053.	989.	1,687.	2,343.

#### Ordering Information

#### Horsepower Screens

1. Pattern Number
2. Surface Finish
3. Bracket Paint Finish

#### Order Code

#### Horsepower Screens

*Example:* **YPSC1448V, 006B, 118T**

<b>YPSC</b>	Horsepower Screen
<b>14</b>	Height
<b>48</b>	Width
<b>V</b>	Veneer
<b>006B</b>	Maple
<b>118T</b>	Bright White Paint

#### Included With

#### Horsepower Screens

Brackets  
Hardware

#### Options

#### Horsepower Screens

#### Finish Options:

(L) = Laminate  
(LM) = Markerboard  
(V) = Veneer  
(GTEMP) = Clear Glass  
(GGL13) = Powder Glass  
(GGL35) = Grey Tinted Glass

# Horsepower Saddles

## Planning Guidelines and Specifications

Horsepower Saddles mount onto Linked Horsepower beams to provide a convenient perch in community spaces, lounge areas, cafés and public lobbies to sit and recharge. Saddles also mount onto Independent Horsepower on glides.

Saddles mounted to Horsepower beams support a static load of 100lbs per linear foot.

Saddles are available in 24", 30" and 36" wide.

### Construction

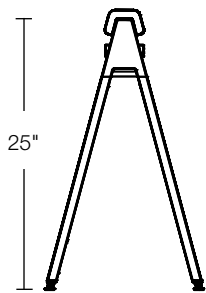
Horsepower Saddles are a durable self-skinning urethane foam attaching with hook and loop to an ABS mounting block.

### Specification Options

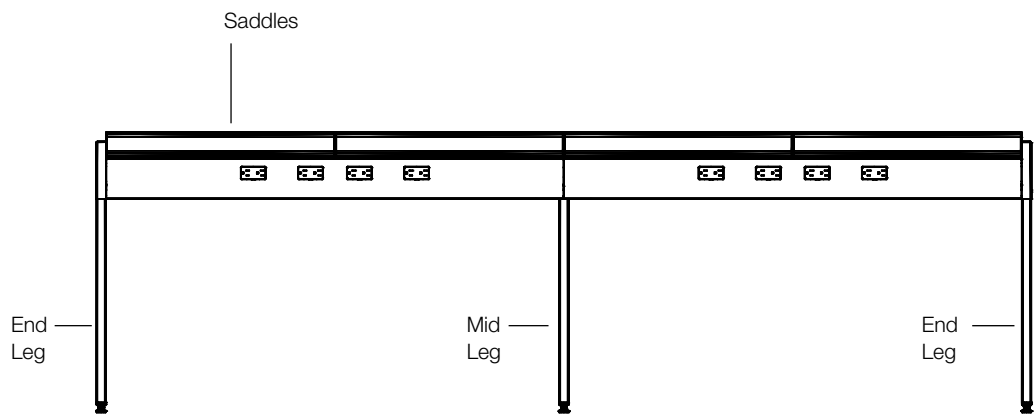
Saddles default black.



Linked Horsepower with Saddles




25" High Linked Horsepower with Saddle End Elevation



Linked Horsepower with Saddles

# Horsepower Saddles

## 24", 30" and 36" Wide

description	type	w	d	h	pattern no.	list
 Horsepower Saddle	For 24" Horsepower Beam	24"	4 1/4"	2 3/4"	<b>YHP1AS24</b>	\$396.
	For 30" Horsepower Beam	30"	4 1/4"	2 3/4"	<b>YHP1AS30</b>	436.
	For 36" Horsepower Beam	36"	4 1/4"	2 3/4"	<b>YHP1AS36</b>	492.

### Ordering Information

#### Horsepower Saddle

1. Pattern Number

### Order Code

#### Horsepower Saddle

*Example:* **YHP1AS36**

**YHP1AS** Horsepower Saddle

**36** Width

### Included With

**Horsepower Saddle**  
Attachment Hardware

### Options

**Horsepower Saddle**

# Horsepower Upmounted Shelves

## Planning Guidelines and Specifications

### Over Counters

Horsepower Track Shaped Over Counters mount directly above an Independent Horsepower beam to offer a small shelf for personal devices while charging. Counters are available in 8"D and are 9" wider than the corresponding Independent Horsepower width in a 3/4" thick laminate or veneer surface.

### Upmounted Platforms

Horsepower Upmounted Platforms are a rectangular laminate or veneer surface that mounts on stanchions on the beam of Linked Horsepower.

Platforms are 12"D, and centered over the Horsepower Beam, in widths of 36", 48", 60", 66" and 72".

Platforms 36" and 48" wide have two stanchion supports and platforms 60", 66" and 72" wide have three stanchion supports.

Platform support stanchions lift top of platforms to 34 1/2" above the floor.

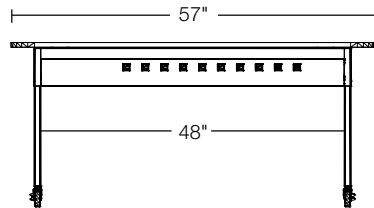
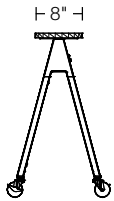
### Construction

Counters and Platforms are solid 3/4" thick MDF with laminate top and bottom and matching ABS edge or veneer on all surfaces. Threaded inserts are positioned over mounting brackets.

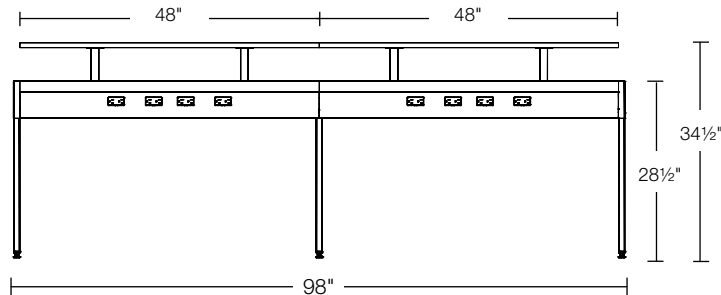
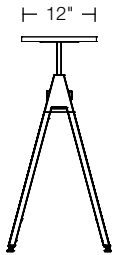
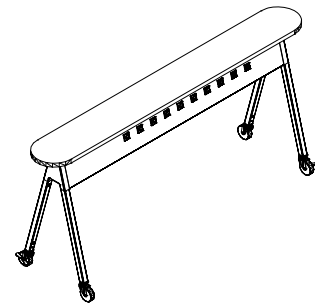
Counter mounting brackets are cast aluminum. Platform stanchions are extruded aluminum, with cast adapters specific to Horsepower. Top plate connector is steel.

### Specification Options

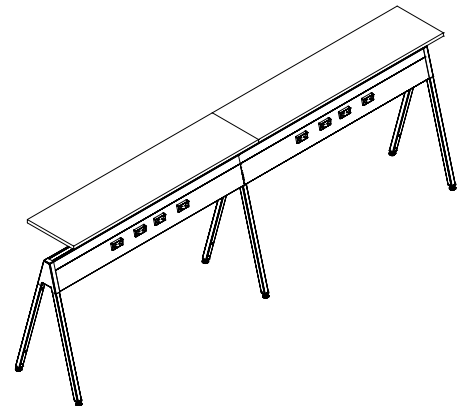
Specify either a laminate (L) or veneer (V) surface. Surface finish is available in any Knoll Core laminate or veneer finish. Counter or Platform support brackets are available in any Knoll Core paint finish, Dark Red or Slate Blue.



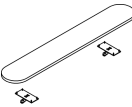
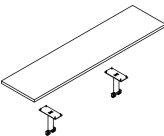
Independent Horsepower  
with Over Counter



Linked Horsepower with  
Upmounted Platforms



# Horsepower Upmounted Shelves Over Counters and Upmounted Platforms

description	w	d	h	pattern no.	Laminate (L)	V1 (V)	V2 (V)	V3 (V)
 Horsepower Over Counter	24"	8"	3/4"	<b>YHP1AP2408( )</b>	\$391.	\$652.	\$717.	\$918.
	30"	8"	3/4"	<b>YHP1AP3008( )</b>	406.	695.	765.	979.
	36"	8"	3/4"	<b>YHP1AP3608( )</b>	421.	703.	773.	991.
	48"	8"	3/4"	<b>YHP1AP4808( )</b>	431.	711.	782.	1,001.
 Horsepower Upmounted Platform	36"	12"	3/4"	<b>YHP1UP3612( )</b>	421.	703.	773.	991.
	48"	12"	3/4"	<b>YHP1UP4812( )</b>	431.	711.	782.	1,001.
	60"	12"	3/4"	<b>YHP1UP6012( )</b>	639.	908.	999.	1,279.
	66"	12"	3/4"	<b>YHP1UP6612( )</b>	650.	923.	1,015.	1,299.
	72"	12"	3/4"	<b>YHP1UP7212( )</b>	660.	937.	1,030.	1,319.

## Ordering Information

### Horsepower Over Counter

1. Pattern Number
2. Surface Finish
3. Bracket Finish

## Order Code

### Horsepower Over Counter

*Example:* **YHP1AP3008L, 118, 118T**

<b>YHP1AP</b>	Horsepower Over Counter
<b>30</b>	Width
<b>8</b>	Depth
<b>L</b>	Laminate
<b>118</b>	Bright White Laminate
<b>118T</b>	Bright White paint

## Included With

### Horsepower Over Counter

Brackets  
Hardware

## Options

### Horsepower Over Counter

**Finish Options:**  
(L) = Laminate  
(V) = Veneer

### Horsepower Suspended Wood Cabinets and Shelves

Horsepower horizontal wood cabinets and shelves mount between two legs on either Independent Horsepower or Linked Horsepower to provide lower storage that supports and defines workstations, offices or activity spaces. Cabinets and shelves are available for either 25" or 28½" high Horsepower.

Horsepower horizontal wood cabinets for 25" high Horsepower are 13"H x 13"D, with 11½" clear interior height. Cabinets for 28½" high Horsepower are 15"H x 15"D, with 13½" clear interior height for binder storage. Cabinet sides, top and bottom are ¾" thick, in laminate or veneer, or a combination of laminates. Cabinets and shelves 48" or wider include a painted stiffener to reinforce the bottom shelf that mounts centered on the underside of the case into metal inserts.

### Horsepower Mounting Kits

Horsepower cabinet mounting brackets attach to the inside face of End Legs or Mid Legs to support all four corners of a wood cabinet or shelf. End Bracket Mounting Kits include four brackets (two lefts and two rights) to support all four corners of a single wood cabinet or shelf, not adjacent to another cabinet or shelf.

Mid Bracket Mounting Kits include two non-handed shared brackets that support four corners of two adjacent cabinets at the mid leg. If specifying a continuous run of cabinets for Linked Horsepower, specify one End Bracket Mounting Kit in addition to one Mid Bracket Mounting Kit for every joint between adjacent cabinets.

### Horsepower Suspended Open Wood Cabinets

Open cabinets are available in three configurations: open shelf with center gable, open shelf with enclosed back and shared open front with enclosed back. Open horizontal cabinets are available in 24", 30", 36", 48", 60", 66" and 72" widths, and shared open cabinets are available in 48", 60", 66" and 72" widths.

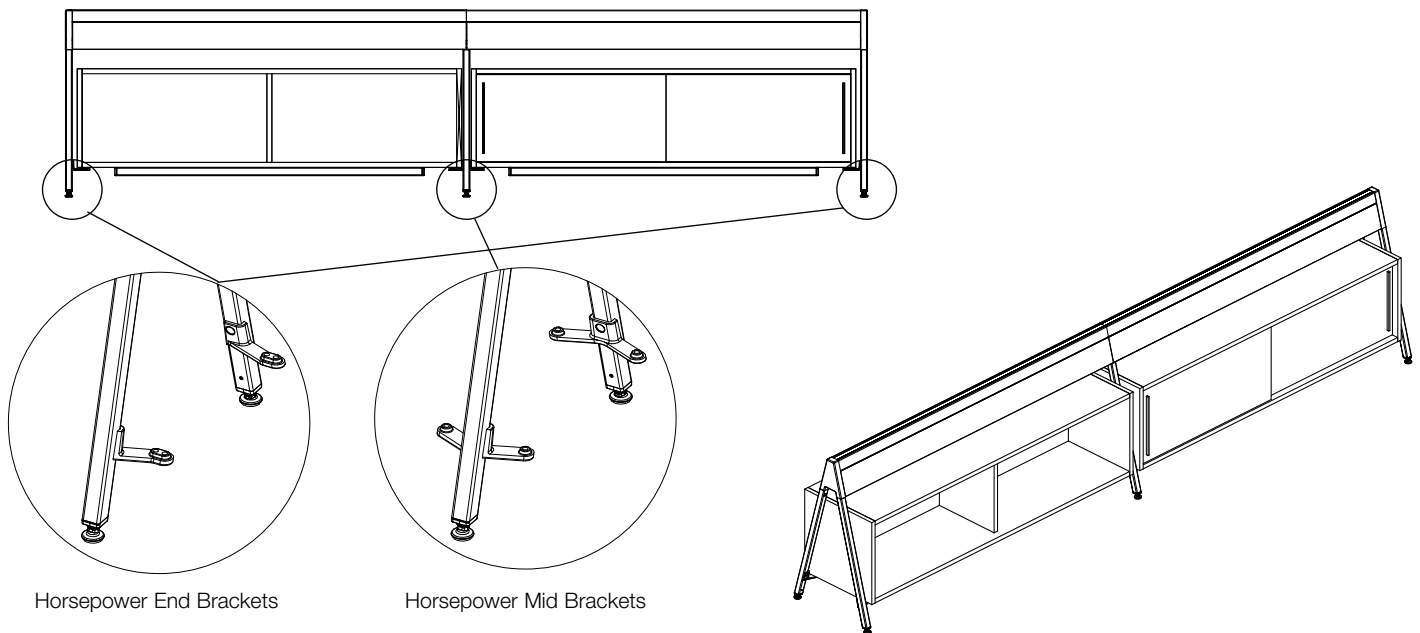
Open shelf cabinets have a center partition parallel to the open front and back that provides structural support and serves to filter sightlines through the cabinet. Cabinets 24"-36" have a 6" wide center panel, cabinets 48" and wider have a 12" center panel. Support panel and all interior surfaces can be specified in a different laminate than exterior surfaces.

Open shelf with enclosed back includes a full back, recessed ½" for optional fabric insert, specified separately. Both sides of recessed backs are considered interior surfaces, if specifying two-tone laminate finishes.

Shared open front with enclosed back cabinets include flush backs. The exterior face of flush backs will match the exterior core laminate finish.

### Horsepower Suspended Wood Shelf

Horsepower horizontal wood shelves mount between two legs to provide a lower display shelf. Wood shelves include 4" high side gables on either end. Horsepower wood shelves are 13"D for 25" high Horsepower or 15"D for 28½" high Horsepower. Horsepower wood shelves are available in 24", 30", 36", 48", 60", 66" and 72" widths. The exterior surfaces include the inside of side gables and top of shelf.



Horsepower End Brackets

Horsepower Mid Brackets

Linked Horsepower with Open Cabinet and Sliding Door Cabinet



### Horsepower Suspended Enclosed Wood Cabinets

Horsepower horizontal enclosed wood cabinets are available in two configurations: sliding door cabinet case with overlapping sliding doors or shared sliding door cabinets. All enclosed horizontal cabinets are available in 48", 60", 66" and 72" widths.

Sliding door cabinets with overlapping sliding doors have two half-width doors, in laminate or veneer surface and a full back, recessed 1/2" for optional fabric insert, specified separately. Sliding door cabinets include a center partition for structure.

Shared sliding door cabinets have a sliding door on each face overlapping the recessed back of the cabinet facing the other side. Cabinets can be specified with both opening on the left or both on the right.

Enclosed Horsepower cabinets can be specified in all laminate or veneer or mixed surface laminate: all interior surfaces of laminate cabinet can be specified in a contrasting core or accent laminate. Partition and inset back are considered interior surfaces on both faces.

### Horsepower Counterweight Kits

Upmounted screens or monitors on Independent Horsepower require a lower shelf or cabinet with corresponding ballast kit. Ballast kits include a pair of flat steel counterweights that mount to the underside of the cabinet case or shelf with machine screws and metal inserts. Ballast kits are available for 30", 36" and 48" wide wood cabinets and shelves.

### Construction

Case is composed of 3/4" thick wood panels, with discreet glue-and-dowel connections.

Case mounting brackets are cast aluminum. Cabinet stiffeners are 1 1/4" square steel tube. Stiffener end caps are die cast aluminum.

### Specification Options

Specify laminate (L), "mixed" two-tone laminate (L) or veneer (V) case.

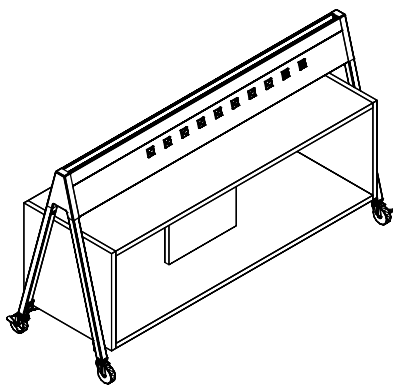
Case finish exterior is available in any Knoll core laminate or veneer. When the case exterior is laminate, case interior and inset back are available in any Knoll Core or Accent laminate. When an Accent laminate is specified, the edgeband will match the exterior core laminate finish.

Cabinet stiffeners and mounting brackets (specified separately) are available in any Knoll Core paint finish, Dark Red, Slate Blue or Black Wrinkle.

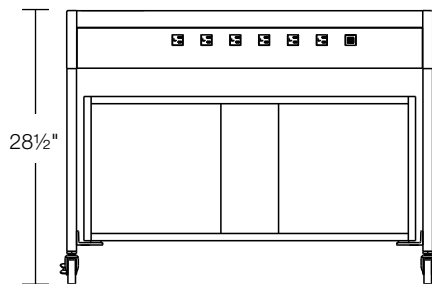
Door sets are specified separately to enable any combination of wood or laminate case and doors. Specify door front sets in any Knoll Core laminate (L) or veneer (V).

Pulls and mounting brackets are available in any Knoll Core paint finish, Dark Red or Slate Blue.

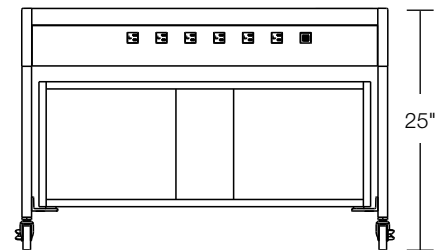
Counterweights are painted black.



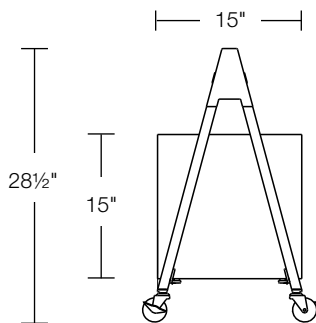
Independent Horsepower with Cabinet



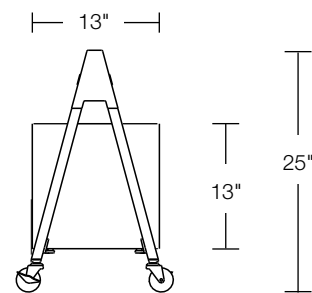
28 1/2" High Independent Horsepower with Wood Cabinet Side Elevation



25" High Independent Horsepower with Wood Cabinets Side Elevation



28 1/2" High Independent Horsepower with Wood Cabinet End Elevation

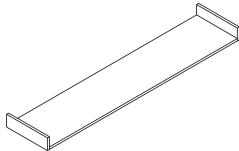


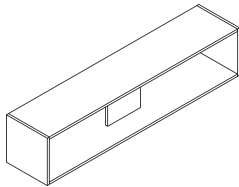
25" High Independent Horsepower with Wood Cabinet End Elevation

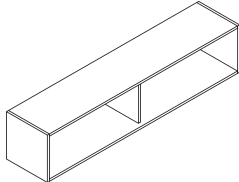
# Horsepower Wood Cabinets

## For 25"H Horsepower

### Open Cabinets and Shelves

description	w	d	h	pattern no.	All Same	Different	Different	V1	V2	V3
					Laminate (Core Lam.) (L)	Laminate Case/ Interior (Core Lam.) (L)	Laminate Case/Interior (Accent Lam.) (L)			
Horsepower Wood Shelf, For 25"H Horsepower 	24"	13"	4"	<b>YHP1SWS2425()</b>	\$580.	n/a	n/a	\$1,053.	\$1,279.	\$1,584.
	24"	13"	4"	<b>YHP1SWS3025()</b>	595.	n/a	n/a	1,067.	1,294.	1,599.
	36"	13"	4"	<b>YHP1SWS3625()</b>	609.	n/a	n/a	1,082.	1,308.	1,614.
	48"	13"	4"	<b>YHP1SWS4825()</b>	745.	n/a	n/a	1,224.	1,466.	1,789.
	60"	13"	4"	<b>YHP1SWS6025()</b>	1,211.	n/a	n/a	1,708.	2,023.	2,442.
	66"	13"	4"	<b>YHP1SWS6625()</b>	1,357.	n/a	n/a	1,859.	2,196.	2,646.
	72"	13"	4"	<b>YHP1SWS7225()</b>	1,411.	n/a	n/a	1,874.	2,213.	2,665.

Horsepower Open Shelf with Center Partition, For 25"H Horsepower 	24"	13"	13"	<b>YHP1SOS2425()</b>	865.	969.	1,330.	1,330.	1,557.	2,076.
	30"	13"	13"	<b>YHP1SOS3025()</b>	938.	1,042.	1,403.	1,403.	1,630.	2,149.
	36"	13"	13"	<b>YHP1SOS3625()</b>	1,035.	1,140.	1,500.	1,500.	1,728.	2,246.
	48"	13"	13"	<b>YHP1SOS4825()</b>	1,221.	1,337.	1,672.	1,672.	1,912.	2,464.
	60"	13"	13"	<b>YHP1SOS6025()</b>	1,530.	1,673.	2,094.	2,094.	2,394.	2,738.
	66"	13"	13"	<b>YHP1SOS6625()</b>	1,605.	1,741.	2,171.	2,171.	2,484.	3,027.
	72"	13"	13"	<b>YHP1SOS7225()</b>	1,651.	1,807.	2,248.	2,248.	2,571.	3,314.

Horsepower Open Cabinet with Enclosed Back, For 25"H Horsepower 	24"	13"	13"	<b>YHP1SOE2425()</b>	1,038.	1,160.	1,481.	1,481.	1,730.	2,299.
	30"	13"	13"	<b>YHP1SOE3025()</b>	1,111.	1,233.	1,554.	1,554.	1,803.	2,372.
	36"	13"	13"	<b>YHP1SOE3625()</b>	1,209.	1,331.	1,651.	1,651.	1,900.	2,469.
	48"	13"	13"	<b>YHP1SOE4825()</b>	1,450.	1,589.	1,972.	1,972.	2,256.	2,912.
	60"	13"	13"	<b>YHP1SOE6025()</b>	1,669.	1,874.	2,645.	2,645.	3,108.	3,777.
	66"	13"	13"	<b>YHP1SOE6625()</b>	1,718.	1,924.	2,696.	2,696.	3,159.	3,880.
	72"	13"	13"	<b>YHP1SOE7225()</b>	1,771.	1,977.	2,748.	2,748.	3,211.	3,931.

Horsepower

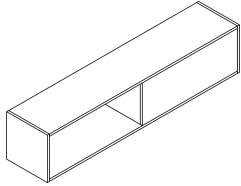
Ordering Information	Order Code	Included With	Options
<b>Horsepower Open Shelf with Center Partition</b> 1. Pattern Number 2. Exterior Case Finish 3. Interior Case Finish (Laminate only) 4. Stiffener Paint Finish	<b>Horsepower Open Shelf with Center Partition</b> <i>Example:</i> <b>YHP1SOS6025L, 118, 118, 118T</b> <b>YHP1S</b> Horsepower Storage <b>OS</b> Open Shelf <b>60</b> Width <b>25</b> For 25"H Horsepower <b>L</b> Laminate <b>118</b> Bright White Laminate <b>118</b> Bright White Laminate <b>118T</b> Bright White Paint	<b>Horsepower Open Shelf with Center Partition</b> Cabinets 48"W or wider include a stiffener	<b>Horsepower Open Shelf with Center Partition</b> <b>Case Finish Options:</b> (L) = All the same or different laminates for the exterior and interior case (V) = All the same veneer for the exterior and interior case

# Horsepower Wood Cabinets

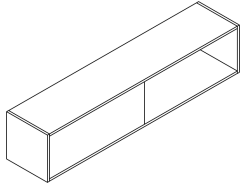
## For 25"H Horsepower

### Shared Open Cabinets

description	w	d	h	pattern no.	All Same	Different	Different	V1	V2	V3
					Laminate (Core Lam.) (L)	Laminate Case/ Interior (Core Lam.) (L)	Laminate Case/Interior (Accent Lam.) (L)			
Horsepower Shared Open	48"	13"	13"	<b>YHP1SOEL4825()</b>	\$1,508.	\$1,651.	\$2,297.	\$2,297.	\$2,631.	\$3,398.
Front with Enclosed Back, Open on Left, For 25"H Horsepower	60"	13"	13"	<b>YHP1SOEL6025()</b>	1,587.	1,737.	2,457.	2,457.	2,811.	3,626.
	66"	13"	13"	<b>YHP1SOEL6625()</b>	1,647.	1,803.	2,508.	2,508.	2,869.	3,702.
	72"	13"	13"	<b>YHP1SOEL7225()</b>	1,707.	1,869.	2,558.	2,558.	2,927.	3,776.



Horsepower Shared Open	48"	13"	13"	<b>YHP1SOER4825()</b>	1,508.	1,651.	2,297.	2,297.	2,631.	3,398.
Front with Enclosed Back, Open on Right, For 25"H Horsepower	60"	13"	13"	<b>YHP1SOER6025()</b>	1,587.	1,737.	2,457.	2,457.	2,811.	3,626.
	66"	13"	13"	<b>YHP1SOER6625()</b>	1,647.	1,803.	2,508.	2,508.	2,869.	3,702.
	72"	13"	13"	<b>YHP1SOER7225()</b>	1,707.	1,869.	2,558.	2,558.	2,927.	3,776.



#### Ordering Information

##### Horsepower Shared Open Cabinets

1. Pattern Number
2. Exterior Case Finish
3. Interior Case Finish (Laminate only)
4. Stiffener Paint Finish

#### Order Code

##### Horsepower Shared Open Cabinet

*Example:* **YHP1SOER6025L, 118, 118, 118T**

<b>YHP1S</b>	Horsepower Storage
<b>OER</b>	Shared Open Cabinet, Open Right
<b>60</b>	Width
<b>25</b>	For 25"H Horsepower
<b>L</b>	Laminate
<b>118</b>	Bright White Laminate
<b>118</b>	Bright White Laminate
<b>118T</b>	Bright White Paint

#### Included With

##### Horsepower Shared Open Cabinet

Cabinets 48"W or wider include a stiffener

#### Options

##### Horsepower Shared Open Cabinet

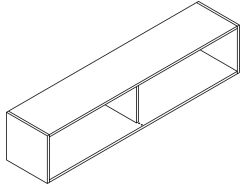
###### Case Finish Options:

(L) = All the same or different laminates for the exterior and interior case  
 (V) = All the same veneer for the exterior and interior case

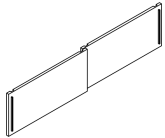
# Horsepower Wood Cabinets

## For 25"H Horsepower Sliding Door Cabinets

description	w	d	h	pattern no.	All Same	Different	Different	V1	V2	V3
					Laminate (Core Lam.) (L)	Laminate Case/ Interior (Core Lam.) (L)	Laminate Case/Interior (Accent Lam.) (L)			
Horsepower Sliding Door Cabinet Case, For 25"H Horsepower	48"	13"	13"	<b>YHP1SSD4825()</b>	\$1,746.	\$1,918.	\$2,783.	\$2,783.	\$3,196.	\$4,151.
	60"	13"	13"	<b>YHP1SSD6025()</b>	2,227.	2,447.	3,150.	3,150.	3,615.	4,687.
	66"	13"	13"	<b>YHP1SSD6625()</b>	2,288.	2,513.	3,267.	3,267.	3,750.	4,862.
	72"	13"	13"	<b>YHP1SSD7225()</b>	2,349.	2,578.	3,384.	3,384.	3,884.	5,035.



description	w	d	h	pattern no.				V1	V2	V3
	60"	13"	13"	<b>YHP1SDK6025()</b>	751.	n/a	n/a	1,048.	1,211.	1,577.
	66"	13"	13"	<b>YHP1SDK6625()</b>	790.	n/a	n/a	1,110.	1,276.	1,663.
	72"	13"	13"	<b>YHP1SDK7225()</b>	810.	n/a	n/a	1,141.	1,308.	1,704.

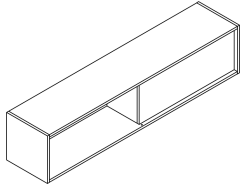


Ordering Information	Order Code	Included With	Options
<b>Horsepower Sliding Door Cabinet Case</b> 1. Pattern Number 2. Exterior Case Finish 3. Interior Case Finish (Laminate only) 4. Bracket Paint Finish  <b>Sliding Doors</b> 1. Pattern Number 2. Laminate Finish 3. Pull Finish	<b>Horsepower Sliding Door Cabinet Case</b>  <i>Example:</i> <b>YHP1SSD6025L, 118, 118T</b>  <b>YHP1S</b> Horsepower Storage <b>SD</b> Sliding Door Cabinet Case  <b>60</b> Width <b>25</b> For 25"H Horsepower <b>L</b> Laminate <b>118</b> Bright White Laminate <b>118</b> Bright White Laminate <b>118T</b> Bright White Paint  <i>Example:</i> <b>YHP1SDK60L, 118, 118T</b>  <b>YHP1S</b> Horsepower Storage <b>DK</b> Sliding Door Kit <b>60</b> Width <b>L</b> Laminate <b>118</b> Bright White Laminate <b>118T</b> Bright White Paint	<b>Horsepower Sliding Door Cabinet Case</b>  Cabinets 48"W or wider include a stiffener  <b>Sliding Doors</b> Hardware	<b>Horsepower Sliding Door Cabinet Case</b>  <b>Case Finish Options:</b> (L) = All the same or different laminates for the exterior and interior case (V) = All the same veneer for the exterior and interior case  <b>Sliding Doors Door Finish Options:</b> (L) = Laminate (V) = Veneer  Door pulls are available in Knoll core paints, Dark Red (130), and Slate Blue (131) paint finishes.

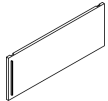
## For 25"H Horsepower

### Shared Sliding Door Cabinets with Opening on Left

description	w	d	h	pattern no.	All Same	Different	Different	V1	V2	V3
					Laminate (Core Lam.) (L)	Laminate Case/ Interior (Core Lam.) (L)	Laminate Case/Interior (Accent Lam.) (L)			
Horsepower Shared Sliding Door Cabinet Case, Opening on Left, For 25"H Horsepower	48"	13"	13"	<b>YHP1SSDL4825( )</b>	\$1,797.	\$1,969.	\$2,834.	\$2,834.	\$3,247.	\$4,202.
	60"	13"	13"	<b>YHP1SSDL6025( )</b>	2,278.	2,498.	3,200.	3,200.	3,666.	4,738.
	66"	13"	13"	<b>YHP1SSDL6625( )</b>	2,339.	2,564.	3,318.	3,318.	3,801.	4,913.
	72"	13"	13"	<b>YHP1SSDL7225( )</b>	2,399.	2,629.	3,435.	3,435.	3,935.	5,086.



Horsepower Shared Sliding Door Kit, Left, For 25"H Horsepower	48"	13"	13"	<b>YHP1SDKL4825( )</b>	721.	n/a	n/a	990.	1,139.	1,480.
	60"	13"	13"	<b>YHP1SDKL6025( )</b>	751.	n/a	n/a	1,048.	1,211.	1,577.
	66"	13"	13"	<b>YHP1SDKL6625( )</b>	790.	n/a	n/a	1,110.	1,276.	1,663.
	72"	13"	13"	<b>YHP1SDKL7225( )</b>	810.	n/a	n/a	1,141.	1,308.	1,704.



#### Ordering Information

##### Horsepower Sliding Door Cabinet Case

1. Pattern Number
2. Exterior Case Finish
3. Interior Case Finish (Laminate only)
4. Bracket Paint Finish

##### Sliding Doors

1. Pattern Number
2. Laminate Finish
3. Pull Finish

#### Order Code

##### Horsepower Sliding Door Cabinet Case

*Example:* **YHP1SSD6025L, 118, 118, 118T**

<b>YHP1S</b>	Horsepower Storage
<b>SD</b>	Sliding Door Cabinet Case
<b>60</b>	Width
<b>25</b>	For 25"H Horsepower
<b>L</b>	Laminate
<b>118</b>	Bright White Laminate
<b>118</b>	Bright White Laminate
<b>118T</b>	Bright White Paint

*Example:* **YHP1SDK60L, 118, 118T**

<b>YHP1S</b>	Horsepower Storage
<b>DK</b>	Sliding Door Kit
<b>60</b>	Width
<b>L</b>	Laminate
<b>118</b>	Bright White Laminate
<b>118T</b>	Bright White Paint

#### Included With

##### Horsepower Sliding Door Cabinet Case

Cabinets 48"W or wider include a stiffener

##### Sliding Doors

Hardware

#### Options

##### Horsepower Sliding Door Cabinet Case

##### Case Finish Options:

(L) = All the same or different laminates for the exterior and interior case  
(V) = All the same veneer for the exterior and interior case

##### Sliding Doors

##### Door Finish Options:

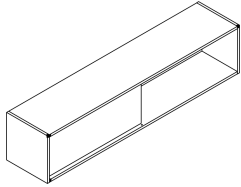
(L) = Laminate  
(V) = Veneer

Door pulls are available in Knoll core paints, Dark Red (130), and Slate Blue (131) paint finishes.

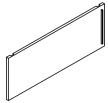
## For 25"H Horsepower

### Shared Sliding Door Cabinets with Opening on Right

description	w	d	h	pattern no.	All Same	Different	Different	V1	V2	V3
					Laminate (Core Lam.) (L)	Laminate Case/ Interior (Core Lam.) (L)	Laminate Case/Interior (Accent Lam.) (L)			
Horsepower Shared Sliding Door Cabinet Case, Opening on Right, For 25"H Horsepower	48"	13"	13"	<b>YHP1SSDR4825( )</b>	\$1,797.	\$1,969.	\$2,834.	\$2,834.	\$3,247.	\$4,202.
	60"	13"	13"	<b>YHP1SSDR6025( )</b>	2,278.	2,498.	3,200.	3,200.	3,666.	4,738.
	66"	13"	13"	<b>YHP1SSDR6625( )</b>	2,339.	2,564.	3,318.	3,318.	3,801.	4,913.
	72"	13"	13"	<b>YHP1SSDR7225( )</b>	2,399.	2,629.	3,435.	3,435.	3,935.	5,086.



Horsepower Shared Sliding Door Kit, Right, For 25"H Horsepower	48"	13"	13"	<b>YHP1SDKR4825( )</b>	721.	n/a	n/a	990.	1,139.	1,480.
	60"	13"	13"	<b>YHP1SDKR6025( )</b>	751.	n/a	n/a	1,048.	1,211.	1,577.
	66"	13"	13"	<b>YHP1SDKR6625( )</b>	790.	n/a	n/a	1,110.	1,276.	1,663.
	72"	13"	13"	<b>YHP1SDKR7225( )</b>	810.	n/a	n/a	1,141.	1,308.	1,704.

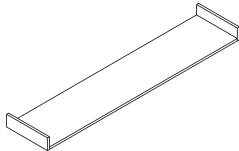


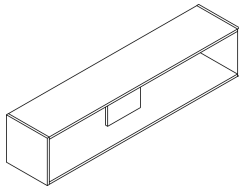
Ordering Information	Order Code	Included With	Options
<b>Horsepower Sliding Door Cabinet Case</b> 1. Pattern Number 2. Exterior Case Finish 3. Interior Case Finish (Laminate only) 4. Bracket Paint Finish  <b>Sliding Doors</b> 1. Pattern Number 2. Laminate Finish 3. Pull Finish	<b>Horsepower Sliding Door Cabinet Case</b>  <i>Example:</i> <b>YHP1SSD6025L, 118, 118T</b>  <b>YHP1S</b> Horsepower Storage <b>SD</b> Sliding Door Cabinet Case  <b>60</b> Width <b>25</b> For 25"H Horsepower <b>L</b> Laminate <b>118</b> Bright White Laminate <b>118</b> Bright White Laminate <b>118T</b> Bright White Paint  <i>Example:</i> <b>YHP1SDK60L, 118, 118T</b>  <b>YHP1S</b> Horsepower Storage <b>DK</b> Sliding Door Kit <b>60</b> Width <b>L</b> Laminate <b>118</b> Bright White Laminate <b>118T</b> Bright White Paint	<b>Horsepower Sliding Door Cabinet Case</b>  Cabinets 48"W or wider include a stiffener  <b>Sliding Doors</b>  Hardware	<b>Horsepower Sliding Door Cabinet Case</b>  <b>Case Finish Options:</b> (L) = All the same or different laminates for the exterior and interior case (V) = All the same veneer for the exterior and interior case  <b>Sliding Doors Door Finish Options:</b> (L) = Laminate (V) = Veneer  Door pulls are available in Knoll core paints, Dark Red (130), and Slate Blue (131) paint finishes.

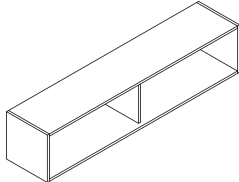
# Horsepower Wood Cabinets

## For 28.5"H Horsepower

### Open Cabinets and Shelves

description	w	d	h	pattern no.	All Same	Different	Different	V1	V2	V3
					Laminate (Core Lam.) (L)	Laminate Case/ Interior (Core Lam.) (L)	Laminate Case/Interior (Accent Lam.) (L)			
Horsepower Wood Shelf, For 28.5"H Horsepower 	24"	15"	15"	<b>YHP1SWS2428( )</b>	\$604.	n/a	n/a	\$1,096.	\$1,333.	\$1,650.
	24"	15"	15"	<b>YHP1SWS3028( )</b>	619.	n/a	n/a	1,111.	1,348.	1,666.
	36"	15"	15"	<b>YHP1SWS3628( )</b>	634.	n/a	n/a	1,127.	1,363.	1,681.
	48"	15"	15"	<b>YHP1SWS4828( )</b>	776.	n/a	n/a	1,275.	1,527.	1,864.
	60"	15"	15"	<b>YHP1SWS6028( )</b>	1,262.	n/a	n/a	1,779.	2,107.	2,544.
	66"	15"	15"	<b>YHP1SWS6628( )</b>	1,414.	n/a	n/a	1,937.	2,288.	2,757.
	72"	15"	15"	<b>YHP1SWS7228( )</b>	1,470.	n/a	n/a	1,952.	2,305.	2,776.

Horsepower Open Shelf with Center Partition, For 28.5"H Horsepower 	24"	15"	15"	<b>YHP1SOS2428( )</b>	901.	1,010.	1,385.	1,385.	1,622.	2,162.
	30"	15"	15"	<b>YHP1SOS3028( )</b>	977.	1,086.	1,462.	1,462.	1,698.	2,238.
	36"	15"	15"	<b>YHP1SOS3628( )</b>	1,079.	1,188.	1,563.	1,563.	1,800.	2,340.
	48"	15"	15"	<b>YHP1SOS4828( )</b>	1,272.	1,393.	1,742.	1,742.	1,991.	2,567.
	60"	15"	15"	<b>YHP1SOS6028( )</b>	1,594.	1,743.	2,181.	2,181.	2,494.	2,852.
	66"	15"	15"	<b>YHP1SOS6628( )</b>	1,672.	1,813.	2,262.	2,262.	2,587.	3,153.
	72"	15"	15"	<b>YHP1SOS7228( )</b>	1,720.	1,882.	2,342.	2,342.	2,679.	3,452.

Horsepower Open Cabinet with Enclosed Back, For 28.5"H Horsepower 	24"	15"	15"	<b>YHP1SOE2428( )</b>	1,082.	1,209.	1,543.	1,543.	1,802.	2,394.
	30"	15"	15"	<b>YHP1SOE3028( )</b>	1,158.	1,285.	1,619.	1,619.	1,878.	2,471.
	36"	15"	15"	<b>YHP1SOE3628( )</b>	1,260.	1,386.	1,720.	1,720.	1,979.	2,572.
	48"	15"	15"	<b>YHP1SOE4828( )</b>	1,511.	1,655.	2,054.	2,054.	2,351.	3,034.
	60"	15"	15"	<b>YHP1SOE6028( )</b>	1,738.	1,952.	2,756.	2,756.	3,238.	3,934.
	66"	15"	15"	<b>YHP1SOE6628( )</b>	1,790.	2,005.	2,809.	2,809.	3,291.	4,042.
	72"	15"	15"	<b>YHP1SOE7228( )</b>	1,845.	2,059.	2,862.	2,862.	3,345.	4,095.

#### Ordering Information

##### Horsepower Open Shelf with Center Partition

1. Pattern Number
2. Exterior Case Finish
3. Interior Case Finish (Laminate only)
4. Stiffener Paint Finish

#### Order Code

##### Horsepower Open Shelf with Center Partition

*Example:* **YHP1SOS6028L, 118, 118, 118T**

<b>YHP1S</b>	Horsepower Storage
<b>OS</b>	Open Shelf
<b>60</b>	Width
<b>28</b>	For 28.5"H Horsepower
<b>L</b>	Laminate
<b>118</b>	Bright White Laminate
<b>118</b>	Bright White Laminate
<b>118T</b>	Bright White Paint

#### Included With

##### Horsepower Open Shelf with Center Partition

Cabinets 48"W or wider include a stiffener

#### Options

##### Horsepower Open Shelf with Center Partition

#### Case Finish Options:

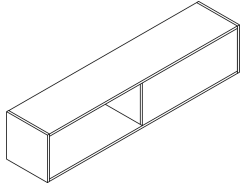
(L) = All the same or different laminates for the exterior and interior case  
 (V) = All the same veneer for the exterior and interior case

# Horsepower Wood Cabinets

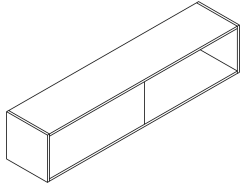
## For 28.5"H Horsepower

### Shared Open Cabinets

description	w	d	h	pattern no.	All Same	Different	Different	V1	V2	V3
					Laminate (Core Lam.) (L)	Laminate Case/ Interior (Core Lam.) (L)	Laminate Case/Interior (Accent Lam.) (L)			
Horsepower Shared Open	48"	15"	15"	<b>YHP1SOEL4828()</b>	\$1,571.	\$1,720.	\$2,392.	\$2,392.	\$2,741.	\$3,540.
Front with Enclosed Back, Open on Left, For	60"	15"	15"	<b>YHP1SOEL6028()</b>	1,653.	1,809.	2,560.	2,560.	2,927.	3,777.
28.5"H Horsepower	66"	15"	15"	<b>YHP1SOEL6628()</b>	1,716.	1,879.	2,613.	2,613.	2,989.	3,856.
	72"	15"	15"	<b>YHP1SOEL7228()</b>	1,778.	1,947.	2,664.	2,664.	3,049.	3,933.



Horsepower Shared Open	48"	15"	15"	<b>YHP1SOER4828()</b>	1,571.	1,720.	2,392.	2,392.	2,741.	3,540.
Front with Enclosed Back, Open on Right, For	60"	15"	15"	<b>YHP1SOER6028()</b>	1,653.	1,809.	2,560.	2,560.	2,927.	3,777.
28.5"H Horsepower	66"	15"	15"	<b>YHP1SOER6628()</b>	1,716.	1,879.	2,613.	2,613.	2,989.	3,856.
	72"	15"	15"	<b>YHP1SOER7228()</b>	1,778.	1,947.	2,664.	2,664.	3,049.	3,933.



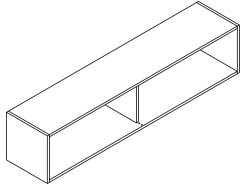
Ordering Information	Order Code	Included With	Options
<b>Horsepower Shared Open Cabinet</b>	<b>Horsepower Shared Open Cabinet Partition</b>	<b>Horsepower Shared Open Cabinet</b>	<b>Horsepower Shared Open Cabinet</b>
1. Pattern Number		Cabinets 48"W or wider include a stiffener	<b>Case Finish Options:</b>
2. Exterior Case Finish	<i>Example:</i> <b>YHP1SOER6028L, 118, 118, 118T</b>		(L) = All the same or different laminates for the exterior and interior case
3. Interior Case Finish (Laminate only)	<b>YHP1S</b> Horsepower Storage		(V) = All the same veneer for the exterior and interior case
4. Bracket Paint Finish	<b>OER</b> Shared Open Cabinet, Open Right		
	<b>60</b> Width		
	<b>28</b> For 28.5"H Horsepower		
	<b>L</b> Laminate		
	<b>118</b> Bright White Laminate		
	<b>118</b> Bright White Laminate		
	<b>118T</b> Bright White Paint		



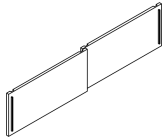
# Horsepower Wood Cabinets

## For 28.5"H Horsepower Sliding Door Cabinets

description	w	d	h	pattern no.	All Same	Different	Different	V1	V2	V3
					Laminate	Laminate	Laminate			
					(Core Lam.)	Case/	Case/Interior	(V)	(V)	(V)
					(L)	Interior	(Accent Lam.)	(L)		
						(Core Lam.)	(L)			
Horsepower Sliding Door Cabinet Case, For 28.5"H Horsepower	48"	15"	15"	<b>YHP1SSD4828()</b>	\$1,821.	\$2,001.	\$2,901.	\$2,901.	\$3,331.	\$4,326.
	60"	15"	15"	<b>YHP1SSD6028()</b>	2,322.	2,552.	3,283.	3,283.	3,769.	4,884.
	66"	15"	15"	<b>YHP1SSD6628()</b>	2,386.	2,621.	3,405.	3,405.	3,910.	5,067.
	72"	15"	15"	<b>YHP1SSD7228()</b>	2,448.	2,688.	3,527.	3,527.	4,049.	5,248.



description	w	d	h	pattern no.				V1	V2	V3
Sliding Door Set for Horsepower Sliding Door Cabinet Case, For 28.5"H Horsepower	48"	15"	15"	<b>YHP1SDK4828()</b>	721.	n/a	n/a	990.	1,139.	1,480.
	60"	15"	15"	<b>YHP1SDK6028()</b>	751.	n/a	n/a	1,048.	1,211.	1,577.
	66"	15"	15"	<b>YHP1SDK6628()</b>	790.	n/a	n/a	1,110.	1,276.	1,663.
	72"	15"	15"	<b>YHP1SDK7228()</b>	810.	n/a	n/a	1,141.	1,308.	1,704.

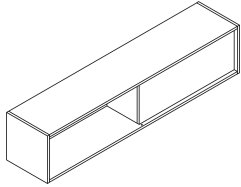


Ordering Information	Order Code	Included With	Options
<b>Horsepower Sliding Door Cabinet Case</b> 1. Pattern Number 2. Exterior Case Finish 3. Interior Case Finish (Laminate only) 4. Bracket Paint Finish  <b>Sliding Doors</b> 1. Pattern Number 2. Laminate Finish 3. Pull Finish	<b>Horsepower Sliding Door Cabinet Case</b>  <i>Example:</i> <b>YHP1SSD6028L, 118, 118T</b>  <b>YHP1S</b> Horsepower Storage <b>SD</b> Sliding Door Cabinet Case  <b>60</b> Width <b>28</b> For 28.5"H Horsepower <b>L</b> Laminate <b>118</b> Bright White Laminate <b>118</b> Bright White Laminate <b>118T</b> Bright White Paint  <i>Example:</i> <b>YHP1SDK60L, 118, 118T</b>  <b>YHP1S</b> Horsepower Storage <b>DK</b> Sliding Door Kit <b>60</b> Width <b>L</b> Laminate <b>118</b> Bright White Laminate <b>118T</b> Bright White Paint	<b>Horsepower Sliding Door Cabinet Case</b>  Cabinets 48"W or wider include a stiffener  <b>Sliding Doors</b>  Hardware	<b>Horsepower Sliding Door Cabinet Case</b>  <b>Case Finish Options:</b> (L) = All the same or different laminates for the exterior and interior case (V) = All the same veneer for the exterior and interior case  <b>Sliding Doors Door Finish Options:</b>  (L) = Laminate (V) = Veneer  Door pulls are available in Knoll core paints, Dark Red (130), and Slate Blue (131) paint finishes.

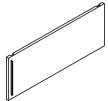
## For 28.5"H Horsepower

### Shared Sliding Door Cabinets with Opening on Left

description	w	d	h	pattern no.	All Same	Different	Different	V1	V2	V3
					Laminate (Core Lam.) (L)	Laminate Case/ Interior (Core Lam.) (L)	Laminate Case/Interior (Accent Lam.) (L)			
Horsepower Shared Sliding Door Cabinet Case, Opening on Left, For 28.5"H Horsepower	48"	15"	15"	<b>YHP1SSDL4828( )</b>	\$1,872.	\$2,051.	\$2,952.	\$2,952.	\$3,382.	\$4,377.
	60"	15"	15"	<b>YHP1SSDL6028( )</b>	2,373.	2,602.	3,333.	3,333.	3,819.	4,935.
	66"	15"	15"	<b>YHP1SSDL6628( )</b>	2,437.	2,671.	3,456.	3,456.	3,961.	5,118.
	72"	15"	15"	<b>YHP1SSDL7228( )</b>	2,499.	2,738.	3,578.	3,578.	4,100.	5,298.



Horsepower Shared Sliding Door Kit, Left, For 28.5"H Horsepower	48"	15"	15"	<b>YHP1SDKL4828( )</b>	721.	n/a	n/a	990.	1,139.	1,480.
	60"	15"	15"	<b>YHP1SDKL6028( )</b>	751.	n/a	n/a	1,048.	1,211.	1,577.
	66"	15"	15"	<b>YHP1SDKL6628( )</b>	790.	n/a	n/a	1,110.	1,276.	1,663.
	72"	15"	15"	<b>YHP1SDKL7228( )</b>	810.	n/a	n/a	1,141.	1,308.	1,704.

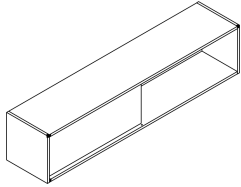


Ordering Information	Order Code	Included With	Options
<b>Horsepower Sliding Door Cabinet Case</b> 1. Pattern Number 2. Exterior Case Finish 3. Interior Case Finish (Laminate only) 4. Bracket Paint Finish  <b>Sliding Doors</b> 1. Pattern Number 2. Laminate Finish 3. Pull Finish	<b>Horsepower Sliding Door Cabinet Case</b>  <i>Example:</i> <b>YHP1SSD6028L, 118, 118T</b>  <b>YHP1S</b> Horsepower Storage <b>SD</b> Sliding Door Cabinet Case  <b>60</b> Width <b>28</b> For 28.5"H Horsepower <b>L</b> Laminate <b>118</b> Bright White Laminate <b>118</b> Bright White Laminate <b>118T</b> Bright White Paint  <i>Example:</i> <b>YHP1SDK60L, 118, 118T</b>  <b>YHP1S</b> Horsepower Storage <b>DK</b> Sliding Door Kit <b>60</b> Width <b>L</b> Laminate <b>118</b> Bright White Laminate <b>118T</b> Bright White Paint	<b>Horsepower Sliding Door Cabinet Case</b>  Cabinets 48"W or wider include a stiffener  <b>Sliding Doors</b>  Hardware	<b>Horsepower Sliding Door Cabinet Case</b>  <b>Case Finish Options:</b> (L) = All the same or different laminates for the exterior and interior case (V) = All the same veneer for the exterior and interior case  <b>Sliding Doors</b> <b>Door Finish Options:</b> (L) = Laminate (V) = Veneer  Door pulls are available in Knoll core paints, Dark Red (130), and Slate Blue (131) paint finishes.

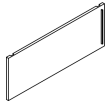
## For 28.5"H Horsepower

### Shared Sliding Door Cabinets with Opening on Right

description	w	d	h	pattern no.	All Same	Different	Different	V1	V2	V3
					Laminate (Core Lam.) (L)	Laminate Case/ Interior (Core Lam.) (L)	Laminate Case/Interior (Accent Lam.) (L)			
Horsepower Shared Sliding Door Cabinet Case, Opening on Right, For 28.5"H Horsepower	48"	15"	15"	<b>YHP1SSDR4828( )</b>	\$1,872.	\$2,051.	\$2,952.	\$2,952.	\$3,382.	\$4,377.
	60"	15"	15"	<b>YHP1SSDR6028( )</b>	2,373.	2,602.	3,333.	3,333.	3,819.	4,935.
	66"	15"	15"	<b>YHP1SSDR6628( )</b>	2,437.	2,671.	3,456.	3,456.	3,961.	5,118.
	72"	15"	15"	<b>YHP1SSDR7228( )</b>	2,499.	2,738.	3,578.	3,578.	4,100.	5,298.



Horsepower Shared Sliding Door Kit, Right, For 28.5"H Horsepower	48"	15"	15"	<b>YHP1SDKR4828( )</b>	721.	n/a	n/a	990.	1,139.	1,480.
	60"	15"	15"	<b>YHP1SDKR6028( )</b>	751.	n/a	n/a	1,048.	1,211.	1,577.
	66"	15"	15"	<b>YHP1SDKR6628( )</b>	790.	n/a	n/a	1,110.	1,276.	1,663.
	72"	15"	15"	<b>YHP1SDKR7228( )</b>	810.	n/a	n/a	1,141.	1,308.	1,704.



#### Ordering Information

##### Horsepower Sliding Door Cabinet Case

1. Pattern Number
2. Exterior Case Finish
3. Interior Case Finish (Laminate only)
4. Bracket Paint Finish

##### Sliding Doors

1. Pattern Number
2. Laminate Finish
3. Pull Finish

#### Order Code

##### Horsepower Sliding Door Cabinet Case

*Example:* **YHP1SSD6028L, 118, 118, 118T**

<b>YHP1S</b>	Horsepower Storage
<b>SD</b>	Sliding Door Cabinet Case
<b>60</b>	Width
<b>28</b>	For 28.5"H Horsepower
<b>L</b>	Laminate
<b>118</b>	Bright White Laminate
<b>118</b>	Bright White Laminate
<b>118T</b>	Bright White Paint

*Example:* **YHP1SDK60L, 118, 118T**

<b>YHP1S</b>	Horsepower Storage
<b>DK</b>	Sliding Door Kit
<b>60</b>	Width
<b>L</b>	Laminate
<b>118</b>	Bright White Laminate
<b>118T</b>	Bright White Paint

#### Included With

##### Horsepower Sliding Door Cabinet Case

Cabinets 48"W or wider include a stiffener

##### Sliding Doors

Hardware

#### Options

##### Horsepower Sliding Door Cabinet Case

##### Case Finish Options:

(L) = All the same or different laminates for the exterior and interior case  
(V) = All the same veneer for the exterior and interior case

##### Sliding Doors

##### Door Finish Options:


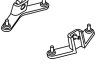
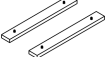
(L) = Laminate  
(V) = Veneer

Door pulls are available in Knoll core paints, Dark Red (130), and Slate Blue (131) paint finishes.

# Horsepower Wood Cabinets

## *Mounting Brackets and Ballast Kit*

Antenna Workspaces

description	type	w	d	h	pattern no.	list
 Horsepower End Cabinet Brackets	Kit of 4 End brackets to support one cabinet at either end.	3 1/2"	1 1/2"	1 1/2"	<b>YHP1SKA</b>	\$86.
 Horsepower Mid Cabinet Brackets	Kit of Mid brackets to support between adjacent cabinets	5 1/8"	1 1/2"	1 1/2"	<b>YHP1SKM</b>	66.
 Horsepower Ballast Kit (pair)	For 30"W Wood Cabinet or Metal Shelf	24 1/2"	3"	1"	<b>YHP1KUB30</b>	398.
	For 36"W Wood Cabinet or Metal Shelf	30 1/2"	3"	5/8"	<b>YHP1KUB36</b>	398.
	For 48"W Wood Cabinet or Metal Shelf	42 1/2"	3"	1/2"	<b>YHP1KUB48</b>	398.

Horsepower

### Ordering Information

#### Brackets

1. Pattern Number
2. Bracket Paint Finish

### Order Code

#### Horsepower Cabinet Brackets

*Example:* **YHP1SKA, 118T**

**YHP1** Horsepower

**SKA** End Brackets

**118T** Bright White Textured Paint

### Included With

#### Horsepower Cabinet Brackets

Attachment Hardware

### Options

#### Horsepower Cabinet Brackets

# Horsepower Metal Shelves

## Planning Guidelines and Specifications

### Horsepower Suspended Metal Shelves

Horsepower horizontal metal shelves mount between Independent Horsepower end legs to provide a lower display shelf.

Metal shelves are available for either 25" or 28½" high Independent Horsepower and include the necessary attachment hardware for mounting to end legs.

### Horsepower Counterweight Kits

Upmounted screens on Independent Horsepower require a lower shelf or cabinet with corresponding ballast kit. Ballast kits include a pair of flat steel counterweights that mount to the underside of the metal shelf. Ballast kits are available for 30", 36" and 48" wide metal shelves.

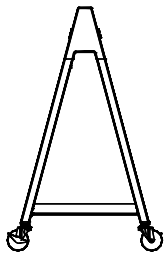
### Construction

Metal shelves are formed heavy gauge steel.

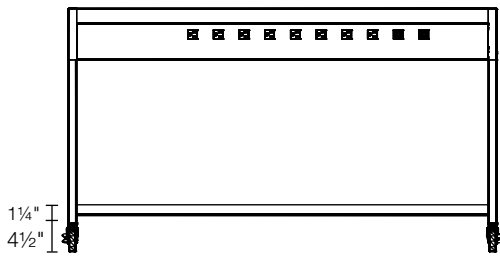
### Specification Options

Metal shelves are available in any Knoll Core paint finish, Dark Red, Slate Blue or Black Wrinkle.

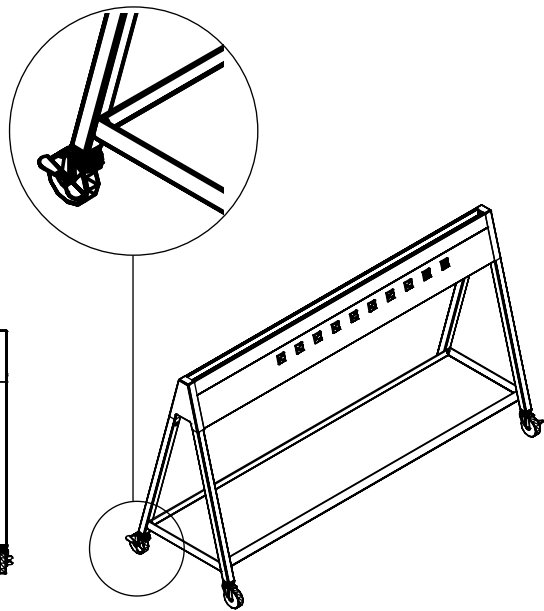
Counterweights are painted black.



Independent Horsepower with Metal Shelf End Elevation



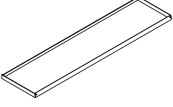
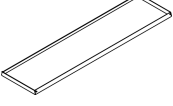
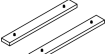
Independent Horsepower with Metal Shelf Side Elevation



Independent Horsepower with Metal Shelf

# Horsepower Metal Shelves

## 25" h and 28.5" H

description	type	w	d	h	pattern no.	list
Horsepower Metal Shelves, For 25"H Independent Horsepower 	For 24"W Independent Horsepower	26"	11"	1 1/4"	<b>YHP1SMS2425</b>	\$239.
	For 30"W Independent Horsepower	32"	11"	1 1/4"	<b>YHP1SMS3025</b>	274.
	For 36"W Independent Horsepower	38"	11"	1 1/4"	<b>YHP1SMS3625</b>	299.
	For 48"W Independent Horsepower	50"	11"	1 1/4"	<b>YHP1SMS4825</b>	365.
Horsepower Metal Shelves, For 28 1/2"H Independent Horsepower 	For 24"W Independent Horsepower	26"	12"	1 1/4"	<b>YHP1SMS2428</b>	305.
	For 30"W Independent Horsepower	32"	12"	1 1/4"	<b>YHP1SMS3028</b>	320.
	For 36"W Independent Horsepower	38"	12"	1 1/4"	<b>YHP1SMS3628</b>	350.
	For 48"W Independent Horsepower	50"	12"	1 1/4"	<b>YHP1SMS4828</b>	421.
Horsepower Ballast Kit (pair) 	For 30"W Wood Cabinet or Metal Shelf	24 1/2"	3"	1"	<b>YHP1KUB30</b>	398.
	For 36"W Wood Cabinet or Metal Shelf	30 1/2"	3"	5/8"	<b>YHP1KUB36</b>	398.
	For 48"W Wood Cabinet or Metal Shelf	42 1/2"	3"	1/2"	<b>YHP1KUB48</b>	398.

Horsepower

Ordering Information	Order Code	Included With	Options
<b>Horsepower Metal Shelf</b> 1. Pattern Number 2. Paint Finish	<b>Horsepower Metal Shelf</b> <hr/> <i>Example:</i> <b>YHP1SMS3025, 118T</b> <hr/> <b>YHP1</b> Horsepower <hr/> <b>SMS</b> Metal Shelf <hr/> <b>30</b> Width <hr/> <b>25</b> For 25"H Horsepower <hr/> <b>118T</b> Bright White Textured Paint	<b>Horsepower Metal Shelf</b> Attachment Hardware	<b>Horsepower Metal Shelf</b>

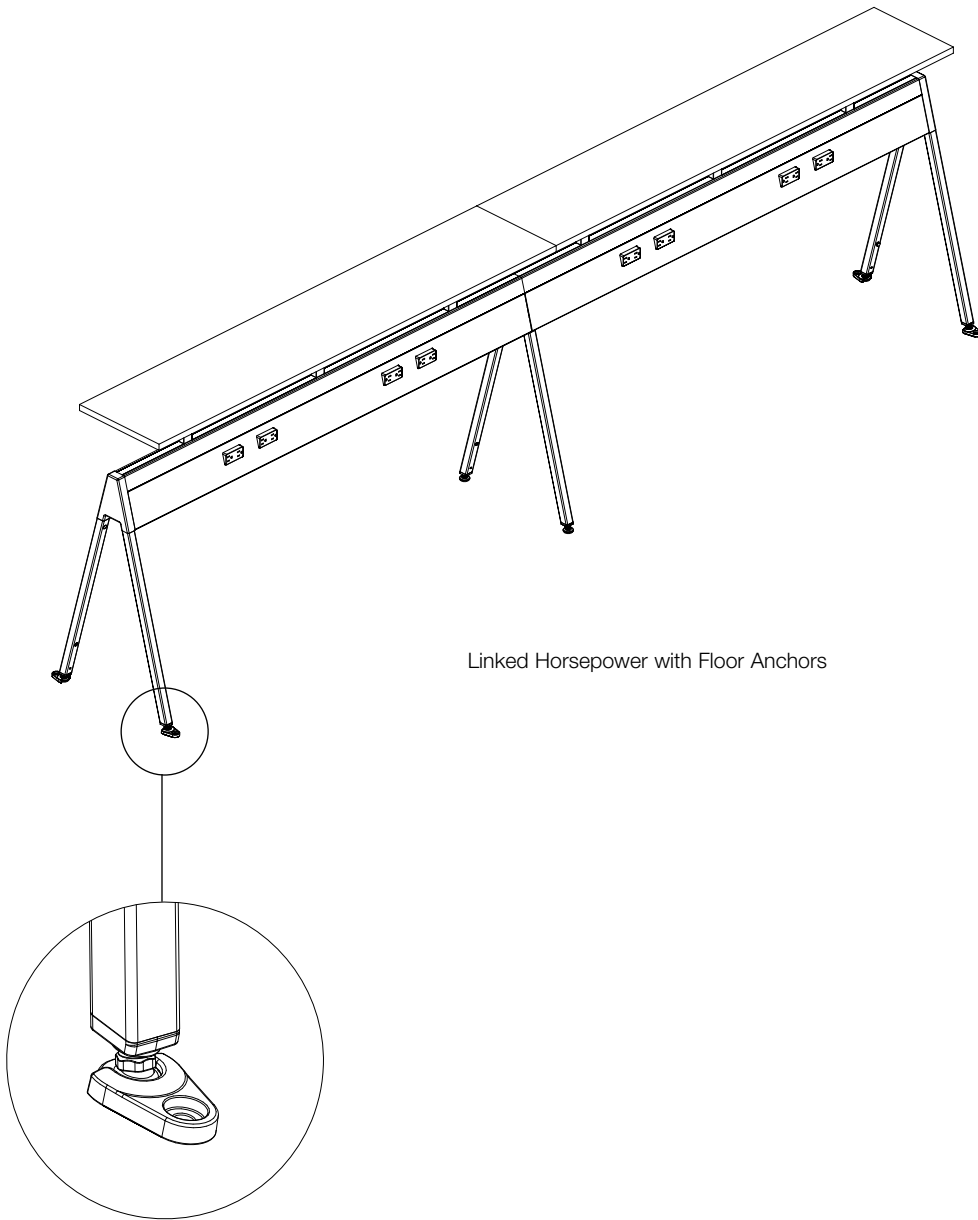
# Horsepower Accessories

## *Planning Guidelines and Specifications*

Horsepower floor anchors secure levelers to the floor in high-use or high-security areas when used with suitable fasteners for the floor construction type, compliant with applicable building codes or regulations.

**Construction**  
Floor Anchors are die-cast aluminum.

**Specification Options**  
Floor Anchors default to a fine polish finish.



Linked Horsepower with Floor Anchors

Floor Anchor Detail

# Horsepower Accessories

## *Floor Anchors*

description	type	w	d	h	pattern no.	list
Floor Anchors (pair)	For Horsepower Leg with Glides	1 1/2"	2"	1/3"	<b>YHP1F</b>	\$25.



Horsepower

Ordering Information	Order Code	Included With	Options
Horsepower Floor Anchor	Horsepower Floor Anchor	Horsepower Floor Anchor	Horsepower Floor Anchor
1. Pattern Number	<i>Example:</i> <b>YHP1F</b> <b>YHP1F</b> Horsepower Floor Anchor		



# Alpha-Numeric Index

<i>pattern no.</i>	<i>page</i>	<i>pattern no.</i>	<i>page</i>	<i>pattern no.</i>	<i>page</i>	<i>pattern no.</i>	<i>page</i>
ACT-CUP-IP	312	IPSC1572(N/T)GG	315	IPSC4836(N/T)GT	321	IPSI1572F	335
AR1EPIC	309	IPSC1572(N/T)GT	315	IPSC4836(N/T)LF	322	IPSI6415F	342
AR1TPIC	309	IPSC1572(N/T)LF	316	IPSC4836(N/T)LL	321	IPSN144	303
DE18CII44	309	IPSC1572(N/T)LL	315	IPSC4842(N/T)GG	321	IPSOB3615	329
DE1ECII44	309	IPSC2436(N/T)GG	317	IPSC4842(N/T)GT	321	IPSOB4215	329
DE1TCII44	309	IPSC2436(N/T)GT	317	IPSC4842(N/T)LF	322	IPSOB4815	329
IPACPU	312	IPSC2436(N/T)LF	318	IPSC4842(N/T)LL	321	IPSOB5415	329
IPAVESA	312	IPSC2436(N/T)LL	317	IPSC4848(N/T)GG	321	IPSOB6015	329
IPBH	312	IPSC2442(N/T)GG	317	IPSC4848(N/T)GT	321	IPSOB6615	329
IPCC10	311	IPSC2442(N/T)GT	317	IPSC4848(N/T)LF	322	IPSOB7215	329
IPCH	312	IPSC2442(N/T)LF	318	IPSC4848(N/T)LL	321	IPSOE3615	329
IPCS1212	312	IPSC2442(N/T)LL	317	IPSC4854(N/T)GG	321	IPSOE4215	329
IPCT	311	IPSC2448(N/T)GG	317	IPSC4854(N/T)GT	321	IPSOE4815	329
IPEL	306	IPSC2448(N/T)GT	317	IPSC4854(N/T)LF	322	IPSOE5415	329
IPESCNN47	303	IPSC2448(N/T)LF	318	IPSC4854(N/T)LL	321	IPSOE6015	329
IPEX	311	IPSC2448(N/T)LL	317	IPSC4860(N/T)GG	321	IPSOE6615	329
IPOC12	311	IPSC2454(N/T)GG	317	IPSC4860(N/T)GT	321	IPSOE7215	329
IPOC6	311	IPSC2454(N/T)GT	317	IPSC4860(N/T)LF	322	IPSOS3615	329
IPPL30R	312	IPSC2454(N/T)LF	318	IPSC4860(N/T)LL	321	IPSOS4215	329
IPRC18	306	IPSC2454(N/T)LL	317	IPSC4866(N/T)GG	321	IPSOS4815	329
IPRC26	306	IPSC2460(N/T)GG	317	IPSC4866(N/T)GT	321	IPSOS5415	329
IPRC30	306	IPSC2460(N/T)GT	317	IPSC4866(N/T)LF	322	IPSOS6015	329
IPRC42	306	IPSC2460(N/T)LF	318	IPSC4866(N/T)LL	321	IPSOS6615	329
IPRC6	306	IPSC2460(N/T)LL	317	IPSC4872(N/T)GG	321	IPSOS7215	329
IPRCF120	306	IPSC2466(N/T)GG	317	IPSC4872(N/T)GT	321	IPSSD3615	331
IPRCF180	306	IPSC2466(N/T)GT	317	IPSC4872(N/T)LF	322	IPSSD4215	331
IPRCF72	306	IPSC2466(N/T)LF	318	IPSC4872(N/T)LL	321	IPSSD4815	331
IPRCF96	306	IPSC2466(N/T)LL	317	IPSC6436(N/T)GG	323	IPSSD5415	331
IPRCFNY	306	IPSC2472(N/T)GG	317	IPSC6436(N/T)GT	323	IPSSD6015	331
IPRD1	306	IPSC2472(N/T)GT	317	IPSC6436(N/T)LF	324	IPSSD6615	331
IPRD1C	306	IPSC2472(N/T)LF	318	IPSC6436(N/T)LL	323	IPSSD7215	331
IPRD2	306	IPSC2472(N/T)LL	317	IPSC6442(N/T)GG	323	IPSSDK36	331
IPRD2C	306	IPSC3236(N/T)GG	319	IPSC6442(N/T)GT	323	IPSSDK42	331
IPRFF48	306	IPSC3236(N/T)GT	319	IPSC6442(N/T)LF	324	IPSSDK48	331
I PROF	307	IPSC3236(N/T)LF	320	IPSC6442(N/T)LL	323	IPSSDK54	331
IPRUSB	306	IPSC3236(N/T)LL	319	IPSC6448(N/T)GG	323	IPSSDK60	331
IPRVWM	311	IPSC3242(N/T)GG	319	IPSC6448(N/T)GT	323	IPSSDK66	331
IPSC1536(N/T)GG	315	IPSC3242(N/T)GT	319	IPSC6448(N/T)LF	324	IPSSDK72	331
IPSC1536(N/T)GT	315	IPSC3242(N/T)LF	320	IPSC6448(N/T)LL	323	IPSSOEL3615	330
IPSC1536(N/T)LF	316	IPSC3242(N/T)LL	319	IPSC6454(N/T)GG	323	IPSSOEL4215	330
IPSC1536(N/T)LL	315	IPSC3248(N/T)GG	319	IPSC6454(N/T)GT	323	IPSSOEL4815	330
IPSC1542(N/T)GG	315	IPSC3248(N/T)GT	319	IPSC6454(N/T)LF	324	IPSSOEL5415	330
IPSC1542(N/T)GT	315	IPSC3248(N/T)LF	320	IPSC6454(N/T)LL	323	IPSSOEL6015	330
IPSC1542(N/T)LF	316	IPSC3248(N/T)LL	319	IPSC6460(N/T)GG	323	IPSSOEL6615	330
IPSC1542(N/T)LL	315	IPSC3254(N/T)GG	319	IPSC6460(N/T)GT	323	IPSSOEL7215	330
IPSC1548(N/T)GG	315	IPSC3254(N/T)GT	319	IPSC6460(N/T)LF	324	IPSSOER3615	330
IPSC1548(N/T)GT	315	IPSC3254(N/T)LF	320	IPSC6460(N/T)LL	323	IPSSOER4215	330
IPSC1548(N/T)LF	316	IPSC3254(N/T)LL	319	IPSCHH144	304	IPSSOER4815	330
IPSC1548(N/T)LL	315	IPSC3260(N/T)GG	319	IPSCLL144	304	IPSSOER5415	330
IPSC1554(N/T)GG	315	IPSC3260(N/T)GT	319	IPSCMM144	304	IPSSOER6015	330
IPSC1554(N/T)GT	315	IPSC3260(N/T)LF	320	IPSCNG144	303	IPSSOER6615	330
IPSC1554(N/T)LF	316	IPSC3260(N/T)LL	319	IPSCNH144	304	IPSSOER7215	330
IPSC1554(N/T)LL	315	IPSC3266(N/T)GG	319	IPSCNL144	304	IPSSSDKL36	332
IPSC1560(N/T)GG	315	IPSC3266(N/T)GT	319	IPSCNM144	304	IPSSSDKL42	332
IPSC1560(N/T)GT	315	IPSC3266(N/T)LF	320	IPSCNN144	303	IPSSSDKL48	332
IPSC1560(N/T)LF	316	IPSC3266(N/T)LL	319	IPSI1536F	335	IPSSSDKL54	332
IPSC1560(N/T)LL	315	IPSC3272(N/T)GG	319	IPSI1542F	335	IPSSSDKL60	332
IPSC1566(N/T)GG	315	IPSC3272(N/T)GT	319	IPSI1548F	335	IPSSSDKL66	332
IPSC1566(N/T)GT	315	IPSC3272(N/T)LF	320	IPSI1554F	335	IPSSSDKL72	332
IPSC1566(N/T)LF	316	IPSC3272(N/T)LL	319	IPSI1560F	335	IPSSSDKR36	333
IPSC1566(N/T)LL	315	IPSC4836(N/T)GG	321	IPSI1566F	335	IPSSSDKR42	333

<i>pattern no.</i>	<i>page</i>	<i>pattern no.</i>	<i>page</i>	<i>pattern no.</i>	<i>page</i>	<i>pattern no.</i>	<i>page</i>
IPSSDKR48	333	YBPTSSFESL2860	388	YBPTSSFESS2872	388	YBPTSSFEXR2884	392
IPSSDKR54	333	YBPTSSFESL2866	388	YBPTSSFESS2878	388	YBPTSSFEXR4248	393
IPSSDKR60	333	YBPTSSFESL2872	388	YBPTSSFESS2884	388	YBPTSSFEXR4254	393
IPSSDKR66	333	YBPTSSFESL2878	388	YBPTSSFESS4248	389	YBPTSSFEXR4260	393
IPSSDKR72	333	YBPTSSFESL2884	388	YBPTSSFESS4254	389	YBPTSSFEXR4266	393
IPSSDL3615	332	YBPTSSFESL4248	389	YBPTSSFESS4260	389	YBPTSSFEXR4272	393
IPSSDL4215	332	YBPTSSFESL4254	389	YBPTSSFESS4266	389	YBPTSSFEXR4278	393
IPSSDL4815	332	YBPTSSFESL4260	389	YBPTSSFESS4272	389	YBPTSSFEXR4284	393
IPSSDL5415	332	YBPTSSFESL4266	389	YBPTSSFESS4278	389	YBPTSSFEXR4948	394
IPSSDL6015	332	YBPTSSFESL4272	389	YBPTSSFESS4284	389	YBPTSSFEXR4954	394
IPSSDL6615	332	YBPTSSFESL4278	389	YBPTSSFESS4948	391	YBPTSSFEXR4960	394
IPSSDL7215	332	YBPTSSFESL4284	389	YBPTSSFESS4954	391	YBPTSSFEXR4966	394
IPSSDR3615	333	YBPTSSFESL4948	390	YBPTSSFESS4960	391	YBPTSSFEXR4972	394
IPSSDR4215	333	YBPTSSFESL4954	390	YBPTSSFESS4966	391	YBPTSSFEXR4978	394
IPSSDR4815	333	YBPTSSFESL4960	390	YBPTSSFESS4972	391	YBPTSSFEXR4984	394
IPSSDR5415	333	YBPTSSFESL4966	390	YBPTSSFESS4978	391	YBPTSSFEXS2848	392
IPSSDR6015	333	YBPTSSFESL4972	390	YBPTSSFESS4984	391	YBPTSSFEXS2854	392
IPSSDR6615	333	YBPTSSFESL4978	390	YBPTSSFEXL2848	392	YBPTSSFEXS2860	392
IPSSDR7215	333	YBPTSSFESL4984	390	YBPTSSFEXL2854	392	YBPTSSFEXS2866	392
IPVDL1564L	339	YBPTSSFESN2848	388	YBPTSSFEXL2860	392	YBPTSSFEXS2872	392
IPVDL1564R	339	YBPTSSFESN2854	388	YBPTSSFEXL2866	392	YBPTSSFEXS2878	392
IPVDR1564L	339	YBPTSSFESN2860	388	YBPTSSFEXL2872	392	YBPTSSFEXS2884	392
IPVDR1564R	339	YBPTSSFESN2866	388	YBPTSSFEXL2878	392	YBPTSSFEXS4248	393
IPVOS1564L	338	YBPTSSFESN2872	388	YBPTSSFEXL2884	392	YBPTSSFEXS4254	393
IPVOS1564R	338	YBPTSSFESN2878	388	YBPTSSFEXL4248	393	YBPTSSFEXS4260	393
IPSVWL1564L	340	YBPTSSFESN2884	388	YBPTSSFEXL4254	393	YBPTSSFEXS4266	393
IPSVWL1564R	340	YBPTSSFESN4248	389	YBPTSSFEXL4260	393	YBPTSSFEXS4272	393
IPSVWR1564L	340	YBPTSSFESN4254	389	YBPTSSFEXL4266	393	YBPTSSFEXS4278	393
IPSVWR1564R	340	YBPTSSFESN4260	389	YBPTSSFEXL4272	393	YBPTSSFEXS4284	393
RR3EPVR	309	YBPTSSFESN4266	389	YBPTSSFEXL4278	393	YBPTSSFEXS4948	395
RR3TPVR	309	YBPTSSFESN4272	389	YBPTSSFEXL4284	393	YBPTSSFEXS4954	395
YACPU	98	YBPTSSFESN4278	389	YBPTSSFEXL4948	394	YBPTSSFEXS4960	395
YAK	98	YBPTSSFESN4284	389	YBPTSSFEXL4954	394	YBPTSSFEXS4966	395
YAPTC	228, 233, 238	YBPTSSFESN4948	390	YBPTSSFEXL4960	394	YBPTSSFEXS4972	395
YAPTN	228, 233, 238	YBPTSSFESN4954	390	YBPTSSFEXL4966	394	YBPTSSFEXS4978	395
YB2DPD	431	YBPTSSFESN4960	390	YBPTSSFEXL4972	394	YBPTSSFEXS4984	395
YBAFE25	91	YBPTSSFESN4966	390	YBPTSSFEXL4978	394	YBRB39	85
YBAFE28	91	YBPTSSFESN4972	390	YBPTSSFEXL4984	394	YBRB45	85
YBATBT22	91	YBPTSSFESN4978	390	YBPTSSFEXN2848	392	YBRB51	85
YBATBT25	91	YBPTSSFESN4984	390	YBPTSSFEXN2854	392	YBRB57	85
YBATE22	91	YBPTSSFESR2848	388	YBPTSSFEXN2860	392	YBRB63	85
YBATE25	91, 227	YBPTSSFESR2854	388	YBPTSSFEXN2866	392	YBRB69	85
YBATE28	91	YBPTSSFESR2860	388	YBPTSSFEXN2872	392	YBRB75	85
YBAW25	91, 231	YBPTSSFESR2866	388	YBPTSSFEXN2878	392	YBRB81	85
YBCDE	87, 247	YBPTSSFESR2872	388	YBPTSSFEXN2884	392	YBRB87	85
YBCRR	92	YBPTSSFESR2878	388	YBPTSSFEXN4248	393	YBRB93	85
YBCWS	92	YBPTSSFESR2884	388	YBPTSSFEXN4254	393	YBRBTE48	82
YBF	92	YBPTSSFESR4248	389	YBPTSSFEXN4260	393	YBRBTE54	82
YBIG	153	YBPTSSFESR4254	389	YBPTSSFEXN4266	393	YBRBTE60	82
YBPSSB2748	139	YBPTSSFESR4260	389	YBPTSSFEXN4272	393	YBRBTE66	82
YBPSSB2754	139	YBPTSSFESR4266	389	YBPTSSFEXN4278	393	YBRBTE72	82
YBPSSB2760	139	YBPTSSFESR4272	389	YBPTSSFEXN4284	393	YBRBTE78	82
YBPSSB2766	139	YBPTSSFESR4278	389	YBPTSSFEXN4948	394	YBRBTE84	82
YBPSSB2772	139	YBPTSSFESR4284	389	YBPTSSFEXN4954	394	YBRBTE90	82
YBPSSB2778	139	YBPTSSFESR4948	390	YBPTSSFEXN4960	394	YBRBTE96	82
YBPSSB2784	139	YBPTSSFESR4954	390	YBPTSSFEXN4966	394	YBRBTS45	82
YBPSSF2748	138	YBPTSSFESR4960	390	YBPTSSFEXN4972	394	YBRBTS51	82
YBPSSF2754	138	YBPTSSFESR4966	390	YBPTSSFEXN4978	394	YBRBTS57	82
YBPSSF2760	138	YBPTSSFESR4972	390	YBPTSSFEXN4984	394	YBRBTS63	82
YBPSSF2766	138	YBPTSSFESR4978	390	YBPTSSFEXR2848	392	YBRBTS69	82
YBPSSF2772	138	YBPTSSFESR4984	390	YBPTSSFEXR2854	392	YBRBTS75	82
YBPSSF2778	138	YBPTSSFESS2848	388	YBPTSSFEXR2860	392	YBRBTS81	82
YBPSSF2784	138	YBPTSSFESS2854	388	YBPTSSFEXR2866	392	YBRBTS87	82
YBPTSSFESL2848	388	YBPTSSFESS2860	388	YBPTSSFEXR2872	392	YBRBTS93	82
YBPTSSFESL2854	388	YBPTSSFESS2866	388	YBPTSSFEXR2878	392	YBRE	92

<i>pattern no.</i>	<i>page</i>	<i>pattern no.</i>	<i>page</i>	<i>pattern no.</i>	<i>page</i>	<i>pattern no.</i>	<i>page</i>
YBRE36	80	YBSSLDC1	358	YBTEXBNI54	368	YBTFESBTE60	370
YBRE42	80	YBSSLDC2	358	YBTEXBNI60	368	YBTFESBTE66	370
YBRE48	80	YBSSLDH1	358	YBTEXBNI66	368	YBTFESBTE72	370
YBRE54	80	YBSSLDH2	358	YBTEXBNI72	368	YBTFESBTE78	370
YBRE60	80	YBSSLDL1	358	YBTEXBNI78	368	YBTFESBTE84	370
YBRE66	80	YBSSLDL2	358	YBTEXBNI84	368	YBTFESBTI48	370
YBRE72	80	YBTCL	431	YBTEXBNS48	368	YBTFESBTI54	370
YBRE78	80	YBTE	87, 250	YBTEXBNS54	368	YBTFESBTI60	370
YBRE84	81	YBTESBNE48	365	YBTEXBNS60	368	YBTFESBTI66	370
YBRE90	81	YBTESBNE54	365	YBTEXBNS66	368	YBTFESBTI72	370
YBRE96	81	YBTESBNE60	365	YBTEXBNS72	368	YBTFESBTI78	370
YBRR33	84	YBTESBNE66	365	YBTEXBNS78	368	YBTFESBTI84	370
YBRR36	84	YBTESBNE72	365	YBTEXBNS84	368	YBTFESBTS48	370
YBRR39	84	YBTESBNE78	365	YBTEXBTE48	367	YBTFESBTS54	370
YBRR42	84	YBTESBNE84	365	YBTEXBTE54	367	YBTFESBTS60	370
YBRR45	84	YBTESBNI48	365	YBTEXBTE60	367	YBTFESBTS66	370
YBRR48	84	YBTESBNI54	365	YBTEXBTE66	367	YBTFESBTS72	370
YBRR51	84	YBTESBNI60	365	YBTEXBTE72	367	YBTFESBTS78	370
YBRR54	84	YBTESBNI66	365	YBTEXBTE78	367	YBTFESBTS84	370
YBRR57	84	YBTESBNI72	365	YBTEXBTE84	367	YBTFESNNS48	372
YBRR60	84	YBTESBNI78	365	YBTEXBTI48	367	YBTFESNNS54	372
YBRR63	84	YBTESBNI84	365	YBTEXBTI54	367	YBTFESNNS60	372
YBRR66	84	YBTESBNS48	365	YBTEXBTI60	367	YBTFESNNS66	372
YBRR69	84	YBTESBNS54	365	YBTEXBTI66	367	YBTFESNNS72	372
YBRR72	84	YBTESBNS60	365	YBTEXBTI72	367	YBTFESNNS78	372
YBRR75	84	YBTESBNS66	365	YBTEXBTI78	367	YBTFESNNS84	372
YBRR78	84	YBTESBNS72	365	YBTEXBTI84	367	YBTFSBNE48	374
YBRR81	84	YBTESBNS78	365	YBTEXBTS48	367	YBTFSBNE54	374
YBRR84	84	YBTESBNS84	365	YBTEXBTS54	367	YBTFSBNE60	374
YBRR87	84	YBTESBTE48	364	YBTEXBTS60	367	YBTFSBNE66	374
YBRR90	84	YBTESBTE54	364	YBTEXBTS66	367	YBTFSBNE72	374
YBRR93	84	YBTESBTE60	364	YBTEXBTS72	367	YBTFSBNE78	374
YBRS33	80	YBTESBTE66	364	YBTEXBTS78	367	YBTFSBNE84	374
YBRS39	80	YBTESBTE72	364	YBTEXBTS84	367	YBTFSBNI48	374
YBRS45	80	YBTESBTE78	364	YBTENNS48	369	YBTFSBNI54	374
YBRS51	80	YBTESBTE84	364	YBTENNS54	369	YBTFSBNI60	374
YBRS57	80	YBTESBTI48	364	YBTENNS60	369	YBTFSBNI66	374
YBRS63	80	YBTESBTI54	364	YBTENNS66	369	YBTFSBNI72	374
YBRS69	80	YBTESBTI60	364	YBTENNS72	369	YBTFSBNI78	374
YBRS75	80	YBTESBTI66	364	YBTENNS78	369	YBTFSBNI84	374
YBRS81	80	YBTESBTI72	364	YBTENNS84	369	YBTFSBNS48	374
YBRS87	80	YBTESBTI78	364	YBTF8	431	YBTFSBNS54	374
YBRS93	80	YBTESBTI84	364	YBTFESBNE48	371	YBTFSBNS60	374
YBRT105	80	YBTESBTS48	364	YBTFESBNE54	371	YBTFSBNS66	374
YBRT111	80	YBTESBTS54	364	YBTFESBNE60	371	YBTFSBNS72	374
YBRT33	80	YBTESBTS60	364	YBTFESBNE66	371	YBTFSBNS78	374
YBRT39	80	YBTESBTS66	364	YBTFESBNE72	371	YBTFSBNS84	374
YBRT45	80	YBTESBTS72	364	YBTFESBNE78	371	YBTFSBTE48	373
YBRT51	80	YBTESBTS78	364	YBTFESBNE84	371	YBTFSBTE54	373
YBRT57	80	YBTESBTS84	364	YBTFESBNI48	371	YBTFSBTE60	373
YBRT63	80	YBTESNNS48	366	YBTFESBNI54	371	YBTFSBTE66	373
YBRT69	80	YBTESNNS54	366	YBTFESBNI60	371	YBTFSBTE72	373
YBRT75	80	YBTESNNS60	366	YBTFESBNI66	371	YBTFSBTE78	373
YBRT81	80	YBTESNNS66	366	YBTFESBNI72	371	YBTFSBTE84	373
YBRT87	80	YBTESNNS72	366	YBTFESBNI78	371	YBTFSBTI48	373
YBRT93	80	YBTESNNS78	366	YBTFESBNI84	371	YBTFSBTI54	373
YBRT99	80	YBTESNNS84	366	YBTFESBNS48	371	YBTFSBTI60	373
YBSCL	359	YBTEXBNE48	368	YBTFESBNS54	371	YBTFSBTI66	373
YBSCLN	359	YBTEXBNE54	368	YBTFESBNS60	371	YBTFSBTI72	373
YBSLDC2	358	YBTEXBNE60	368	YBTFESBNS66	371	YBTFSBTI78	373
YBSLDC4	358	YBTEXBNE66	368	YBTFESBNS72	371	YBTFSBTI84	373
YBSLDH2	358	YBTEXBNE72	368	YBTFESBNS78	371	YBTFSBTS48	373
YBSLDH4	358	YBTEXBNE78	368	YBTFESBNS84	371	YBTFSBTS54	373
YBSLDL2	358	YBTEXBNE84	368	YBTFESBTE48	370	YBTFSBTS60	373
YBSLDL4	358	YBTEXBNI48	368	YBTFESBTE54	370	YBTFSBTS66	373

<i>pattern no.</i>	<i>page</i>	<i>pattern no.</i>	<i>page</i>	<i>pattern no.</i>	<i>page</i>	<i>pattern no.</i>	<i>page</i>
YBTFBTS72	373	YBTSSFESBTL4827	377	YBTSSFESBNS5424	376	YBTSSFESBTR5430	381
YBTFBTS78	373	YBTSSFESBTL4830	378	YBTSSFESBNS5427	377	YBTSSFESBTR6024	379
YBTFBTS84	373	YBTSSFESBTL5424	376	YBTSSFESBNS5430	378	YBTSSFESBTR6027	380
YBTFSNNS48	375	YBTSSFESBTL5427	377	YBTSSFESBNS6024	376	YBTSSFESBTR6030	381
YBTFSNNS54	375	YBTSSFESBTL5430	378	YBTSSFESBNS6027	377	YBTSSFESBTR6624	379
YBTFSNNS60	375	YBTSSFESBTL6024	376	YBTSSFESBNS6030	378	YBTSSFESBTR6627	380
YBTFSNNS66	375	YBTSSFESBTL6027	377	YBTSSFESBNS6624	376	YBTSSFESBTR6630	381
YBTFSNNS72	375	YBTSSFESBTL6030	378	YBTSSFESBNS6627	377	YBTSSFESBTR7224	379
YBTFSNNS78	375	YBTSSFESBTL6624	376	YBTSSFESBNS6630	378	YBTSSFESBTR7227	380
YBTFSNNS84	375	YBTSSFESBTL6627	377	YBTSSFESBNS7224	376	YBTSSFESBTR7230	381
YBTHS	431	YBTSSFESBTL6630	378	YBTSSFESBNS7227	377	YBTSSFESBTR7824	379
YBTKB10	431	YBTSSFESBTL7224	376	YBTSSFESBNS7230	378	YBTSSFESBTR7827	380
YBTKB5	431	YBTSSFESBTL7227	377	YBTSSFESBNS7824	376	YBTSSFESBTR7830	381
YBTRES102	404	YBTSSFESBTL7230	378	YBTSSFESBNS7827	377	YBTSSFESBTR8424	379
YBTRES54	404, 407	YBTSSFESBTL7824	376	YBTSSFESBNS7830	378	YBTSSFESBTR8427	380
YBTRES57	404, 407	YBTSSFESBTL7827	377	YBTSSFESBNS8424	376	YBTSSFESBTR8430	381
YBTRES60	404, 407	YBTSSFESBTL7830	378	YBTSSFESBNS8427	377	YBTSSFESBTR8430	381
YBTRES63	404, 407	YBTSSFESBTL8424	376	YBTSSFESBNS8430	378	YBTSSFESBTR8424	379
YBTRES66	404, 407	YBTSSFESBTL8427	377	YBTSSFESBTL4824	379	YBTSSFESBTR8427	380
YBTRES69	404, 407	YBTSSFESBTL8430	378	YBTSSFESBTL4827	380	YBTSSFESBTR8430	381
YBTRES72	404, 407	YBTSSFESBTL8430	378	YBTSSFESBTL4830	381	YBTSSFESBTR8424	379
YBTRES75	404, 407	YBTSSFESBTL8427	377	YBTSSFESBTL5424	379	YBTSSFESBTR8427	380
YBTRES78	404, 407	YBTSSFESBTL8430	378	YBTSSFESBTL5427	380	YBTSSFESBTR8430	381
YBTRES81	404, 407	YBTSSFESBTL8430	378	YBTSSFESBTL5430	381	YBTSSFESBTR8424	379
YBTRES84	404, 407	YBTSSFESBTL8427	377	YBTSSFESBTL6024	379	YBTSSFESBTR8427	380
YBTRES87	404, 407	YBTSSFESBTL8430	378	YBTSSFESBTL6027	380	YBTSSFESBTR8430	381
YBTRES90	404, 407	YBTSSFESBTL6024	376	YBTSSFESBTL6030	381	YBTSSFESBTR8424	379
YBTRES93	404, 407	YBTSSFESBTL6027	377	YBTSSFESBTL6624	379	YBTSSFESBTR8427	380
YBTRES96	404, 407	YBTSSFESBTL6030	378	YBTSSFESBTL6627	380	YBTSSFESBTR8430	381
YBTRES99	404	YBTSSFESBTL6624	376	YBTSSFESBTL6630	381	YBTSSFESBTR8424	379
YBTREX102	405	YBTSSFESBTL6627	377	YBTSSFESBTL7224	379	YBTSSFESBTR8427	380
YBTREX54	405, 408	YBTSSFESBTL6630	378	YBTSSFESBTL7227	380	YBTSSFESBTR8430	381
YBTREX57	405, 408	YBTSSFESBTL7224	376	YBTSSFESBTL7230	381	YBTSSFESBTR8424	379
YBTREX60	405, 408	YBTSSFESBTL7227	377	YBTSSFESBTL7824	379	YBTSSFESBTR8427	380
YBTREX63	405, 408	YBTSSFESBTL7230	378	YBTSSFESBTL7827	380	YBTSSFESBTR8430	381
YBTREX66	405, 408	YBTSSFESBTL7824	376	YBTSSFESBTL7830	381	YBTSSFESBTR8424	379
YBTREX69	405, 408	YBTSSFESBTL7827	377	YBTSSFESBTL8424	379	YBTSSFESBTR8427	380
YBTREX72	405, 408	YBTSSFESBTL7830	378	YBTSSFESBTL8427	380	YBTSSFESBTR8430	381
YBTREX75	405, 408	YBTSSFESBTL8424	376	YBTSSFESBTL8430	381	YBTSSFESBTR8424	379
YBTREX78	405, 408	YBTSSFESBTL8427	377	YBTSSFESBTL8430	381	YBTSSFESBTR8427	380
YBTREX81	405, 408	YBTSSFESBTL8430	378	YBTSSFESBTL8424	379	YBTSSFESBTR8430	381
YBTREX84	405, 408	YBTSSFESBTL8427	377	YBTSSFESBTL8427	380	YBTSSFESBTR8424	379
YBTREX87	405, 408	YBTSSFESBTL8430	378	YBTSSFESBTL8430	381	YBTSSFESBTR8427	380
YBTREX90	405, 408	YBTSSFESBTL8424	376	YBTSSFESBTL8424	379	YBTSSFESBTR8430	381
YBTREX93	405, 408	YBTSSFESBTL8427	377	YBTSSFESBTL8427	380	YBTSSFESBTR8424	379
YBTREX96	405, 408	YBTSSFESBTL8430	378	YBTSSFESBTL8424	379	YBTSSFESBTR8427	380
YBTREX99	405	YBTSSFESBTL8430	378	YBTSSFESBTL8424	379	YBTSSFESBTR8430	381
YBTRFS102	406	YBTSSFESBTL6024	376	YBTSSFESBTL6030	381	YBTSSFESBTR8424	379
YBTRFS54	406, 409	YBTSSFESBTL6027	377	YBTSSFESBTL6624	379	YBTSSFESBTR8427	380
YBTRFS57	406, 409	YBTSSFESBTL6030	378	YBTSSFESBTL6627	380	YBTSSFESBTR8430	381
YBTRFS60	406, 409	YBTSSFESBTL6624	376	YBTSSFESBTL6630	381	YBTSSFESBTR8424	379
YBTRFS63	406, 409	YBTSSFESBTL6627	377	YBTSSFESBTL7224	379	YBTSSFESBTR8427	380
YBTRFS66	406, 409	YBTSSFESBTL6630	378	YBTSSFESBTL7227	380	YBTSSFESBTR8430	381
YBTRFS69	406, 409	YBTSSFESBTL7224	376	YBTSSFESBTL7230	381	YBTSSFESBTR8424	379
YBTRFS72	406, 409	YBTSSFESBTL7227	377	YBTSSFESBTL7824	379	YBTSSFESBTR8427	380
YBTRFS75	406, 409	YBTSSFESBTL7230	378	YBTSSFESBTL7827	380	YBTSSFESBTR8430	381
YBTRFS78	406, 409	YBTSSFESBTL7824	376	YBTSSFESBTL7830	381	YBTSSFESBTR8424	379
YBTRFS81	406, 409	YBTSSFESBTL7827	377	YBTSSFESBTL8424	379	YBTSSFESBTR8427	380
YBTRFS84	406, 409	YBTSSFESBTL7830	378	YBTSSFESBTL8427	380	YBTSSFESBTR8430	381
YBTRFS87	406, 409	YBTSSFESBTL8424	376	YBTSSFESBTL8424	379	YBTSSFESBTR8424	379
YBTRFS90	406, 409	YBTSSFESBTL8427	377	YBTSSFESBTL8427	380	YBTSSFESBTR8427	380
YBTRFS93	406, 409	YBTSSFESBTL8430	378	YBTSSFESBTL8430	381	YBTSSFESBTR8424	379
YBTRFS96	406, 409	YBTSSFESBTL8424	376	YBTSSFESBTL8424	379	YBTSSFESBTR8427	380
YBTRFS99	406	YBTSSFESBTL8427	377	YBTSSFESBTL8424	379	YBTSSFESBTR8430	381
YBTSSFESBTL4824	376	YBTSSFESBTL8430	378	YBTSSFESBTL8424	379	YBTSSFESBTR8424	379

<i>pattern no.</i>	<i>page</i>	<i>pattern no.</i>	<i>page</i>	<i>pattern no.</i>	<i>page</i>	<i>pattern no.</i>	<i>page</i>
YBTSSFEXBNN6027	383	YBTSSFEXBTL6624	385	YBTSSFEXBTS6630	387	YCB47	95
YBTSSFEXBNN6030	384	YBTSSFEXBTL6627	386	YBTSSFEXBTS7224	385	YCB48	94
YBTSSFEXBNN6624	382	YBTSSFEXBTL6630	387	YBTSSFEXBTS7227	386	YCB52	95
YBTSSFEXBNN6627	383	YBTSSFEXBTL7224	385	YBTSSFEXBTS7230	387	YCB53	95
YBTSSFEXBNN6630	384	YBTSSFEXBTL7227	386	YBTSSFEXBTS7824	385	YCB54	94
YBTSSFEXBNN7224	382	YBTSSFEXBTL7230	387	YBTSSFEXBTS7827	386	YCB58	95
YBTSSFEXBNN7227	383	YBTSSFEXBTL7824	385	YBTSSFEXBTS7830	387	YCB59	95
YBTSSFEXBNN7230	384	YBTSSFEXBTL7827	386	YBTSSFEXBTS8424	385	YCB60	94
YBTSSFEXBNN7824	382	YBTSSFEXBTL7830	387	YBTSSFEXBTS8427	386	YCB64	95
YBTSSFEXBNN7827	383	YBTSSFEXBTL8424	385	YBTSSFEXBTS8430	387	YCB65	95
YBTSSFEXBNN7830	384	YBTSSFEXBTL8427	386	YBTYESBN148	398	YCB66	94
YBTSSFEXBNN8424	382	YBTSSFEXBTL8430	387	YBTYESBN154	398	YCB70	95
YBTSSFEXBNN8427	383	YBTSSFEXBTN4824	385	YBTYESBN160	398	YCB71	95
YBTSSFEXBNN8430	384	YBTSSFEXBTN4827	386	YBTYESBN248	398	YCB72	94
YBTSSFEXBNN84824	382	YBTSSFEXBTN4830	387	YBTYESBN254	398	YCB76	95
YBTSSFEXBNN84827	383	YBTSSFEXBTN5424	385	YBTYESBN260	398	YCB77	95
YBTSSFEXBNN84830	384	YBTSSFEXBTN5427	386	YBTYESBN348	399	YCB78	94
YBTSSFEXBNN84824	382	YBTSSFEXBTN5430	387	YBTYESBN354	399	YCB82	95
YBTSSFEXBNN84827	383	YBTSSFEXBTN6024	385	YBTYESBN360	399	YCB83	95
YBTSSFEXBNN84830	384	YBTSSFEXBTN6027	386	YBTYESBNN48	398	YCB84	94
YBTSSFEXBNN84824	382	YBTSSFEXBTN6030	387	YBTYESBNN54	398	YCB88	95
YBTSSFEXBNN84827	383	YBTSSFEXBTN6624	385	YBTYESBNN60	398	YCB89	95
YBTSSFEXBNN84830	384	YBTSSFEXBTN6627	386	YBTYESBT148	396	YCB90	94
YBTSSFEXBNN84824	382	YBTSSFEXBTN6630	387	YBTYESBT154	396	YCB94	95
YBTSSFEXBNN84827	383	YBTSSFEXBTN7224	385	YBTYESBT160	396	YCB95	95
YBTSSFEXBNN84830	384	YBTSSFEXBTN7227	386	YBTYESBT248	396	YCB96	94
YBTSSFEXBNN7224	382	YBTSSFEXBTN7230	387	YBTYESBT254	396	YCBCC24	94, 440
YBTSSFEXBNN7227	383	YBTSSFEXBTN7824	385	YBTYESBT260	396	YCBCC30	94, 440
YBTSSFEXBNN7230	384	YBTSSFEXBTN7827	386	YBTYESBT348	397	YCBCC36	94, 440
YBTSSFEXBNN7824	382	YBTSSFEXBTN7830	387	YBTYESBT354	397	YCBCC48	94, 440
YBTSSFEXBNN7827	383	YBTSSFEXBTN8424	385	YBTYESBT360	397	YCBCC54	94
YBTSSFEXBNN7830	384	YBTSSFEXBTN8427	386	YBTYESBTN48	396	YCBCC60	94, 440
YBTSSFEXBNN8424	382	YBTSSFEXBTN8430	387	YBTYESBTN54	396	YCBCC66	94, 440
YBTSSFEXBNN8427	383	YBTSSFEXBTR4824	385	YBTYESBTN60	396	YCBCC72	94, 440
YBTSSFEXBNN8430	384	YBTSSFEXBTR4827	386	YBTYEXBN148	402	YCBCC78	94
YBTSSFEXBNS4824	382	YBTSSFEXBTR4830	387	YBTYEXBN154	402	YCBCC84	94
YBTSSFEXBNS4827	383	YBTSSFEXBTR5424	385	YBTYEXBN160	402	YCBCC90	94
YBTSSFEXBNS4830	384	YBTSSFEXBTR5427	386	YBTYEXBN248	402	YCBCC96	94
YBTSSFEXBNS5424	382	YBTSSFEXBTR5430	387	YBTYEXBN254	402	YCBE	94
YBTSSFEXBNS5427	383	YBTSSFEXBTR6024	385	YBTYEXBN260	402	YCBPE	94
YBTSSFEXBNS5430	384	YBTSSFEXBTR6027	386	YBTYEXBN348	403	YCBT36	94
YBTSSFEXBNS6024	382	YBTSSFEXBTR6030	387	YBTYEXBN354	403	YCBT42	94
YBTSSFEXBNS6027	383	YBTSSFEXBTR6624	385	YBTYEXBN360	403	YCBT48	94
YBTSSFEXBNS6030	384	YBTSSFEXBTR6627	386	YBTYEXBNN48	402	YCBT54	94
YBTSSFEXBNS6624	382	YBTSSFEXBTR6630	387	YBTYEXBNN54	402	YCBT60	94
YBTSSFEXBNS6627	383	YBTSSFEXBTR7224	385	YBTYEXBNN60	402	YCBT66	94
YBTSSFEXBNS6630	384	YBTSSFEXBTR7227	386	YBTYEXBT148	400	YCBT72	94
YBTSSFEXBNS7224	382	YBTSSFEXBTR7230	387	YBTYEXBT154	400	YCBT78	94
YBTSSFEXBNS7227	383	YBTSSFEXBTR7824	385	YBTYEXBT160	400	YCBT84	94
YBTSSFEXBNS7230	384	YBTSSFEXBTR7827	386	YBTYEXBT248	400	YCBT90	94
YBTSSFEXBNS7824	382	YBTSSFEXBTR7830	387	YBTYEXBT254	400	YCBT96	94
YBTSSFEXBNS7827	383	YBTSSFEXBTR8424	385	YBTYEXBT260	400	YEL2A18	104
YBTSSFEXBNS7830	384	YBTSSFEXBTR8427	386	YBTYEXBT348	401	YEL2A24	104
YBTSSFEXBNS8424	382	YBTSSFEXBTR8430	387	YBTYEXBT354	401	YEL2A27	104
YBTSSFEXBNS8427	383	YBTSSFEXBTS4824	385	YBTYEXBT360	401	YEL2A30	104
YBTSSFEXBNS8430	384	YBTSSFEXBTS4827	386	YBTYEXBTN48	400	YEL2A36	104
YBTSSFEXBTL4824	385	YBTSSFEXBTS4830	387	YBTYEXBTN54	400	YEL2A42	104
YBTSSFEXBTL4827	386	YBTSSFEXBTS5424	385	YBTYEXBTN60	400	YEL2DA18	110
YBTSSFEXBTL4830	387	YBTSSFEXBTS5427	386	YCB34	95	YEL2DA24	110
YBTSSFEXBTL5424	385	YBTSSFEXBTS5430	387	YCB35	95	YEL2DA27	110
YBTSSFEXBTL5427	386	YBTSSFEXBTS6024	385	YCB36	94	YEL2DA30	110
YBTSSFEXBTL5430	387	YBTSSFEXBTS6027	386	YCB40	95	YEL2DA36	110
YBTSSFEXBTL6024	385	YBTSSFEXBTS6030	387	YCB41	95	YEL2DA38	116
YBTSSFEXBTL6027	386	YBTSSFEXBTS6624	385	YCB42	94	YEL2DA50	116
YBTSSFEXBTL6030	387	YBTSSFEXBTS6627	386	YCB46	95	YEL2DA62	116

<i>pattern no.</i>	<i>page</i>	<i>pattern no.</i>	<i>page</i>	<i>pattern no.</i>	<i>page</i>	<i>pattern no.</i>	<i>page</i>
YEL2SA18	108	YELSCD48	108	YEP1727	142	YEP4262ESR	413
YEL2SA24	108	YELSD18	108	YEP1729	142	YEP4262EX	414
YEL2SA27	108	YELSD24	108	YEP1730	142	YEP4262EXL	414
YEL2SA30	108	YELSD27	108	YEP1735	142	YEP4262EXR	414
YEL2SA36	108	YELSD30	108	YEP1736	142	YEP4265	151
YEL2SA42	108	YELSD36	108	YEP1740	145	YEP4268ES	413
YEL2SA48	108	YELSD42	108	YEP1752	145	YEP4268EX	414
YEL2SSDB22L	128	YELSD48	108	YEP1758	145	YEP4277	151
YEL2SSDB22R	128	YELSD53	113	YEP1764	145	YEP4953	151
YEL2SSDB28L	128	YELSD59	113	YEP1776	145	YEP4956ES	413
YEL2SSDB28R	128	YELSD65	113	YEP2617	143	YEP4956EX	414
YEL2SSDB34L	128	YELSSAF28L	133	YEP2618	143	YEP4959	151
YEL2SSDB34R	128	YELSSAF28R	133	YEP2623	143	YEP4962ES	413
YEL3SSAB22L	130	YELSSAF34L	133	YEP2624	143	YEP4962ESL	413
YEL3SSAB22R	130	YELSSAF34R	133	YEP2626	143	YEP4962ESR	413
YEL3SSAB28L	130	YELSSAF40L	133	YEP2627	143	YEP4962EX	414
YEL3SSAB28R	130	YELSSAF40R	133	YEP2629	143	YEP4962EXL	414
YEL3SSAB34L	130	YELSSDF28L	131	YEP2630	143	YEP4962EXR	414
YEL3SSAB34R	130	YELSSDF28R	131	YEP2635	143	YEP4965	151
YELCD18	104	YELSSDF34L	131	YEP2636	143	YEP4968ES	413
YELCD24	104	YELSSDF34R	131	YEP2640	145	YEP4968EX	414
YELCD27	104	YELSSDF40L	131	YEP2652	145	YEP4977	151
YELCD30	104	YELSSDF40R	131	YEP2658	145	YEP5653	151
YELCD36	104	YELSSDB30L	128	YEP2664	145	YEP5659	151
YELCM18	104	YELSSDB30R	128	YEP2676	145	YEP5665	151
YELCM24	104	YELSSDB33L	128	YEP2717	143	YEPH3641	149
YELCM27	104	YELSSDB33R	128	YEP2718	143	YEPH3653	149
YELCM30	104	YELSSDB36L	128	YEP2723	143	YEPH3659	149
YELCM36	104	YELSSDB36R	128	YEP2724	143	YEPH3665	149
YELD18	104	YELSSDF36L	131	YEP2726	143	YEPSSF2831L	148
YELD24	104	YELSSDF36R	131	YEP2727	143	YEPSSF2831R	148
YELD27	104	YELSSDF39L	131	YEP2729	143	YEPSSF2837L	148
YELD30	104	YELSSDF39R	131	YEP2730	143	YEPSSF2837R	148
YELD36	104	YELSSDF42L	131	YEP2735	143	YEPSSF2840L	148
YELD42	104	YELSSDF42R	131	YEP2736	143	YEPSSF2840R	148
YELDD18	110	YELWDD53	113	YEP2841	147	YEPSSF2843L	148
YELDD24	110	YELWDD59	113	YEP2853	147	YEPSSF2843R	148
YELDD27	110	YELWDD65	113	YEP2856ES	413	YEPSSF2849L	148
YELDD30	110	YELWSSDB30L	129	YEP2856EX	414	YEPSSF2849R	148
YELDD36	110	YELWSSDB30R	129	YEP2859	147	YEPT4253	149
YELDD38	113	YELWSSDB33L	129	YEP2862ES	413	YEPT4259	149
YELDD50	113	YELWSSDB33R	129	YEP2862ESL	413	YEPT4265	149
YELDD62	113	YELWSSDB36L	129	YEP2862ESR	413	YEPTSSFES2824L	415
YELDH38	120	YELWSSDB36R	129	YEP2862EX	414	YEPTSSFES2824R	416
YELDH50	120	YELWSSDF36L	132	YEP2862EXL	414	YEPTSSFES2827L	415
YELDH50B	121	YELWSSDF36R	132	YEP2862EXR	414	YEPTSSFES2827R	416
YELDHB	121	YELWSSDF39L	132	YEP2865	147	YEPTSSFES2830L	415
YELDT50	124	YELWSSDF39R	132	YEP2868ES	413	YEPTSSFES2830R	416
YELDT50B	125	YELWSSDF42L	132	YEP2868EX	414	YEPTSSFES4224L	415
YELDTB	125	YELWSSDF42R	132	YEP2877	147	YEPTSSFES4224R	416
YELDW	106	YEP1617	142	YEP2SSB2825L	148	YEPTSSFES4227L	415
YELH24	104	YEP1618	142	YEP2SSB2825R	148	YEPTSSFES4227R	416
YELH27	104	YEP1623	142	YEP2SSB2831L	148	YEPTSSFES4230L	415
YELH30	104	YEP1624	142	YEP2SSB2831R	148	YEPTSSFES4230R	416
YELH36	104	YEP1626	142	YEP2SSB2834L	148	YEPTSSFES4924L	415
YELH42	104	YEP1627	142	YEP2SSB2834R	148	YEPTSSFES4924R	416
YELP24	105	YEP1629	142	YEP2SSB2837L	148	YEPTSSFES4927L	415
YELP27	105	YEP1630	142	YEP2SSB2837R	148	YEPTSSFES4927R	416
YELP30	105	YEP1635	142	YEP2SSB2843	148	YEPTSSFES4930L	415
YELP36	105	YEP1636	142	YEP4253	151	YEPTSSFES4930R	416
YELSCD24	108	YEP1717	142	YEP4256ES	413	YEPTSSFEX2824L	417
YELSCD27	108	YEP1718	142	YEP4256EX	414	YEPTSSFEX2824R	418
YELSCD30	108	YEP1723	142	YEP4259	151	YEPTSSFEX2827L	417
YELSCD36	108	YEP1724	142	YEP4262ES	413	YEPTSSFEX2827R	418
YELSCD42	108	YEP1726	142	YEP4262ESL	413	YEPTSSFEX2830L	417

<i>pattern no.</i>	<i>page</i>	<i>pattern no.</i>	<i>page</i>	<i>pattern no.</i>	<i>page</i>	<i>pattern no.</i>	<i>page</i>
YEPTSSFEX2830R	418	YFC1736V	193	YHP1AP3008	462	YHP1KUB30	475, 477
YEPTSSFEX4224L	417	YFC1748L	192	YHP1AP3608	462	YHP1KUB36	475, 477
YEPTSSFEX4224R	418	YFC1748P	191	YHP1AP4808	462	YHP1KUB48	475, 477
YEPTSSFEX4227L	417	YFC1748V	193	YHP1AS24	460	YHP1M25	439
YEPTSSFEX4227R	418	YFC1760L	192	YHP1AS30	460	YHP1M28	439
YEPTSSFEX4230L	417	YFC1760P	191	YHP1AS36	460	YHP1OF	454
YEPTSSFEX4230R	418	YFC1772L	192	YHP1B36	440	YHP1SAK28	445
YEPTSSFEX4924L	417	YFC1772P	191	YHP1B48	440	YHP1SDK4825	467
YEPTSSFEX4924R	418	YFC2324NL	196	YHP1B60	440	YHP1SDK4828	472
YEPTSSFEX4927L	417	YFC2324NP	195	YHP1B66	440	YHP1SDK6025	467
YEPTSSFEX4927R	418	YFC2324NV	197	YHP1B72	440	YHP1SDK6028	472
YEPTSSFEX4930L	417	YFC2336NL	196	YHP1BAK	445	YHP1SDK6625	467
YEPTSSFEX4930R	418	YFC2336NP	195	YHP1BC	455	YHP1SDK6628	472
YFC0912C	186	YFC2336NV	197	YHP1C362P	442	YHP1SDK7225	467
YFC0912L	188	YFC2348NL	196	YHP1C36N	442	YHP1SDK7228	472
YFC0912P	187	YFC2348NP	195	YHP1C484P	442	YHP1SDKL4825	468
YFC0912S	186	YFC2348NV	197	YHP1C48N	442	YHP1SDKL4828	473
YFC0912V	189	YFC2360NL	196	YHP1C602P	442	YHP1SDKL6025	468
YFC0924C	186	YFC2360NP	195	YHP1C604P	442	YHP1SDKL6028	473
YFC0924L	188	YFC2372NL	196	YHP1C60N	442	YHP1SDKL6625	468
YFC0924P	187	YFC2372NP	195	YHP1C662P	442	YHP1SDKL6628	473
YFC0924S	186	YFC2624NL	196	YHP1C664P	442	YHP1SDKL7225	468
YFC0924V	189	YFC2624NP	195	YHP1C66N	442	YHP1SDKL7228	473
YFC0936C	186	YFC2624NV	197	YHP1C722P	442	YHP1SDKR4825	469
YFC0936L	188	YFC2636NL	196	YHP1C724P	442	YHP1SDKR4828	474
YFC0936P	187	YFC2636NP	195	YHP1C72N	442	YHP1SDKR6025	469
YFC0936S	186	YFC2636NV	197	YHP1CMB	454	YHP1SDKR6028	474
YFC0936V	189	YFC2648NL	196	YHP1DAK28	445	YHP1SDKR6625	469
YFC0948C	186	YFC2648NP	195	YHP1F	479	YHP1SDKR6628	474
YFC0948L	188	YFC2648NV	197	YHP1HEK160	451	YHP1SDKR7225	469
YFC0948P	187	YFC2660NL	196	YHP1HEK166	451	YHP1SDKR7228	474
YFC0948S	186	YFC2660NP	195	YHP1HEK172	451	YHP1SKA	475
YFC0948V	189	YFC2672NL	196	YHP1HEK260	451	YHP1SKM	475
YFC0960C	186	YFC2672NP	195	YHP1HEK266	451	YHP1SMS2425	477
YFC0960L	188	YFCC48	178	YHP1HEK272	451	YHP1SMS2428	477
YFC0960P	187	YFCC60	178	YHP1HTK160	451	YHP1SMS3025	477
YFC0960S	186	YFCC72	178	YHP1HTK166	451	YHP1SMS3028	477
YFC0972C	186	YFCHOC	186	YHP1HTK172	451	YHP1SMS3625	477
YFC0972L	188	YFCOC	186	YHP1HTK260	451	YHP1SMS3628	477
YFC0972P	187	YFF2148	176	YHP1HTK266	451	YHP1SMS4825	477
YFC0972S	186	YFF2160	176	YHP1HTK272	451	YHP1SMS4828	477
YFC1412L	192	YFF2172	176	YHP1K2425NC	436	YHP1SOE2425	465
YFC1412P	191	YFJE25	178	YHP1K2425P1C	436	YHP1SOE2428	470
YFC1412V	193	YFJE28	178	YHP1K2425P2C	436	YHP1SOE3025	465
YFC1424L	192	YFJL25	179	YHP1K2428NC	437	YHP1SOE3028	470
YFC1424P	191	YFJL28	179	YHP1K2428P1C	437	YHP1SOE3625	465
YFC1424V	193	YFJT25	179	YHP1K2428P2C	437	YHP1SOE3628	470
YFC1436L	192	YFJT28	179	YHP1K3025NC	436	YHP1SOE4825	465
YFC1436P	191	YFJV25	179	YHP1K3025P1C	436	YHP1SOE4828	470
YFC1436V	193	YFJV28	179	YHP1K3025P2C	436	YHP1SOE6025	465
YFC1448L	192	YFJX25	179	YHP1K3028NC	437	YHP1SOE6028	470
YFC1448P	191	YFJX28	179	YHP1K3028P1C	437	YHP1SOE6625	465
YFC1448V	193	YFJY25	179	YHP1K3028P2C	437	YHP1SOE6628	470
YFC1460L	192	YFJY28	179	YHP1K3625NC	436	YHP1SOE7225	465
YFC1460P	191	YFL25	176	YHP1K3625P1C	436	YHP1SOE7228	470
YFC1472L	192	YFL28	176	YHP1K3625P2C	436	YHP1SOEL4825	466
YFC1472P	191	YFLSF	176	YHP1K3628NC	437	YHP1SOEL4828	471
YFC1712L	192	YFTC48	178	YHP1K3628P1C	437	YHP1SOEL6025	466
YFC1712P	191	YFTC60	178	YHP1K3628P2C	437	YHP1SOEL6028	471
YFC1712V	193	YFTC72	178	YHP1K4825NC	436	YHP1SOEL6625	466
YFC1724L	192	YHP1A25C	439	YHP1K4825P1C	436	YHP1SOEL6628	471
YFC1724P	191	YHP1A25G	439	YHP1K4825P2C	436	YHP1SOEL7225	466
YFC1724V	193	YHP1A28C	439	YHP1K4828NC	437	YHP1SOEL7228	471
YFC1736L	192	YHP1A28G	439	YHP1K4828P1C	437	YHP1SOER4825	466
YFC1736P	191	YHP1AP2408	462	YHP1K4828P2C	437	YHP1SOER4828	471

<i>pattern no.</i>	<i>page</i>	<i>pattern no.</i>	<i>page</i>	<i>pattern no.</i>	<i>page</i>	<i>pattern no.</i>	<i>page</i>
YHP1SOER6025	466	YHP2C362H	442	YKPTS7236D	36	YKTS4242SDHN	350
YHP1SOER6028	471	YHP2C484H	442	YKPTS8442D	36	YKTS4242SDLN	350
YHP1SOER6625	466	YHP2C602H	442	YKTB7236YESG	410	YKTS4818SDCN	345
YHP1SOER6628	471	YHP2C604H	442	YKTB8442YESG	410	YKTS4818SDHN	345
YHP1SOER7225	466	YHP2C662H	442	YKTCG	431	YKTS4818SDLN	345
YHP1SOER7228	471	YHP2C664H	442	YKTR36SDCN	351	YKTS4824D	34
YHP1SOS2425	465	YHP2C722H	442	YKTR36SDHN	351	YKTS4824DG	35
YHP1SOS2428	470	YHP2C724H	442	YKTR36SDLN	351	YKTS4824SDCN	346
YHP1SOS3025	465	YHP2HOK1	452	YKTR36YDG	39	YKTS4824SDHN	346
YHP1SOS3028	470	YHP2HOK148	452	YKTR36YHG	39	YKTS4824SDLN	346
YHP1SOS3625	465	YHP2HOK2	452	YKTR36YMG	39	YKTS4827SDCN	347
YHP1SOS3628	470	YHP2HOK248	452	YKTR42D	34	YKTS4827SDHN	347
YHP1SOS4825	465	YIL2DA1	117	YKTR42DG	35	YKTS4827SDLN	347
YHP1SOS4828	470	YIL2DA24	116	YKTR42L	34	YKTS4830SDCN	348
YHP1SOS6025	465	YIL2DA35	116	YKTR42LG	35	YKTS4830SDHN	348
YHP1SOS6028	470	YIL2DA38	116	YKTR42M	34	YKTS4830SDLN	348
YHP1SOS6625	465	YIL2DA48	116	YKTR42MG	35	YKTS4836SDCN	349
YHP1SOS6628	470	YIL2DA50	116	YKTR42SDCN	351	YKTS4836SDHN	349
YHP1SOS7225	465	YIL2DA62	116	YKTR42SDHN	351	YKTS4836SDLN	349
YHP1SOS7228	470	YIL2SSDB20	129	YKTR42SDLN	351	YKTS4848D	34
YHP1SSD4825	467	YIL2SSDB22	129	YKTR42YDG	39	YKTS4848DG	35
YHP1SSD4828	472	YIL2SSDB26	129	YKTR42YMG	39	YKTS5418SDCN	345
YHP1SSD6025	467	YIL2SSDB28	129	YKTR48D	34	YKTS5418SDHN	345
YHP1SSD6028	472	YIL2SSDB34	129	YKTR48DG	35	YKTS5418SDLN	345
YHP1SSD6625	467	YIL3SSAB20	130	YKTS3030D	34	YKTS5424SDCN	346
YHP1SSD6628	472	YIL3SSAB22	130	YKTS3030DG	35	YKTS5424SDHN	346
YHP1SSD7225	467	YIL3SSAB26	130	YKTS3030L	34	YKTS5424SDLN	346
YHP1SSD7228	472	YIL3SSAB28	130	YKTS3030LG	35	YKTS5427D	34
YHP1SSDL4825	468	YIL3SSAB34	130	YKTS3030M	34	YKTS5427DG	35
YHP1SSDL4828	473	YILDD1	115	YKTS3030MG	35	YKTS5427SDCN	347
YHP1SSDL6025	468	YILDD24	114	YKTS3618SDCN	345	YKTS5427SDHN	347
YHP1SSDL6028	473	YILDD35	114	YKTS3618SDHN	345	YKTS5427SDLN	347
YHP1SSDL6625	468	YILDD38	114	YKTS3618SDLN	345	YKTS5430SDCN	348
YHP1SSDL6628	473	YILDD48	114	YKTS3624SDCN	346	YKTS5430SDHN	348
YHP1SSDL7225	468	YILDD50	114	YKTS3624SDHN	346	YKTS5430SDLN	348
YHP1SSDL7228	473	YILDD62	114	YKTS3624SDLN	346	YKTS5436SDCN	349
YHP1SSDR4825	469	YILDH35	120	YKTS3627SDCN	347	YKTS5436SDHN	349
YHP1SSDR4828	474	YILDH38	120	YKTS3627SDHN	347	YKTS5436SDLN	349
YHP1SSDR6025	469	YILDH50	120	YKTS3627SDLN	347	YKTS6018SDCN	345
YHP1SSDR6028	474	YILDHB	120	YKTS3630SDCN	348	YKTS6018SDHN	345
YHP1SSDR6625	469	YILD35	124	YKTS3630SDHN	348	YKTS6018SDLN	345
YHP1SSDR6628	474	YILD35	124	YKTS3630SDLN	348	YKTS6024SDCN	346
YHP1SSDR7225	469	YILSSAF26	133	YKTS3636D	34	YKTS6024SDHN	346
YHP1SSDR7228	474	YILSSAF28	133	YKTS3636DG	35	YKTS6024SDLN	346
YHP1SWS2425	465	YILSSAF32	133	YKTS3636SDCN	349, 350	YKTS6027SDCN	347
YHP1SWS2428	470	YILSSAF34	133	YKTS3636SDHN	349, 350	YKTS6027SDHN	347
YHP1SWS3025	465	YILSSAF40	133	YKTS3636SDLN	349, 350	YKTS6027SDLN	347
YHP1SWS3028	470	YILSSDF26	132	YKTS4218SDCN	345	YKTS6027YESG	410
YHP1SWS3625	465	YILSSDF28	132	YKTS4218SDHN	345	YKTS6030D	34
YHP1SWS3628	470	YILSSDF32	132	YKTS4218SDLN	345	YKTS6030DG	35
YHP1SWS4825	465	YILSSDF34	132	YKTS4224SDCN	346	YKTS6030SDCN	348
YHP1SWS4828	470	YILSSDF40	132	YKTS4224SDHN	346	YKTS6030SDHN	348
YHP1SWS6025	465	YKLB	359	YKTS4224SDLN	346	YKTS6030SDLN	348
YHP1SWS6028	470	YKME4DA	41	YKTS4227SDCN	347	YKTS6030YESG	410
YHP1SWS6625	465	YKME7854HE	41	YKTS4227SDHN	347	YKTS6036SDCN	349
YHP1SWS6628	470	YKME7854NE	41	YKTS4227SDLN	347	YKTS6036SDHN	349
YHP1SWS7225	465	YKPTS3030D	36	YKTS4230SDCN	348	YKTS6036SDLN	349
YHP1SWS7228	470	YKPTS3030L	36	YKTS4230SDHN	348	YKTS6618SDCN	345
YHP1UP3612	462	YKPTS3030M	36	YKTS4230SDLN	348	YKTS6618SDHN	345
YHP1UP4812	462	YKPTS3636D	36	YKTS4236SDCN	349	YKTS6618SDLN	345
YHP1UP6012	462	YKPTS4242D	36	YKTS4236SDHN	349	YKTS6624SDCN	346
YHP1UP6612	462	YKPTS4824D	36	YKTS4236SDLN	349	YKTS6624SDHN	346
YHP1UP7212	462	YKPTS4848D	36	YKTS4242D	34	YKTS6624SDLN	346
YHP1VWM18	455	YKPTS5427D	36	YKTS4242DG	35	YKTS6627SDCN	347
YHP1VWM21	455	YKPTS6030D	36	YKTS4242SDCN	350	YKTS6627SDHN	347



<i>pattern no.</i>	<i>page</i>	<i>pattern no.</i>	<i>page</i>	<i>pattern no.</i>	<i>page</i>	<i>pattern no.</i>	<i>page</i>
YKTS6627SDLN	347	YKTS8442YDG	39	YMPT1660	354	YP6027	65
YKTS6627YESG	410	YKTS8442YESG	410	YMPT1666	354	YP6030	65
YKTS6630SDCN	348	YKTS8442YHG	39	YMPT1672	354	YP6036	66
YKTS6630SDHN	348	YKTT6030YESG	410	YMPT1678	354	YP6048	66
YKTS6630SDLN	348	YKTT6630YESG	410	YMPT1684	354	YP6618	64
YKTS6630YESG	410	YKTT7230YESG	410	YMPT1736	354	YP6624	64
YKTS6636SDCN	349	YKTT7236D	34	YMPT1742	354	YP6627	65
YKTS6636SDHN	349	YKTT7236DGC	35	YMPT1748	354	YP6630	65
YKTS6636SDLN	349	YKTT7236SDCN	352	YMPT1754	354	YP6636	66
YKTS7218SDCN	345	YKTT7236SDHN	352	YMPT1760	354	YP6648	66
YKTS7218SDHN	345	YKTT7236SDLN	352	YMPT1766	354	YP7218	64
YKTS7218SDLN	345	YKTT7236YDG	39	YMPT1772	354	YP7224	64
YKTS7224SDCN	346	YKTT7236YESG	410	YMPT1778	354	YP7227	65
YKTS7224SDHN	346	YKTT7236YHG	39	YMPT1784	354	YP7230	65
YKTS7224SDLN	346	YKTT8442D	34	YMPT2636	355	YP7236	66
YKTS7227SDCN	347	YKTT8442DGC	35	YMPT2642	355	YP7248	66
YKTS7227SDHN	347	YKTT8442YDG	39	YMPT2648	355	YP7818	64
YKTS7227SDLN	347	YKTT8442YESG	410	YMPT2654	355	YP7824	64
YKTS7227YESG	410	YKTT8442YHG	39	YMPT2660	355	YP7827	65
YKTS7227YESRC	410	YKTT9648D	34	YMPT2666	355	YP7830	65
YKTS7230SDCN	348	YKTT9648DGC	35	YMPT2672	355	YP7836	66
YKTS7230SDHN	348	YL4L17	296	YMPT2678	355	YP7848	66
YKTS7230SDLN	348	YL4L31	296	YMPT2684	355	YP8418	64
YKTS7230YESG	410	YL4L44	296	YMPT2736	355	YP8424	64
YKTS7230YESRC	410	YL4L58	296	YMPT2742	355	YP8427	65
YKTS7236D	34	YMP1636	135	YMPT2748	355	YP8430	65
YKTS7236DGC	35	YMP1642	135	YMPT2754	355	YP8436	66
YKTS7236SDCN	349	YMP1648	135	YMPT2760	355	YP8442	66
YKTS7236SDHN	349	YMP1654	135	YMPT2766	355	YP8448	66
YKTS7236SDLN	349	YMP1660	135	YMPT2772	355	YP9018	64
YKTS7236YDG	39	YMP1666	135	YMPT2778	355	YP9024	64
YKTS7236YESG	410	YMP1672	135	YMPT2784	355	YP9027	65
YKTS7236YHG	39	YMP1678	135	YP3018	64	YP9030	65
YKTS7818SDCN	345	YMP1684	135	YP3024	64	YP9036	66
YKTS7818SDHN	345	YMP1736	135	YP3027	65	YP9048	66
YKTS7818SDLN	345	YMP1742	135	YP3030	65	YP9618	64
YKTS7824SDCN	346	YMP1748	135	YP3036	66	YP9624	64
YKTS7824SDHN	346	YMP1754	135	YP3048	66	YP9627	65
YKTS7824SDLN	346	YMP1760	135	YP3618	64	YP9630	65
YKTS7827SDCN	347	YMP1766	135	YP3624	64	YP9636	66
YKTS7827SDHN	347	YMP1772	135	YP3627	65	YP9648	66
YKTS7827SDLN	347	YMP1778	135	YP3630	65	YPB3018	67
YKTS7830SDCN	348	YMP1784	135	YP3636	66	YPB3024	67
YKTS7830SDHN	348	YMP2636	136	YP3648	66	YPB3027	67
YKTS7830SDLN	348	YMP2642	136	YP4218	64	YPB3030	68
YKTS7836SDCN	349	YMP2648	136	YP4224	64	YPB3036	68
YKTS7836SDHN	349	YMP2654	136	YP4227	65	YPB3618	67
YKTS7836SDLN	349	YMP2660	136	YP4230	65	YPB3624	67
YKTS8418SDCN	345	YMP2666	136	YP4236	66	YPB3627	67
YKTS8418SDHN	345	YMP2672	136	YP4242	66	YPB3630	68
YKTS8418SDLN	345	YMP2678	136	YP4248	66	YPB3636	68
YKTS8424SDCN	346	YMP2684	136	YP4818	64	YPB4218	67
YKTS8424SDHN	346	YMP2736	136	YP4824	64	YPB4224	67
YKTS8424SDLN	346	YMP2742	136	YP4827	65	YPB4227	67
YKTS8427SDCN	347	YMP2748	136	YP4830	65	YPB4230	68
YKTS8427SDHN	347	YMP2754	136	YP4836	66	YPB4236	68
YKTS8427SDLN	347	YMP2760	136	YP4848	66	YPB4818	67
YKTS8430SDCN	348	YMP2766	136	YP5418	64	YPB4824	67
YKTS8430SDHN	348	YMP2772	136	YP5424	64	YPB4827	67
YKTS8430SDLN	348	YMP2778	136	YP5427	65	YPB4830	68
YKTS8436SDCN	349	YMP2784	136	YP5430	65	YPB4836	68
YKTS8436SDHN	349	YMPT1636	354	YP5436	66	YPB5418	67
YKTS8436SDLN	349	YMPT1642	354	YP5448	66	YPB5424	67
YKTS8442D	34	YMPT1648	354	YP6018	64	YPB5427	67
YKTS8442DGC	35	YMPT1654	354	YP6024	64	YPB5430	68

<i>pattern no.</i>	<i>page</i>	<i>pattern no.</i>	<i>page</i>	<i>pattern no.</i>	<i>page</i>	<i>pattern no.</i>	<i>page</i>
YPB5436	68	YPH6018	69	YPSB2636	202	YPSB3836F	200
YPB6018	67	YPH6024	69	YPSB2636F	200	YPSB3841	215
YPB6024	67	YPH6027	69	YPSB2642	202	YPSB3841F	214
YPB6027	67	YPH6030	70	YPSB2642F	200	YPSB3842	202
YPB6030	68	YPH6036	70	YPSB2647	420	YPSB3842F	200
YPB6036	68	YPH6618	69	YPSB2647F	419	YPSB3848	202
YPB6618	67	YPH6624	69	YPSB2648	202	YPSB3848F	200
YPB6624	67	YPH6627	69	YPSB2648F	200	YPSB3853	215
YPB6627	67	YPH6630	70	YPSB2653	420	YPSB3853F	214
YPB6630	68	YPH6636	70	YPSB2653F	419	YPSB3854	202
YPB6636	68	YPH7218	69	YPSB2654	202	YPSB3854F	200
YPB7218	67	YPH7224	69	YPSB2654F	200	YPSB3859	215
YPB7224	67	YPH7227	69	YPSB2659	420	YPSB3859F	214
YPB7227	67	YPH7230	70	YPSB2659F	419	YPSB3860	202
YPB7230	68	YPH7236	70	YPSB2660	202	YPSB3860F	200
YPB7236	68	YPH7818	69	YPSB2660F	200	YPSB3865	215
YPB7818	67	YPH7824	69	YPSB2665	420	YPSB3865FRR	214
YPB7824	67	YPH7827	69	YPSB2665FRR	419	YPSB3866	202
YPB7827	67	YPH7830	70	YPSB2666	202	YPSB3866FRR	200
YPB7830	68	YPH7836	70	YPSB2666FRR	200	YPSB3872	202
YPB7836	68	YPH8418	69	YPSB2671	420	YPSB3872FRR	200
YPB8418	67	YPH8424	69	YPSB2671FRR	419	YPSB3877	215
YPB8424	67	YPH8427	69	YPSB2672	202	YPSB3877FRR	214
YPB8427	67	YPH8430	70	YPSB2672FRR	200	YPSC1424	205
YPB8430	68	YPH8436	70	YPSB2677	420	YPSC1424F	204
YPB8436	68	YPSB2024	201	YPSB2677FRR	419	YPSC1430	205, 458
YPB9018	67	YPSB2024F	199	YPSB2683	420	YPSC1430F	204, 457
YPB9024	67	YPSB2027	201	YPSB2683FRR	419	YPSC1436	205, 458
YPB9027	67	YPSB2027F	199	YPSB3224	201	YPSC1436F	204, 457
YPB9030	68	YPSB2030	201	YPSB3224F	199	YPSC1442	205
YPB9036	68	YPSB2030F	199	YPSB3227	201	YPSC1442F	204
YPB9618	67	YPSB2036	201	YPSB3227F	199	YPSC1448	205, 458
YPB9624	67	YPSB2036F	199	YPSB3230	201	YPSC1448F	204, 457
YPB9627	67	YPSB2042	201	YPSB3230F	199	YPSC1454	205
YPB9630	68	YPSB2042F	199	YPSB3236	201	YPSC1454F	204
YPB9636	68	YPSB2047	420	YPSB3236F	199	YPSC1460	205, 458
YPE1524	71	YPSB2047F	419	YPSB3241	215	YPSC1460F	204, 457
YPE1527	71	YPSB2048	201	YPSB3241F	214	YPSC1466	205, 458
YPE1530	71	YPSB2048F	199	YPSB3242	201	YPSC1466FRR	204, 457
YPE1536	71	YPSB2053	420	YPSB3242F	199	YPSC1472	205, 458
YPE1539	71	YPSB2053F	419	YPSB3248	201	YPSC1472FRR	204, 457
YPE1541	71	YPSB2054	201	YPSB3248F	199	YPSC2124	205
YPE1552	71	YPSB2054F	199	YPSB3253	215	YPSC2124F	204
YPE1553	71	YPSB2059	420	YPSB3253F	214	YPSC2130	205, 458
YPE1558	71	YPSB2059F	419	YPSB3254	201	YPSC2130F	204, 457
YPE1559	71	YPSB2060	201	YPSB3254F	199	YPSC2136	205, 458
YPE1564	71	YPSB2060F	199	YPSB3259	215	YPSC2136F	204, 457
YPE1565	71	YPSB2065	420	YPSB3259F	214	YPSC2142	205
YPE1576	71	YPSB2065FRR	419	YPSB3260	201	YPSC2142F	204
YPE1577	71	YPSB2066	201	YPSB3260F	199	YPSC2148	205, 458
YPE1841	71	YPSB2066FRR	199	YPSB3265	215	YPSC2148F	204, 457
YPE1853	71	YPSB2071	420	YPSB3265FRR	214	YPSC2154	205
YPE1859	71	YPSB2071FRR	419	YPSB3266	201	YPSC2154F	204
YPE1865	71	YPSB2072	201	YPSB3266FRR	199	YPSC2160	205, 458
YPE1877	71	YPSB2072FRR	199	YPSB3272	201	YPSC2160F	204, 457
YPH4818	69	YPSB2077	420	YPSB3272FRR	199	YPSC2166	205, 458
YPH4824	69	YPSB2077FRR	419	YPSB3277	215	YPSC2166FRR	204, 457
YPH4827	69	YPSB2083	420	YPSB3277FRR	214	YPSC2172	205, 458
YPH4830	70	YPSB2083FRR	419	YPSB3824	202	YPSC2172FRR	204, 457
YPH4836	70	YPSB2624	202	YPSB3824F	200	YPSC2248	423
YPH5418	69	YPSB2624F	200	YPSB3827	202	YPSC2248F	421
YPH5424	69	YPSB2627	202	YPSB3827F	200	YPSC2254	423
YPH5427	69	YPSB2627F	200	YPSB3830	202	YPSC2254F	421
YPH5430	70	YPSB2630	202	YPSB3830F	200	YPSC2260	423
YPH5436	70	YPSB2630F	200	YPSB3836	202	YPSC2260F	421



<i>pattern no.</i>	<i>page</i>	<i>pattern no.</i>	<i>page</i>	<i>pattern no.</i>	<i>page</i>	<i>pattern no.</i>	<i>page</i>
YR1TJ18	162, 184, 428, 451	YR1XDBC	182, 453	YRPHT24	158, 425, 451	YSFC2D05636	287
YR1TJ24	162, 184, 428, 451	YR1XDC	182, 453	YRPHX12	158, 425	YSFC4D5636	285
YR1TJ30	162, 428	YR1XDCC	182, 453	YRPHX24	158, 425, 451	YSFCBF2536	282
YR1TJ36	162, 184, 428	YR1XDPI	159, 182, 426, 454	YRPM361	164	YSFCDASK27	278
YR1TJ42	162, 428	YR1XDX	182, 453	YRPM362	164	YSFCDASK30	278
YR1TJ48	162, 184, 428, 451	YR1DXC	182, 453	YRPMK	164	YSFCDASK36	278
YR1TJ54	162, 428, 451	YR1DXO	182, 453	YSAD21	238	YSFCDE4927	277
YR1TJ60	162, 184, 428, 451	YR1DXT	182, 453	YSAD21NET	238	YSFCDE4930	277
YR1TJ66	162, 428	YR1XDY	182, 453	YSAD27	238	YSFCDE4936	277
YR1TJ7	162, 428	YR1XDYC	182, 453	YSAD27NET	238	YSFCDEL4924	274
YR1TJ72	162, 184, 428, 451	YR1XDYO	182, 453	YSAD30	238	YSFCDER4924	275
YR1TJ84	184, 451	YR1XDYT	182, 453	YSADPADG	238	YSFCDL4924	274
YR1TJ96	184, 451	YR1XDZ	182, 453	YSADPADN	238	YSFCDL4927	274
YR1TOM	182	YR1XDZC	182, 453	YSCH	278	YSFCDL4930	274
YR1TPIC12	309, 427	YR1XDZO	183, 453	YSCS1212	270	YSFCDL4936	274
YR1TPIC20	309, 427	YR1XDZT	183, 453	YSCS2412	270	YSFCO4924	277
YR1TPNY	159, 182, 426, 454	YR1XJ108	184	YSCSD1212	270	YSFCO4927	277
YR1TPS24	429	YR1XJ12	162	YSCSD2412	270	YSFCO4930	277
YR1TTC48	430	YR1XJ18	162, 184	YSDPAD	234	YSFCO4936	277
YR1TTC54	430	YR1XJ24	162, 184	YSDXFB18	252	YSFCDR4924	275
YR1TTC60	430	YR1XJ30	162	YSDXFB24	252	YSFCDR4927	275
YR1TTC66	430	YR1XJ36	162, 184	YSDXFB27	252	YSFCDR4930	275
YR1TTC72	430	YR1XJ42	162	YSDXFB30	252	YSFCDR4936	275
YR1TTC78	430	YR1XJ48	162, 184	YSDXFB36	252	YSFCFF2836	282
YR1TTC84	430	YR1XJ54	162	YSDXFB53	252	YSFCO2D5636	287
YR1TTCA48	430	YR1XJ60	162, 184	YSDXFB59	252	YSFCOF2536	283
YR1TTCA54	430	YR1XJ66	162	YSDXFB65	252	YSFCOF2836	283
YR1TTCA60	430	YR1XJ7	162	YSDXFB77	252	YSFCOFF4236	282
YR1TTCA66	430	YR1XJ72	162, 184	YSDXOS1815	247	YSFCOFF4936	282
YR1TTCA72	430	YR1XJ84	184	YSDXOS2415	247	YSFCOFF5636	282
YR1TTCA78	430	YR1XJ96	184	YSDXOS2715	247	YSFCOFF6736	282
YR1TTCA84	430	YR1XOM	182	YSDXOS3015	247	YSFCOS2536	289
YR1TTCF48	430	YR1XPIC12	309, 427	YSDXOS3615	247	YSFCOS2836	289
YR1TTCF54	430	YR1XPIC20	309, 427	YSDXOS5315	250	YSFCOS4236	289
YR1TTCF60	430	YR1XPNY	159, 182, 426, 454	YSDXOS5915	250	YSFCOS4936	289
YR1TVWMNY	159	YR1XUSBA	183, 453	YSDXOS6515	250	YSFCOS5636	289
YR1TWCS	432	YR1XUSBB	183, 453	YSDXOS7715	250	YSFCOS02536	289
YR1TYVWM	429	YR1XUSBC	183, 453	YSDXSS2415	247	YSFCOS02836	289
YR1TYWCS	432	YR1XUSBX	183, 453	YSDXSS2715	247	YSFCWD6736	280
YR1TZES	429	YR1XUSBY	183, 453	YSDXSS3015	247	YSFCWL4924	280
YR1TZEX	429	YR1XUSBZ	183, 453	YSDXSS3615	247	YSFCWL6718	280
YR1USBA	161	YR1XVWMNY	159	YSDXSS5315	250	YSFCWR4924	280
YR1USBB	161	YR2DM3	166	YSDXSS5915	250	YSFCWR6718	280
YR1USBC	161	YR2DM4	166	YSDXSS6515	250	YSFFF18L	227
YR1USBX	161	YR2DM5	166	YSDXSS7715	250	YSFFF18N	227
YR1USBY	161	YR2DOC32U108(B/W)	166	YSDXUP	87, 247	YSFFF18R	227
YR1USBZ	161	YR2DOC32U120(B/W)	166	YSFA	91, 227, 231	YSFFF24L	227
YR1VWM313	429	YR2DOC32U72(B/W)	166	YSFB18	227	YSFFF24N	227
YR1VWM318	429	YR2DOC32UH(B/W)	166	YSFB24	227	YSFFF24R	227
YR1VWM323	172	YR2DOC422108(B/W)	166	YSFBBF18L	227	YSFFF30L	227
YR1VWM330	172	YR2DOC422120(B/W)	166	YSFBBF18N	227	YSFFF30N	227
YR1VWM336	172	YR2DOC42272(B/W)	166	YSFBBF18R	227	YSFFF30R	227
YR1XD1	182	YR2DOC422H(B/W)	166	YSFBBF24L	227	YSFSB	222
YR1XD1C	182	YR2DOC53U1108(B/W)	166	YSFBBF24N	227	YSFSL423612	222
YR1XD2	182	YR2DOC53U1120(B/W)	166	YSFBBF24R	227	YSFSL423618	222
YR1XD2C	182	YR2DOC53U172(B/W)	166	YSFBBF30L	227	YSFSL424812	222
YR1XD3	182	YR2DOC53U1H(B/W)	166	YSFBBF30N	227	YSFSL424818	222
YR1XD3C	182	YRCE	159, 426	YSFBBF30R	227	YSFSL493612	222
YR1XD3O	182	YROF	161, 183, 426	YSFC2D2536	285	YSFSL493618	222
YR1XD4	182	YRPHA18	158	YSFC2D2836	285	YSFSL494812	222
YR1XD4C	182	YRPHA30	158	YSFC2D4236	285	YSFSL494818	222
YR1XD4O	182	YRPHA42	158	YSFC2D4936	285	YSFSR423612	222
YR1XDA	182, 453	YRPHE12	158, 425, 451	YSFC2D5636	285	YSFSR423618	222
YR1XDAC	182, 453	YRPHE24	158, 425, 451	YSFC2D02536	285	YSFSR424812	222
YR1XDB	182, 453	YRPHT12	158, 425, 451	YSFC2D02836	285	YSFSR424818	222

<i>pattern no.</i>	<i>page</i>	<i>pattern no.</i>	<i>page</i>	<i>pattern no.</i>	<i>page</i>	<i>pattern no.</i>	<i>page</i>
YFSR493612	222	YSSDR4815	260	YSUSDL4815	259	YT6030	47
YFSR493618	222	YSSDR6015	260	YSUSDL6015	259	YT6036	48
YFSR494812	222	YSSDR7215	260	YSUSDL7215	259	YT6048	48
YFSR494818	222	YSSOF15L	243	YSUSDR3615	260	YT6608	53
YFWB30	231	YSSOF15V	244	YSUSDR4215	260	YT6618	46
YFWB36	231, 283	YSSOF21L	243	YSUSDR4815	260	YT6624	46
YFWDF30N	230	YSSOF21V	244	YSUSDR6015	260	YT6627	47
YFWDF36N	230	YSSOF24BL	243	YSUSDR7215	260	YT6630	47
YFWFF3018	230	YSSOF24BV	244	YSUSNDL3615	257	YT6636	48
YFWFF3024	230	YSSOF24L	243	YSUSNDL4215	257	YT6648	48
YFWFF30N	230	YSSOF24V	244	YSUSNDL4815	257	YT7208	53
YFWFF3618	230	YSSOF27BL	243	YSUSNDL6015	257	YT7218	46
YFWFF3624	230	YSSOF27BV	244	YSUSNDL7215	257	YT7224	46
YFWFF36N	230	YSSOF27L	243	YSUSNDR3615	258	YT7227	47
YSMOPDF18	233	YSSOF27V	244	YSUSNDR4215	258	YT7230	47
YSMOPDF24	233	YSSOF33BL	243	YSUSNDR4815	258	YT7236	48
YSMPDF18	233	YSSOF33BV	244	YSUSNDR6015	258	YT7248	48
YSMPDF24	233	YSSOF33L	243	YSUSNDR7215	258	YT7808	53
YSMUOS36	263	YSSOF33V	244	YSWMO3615	292	YT7818	46
YSMUOS42	263	YSSOS21L	243	YSWMO4215	292	YT7824	46
YSMUOS48	263	YSSOS21V	244	YSWMO4815	292	YT7827	47
YSMUOS60	263	YSSOS24BL	243	YSWMO6015	292	YT7830	47
YSMUOS72	263	YSSOS24BV	244	YSWMO7215	292	YT7836	48
YSMUSDL36L	264	YSSOS24L	243	YSWMS3615	292	YT7848	48
YSMUSDL42L	264	YSSOS24V	244	YSWMS4215	292	YT8408	53
YSMUSDL48L	264	YSSOS27BL	243	YSWMS4815	292	YT8418	46
YSMUSDL60L	264	YSSOS27BV	244	YSWMS6015	292	YT8424	46
YSMUSDL72L	264	YSSOS27L	243	YSWMS7215	292	YT8427	47
YSMUSDR36L	264	YSSOS27V	244	YT3018	46	YT8430	47
YSMUSDR42L	264	YSSPAD	234	YT3024	46	YT8436	48
YSMUSDR48L	264	YSSPF21	240	YT3027	47	YT8442	48
YSMUSDR60L	264	YSSPF21VL	241	YT3030	47	YT8448	48
YSMUSDR72L	264	YSSPF24	240	YT3036	48	YT9018	46
YSMUSOL36	263	YSSPF24B	240	YT3048	48	YT9024	46
YSMUSOL42	263	YSSPF24BVL	241	YT3618	46	YT9027	47
YSMUSOL48	263	YSSPF24VL	241	YT3624	46	YT9030	47
YSMUSOL60	263	YSSPF27	240	YT3627	47	YT9036	48
YSMUSOL72	263	YSSPF27B	240	YT3630	47	YT9048	48
YSMUSOR36	263	YSSPF27BVL	241	YT3636	48	YT9618	46
YSMUSOR42	263	YSSPF27VL	241	YT3648	48	YT9624	46
YSMUSOR48	263	YSSPF33	240	YT4218	46	YT9627	47
YSMUSOR60	263	YSSPF33B	240	YT4224	46	YT9630	47
YSMUSOR72	263	YSSPF33BVL	241	YT4227	47	YT9636	48
YSWMO36	294	YSSPF33VL	241	YT4230	47	YT9648	48
YSWMO42	294	YSUES3615	257	YT4236	48	YTD4818	51
YSWMO48	294	YSUES4815	257	YT4242	48	YTD4824	51
YSWMO60	294	YSUOP24	266	YT4248	48	YTD4827	51
YSWMO72	294	YSUOP30	266	YT4808	53	YTD4830	52
YSMWMS36L	294	YSUOP36	266	YT4818	46	YTD4836	52
YSMWMS42L	294	YSUOP48	266	YT4824	46	YTD5418	51
YSMWMS48L	294	YSUOP60	266	YT4827	47	YTD5424	51
YSMWMS60L	294	YSUOP72	266	YT4830	47	YTD5427	51
YSMWMS72L	294	YSUOS3615	257	YT4836	48	YTD5430	52
YSSD3615	292	YSUOS4215	257	YT4848	48	YTD5436	52
YSSD4215	292	YSUOS4815	257	YT5408	53	YTD6018	51
YSSD4815	292	YSUOS6015	257	YT5418	46	YTD6024	51
YSSD6015	292	YSUOS7215	257	YT5424	46	YTD6027	51
YSSD7215	292	YSUS2BT	268	YT5427	47	YTD6030	52
YSSDL3615	259	YSUS2F25	268	YT5430	47	YTD6036	52
YSSDL4215	259	YSUS2F28	268	YT5436	48	YTD6618	51
YSSDL4815	259	YSUS3BT	268	YT5448	48	YTD6624	51
YSSDL6015	259	YSUS3F25	268	YT6008	53	YTD6627	51
YSSDL7215	259	YSUS3F28	268	YT6018	46	YTD6630	52
YSSDR3615	260	YSUSDL3615	259	YT6024	46	YTD6636	52
YSSDR4215	260	YSUSDL4215	259	YT6027	47	YTD7218	51

<i>pattern no.</i>	<i>page</i>	<i>pattern no.</i>	<i>page</i>	<i>pattern no.</i>	<i>page</i>	<i>pattern no.</i>	<i>page</i>
YTD7224	51	YTH7218	49	YTSS7818N(L/V)	356	YTT8424	362
YTD7227	51	YTH7224	49	YTSS7824N(L/V)	356	YTT8427	362
YTD7230	52	YTH7227	49	YTSS7827N(L/V)	357	YTT8430	362
YTD7236	52	YTH7230	50	YTSS7830N(L/V)	357	YTT88	59
YTD7818	51	YTH7236	50	YTSS7836N(L/V)	357	YTT89	59
YTD7824	51	YTH7818	49	YTSS84	359	YTT94	59
YTD7827	51	YTH7824	49	YTSS8418N(L/V)	356	YTT95	59
YTD7830	52	YTH7827	49	YTSS8424N(L/V)	356	YTTE18	60
YTD7836	52	YTH7830	50	YTSS8427N(L/V)	357	YTTE24	60
YTD8418	51	YTH7836	50	YTSS8430N(L/V)	357	YTTE30	60
YTD8424	51	YTH8418	49	YTSS8436N(L/V)	357	YTTE36	60
YTD8427	51	YTH8424	49	YTT24	59	YTTE42	60
YTD8430	52	YTH8427	49	YTT30	59	YTTE48	60
YTD8436	52	YTH8430	50	YTT36	59	YTTE60	60
YTDVC24484824	57	YTH8436	50	YTT42	59	YTTE66	60
YTDVC24545424	57	YTHVC24484824	57	YTT47	59	YTTE72	60
YTDVC24606024	57	YTHVC24545424	57	YTT4724	360	YTTE78	60
YTDVC27484827	57	YTHVC24606024	57	YTT4727	360	YTTE84	60
YTDVC27545427	57	YTHVC27484827	57	YTT4730	360	YTTE87	60
YTDVC27606027	57	YTHVC27545427	57	YTT48	59	YTTE90	60
YTDVSV24484824	57	YTHVC27606027	57	YTT4824	362	YTTE96	60
YTE1524	54	YTHVS24484824	57	YTT4827	362	YTTM23	60
YTE1527	54	YTSS36	359	YTT4830	362	YTTM29	60
YTE1530	54	YTSS3618N(L/V)	356	YTT53	59	YTTM35	60
YTE1531	54	YTSS3624N(L/V)	356	YTT5324	360	YTTM41	60
YTE1536	54	YTSS3627N(L/V)	357	YTT5327	360	YTTM47	60
YTE1537	54	YTSS3630N(L/V)	357	YTT5330	360	YTTR3024	363
YTE1539	54	YTSS3636N(L/V)	357	YTT5424	362	YTTR3027	363
YTE1540	54	YTSS42	359	YTT5427	362	YTTR3030	363
YTE1541	54	YTSS4218N(L/V)	356	YTT5430	362	YTTR3624	363
YTE1543	54	YTSS4224N(L/V)	356	YTT59	59	YTTR3627	363
YTE1549	54	YTSS4227N(L/V)	357	YTT5924	360	YTTR3630	363
YTE1552	54	YTSS4230N(L/V)	357	YTT5927	360	YTTR4224	363
YTE1553	54	YTSS4236N(L/V)	357	YTT5930	360	YTTR4227	363
YTE1558	54	YTSS48	359	YTT6024	362	YTTR4230	363
YTE1559	54	YTSS4818N(L/V)	356	YTT6027	362	YTTR4824	363
YTE1564	54	YTSS4824N(L/V)	356	YTT6030	362	YTTR4827	363
YTE1565	54	YTSS4827N(L/V)	357	YTT65	59	YTTR4830	363
YTE1576	54	YTSS4830N(L/V)	357	YTT6524	360	YTTR5424	363
YTE1577	54	YTSS4836N(L/V)	357	YTT6527	360	YTTR5427	363
YTE1841	54	YTSS54	359	YTT6530	360	YTTR5430	363
YTE1853	54	YTSS5418N(L/V)	356	YTT6624	362	YTTR6024	363
YTE1859	54	YTSS5424N(L/V)	356	YTT6627	362	YTTR6027	363
YTE1865	54	YTSS5427N(L/V)	357	YTT6630	362	YTTR6030	363
YTE1877	54	YTSS5430N(L/V)	357	YTT70	59	YTTR6624	363
YTH4818	49	YTSS5436N(L/V)	357	YTT71	59	YTTR6627	363
YTH4824	49	YTSS60	359	YTT7124	360	YTTR6630	363
YTH4827	49	YTSS6018N(L/V)	356	YTT7127	360	YTTR7224	363
YTH4830	50	YTSS6024N(L/V)	356	YTT7130	360	YTTR7227	363
YTH4836	50	YTSS6027N(L/V)	357	YTT7224	362	YTTR7230	363
YTH5418	49	YTSS6030N(L/V)	357	YTT7227	362	YTTVC4724	361
YTH5424	49	YTSS6036N(L/V)	357	YTT7230	362	YTTVC4727	361
YTH5427	49	YTSS66	359	YTT76	59	YTTVC4730	361
YTH5430	50	YTSS6618N(L/V)	356	YTT77	59	YTTVC5324	361
YTH5436	50	YTSS6624N(L/V)	356	YTT7724	360	YTTVC5327	361
YTH6018	49	YTSS6627N(L/V)	357	YTT7727	360	YTTVC5330	361
YTH6024	49	YTSS6630N(L/V)	357	YTT7730	360	YTTVC5924	361
YTH6027	49	YTSS6636N(L/V)	357	YTT7824	362	YTTVC5927	361
YTH6030	50	YTSS72	359	YTT7827	362	YTTVC5930	361
YTH6036	50	YTSS7218N(L/V)	356	YTT7830	362	YTV24484824	57
YTH6618	49	YTSS7224N(L/V)	356	YTT82	59	YTV24545424	57
YTH6624	49	YTSS7227N(L/V)	357	YTT83	59	YTV24606024	57
YTH6627	49	YTSS7230N(L/V)	357	YTT8324	360	YTV27484827	57
YTH6630	50	YTSS7236N(L/V)	357	YTT8327	360	YTV27545427	57
YTH6636	50	YTSS78	359	YTT8330	360	YTV27606027	57

<i>pattern no.</i>	<i>page</i>
YTVS24484824	57
YTWSHK118	61
YTWSHK124	61
YTWSHK130	61
YTWSHK136	61
YTWSHK142	61
YTWSHK148	61
YTWSHK160	61
YTWSHK172	61
YTWSHK218	61
YTWSHK224	61
YTWSHK230	61
YTWSHK236	61
YTWSHK242	61
YTWSHK248	61
YTWSHK260	61
YTWSHK272	61

# Selling Policy

---

	<p>This Selling Policy supercedes all previous selling policies. Prices, discounts and product offerings are subject to change without notice.</p>
<b>Terms &amp; Conditions of Sales</b>	<p>Sales by Knoll, Inc. or Knoll North America Corp. ("Seller") of Knoll Product Lines (hereinafter "Products") within the United States and Canada are made only on the terms which are contained in this Selling Policy. Seller hereby gives notice of its objection to any different or additional terms and conditions. This sale is expressly conditional upon Purchaser's assent to the terms and conditions set forth below. Additional terms and conditions may apply to KnollStudio and KnollTextiles orders. These terms and conditions may be modified or supplemented only by a written document signed by an authorized representative of Seller. These terms and conditions supercede any prior and/or contemporaneous agreements or correspondence between Purchaser and Seller. Written quotations expire thirty (30) days from the date of issuance and can be withdrawn by written notice anytime during that period. Where Purchaser and Seller have entered into the Knoll Electronic Terms and Conditions, all orders, acknowledgements, invoices and other business communications placed or transmitted in accordance with the Knoll Electronic Terms and Conditions shall be deemed to be in writing and signed and shall be valid for all purposes as if they were originated and maintained in documentary form.</p>
<b>Ordering Information</b>	<p>All orders must be in writing. The product pattern number(s) contained on Seller's order acknowledgement shall be the final expression of the order.</p>
<b>Order Confirmation</b>	<p>A purchase order is not binding on Seller until Purchaser has received Seller's order confirmation or acknowledgment.</p>
<b>Pricing Policies</b>	<p>List prices are subject to change without notice.</p> <p>List prices shall be those prices in effect on the date of receipt of a complete purchase order unless shipment is requested more than ninety (90) days after order entry in which case prices in effect on the date of shipment apply. List prices include specified freight costs. Unless specified in writing by Seller, no other charges are included in Seller's list prices.</p>
<b>Taxes</b>	<p>All sales, use, excise and other taxes applicable to the sale of the Products shall be paid by Purchaser. If Purchaser claims an exemption from any tax, Purchaser shall submit to Seller the appropriate exemption certificates.</p>
<b>Terms of Payment</b>	<p>Payment for one hundred percent (100%) of the net order amount is due within thirty (30) days of the date of invoice, which is generally issued upon shipment. In case of any discrepancies, such as shortages, and Seller is notified in writing within ten (10) days of receipt of Product, only that portion may be deducted and the balance paid. For orders greater than \$100,000 net, a fifty percent (50%) deposit is due at the time of order placement, with the remainder due within thirty (30) days of the date of invoice.</p> <p>KnollStudio orders less than \$2,000 require payment for one hundred percent (100%) of the net order amount (including any applicable sales tax and charges for inside delivery, special packaging, etc.), due at time of order placement. For KnollStudio orders greater than \$2,000, a one-half (50%) deposit is due at time of order placement with the remainder (including any applicable sales tax and charges for inside delivery, special packaging, etc.) due prior to shipment.</p> <p>If, in the judgment of Seller, Purchaser's financial condition does not justify the terms of the payment, Seller may require full or partial payment in advance.</p> <p>Past due accounts shall be charged one and one-half percent (1.5%) per month, or the highest rate permitted by law, whichever is less, and will be added to the outstanding balance. In the event Purchaser defaults on payment, Purchaser shall be liable for all collection costs, including reasonable attorney's fees and costs.</p>
<b>Changes and Cancellation</b>	<p>Purchase orders may not be changed or cancelled, in whole or in part, without prior written consent of Seller. Changes may effect delivery dates. Expenses incurred because of changes shall be charged to Purchaser. In the event of cancellations, Purchaser will be liable for reasonable cancellation charges established by Seller. Orders for special Product, orders including "COM" (hereinafter defined) material and orders pursuant to expedited delivery programs, may not be canceled.</p>
<b>Freight Prepaid</b>	<p>Freight is prepaid and included in the price of all Products, except KnollTextiles, within the 48 contiguous United States for orders placed with Knoll, Inc. and within Canada, excluding the Yukon, Northwest Territories, Nunavut and Newfoundland for orders placed with Knoll North America Corp. Packing is tested for rigorous motion and transportation but is not guaranteed to protect furniture from all conditions. If special packaging is required for any reason, please consult with your sales representative or dealer. Seller shall select the method of shipment and routing. Freight for all KnollTextiles orders is prepaid and added to the invoice.</p>
<b>Delivery/Freight Charges</b>	<p>Shipments outside the contiguous 48 United States and Canada shall be shipped F.O.B. Origin.</p> <p>For shipments outside the contiguous United States and Canada, Purchaser is responsible for the cost of freight from point of embarkation, including any handling and transportation charges incidental to loading at the point of departure and unloading at the final destination.</p> <p>Conditions beyond the control of Seller, including weather, available facilities and traffic conditions, may affect exact time of delivery. Seller shall not be responsible for specific carrier delivery date or time unless it has made a specific delivery commitment, in writing.</p> <p>Nonstandard methods of shipment and/or additional services are available upon request. Purchaser will be billed for the differential cost of any special services in excess of standard surface carrier freight costs. Premium charges, at Purchaser's request, will be added for airfreight, exclusive use of vehicle and extra, export or special packaging. Accessorial charges will be added for inside delivery, extra labor, reconsignment and redelivery.</p> <p>Partial shipments may be made and invoiced by Seller.</p>
<b>Claims</b>	<p>All shipments for Knoll Products within the contiguous United States and Canada are F.O.B. Origin. All risk of loss passes to Purchaser at time of delivery to carrier. Purchaser shall inspect all Products upon receipt and notify Seller within ten (10) working days after receipt of any damage or defects which are, or should be, apparent from an inspection of the Product and its packaging. Failure of Purchaser to notify Seller during the ten (10) working day period shall constitute acceptance of the Products and waiver of any apparent defects, errors or shortages. For all claims relating to Product damaged in transit or for any other claims relating to or arising out of the transportation of the Product, Purchaser must seek recovery from the carrier and Seller has no liability to Purchaser for such claims. Seller may, upon request, assist Purchaser with filing of such claims with the carrier, but Seller will not be liable for any of these transportation related claims.</p>
<b>Seller's Security Interest</b>	<p>Until Seller receives the full payment for the Product, Seller shall have a security interest in the Product. Purchaser agrees to perform all acts, including but not limited to the execution and filing of documentation, which may be necessary to perfect and assure the security interest of Seller.</p>
<b>Returns</b>	<p>The return of Products without a written authorization by Seller shall not be accepted. To receive authorization for Product return, please call Customer Service. All Products that are returned pursuant to a valid authorization shall be subject to a twenty-five percent (25%) of list restocking charge. Products not currently offered for sale by Seller (including COM) shall not be authorized for return. All returned Products must be unused, in original condition and in the original Seller packing cartons. No refund or credit shall be given for damaged Products.</p>
<b>Held Orders/Storage</b>	<p>If Purchaser requests that an order be held or delayed, prices and terms and conditions in effect at the time of shipment shall apply. If Purchaser requests a delay after the time when Seller can defer production, Purchaser will be invoiced for the Product, payable in accordance with standard terms, when the order is ready for shipment. Seller may transfer the Product to storage, in which case all expenses incurred in connection with storage, including demurrage, preparation for storage, storage charges and handling shall be payable by Purchaser upon submission of invoices by Seller. Risk of loss to the Product shall pass to the Purchaser upon delivery of the Product into storage.</p>



# Selling Policy

<b>Customer's Own Material</b>	A Purchaser who requests a fabric or other surface material not standard to Seller's line of Products ("COM") must submit samples of the requested material to Seller prior to entry of a purchaser order. Seller shall determine if the material is suitable to its manufacturing processes and meets any requirements of Underwriters Laboratories. If the COM is acceptable, Seller will then establish a price for using the COM or the Product in question. For a description of the procedures for submitting samples and testing, contact customer resources or your sales representative. Seller shall have no responsibility for the appearance, condition, performance, durability, colorfastness or any other physical attribute of the COM. Purchaser shall indemnify and hold Seller harmless for any damages, injuries or losses arising out of or related to use of the COM on the Product.
<b>Warranty</b>	<p>Seller warrants to the original Purchaser only that the Products Seller manufactures and sells to Purchaser are free of defects in workmanship and materials, during the applicable warranty period set forth below.</p> <p>Warranty period set forth below is for 24-hour, 7 days a week, multi shift use (includes parts and labor to repair).</p> <p>Should any failure to conform with this limited warranty appear to a Product listed below during the applicable warranty period from the date of shipment, Seller shall, upon prompt written notice, repair or replace, at its option and costs, the affected part or parts.</p> <p><i>Product and Period of Warranty</i></p> <p><i>Lifetime: Antenna Workspaces, AutoStrada, Calibre, Crinion Open Table, Currents, Dividends Horizon, Morrison, Reff Profiles laminate, Rockwell Unscripted, Series 2 Storage, Template and other non-wood components (except cascade edge worksurfaces, operational parts, controls, electrical, Lighting, Series 2 Veneer Front Storage, upholstery, textiles and leathers, special or custom products, see below)</i></p> <p><i>12 Years: Chadwick, Essentials Work Chairs, Generation by Knoll, k. task, Life, Moment, MultiGeneration by Knoll, ReGeneration by Knoll, Remix, and Toboggan seating (except seating upholstery, textiles, leathers and finishes, see below).</i></p> <p><i>10 Year: Anchor Storage except digital keypad lock, Antenna Workspaces, AutoStrada, Crinion Open Table, Dividends Horizon, Dividends Horizon Satellite Surfaces, Reff Profiles, Rockwell Unscripted, Template wood components, Series 2 Veneer Front Storage, cascade edge worksurfaces, Wood Casegoods (The Graham Collection) (except wood casegoods upholstered surfaces, see below), Reuter overheads, Reuter vertical storage, KnollExtra Sapper Monitor Arm Collection, Sapper XYZ Monitor Arm Series, Adjustable keyboard mechanisms and platforms, Communication Boards (except fabric board textiles, cork and FilzFelt, see below), Smokador collection (except leathers, see below), Orchestra Universal Systems Accessories, k. lounge structural components, KnollStudio Pixel and Propeller, Tone bases.</i></p> <p><i>5 Years: Operational parts, controls, electrical, Lighting (except light ballasts, bulbs and power supply, see below), special or custom product, wood veneer products and plywood, Currents handcrank, KnollStudio, Rockwell Unscripted wire bases, Spark Series seating structural elements, structural elements of all KnollStudio outdoor products including all Richard Schultz designed products, KnollExtra CPU holders and all universal storage drawers and Power Collection, k. bench (except changes in finish, see below), k. stand bases (except changes in finish, see below) and HiLo.</i></p> <p><i>3 Years: Rockwell Unscripted upholstery (except textiles and leather), Office Seating upholstery, textiles, leathers and finishes. Fabric boards textiles and Smokador Collection leathers, KnollExtra Pop Up Screens.</i></p> <p><i>2 Years: Anchor Storage digital keypad lock, all other KnollExtra product</i></p> <p><i>1 Year: Light ballasts, bulbs and power supply, seating upholstered armpads and soft armpads, wood casegoods upholstered surfaces. KnollStudio, outdoor product finishes, k. lounge upholstery and k. lounge fabric. Rockwell Unscripted fabric and accessories.</i></p> <p>This warranty does not apply to:</p> <ul style="list-style-type: none"><li>• Damage caused by a carrier other than the Seller.</li><li>• Normal wear and tear or acts or omissions of parties other than Seller (including user modification, improper use or installation of Products).</li><li>• COM or other third party materials applied to Products.</li><li>• Products not installed by or under the auspices of a Knoll Dealer.</li><li>• Dramatic temperature variations or exposure to unusual conditions.</li><li>• Changes in surface finishes, including colorfastness due to aging or exposure to light.</li><li>• Except as specifically noted above, textiles and upholstery supplied by KnollTextiles and Spinneybeck FilzFelt (consult current price lists for applicable warranties).</li></ul> <p>Natural variations occurring in wood, marble, and leather shall not be considered defects, and the Seller does not guarantee the colorfastness or matching of the colors, grains or textures, or surface hardness of such materials. The Seller also does not guarantee the colorfastness of fiberglass panel surfaces.</p> <p>THE EXPRESS WARRANTIES CONTAINED HEREIN ARE IN LIEU OF ALL OTHER WARRANTIES, EXPRESS OR IMPLIED, INCLUDING ANY WARRANTIES OF MERCHANTABILITY AND FITNESS FOR PARTICULAR PURPOSE AND ALL OTHER WARRANTIES ARISING FROM COURSE OF DEALING OR USAGE OF TRADE.</p> <p>The remedies provided above are the Purchaser's sole remedies for any failure of Seller to comply with its obligations regarding the workmanship of its Products. Correction of any nonconformity in the manner and for the period of time provided shall constitute complete fulfillment of all liabilities of Seller, with respect to or arising out of the Product furnished hereunder.</p>
<b>Delay/Force Majeure</b>	Seller shall not be liable for failure to perform or for delay in performance due to fire, flood, strike or other labor difficulty, act of God, act of war or terrorism, act of any governmental authority or of the Purchaser, riot, embargo, fuel or energy shortage, wrecks or delay in transportation, inability to obtain necessary labor, materials or manufacturing facilities from usual sources or failure of suppliers to meet their contractual obligations, or due to any cause beyond its reasonable control. If any such event occurs, Seller may extend delivery dates by a period of time necessary to overcome the effect of such delay, allocate available Product or cancel any purchase order.
<b>Compliance with Law</b>	PURCHASER IS SOLELY RESPONSIBLE FOR COMPLIANCE WITH ALL APPLICABLE FEDERAL, STATE AND LOCAL LAWS, ORDINANCES, REGULATIONS, RULES AND STANDARDS RELATING TO THE INSTALLATION, MAINTENANCE, USE AND OPERATION OF THE PRODUCTS.
<b>Patents</b>	<p>Subject to the following provisions, Seller shall, at its own expense, defend or, at its option, settle any claim, suit or proceeding brought against the Purchaser, and/or its vendees, mediate and immediate, so far as based on an allegation that any Product or any part thereof furnished hereunder constitutes a direct or a contributory infringement of any claim of any patent of the United States or Canada. This obligation shall be effective only if Purchaser shall have made all payments then due hereunder and if Seller is notified promptly in writing and given authority, information and assistance for the defense of said claim, suit or proceeding. Seller shall pay all damages and costs awarded in such suit or proceedings so defended.</p> <p>The foregoing indemnity does not apply to the following:</p> <ul style="list-style-type: none"><li>• Products supplied according to a design other than that of Seller, and which is required by the Purchaser.</li><li>• Combination of the Product with another product not furnished hereunder unless Seller is a contributory infringer.</li><li>• Any settlements of a suit or proceeding made without Seller's written consent.</li></ul>
<b>Limitations of Liability</b>	<p><b>SELLER, ITS CONTRACTORS, AUTHORIZED DEALERS AND SUBCONTRACTORS OR SUPPLIERS OF ANY TIER SHALL NOT BE LIABLE TO PURCHASER FOR ANY SPECIAL, INDIRECT, INCIDENTAL OR CONSEQUENTIAL DAMAGES ARISING FROM A BREACH OF THIS AGREEMENT.</b></p> <p>Purchaser's remedies set forth herein are exclusive and the liability of Seller with respect to the breach of this agreement or any contract entered into between the parties pursuant hereto shall not exceed the price of the Product or part on which such liability is based.</p>

# KnollKey Lock Program

## KnollKey Lock Program General Information

Following is the KnollKey lock policy, applicable to all products.

Knoll furniture can be ordered keyed-alike or random keyed. Key-alike and random keying instructions cannot be mixed on any single order. Only one of the two instructions can be used on an individual order. When an order is submitted with mixed (key-alike and random) instructions, Knoll will release the order as key-alike only and lock cores will have to be specified separately.

### Key-alike

For the convenience of the user, furniture may be keyed alike at no charge. Write "Key-alike" in the description of your purchase order for any pedestal, overhead, file or other item you wish to have keyed alike.

Using the key-alike instructions, order cores and keys as line items on your purchase order. Do NOT submit a key-alike form. The Knoll East Greenville Lock Center will select key numbers from the standard range of K 001 - K 250. Key numbers will not be repeated unless over 250 sets are ordered. Lock cores keyed-alike will ship separately from the product, ready for field installation.

There is no charge for key-alike orders if placed with the furniture order.

**IF THE KEY-ALIKE ORDER IS NOT PLACED AT LEAST TWO WEEKS PRIOR TO THE FURNITURE SHIP DATE, A \$50 HANDLING CHARGE AND AIR FREIGHT CHARGES WILL APPLY.**

**If product is ordered and shipped random-keyed, additional lock cores for key-alike are billable.**

### Random-Keying

To specify product keyed-random, write "key-random" in the product description. Random-keyed product is shipped with the lock core factory installed. A shrouded key is included. Random means no effort has been made to match key numbers, or to make them different.

### Keys

A Knoll shrouded key is shipped with every lock core. 250 Key numbers are available. For numbers above 250, contact Custom Product Development. Additional keys and key blanks are available. See service parts for more information.

### Master Keying

Knoll locks can be controlled by means of a master key. There is no additional per-lock charge for master keying. A letter of approval from the client must accompany orders for master keys.

### Installing Lock Cores

Lock cores can be installed or removed in the field by using a change key. Cores must be in the unlocked position to be removed. See service parts for change key pattern number and pricing.

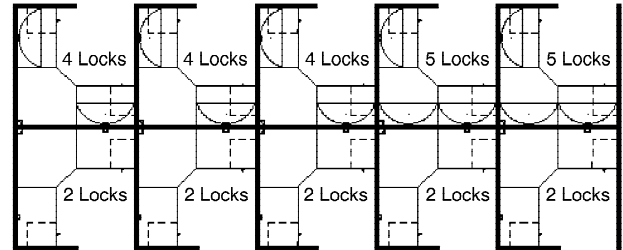
### Lock Distribution

All orders for key-alike lock cores/keys are packaged and shipped from the East Greenville Lock Center, regardless of where the pedestals, overhead, or other units are produced. Random keyed product will have cores factory-installed.

## How to Specify Key-Alike

Following is an example of how to specify key-alike for a cluster of 10 workstations.

**Step 1** - Using the project floorplan, count the number of locks in each workstation.



**Step 2** - Count the number of workstations with the same quantity of locks. Group together the workstations with a like number of locks.

5 workstations with 2 locks per station  
3 workstations with 4 locks per station  
2 workstations with 5 locks per station

**Step 3** - For the first group (5 sets of 2 locks), enter the number of workstations in the quantity column.

Qty	Pattern #	Description	Unit List	Ext. List
5				

**Step 4** - Then enter the pattern number "KSPEC\_ \_" and add a suffix for the number of locks for that group (i.e., for 2 locks per station, add the suffix "2"). Up to 30 lock cores are available in a set (i.e., KSPEC 30).

Qty	Pattern #	Description	Unit List	Ext. List
5	KSPEC 2	Set of 2 cores/keys	N / C	N / C

**Step 5** - Repeat for other groups.

Qty	Pattern #	Description	Unit List	Ext. List
5	KSPEC 2	Set of 2 cores/keys	N / C	N / C
3	KSPEC 4	Set of 4 cores/keys	N / C	N / C
2	KSPEC 5	Set of 5 cores/keys	N / C	N / C

Your Key instructions are complete.

Knoll will select key numbers for each set from 250 available numbers. Additional key numbers are available through Custom Product Development. **For additions to existing installations, specify desired key numbers in the description.**

## Service Parts

Pattern #	Description	List Price
KKEY_ _ _	Shrouded Key Specify key number desired	\$10
KBLANK	Shrouded Key Blank	\$10
KSPECB_ _ _	Retrofit Universal Core/Key Specify key number desired	\$22
KCHANGE	Change Key	\$10
HLKRKMASTER*	Master Key	\$10

\*Note: A letter of approval on company letterhead from the client must accompany all orders for master keys.

# General Ordering Information

---

## **The Products**

This guide encompasses all standard products for this product group.

## **Sizes**

Dimensions listed in this guide are indicated as:

H = height

W = width

D = depth

Dia. = diameter

Rad. = radius

## **Pricing**

All prices shown are list.

## **How to Order**

Select pattern numbers and quantities required for your complete installation. Product questions can be addressed in the specific sections of this guide or by contacting your sales representative or customer resource representative at 1-800-343-5665.

Next, select options (if required), along with colors and finishes appropriate to each product. Reference the Finishes and Fabrics pages for color designations.

On large installations, an item's "designated area" can be specified to assist in product organization and handling.

To expedite complete / correct entry of your order, be certain all pattern numbers, quantities, colors and area identifications are completely specified. Also, include complete purchase order numbers, bill-to and ship-to addresses, a contact name and specific factory shipping dates required.

## **Mail all orders to:**

Knoll, Inc.

1235 Water Street

P.O. Box 157

East Greenville, PA 18041

Attention: Order Entry

Once your order is entered at Knoll, an acknowledgment will be mailed to you. You will be advised of your scheduled shipping date within five days of the original acknowledgment. If it is necessary to revise your order, please contact your customer resource representative.

## Sustainability Statement

---

Sustainable design is a key component of Knoll's environmental focus. Our commitment to social responsibility and a healthy environment has prompted us to further articulate our longstanding environmental programs and, with encouragement and support from our colleagues in the industry, we have re-energized our focus on such "green" initiatives as life cycle analysis and LEED™ certification. Knoll is proud to have contributed to projects that have received LEED certification from the U.S. Green Building Council.

For the latest information on Knoll products that help our customers achieve LEED certification, log on to [knoll.com](http://knoll.com), click on "About Knoll" and then "Environmental Focus."