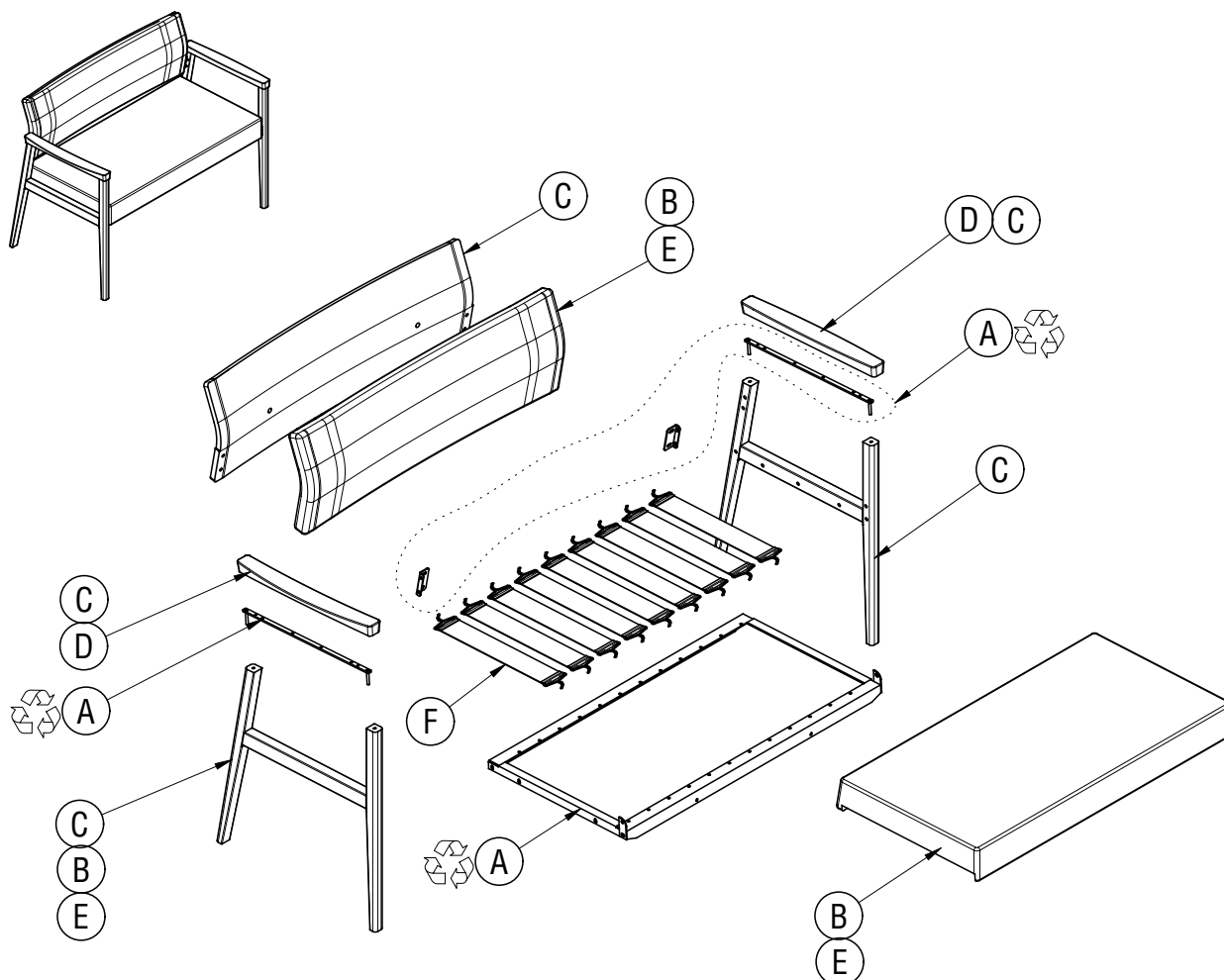


Disassembly Instructions



Bariatric Seating: Affina, Briar, Flex, Perth, Soltice, Three

Material Type: A. Steel B. Foam C. Wood D. Coated Steel E. Fabric F. Elastic Banding



Procedure:

1. Cut and remove backrest fabric and scrape or remove foam from backrest board to expose fasteners and disassemble.
2. Remove the backrest board and brackets from the legs.
3. Peel back or cut fabric on the bottom of the chair to expose the fasteners for the seat frame. Remove all hardware that attaches the steel seat frame to the legs. Set the seat frame and foam aside.
4. Remove any glides or pads from chair leg bottoms.
5. Remove any hardware that holds the armcaps. If there is no hardware, strike armcap sharply upward to break any glue joints or to loosen compression dowels.
6. Remove any remaining metal brackets or hardware.
7. Cut or remove the fabric and scrape foam from the seat frame. Unhook any elastic banding and remove from the steel frame.
8. If closed arm panels are present, remove fabric and scrape off any thin foam.

General Notes:

1. Disassembly time: 15-20 minutes.
2. This procedure assumes basic familiarity with hand tools and furniture terminology: no specialized training is required
3. All materials removed and disassembled shall be sorted and segregated with like materials and disposed of or recycled according to recycling availability or waste acceptance
4. For items to be recycled, refer to KI's End of Life Recycling Matrix and KI's End of Life Recovery Options Matrix, available at www.ki.com

All fasteners not explicitly tagged or shown are Material Type A: Steel

Required Tools							
Safety Glasses	Gloves	Claw Hammer	Robertson Screwdriver	Phillips Screwdriver	Utility Knife	Putty Knife	Combination Wrench